

# CHAPTER 20

## PARTS

---

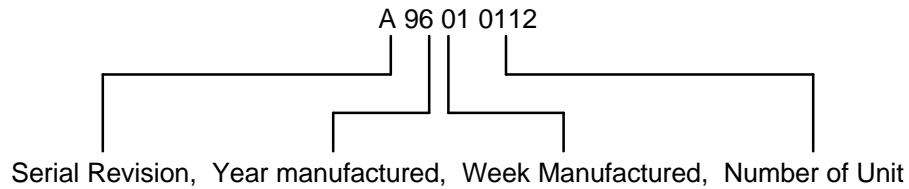
### GENERAL

This chapter describes assemblies, subassemblies, and parts considered replaceable at on site field installations.

Serial number location is in the back upper left hand corner of the unit.

Serial Number breakdown is as follows:

Example:

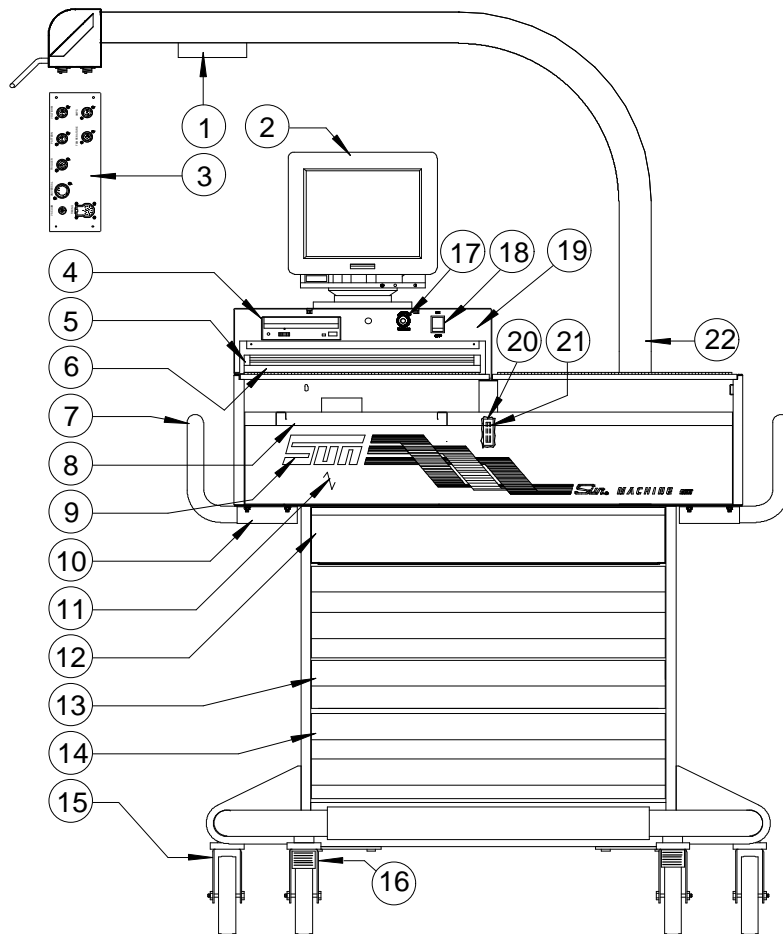


**NOTE: NOTE: *The Sun Machine 500 circuit boards are not being purchased preconfigured. The configuration of all circuit boards must be checked before placement into the unit.***

**NOTE: NOTE: *Within the parts descriptions there are two abbreviations that are being used, one of them is WA = Weld Assembly the other is WH = Wiring Harness.***

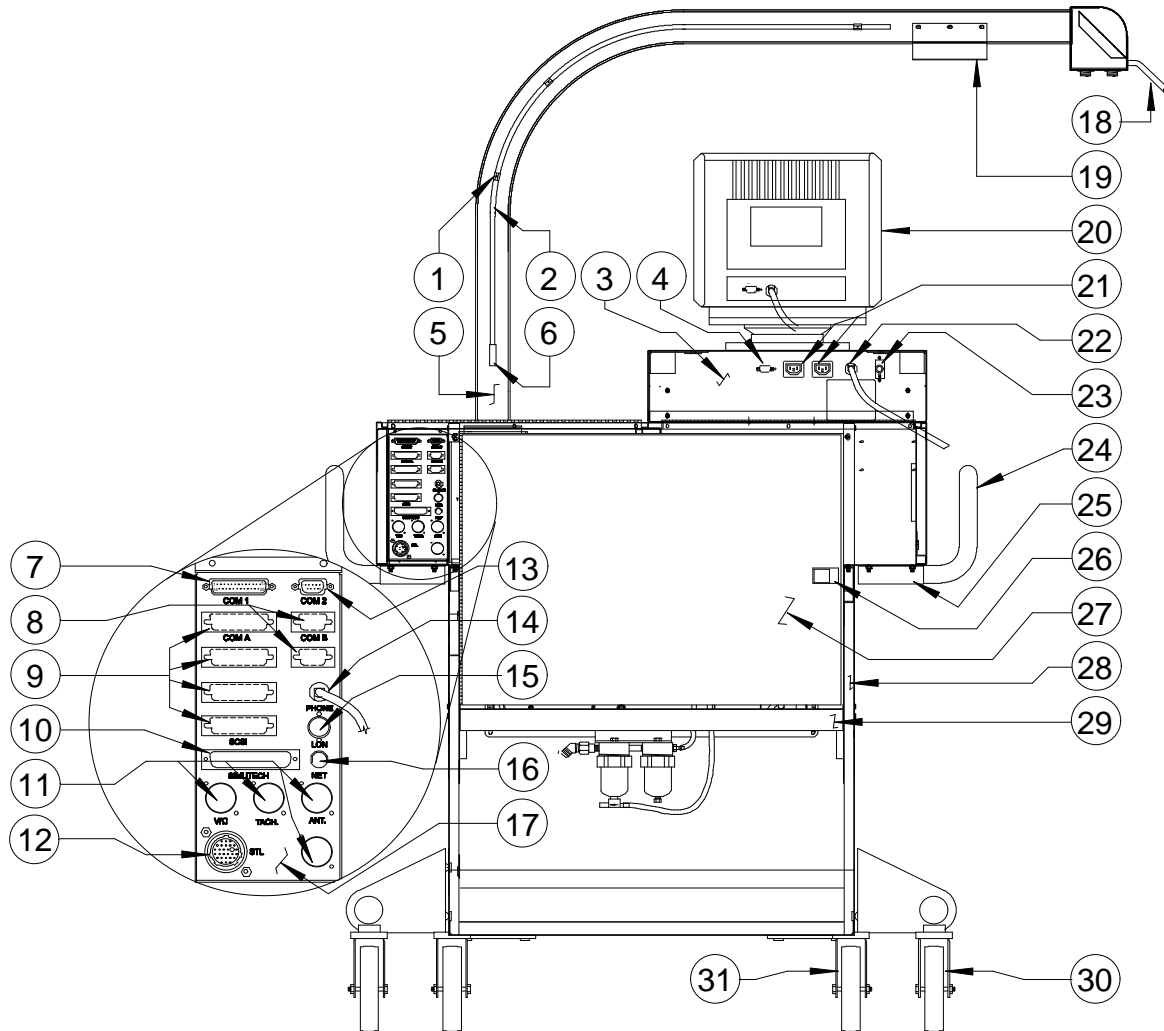
**PARTS BY PICTORIAL**

**FRONT VIEW**



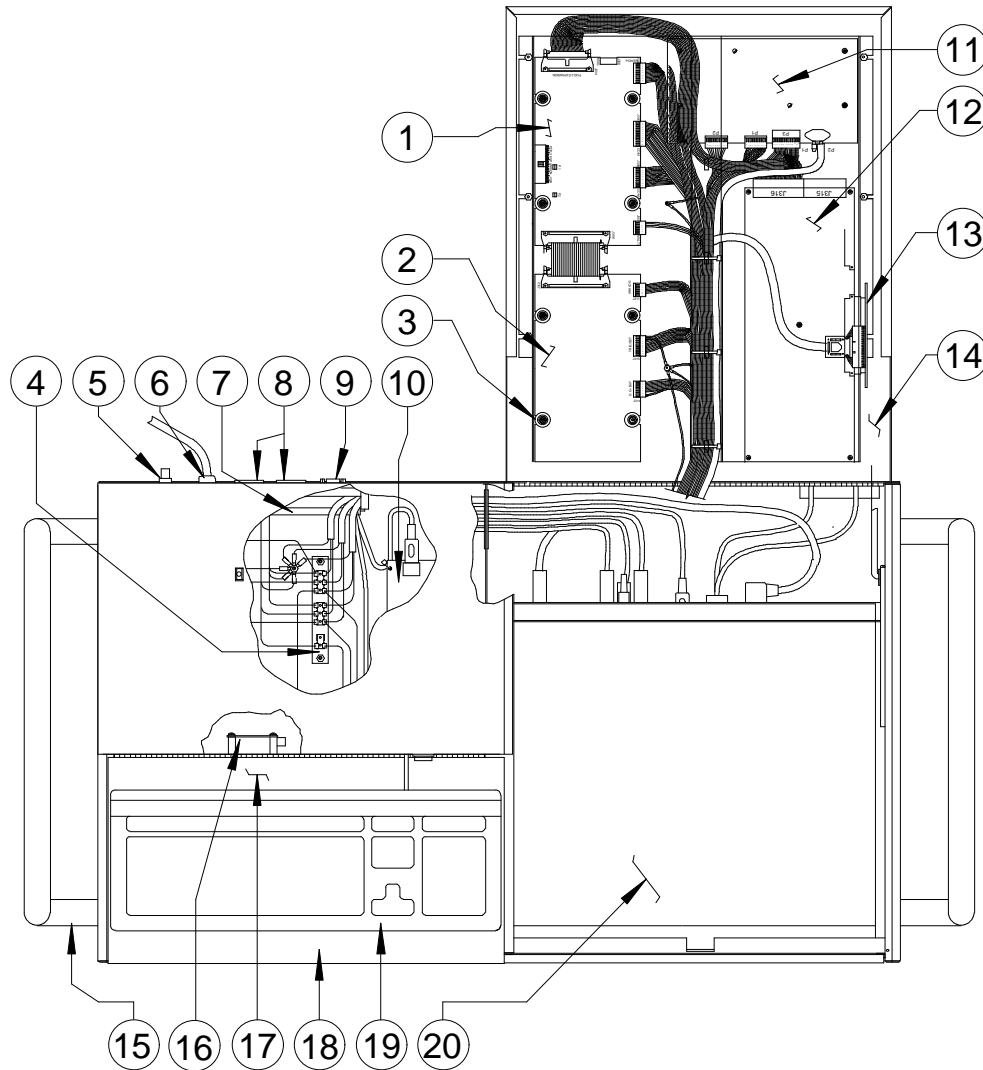
ITEM	DESCRIPTION	PART NUMBER	ITEM	DESCRIPTION	PART NUMBER
1	Holder, Timing Light	EASC029C94A	9	Label Unit Designation	EAL0125C00A
2a	Monitor, 15"	0859-0469-01	10	Bracket, Cabinet Handle	EASC029C82A
2b	Monitor, 17"	0859-0468-01	11	WA, Top Front Door	EASC027C30A
3a	Plate, Boom Connector	EASY028C45A	12	WA, Top Drawer 4 1/2"	EASC026C20A
3b	PCB, Pod Input	7001-2214-03	13	WA, Storage Drawer 3 5/8"	EASC029C40A
3c	PCB, Pod2 Input	7001-2237-02	14	WA, Storage Drawer 6 1/2"	EASC029C30A
3d	WH, Timing Light Adapter	EAW0062C00A	15	Caster Non Locking	3645-0057-01
3e	Fitting, Nipple, Vacuum	2209	16	Caster Locking	3645-0057-02
4a	Disk Drive, CD ROM	0552-0946-08	17a	Valve Assembly, Vacuum	7009-1430
4b	Bezel kit, Black	EAK0047C00A	17b	Knob	0758-0206-01
5a	Keyboard	0552-0117-01	17c	Knob, Cap, Plain, Gray	0758-0195-01
5b	Label, Overlay Keyboard	EAL0123C00A	18	Switch, Power	0764-0231
6	Support, Ergonomic wrist	0552-0121-02	19	Label, CD Front Panel	EAL0135C00A
7	Handle, Cabinet	EASC029C81A	20	Plate, Striker	7003-0586
8a	Printer, LED	0528-0031-01	21	Catch	2397-0203
8b	Printer, Paper	0528-1088-01	22	WA, Boom Tube	EASC028C10A
8c	Bracket, Printer	EASB029C93A	NS	Drawer Slide Ball 17" Right	82388R
8d	Bracket, Printer Mount	EASB029C97A	NS	Drawer Slide Ball 17" Left	82388L
8e	Printer, Toner Cartridge	0528-1092-01	NS	Remote Control	EERC102A
8f	Printer, Image Drum	0528-1091-01			

REAR VIEW



ITEM	DESCRIPTION	PART NUMBER	ITEM	DESCRIPTION	PART NUMBER
1	Clip, Vinyl Coated	0562-0023-02	19a	Holder, Timing Light	EASC029C94A
2	Tubing Probe Protector	0669-0299-01	19b	Screw Self Tapping 6/32	0610-3423-04
3	Panel, Rear CD Drive	EASY027C91A	20a	Monitor, 15"	0859-0469-01
4	WH, Cable Monitor Data	EAW0048K00A	20b	Monitor, 17"	0859-0468-01
5	WA, Boom Tube	EASC028C10A	21	Connector, 3-pin IEC	4162-0484
6	End Cap Probe Protector	0301-0954-01	22	Bushing, Heyco	2035-0008
7	WH, Serial Extension	EAW0089C00A	23	Circuit Breaker 10 Amp	1922-0113-25
8	Cover, DB9	7014-1109-01	24	Handle, Cabinet	EASC029C81A
9	Cover, DB25	7014-1108-01	25	Bracket, Cabinet Handle	EASC029C82A
10	Cover, DB37	7014-1212-01	26	Latch, Rear Door	5666-0051-01
11	Plug, 27/32" DIA	1374-0119-01	27a	WA, Back Door	EASC029C10A
12	WH, ALDL (STL)	7076-0562-04	27b	Plate, Accessories	EASC029C95A
13	WH, Serial Interface	6004-0576-04	28a	Panel, Back Side Left	EASC029C84A
14a	Bushing, Heyco	2035-0009	28b	Panel, Back Side Right	EASC029C85A
14b	WH, Modem	6004-0606-01	29	Panel, Back Support	EASC029C83A
15	Plug, 9/16"	11776	30	Caster, Non Locking	3645-0057-01
16	Plug, Double D .500/.445	12376	31	Caster, Locking	3645-0057-02
17	Plate, Connector Screened	EASY029C80A	NS	Boom Support	EASB027C20A
18	Hanger, Boom Cable	EASC029C87A	NS	Bracket Boom Support	EASB027C25A

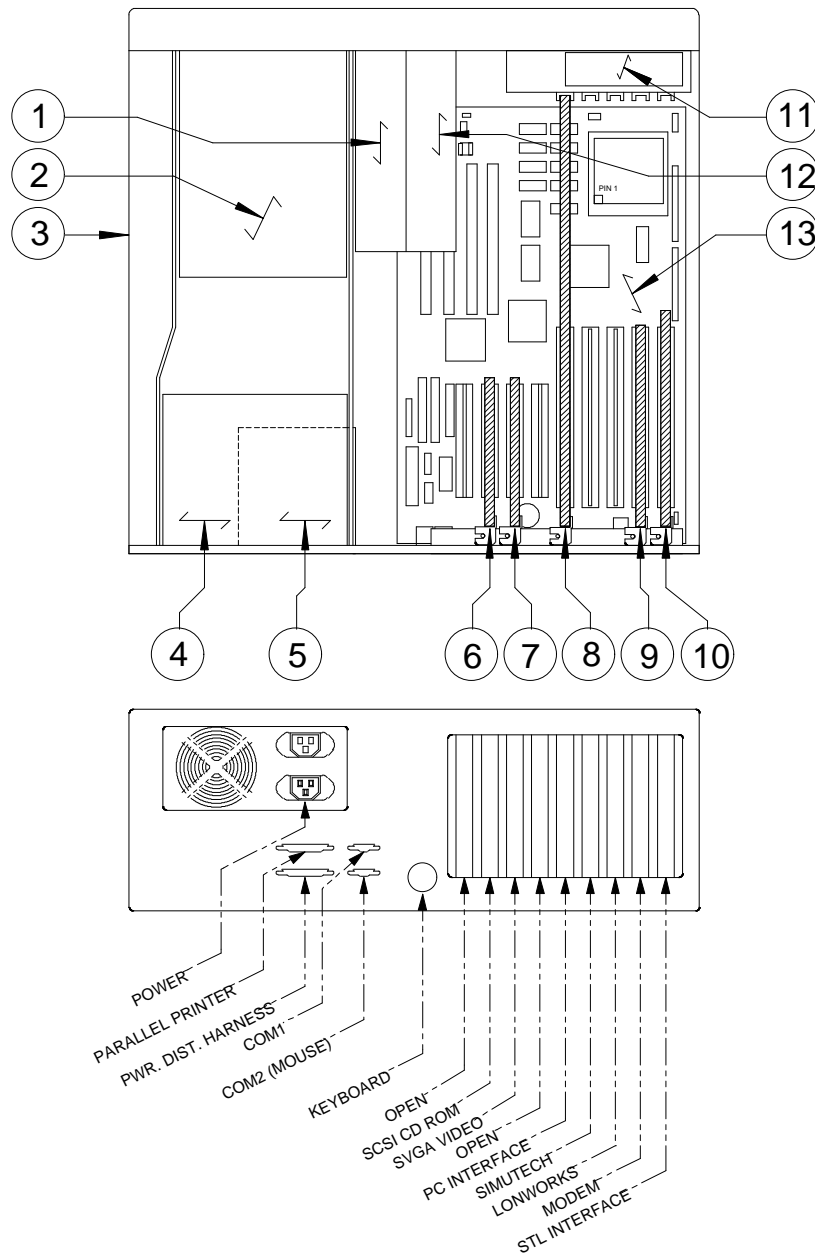
TOP VIEW (PC COVER OPEN)



ITEM	DESCRIPTION	PART NUMBER
1a	PCB, Digital	7001-2305-01
1b	IC, Micro, Programmed	0773-2071-06
2	PCB, Analog	7001-2306-01
3	Shock mount, Rubber Blue	0561-0147-01
4	PCB, Terminal	7008-0318
5	Circuit Breaker 10 Amp	1922-0113-25
6	Bushing, Heyco	2035-0008
7	Trim	51241
8	Connector, 3-pin IEC	4162-0484
9	WH, Monitor Data Cable	EAW0048K00A
10	PCB, Keyboard Interface	EAP0052K00A
11	PCB, Pod 2 Main	7001-2308-01

ITEM	DESCRIPTION	PART NUMBER
12	PCB, ALDL Reader	7001-0543-02
13	PCB, STL Interface	7001-2298-01
14	WA, Computer Door Weld	EASB029C60A
15a	Handle, Cabinet	EASC029C81A
15b	Bracket, Cabinet Handle	EASC029C82A
16	PCB Remote Sensor	EAP0036K00A
17	WA, Top Printer Door	EASB027C88A
18	Support, Ergonomic wrist	0552-0121-02
19a	Keyboard	0552-0117-01
19b	Label, Overlay Keyboard	EAL0123C00A
20	Computer Assembly	See page 20-5
NS	Remote Control	EERC102A

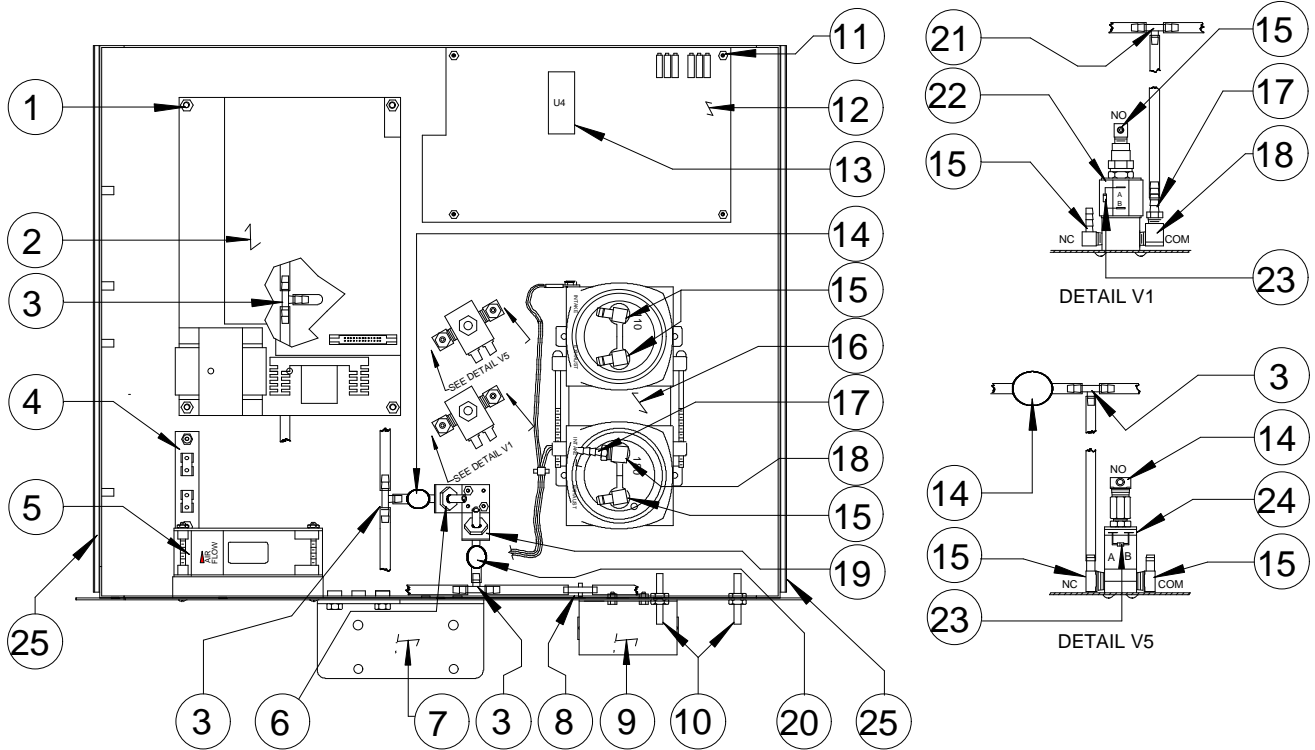
**PERSONAL COMPUTER**



ITEM	DESCRIPTION	PART NUMBER
1	Disk Drive, Floppy 1.44	0552-0095-01
2a	Disk Drive, CD ROM	0552-0946-08
2b	Bezel kit, Black	EAK0047C00A
3	Case, Computer	EAC0026C00A
4	Power Supply 230 Watt	0532-0029-02
5a	PCB, Power Distribution	7001-2300-01
5b	WH, Int Power Dist	7076-1011-01
5c	WH, HDD "Y" Power	EAW0011C00A
6	PCB, SCSI Interface	EAP0070C00A

ITEM	DESCRIPTION	PART NUMBER
7	PCB, Video Interface	EAP0069C00A
8	PCB, PC Interface	7001-2303-04
9	PCB, Modem Interface	EAP0071C00A
10	PCB, STL Interface	7001-2301-01
11	Fan, Secondary	EAA0071C41A
12	Disk Drive, Hard 1GB IDE	0552-0124-01
13	PCB, Motherboard w/CPU	EAP0068C00A
NS	MS-DOS 6.22	0552-0104-01
NS	Microsoft® Windows 3.11	0552-0125-01

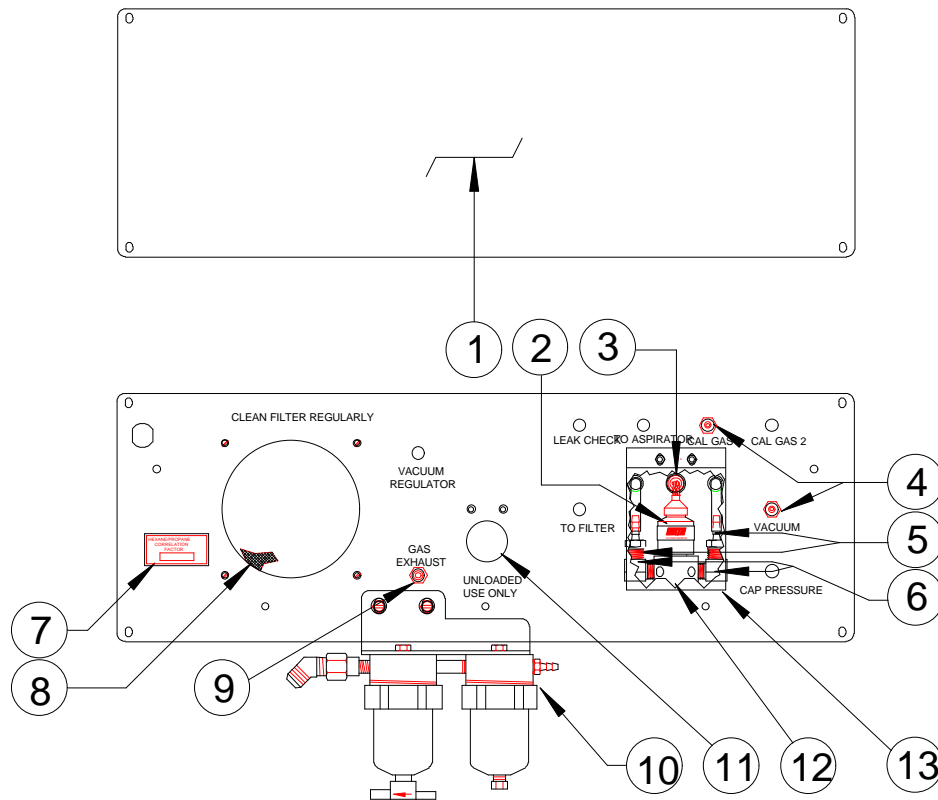
INFRARED DRAWER



ITEM	DESCRIPTION	PART NUMBER
1	Mount Rubber	0561-0144--01
2	Bench, IR 110V	7049-0126-01
2a	Bench, IR 220V	7049-0127-01
3	Fitting, Tee (3)	0647-0102
4	PCB, Terminal	7008-0054
5	Fan, 115V Axial	0587-0504
5a	Fan, 220V Axial	0587-0507-01
6	Switch, Leak Check	0549-0017
7	Bracket, Filter	7012-1382-01
8	Restrictor, Flow	3841-0111-01
9	Cover, O2 Block	7014-1183-01
10	Nipple (2)	2209
11	Spacer, # 6-32 Hex	0429-0044-16
11a	Nut, 6-32 Keps	0616-0006
12	PCB, Emissions Controller	EAP0067C00A

ITEM	DESCRIPTION	PART NUMBER
13	IC, Prom, Programmed	0773-2069-06
14	Restrictor, Flow	3841-0101
15	Adapter, Elbow	0647-0239-01
16	Pump, Vacuum 110V	7009-2032-02
16a	Pump, Vacuum 220V	7009-2032-03
17	Adapter Pipe to Hose	0647-0070
18	Fitting Elbow	0647-0044
19	Switch, Low Flow	0549-0019-02
20	Restrictor	3841-0101-05
21	Fitting, Tee	0647-0186
22	Valve, Solenoid	0304-0035
23	Assembly Diode	7009-1486-03
24	Valve, Solenoid 3-way	0304-0044-01
25	Slide Rail, IR Drawer	81782

## INFRARED DRAWER CONTINUED...



ITEM	DESCRIPTION	PART NUMBER	ITEM	DESCRIPTION	PART NUMBER
1	Plate, IR False	EASC026C92A	7	Label, Correlation	4600-0163
2	Sensor, Oxygen	7049-0004-01	8	Filter, Air	0301-0126
3	Grommet	0501-0003	9	Fitting, Port Exhaust	7024-0325
4	Nipple (2)	2209	10	Filter Bowl Assy.	See Pg. 20-8
5	Adapter, Pipe to Hose	0647-0073	12	Block Oxygen Sensor	7002-0261-01
6	Fitting	0647-0083	13	Cover, O2 Block	7014-1183-01

**FILTER MAINTANCE**

## FILTER MAINTANCE

WHEN THE "LOW FLOW CHECK FILTER" WARNING LIGHT COMES ON DURING VEHICLE TESTING, THE SAMPLE FILTERS MUST BE SERVICED. WHEN SERVICING FILTERS BE SURE THAT ALL SEALS ARE PROPERLY POSITIONED, AND THE UNITS ARE RE-ASSEMBLED SNUGLY, TO ELIMINATE THE POSSIBILITY OF OUTSIDE AIR BEING DRAWN INTO THE ANALYZER DURING VEHICLE TESTS.

**45° ADAPTOR**  
0647-0137

**ADAPTOR**  
0647-0028

**CLOSE NIPPLE**  
0647-0192-01

**FILTER HOUSING**  
0301-0942-01

**ADAPTOR**  
0647-0069

**NOTE:**  
ELEMENT SHOULD BE CLEANED OR REPLACED AS NECESSARY.

**NOTE:**  
ELEMENT SHOULD BE REPLACED AS NECESSARY.

**OBSERVE FILTER FROM BOTTOM.**

1. REMOVE OUTLET AND INLET HOSES FROM "T" FITTING ON LOWER PART OF FILTER BOWL.
2. REMOVE FILTER BOWL FROM HOUSING BY TURNING THE RETAINER RING FULLY COUNTER CLOCKWISE. NOTE POSITION OF "O" RING SEAL ON FILTER HOUSING.
3. TURN THE ELEMENT RETAINER NUT COUNTER CLOCKWISE AND REMOVE FILTER ELEMENT.
4. CLEAN FILTER BOWL AND FILTER ELEMENT IN A SOLUTION OF DETERGENT AND WATER AND THEN AIR DRY. IF NECESSARY, USE SUN NO. 0301-0944-01 FILTER ELEMENT.
5. ASSEMBLE IN REVERSE ORDER MAKING SURE "O" RING IS PROPERLY POSITIONED IN GROOVE IN FILTER HOUSING. RECONNECT INLET HOSE TO SIDE OF "T" FITTING THAT HAS THE SMALLEST OPENING.

**45° ADAPTOR**  
0647-0137

**ADAPTOR**  
0647-0028

**CLOSE NIPPLE**  
0647-0192-01

**FILTER HOUSING**  
0301-0942-01

**ADAPTOR**  
0647-0069

**NOTE:**  
ELEMENT SHOULD BE REPLACED AS NECESSARY.

**NOTE:**  
ELEMENT SHOULD BE REPLACED AS NECESSARY.

**OBSERVE FILTER FROM BOTTOM.**

1. REMOVE FILTER BOWL FROM HOUSING BY TURNING THE RETAINER RING FULLY COUNTER CLOCKWISE.
2. INSPECT "O" RING ON FILTER HOUSING SHAFT AND FILTER HOUSING.
3. TURN THE ELEMENT RETAINER NUT COUNTER CLOCKWISE AND REMOVE FILTER ELEMENT.
4. REMOVE THE FILTER ELEMENT AND REPLACE WITH SUN NO. 0301-0945-01 ELEMENT. ( DO NOT ATTEMPT TO CLEAN )
5. WASH FILTER BOWL IN A SOLUTION OF DETERGENT AND WATER AND THEN AIR DRY.
6. ASSEMBLE IN REVERSE ORDER MAKING SURE "O" RING IS PROPERLY POSITIONED IN GROOVE IN FILTER HOUSING.

**PRIMARY FILTER ASSEMBLY**  
**75 MICRONS**  
**0301-0136-01**

**SECONDARY FILTER ASSEMBLY**  
**8 MICRONS**  
**0301-0135-01**



## PARTS IN ALPHABETICAL ORDER

DESCRIPTION	PART NUMBER	COMMENTS
Adapter	0647-0028	
Adapter, 45 Degrees	0647-0137	
Adapter, Cblasy, Dil Y	6004-0775-02	
Adapter, Chry C1 Mag	7054-0057	
Adapter, Chry C2 Mag	7054-0062	
Adapter, Chry/Jeep/Eagle	0552-0120-01	
Adapter, Elbow	0647-0239-01	
Adapter, Filter Bowl Plug	0647-0138	
Adapter, Ford E Core	0552-0074-01	
Adapter, Ford F1 Mag	7054-0056	
Adapter, Ford F2 Mag	7054-0060	
Adapter, Pipe to Hose	0647-0070	
Adapter, Pipe to Hose	0647-0073	
Adapter, Tee	0647-0170	
Adapter, Thexton Gm Ext Coil	0552-0044	
Adapter, Thexton Gm Micro Pack	0552-0045	
Adapter, Thexton Gm/Ford Coil	0552-0043	
Adapter, Threaded to Hose	0647-0069	
Adapter, Universal Pattern	6004-0819-01	
Aspirator	7009-0728	
Assembly Diode	7009-1486-03	
Bench, IR 110V	7049-0126-01	
Bench, IR 220V	7049-0127-01	
Bezel Kit, Black	EAK0047C00A	
Block Oxygen Sensor	7002-0261-01	
Boom Stop	EASC029C96A	
Bracket, Cabinet Handle	EASC029C82A	
Bracket, Filter	7012-1382-01	
Bracket, Printer	EASB029C93A	
Bracket, Printer Mount	EASB029C97A	
Bushing, Heyco	2035-0008	
Bushing, Heyco	2035-0009	
Cap	0787-0035	
Case, Computer	EAC0026C00A	
Caster Locking	3645-0057-02	
Caster Non Locking	3645-0057-01	
Catch	2397-0203	
Circuit Breaker 10 Amp	1922-0113-25	
Clip, Vinyl Coated	0562-0023-02	
Connector, 3-pin IEC Outlet	4162-0484	
Cover DB9	7014-1109-01	
Cover, DB25	7014-1108-01	
Cover, DB37	7014-1212-01	
Cover, O2 Block	7014-1183-01	
Disk Drive, CD Rom	0552-0946-08	
Disk Drive, Floppy 1.44Meg	0552-0095-01	
Disk Drive, Hard 1GB IDE	0552-0124-01	
Drawer Slide Ball 17" Left	82388L	
Drawer Slide Ball 17" Right	82388R	
End Cap Probe Protector	0301-0954-01	
Fan, 115V Axial	0587-0504	
Fan, 220V Axial	0587-0507-01	

DESCRIPTION	PART NUMBER	COMMENTS
Fan, Secondary Computer	EAA0071C41A	
Filter Assembly, Primary	0301-0136-01	
Filter Assembly, Secondary	0301-0135-01	
Filter Bowl	0301-0947-01	
Filter Element, Primary	0301-0944-01	
Filter Element, Secondary	0301-0945-01	
Filter, Air	0301-0126	
Fitting	0647-0083	
Fitting, Close Nipple	0647-0192-01	
Fitting, Elbow	0647-0044	
Fitting, Exhaust Port	7024-0325	
Fitting, Nipple	2209	
Fitting, Tee	0647-0102	
Fitting, Tee	0647-0186	
Grommet	0501-0003	
Handle, Cabinet	EASC029C81A	
Hanger, Boom Cable	EASC029C87A	
Holder, Timing Light	EASC029C94A	
Hooks (10 Per Pack)	0124-0108-01	
Hose	0669-0623	
Hose	0669-0733	
Hose	0669-0734	
Housing Filter	0301-0942-01	
IC, Micro, Programmed	0773-2071-06	
IC, Prom, Programmed	0773-2069-06	
Jumper	6002-0349	
Keyboard	0552-0117-01	
Knob	0758-0206-01	
Knob, Cap, Plain, Gray	0758-0195-01	
Label, CD Front Panel	EAL0135C00A	
Label, Correlation	4600-0163	
Label, Overlay Keyboard	EAL0123C00A	
Label, Stickers	0682-1049-01	
Label, Unit Designation	EAL0125C00A	
Latch, Rear Door	5666-0051-01	
lead Assembly	6002-0355	
Lead Assy	0002-0133-15	
Lead Assy	6002-0346	
Lead Assy, Adapt-0-Cable	EAW0060C00A	
Lead Assy, Current Pickup	6005-0171-03	
Lead Assy, Exhaust Hose 3/16"	3988-0255-01	
Lead Assy, Exhaust Probe	7009-1869-01	
Lead Assy, Hei Pickup	1747-0102	
Lead Assy, Mag Probe	7009-2334-03	
Lead Assy, Pattern	6004-0763-02	
Lead Assy, Pattern Dual Hd	6004-0544-02	
Lead Assy, Pattern Pickup	1747-0101	
Lead Assy, Pickup Asm	1747-0103	
Lead Assy, Probe Assy	0507-0025-01	
Lead Assy, Temperature	6004-0407	
Lead Assy, Timing Light	7009-1374-08	
Lead Assy, Trigger Pickup	7009-2325-02	
Lead Assy, Universal	6005-0182-02	
Lead Assy, Vac Hose	6006-0003	
Lead Assy, Volt/Ohm Pinpoint	EAW0058C00A	
Lead Universal Extension	6004-0723-01	

DESCRIPTION	PART NUMBER	COMMENTS
Lead, Vehicle Interface Chrysler	6004-0716-01	
Lead, Vehicle Interface Ford	6004-0718-01	
Lead, Vehicle Interface GM 12 pin	6004-0717-01	
Lead, Vehicle Interface GM 5 pin	6004-0719-01	
Microsoft® DOS 6.22	0552-0104-01	
Microsoft® Windows 3.11	0552-0125-01	
Monitor, 15"	0859-0469-01	
Monitor, 17"	0859-0468-01	
Mount Rubber	0561-0144-01	
Mouse,3 Button Black	0552-0116-01	
Nut, 6-32 Keps	0616-0006	
Nut, Filter	0301-0946-01	
Nut, Filter Bowl	0301-0948-01	
Operator Instructions	0692-1617	For secondary adapter kit 0120-0544
Panel Back Left Side	EASC029C84A	
Panel Back Right Side	EASC029C85A	
Panel Back Support	EASC029C83A	
Panel, Rear CD Drive	EASY027C91A	
PCB, ALDL Reader	7001-0543-02	
PCB, Emissions Controller	EAP0067C00A	
PCB, Keyboard Interface	EAP0052K00A	
PCB, Modem Interface 28.8k	EAP0071C00A	
PCB, Motherboard w/CPU	EAP0068C00A	
PCB, PC Interface Card	7001-2303-04	
PCB, Pod 2 Input	7001-2237-02	
PCB, Pod 2 Main	7001-2308-01	
PCB, Pod Input	7001-2214-03	
PCB, Power Distribution	7001-2300-01	
PCB, Remote Sensor	EAP0036K00A	
PCB, SCSI Interface Card	EAP0070C00A	
PCB, SMT Analog	7001-2306-01	
PCB, SMT, Digital	7001-2305-01	
PCB, STL Interface	7001-2298-01	
PCB, STL Interface Card	7001-2301-01	
PCB, Terminal	7008-0054	
PCB, Terminal	7008-0318	
PCB, Video Interface Card	EAP0069C00A	
Plate Accessories	EASC029C95A	
Plate, Boom Connector	EASY028C45A	
Plate, Connector Screened	EASY029C80A	
Plate, IR False	EASC026C92A	
Plate, Striker	7003-0586	
Plug Double D .500/.445	12376	
Plug, 27/32" Dia	1374-0119-01	
Plug, 9/16'	11776	
Power Supply 230 Watt	0532-0029-02	
Printer, Image Drum	0528-1091-01	
Printer, LED	0528-0031-01	
Printer, Paper	0528-1088-01	
Printer, Toner Cartridge	0528-1092-01	
Pump, Vacuum 110V	7009-2032-02	
Pump, Vacuum 220V	7009-2032-03	
Remote Control	EERC102A	
Restrictor	3841-0101-05	
Restrictor, Flow	3841-0101	
Restrictor, Flow	3841-0111-01	

DESCRIPTION	PART NUMBER	COMMENTS
Screw Self Tapping 6/32	0610-3423-04	
Seal, "O" Ring	0301-0943-01	
Sensor Oxygen	7049-0004-01	
Shock mount, Rubber Blue	0561-0147-01	
Slide Rail IR Drawer	81782	
Spacer, # 6-32 Hex	0429-0044-16	
Support, Ergonomic wrist	0552-0121-02	
Switch, Leak Check	0549-0017	
Switch, Low Flow	0549-0019-02	
Switch, Power	0764-0231	
Test Adapter Assembly Pickup	1747-0105	
Test Clip	0672-0035-01	
Trim	51241	
Tubing, Hose 5/16	0669-0007	
Tubing, Poly 3/16	0669-0229	
Tubing, Poly, 1/4	0669-0220	
Tubing, Probe Protector	0669-0299-01	
Valve Assembly, Vacuum	7009-1430	
Valve, Solenoid	0304-0035	
Valve, Solenoid 3-way	0304-0044-01	
WA, Back Door	EASC029C10A	
WA, Boom Support	EASB027C20A	
WA, Boom Tube	EASC028C10A	
WA, Bracket Boom Support	EASB027C25A	
WA, Computer Door Weld	EASB029C60A	
WA, Storage Drawer 3 5/8"	EASC029C40A	
WA, Storage Drawer 6 1/2"	EASC029C30A	
WA, Top Drawer 4 1/2"	EASC026C20A	
WA, Top Front Door	EASC027C30A	
WA, Top Printer Door	EASB027C88A	
WH, A/D Interconnect	6004-0776-01	
WH, AC Power 110V	6001-0177-01	
WH, AC Power 220V	6001-0199-02	
WH, AC Power Hot Lead	EAW0068C00A	
WH, AC Power Switch	EAW0067C00A	
WH, ALDL (STL)	7076-0562-04	
WH, Amp/Oil/Temp/Ambient	EAW0056C00A	
WH, Battery/Coil/ Primary	EAW0055C00A	
WH, Bench AC	7076-0887-02	
WH, Data	EAW0071C00A	
WH, Emissions Exh Fan	7076-0753-03	
WH, HDD 'Y' Power Adapter	EAW0011C00A	
WH, Internal Power Distribution	7076-1011-01	
WH, IR AC Power	EAW0078C00A	
WH, IR Interface	6004-0355-02	
WH, IR Interface	7076-1014-01	
WH, IR Pump/Relay	EAW0064C00A	
WH, Keyboard Interface Cable	EAW0083C00A	
WH, Modem	6004-0606-01	
WH, Monitor Data Cable	EAW0048K00A	
WH, O2/Low Flow/Leak Check	7076-1017-01	
WH, Pod 2 Expansion	EAW0061C00A	
WH, Power	EAW0076C00A	
WH, Power to Monitor	7076-0932-01	
WH, Printer Cable	EAW0072C00A	
WH, PS/Signals	EAW0053C00A	

---

<b>DESCRIPTION</b>	<b>PART NUMBER</b>	<b>COMMENTS</b>
WH, Remote Receiving Unit	EAW0046K00A	
WH, SCSI Interface, 24"	6004-0824-02	
WH, Sec & Pinpoint.	EAW0054C00A	
WH, Serial Extension	EAW0089C00A	
WH, Serial Interface	6004-0576-04	
WH, Solenoid	7076-0882-02	
WH, Sunbus	EAW0065C00A	
WH, Suncom	EAW0052C00A	
WH, Timing & Signals	EAW0057C00A	
WH, Timing Light Adapter	EAW0062C00A	

## PARTS IN NUMERICAL ORDER

PART NUMBER	DESCRIPTION	COMMENTS
0002-0133-15	Lead Assy	
0124-0108-01	Hooks (10 Per Pack)	
0301-0126	Filter, Air	
0301-0135-01	Filter Assembly, Secondary	
0301-0136-01	Filter Assembly, Primary	
0301-0942-01	Housing Filter	
0301-0943-01	Seal, "O" Ring	
0301-0944-01	Filter Element, Primary	
0301-0945-01	Filter Element, Secondary	
0301-0946-01	Nut, Filter	
0301-0947-01	Filter Bowl	
0301-0948-01	Nut, Filter Bowl	
0301-0954-01	End Cap Probe Protector	
0304-0035	Valve, Solenoid	
0304-0044-01	Valve, Solenoid 3-way	
0429-0044-16	Spacer, # 6-32 Hex	
0501-0003	Grommet	
0507-0025-01	Lead Assy, Probe Assy	
0528-0031-01	Printer, LED	
0528-1088-01	Printer, Paper	
0528-1091-01	Printer, Image Drum	
0528-1092-01	Printer, Toner Cartridge	
0532-0029-02	Power Supply 230 Watt	
0549-0017	Switch, Leak Check	
0549-0019-02	Switch, Low Flow	
0552-0043	Adapter, Thexton Gm/Ford Coil	
0552-0044	Adapter, Thexton Gm Ext Coil	
0552-0045	Adapter, Thexton Gm Micro Pack	
0552-0074-01	Adapter, Ford E Core	
0552-0095-01	Disk Drive, Floppy 1.44Meg	
0552-0104-01	Microsoft® DOS 6.22	
0552-0116-01	Mouse,3 Button Black	
0552-0117-01	Keyboard	
0552-0120-01	Adapter, Chry/Jeep/Eagle	
0552-0121-02	Support, Ergonomic wrist	
0552-0124-01	Disk Drive, Hard 1GB IDE	
0552-0125-01	Microsoft® Windows 3.11	
0552-0946-08	Disk Drive, CD Rom	
0561-0144-01	Mount Rubber	
0561-0147-01	Shock mount, Rubber Blue	
0562-0023-02	Clip, Vinyl Coated	
0587-0504	Fan, 115V Axial	
0587-0507-01	Fan, 220V Axial	
0610-3423-04	Screw Self Tapping 6/32	
0616-0006	Nut, 6-32 Keps	
0647-0028	Adapter	
0647-0044	Fitting, Elbow	
0647-0069	Adapter, Threaded to Hose	
0647-0070	Adapter, Pipe to Hose	
0647-0073	Adapter, Pipe to Hose	
0647-0083	Fitting	
0647-0102	Fitting, Tee	

<b>PART NUMBER</b>	<b>DESCRIPTION</b>	<b>COMMENTS</b>
0647-0137	Adapter, 45 Degrees	
0647-0138	Adapter, Filter Bowl Plug	
0647-0170	Adapter, Tee	
0647-0186	Fitting, Tee	
0647-0192-01	Fitting, Close Nipple	
0647-0239-01	Adapter, Elbow	
0669-0007	Tubing, Hose 5/16	
0669-0220	Tubing, Poly, 1/4	
0669-0229	Tubing, Poly 3/16	
0669-0299-01	Tubing, Probe Protector	
0669-0623	Hose	
0669-0733	Hose	
0669-0734	Hose	
0672-0035-01	Test Clip	
0682-1049-01	Label, Stickers	
0692-1617	Operator Instructions	For secondary adapter kit 0120-0544
0758-0195-01	Knob, Cap, Plain, Gray	
0758-0206-01	Knob	
0764-0231	Switch, Power	
0773-2069-06	IC, Prom, Programmed	
0773-2071-06	IC, Micro, Programmed	
0787-0035	Cap	
0859-0468-01	Monitor, 17"	
0859-0469-01	Monitor, 15"	
11776	Plug, 9/16'	
12376	Plug Double D .500/.445	
1374-0119-01	Plug, 27/32" Dia	
1747-0101	Lead Assy, Pattern Pickup	
1747-0102	Lead Assy, Hei Pickup	
1747-0103	Lead Assy, Pickup Asm	
1747-0105	Test Adapter Assembly Pickup	
1922-0113-25	Circuit Breaker 10 Amp	
2035-0008	Bushing, Heyco	
2035-0009	Bushing, Heyco	
2209	Fitting, Nipple	
2397-0203	Catch	
3645-0057-01	Caster Non Locking	
3645-0057-02	Caster Locking	
3841-0101	Restrictor, Flow	
3841-0101-05	Restrictor	
3841-0111-01	Restrictor, Flow	
3988-0255-01	Lead, Exhaust Hose 3/16"	
4162-0484	Connector, 3-pin IEC Outlet	
4600-0163	Label, Correlation	
51241	Trim	
5666-0051-01	Latch, Rear Door	
6001-0177-01	WH, AC Power 110V	
6001-0199-02	WH, AC Power 220V	
6002-0346	Lead Assy	
6002-0349	Jumper	
6002-0355	lead Assembly	
6004-0355-02	WH, IR Interface	
6004-0407	Lead Assy, Temperature	
6004-0544-02	Lead Assy, Pattern Dual Hd	
6004-0576-04	WH, Serial Interface	
6004-0606-01	WH, Modem	

PART NUMBER	DESCRIPTION	COMMENTS
6004-0716-01	Lead, Vehicle Interface Chrysler	
6004-0717-01	Lead, Vehicle Interface GM 12 pin	
6004-0718-01	Lead, Vehicle Interface Ford	
6004-0719-01	Lead, Vehicle Interface GM 5 pin	
6004-0723-01	Lead Universal Extension	
6004-0763-02	Lead Assy, Pattern	
6004-0775-02	Adapter, Cblasy, Dil Y	
6004-0776-01	WH, A/D Interconnect	
6004-0819-01	Adapter, Universal Pattern	
6004-0824-02	WH, SCSI Interface, 24"	
6005-0171-03	Lead Assy, Current Pickup	
6005-0182-02	Lead Assy, Universal	
6006-0003	Lead Assy, Vac Hose	
7001-0543-02	PCB, ALDL Reader	
7001-2214-03	PCB, Pod Input	
7001-2237-02	PCB, Pod 2 Input	
7001-2298-01	PCB, STL Interface	
7001-2300-01	PCB, Power Distribution	
7001-2301-01	PCB, STL Interface Card	
7001-2303-04	PCB, PC Interface Card	
7001-2305-01	PCB, SMT, Digital	
7001-2306-01	PCB, SMT Analog	
7001-2308-01	PCB, Pod 2 Main	
7002-0261-01	Block Oxygen Sensor	
7003-0586	Plate, Striker	
7008-0054	PCB, Terminal	
7008-0318	PCB, Terminal	
7009-0728	Aspirator	
7009-1374-08	Lead Assy, Timing Light	
7009-1430	Valve Assembly, Vacuum	
7009-1486-03	Assembly Diode	
7009-1869-01	Lead Assy, Exhaust Probe	
7009-2032-02	Pump, Vacuum 110V	
7009-2032-03	Pump, Vacuum 220V	
7009-2325-02	Lead Assy, Trigger Pickup	
7009-2334-03	Lead Assy, Mag Probe	
7012-1382-01	Bracket, Filter	
7014-1108-01	Cover, DB25	
7014-1109-01	Cover DB9	
7014-1183-01	Cover, O2 Block	
7014-1212-01	Cover, DB37	
7024-0325	Fitting, Exhaust Port	
7049-0004-01	Sensor Oxygen	
7049-0126-01	Bench, IR 110V	
7049-0127-01	Bench, IR 220V	
7054-0056	Adapter, Ford F1 Mag	
7054-0057	Adapter, Chry C1 Mag	
7054-0060	Adapter, Ford F2 Mag	
7054-0062	Adapter, Chry C2 Mag	
7076-0562-04	WH, ALDL (STL)	
7076-0753-03	WH, Emissions Exh Fan	
7076-0882-02	WH, Solenoid	
7076-0887-02	WH, Bench AC	
7076-0932-01	WH, Power to Monitor	
7076-1011-01	WH, Internal Power Distribution	
7076-1014-01	WH, IR Interface	



<b>PART NUMBER</b>	<b>DESCRIPTION</b>	<b>COMMENTS</b>
7076-1017-01	WH, O2/Low Flow/Leak Check	
81782	Slide Rail IR Drawer	
82388L	Drawer Slide Ball 17" Left	
82388R	Drawer Slide Ball 17" Right	
EAA0071C41A	Fan, Secondary Computer	
EAC0026C00A	Case, Computer	
EAK0047C00A	Bezel Kit, Black	
EAL0123C00A	Label, Overlay Keyboard	
EAL0125C00A	Label, Unit Designation	
EAL0135C00A	Label, CD Front Panel	
EAP0036K00A	PCB, Remote Sensor	
EAP0052K00A	PCB, Keyboard Interface	
EAP0067C00A	PCB, Emissions Controller	
EAP0068C00A	PCB, Motherboard w/CPU	
EAP0069C00A	PCB, Video Interface Card	
EAP0070C00A	PCB, SCSI Interface Card	
EAP0071C00A	PCB, Modem Interface 28.8k	
EASB027C20A	WA, Boom Support	
EASB027C25A	WA, Bracket Boom Support	
EASB027C88A	WA, Top Printer Door	
EASB029C60A	WA, Computer Door Weld	
EASB029C93A	Bracket, Printer	
EASB029C97A	Bracket, Printer Mount	
EASC026C20A	WA, Top Drawer 4 1/2"	
EASC026C92A	Plate, IR False	
EASC027C30A	WA, Top Front Door	
EASC028C10A	WA, Boom Tube	
EASC029C10A	WA, Back Door	
EASC029C30A	WA, Storage Drawer 6 1/2"	
EASC029C40A	WA, Storage Drawer 3 5/8"	
EASC029C81A	Handle, Cabinet	
EASC029C82A	Bracket, Cabinet Handle	
EASC029C83A	Panel Back Support	
EASC029C84A	Panel Back Left Side	
EASC029C85A	Panel Back Right Side	
EASC029C87A	Hanger, Boom Cable	
EASC029C94A	Holder, Timing Light	
EASC029C95A	Plate Accessories	
EASC029C96A	Boom Stop	
EASY027C91A	Panel, Rear CD Drive	
EASY028C45A	Plate, Boom Connector	
EASY029C80A	Plate, Connector Screened	
EAW0011C00A	WH, HDD 'Y' Power Adapter	
EAW0046K00A	WH, Remote Receiving Unit	
EAW0048K00A	WH, Monitor Data Cable	
EAW0052C00A	WH, Suncom	
EAW0053C00A	WH, PS/Signals	
EAW0054C00A	WH, Sec & Pinpoint.	
EAW0055C00A	WH, Battery/Coil/ Primary	
EAW0056C00A	WH, Amp/Oil/Temp/Ambient	
EAW0057C00A	WH, Timing & Signals	
EAW0058C00A	Lead Assy, Volt/Ohm Pinpoint	
EAW0060C00A	Lead Assy, Adapt-0-Cable	
EAW0061C00A	WH, Pod 2 Expansion	
EAW0062C00A	WH, Timing Light Adapter	
EAW0064C00A	WH, IR Pump/Relay	

<b>PART NUMBER</b>	<b>DESCRIPTION</b>	<b>COMMENTS</b>
EAW0065C00A	WH, Sunbus	
EAW0067C00A	WH, AC Power Switch	
EAW0068C00A	WH, AC Power Hot Lead	
EAW0071C00A	WH, Data	
EAW0072C00A	WH, Printer Cable	
EAW0076C00A	WH, Power	
EAW0078C00A	WH, IR AC Power	
EAW0083C00A	WH, Keyboard Interface Cable	
EAW0089C00A	WH, Serial Extension	
EERC102A	Remote Control	

## LEADS & ACCESSORIES

PART NUMBER	DESCRIPTION	COMMENTS
0002-0133-15	Lead Assy	
0124-0108-01	Hooks (10 Per Pack)	
0301-0944-01	Filter Element,75 Micron	
0301-0945-01	Filter Element,8 Micron	
0507-0025-01	Lead Assy, Probe Assy	
0552-0043	Adapter, Thexton Gm/Ford Coil	
0552-0044	Adapter, Thexton Gm Ext Coil	
0552-0045	Adapter, Thexton Gm Micro Pack	
0552-0074-01	Adapter, Ford E Core	
0552-0116-01	Mouse,3 Button Black	
0552-0120-01	Adapter, Chry/Jeep/Eagle	
0647-0170	Adapter, Tee	
0669-0220	Hose, Poly, 1/4 ID	
0669-0623	Hose	
0669-0733	Hose	
0669-0734	Hose	
0672-0035-01	Test Clip	
0682-1049-01	Label, Stickers	
0692-1617	Operator Instructions	For secondary adapter kit 0120-0544
0787-0035	Cap	
1747-0101	Lead Assy, Pat Pickup	
1747-0102	Lead Assy, Hei Pickup	
1747-0103	Lead Assy, Pickup Asm	
1747-0105	Test Adapter Assembly Pickup	
3988-0255-01	Lead, Exhaust Hose 3/16"	
6002-0346	Lead Assy	
6002-0349	Jumper	
6002-0355	lead Assembly	
6004-0407	Lead Assy, Temperature	
6004-0544-02	Lead Assy, Pattern Dual Hd	
6004-0716-01	Lead, Vehicle Interface Chrysler	
6004-0717-01	Lead, Vehicle Interface GM 12 pin	
6004-0718-01	Lead, Vehicle Interface Ford	
6004-0719-01	Lead, Vehicle Interface GM 5 pin	
6004-0723-01	Lead Universal Extension	
6004-0763-02	Lead Assy, Pattern	
6004-0775-02	Adapter, Cblasy, Dil Y	
6004-0819-01	Adapter, Universal Pattern	
6005-0171-03	Lead Assy, Current Pickup	
6005-0182-02	Lead Assy, Universal	
6006-0003	Lead Assy, Vac Hose	
7009-1374-08	Lead Assy, Timing Light	
7009-1869-01	Lead Assy, Exhaust Probe	
7009-2325-02	Lead Assy, Trigger Pickup	
7009-2334-03	Lead Assy, Mag Probe	
7049-0004-01	Oxygen Sensor	
7054-0056	Adapter, Ford F1 Mag	
7054-0057	Adapter, Chry C1 Mag	
7054-0060	Adapter, Ford F2 Mag	
7054-0062	Adapter, Chry C2 Mag	
EASC029C96A	Boom Stop	
EAW0058C00A	Lead Assy, Volt/Ohm Pinpoint	
EAW0060C00A	Adapt-0-Cable	
EERC102A	Remote Control	

