

# CHAPTER 20

## PARTS

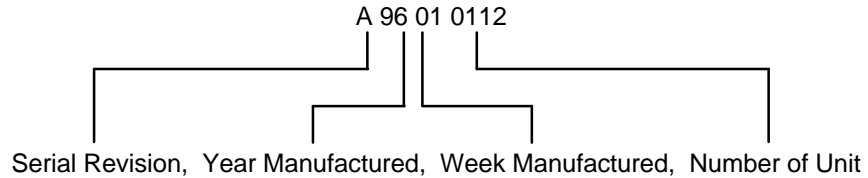
### GENERAL

This chapter describes assemblies, subassemblies, and parts considered replaceable at on-site field installations.

Serial number location is in the rear lower left, below shroud.

Serial Number breakdown is as follows:

Example:

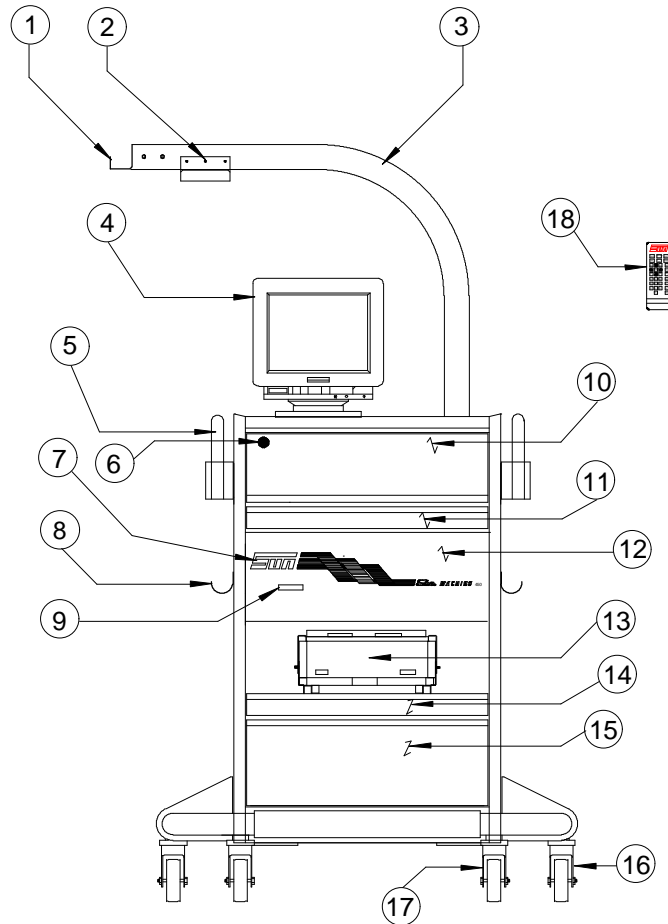


**NOTE: *The Sun Machine 450 circuit boards are not being purchased preconfigured. The configuration of all circuit boards must be checked before placement into the unit. Refer to Configuration Manual.***

**NOTE: *Within the parts descriptions there are two abbreviations that are being used, one of them is WA = Weld Assembly the other is WH = Wiring Harness. The WH Numbers are for service reference only.***

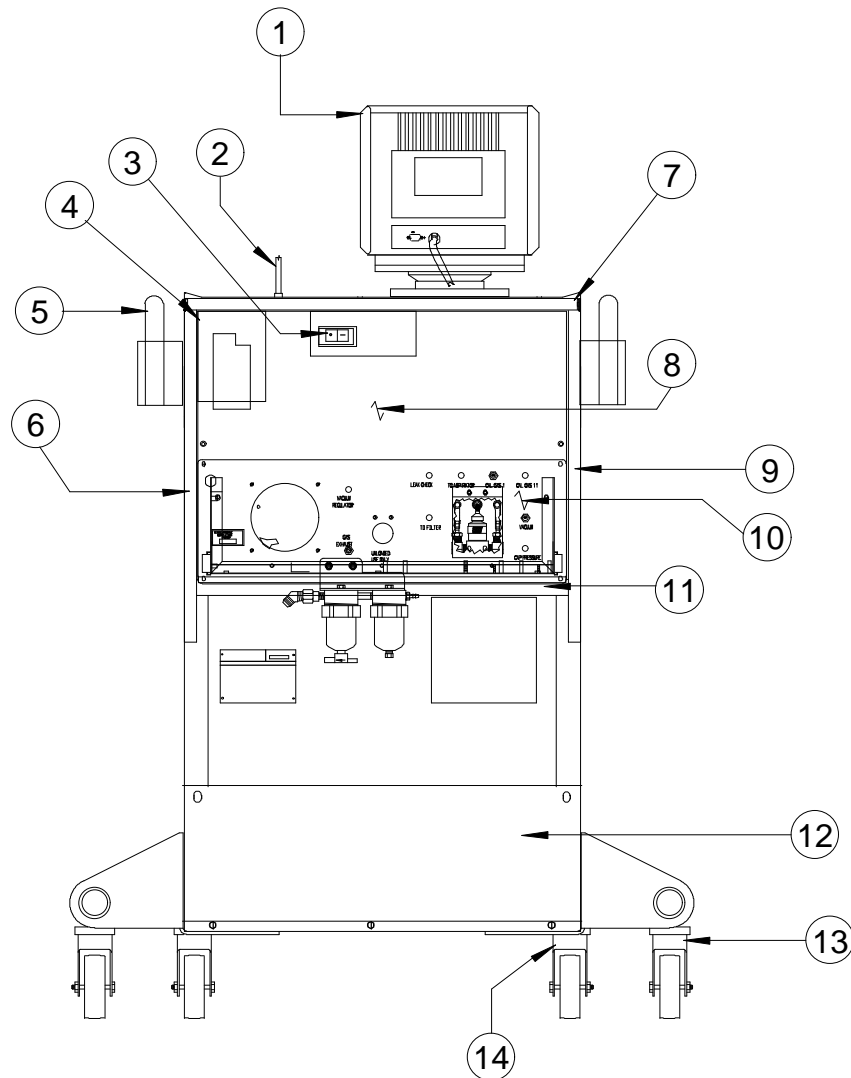
**PARTS BY PICTORIAL**

**FRONT VIEW**



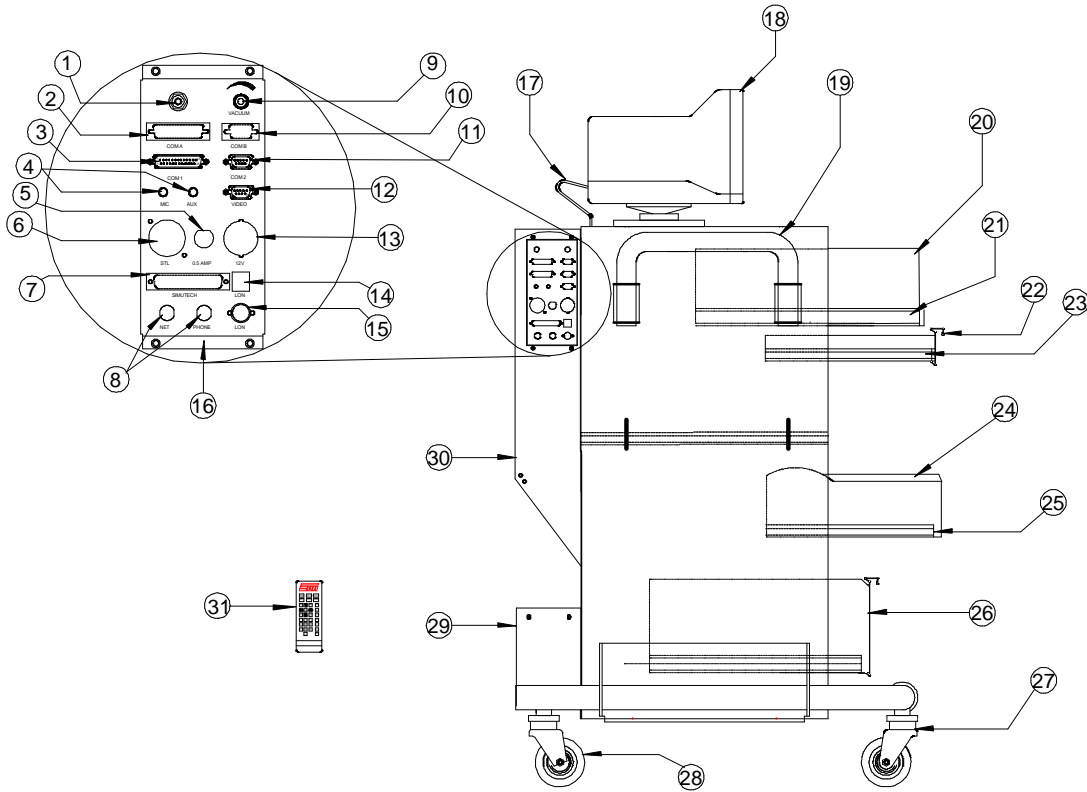
ITEM	DESCRIPTION	PART NUMBER	ITEM	DESCRIPTION	PART NUMBER
1	Hanger, Boom	EASC068C10A	11a	Drawer, Keyboard	2500E2100
2	Holder, Timing Light	EASC029C94A	11b	Keyboard	0552-0117-01
3	Boom Tube	EASC063C89A	11c	Label, Overlay Keyboard	EAL0123C00A
4a	Monitor, 14" Acer	0859-0471-01	11d	Drawer Slide Runner	8-280
4b	Monitor, 15" Antec	0859-0469-01	12	Front Cover	EASC063C82A
4c	Monitor, 15" Acer	0859-0472-01	13a	Printer, LED	0528-0031-01
4d	Mounting Kit Acer 14" & 15"	EAK0067C00AB	13b	Printer, Paper 500 Sheets	0528-1088-01
4e	Mounting Kit Antec 15"	EAK0051C01AB	13c	Bracket, Printer Side	EASB029C93A
5	Handle, Cabinet	EASC068C20A	13d	Bracket, Printer Mount Base	EASB029C97A
6	Label, Remote Cover	EAL0217C00A	13e	Printer, Toner Cartridge	0528-1092-01
7a	Label, Unit Designation 450	EAL0216C00A	13f	Printer, Image Drum	0528-1091-01
7b	Label, Unit Designation 400	EAL0220C00A	14	Drawer, Printer	EASC063C40A
8	Hanger	2162-0023	15	Drawer, Deep	2500E2400
9	Cover, Calibration Pots	EASP064C01A	16	Caster Non Locking	3645-0053-01
10a	Front Door	EASC63C86A	17	Caster Locking	3645-0053-02
10b	Bushing	1489-0505-01	18	Remote Control	EERC102A
10c	Drawer, Computer	2500E2150			

REAR VIEW



ITEM	DESCRIPTION	PART NUMBER	ITEM	DESCRIPTION	PART NUMBER
1a	Monitor, 14" Acer	0859-0471-01	6	Rear Cover Left Side	EASC063C87A
1b	Monitor, 15" Antec	0859-0469-01	7	Rear Cover Top	EASC063C84A
1c	Monitor, 15" Acer	0859-0472-01	8	Rear Door	EASC063C83A
1d	Mounting Kit Acer 14" & 15"	EAK0067C00AB	9	Rear Cover Right Side	EASC063C81A
1e	Mounting Kit Antec 15"	EAK0051C01AB	10	See Emissions	Page 6
2	Power, Monitor Cable	EAW0135C00A	11	Rear Cover Brace	EASC063C85A
3	Ckt/Switch, AC Power	1922-0116-21	12	Rear Storage	EASC063C79A
4a	Boom Journal Weld	EASC063C50A	13	Caster, Non Locking	3645-0057-01
4b	Cover Plate (No Boom)	EASC063C76A	14	Caster, Locking	3645-0057-02
5	Handle, Cabinet	EASC068C20A			

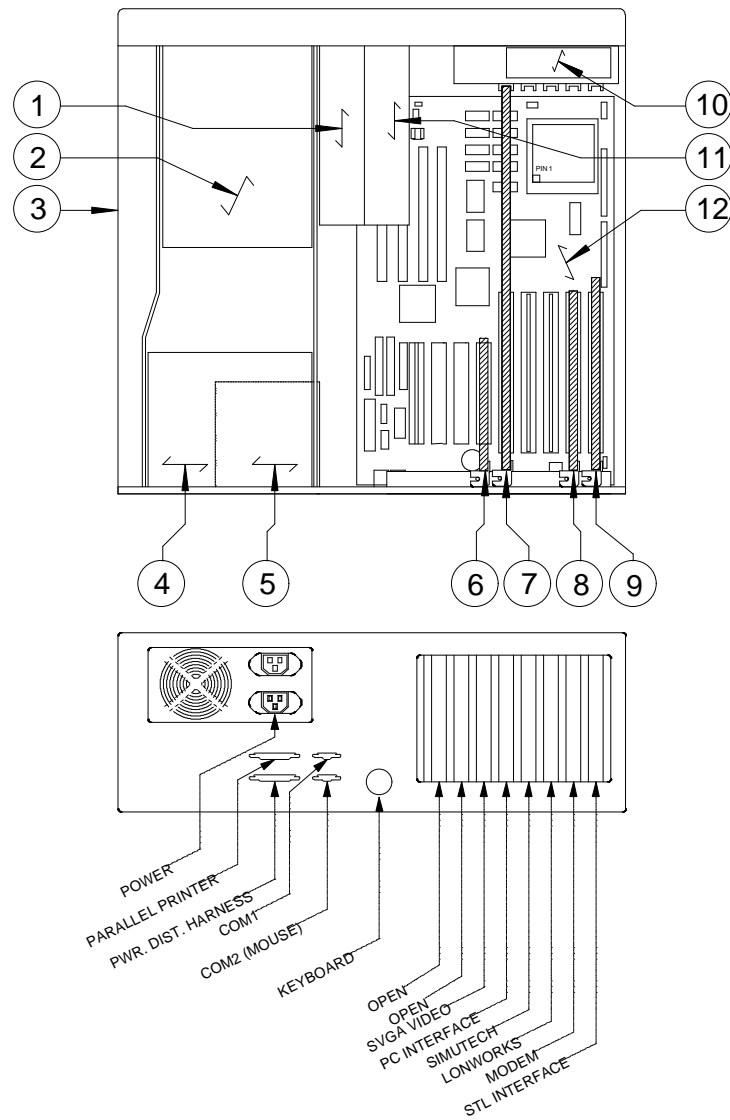
SIDE VIEW



ITEM	DESCRIPTION	PART NUMBER
1a	Nipple	2209
2	Cover, DB25	7014-1108-01
3	Serial Extension COM 1	EAW0089C01
4	Plug, Button .250	1374-0108
5	Plug, button	1374-0002
6	Plug, Button	1374-0124-01
7	Cover, DB37	7014-1212-01
8	Plug, Double "D"	1-2376
9a	Valve Assembly	7009-1430
9b	Knob, Push-on	0758-0206-01
9c	Cap, Knob	0758-0195-01
10	Cover, DB9	7014-1109-01
11	Cable, Serial Interface	6004-0576-05
12	Cable, Monitor Data	EAW0048K00A
13	Plug, Button	1374-0118-01
14	Coupler, In-Line	4162-7113-01
15	Plug, Hole	1-1776
16	Connector Plate, Screened	EASY063C78A
17	Power, Monitor	EAW0135C00A
18a	Monitor, 14" Acer	0859-0471-01
18b	Monitor, 15" Antec	0859-0469-01
18c	Monitor, 15" Acer	0859-0472-01
19	Handle, Cabinet	EASC068C20A
20a	Computer See Page 5	
20b	Bracket, Keyboard/Remote	EASC068C01A

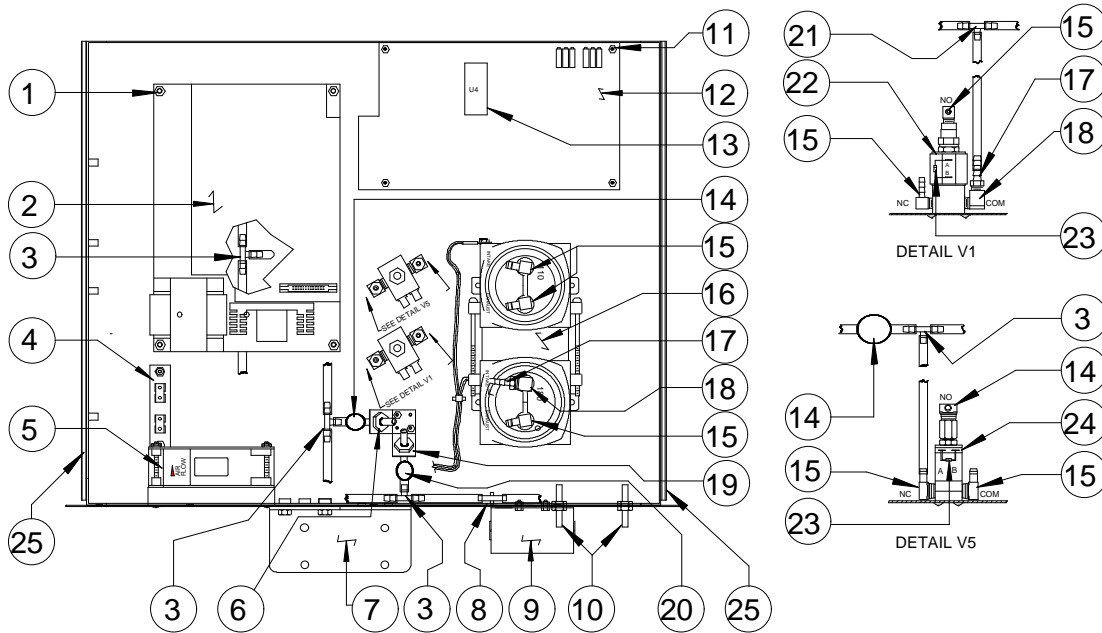
ITEM	DESCRIPTION	PART NUMBER
20c	PCB, ALDL Reader	7001-0543-02
20d	PCB, STL Interconnect	7001-2298-01
20e	PCB, STL Interface	7001-2301-01
20f	PCB, Keyboard Interface	EAP0052K00A
20g	PCB, Remote Sensor	EAP0036K00A
21a	Drawer, Computer	2500E2150
21b	Runner, Slide	8-180
22a	Drawer, Keyboard	2500E2100
22b	Keyboard	0552-0117-01
23	Runner, Slide	8-280
24	Printer	0528-0031-01
25a	Drawer, Printer	EASC063C40A
25b	Runner, Slide	8-280
26a	Drawer, Storage	2500E2400
26b	Runner, Slide	8-280
27	Caster, Locking	3645-0057-02
27	Caster, Non-Locking	3645-0057-01
29	Storage, Rear	EASC063C79A
30a	Cover, Rear Right Side	EASC063C81A
30b	Cover, Rear Door	EASC063C83A
30c	Cover, Rear Top	EASC063C84A
30d	Cover, Rear Brace	EASC063C85A
30e	Cover, Rear Left Side	EASC063C87A
31	Remote Control	EERC102A

PERSONAL COMPUTER



ITEM	DESCRIPTION	PART NUMBER	ITEM	DESCRIPTION	PART NUMBER
1	Drive, Floppy 1.44	0552-0064-01	6	PCB, Video	EAP0069C00A
2	Drive, CD ROM	0552-0946-08	7	PCB, PC Interface	7001-2303-04
	Drive, CD ROM	0552-0946-07	8	PCB, Modem Interface	EAP0071C00A
	Bezel kit, Black	EAK0047C00A	9	PCB, STL Interface	7001-2301-01
3	Case, Computer	EAC0026C00A	10	Fan, Secondary	EAA0071C41A
4	Power Supply 230 Watt	0532-0029-02	11	Disk Drive, Hard 1GB IDE	0552-0124-01
5a	PCB, Power Distribution	7001-2300-01	12	PCB, Motherboard w/CPU	EAP0068C00A
5b	WH1, Int. Power Dist.	7076-1011-01	NS	MS-DOS 6.22	0552-0104-01
5c	WH2, HDD "Y" Power	EAW0011C00A	NS	Microsoft® Windows 3.11	0552-0125-01

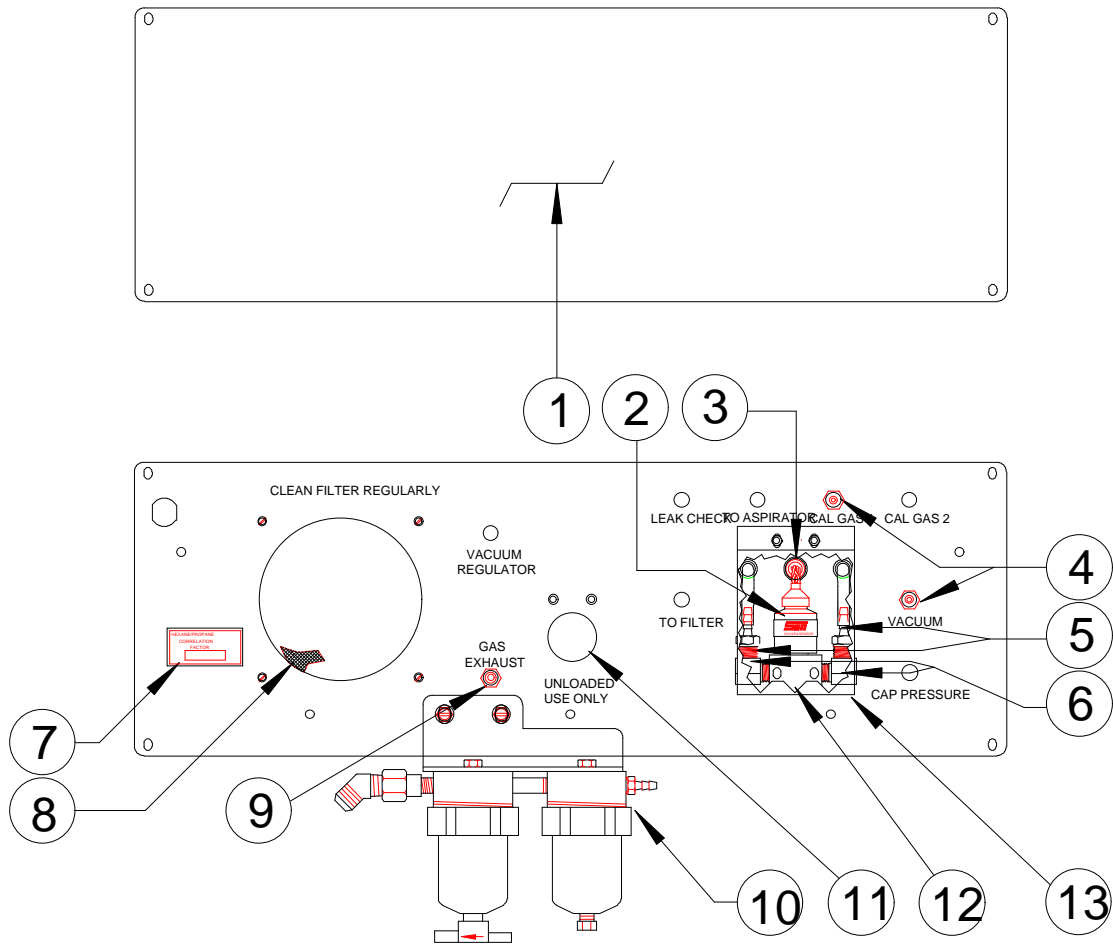
INFRARED DRAWER



ITEM	DESCRIPTION	PART NUMBER
1	Mount Rubber	0561-0144--01
2	Bench, IR 110V	7049-0126-01
2a	Bench, IR 220V	7049-0127-01
3	Fitting, Tee (3)	0647-0102
4	PCB, Terminal	7008-0054
5	Fan, 115V Axial	0587-0504
5a	Fan, 220V Axial	0587-0507-01
6	Switch, Leak Check	0549-0017
7	Bracket, Filter	7012-1382-01
8	Restrictor, Flow	3841-0111-01
9	Cover, O2 Block	7014-1183-01
10	Nipple (2)	2209
11	Spacer, # 6-32 Hex	0429-0044-16
11a	Nut, 6-32 Keps	0616-0006
12	PCB, Emissions Controller	EAP0067C00A

ITEM	DESCRIPTION	PART NUMBER
13	IC, Prom, Programmed	0773-2069-06
14	Restrictor, Flow	3841-0101
15	Adapter, Elbow	0647-0239-01
16	Pump, Vacuum 110V	7009-2032-02
16a	Pump, Vacuum 220V	7009-2032-03
17	Adapter Pipe to Hose	0647-0070
18	Fitting Elbow	0647-0044
19	Switch, Low Flow	0549-0019-02
20	Restrictor	3841-0101-05
21	Fitting, Tee	0647-0186
22	Valve, Solenoid	0304-0035
23	Assembly Diode	7009-1486-03
24	Valve, Solenoid 3-way	0304-0044-01
25	Slide Rail, IR Drawer	81782

INFRARED DRAWER CONTINUED...



ITEM	DESCRIPTION	PART NUMBER
1	Plate, IR False	EASC026C92A
2	Sensor, Oxygen	7049-0004-01
3	Grommet	0501-0003
4	Nipple (2)	2209
5	Adapter, Pipe to Hose	0647-0073
6	Fitting	0647-0083
7	Label, Correlation	4600-0163

ITEM	DESCRIPTION	PART NUMBER
8	Filter, Air	0301-0126
9	Fitting, Port Exhaust	7024-0325
10	Filter Bowl Assy.	See Pg. 20-11
11	Plug, Button 11/4"	1374-0102
12	Block Oxygen Sensor	7002-0261-01
13	Cover, O2 Block	7014-1183-01

**FILTER MAINTENANCE**

### FILTER MAINTENANCE

WHEN THE "LOW FLOW CHECK FILTER" WARNING LIGHT COMES ON DURING VEHICLE TESTING, THE SAMPLE FILTERS MUST BE SERVICED. WHEN SERVICING FILTERS BE SURE THAT ALL SEALS ARE PROPERLY POSITIONED, AND THE UNITS ARE RE-ASSEMBLED SNUGLY, TO ELIMINATE THE POSSIBILITY OF OUTSIDE AIR BEING DRAWN INTO THE ANALYZER DURING VEHICLE TESTS.

**NOTE:**  
ELEMENT SHOULD BE CLEANED OR REPLACED AS NECESSARY.

OBSERVE FILTER FROM BOTTOM.

1. REMOVE OUTLET AND INLET HOSES FROM "T" FITTING ON LOWER PART OF FILTER BOWL.
2. REMOVE FILTER BOWL FROM HOUSING BY TURNING THE RETAINER RING FULLY COUNTER CLOCKWISE. NOTE POSITION OF "O" RING SEAL ON FILTER HOUSING.
3. TURN THE ELEMENT RETAINER NUT COUNTER CLOCKWISE AND REMOVE FILTER ELEMENT.
4. CLEAN FILTER BOWL AND FILTER ELEMENT IN A SOLUTION OF DETERGENT AND WATER AND THEN AIR DRY. IF NECESSARY, USE SUN NO. 0301-0944-01 FILTER ELEMENT.
5. ASSEMBLE IN REVERSE ORDER MAKING SURE "O" RING IS PROPERLY POSITIONED IN GROOVE IN FILTER HOUSING. RECONNECT INLET HOSE TO SIDE OF "T" FITTING THAT HAS THE SMALLEST OPENING.

**NOTE:**  
ELEMENT SHOULD BE REPLACED AS NECESSARY.

OBSERVE FILTER FROM BOTTOM.

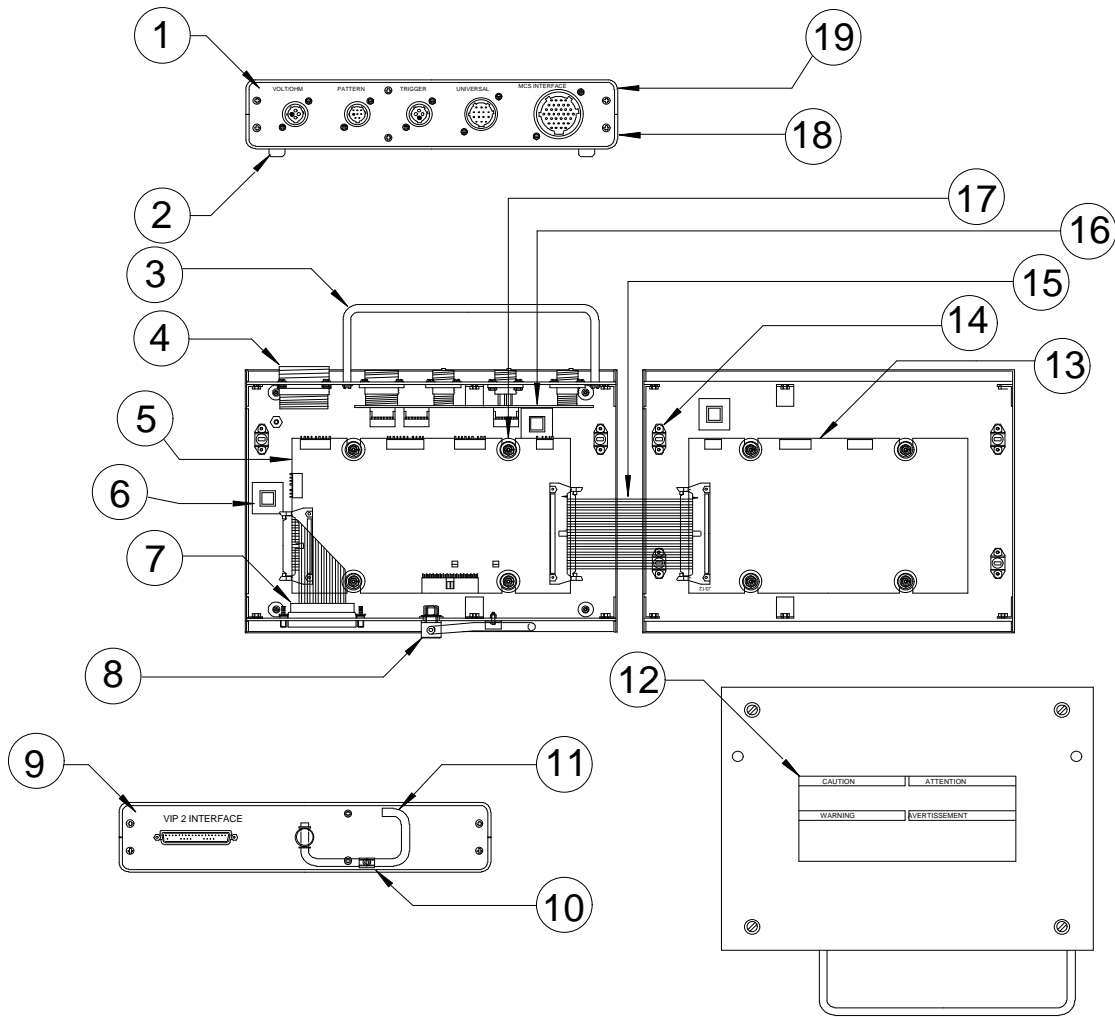
1. REMOVE FILTER BOWL FROM HOUSING BY TURNING THE RETAINER RING FULLY COUNTER CLOCKWISE.
2. INSPECT "O" RING ON FILTER HOUSING SHAFT AND FILTER HOUSING.
3. TURN THE ELEMENT RETAINER NUT COUNTER CLOCKWISE AND REMOVE FILTER ELEMENT.
4. REMOVE THE FILTER ELEMENT AND REPLACE WITH SUN NO. 0301-0945-01 ELEMENT. ( DO NOT ATTEMPT TO CLEAN )
5. WASH FILTER BOWL IN A SOLUTION OF DETERGENT AND WATER AND THEN AIR DRY.
6. ASSEMBLE IN REVERSE ORDER MAKING SURE "O" RING IS PROPERLY POSITIONED IN GROOVE IN FILTER HOUSING.

**PRIMARY FILTER ASSEMBLY**  
**75 MICRONS**  
**0301-0136-01**

**SECONDARY FILTER ASSEMBLY**  
**8 MICRONS**  
**0301-0135-01**



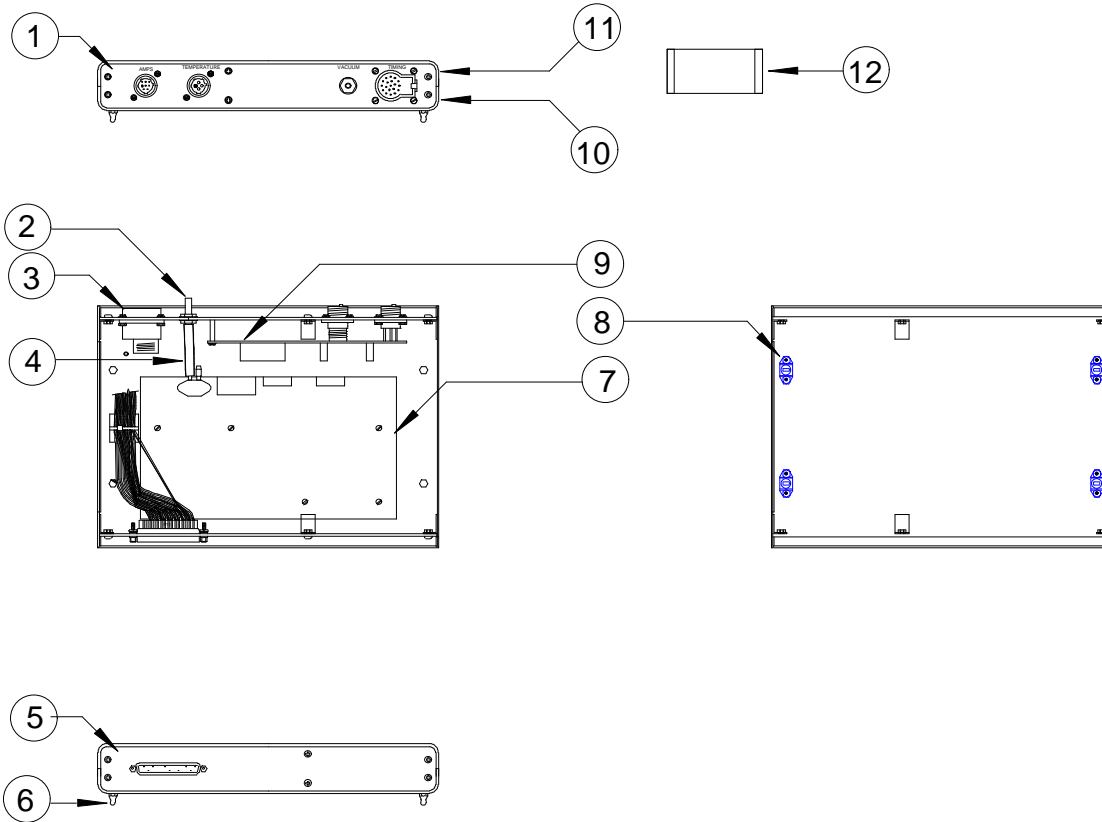
EDC-1



ITEM	DESCRIPTION	PART NUMBER
1	Plate, Connector	EASY074C10A
2	Bumper	1489-0007
3	Handle	0813-0061-01
4	Umbilical, Internal	7076-0990-01
5	PCB, Digital	7001-2305-01
6	Mount, Cable	5878-0902
7	Cable, EDC-1/2	6004-0811-01
8	Swivel, Hanger	0813-0903-01
9	Plate, Hanger	7003-0708-02
10	Clip, Retaining	0562-0023-02

ITEM	DESCRIPTION	PART NUMBER
11	Hanger	7012-1484-01
12	Label, Caution/Warning	0682-1000-01
13	PCB, Analog	7001-2306-01
14	Catch	5696-0007
15	Cable, Analog/Digital	6004-0776-01
16	PCB, Input	7001-2214-03
17	Grommet	0561-0147-01
18	Shell, Lower	7020-2114-02
19	Shell, Upper	7020-2115-02

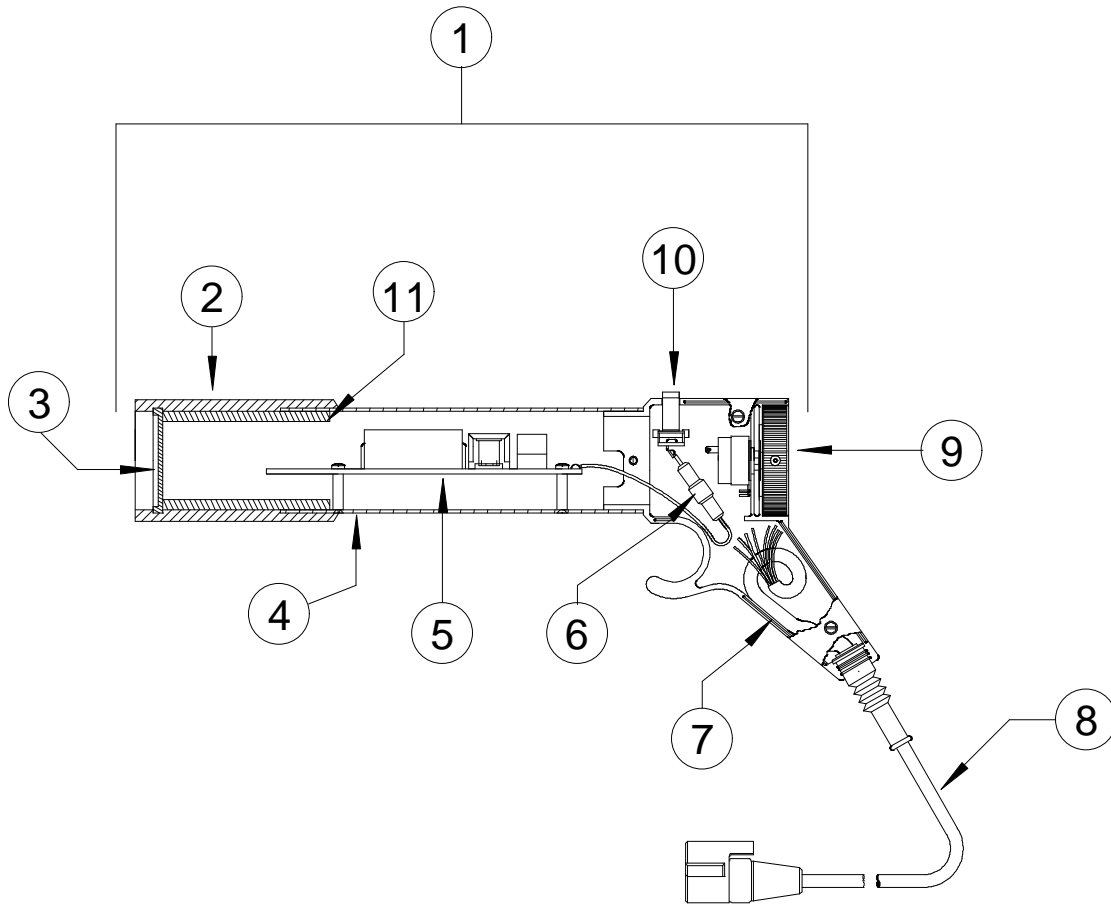
EDC-2



ITEM	DESCRIPTION	PART NUMBER
1	Plate, Connector	EASY074C20A
2	Nipple	2209
3	WH, Internal Timing	EAW0117C00A
4	Tubing, Vacuum 3/16" ID	2 1/4"
5	Plate, Rear	7003-0710-02
6	Fastener	5696-0008
7	PCB, Main	7001-2308-01

ITEM	DESCRIPTION	PART NUMBER
8	Catch	5696-0007
9	PCB, Input	7001-2237-02
10	Shell, Lower	7020-2116-02
11	Shell, Upper	7020-2117-02
12	Interconnect, EDC1-2	6004-0813-01
N/S	Label, EDC	EAL0218C00A

TIMING LIGHT



ITEM	DESCRIPTION	PART NUMBER
1	Timing Light	7009-1374-08
2	Lens Holder	7054-0021-01
3	Lens	0391-0007
4	Housing	7059-0406
5a	PCB, Timing	7001-2313-01
5b	Flash Tube	3905
5c	Transformer, Trigger	0007-8001
5d	Fuse, 2 Amp	0739-0106-09
6a	Fuse holder	1417-0025

ITEM	DESCRIPTION	PART NUMBER
6b	Fuse, 1A Slow Blow	0739-0040
7	Handle	7059-0511
8	Cable assembly	6004-0758-03
9a	Pot	0685-0360
9b	Knob	7009-1063
9c	Overlay	4055-0187
10	Switch	0764-0207
11	Tube, Reflector	7015-0059

## PARTS IN ALPHABETICAL ORDER

DESCRIPTION	PART NUMBER	COMMENTS
Adapter	0647-0028	
Adapter, 45 Degrees	0647-0137	
Adapter, Cblasy, Dil Y	6004-0775-02	
Adapter, Chry C2 Mag	7054-0062	
Adapter, Chry/Jeep/Eagle	0552-0120-01	
Adapter, Elbow	0647-0239-01	
Adapter, Filter Bowl Plug	0647-0138	
Adapter, Ford E Core	0552-0074-01	
Adapter, Pipe to Hose	0647-0070	
Adapter, Pipe to Hose	0647-0073	
Adapter, Tee	0647-0170	
Adapter, Thexton Gm/Ford Coil	0552-0043	
Adapter, Threaded to Hose	0647-0069	
Adapter, Universal Pattern	6004-0819-01	
Aspirator	7009-0728	
Assembly, Diode	7009-1486-03	
Banner	0692-2406-01	
Bench, IR 110V	7049-0126-01	
Bench, IR 220V	7049-0127-01	
Block Oxygen Sensor	7002-0261-01	
Boom, Journal	EASC063C50A	
Boom, Tube	EASC063C89A	
Bracket, Filter	7012-1382-01	Production Item
Bracket, NO Cell	EASP041C10A	Production Item
Bracket, Printer	EASB029C93A	Production Item
Bracket, Printer Mount	EASB029C97A	Production Item
Bushing, Heyco	2035-0008	
Bushing, Heyco	2035-0009	
CA, RJ45 to Mini-Din	EAW0016C01A	
Cable, Lonworks	EETA100A	
Cap	0787-0035	
Case, Computer	EAC0026C00A	
Caster Locking	3645-0053-02	
Caster Non Locking	3645-0053-01	
Ckt Breaker 12V DC Receptacle	1922-0112-02	
Clamp, Heyco	2035-0016	
Clip, Vinyl Coated	0562-0023-02	
Connector, 3-pin IEC Outlet	4162-0484	
Cover DB9	7014-1109-01	
Cover, Calibration Pots	EASP064C01A	
Cover, DB25	7014-1108-01	
Cover, DB37	7014-1212-01	
Cover, Front	EASC063C83A	
Cover, NO Cell	EASP041C00a	
Cover, O2 Block	7014-1183-01	
Cover, Plate (No Boom)	EASC063C76A	Production Item
Disk Drive, CD ROM	EAE0002C10A	
Disk Drive, Floppy 1.44Meg	0552-0064-01	
Disk Drive, Hard 1GB IDE	0552-0124-01	
Door, Front Computer	EASC063C86A	
Drawer Slide Ball	8-280	
Drawer, Computer	2500E2150	Production Item
Drawer, Keyboard	2500E2100	Production Item

DESCRIPTION	PART NUMBER	COMMENTS
Drawer, Printer	EASB029C93A	Production Item
Drawer, Storage	2500E2400	Production Item
EDC POD Holder	EASC063C15A	Production Item
End Cap Probe Protector	0301-0954-01	
Fan, 115V Axial	0587-0504	
Fan, 220V Axial	0587-0507-01	
Fan, Secondary Computer	EAA0071C41A	
Filter Assembly, Primary	0301-0136-01	
Filter Assembly, Secondary	0301-0135-01	
Filter Bowl	0301-0947-01	
Filter Element, Primary	0301-0944-01	
Filter Element, Secondary	0301-0945-01	
Filter, Air	0301-0126	
Fitting	0647-0083	
Fitting, Close Nipple	0647-0192-01	
Fitting, Elbow	0647-0044	
Fitting, Exhaust Port	7024-0325	
Fitting, Nipple	2209	
Fitting, Tee	0647-0102	
Fitting, Tee	0647-0186	
Grommet	0501-0003	
Handle, Cabinet	EASC029C81A	
Handle, POD	0813-0061-01	
Hanger	2161-0023	
Hanger, Boom	EASC069C10A	
Holder, Timing Light	EASC029C94A	
Hose	0669-0623	
Hose	0669-0733	
Hose	0669-0734	
Hose, Exhaust	3988-0255-01	
Housing Filter	0301-0942-01	
IC, Micro, Programmed	0773-2071-06	
IC, Prom, Programmed	0773-2069-06	
Jumper	6002-0349	
Keyboard	0552-0117-01	
Knob	0758-0206-01	
Knob, Cap, Plain, Gray	0758-0195-01	
Label, CD Front Panel	EAL0135C00A	
Label, Correlation	4600-0163	
Label, Overlay Keyboard	EAL0123C00A	
Label, Stickers	0682-1049-01	
Label, Unit Designation 400	EAL0220C00A	
Label, Unit Designation 450	EAL0216C00A	
Lead Assy	6002-0346	
Lead Assy, 15" Jumper	0002-0133-15	
Lead Assy, Adapt-0-Cable	EAW0060C00A	
Lead Assy, Current Pickup	6005-0171-03	
Lead Assy, HEI Pickup	1747-0102	
Lead Assy, Mag Probe	7009-2334-03	
Lead Assy, Pattern	6004-0763-02	
Lead Assy, Pattern Dual Hd	6004-0544-02	
Lead Assy, Pattern Pickup	1747-0101	
Lead Assy, Probe Assy	0507-0025-01	
Lead Assy, Temperature	6004-0407	
Lead Assy, Timing Light	7009-1374-08	
Lead Assy, Trigger Pickup	7009-2325-02	

DESCRIPTION	PART NUMBER	COMMENTS
Lead Assy, Universal	6005-0182-02	
Lead Assy, Vac Hose	6006-0003-02	
Lead Assy, Volt/Ohm Pinpoint	EAW0058C00A	
Lead Universal Extension	6004-0723-01	
Lead, Universal Cable Adapter, STL	6004-0795-01	
Lead, Vehicle Interface Chrysler	6004-0716-01	
Lead, Vehicle Interface Ford	6004-0718-01	
Lead, Vehicle Interface GM 12 pin	6004-0717-01	
Manifold, NO Cell	EAA0039C00A	
Manual, Operators	ZEEOS108A	
Microsoft® DOS 6.22	0552-0104-01	
Microsoft® Windows 3.11	0552-0125-01	
Monitor, 14" Acer	0859-0471-01	
Monitor, 14" Antec	0859-0469-01	
Monitor, 15" Acer	0859-0472-01	
Mount Rubber	0561-0144-01	
Mounting Kit, Acer Monitor	EAK0067C00AB	
Mounting Kit, Antec 15"	EAK0051C01AB	
Mouse, 3 Button Black	0552-0116-01	
Nut, 6-32 Keps	0616-0006	
Nut, Filter	0301-0946-01	
Nut, Filter Bowl	0301-0948-01	
Operator Instructions	0692-1617	For secondary adapter kit 0120-0544
Panel Back Left Side	EASC063C87A	
Panel Back Right Side	EASC063C81A	
Panel Back Support	EASC063C85A	
Panel, Back Door	EASC063C83A	
PCB, ALDL Reader	7001-0543-02	
PCB, Emissions Controller	EAP0067C00A	
PCB, Interface Lonworks	EAP0032C00A	
PCB, Keyboard Interface	EAP0052K00A	
PCB, Modem Interface 28.8k	EAP0071C00A	
PCB, Motherboard w/CPU	EAP0068C00A	
PCB, PC Interface Card	7001-2303-04	
PCB, Pod 2 Input	7001-2237-02	
PCB, Pod 2 Main	7001-2308-01	
PCB, Pod Input	7001-2214-03	
PCB, Power Distribution	7001-2300-01	
PCB, Remote Sensor	EAP0036K00A	
PCB, SMT Analog	7001-2306-01	
PCB, SMT, Digital	7001-2305-01	
PCB, STL Interface	7001-2298-01	
PCB, STL Interface Card	7001-2301-01	
PCB, Terminal	7008-0054	
PCB, Terminal	7008-0318	
PCB, Video Interface Card	EAP0069C00A	
Plane, Top	EASC063C84A	
Plate Accessories	EASC029C95A	
Plate, Boom Connector	EASY028C45A	
Plate, Connector Screened	EASY029C80A	
Plate, IR False	EASC026C92A	Production Item
Plate, Striker	7003-0586	
Plug Double D	7014-1108-01	
Plug,	1374-0124-01	
Plug, 9/16"	11776	
Pneumatic Assy., NO Cell	EAH0016C00A	

DESCRIPTION	PART NUMBER	COMMENTS
Power Supply 230 Watt	0532-0029-02	
Printer, Image Drum	0528-1091-01	
Printer, LED	0528-0031-01	
Printer, Paper	0528-1088-01	
Printer, Toner Cartridge	0528-1092-01	
Probe, Exhaust Assy.	7009-1869-01	
Pump, Vacuum 110V	7009-2032-02	
Pump, Vacuum 220V	7009-2032-03	
Remote Control	EERC102A	
Restrictor	3841-0101-05	
Restrictor, Flow	3841-0101	
Restrictor, Flow	3841-0111-01	
Screw Self Tapping 6/32	0610-3423-04	
Seal, "O" Ring	0301-0943-01	
Sensor Oxygen	7049-0004-01	
Shock mount, Rubber Blue	0561-0147-01	
Slide Rail IR Drawer	81782	
Spacer, # 6-32 Hex	0429-0044-16	Production Item
Storage, Rear	EASC063C79A	
Switch, Leak Check	0549-0017	
Switch, Low Flow	0549-0019-02	
Switch, Power Ckt Breaker	1922-0116-21	
Terminator A, Lonworks	EETA101A	
Terminator B, Lonworks	EETA102A	
Test Clip	0672-0035-01	
Transducer, NO	0514-0036-01	
Trim	51241	
Tubing, Hose 5/16	0669-0007	
Tubing, Poly 3/16	0669-0229	
Tubing, Poly, 1/4	0669-0220	
Tubing, Probe Protector	0669-0299-01	
Valve Assembly, Vacuum	7009-1430	
Valve, Solenoid	0304-0035	
Valve, Solenoid 3-way	0304-0044-01	
WH 1, Internal Power Distribution	7076-1011-01	
WH 10, 12V Option	7076-0690-01	
WH 11, STL	7076-0562-04	
WH 12, IDE, Secondary	EAW0114K00A	
WH 13, Sun Bus	7076-1015-01	
WH 14, IR Remote Interface	EAW0046K00A	
WH 15, Keyboard/Arbitrator	EAW0083C00A	
WH 16, Emission Interface	7076-1014-01	
WH 17, IR Cable Assy.	6004-0355-02	
WH 18, Solenoid Harness	7076-0882-02	
WH 19, Harness.	7076-1017-01	
WH 2, HDD 'Y' Power Adapter	EAW0011C00A	
WH 20, Harness, Fan	7076-0753-03	
WH 21, Harness, Pump/Relay	EAW0064C00A	
WH 22, Harness AC Bench	7076-0887-02	
WH 23, EDC, Pri/Coil/Bat. Interconnect	7076-0944-01	
WH 24, Harness, Ign/Pinpt. Interconnect	7076-0943-01	
WH 25, Harness, Mag.	7076-0989-01	
WH 26, Ribbon, Ana/Dig Interconnect	6004-0776-01	
WH 27, Umbilical, Internal	7076-0990-01	
WH 28, Ribbon, EDC2 Interface Internal	6004-0811-01	
WH 29, Umbilical, External	6004-0768-01	

<b>DESCRIPTION</b>	<b>PART NUMBER</b>	<b>COMMENTS</b>
WH 3, Printer Cable	EAW0072C00A	
WH 30, Ribbon, EDC1/2 External	6004-0813-01	
WH 31, Harness, Amps	7076-0982-01	
WH 32, Harness, Timing Interface	7076-0985-01	
WH 33, Harness, Internal Timing	EAW0117C00A	
WH 34, Ribbon, EDC1 Interface Internal	7076-0991-01	
WH 35, Harness, AC Box	EAW0115C00A	
WH 36, Ground Wire	EAX0017C00A	
WH 37, AC Power	6001-0177-01	
WH 38, Monitor Power	EAW0135C00A	
WH 39, Computer Power	6001-0183-03	
WH 4, Printer AC Power	6001-0183-04	
WH 40, IR Power	EAW0110C00A	
WH 5, Host/Pod DC Power	EAW0111C00A	
WH 6, Serial Extension	EAW0089C01A	
WH 7, Serial Interface	6004-0576-05	
WH 8, Monitor Data	EAW0048K00A	
WH 9, Modem	6004-0606-01	
WH, NO Interface	EAW0032C00A	



## PARTS IN NUMERICAL ORDER

PART NUMBER	DESCRIPTION	COMMENTS
0002-0133-15	Lead Assy, 15" Jumper	
0301-0126	Filter, Air	
0301-0135-01	Filter Assembly, Secondary	
0301-0136-01	Filter Assembly, Primary	
0301-0942-01	Housing Filter	
0301-0943-01	Seal, "O" Ring	
0301-0944-01	Filter Element, Primary	
0301-0945-01	Filter Element, Secondary	
0301-0946-01	Nut, Filter	
0301-0947-01	Filter Bowl	
0301-0948-01	Nut, Filter Bowl	
0301-0954-01	End Cap Probe Protector	
0304-0035	Valve, Solenoid	
0304-0044-01	Valve, Solenoid 3-way	
0429-0044-16	Spacer, # 6-32 Hex	Production Item
0501-0003	Grommet	
0507-0025-01	Lead Assy, Probe Assy	
0514-0036-01	Transducer, NO	
0528-0031-01	Printer, LED	
0528-1088-01	Printer, Paper	
0528-1091-01	Printer, Image Drum	
0528-1092-01	Printer, Toner Cartridge	
0532-0029-02	Power Supply 230 Watt	
0549-0017	Switch, Leak Check	
0549-0019-02	Switch, Low Flow	
0552-0043	Adapter, Thexton Gm/Ford Coil	
0552-0064-01	Disk Drive, Floppy 1.44Meg	
0552-0074-01	Adapter, Ford E Core	
0552-0104-01	Microsoft® DOS 6.22	
0552-0116-01	Mouse, 3 Button Black	
0552-0117-01	Keyboard	
0552-0120-01	Adapter, Chry/Jeep/Eagle	
0552-0124-01	Disk Drive, Hard 1GB IDE	
0552-0125-01	Microsoft® Windows 3.11	
0561-0144-01	Mount Rubber	
0561-0147-01	Shock mount, Rubber Blue	
0562-0023-02	Clip, Vinyl Coated	
0587-0504	Fan, 115V Axial	
0587-0507-01	Fan, 220V Axial	
0610-3423-04	Screw Self Tapping 6/32	
0616-0006	Nut, 6-32 Keps	
0647-0028	Adapter	
0647-0044	Fitting, Elbow	
0647-0069	Adapter, Threaded to Hose	
0647-0070	Adapter, Pipe to Hose	
0647-0073	Adapter, Pipe to Hose	
0647-0083	Fitting	
0647-0102	Fitting, Tee	
0647-0137	Adapter, 45 Degrees	
0647-0138	Adapter, Filter Bowl Plug	
0647-0170	Adapter, Tee	
0647-0186	Fitting, Tee	
0647-0192-01	Fitting, Close Nipple	

PART NUMBER	DESCRIPTION	COMMENTS
0647-0239-01	Adapter, Elbow	
0669-0007	Tubing, Hose 5/16	
0669-0220	Tubing, Poly, 1/4	
0669-0229	Tubing, Poly 3/16	
0669-0299-01	Tubing, Probe Protector	
0669-0623	Hose	
0669-0733	Hose	
0669-0734	Hose	
0672-0035-01	Test Clip	
0682-1049-01	Label, Stickers	
0692-1617	Operator Instructions	For secondary adapter kit 0120-0544
0692-2406-01	Banner	
0758-0195-01	Knob, Cap, Plain, Gray	
0758-0206-01	Knob	
0773-2069-06	IC, Prom, Programmed	
0773-2071-06	IC, Micro, Programmed	
0787-0035	Cap, Probe	
0813-0061-01	Handle, POD	
0859-0469-01	Monitor, 14" Antec	
0859-0471-01	Monitor, 14" Acer	
0859-0472-01	Monitor, 15" Acer	
11776	Plug, 9/16"	
1374-0124-01	Plug,	
1747-0101	Lead Assy, Pattern Pickup	
1747-0102	Lead Assy, HEI Pickup	
1922-0116-21	Switch, Power Ckt Breaker	
1922-0112-02	Ckt Breaker 12V DC Receptacle	
2035-0008	Bushing, Heyco	
2035-0009	Bushing, Heyco	
2035-0016	Clamp, Heyco	
2161-0023	Hanger	
2209	Fitting, Nipple	
2500E2100	Drawer, Keyboard	Production Item
2500E2150	Drawer, Computer	Production Item
2500E2400	Drawer, Storage	Production Item
3645-0053-01	Caster Non Locking	
3645-0053-02	Caster Locking	
3841-0101	Restrictor, Flow	
3841-0101-05	Restrictor	
3841-0111-01	Restrictor, Flow	
3988-0255-01	Hose, Exhaust	
4162-0484	Connector, 3-pin IEC Outlet	
4600-0163	Label, Correlation	
51241	Trim	
6001-0177-01	WH 37, AC Power	
6001-0183-03	WH 39, Computer Power	
6001-0183-04	WH 4, Printer AC Power	
6002-0346	Lead Assy	
6002-0349	Jumper	
6004-0355-02	WH 17, IR Cable Assy.	
6004-0407	Lead Assy, Temperature	
6004-0544-02	Lead Assy, Pattern DualHd	
6004-0576-05	WH 7, Serial Interface	Production Item
6004-0606-01	WH 9, Modem	
6004-0716-01	Lead, Vehicle Interface Chrysler	
6004-0717-01	Lead, Vehicle Interface GM 12 pin	

PART NUMBER	DESCRIPTION	COMMENTS
6004-0718-01	Lead, Vehicle Interface Ford	
6004-0723-01	Lead Universal Extension	
6004-0763-02	Lead Assy, Pattern	
6004-0768-01	WH 29, Umbilical, External	
6004-0775-02	Adapter, Cblasy, Dil Y	
6004-0776-01	WH 26, Ribbon, Ana/Dig Interconnect	
6004-0795-01	Lead, Universal Cable Adapter, STL	
6004-0811-01	WH 28, Ribbon, EDC2 Interface Internal	
6004-0813-01	WH 30, Ribbon, EDC1/2 External	
6004-0819-01	Adapter, Universal Pattern	
6005-0171-03	Lead Assy, Current Pickup	
6005-0182-02	Lead Assy, Universal	
6006-0003-02	Lead Assy, Vac Hose	
7001-0543-02	PCB, ALDL Reader	
7001-2214-03	PCB, Pod Input	
7001-2237-02	PCB, Pod 2 Input	
7001-2298-01	PCB, STL Interface	
7001-2300-01	PCB, Power Distribution	
7001-2301-01	PCB, STL Interface Card	
7001-2303-04	PCB, PC Interface Card	
7001-2305-01	PCB, SMT, Digital	
7001-2306-01	PCB, SMT Analog	
7001-2308-01	PCB, Pod 2 Main	
7002-0261-01	Block Oxygen Sensor	
7003-0586	Plate, Striker	
7008-0054	PCB, Terminal	
7008-0318	PCB, Terminal	
7009-0728	Aspirator	
7009-1374-08	Lead Assy, Timing Light	
7009-1430	Valve Assembly, Vacuum	
7009-1486-03	Assembly, Diode	
7009-1869-01	Probe, Exhaust Assy.	
7009-2032-02	Pump, Vacuum 110V	
7009-2032-03	Pump, Vacuum 220V	
7009-2325-02	Lead Assy, Trigger Pickup	
7009-2334-03	Lead Assy, Mag Probe	
7012-1382-01	Bracket, Filter	
7014-1108-01	Cover, DB25	
7014-1108-01	Plug Double D	
7014-1109-01	Cover DB9	
7014-1183-01	Cover, O2 Block	
7014-1212-01	Cover, DB37	
7024-0325	Fitting, Exhaust Port	
7049-0004-01	Sensor Oxygen	
7049-0126-01	Bench, IR 110V	
7049-0127-01	Bench, IR 220V	
7054-0062	Adapter, Chry C2 Mag	
7076-0562-04	WH 11, STL	Production Item
7076-0690-01	WH 10,12V Option	Production Item
7076-0753-03	WH 20, Harness, Fan	Production Item
7076-0882-02	WH 18, Solenoid Harness	Production Item
7076-0887-02	WH 22, Harness AC Bench	Production Item
7076-0943-01	WH 24, Harness, Ign/Pinpt. Interconnect	Production Item
7076-0944-01	WH 23, EDC, Pri/Coil/Bat. Interconnect	Production Item
7076-0982-01	WH 31, Harness, Amps	Production Item
7076-0985-01	WH 32, Harness, Timing Interface	Production Item

PART NUMBER	DESCRIPTION	COMMENTS
7076-0989-01	WH 25, Harness, Mag.	Production Item
7076-0990-01	WH 27, Umbilical, Internal	Production Item
7076-0991-01	WH 34, Ribbon, EDC1 Interface Internal	Production Item
7076-1011-01	WH 1, Internal Power Distribution	Production Item
7076-1014-01	WH 16, Emission Interface	Production Item
7076-1015-01	WH 13, Sun Bus	Production Item
7076-1017-01	WH 19, Harness.	Production Item
81782	Slide Rail IR Drawer	
8-280	Drawer Slide Ball	
EAA0039C00A	Manifold, NO Cell	
EAA0071C41A	Fan, Secondary Computer	
EAC0026C00A	Case, Computer	Production Item
EAE0002C10A	Drive, CDROM	
EAK0051C01AB	Mounting Kit, Antec 15"	
EAH0016C00A	Pneumatic Assy., NO Cell	
EAK0067C00AB	Mounting Kit, Acer Monitor	
EAL0123C00A	Label, Overlay Keyboard	
EAL0135C00A	Label, CD Front Panel	
EAL0216C00A	Label, Unit Designation 450	
EAL0220C00A	Label, Unit Designation 400	
EAP0032C00A	PCB, Interface Lonworks	
EAP0036K00A	PCB, Remote Sensor	
EAP0052K00A	PCB, Keyboard Interface	
EAP0067C00A	PCB, Emissions Controller	
EAP0068C00A	PCB, Motherboard w/CPU	
EAP0069C00A	PCB, Video Interface Card	
EAP0071C00A	PCB, Modem Interface 28.8k	
EASB029C93A	Bracket, Printer	Production Item
EASB029C93A	Drawer, Printer	Production Item
EASB029C97A	Bracket, Printer Mount	Production Item
EASC026C92A	Plate, IR False	Production Item
EASC029C81A	Handle, Cabinet	
EASC029C94A	Holder, Timing Light	
EASC063C15A	EDC POD Holder	
EASC063C40A	Drawer, Printer	Production Item
EASC063C50A	Boom, Journal	Production Item
EASC063C76A	Cover, Plate (No Boom)	Production Item
EASC063C79A	Storage, Rear	
EASC063C81A	Panel Back Right Side	Production Item
EASC063C82A	Cover, Front	
EASC063C83A	Panel, Back Door	Production Item
EASC063C84A	Plane, Top	
EASC063C85A	Panel Back Support	
EASC063C86A	Door, Front Computer	
EASC063C87A	Panel Back Left Side	
EASC063C89A	Boom, Tube	
EASC069C10A	Hanger, Boom	
EASP041C00a	Cover, NO Cell	
EASP041C10A	Bracket, NO Cell	Production Item
EASP064C01A	Cover, Calibration Pots	
EASY028C45A	Plate, Boom Connector	Production Item
EASY029C80A	Plate, Connector Screened	Production Item
EAW0011C00A	WH 2, HDD 'Y' Power Adapter	Production Item
EAW0016C01A	CA, RJ45 to Mini-Din	Production Item
EAW0032C00A	WH, NO Interface	Production Item
EAW0046K00A	WH 14, IR Remote Interface	Production Item

---

<b>PART NUMBER</b>	<b>DESCRIPTION</b>	<b>COMMENTS</b>
EAW0048K00A	WH 8, Monitor Data	
EAW0058C00A	Lead Assy, Volt/Ohm Pinpoint	
EAW0060C00A	Lead Assy, Adapt-0-Cable	
EAW0064C00A	WH 21, Harness, Pump/Relay	Production Item
EAW0072C00A	WH 3, Printer Cable	
EAW0083C00A	WH 15, Keyboard/Arbitrator	Production Item
EAW0089C01A	WH 6, Serial Extension	Production Item
EAW0110C00A	WH 40, IR Power	Production Item
EAW0111C00A	WH 5, Host/Pod DC Power	Production Item
EAW0114K00A	WH 12, IDE, Secondary	Production Item
EAW0115C00A	WH 35, Harness, AC Box	Production Item
EAW0117C00A	WH 33, Harness, Internal Timing	Production Item
EAW0135C00A	WH 38, Monitor Power	
EAX0017C00A	WH 36, Ground Wire	Production Item
EERC102A	Remote Control	
EETA100A	Cable, Lonworks	
EETA101A	Terminator A, Lonworks	
EETA102A	Terminator B, Lonworks	
ZEEOS108A	Manual, Operators	

## LEADS &amp; ACCESSORIES

PART NUMBER	DESCRIPTION	COMMENTS
0002-0133-15	Lead Assy	
0301-0944-01	Filter Element,75 Micron	
0301-0945-01	Filter Element,8 Micron	
0507-0025-01	Lead Assy, Probe Assy	
0552-0043	Adapter, Thexton Gm/Ford Coil	
0552-0044	Adapter, Thexton Gm Ext Coil	
0552-0116-01	Mouse,3 Button Black	
0552-0120-01	Adapter, Chry/Jeep/Eagle	
0647-0170	Adapter, Tee	
0669-0220	Hose, Poly, 1/4 ID	
0669-0623	Hose	
0669-0733	Hose	
0669-0734	Hose	
0672-0035-01	Test Clip	
0682-1049-01	Label, Stickers	
0692-1617	Operator Instructions	For secondary adapter kit 0120-0544
0787-0035	Cap	
1747-0101	Lead Assy, Pat Pickup	
1747-0102	Lead Assy, HEI Pickup	
3988-0255-01	Lead, Exhaust Hose 3/16"	
6002-0346	Lead Assy	
6002-0349	Jumper	
6004-0407	Lead Assy, Temperature	
6004-0544-02	Lead Assy, Pattern DualHd	
6004-0716-01	Lead, Vehicle Interface Chrysler	
6004-0717-01	Lead, Vehicle Interface GM 12 pin	
6004-0718-01	Lead, Vehicle Interface Ford	
6004-0723-01	Lead Universal Extension	
6004-0763-02	Lead Assy, Pattern	
6004-768-01	Lead Assy, Umbilical	
6004-0775-02	Adapter, Cblasy, Dil Y	
6004-0795-01	Lead, Universal Cable Adapter, STL	
6004-0819-01	Adapter, Universal Pattern	
6005-0171-03	Lead Assy, Current Pickup	
6005-0182-02	Lead Assy, Universal	
6006-0003-02	Lead Assy, Vac Hose	
7009-1374-08	Lead Assy, Timing Light	
7009-1869-01	Lead Assy, Exhaust Probe	
7009-2325-02	Lead Assy, Trigger Pickup	
7009-2334-03	Lead Assy, Mag Probe	
7049-0004-01	Oxygen Sensor	
7054-0062	Adapter, Chry C2 Mag	
EAW0058C00A	Lead Assy, Volt/Ohm Pinpoint	
EAW0060C00A	Adapt-0-Cable	
EERC102A	Remote Control	