

CHAPTER 20

PARTS

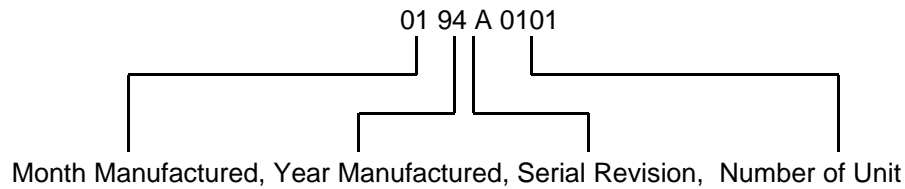
GENERAL

This chapter describes assemblies, subassemblies, and parts considered replaceable at on-site field installations.

Serial number location is on the rear cabinet top right hand side.
Serial Number breakdown is as follows:

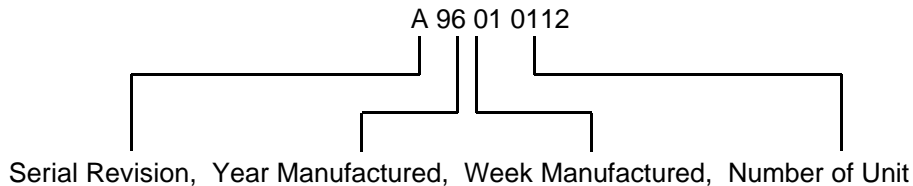
All Units Built Before 1995:

Example:



All Units Built After Jan 1, 1995:

Example:



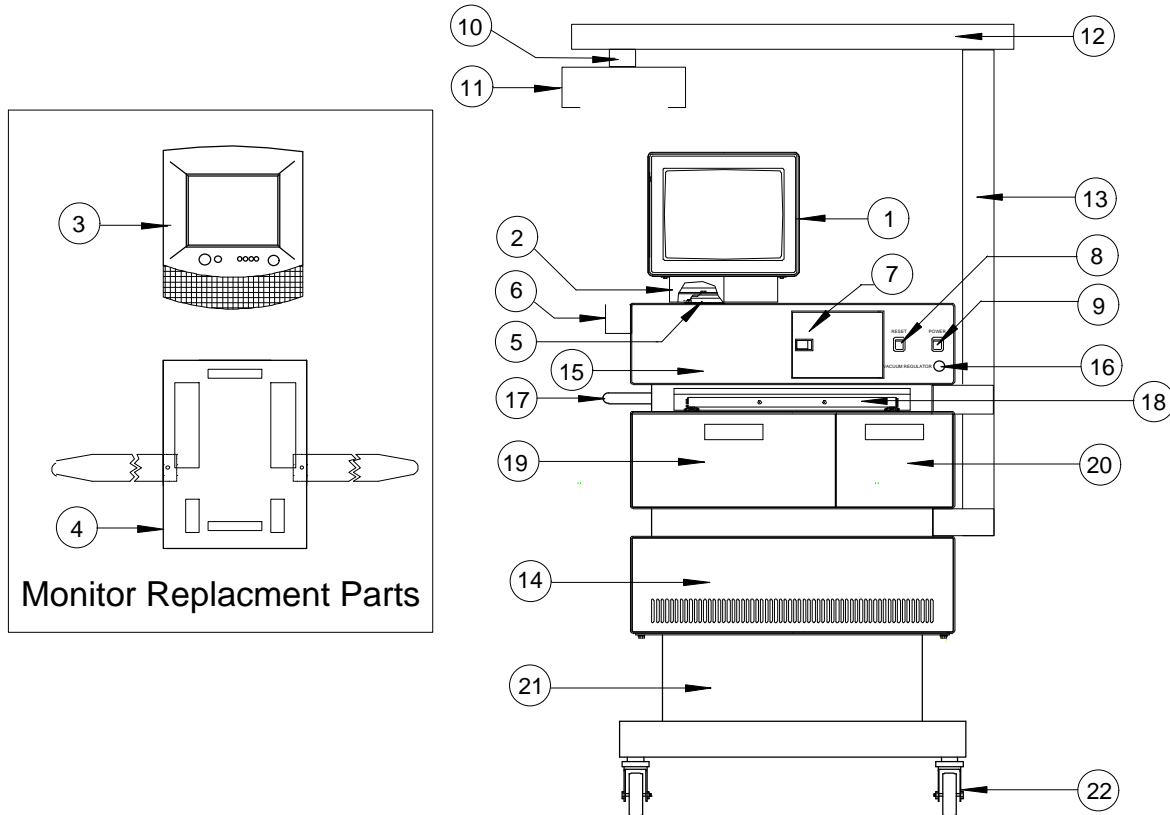
NOTE: *The MCS-4000 circuit boards are not being purchased preconfigured. The configuration of all circuit boards must be checked before placement into the unit. Refer to Configuration Manual.*

NOTE: *Within the parts descriptions there are two abbreviations that are being used, one of them is WA = Weld Assembly the other is WH = Wiring Harness. The WH Numbers are for service reference only.*

NOTE: *If a part is listed as a production item, it is not available in CO stock. Production items may not be shown in the parts by pictorial pages. If the unit is not currently being manufactured Production Items will not be available.*

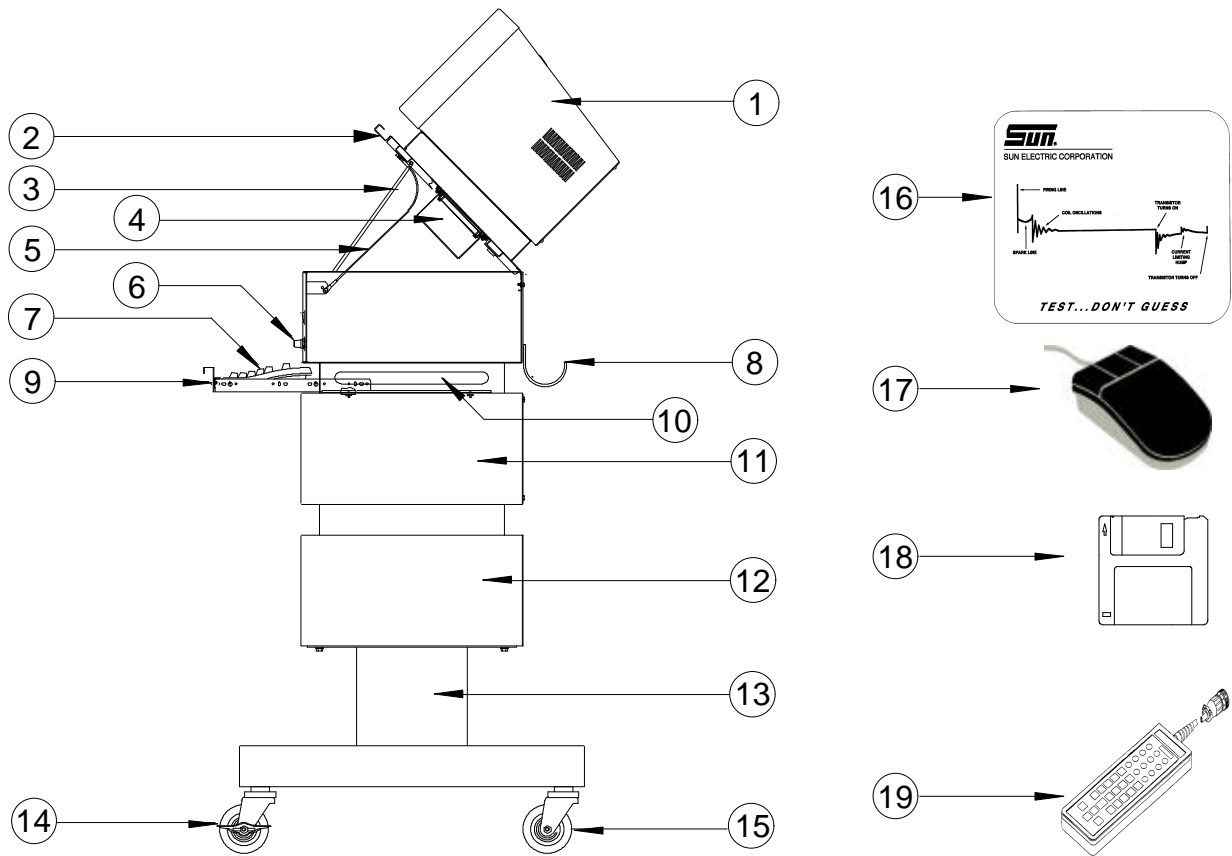
PARTS BY PICTORIAL

FRONT VIEW (SHOWN WITH OPTIONAL BOOM KIT ASSEMBLY)



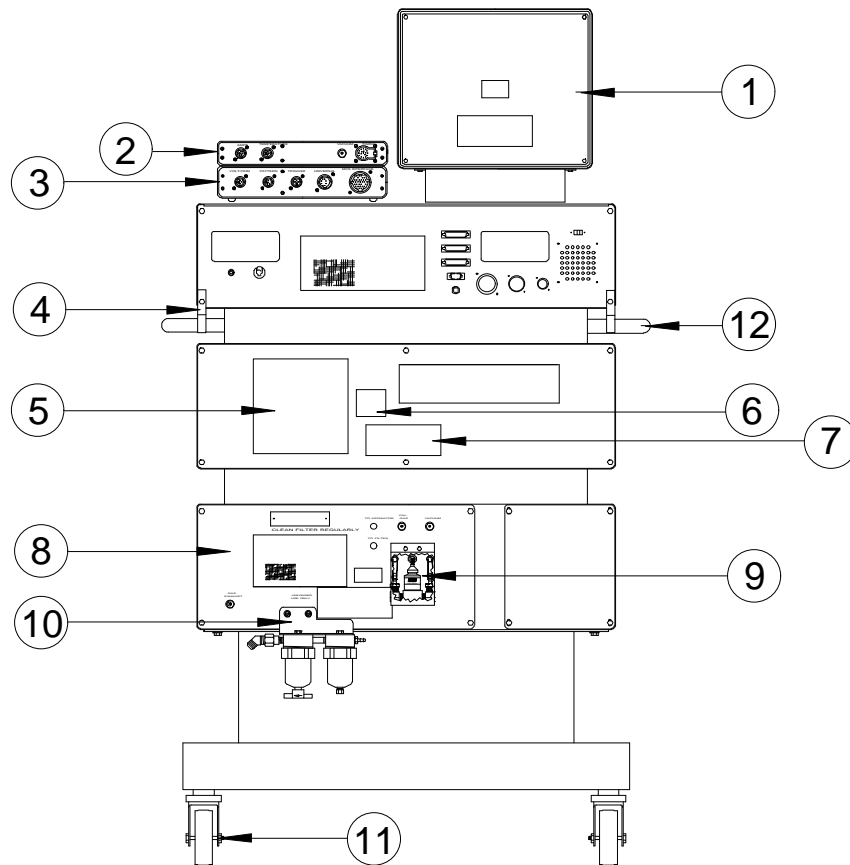
ITEM	DESCRIPTION	PART NUMBER	ITEM	DESCRIPTION	PART NUMBER
1	Monitor, Color 115V ser A	0859-0418-01	15	WA, Computer Module	7020-2059-01
1a	Monitor, Color 115V ser B	0859-0465-02	15a	WA, Panel, Front	7020-2058-01
1b	AC Cord, Monitor Power	6001-0199-01	16	Valve Assembly, Vacuum	7009-1430
2	WA, Monitor Base ser A	7020-2109-01	16a	Knob, Cap	0758-0195-01
2a	WA, Monitor Base ser B	7003-0745-01	16b	Knob, Push On	0758-0206-01
3	Monitor, 14"(Acer, 7133S)	0859-0471-01	17	Handle, Unit Side	0813-0059-02
3a	Monitor, 15"(Acer, 7177S)	0859-0472-01	18	Keyboard Assembly	See Page 20-3
3b	Monitor, 17"(Acer, 7176S)	0859-0468-01	19	WA, Printer Panel	7005-2444-01
4	Kit, Monitor Swivel	EAK0108L01A	19a	Slide, 16"Drawer	0109-0023-03
5	Swivel, Barstool	7024-1000-01	19b	Handle, Push-in	0813-0052-02
6	Bracket, Timing Light	7012-1523-01	19c	WH, Printer Outlet Assy	7009-2329-01
7	WA, Disk Drive Door	7020-2060-01	19d	WA, Bracket, Paper Guide	7012-1454-01
7a	Latch, Door	5666-0051-01	19e	WA, Bracket, Paper	7012-1455-01
8	Reset Switch	0764-0241-01	19f	WA, Bracket, Printer RH	7012-1448-01
9	On/Off Switch	0764-0231	19g	WA, Bracket, Printer LH	7012-1448-02
10*	Swivel, Barstool	7024-1000-01	19h	WA, Brkt, Paper Storage	7012-1449-01
11*	POD Holder (VIPs)	7003-0711-01	20	WA, Storage Panel	7005-2445-01
11a	POD Holder (PODs)	7003-0721-01	20a	Slide, 10"Drawer	0109-0023-01
12*	WA, Boom	7009-2404-01	20b	Handle, Push-in	0813-0052-02
13*	WA, Boom Collar	EAS0017C00A	21	WA, Frame	7009-2485-01
14	WA, Panel, Filter IR	7005-2434-01	22	Caster W/Brake	3645-0053-02
14a	Filter, Air	0301-0138-02	22a	Caster W/O Brake	3645-0053-01
14b	Fastener	5696-0008	*	Boom Kit, MCS-4000	1091-0258-01

RIGHT SIDE VIEW



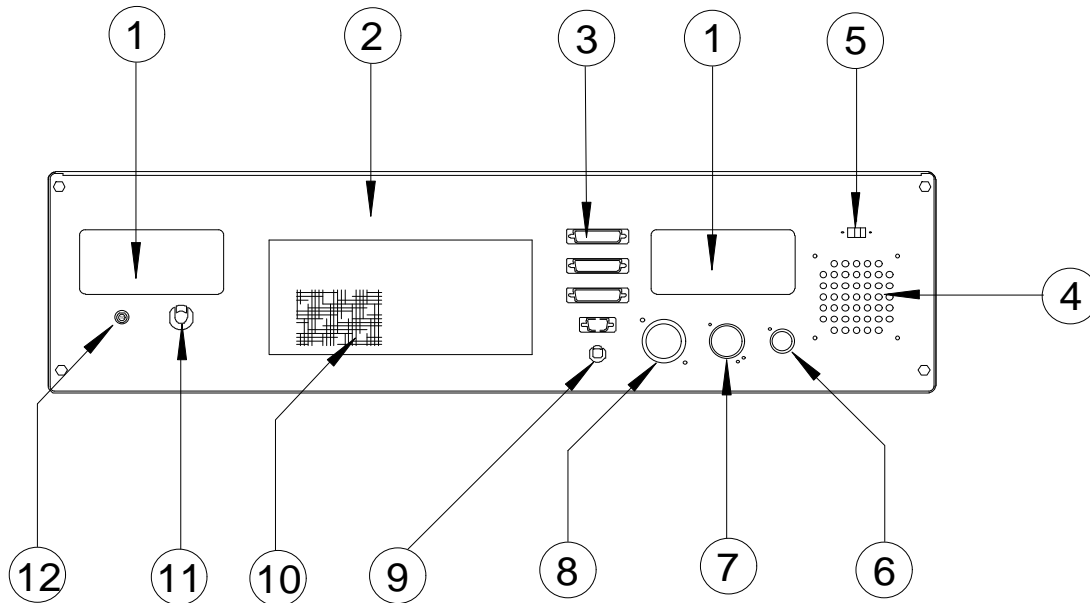
ITEM	DESCRIPTION	PART NUMBER	ITEM	DESCRIPTION	PART NUMBER
1	Monitor Assembly	See Page 20-2	9	Slide, 14"Keyboard	0109-0025-01
2	WA, Cover	7020-2108-01	10	Handle, Unit Side	0813-0059-02
3	Rod, Prop	7002-0260-01	11	Mid Cabinet Assembly	See Page 20-2
4	Power Supply, Computer	0532-0018	12	IR Drawer Assembly	See Page 20-9
4a	Cover, Power Supply	7014-1166-01	12a	IR Back Panel Assembly	See Page 20-10
5	Stop Assembly	7500-1338-03	13	WA, Frame	7009-2485-01
6	Valve Assembly, Vacuum	7009-1430	14	Caster W/Brake	3645-0053-02
6a	Knob, Cap	0758-0195-01	15	Caster W/O Brake	3645-0053-01
6b	Knob, Push On	0758-0206-01	16	Mouse Pad	0552-0103-01
7	Keyboard, AT/XT (Old)	0552-0990-01	17	Mouse, Honeywell	0552-0089-01
7a	Keyboard, 101 Key (New)	0552-0117-01	17a	Mouse, 3 Button, Black	0552-0116-01
7b	Keyboard Skin, AT/XT	0552-0993-01	18	Disk, MS-DOS 5.0	0552-0082-01
7c	Keyboard Skin (New)	0552-1086-01	18a	Disk, MS-DOS 6.22	0552-0104-01
7d	Label, Keyboard	0682-1109-01	18b	Disk, MS Windows 3.11	0552-0125-01
8	Hanger, Cable	2161-0023	19	Remote Control Assembly	See Page 20-17

REAR VIEW



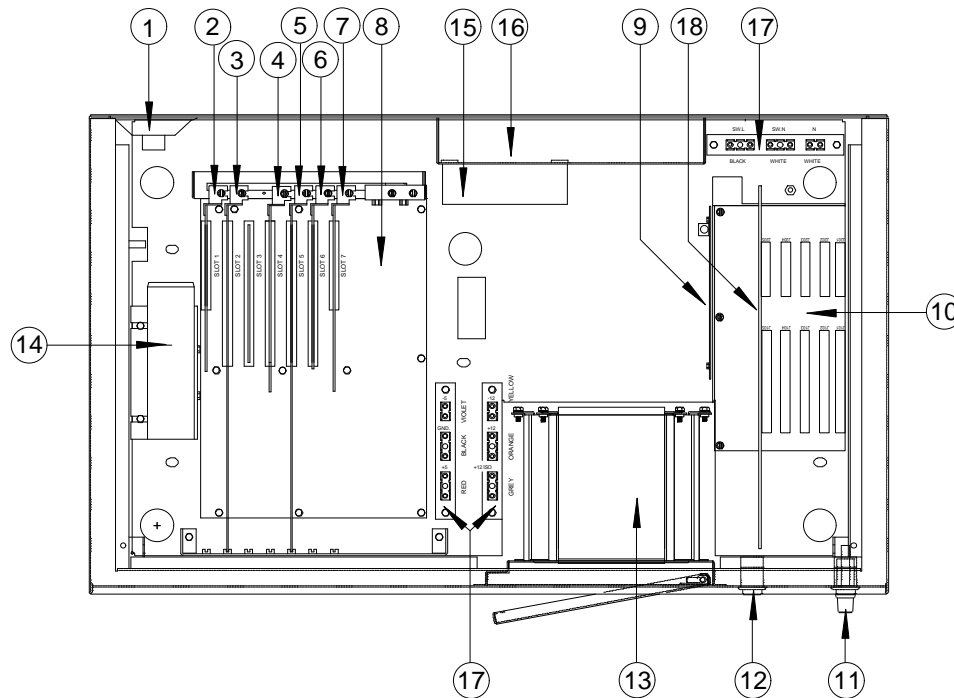
ITEM	DESCRIPTION	PART NUMBER	ITEM	DESCRIPTION	PART NUMBER
1	Monitor Assembly	See Page 20-2	7	Label, Caution UL/CSA	0682-1001-01
2	Pod 1 Assembly (Old)	See Page 20-12	8	IR Drawer Assembly	See Page 20-9
2a	VIP 1 Assembly	See Page 20-14	8a	IR Back Panel Assembly	See Page 20-10
3	Pod 2 Assembly (Old)	See Page 20-13	9	Sensor, Oxygen	7049-0004-01
3a	VIP 2 Assembly	See Page 20-15	10	Filter Assembly	See Page 20-11
4	Hanger, Cable	2161-0023	11	Caster W/O Brake	3645-0053-01
5	Label, Filter Maintenance	0682-0807-01	11a	Caster W/ Brake	3645-0053-02
5a	Power Supply (Pod)	7009-2364-01	12	Handle, Unit Side	0813-0059-02
6	Label, Warning Power	0682-1089-01			

REAR PANEL ASSEMBLY



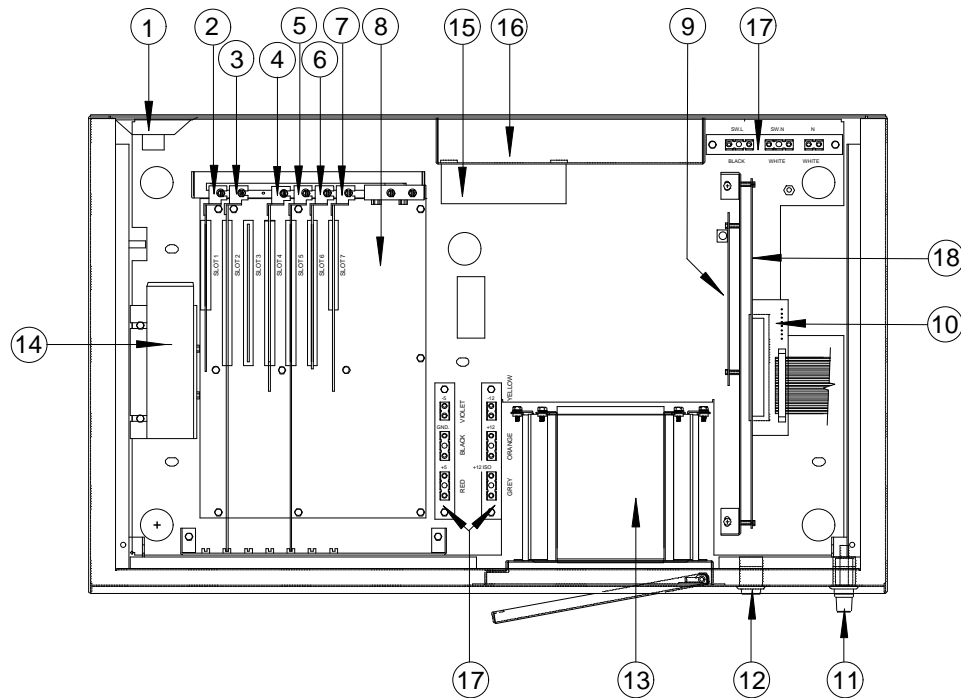
ITEM	DESCRIPTION	PART NUMBER	ITEM	DESCRIPTION	PART NUMBER
1	WA, Cover, Expansion	7014-1122-01	9	Cover, Plug, Button	1734-0031
2	Panel Assy, Rear	7005-2440-01	9a	Bushing, Heyco, Modem	2035-0009
3	Cover, DB25	7014-1108-01	10	Filter, Air 9 3/4 x 4 1/2	0301-0138-05
4	Speaker, Computer	0514-0305	10a	Fan, Axial 115V	0587-0504
5	Switch, SWI. Speaker	0764-0216-02	10b	Fan, Axial 220V	0587-0507-01
5a	WH, W47, Audio Output	7076-0790-01	10c	WA, Fan Filter Housing	7020-2061-01
6	Cover, Connector	7014-1120-01	10d	Label, Fan Caution	0682-0294
6a	Socket, Remote	4162-0834-01	11	Bushing, Heyco, AC Power	2035-0008
7	Cover, Connector	7014-0171	11a	WH, AC Power 115V	6001-0177-01
7a	Socket, ALDL	4162-0836-01	11b	WH, AC Power 220V	6001-0178
7b	WH, W22, ALDL	7076-0562-03	12	Circuit Breaker 115V	1922-0105-25
8	WH, Host Pod Internal	7076-0970-01	12a	Circuit Breaker 220V	1922-0105-19

COMPUTER MODULE ASSEMBLY (SERIAL A)



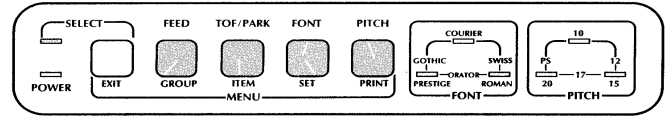
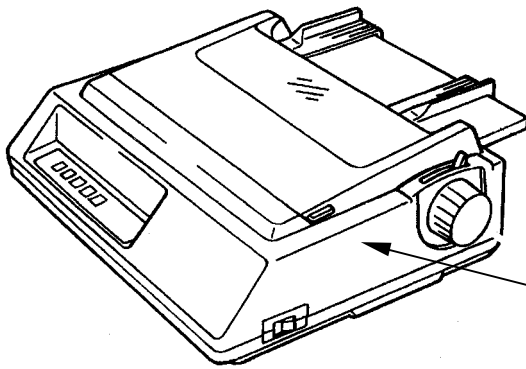
ITEM	DESCRIPTION	PART NUMBER	ITEM	DESCRIPTION	PART NUMBER
1	Speaker, Computer	0514-0305	17a	Board, Terminal Insulator	7031-0180
2	PCB, MODEM, 14.4	7001-2316-01	18	PCB, ALDL Reader	7001-0543-02
3	PCB, STL Interface	7001-2301-01	NS	SIMM, 1Mb, 30 Pin	7001-2243-01
4	PCB, PC Interface	7001-2178-01	NS	SIMM, 4Mb, 30 Pin	EAP0008C00A
5	PCB, Video, SVGA	7001-2160-01	NS	WH, Printer Interface	6004-0707-01
6	PCB, System Interface	7001-2081-02	NS	WH, W40, IR Sun Comm.	6004-0778-01
7	PCB, SCSI	0552-0947-01	NS	WH, AC Computer	7076-0851-01
8	PCB, CPU. ^W /4 Mb Ram	7001-2244-01	NS	WH, Fan Power	7076-0753-02
8a	PCB, CPU ^W / _o Ram	7001-2161-02	NS	WH, W1, Floppy Drive	7076-0847-01
9	PCB, Arbitrator	7001-2021-03	NS	WH, W2, Hard Drive	7076-0848-01
10	PCB, Sunbus Backplane	7001-2053-01	NS	WH, W3, CPU Power	7076-0849-01
11	Switch, On/Off	0764-0231	NS	WH, W4, Power Supply	7076-0850-01
11a	Valve Assembly, Vacuum	7009-1430	NS	WH, W5, IR Controller	7076-0886-01
11b	Knob, Cap	0758-0195-01	NS	WH, W8, Sunbus Power	7076-0978-01
11c	Knob, Push On	0758-0206-01	NS	WH, W9, CDROM PWR	7076-0986-01
12	Switch, Reset	0764-0241-01	NS	WH, W17, AC Power	7076-0852-01
13	Drive, Disk 3.5"1.44 Mb	0552-0064-01	NS	WH, W31, Floppy Drive	6004-0739-01
13a	Slide, 3.5"Drive Mount	0109-0021-01	NS	WH, W32, Hard Drive	6004-0741-01
13b	WA, Bracket, Disk Drive	7020-2056-01	NS	WH, W33, Parallel Port	6004-0766-01
13c	Drive, CD ROM ^W /Caddy	0552-0946-06	NS	WH, W34, Serial Port	6004-0765-01
13d	Caddy, CD-ROM Disk	0552-0948-01	NS	WH, W42 Sunbus	6004-0605-02
14	Drive, Hard Disk (631 Mb)	EAE0004C00A	NS	WH, W43 CDROM Data	6004-0796-01
14a	WA, Bracket Hard Drive	7012-1444-01	NS	WH, W46 Reset	7076-0903-01
15	Fan, Axial 115V	0587-0504	NS	WH, W48, Arbit/KyBrd	7076-0890-01
15a	Fan, Axial 220V	0587-0507-01	NS	WH, W49, Arbitrator	7076-0888-01
16	Filter, Air 9 ³ / ₄ 4 ¹ / ₂	0301-0138-05	NS	Battery, Alkaline	0768-0021-01
17	Board, Terminal	7008-0318			

COMPUTER MODULE ASSEMBLY (SERIAL B)

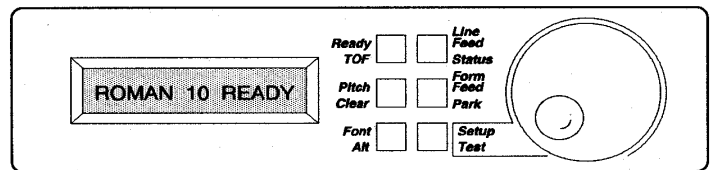
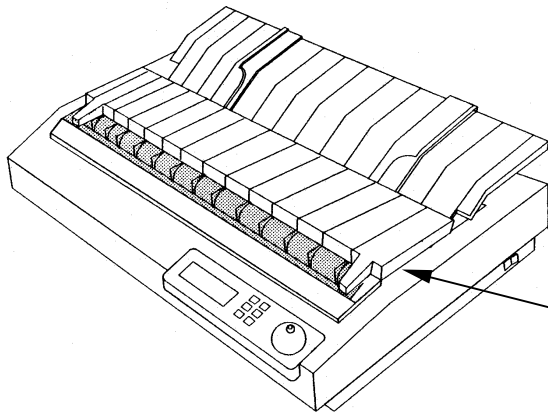


ITEM	DESCRIPTION	PART NUMBER	ITEM	DESCRIPTION	PART NUMBER
1	Speaker, Computer	0514-0305	17a	PCB, Terminal Insulator	7031-0180
2	MODEM, 14.4 Baud	7001-2316-01	18	PCB, ALDL Reader	7001-0543-02
3	PCB, STL Interface	7001-2301-01	NS	SIMM, 4Mb, 72 Pin	EAP0051C00A
4	PCB, PC Interface	7001-2178-01	NS	SIMM, 8Mb, 72 Pin	EAP0056C00A
5	PCB, Video, SVGA	EAP0012C00A	NS	WH, Printer Interface	6004-0569-01
6	PCB, I/O Drive Cont.	EAP0030C00A	NS	WH, W40, IR Sun Comm.	6004-0778-01
7	PCB, SCSI	0552-0947-01	NS	WH, AC Computer	7076-0851-01
8	PCB, CPU ^W / 8 Mb Ram	7001-2312-02	NS	WH, Fan Power	7076-0753-02
9	PCB, Arbitrator	7001-2021-03	NS	WH, W1, Floppy Drive	7076-0847-01
10	PCB, STL Interconnect	7001-2298-01	NS	WH, W2, Hard Drive	7076-0848-01
11	Switch, On/Off	0764-0231	NS	WH, W3, CPU Power	7076-0849-01
11a	Valve Assembly, Vacuum	7009-1430	NS	WH, W4, Power Supply	7076-0850-01
11b	Knob, Cap	0758-0195-01	NS	WH, W5, IR Controller	7076-0886-01
11c	Knob, Push On	0758-0206-01	NS	WH, W8, Sunbus Power	7076-0978-01
12	Switch, Reset	0764-0241-01	NS	WH, W9, CDROM Power	7076-0986-01
13	Drive, Disk 3.5"1.44 Mb	0552-0064-01	NS	WH, W17, AC Power	7076-0852-01
13a	Slide, 3.5"Drive Mount	0109-0021-01	NS	WH, W31, Floppy Drive	6004-0739-01
13b	WA, Bracket, Disk Drive	7020-2056-01	NS	WH, W32, Hard Drive	6004-0741-01
13c	Drive, CD-ROM ^W /Caddy	0552-0946-06	NS	WH, W33, Parallel Port	6004-0766-01
13d	Caddy, CD ROM Disk	0552-0948-01	NS	WH, W34, Serial Port	6004-0765-01
14	Drive, Hard Disk (631 Mb)	EAE0004C00A	NS	WH, W42, Sunbus	6004-0605-02
14a	WA, Bracket Hard Drive	7012-1444-01	NS	WH, W43, CDROM Data	6004-0796-01
15	Fan, Axial 115V	0587-0504	NS	WH, W46, Reset	7076-0903-01
15a	Fan, Axial 220V	0587-0507-01	NS	WH, W48, Arbit/KyBrd.	7076-0890-01
16	Filter, Air 9 ³ / ₄ 4 ¹ / ₂	0301-0138-05	NS	WH, W49, Arbitrator	7076-0888-01
17	PCB, Terminal	7008-0318	NS	Battery, Alkaline	0768-0021-01

PRINTERS



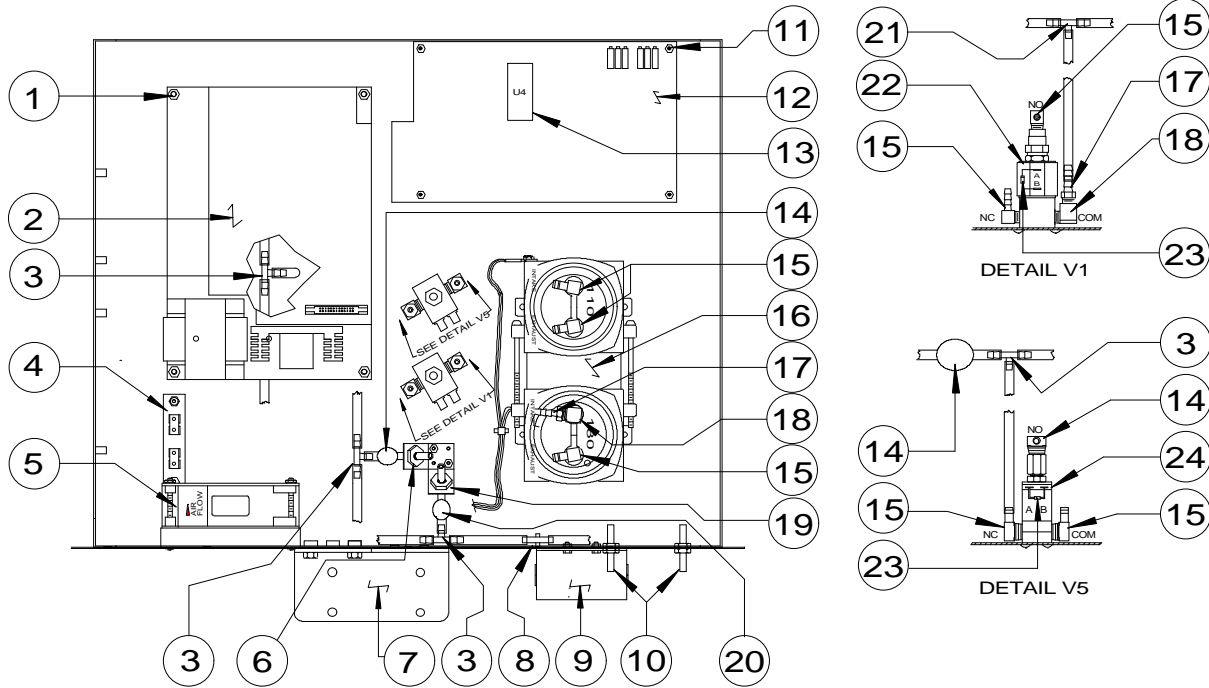
OKIDATA ML380



AMT242

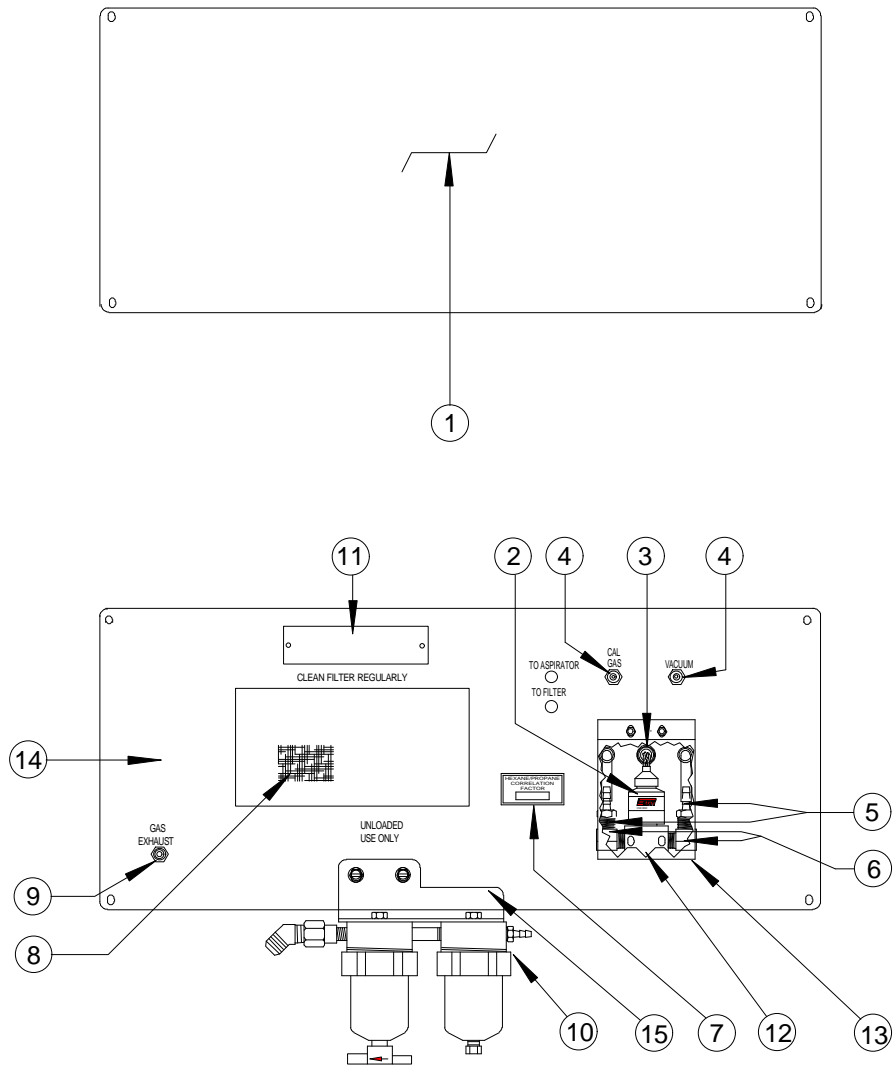
ITEM	DESCRIPTION	PART NUMBER	ITEM	DESCRIPTION	PART NUMBER
1	Printer, Okidata ML380	0528-0023-01	NS	WH, Printer Interface	6004-0707-01
1a	Ribbon, Okidata 24 Pin	0528-1061-01	NS	WH, AC Cord 115 Volt	6001-0198-02
2	Printer, AMT242 110V	0528-0029-01	NS	WH, AC Cord 220 Volt	6001-0198-01
2a	Printer, AMT242 220V	0528-0029-02	NS	Paper, Printer Tractor Fd	0528-0994-01
2b	Ribbon, AMT 24 Pin	0528-1065-01			

INFRARED DRAWER



ITEM	DESCRIPTION	PART NUMBER	ITEM	DESCRIPTION	PART NUMBER
1	Mount, Rubber ^w /Insert	0561-0144-01	14	Restrictor, Flow	3841-0101
2	Bench, IR 110V	7049-0126-01	15	Adapter, Elbow	0647-0239-01
2a	Bench, IR 220V	7049-0127-01	16	Pump, VAC 110V	0303-0104-01
3	Tee, Gas Drawer	0647-0102	16a	Pump, VAC 220V	0303-0107-01
4	PCB, Terminal	7008-0054	17	Adapter, Pipe to Hose	0647-0070
4a	PCB, Terminal Insulator	7031-0181	18	Fitting, Elbow	0647-0044
5	Fan, Axial, 115V	0587-0504	19	Switch, Low Flow	0549-0019-02
5a	Fan, Axial, 220V	0587-0507-01	19a	Bracket, Mounting	7012-0808
5b	WA, Housing, Fan Filter	7004-0354	20	Restrictor, Flow	3841-0101-05
5c	Label, Fan Caution	0682-0294	21	Fitting, Tee	0647-0186
6	Switch, Leak Check	0549-0017	22	Valve, Solenoid	0304-0035
6a	Bracket, Mounting	7012-0808	23	Diode Assy	7009-1486-03
7	Bracket, Filter Mounting	7012-1382-01	24	Valve, Solenoid 3-way	0304-0044-01
8	Restrictor, Flow	3841-0111-01	NS	Filter Assy 75 & 8 Micron	See Page. 20-11
9	Cover, O2 Sensor	7014-1183-01	NS	Hose, 1/4 ID	0669-0220
10	Nipple (2)	2209	NS	Hose, 3/16 ID	0669-0229
11	Spacer, 6-32 Hex	0429-0044-16	NS	WH, W22, Emissions Ex	7076-0753-03
11a	Nut, 6-32 Keps	0616-0006	NS	WH, W24 IR Pump	7076-0884-01
12	PCB, Emissions Controller	7001-2181-01	NS	WH, W25 Bench AC	7076-0887-01
12a	PCB, Emissions Controller	7001-2304-01	NS	WH, IR Analyzer	6004-0355-02
13	IC, Personality, Ser A	0773-2069-02	NS	WH, W23 IR AC	7076-0885-01
13a	IC, Personality, Ser B	0773-2069-08	NS	WH, W55 O2/Low Flow	7076-0889-01

INFRARED DRAWER CONTINUED...

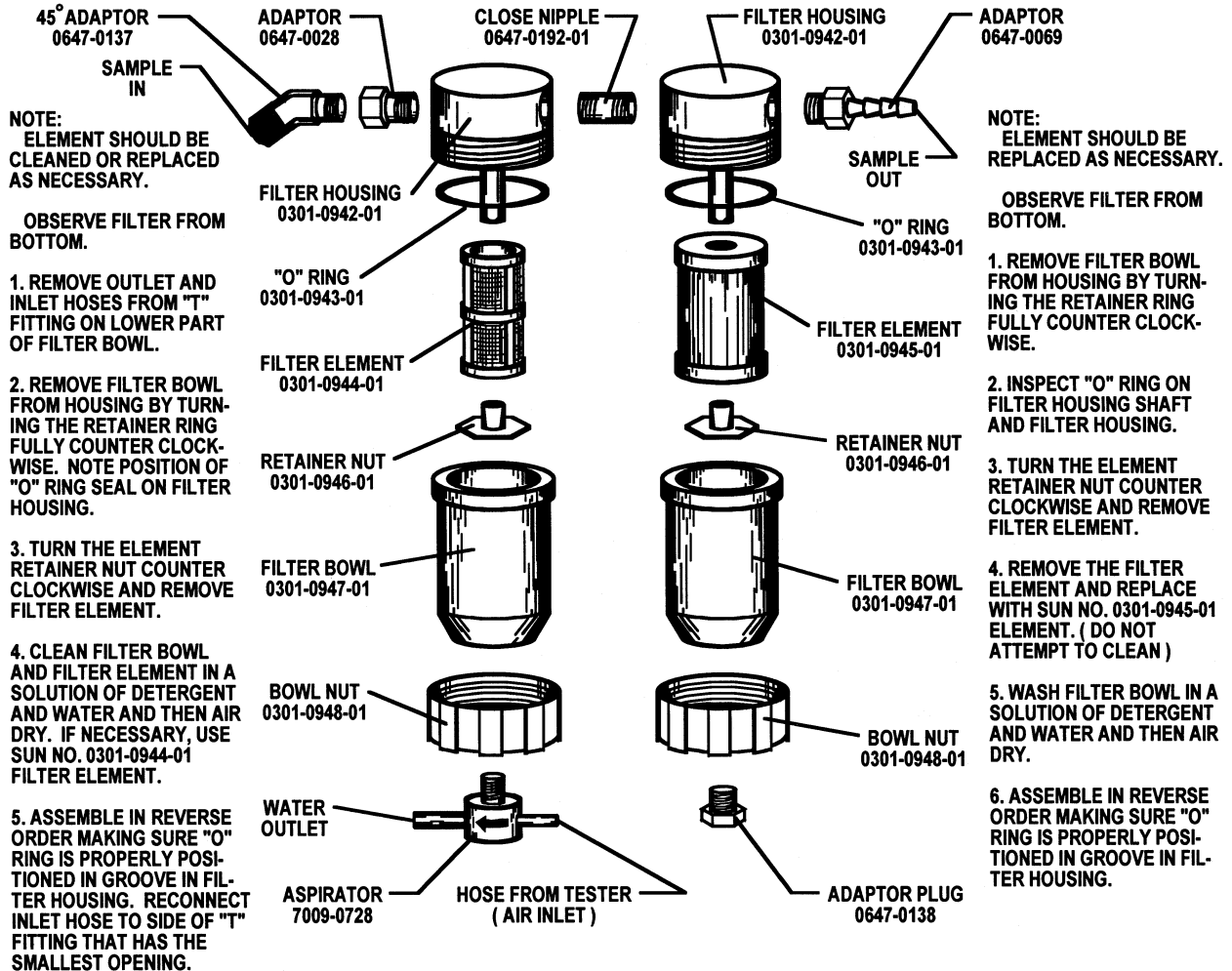


ITEM	DESCRIPTION	PART NUMBER	ITEM	DESCRIPTION	PART NUMBER
1	WA, Panel IR False	7005-2488-01	9	Fitting, Port Exhaust	7024-0325
2	Sensor, Oxygen	7049-0004-01	10	Filter Assy 75 & 8 Micron	See Page. 20-11
3	Grommet, Rubber	0501-0003	11	Plate, ID, IR	4600-1003-01
4	Nipple	2209	12	Block, O2 Sensor	7002-0261-01
5	Adapter, Pipe to Hose	0647-0073	13	Cover, O2 Block	7014-1183-01
6	Fitting, Elbow O2 Block	0647-0083	14	WA, IR	7020-2052-01
7	Label, Correlation	4600-0183	15	WA, Bracket, Filter	7012-1382-01
8	Filter, Air 7.62"X 4.6"	0301-0138-03			

FILTER MAINTENANCE

FILTER MAINTENANCE

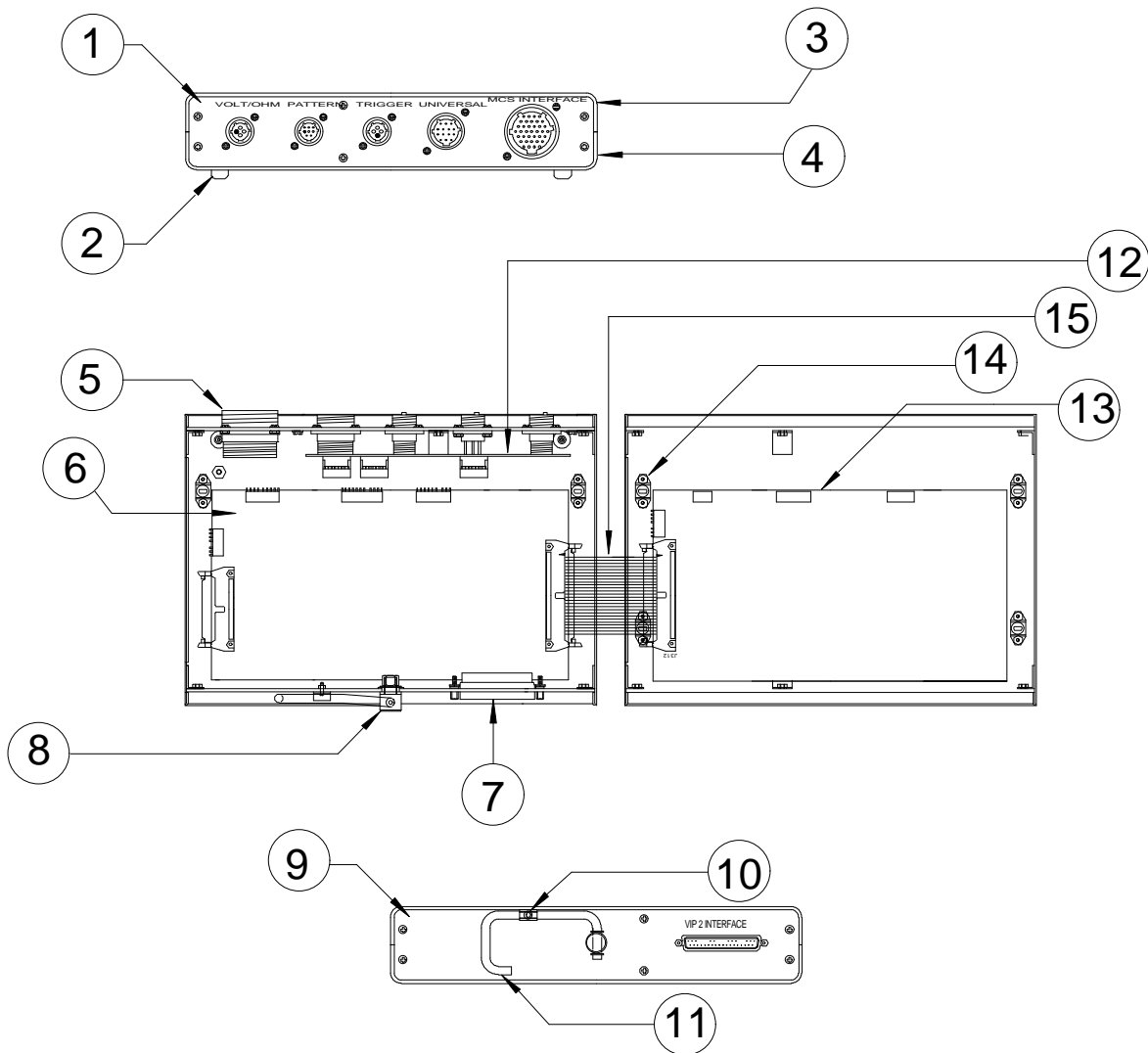
WHEN THE "LOW FLOW CHECK FILTER" WARNING LIGHT COMES ON DURING VEHICLE TESTING, THE SAMPLE FILTERS MUST BE SERVICED. WHEN SERVICING FILTERS BE SURE THAT ALL SEALS ARE PROPERLY POSITIONED, AND THE UNITS ARE RE-ASSEMBLED SNUGLY, TO ELIMINATE THE POSSIBILITY OF OUTSIDE AIR BEING DRAWN INTO THE ANALYZER DURING VEHICLE TESTS.



PRIMARY FILTER ASSEMBLY
75 MICRONS
0301-0136-01

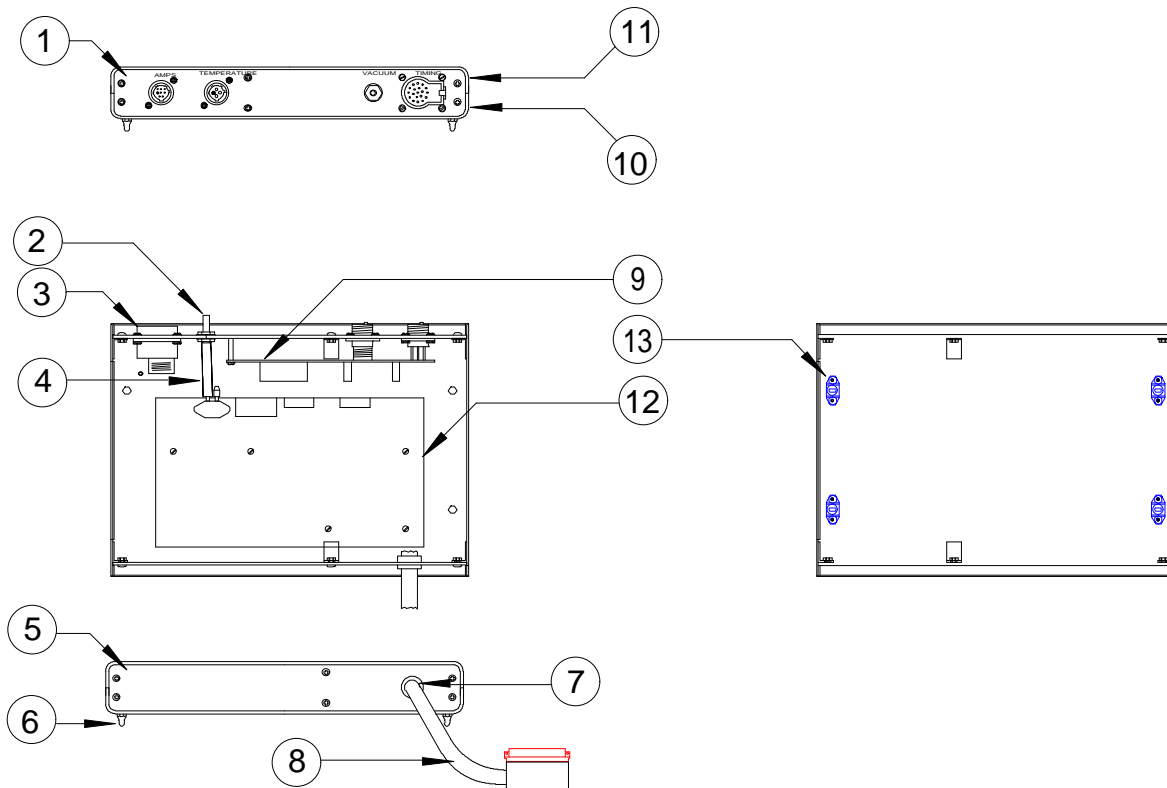
SECONDARY FILTER ASSEMBLY
8 MICRONS
0301-0135-01

POD 1 (OLD STYLE)



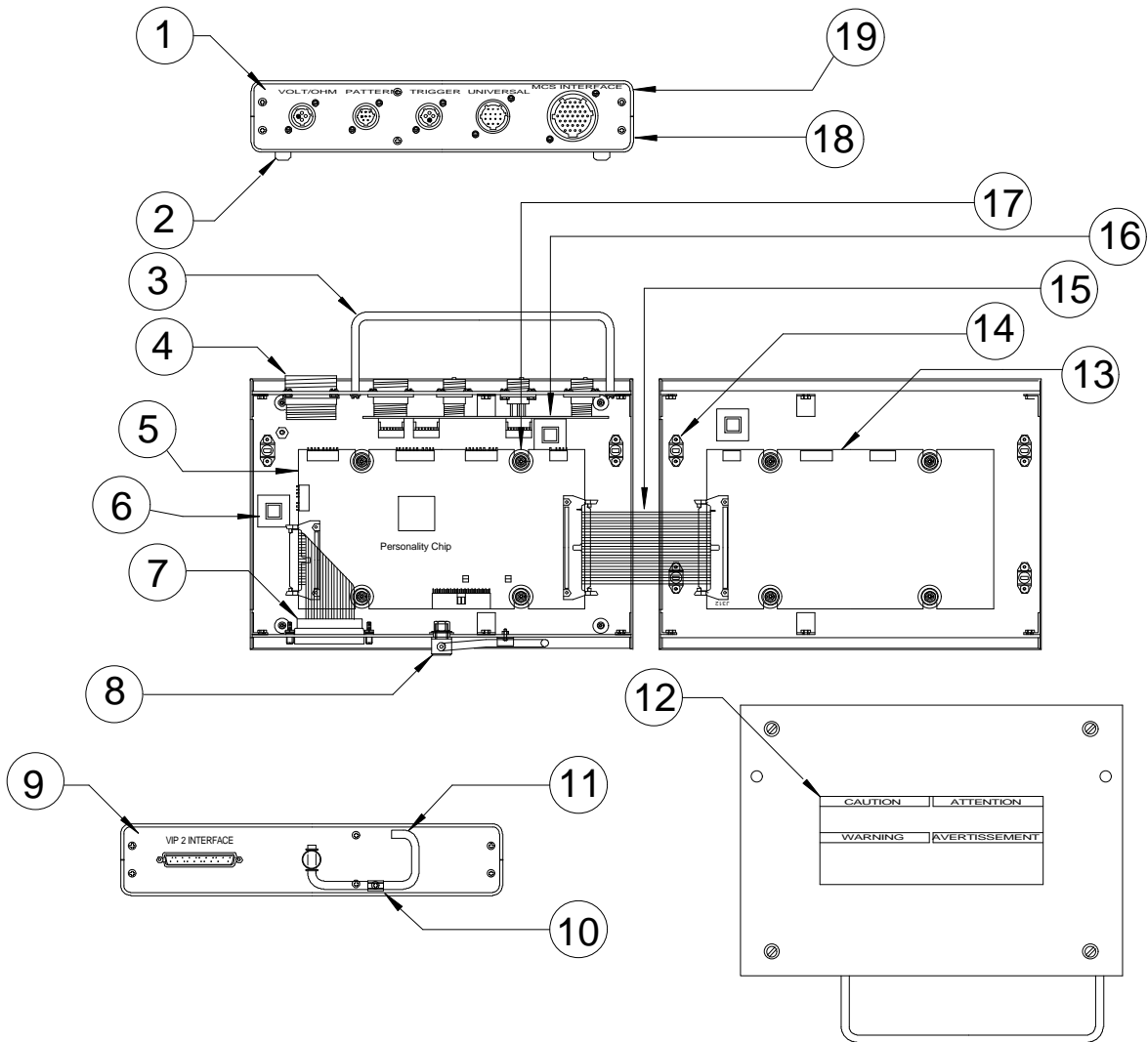
ITEM	DESCRIPTION	PART NUMBER	ITEM	DESCRIPTION	PART NUMBER
1	WA, Plate, Connector	7003-0698-02	10a	Clip, Hanger Vinyl Coat	0562-0023-02
2	Bumper	1489-0007	11	Hanger, Pod	7012-1484-01
3	WA, Cover, Upper	7020-2101-02	12	PCB, Input, Pod-1	7001-2214-01
4	WA, Cover, Lower	7020-2100-02	13	PCB, Analog, Pod-1	7001-2186-01
5	WH, W56 Umbilical Input	7076-0945-01	14	Catch	5696-0007
6	PCB, Digital, Pod-1	7001-2187-01	15	WH, W58, Ana/Dig	6004-0776-01
6a	IC, Personality	0773-2071-01	NS	WH, W57 DC Intercon	7076-0942-01
7	WH, Pod 1-2	7076-0981-01	NS	WH, W60 Ign/Pinpts	7076-0943-01
8	Swivel, Pod Handle	0813-0903-01	NS	WH, W59, Pri/Coil/Bat	7076-0944-01
9	WA, Plate, Hanger	7003-0697-02	NS	WH, POD Umbilical	6004-0768-01
10	Clip, Hanger	0562-0022-01			

POD-2 (OLD STYLE)



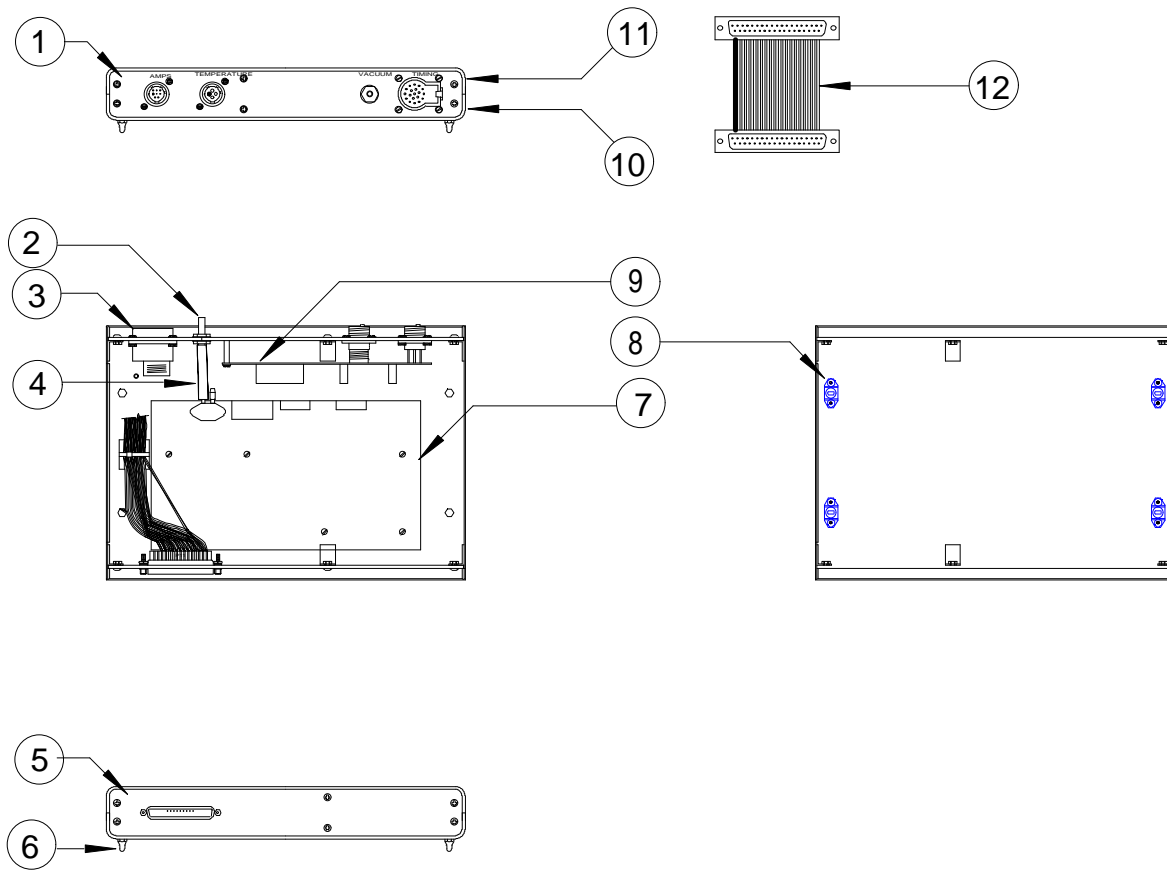
ITEM	DESCRIPTION	PART NUMBER	ITEM	DESCRIPTION	PART NUMBER
1	WA, Plate, Connector	7003-0709-02	8	WH, Pod-2 Interconn	6004-0794-01
2	Nipple	2209	9	PCB, Input, Pod-2	7001-2237-01
3	WH, Internal Timing	7076-0983-01	10	WA, Cover, Lower	7020-2103-02
4	Tubing, Vacuum to P2	0669-0007	11	WA, Cover, Upper	7020-2104-02
5	WA, Plate, Rear	7003-0701-02	12	PCB, Main, Pod-2	7001-2236-01
6	Fastener	5696-0008	13	Catch	5696-0007
7	Bushing, Heyco	2035-0003			

VIP 1



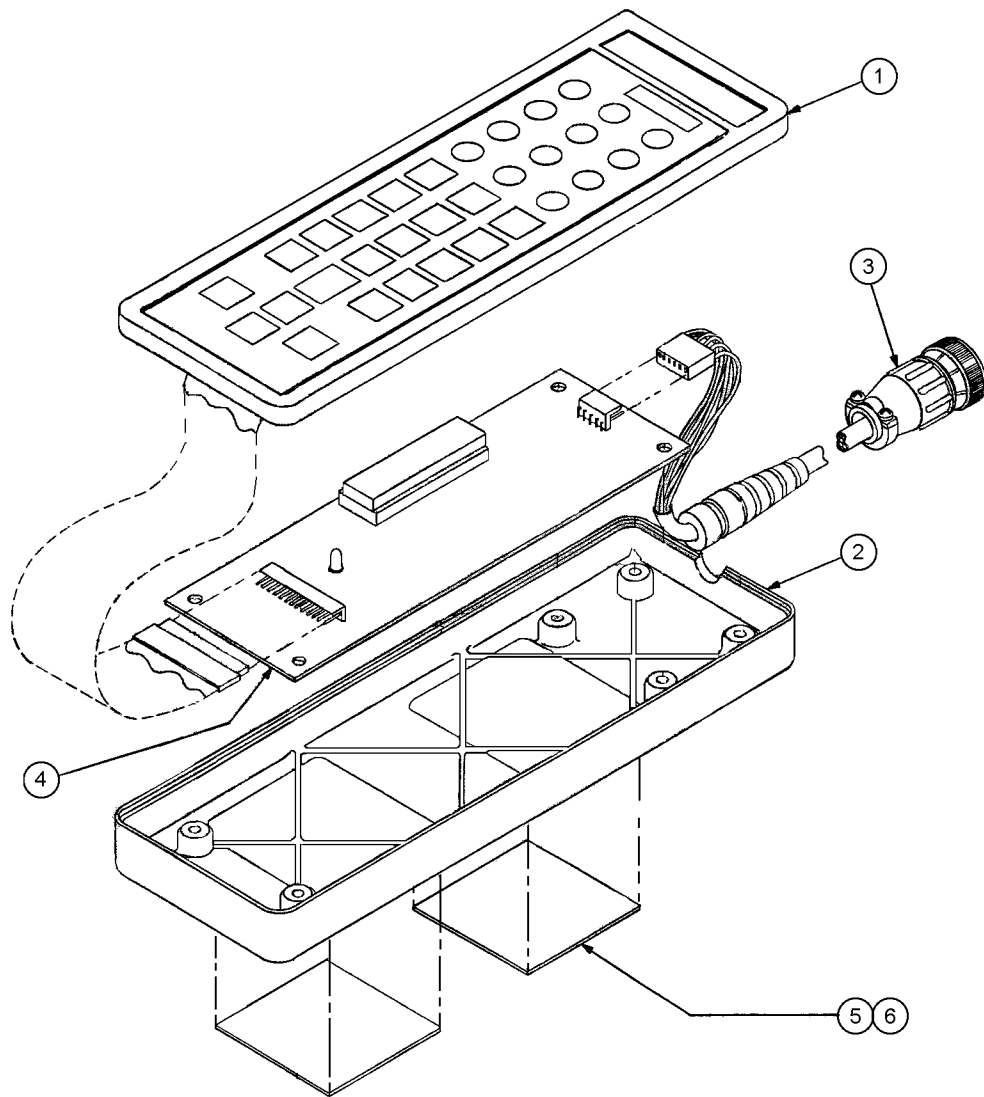
ITEM	DESCRIPTION	PART NUMBER	ITEM	DESCRIPTION	PART NUMBER
1	WA, Plate, Connector	7003-0707-02	11	Hanger, Pod	7012-1484-01
2	Bumper	1489-0007	12	Label, Caution, Warning	0682-1000-01
3	Handle, Pod	0813-0061-01	13	PCB, Analog VIP 1	7001-2239-01
4	WH, W56 Umbilical Intern	7076-0990-01	14	Catch	5696-0007
5	PCB, Digital, VIP 1	7001-2238-01	15	WH, W58, Ana/Dig	6004-0776-01
5a	IC, Personality	0773-2071-02	16	PCB, Input, VIP 1	7001-2214-01
6	Mount, Cable	5878-0902	17	Shckmnt, Rubber, Blue	0561-0147-01
7	WH, W44, Pod 1-2	6004-0811-01	18	WA, Cover, Upper	7020-2115-02
8	Swivel, Pod Handle	0813-0903-01	19	WA, Cover, Lower	7020-2114-02
9	WA, Plate, Hanger	7003-0708-02	NS	WH, W60, Ign/Pinpts	7076-0943-01
10	Clip, Hanger	0562-0022-01	NS	WH, W59, Pri/Coil/Bat	7076-0944-01
10a	Clip, Hanger Vinyl Coat	0562-0023-02	NS	WH, W62, Mag Intercon	7076-0989-01

VIP 2



ITEM	DESCRIPTION	PART NUMBER	ITEM	DESCRIPTION	PART NUMBER
1	WA, Plate, Connector	7003-0709-02	8	Catch	5696-0007
2	Nipple	2209	9	PCB, Input, VIP 2	7001-2237-01
3	WH, Internal Timing.	7076-0983-01	10	WA, Cover, Upper	7020-2117-02
	WH, Internal Timing	EAX0014C00A	11	WA, Cover, Lower	7020-2116-02
4	Hose, Vacuum to P2	0669-0007	12	WH, W45 VIP 2 Inter	6004-0813-01
5	WA, Plate, Rear	7003-0710-02	NS	WH, POD 2, Amps	7076-0982-01
6	Fastener	5696-0008	NS	WH, POD 2, Timing	7076-0985-01
7	PCB, Main, VIP 2	7001-2236-01	NS	WH, W63 POD Infrface	7076-0991-01

REMOTE CONTROL ASSEMBLY

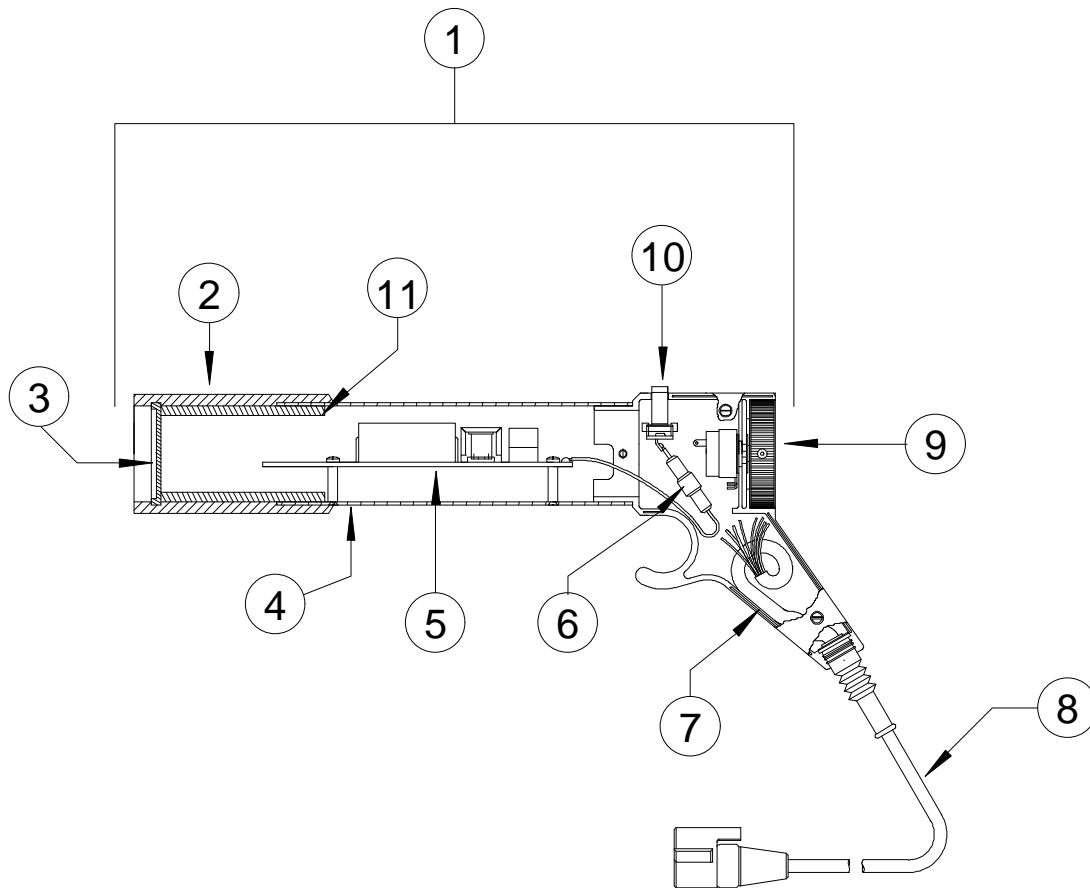


(7009-1921-02, Identified by Blue Arrow Keys)

(7009-1921-03, Identified by Yellow Arrow Keys)

ITEM	DESCRIPTION	PART NUMBER	ITEM	DESCRIPTION	PART NUMBER
1	Case, Remote, Upper	7054-0102	4	PCB, Remote (-02)	7001-0546
1a	Keypad, Remote (-02)	0552-0031	4a	PCB, Remote (-03)	EAP0081C00A
1b	Keypad, Remote (-03)	0552-0086-01	4b	IC, Prom, Prog (-03)	0773-0581-09
1c	Insert, Keypad (-03)	0552-0090-01	5	Magnetic, Flex Adhesive	0865-0112
2	Case, Remote, Lower	7054-0103	6	Adhesive, Remote	0626-0070
3	WH, Remote Control	6004-0517			

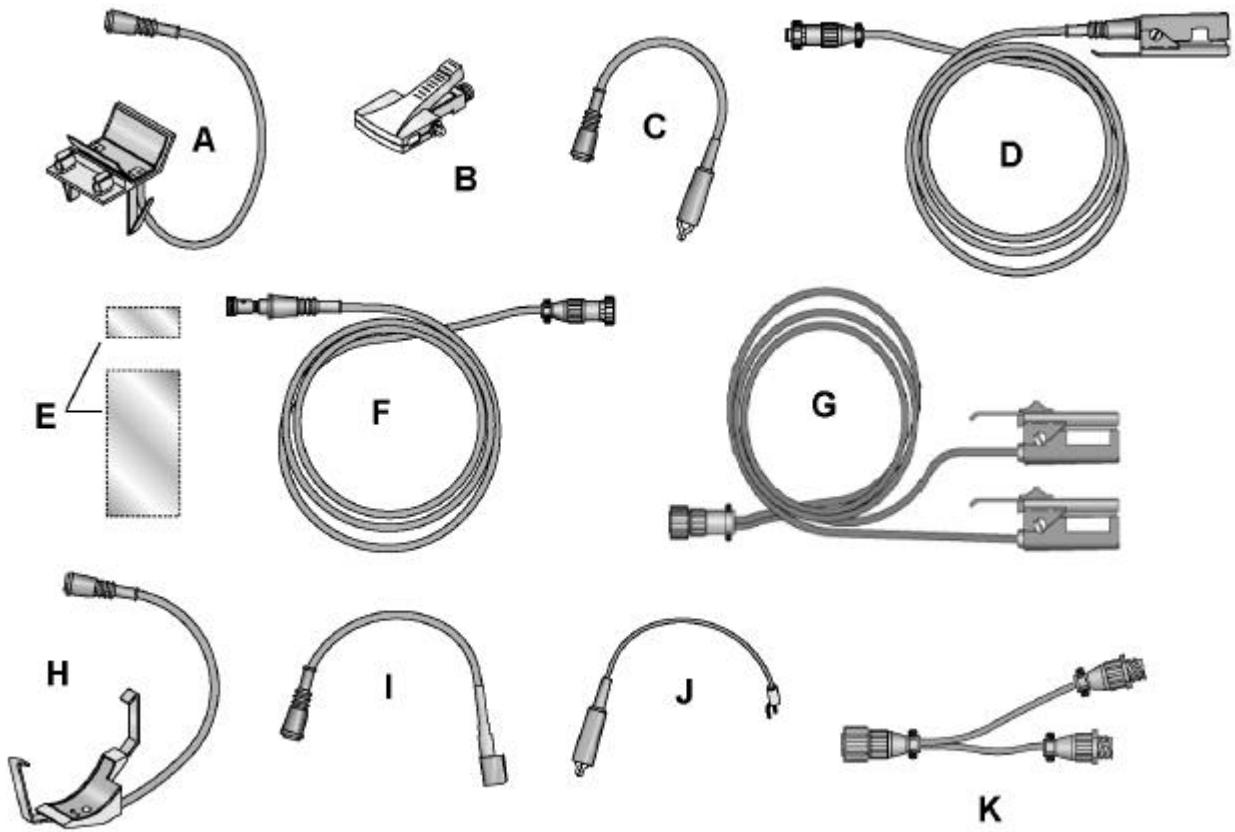
TIMING LIGHT



ITEM	DESCRIPTION	PART NUMBER
1	Timing Light Assy, 5ft	7009-1374-07
1a	Timing Light Assy, 10ft	7009-1374-06
2	Timing Light, Lens Holder	7054-0021-01
3	Timing Light, Lens	0391-0007
4	Timing Light, Housing	7059-0406
5	PCB, Timing Light	7001-2313-01
5a	Timing Light, Flash Tube	3905
5b	Timing Light, Transformer, Trigger	0007-8001
5c	Timing Light, Fuse (F1), 2 Amp	0739-0106-09
6	Timing Light, Fuse Holder	1417-0025
6a	Timing Light, Fuse, 1 Amp Slo-Blo	0739-0040
7	Timing Light, Handle	7059-0511-01
8	WH Timing, 5ft	6004-0758-02
8a	WH Timing, 10ft	6004-0758-01
9	Timing Light, Pot, Advance Trim	0685-0360
9a	Timing Light, Knob Assembly	7009-1063
9b	Timing Light, Overlay	4055-0187
10	Timing Light, Switch	0764-0207
11	Timing Light, Tube Reflector	7015-0059

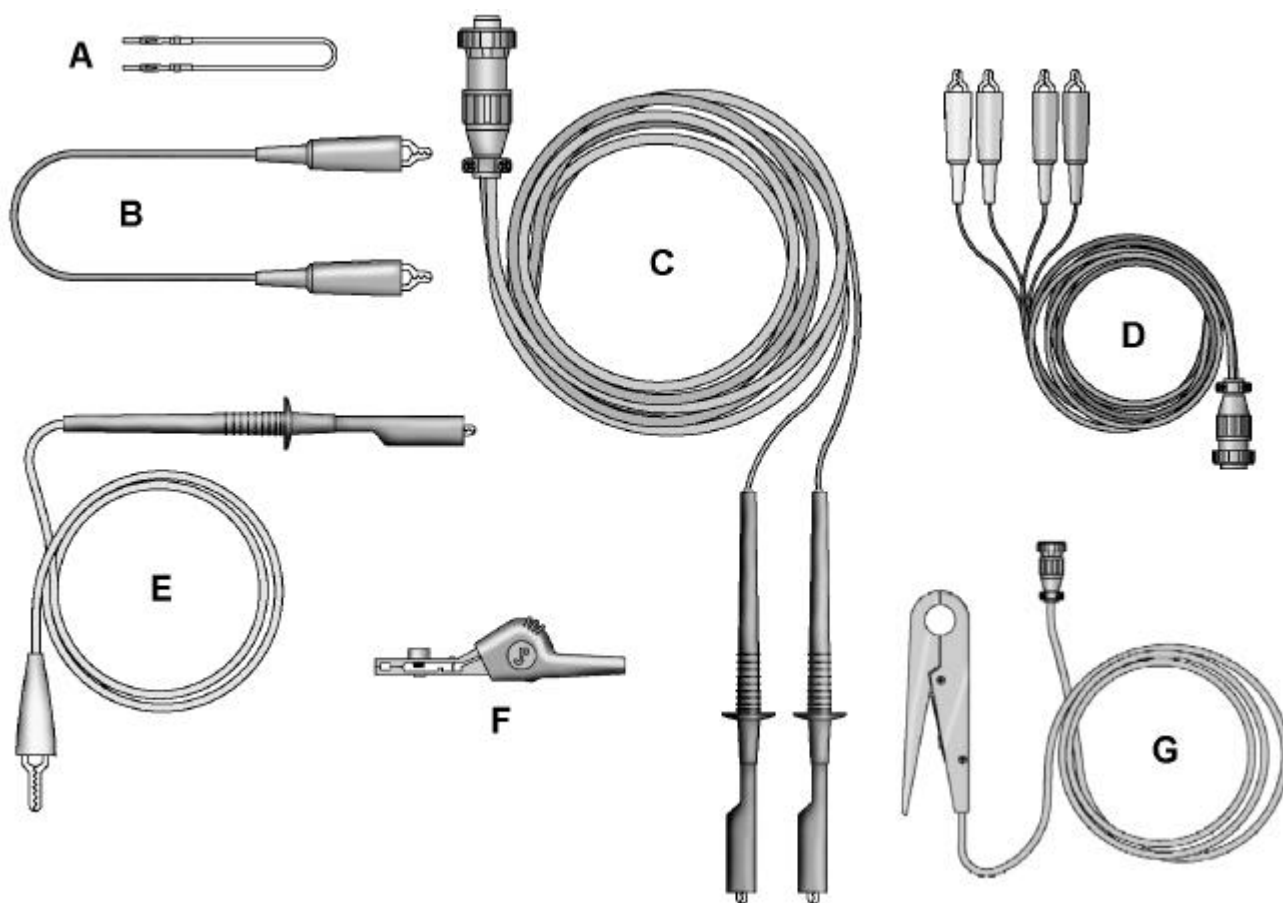
NOTE: SOME OLDER TIMING LIGHTS USE THE 7001-2044-01 CIRCUIT BOARD. IF THE TIMING LIGHT YOU ARE WORKING ON IS USING THIS BOARD, THE FLASH TUBE PART NUMBER IS 1677-0011 THE TRANSFORMER, TRIGGER LEAD PART NUMBER IS 0778-0405-01.

LEADS & ACCESSORIES, SECONDARY



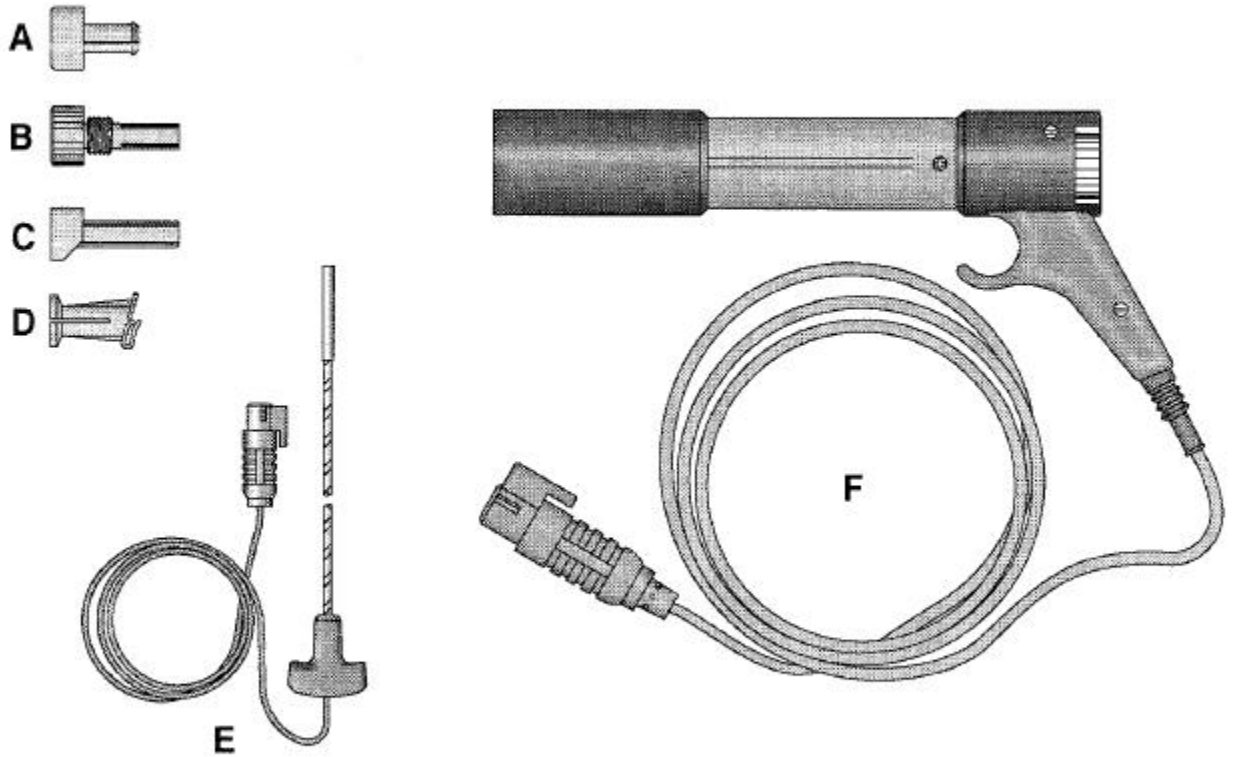
ITEM	DESCRIPTION	PART NUMBER
A	Test Lead, Pattern Pick-up, GM HEI	1747-0102
B	Test Lead, Pattern Pick-up, Chrome	1747-0101
C	Test Lead, Adapter, Secondary, Universal Integral Coil	6004-0819-01
D	Test Lead, Trigger, Red, 5ft.	7009-2325-01
	Test Lead, Trigger, Red, 10ft.	7009-2325-02
E	Test Lead, Conductive Sticker	0682-1049-01
F	Test Lead, Secondary, Blue, 5ft.	6004-0763-01
	Test Lead, Secondary, Blue, 10ft.	6004-0763-02
G	Test Lead, Pattern Pick-up, Distributorless Ignition, 5ft.	6004-0544-01
	Test Lead, Pattern Pick-up, Distributorless Ignition, 10ft.	6004-0544-02
H	Test Lead, Pattern Pick-up, Toyota ASM	1747-0103
I	Test Lead, Pattern Pick-up, Isuzu/Spectrum/Civic/Integra	1747-0105
J	Test Lead, Primary Assembly	6002-0355
K	Test Lead, Adapter, Distributorless Ignition "Y"	6004-0775-02

LEADS & ACCESSORIES, MISCELLANEOUS



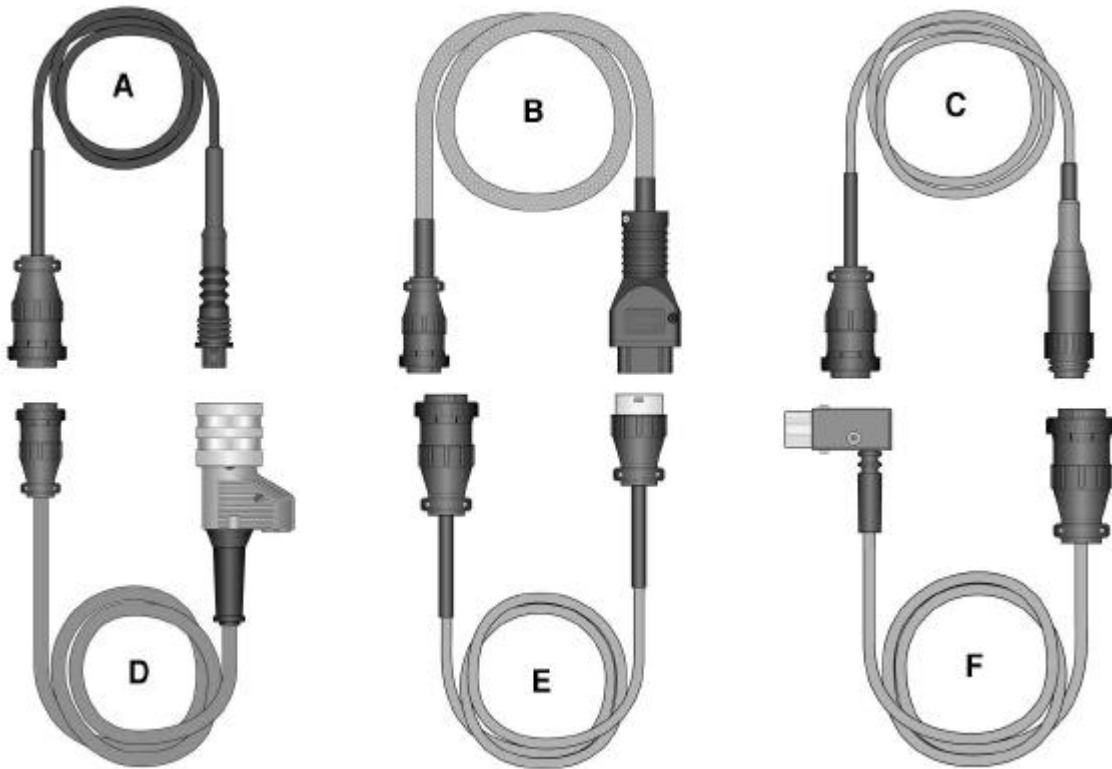
ITEM	DESCRIPTION	PART NUMBER
A	Test Lead, Jumper Wire	6002-0349
B	Test Lead, 15" Jumper Wire, Red	0002-0133-15
C	Test Lead, Volt/Ohm, 5 ft	6004-0462-01
	Test Lead, Volt/Ohm, 10 ft	6004-0462
D	Test Lead, Universal, 5ft	6005-0182-01
	Test Lead, Universal, 10ft	6005-0182-02
E	Test Lead, Jumper/Probe Assembly	6002-0346
F	Test Lead, Test Clip, Insulation Piercing	0672-0035-01
G	Test Lead, Amps, 5ft	6005-0171-01
	Test Lead, Amps, 10ft	6005-0171

LEADS & ACCESSORIES, TIMING LEADS AND ADAPTORS



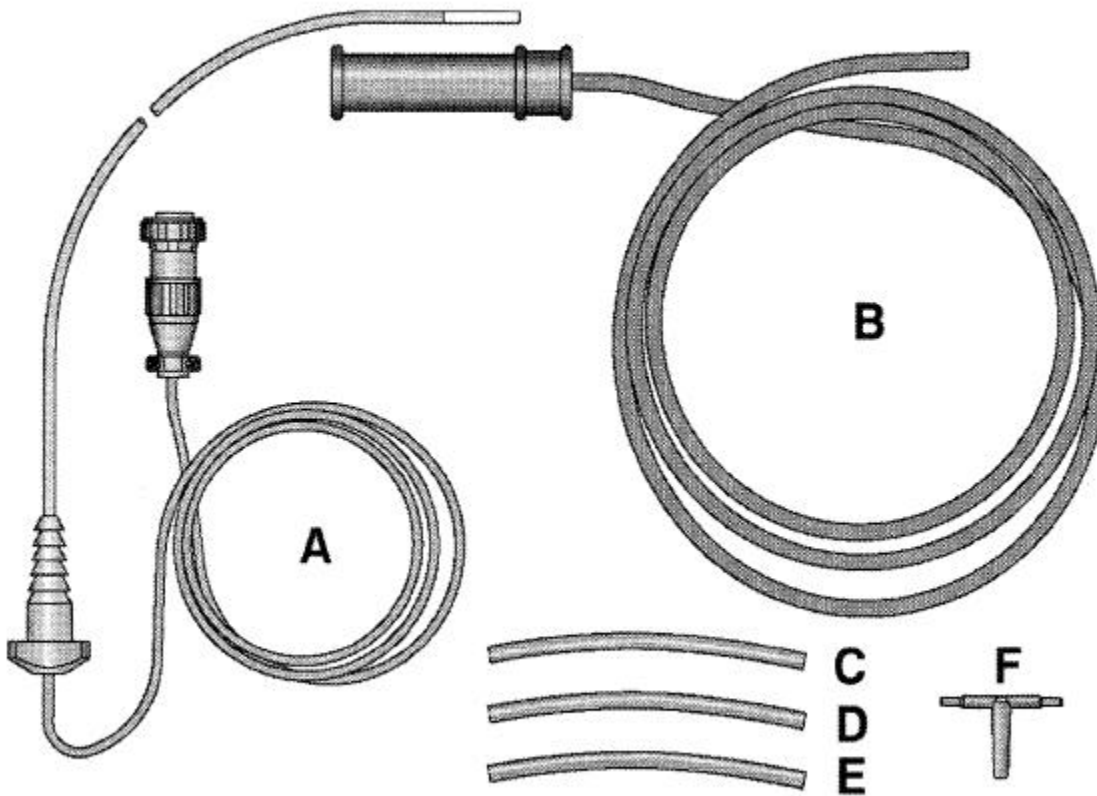
ITEM	DESCRIPTION	PART NUMBER
A	Test Lead, Adapter, Ford Magnetic Timing Probe, F1	7054-0056
B	Test Lead, Adapter, Ford Magnetic Timing Probe, F2	7054-0060
C	Test Lead, Adapter, Chrysler Magnetic Timing Probe, C2	7054-0062
D	Test Lead, Adapter, Chrysler Magnetic Timing Probe, C1	7054-0057
E	Test Lead, Magnetic Timing Probe, 10ft.	7009-2334-01
	Test Lead, Magnetic Timing Probe, 5ft.	7009-2334-02
F	Test Lead, Timing Light Assembly	See Page 20-17

LEADS & ACCESSORIES, EUROPEAN TIMING LEADS AND ADAPTORS



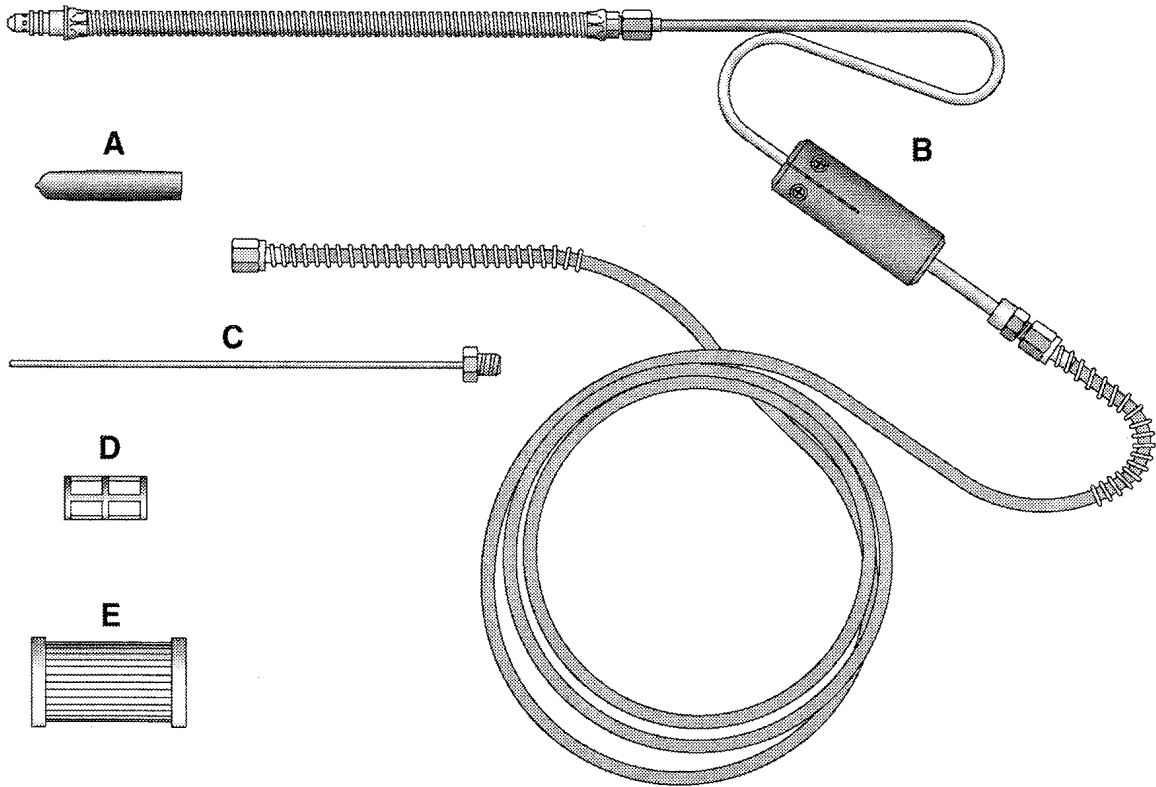
ITEM	DESCRIPTION	PART NUMBER
A	Test Lead, Adapter, Euro-Magnetic Timing, VW	6004-0375
B	Test Lead, Adapter, Euro-Magnetic Timing, Citroen/Renault/Peugeot	6004-0652
C	Test Lead, Adapter, Euro-Magnetic Timing, British Leyland	6004-0351
D	Test Lead, Adapter, Euro-Diagnostic, Mercedes-Benz	6004-0370
E	Test Lead, Adapter, Euro-Magnetic Timing, BMW	6004-0353
F	Test Lead, Adapter, Euro-Magnetic Timing, Volvo	6004-0350
NS	Test Lead, Adapter, Euro-Magnetic Timing, VW/Audi Liquid Cooled Engine	6004-E9310-33
NS	Test Lead, Adapter, Euro-Magnetic Timing, Extension Cable	6004-0396

LEADS & ACCESSORIES, MISCELLANEOUS ACCESSORIES



ITEM	DESCRIPTION	PART NUMBER
A	Test Lead, Oil Temperature, 10ft	6004-0407
	Test Lead, Oil Temperature, 5ft	6004-0407-02
B	Test Lead, Hose, Vacuum, 10ft.	6006-0003
	Test Lead, Hose, Vacuum, 5ft.	6006-0003-01
C	Test Lead, Hose, Vacuum, 1/8 x 5/16 x 6	0669-0623
D	Test Lead, Hose, Vacuum, 3/16 x 5/16 x 6	0669-0733
E	Test Lead, Hose, Vacuum, 1/4 7/16 x 6	0669-0734
F	Test Lead, Tee, Vacuum	0647-0170

LEADS & ACCESSORIES, EXHAUST COMPONENTS

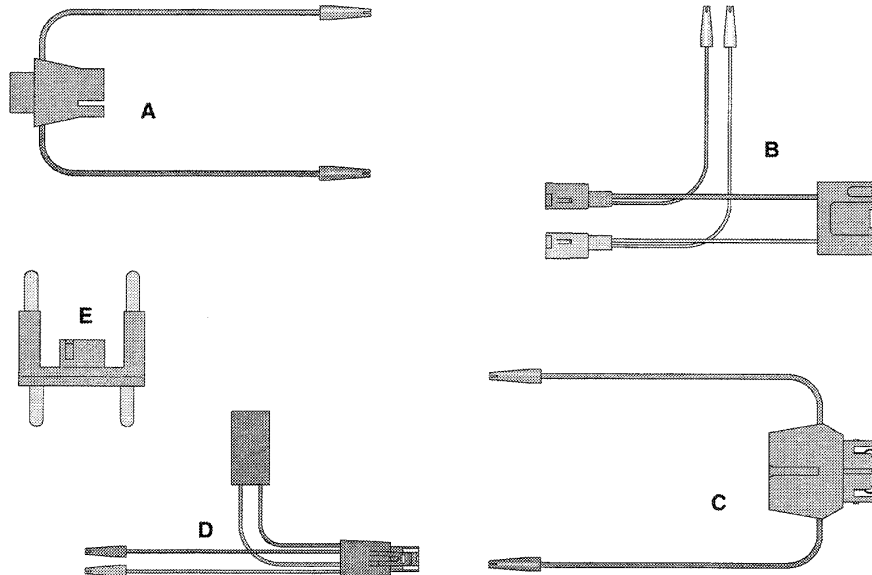


ITEM	DESCRIPTION	PART NUMBER
A	Test Lead, Test Cap, Exhaust Probe	0787-0035
B	Test Lead, Exhaust Probe	7009-1869-01
	Test Lead, Hose, Exhaust Probe	3988-0255-01
C	Test Lead, Adapter, Sample Probe, Needle	0507-0025-01
D	Filter Element, 8 Micron	0301-0945-01
E	Filter Element, 75 Micron	0301-0944-01

NOTE: IF THE CUSTOMER WOULD LIKE DUEL EXHAUST CAPABILITY, ORDER THE FOLLOWING:

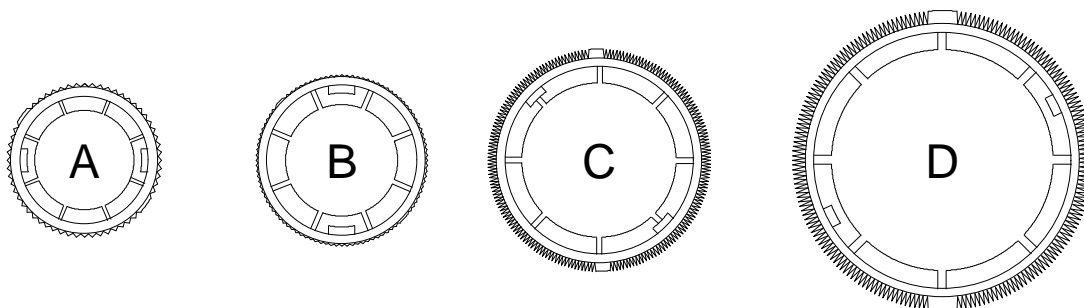
<i>Test Lead, Hose, Single Exhaust</i>	<i>3988-0230-01</i>
<i>Test Lead, Hose, Duel Exhaust</i>	<i>3988-0231-01</i>
<i>Test Lead, Exhaust Probe</i>	<i>7009-1869-01</i>

LEADS & ACCESSORIES, PRIMARY ADAPTORS



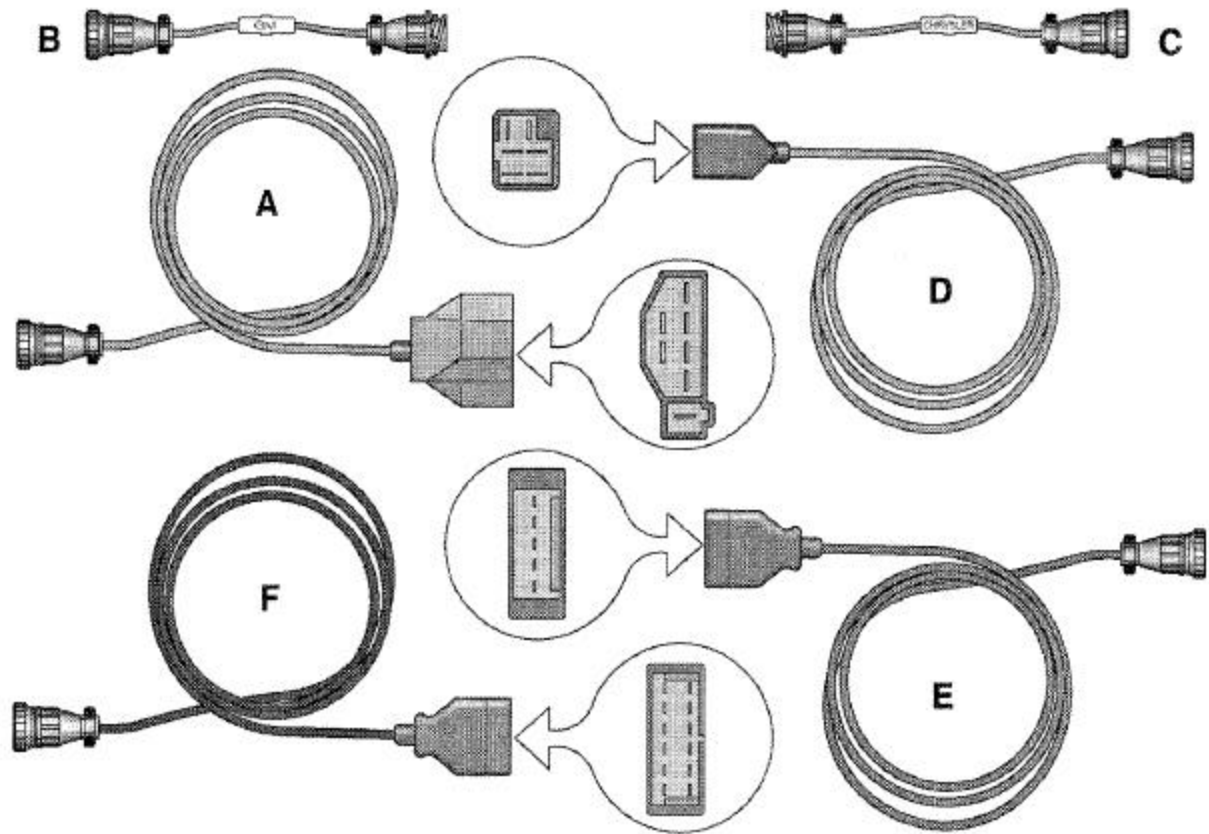
ITEM	DESCRIPTION	PART NUMBER
A	Test Lead, Adapter, GM Micro Pack (THX388)	0552-0045
B	Test Lead, Adapter, GM External Coil (THX376)	0552-0044
C	Test Lead, Adapter, Ford TFI Coil (THX386)	0552-0074-01
D	Test Lead, Adapter, Chrysler Primary Ignition (THX433)	0552-0120-01
E	Test Lead, Adapter, Multipurpose Coil (THX367)	0552-0043

CABLE LOCK RINGS AND SEALS



ITEM	DESCRIPTION	PART NUMBER
A	Test Lead, Retaining Ring Size 11 (4 & 8 pin Low Density or 9 pin High Density) Seal Size 11	2-13148 4162-0937
B	Test Lead, Retaining Ring Size 13 (8 & 9 pin) Seal Size 13	2-13248 4162-0960
C	Test Lead, Retaining Ring Size 17 (14 or 26 pin Low Density and 28 pin High Density) Seal Size 17	2-13348 4162-0938
D	Test Lead, Retaining Ring Size 23 (24 or 37 pin Low Density and 57 or 63 pin High Density) Seal Size 23	2-13448 4162-0947

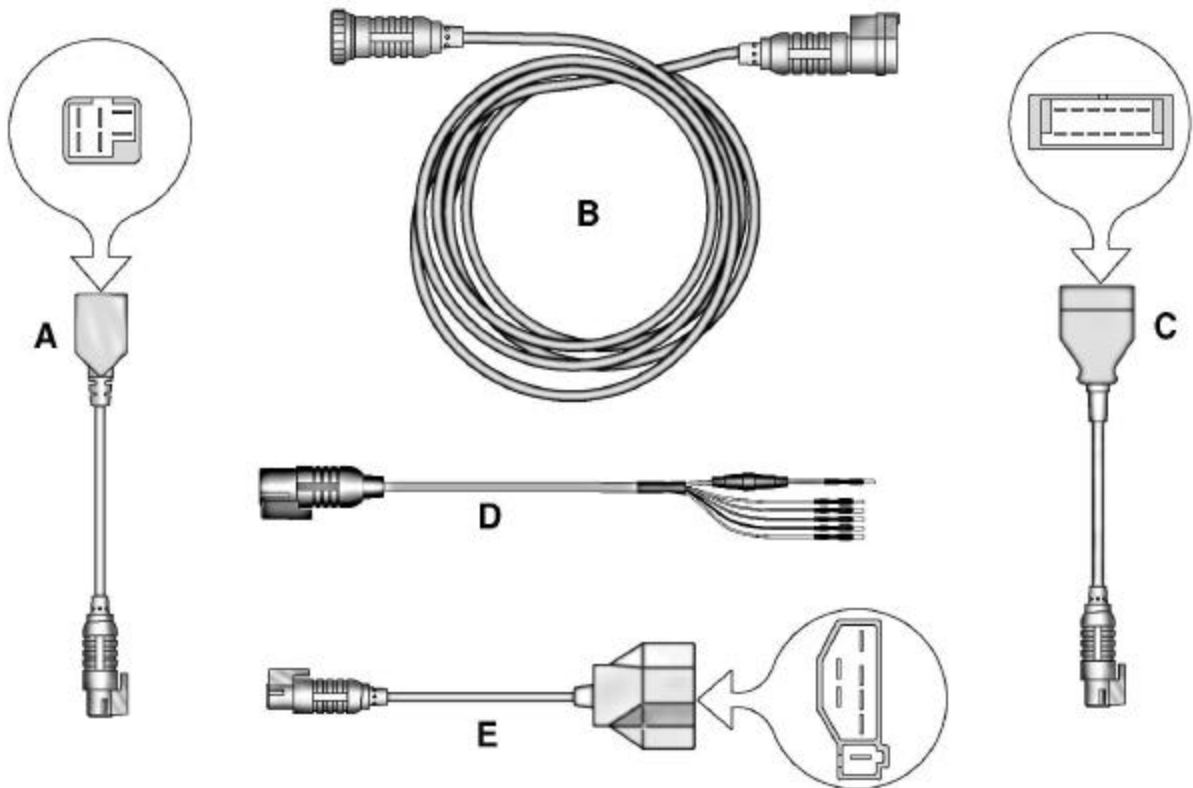
LEADS & ACCESSORIES, OLD STYLE SUN TEST LINK LEADS AND ADAPTORS



ITEM	DESCRIPTION	PART NUMBER
A	Test Lead, Adapter, STL, Ford EEC-IV/MCU	6004-0443
B	Test Lead, Adapter, STL, GM Fast Stream	6004-0524
C	Test Lead, Adapter, STL, Chrysler Fast Stream	6004-0525
D	Test Lead, Adapter, STL, Chrysler Non L/H Models	6004-0442
E	Test Lead, Adapter, STL, GM 5 Pin	6004-0417
F	Test Lead, Adapter, STL, GM 12 Pin	6004-0522
NS	Test Lead, Adapter, STL, GM 12 Pin	6004-0731-01
NS	Test Lead, Adapter, STL, Fast Stream 12 pin to 12 Pin Vin 8"	6004-0782-01
NS	Test Lead, Adapter, STL, Chrysler Non L/H Models	6004-0698-01

NOTE: Shown on this page is the old style STL cables, for the new style of STL cables and adaptors refer to NPR #44-2.

LEADS & ACCESSORIES, NEW STYLE SUN TEST LINK LEADS AND ADAPTORS



ITEM	DESCRIPTION	PART NUMBER
A	Test Lead, Adapter, STL, Chrysler Non L/H Models	6004-0716-01
B	Test Lead, Adapter, STL, Universal Extension	6004-0723-01
C	Test Lead, Adapter, STL, GM 12 Pin	6004-0717-01
D	Test Lead, Adapter, STL, Universal	6004-0795-01
E	Test Lead, Adapter, STL, Ford EEC-IV/MCU	6004-0718-01
NS	Test Lead, Adapter, STL, GM 5 Pin	6004-0719-01
NS	Test Lead, Adapter, STL, 90 & Up Escort GT, Mazda 323, Miata, MPV	6004-0720-01
NS	Test Lead, Adapter, STL, Ford Probe, ABS	6004-0721-01
NS	Test Lead, Adapter, STL, GEO Metro	6004-0722-01
NS	Test Lead, Adapter, STL, GM ABS 12 pin to 12 Pin H"	6004-0783-01
NS	Test Lead, Adapter, STL, Chrysler 12 Pin	6004-0832-01

NOTE: *The Universal Adapter 6004-0795-01 will give you limited OBD2 support on some GM vehicles. Refer to Quick Ref Guide 0692-2423-01 for proper adapter hookup.*

PARTS IN ALPHABETIC ORDER

DESCRIPTION	PART NUMBER	COMMENTS
Battery, Alkaline	0768-0021-01	
Bench, IR 110V	7049-0126-01	
Bench, IR 220V	7049-0127-01	
Bushing, Heyco	2035-0003	Pod 2 Interface Cable
Bushing, Heyco	2035-0008	AC Power Cable
Bushing, Heyco	2035-0009	Modem Cable
Caster, ^w / Brake	3645-0053-02	
Caster, ^w / _o Brake	3645-0053-01	
Circuit Breaker 115V	1922-0105-25	
Circuit Breaker 220V	1922-0105-19	
Cover, Connector	7014-0171	ALDL Expansion Hole
Cover, Connector	7014-1108-01	DB25 Expansion Hole
Cover, Connector	7014-1120-01	Remote Expansion Hole
Cover, Connector, Button Plug	1734-0031	Modem Expansion Hole
Diode Assy	7009-1486-03	
Disk Caddy, CD-ROM	0552-0948-01	
Disk, Microsoft Windows 3.11	0552-0125-01	
Disk, MS-DOS 5.0	0552-0082-01	
Disk, MS-DOS 6.22	0552-0104-01	
Drive, CD-ROM ^w /Caddy	0552-0946-06	Discontinued
Drive, Disk 3.5"1.44 Mb	0552-0064-01	
Drive, Hard Disk (631 Mb)	EAE0004C00A	
Fan, Axial, 115V	0587-0504	
Fan, Axial, 220V	0587-0507-01	
Filter Bowl	0301-0947-01	
Filter Bowl, Assembly Primary	0301-0136-01	
Filter Bowl, Assembly Secondary	0301-0135-01	
Filter Bowl, Element	0301-0944-01	75 Micron
Filter Bowl, Element	0301-0945-01	8 Micron
Filter Bowl, Housing	0301-0942-01	
Filter Bowl, Nut	0301-0948-01	
Filter Bowl, Retainer Nut,	0301-0946-01	
Filter Bowl, Seal	0301-0943-01	O"Ring
Filter, Air, (20 PPI Type Q Foam)	0301-0126	.5"x 4.5"x 4.5"± .09
Filter, Air, (Open Cell 30 PPI Charcoal Z Foam)	0301-0138-02	.5 x 3.38"x 26.94"± .09
Filter, Air, (Open Cell 30 PPI Charcoal Z Foam)	0301-0138-03	.5 x 4.6"x 7.62"± .09
Filter, Air, (Open Cell 30 PPI Charcoal Z Foam)	0301-0138-05	.5 x 4.5"x 9.75"± .09
Fitting, Adapter, Elbow	0647-0239-01	
Fitting, Adapter, Filter Bowls	0647-0028	1/8"male to 1/4"Female
Fitting, Adapter, Pipe to Hose	0647-0069	
Fitting, Adapter, Pipe to Hose	0647-0073	
Fitting, Adapter, Pipe-Hose	0647-0070	1/8 NPT
Fitting, Adapter, Plug Fitting	0647-0138	N2HPL
Fitting, Aspirator	7009-0728	
Fitting, Elbow	0647-0083	1/4"NPT
Fitting, Elbow,	0647-0044	
Fitting, Elbow, 45° Adapter	0647-0137	159F-6-4
Fitting, Nipple	2209	
Fitting, Nipple, Close	0647-0192-01	1/8"x 1 1/2
Fitting, Port Exhaust	7024-0325	
Fitting, Tee	0647-0186	N4TUB-4
Fitting, Tee, Gas Drawer	0647-0102	
Grommet, Rubber	0501-0003	O2 Sensor WH Hole
Handle, Pod	0813-0061-01	

CHAPTER 20 PARTS

DESCRIPTION	PART NUMBER	COMMENTS
Handle, Push-In	0813-0052-02	
Handle, Unit Side	0813-0059-02	Production Item
Hanger, Cable	2161-0023	
Hanger, Pod	7012-1484-01	
Hardware, Bumper, Rubber	1489-0007	Pod 1, Case Assembly
Hardware, Catch	5696-0007	
Hardware, Clip, Hanger	0562-0022-01	
Hardware, Clip, Hanger Vinyl Coated	0562-0023-02	
Hardware, Fastener	5696-0008	
Hardware, Nut, Keps 6-32	0616-0006	
Hardware, Rod, Prop	7002-0260-01	
Hardware, Shock mount, Rubber, Blue	0561-0147-01	
Hardware, Spacer, Hex, 6-32	0429-0044-16	
Hardware, Stop Assembly	7500-1338-03	Safety Restrain Cable
IC, Personality Digital PCB	0773-2071-01	Serial A using 7001-2187-01
IC, Personality Digital PCB	0773-2071-02	Serial B using 7001-2238-01
IC, Personality, Gas Bench	0773-2069-01	Serial A using 7001-2181-01
IC, Personality, Gas Bench	0773-2069-02	Serial B using 7001-2304-01
IC, PROM, Programmed	0773-0581-09	Remote ^w / Yellow Arrow Keys
Keyboard Protector	0552-0993-01	Discontinued
Keyboard Skin, 101 Key	0552-1086-01	
Keyboard, 101 Keys, Black	0552-0117-01	
Keyboard, AT/XT	0552-0990-01	Discontinued
Keyboard, Overlay	4055-0187	
Kit, Boom	1091-0258-01	
Kit, Monitor Swivel	EAK0108L01A	Acer Monitors Only
Knob, Cap	0758-0195-01	
Knob, Vacuum	0758-0206-01	
Label, Caution UL/CSA	0682-1001-01	
Label, Caution, Warning	0682-1000-01	
Label, Correlation	4600-0183	
Label, Fan Caution	0682-0294	
Label, Filter Maintenance	0682-0807-01	
Label, Keyboard	0682-1109-01	
Label, Power Warning	0682-1089-01	
Latch, Door	5666-0051-01	
Monitor, 14"(Acer, 7133S)	0859-0471-01	
Monitor, 14"Color	0859-0418-01	
Monitor, 14"Color 115V ser B	0859-0465-02	
Monitor, 15"(Acer, 7177S)	0859-0472-01	
Monitor, 17"(Acer, 7176S)	0859-0468-01	
Mount, Cable	5878-0902	
Mount, Rubber ^w /Insert	0561-0144-01	
Mouse, 3 Button, Black (Sejin)	0552-0116-01	
Mouse, Honeywell	0552-0089-01	Discontinued
Mouse, Pad	0552-0103-01	
PCB, ALDL Reader	7001-0543-02	
PCB, Analog, Pod-1	7001-2186-01	
PCB, Analog, VIP 1	7001-2239-01	
PCB, Arbitrator	7001-2021-03	
PCB, Assy, Remote	7001-0546	Remote ^w / Blue Arrow Keys
PCB, CPU ^w / 8 Mb Ram	7001-2312-02	486-SX25
PCB, CPU ^w / _o RAM	7001-2161-02	386-SX16
PCB, CPU, ^w / 4 Mb RAM	7001-2244-01	386-SX16
PCB, Digital, Pod-1	7001-2187-01	
PCB, Digital, VIP 1	7001-2238-01	
PCB, Emission Controller	7001-2181-01	
PCB, Emissions Controller	7001-2304-01	Serial A

DESCRIPTION	PART NUMBER	COMMENTS
PCB, I/O Drive Cont.	EAP0030C00A	
PCB, Input, Pod 1 & VIP 1	7001-2214-01	
PCB, Input, Pod 2 & VIP 2	7001-2237-01	
PCB, Main, Pod 2 & VIP 2	7001-2236-01	
PCB, Modem, 14.4 Baud	7001-2316-01	Optional
PCB, PC Interface	7001-2178-01	
PCB, Remote Control	EAP0081C00A	Remote ^W / Yellow Arrow Keys
PCB, SCSI	0552-0947-01	
PCB, SIMM, 1M X 9 RAM, 30 Pin	7001-2243-01	Parity Memory
PCB, SIMM, 4M X 9 RAM 30 Pin	EAP0008C00A	Parity Memory
PCB, SIMM, 4Mb 1M X 32 RAM 72 Pin	EAP0051C00A	Non-Parity Memory
PCB, SIMM, 8Mb 2M X 32 RAM 72 Pin	EAP0056C00A	Non-Parity Memory
PCB, STL Interconnect	7001-2298-01	
PCB, STL Interface	7001-2301-01	Optional
PCB, Sunbus Backplane	7001-2053-01	
PCB, System Interface	7001-2081-02	
PCB, Terminal	7008-0054	
PCB, Terminal	7008-0318	
PCB, Terminal Insulator	7031-0180	
PCB, Terminal Insulator	7031-0181	
PCB, Timing Light	7001-1231-01	
PCB, Timing Light	7001-2044-01	Old Style, see note page 20-17
PCB, Timing Light	7001-2313-01	New Style
PCB, Video, SVGA	7001-2160-01	
PCB, Video, SVGA	EAP0012C00A	
POD Holder (PODs)	7003-0721-01	
POD Holder (VIPs)	7003-0711-01	
Power Supply (Pod)	7009-2364-01	
Power Supply, Computer	0532-0018	
Printer, 24 pin 110V, AMT242	0528-0029-01	
Printer, 24 Pin 220VAC	0528-0029-02	
Printer, Okidata, 380	0528-0023-01	
Printer, Paper, Tractor feed	0528-0994-01	
Printer, Ribbon, AMT 24 Pin	0528-1065-01	
Printer, Ribbon, Okidata, 24 Pin	0528-1061-01	
Pump Assy, Vacuum 110V	0303-0104-01	
Pump Assy, Vacuum 220V	0303-0107-01	
Remote Control Assy	7009-1921-02	Remote ^W / Blue Arrow Keys
Remote Control Assy	7009-1921-03	Remote ^W / Yellow Arrow Keys
Remote, Case, Lower	7054-0103	
Remote, Case, Upper	7054-0102	
Remote, Keypad	0552-0031	^W / Blue Arrow Keys
Remote, Keypad	0552-0086-01	^W / Yellow Arrow Keys
Remote, Keypad, Insert	0552-0090-01	^W / Yellow Arrow Keys
Remote, Magnet	0865-0112	Flex Adhesive Backed
Remote, Magnet, Adhesive	0626-0070	
Restrictor, Flow, Leak Check Switch	3841-0101-05	Orifice .009 Dia. length 2.87"
Restrictor, Flow, Low Flow Switch	3841-0101	Orifice .009 Dia. length 9"
Restrictor, Flow, O2 Sensor	3841-0111-01	Orifice .030 Dia. (Yellow)
Sensor, Oxygen	7049-0004-01	
Slide, 10"Drawer	0109-0023-01	
Slide, 14"Keyboard	0109-0025-01	
Slide, 16"Drawer	0109-0023-03	
Slide, 3.5"Drive Mount	0109-0021-01	
Socket, ALDL	4162-0836-01	
Socket, Remote	4162-0834-01	
Speaker, Computer	0514-0305	
Switch, Leak Check	0549-0017	

EFFECTIVE

07/98

CHAPTER 20 PARTS

DESCRIPTION	PART NUMBER	COMMENTS
Switch, Low Flow	0549-0019-02	
Switch, On/Off	0764-0231	
Switch, Reset	0764-0241-01	
Switch, SWI. Speaker	0764-0216-02	
Swivel, Barstool	7024-1000-01	
Swivel, Pod Handle	0813-0903-01	
Test Lead, Adapter, Euro-Diagnostics	6004-0370	Mercedes-Benz
Test Lead, Adapter, Euro-Magnetic Timing	6004-0350	Volvo
Test Lead, Adapter, Euro-Magnetic Timing	6004-0351	British Leyland
Test Lead, Adapter, Euro-Magnetic Timing	6004-0353	BMW
Test Lead, Adapter, Euro-Magnetic Timing	6004-0375	VW
Test Lead, Adapter, Euro-Magnetic Timing	6004-0396	Extension Cable
Test Lead, Adapter, Euro-Magnetic Timing	6004-0652	Citroen/Renault/Peugeot
Test Lead, Adapter, Euro-Magnetic Timing	6004-E9310-33	VW/Audi Liquid Cooled Engine
Test Lead, Adapter, Exhaust	0507-0025-01	Sample Probe, Needle
Test Lead, Adapter, Mag Timing	7054-0056	Ford, F1
Test Lead, Adapter, Mag Timing	7054-0057	Chry, C1
Test Lead, Adapter, Mag Timing	7054-0060	Ford, F2
Test Lead, Adapter, Mag Timing	7054-0062	Chry, C2
Test Lead, Adapter, Pri-Ign	6002-0355	
Test Lead, Adapter, Pri-Ign, Chrysler	0552-0120-01	Thexton # THX433
Test Lead, Adapter, Pri-Ign, Ford TFI Coil	0552-0074-01	Thexton # THX386
Test Lead, Adapter, Pri-Ign, GM External Coil	0552-0044	Thexton # THX376
Test Lead, Adapter, Pri-Ign, GM Micro Pack	0552-0045	Thexton # THX388
Test Lead, Adapter, Pri-Ign, Multipurpose Coil	0552-0043	Thexton # THX367
Test Lead, Adapter, Secondary	0682-1049-01	Conductive Sticker
Test Lead, Adapter, Secondary	6004-0775-02	Distributorless Ignition "Y"
Test Lead, Adapter, Secondary, Pattern Pick-up	1747-0101	Chrome
Test Lead, Adapter, Secondary, Pattern Pick-up	1747-0102	GM HEI
Test Lead, Adapter, Secondary, Pattern Pick-up	1747-0103	Toyota ASM
Test Lead, Adapter, Secondary, Pattern Pick-up	1747-0105	Isuzu/ Spectrum /Civic/Integra
Test Lead, Adapter, Secondary, Pattern Pick-up	6004-0819-01	Universal Integral Coil
Test Lead, Adapter, STL (New Style)	6004-0716-01	Chrysler (none L/H models)
Test Lead, Adapter, STL (New Style)	6004-0717-01	GM 12-Pin
Test Lead, Adapter, STL (New Style)	6004-0718-01	Ford EEC-IV/MCU
Test Lead, Adapter, STL (New Style)	6004-0719-01	GM 5 Pin
Test Lead, Adapter, STL (New Style)	6004-0720-01	Escort GT/Mazda 323/Miata/MPV
Test Lead, Adapter, STL (New Style)	6004-0721-01	Ford Probe, ABS
Test Lead, Adapter, STL (New Style)	6004-0722-01	Geo Metro
Test Lead, Adapter, STL (New Style)	6004-0723-01	Universal Extension
Test Lead, Adapter, STL (New Style)	6004-0783-01	GM ABS 12 pin to 12 Pin "H"
Test Lead, Adapter, STL (New Style)	6004-0795-01	Universal
Test Lead, Adapter, STL (New Style)	6004-0832-01	Chrysler (L/H Models)
Test Lead, Adapter, STL (Old Style)	6004-0417	GM 5 Pin
Test Lead, Adapter, STL (Old Style)	6004-0442	Chrysler (none L/H models)
Test Lead, Adapter, STL (Old Style)	6004-0443	Ford EEC-IV/MCU
Test Lead, Adapter, STL (Old Style)	6004-0522	GM 12-Pin
Test Lead, Adapter, STL (Old Style)	6004-0524	GM Fast Stream
Test Lead, Adapter, STL (Old Style)	6004-0525	Chrysler Fast Stream
Test Lead, Adapter, STL (Old Style)	6004-0698-01	Chrysler (none L/H models)
Test Lead, Adapter, STL (Old Style)	6004-0731-01	GM 12 Pin
Test Lead, Adapter, STL (Old Style)	6004-0782-01	Fast Stream (12 pin to 12 pin)
Test Lead, Amps	6005-0171	10ft
Test Lead, Amps	6005-0171-01	5ft
Test Lead, Exhaust	7009-1869-01	Sample Probe
Test Lead, Exhaust, Hose	3988-0230-01	Single, Duel Capable
Test Lead, Exhaust, Hose	3988-0231-01	Duel
Test Lead, Exhaust, Hose	3988-0255-01	Single, Original

DESCRIPTION	PART NUMBER	COMMENTS
Test Lead, Jumper Wire	0002-0133-15	Red, 15"
Test Lead, Jumper Wire	6002-0346	Jumper/Probe Assembly
Test Lead, Jumper Wire	6002-0349	
Test Lead, Retaining Ring	2-13148	Shell Size 11
Test Lead, Retaining Ring	2-13248	Shell Size 13
Test Lead, Retaining Ring	2-13348	Shell Size 17
Test Lead, Retaining Ring	2-13448	Shell Size 23
Test Lead, Seal	4162-0937	Shell Size 11
Test Lead, Seal	4162-0938	Shell Size 17
Test Lead, Seal	4162-0947	Shell Size 23
Test Lead, Seal	4162-0960	Shell Size 13
Test Lead, Secondary	6004-0544-01	Distributorless Ignition, 5ft.
Test Lead, Secondary	6004-0544-02	Distributorless Ignition, 10ft
Test Lead, Secondary	6004-0763-01	Blue, 5ft.
Test Lead, Secondary	6004-0763-02	Blue, 10ft.
Test Lead, Temperature, Oil	6004-0407	10ft
Test Lead, Temperature, Oil	6004-0407-02	5ft
Test Lead, Test Cap	0787-0035	Exhaust Probe
Test Lead, Test Clip	0672-0035-01	Insulation Piercing
Test Lead, Timing, Light Assembly	7009-1374-06	10ft
Test Lead, Timing, Light Assembly	7009-1374-07	5ft
Test Lead, Timing, Magnetic Probe	7009-2334-01	10ft
Test Lead, Timing, Magnetic Probe	7009-2334-02	5ft
Test Lead, Trigger	7009-2325-01	Red, 5ft
Test Lead, Trigger	7009-2325-02	Red, 10ft
Test Lead, Universal, Primary/Battery Volts	6005-0182-01	5ft
Test Lead, Universal, Primary/Battery Volts	6005-0182-02	10ft
Test Lead, Vacuum, Hose	0669-0623	1/8 x 5/16 x 6
Test Lead, Vacuum, Hose	0669-0733	3/16 x 5/16 x 6
Test Lead, Vacuum, Hose	0669-0734	1/4 x 7/16 x 6
Test Lead, Vacuum, Hose	6006-0003	10ft
Test Lead, Vacuum, Hose	6006-0003-01	5ft
Test Lead, Vacuum, Tee	0647-0170	
Test Lead, Volt/Ohm	6004-0462	10ft
Test Lead, Volt/Ohm	6004-0462-01	5ft
Timing Light, Flash Tube	1677-0011	Old Style
Timing Light, Flash Tube	3905	New Style
Timing Light, Fuse Holder	1417-0025	
Timing Light, Fuse,	0739-0040	1 amp Slo-Blo
Timing Light, Fuse, F1	0739-0106-09	2 Amp
Timing Light, Handle	7059-0511-01	
Timing Light, Housing	7059-0406	
Timing Light, Knob Assembly	7009-1063	
Timing Light, Lens	0391-0007	
Timing Light, Lens Holder	7054-0021-01	
Timing Light, Pot, Advance Trim	0685-0360	
Timing Light, Switch	0764-0207	
Timing Light, Transformer	0007-8001	Trigger Lead (New Style)
Timing Light, Transformer	0778-0405-01	Trigger Lead (Old Style)
Timing Light, Tube, Reflector	7015-0059	
Tubing, 1/4 ID	0669-0220	Clear
Tubing, 3/16"ID	0669-0229	Clear
Tubing, Vacuum, Hose	0669-0007	Pod 2 Internal (2"Long)
Valve Assembly, Vacuum	7009-1430	
Valve, Solenoid	0304-0035	
Valve, Solenoid 3-way	0304-0044-01	
WA, Base, Monitor ser A	7020-2109-01	Production Item
WA, Base, Monitor ser B	7003-0745-01	Production Item

EFFECTIVE

07/98

CHAPTER 20 PARTS

DESCRIPTION	PART NUMBER	COMMENTS
WA, Block, O2 Sensor	7002-0261-01	
WA, Boom	7009-2404-01	Production Item
WA, Boom Collar	EAS0017C00A	Production Item
WA, Bracket, Disk Drive	7020-2056-01	Production Item
WA, Bracket, Filter Mounting	7012-1382-01	Production Item
WA, Bracket, Hard Drive	7012-1444-01	Production Item
WA, Bracket, LH, Printer	7012-1448-01	Production Item
WA, Bracket, Mounting	7012-0808	Production Item
WA, Bracket, Mounting PCB	7012-1505-01	Production Item
WA, Bracket, Paper	7012-1455-01	Production Item
WA, Bracket, Paper Guide	7012-1454-01	Production Item
WA, Bracket, Paper Storage	7012-1449-01	Production Item
WA, Bracket, RH, Printer	7012-1448-02	Production Item
WA, Bracket, Timing Light	7012-1523-01	
WA, Cover	7020-2108-01	Production Item
WA, Cover, Expansion Assy.	7014-1122-01	Production Item
WA, Cover, Lower, Painted, Pod 1	7020-2100-02	Production Item
WA, Cover, Lower, Painted, Pod 2	7020-2103-02	Production Item
WA, Cover, Lower, Painted, VIP 1	7020-2114-02	Production Item
WA, Cover, Lower, Painted, VIP 2	7020-2116-02	Production Item
WA, Cover, O2 Sensor & Block	7014-1183-01	
WA, Cover, Power Supply	7014-1166-01	
WA, Cover, Upper, Painted, Pod 1	7020-2101-02	Production Item
WA, Cover, Upper, Painted, Pod 2	7020-2104-02	Production Item
WA, Cover, Upper, Painted, VIP 1	7020-2115-02	Production Item
WA, Cover, Upper, Painted, VIP 2	7020-2117-02	Production Item
WA, Door, Disk Drive	7020-2060-01	Production Item
WA, Frame	7009-2485-01	Production Item
WA, Housing, Computer Module	7020-2059-01	Production Item
WA, Housing, Fan Filter	7020-2061-01	Production Item
WA, Housing, Fan Filter	7004-0354	Production Item
WA, Housing, IR	7020-2052-01	Production Item
WA, Panel, Filter IR, Screened	7005-2434-01	Production Item
WA, Panel, Front, Screened	7020-2058-01	Production Item
WA, Panel, IR False	7005-2488-01	Production Item
WA, Panel, Printer, Screened	7005-2444-01	Production Item
WA, Panel, Rear, Screened	7005-2440-01	Production Item
WA, Panel, Storage Drawer, Screened	7005-2445-01	Production Item
WA, Plate, Connector, Pod 1	7003-0698-02	Production Item
WA, Plate, Connector, Pod 2	7003-0700-02	Production Item
WA, Plate, Connector, VIP 1	7003-0707-02	Production Item
WA, Plate, Connector, VIP 2	7003-0709-02	Production Item
WA, Plate, Hanger, Pod 1	7003-0697-02	Production Item
WA, Plate, Hanger, VIP 1	7003-0708-02	Production Item
WA, Plate, ID, IR	4600-1003-01	Production Item
WA, Plate, Rear, Pod 2	7003-0701-02	Production Item
WA, Plate, Rear, VIP 2	7003-0710-02	Production Item
WH, AC Computer	7076-0851-01	Production Item
WH, AC Power	6001-0199-01	Monitor
WH, AC Power 115 Volt	6001-0198-02	Printer
WH, AC Power 115V	6001-0177-01	
WH, AC Power 220 Volt	6001-0198-01	Printer
WH, AC Power 220V	6001-0178	
WH, Fan Power	7076-0753-02	Production Item
WH, Host Pod Internal	7076-0970-01	Production Item
WH, Internal Timing	7076-0983-01	Production Item
WH, Internal Timing	7076-0983-01	Production Item
WH, Internal Timing	EAX0014C00A	Production Item

DESCRIPTION	PART NUMBER	COMMENTS
WH, IR Analyzer	6004-0355-02	Production Item
WH, Pod 1-2	7076-0981-01	
WH, Pod 2 Interconnect	6004-0794-01	Production Item
WH, Pod 2, Amps	7076-0982-01	Production Item
WH, Pod 2, Timing	7076-0985-01	Production Item
WH, Pod, Umbilical	6004-0768-01	
WH, Printer Interface	6004-0569-01	Serial B
WH, Printer Interface	6004-0707-01	
WH, Printer Outlet Assy.	7009-2329-01	Production Item
WH, Remote Control	6004-0517	
WH, Timing Light	6004-0758-01	10ft
WH, Timing Light	6004-0758-02	5ft
WH, W01, Floppy Drive Power	7076-0847-01	Production Item
WH, W02, Hard Drive Power	7076-0848-01	Production Item
WH, W03, CPU Power Cable	7076-0849-01	Production Item
WH, W04, Power Supply	7076-0850-01	Production Item
WH, W05, IR Controller, DC	7076-0886-01	Production Item
WH, W08, Sunbus Power	7076-0978-01	Production Item
WH, W09, CD-ROM Power	7076-0986-01	Production Item
WH, W17, AC Power Supply	7076-0852-01	Production Item
WH, W22, ALDL	7076-0562-03	Production Item
WH, W22, Emissions Ex Fan	7076-0753-03	Production Item
WH, W23 IR AC	7076-0885-01	Production Item
WH, W24 IR Pump	7076-0884-01	Production Item
WH, W25, Bench AC	7076-0887-01	Production Item
WH, W31, Floppy Drive Data	6004-0739-01	Production Item
WH, W32, Hard Drive Data	6004-0741-01	Production Item
WH, W33 Parallel Port	6004-0766-01	Production Item
WH, W34 Serial Port.	6004-0765-01	Production Item
WH, W40, IR Sun Comm	6004-0778-01	Production Item
WH, W42, Sunbus	6004-0605-02	Production Item
WH, W43, CD ROM Data	6004-0796-01	Production Item
WH, W44, Pod 1-2	6004-0811-01	Production Item
WH, W45, VIP2, Interconnect	6004-0813-01	Production Item
WH, W46, Reset	7076-0903-01	Production Item
WH, W47, Audio Output	7076-0790-01	Production Item
WH, W48, Arbitrator/Keyboard	7076-0890-01	Production Item
WH, W49, Arbitrator	7076-0888-01	Production Item
WH, W55, O2/Low Flow	7076-0889-01	Production Item
WH, W56 Umbilical Input	7076-0945-01	Production Item
WH, W56, Umbilical Internal	7076-0990-01	Production Item
WH, W57, DC Interconnect	7076-0942-01	Production Item
WH, W58, Ana/Dig	6004-0776-01	Production Item
WH, W59, Pri/Coil/Bat Interconnect	7076-0944-01	Production Item
WH, W60, Ign/Pinpts Interconnect	7076-0943-01	Production Item
WH, W62, Mag Interconnect	7076-0989-01	Production Item
WH, W63, Interface POD	7076-0991-01	Production Item

PARTS IN NUMERICAL ORDER

PART NUMBER	DESCRIPTION	COMMENTS
0002-0133-15	Test Lead, Jumper Wire	Red, 15"
0007-8001	Timing Light, Transformer	Trigger Lead (New Style)
0109-0021-01	Slide, 3.5"Drive Mount	
0109-0023-01	Slide, 10"Drawer	
0109-0023-03	Slide, 16"Drawer	
0109-0025-01	Slide, 14"Keyboard	
0301-0126	Filter, Air, (20 PPI Type Q Foam)	.5"x 4.5"x 4.5"± .09
0301-0135-01	Filter Bowl, Assembly Secondary	
0301-0136-01	Filter Bowl, Assembly Primary	
0301-0138-02	Filter, Air, (Open Cell 30 PPI Charcoal Z Foam)	.5 x 3.38"x 26.94"± .09
0301-0138-03	Filter, Air, (Open Cell 30 PPI Charcoal Z Foam)	.5 x 4.6"x 7.62"± .09
0301-0138-05	Filter, Air, (Open Cell 30 PPI Charcoal Z Foam)	.5 x 4.5"x 9.75"± .09
0301-0942-01	Filter Bowl, Housing	
0301-0943-01	Filter Bowl, Seal	O"Ring
0301-0944-01	Filter Bowl, Element	75 Micron
0301-0945-01	Filter Bowl, Element	8 Micron
0301-0946-01	Filter Bowl, Retainer Nut,	
0301-0947-01	Filter Bowl	
0301-0948-01	Filter Bowl, Nut	
0303-0104-01	Pump Assy, Vacuum 110V	
0303-0107-01	Pump Assy, Vacuum 220V	
0304-0035	Valve, Solenoid	
0304-0044-01	Valve, Solenoid 3-way	
0391-0007	Timing Light, Lens	
0429-0044-16	Hardware, Spacer, Hex, 6-32	
0501-0003	Grommet, Rubber	O2 Sensor WH Hole
0507-0025-01	Test Lead, Adapter, Exhaust	Sample Probe, Needle
0514-0305	Speaker, Computer	
0528-0023-01	Printer, Okidata, 380	
0528-0029-01	Printer, 24 pin 110V, AMT242	
0528-0029-02	Printer, 24 Pin 220VAC	
0528-0994-01	Printer, Paper, Tractor feed	
0528-1061-01	Printer, Ribbon, Okidata, 24 Pin	
0528-1065-01	Printer, Ribbon, AMT 24 Pin	
0532-0018	Power Supply, Computer	
0549-0017	Switch, Leak Check	
0549-0019-02	Switch, Low Flow	
0552-0031	Remote, Keypad	W/ Blue Arrow Keys
0552-0043	Test Lead, Adapter, Pri-Ign, Multipurpose Coil	Thexton # THX367
0552-0044	Test Lead, Adapter, Pri-Ign, GM External Coil	Thexton # THX376
0552-0045	Test Lead, Adapter, Pri-Ign, GM Micro Pack	Thexton # THX388
0552-0064-01	Drive, Disk 3.5"1.44 Mb	
0552-0074-01	Test Lead, Adapter, Pri-Ign, Ford TFI Coil	Thexton # THX386
0552-0082-01	Disk, MS-DOS 5.0	
0552-0086-01	Remote, Keypad	W/ Yellow Arrow Keys
0552-0089-01	Mouse, Honeywell	Discontinued
0552-0090-01	Remote, Keypad, Insert	W/ Yellow Arrow Keys
0552-0103-01	Mouse, Pad	
0552-0104-01	Disk, MS-DOS 6.22	
0552-0116-01	Mouse, 3 Button, Black (Sejin)	
0552-0117-01	Keyboard, 101 Keys, Black	
0552-0120-01	Test Lead, Adapter, Pri-Ign, Chrysler	Thexton # THX433
0552-0125-01	Disk, Microsoft Windows 3.11	
0552-0946-06	Drive, CD-ROM W/Caddy	Discontinued

PART NUMBER	DESCRIPTION	COMMENTS
0552-0947-01	PCB, SCSI	
0552-0948-01	Disk Caddy, CD-ROM	
0552-0990-01	Keyboard, AT/XT	Discontinued
0552-0993-01	Keyboard Protector	Discontinued
0552-1086-01	Keyboard Skin, 101 Key	
0561-0144-01	Mount, Rubber ^w /Insert	
0561-0147-01	Hardware, Shock mount, Rubber, Blue	
0562-0022-01	Hardware, Clip, Hanger	
0562-0023-02	Hardware, Clip, Hanger Vinyl Coated	
0587-0504	Fan, Axial, 115V	
0587-0507-01	Fan, Axial, 220V	
0616-0006	Hardware, Nut, Keps 6-32	
0626-0070	Remote, Magnet, Adhesive	
0647-0028	Fitting, Adapter, Filter Bowls	1/8"male to 1/4"Female
0647-0044	Fitting, Elbow,	
0647-0069	Fitting, Adapter, Pipe to Hose	
0647-0070	Fitting, Adapter, Pipe-Hose	1/8 NPT
0647-0073	Fitting, Adapter, Pipe to Hose	
0647-0083	Fitting, Elbow	1/4"NPT
0647-0102	Fitting, Tee, Gas Drawer	
0647-0137	Fitting, Elbow, 45° Adapter	159F-6-4
0647-0138	Fitting, Adapter, Plug Fitting	N2HPL
0647-0170	Test Lead, Vacuum, Tee	
0647-0186	Fitting, Tee	N4TUB-4
0647-0192-01	Fitting, Nipple, Close	1/8"x 1 1/2
0647-0239-01	Fitting, Adapter, Elbow	
0669-0007	Tubing, Vacuum, Hose	Pod 2 Internal (2"Long)
0669-0220	Tubing, 1/4 ID	Clear
0669-0229	Tubing, 3/16"ID	Clear
0669-0623	Test Lead, Vacuum, Hose	1/8 x 5/16 x 6
0669-0733	Test Lead, Vacuum, Hose	3/16 x 5/16 x 6
0669-0734	Test Lead, Vacuum, Hose	1/4 x 7/16 x 6
0672-0035-01	Test Lead, Test Clip	Insulation Piercing
0682-0294	Label, Fan Caution	
0682-0807-01	Label, Filter Maintenance	
0682-1000-01	Label, Caution, Warning	
0682-1001-01	Label, Caution UL/CSA	
0682-1049-01	Test Lead, Adapter, Secondary	Conductive Sticker
0682-1089-01	Label, Power Warning	
0682-1109-01	Label, Keyboard	
0685-0360	Timing Light, Pot, Advance Trim	
0739-0040	Timing Light, Fuse,	1 amp Slo-Blo
0739-0106-09	Timing Light, Fuse, F1	2 Amp
0758-0195-01	Knob, Cap	
0758-0206-01	Knob, Vacuum	
0764-0207	Timing Light, Switch	
0764-0216-02	Switch, SWI. Speaker	
0764-0231	Switch, On/Off	
0764-0241-01	Switch, Reset	
0768-0021-01	Battery, Alkaline	
0773-0581-09	IC, PROM, Programmed	Remote ^w / Yellow Arrow Keys
0773-2069-01	IC, Personality, Gas Bench	Serial A using 7001-2181-01
0773-2069-02	IC, Personality, Gas Bench	Serial B using 7001-2304-01
0773-2071-01	IC, Personality Digital PCB	Serial A using 7001-2187-01
0773-2071-02	IC, Personality Digital PCB	Serial B using 7001-2238-01
0778-0405-01	Timing Light, Transformer	Trigger Lead (Old Style)
0787-0035	Test Lead, Test Cap	Exhaust Probe
0813-0052-02	Handle, Push-In	

CHAPTER 20 PARTS

PART NUMBER	DESCRIPTION	COMMENTS
0813-0059-02	Handle, Unit Side	Production Item
0813-0061-01	Handle, Pod	
0813-0903-01	Swivel, Pod Handle	
0859-0418-01	Monitor, 14"Color	
0859-0465-02	Monitor, 14"Color 115V ser B	
0859-0468-01	Monitor, 17"(Acer, 7176S)	
0859-0471-01	Monitor, 14"(Acer, 7133S)	
0859-0472-01	Monitor, 15"(Acer, 7177S)	
0865-0112	Remote, Magnet	Flex Adhesive Backed
1091-0258-01	Kit, Boom	
1417-0025	Timing Light, Fuse Holder	
1489-0007	Hardware, Bumper, Rubber	Pod 1, Case Assembly
1677-0011	Timing Light, Flash Tube	Old Style
1734-0031	Cover, Connector, Button Plug	Modem Expansion Hole
1747-0101	Test Lead, Adapter, Secondary, Pattern Pick-up	Chrome
1747-0102	Test Lead, Adapter, Secondary, Pattern Pick-up	GM HEI
1747-0103	Test Lead, Adapter, Secondary, Pattern Pick-up	Toyota ASM
1747-0105	Test Lead, Adapter, Secondary, Pattern Pick-up	Isuzu/ Spectrum /Civic/Integra
1922-0105-19	Circuit Breaker 220V	
1922-0105-25	Circuit Breaker 115V	
2035-0003	Bushing, Heyco	Pod 2 Interface Cable
2035-0008	Bushing, Heyco	AC Power Cable
2035-0009	Bushing, Heyco	Modem Cable
2-13148	Test Lead, Retaining Ring	Shell Size 11
2-13248	Test Lead, Retaining Ring	Shell Size 13
2-13348	Test Lead, Retaining Ring	Shell Size 17
2-13448	Test Lead, Retaining Ring	Shell Size 23
2161-0023	Hanger, Cable	
2209	Fitting, Nipple	
3645-0053-01	Caster, ^w / _o Brake	
3645-0053-02	Caster, ^w / _o Brake	
3841-0101	Restrictor, Flow, Low Flow Switch	Orifice .009 Dia. length 9"
3841-0101-05	Restrictor, Flow, Leak Check Switch	Orifice .009 Dia. length 2.87"
3841-0111-01	Restrictor, Flow, O2 Sensor	Orifice .030 Dia. (Yellow)
3905	Timing Light, Flash Tube	New Style
3988-0230-01	Test Lead, Exhaust, Hose	Single, Duel Capable
3988-0231-01	Test Lead, Exhaust, Hose	Duel
3988-0255-01	Test Lead, Exhaust, Hose	Single, Original
4055-0187	Keyboard, Overlay	
4162-0834-01	Socket, Remote	
4162-0836-01	Socket, ALDL	
4162-0937	Test Lead, Seal	Shell Size 11
4162-0938	Test Lead, Seal	Shell Size 17
4162-0947	Test Lead, Seal	Shell Size 23
4162-0960	Test Lead, Seal	Shell Size 13
4600-0183	Label, Correlation	
4600-1003-01	WA, Plate, ID, IR	Production Item
5666-0051-01	Latch, Door	
5696-0007	Hardware, Catch	
5696-0008	Hardware, Fastener	
5878-0902	Mount, Cable	
6001-0177-01	WH, AC Power 115V	
6001-0178	WH, AC Power 220V	
6001-0198-01	WH, AC Power 220 Volt	Printer
6001-0198-02	WH, AC Power 115 Volt	Printer
6001-0199-01	WH, AC Power	Monitor
6002-0346	Test Lead, Jumper Wire	Jumper/Probe Assembly
6002-0349	Test Lead, Jumper Wire	

PART NUMBER	DESCRIPTION	COMMENTS
6002-0355	Test Lead, Adapter, Pri-Ign	
6004-0350	Test Lead, Adapter, Euro-Magnetic Timing	Volvo
6004-0351	Test Lead, Adapter, Euro-Magnetic Timing	British Leyland
6004-0353	Test Lead, Adapter, Euro-Magnetic Timing	BMW
6004-0355-02	WH, IR Analyzer	Production Item
6004-0370	Test Lead, Adapter, Euro-Diagnostics	Mercedes-Benz
6004-0375	Test Lead, Adapter, Euro-Magnetic Timing	VW
6004-0396	Test Lead, Adapter, Euro-Magnetic Timing	Extension Cable
6004-0407	Test Lead, Adapter, Temperature, Oil	10ft
6004-0407-02	Test Lead, Temperature, Oil	5ft
6004-0417	Test Lead, Adapter, STL (Old Style)	GM 5 Pin
6004-0442	Test Lead, Adapter, STL (Old Style)	Chrysler (none L/H models)
6004-0443	Test Lead, Adapter, STL (Old Style)	Ford EEC-IV/MCU
6004-0462	Test Lead, Volt/Ohm	10ft
6004-0462-01	Test Lead, Volt/Ohm	5ft
6004-0517	WH, Remote Control	
6004-0522	Test Lead, Adapter, STL (Old Style)	GM 12-Pin
6004-0524	Test Lead, Adapter, STL (Old Style)	GM Fast Stream
6004-0525	Test Lead, Adapter, STL (Old Style)	Chrysler Fast Stream
6004-0544-01	Test Lead, Secondary	Distributorless Ignition, 5ft.
6004-0544-02	Test Lead, Secondary	Distributorless Ignition, 10ft
6004-0569-01	WH, Printer Interface	Serial B
6004-0605-02	WH, W42, Sunbus	Production Item
6004-0652	Test Lead, Adapter, Euro-Magnetic Timing	Citroen/Renault/Peugeot
6004-0698-01	Test Lead, Adapter, STL (Old Style)	Chrysler (none L/H models)
6004-0707-01	WH, Printer Interface	
6004-0716-01	Test Lead, Adapter, STL (New Style)	Chrysler (none L/H models)
6004-0717-01	Test Lead, Adapter, STL (New Style)	GM 12-Pin
6004-0718-01	Test Lead, Adapter, STL (New Style)	Ford EEC-IV/MCU
6004-0719-01	Test Lead, Adapter, STL (New Style)	GM 5 Pin
6004-0720-01	Test Lead, Adapter, STL (New Style)	Escort GT/Mazda 323/Miata/MPV
6004-0721-01	Test Lead, Adapter, STL (New Style)	Ford Probe, ABS
6004-0722-01	Test Lead, Adapter, STL (New Style)	Geo Metro
6004-0723-01	Test Lead, Adapter, STL (New Style)	Universal Extension
6004-0731-01	Test Lead, Adapter, STL (Old Style)	GM 12 Pin
6004-0739-01	WH, W31, Floppy Drive Data	Production Item
6004-0741-01	WH, W32, Hard Drive Data	Production Item
6004-0758-01	WH, Timing Light	10ft
6004-0758-02	WH, Timing Light	5ft
6004-0763-01	Test Lead, Secondary	Blue, 5ft.
6004-0763-02	Test Lead, Secondary	Blue, 10ft.
6004-0765-01	WH, W34 Serial Port.	Production Item
6004-0766-01	WH, W33 Parallel Port	Production Item
6004-0768-01	WH, Pod, Umbilical	
6004-0775-02	Test Lead, Adapter, Secondary	Distributorless Ignition "Y"
6004-0776-01	WH, W58, Ana/Dig	Production Item
6004-0778-01	WH, W40, IR Sun Comm	Production Item
6004-0782-01	Test Lead, Adapter, STL (Old Style)	Fast Stream (12 pin to 12 pin)
6004-0783-01	Test Lead, Adapter, STL (New Style)	GM ABS 12 pin to 12 Pin "H"
6004-0794-01	WH, Pod 2 Interconnect	Production Item
6004-0795-01	Test Lead, Adapter, STL (New Style)	Universal
6004-0796-01	WH, W43, CD ROM Data	Production Item
6004-0811-01	WH, W44, Pod 1-2	Production Item
6004-0813-01	WH, W45, VIP2, Interconnect	Production Item
6004-0819-01	Test Lead, Adapter, Secondary, Pattern Pick-up	Universal Integral Coil
6004-0832-01	Test Lead, Adapter, STL (New Style)	Chrysler (L/H Models)
6004-E9310-33	Test Lead, Adapter, Euro-Magnetic Timing	VW/Audi Liquid Cooled Engine
6005-0171	Test Lead, Amps	10ft

CHAPTER 20 PARTS

PART NUMBER	DESCRIPTION	COMMENTS
6005-0171-01	Test Lead, Amps	5ft
6005-0182-01	Test Lead, Universal, Primary/Battery Volts	5ft
6005-0182-02	Test Lead, Universal, Primary/Battery Volts	10ft
6006-0003	Test Lead, Vacuum, Hose	10ft
6006-0003-01	Test Lead, Vacuum, Hose	5ft
7001-0543-02	PCB, ALDL Reader	
7001-0546	PCB, Assy, Remote	Remote ^{w/} Blue Arrow Keys
7001-1231-01	PCB, Timing Light	
7001-2021-03	PCB, Arbitrator	
7001-2044-01	PCB, Timing Light	Old Style, see note page 20-17
7001-2053-01	PCB, Sunbus Backplane	
7001-2081-02	PCB, System Interface	
7001-2160-01	PCB, Video, SVGA	
7001-2161-02	PCB, CPU ^{w/} RAM	386-SX16
7001-2178-01	PCB, PC Interface	
7001-2181-01	PCB, Emission Controller	
7001-2186-01	PCB, Analog, Pod-1	
7001-2187-01	PCB, Digital, Pod-1	
7001-2214-01	PCB, Input, Pod 1 & VIP 1	
7001-2236-01	PCB, Main, Pod 2 & VIP 2	
7001-2237-01	PCB, Input, Pod 2 & VIP 2	
7001-2238-01	PCB, Digital, VIP 1	
7001-2239-01	PCB, Analog, VIP 1	
7001-2243-01	PCB, SIMM, 1M X 9 RAM, 30 Pin	Parity Memory
7001-2244-01	PCB, CPU, ^{w/} 4 Mb RAM	386-SX16
7001-2298-01	PCB, STL Interconnect	
7001-2301-01	PCB, STL Interface	Optional
7001-2304-01	PCB, Emissions Controller	Serial A
7001-2312-02	PCB, CPU ^{w/} 8 Mb Ram	486-SX25
7001-2313-01	PCB, Timing Light	New Style
7001-2316-01	PCB, Modem, 14.4 Baud	Optional
7002-0260-01	Hardware, Rod, Prop	
7002-0261-01	WA, Block, O2 Sensor	
7003-0697-02	WA, Plate, Hanger, Pod 1	Production Item
7003-0698-02	WA, Plate, Connector, Pod 1	Production Item
7003-0700-02	WA, Plate, Connector, Pod 2	Production Item
7003-0701-02	WA, Plate, Rear, Pod 2	Production Item
7003-0707-02	WA, Plate, Connector, VIP 1	Production Item
7003-0708-02	WA, Plate, Hanger, VIP 1	Production Item
7003-0709-02	WA, Plate, Connector, VIP 2	Production Item
7003-0710-02	WA, Plate, Rear, VIP 2	Production Item
7003-0711-01	POD Holder (VIPs)	
7003-0721-01	POD Holder (PODs)	
7003-0745-01	WA, Base, Monitor ser B	Production Item
7004-0354	WA, Housing, Fan Filter	Production Item
7005-2434-01	WA, Panel, Filter IR, Screened	Production Item
7005-2440-01	WA, Panel, Rear, Screened	Production Item
7005-2444-01	WA, Panel, Printer, Screened	Production Item
7005-2445-01	WA, Panel, Storage Drawer, Screened	Production Item
7005-2488-01	WA, Panel, IR False	Production Item
7008-0054	PCB, Terminal	
7008-0318	PCB, Terminal	
7009-0728	Fitting, Aspirator	
7009-1063	Timing Light, Knob Assembly	
7009-1374-06	Test Lead, Timing, Light Assembly	10ft
7009-1374-07	Test Lead, Timing, Light Assembly	5ft
7009-1430	Valve Assembly, Vacuum	
7009-1486-03	Diode Assy	

PART NUMBER	DESCRIPTION	COMMENTS
7009-1869-01	Test Lead, Exhaust	Sample Probe
7009-1921-02	Remote Control Assy	Remote ^W / Blue Arrow Keys
7009-1921-03	Remote Control Assy	Remote ^W / Yellow Arrow Keys
7009-2325-01	Test Lead, Trigger	Red, 5ft
7009-2325-02	Test Lead, Trigger	Red, 10ft
7009-2329-01	WH, Printer Outlet Assy.	Production Item
7009-2334-01	Test Lead, Timing, Magnetic Probe	10ft
7009-2334-02	Test Lead, Timing, Magnetic Probe	5ft
7009-2364-01	Power Supply (Pod)	
7009-2404-01	WA, Boom	Production Item
7009-2485-01	WA, Frame	Production Item
7012-0808	WA, Bracket, Mounting	Production Item
7012-1382-01	WA, Bracket, Filter Mounting	Production Item
7012-1444-01	WA, Bracket, Hard Drive	Production Item
7012-1448-01	WA, Bracket, LH, Printer	Production Item
7012-1448-02	WA, Bracket, RH, Printer	Production Item
7012-1449-01	WA, Bracket, Paper Storage	Production Item
7012-1454-01	WA, Bracket, Paper Guide	Production Item
7012-1455-01	WA, Bracket, Paper	Production Item
7012-1484-01	Hanger, Pod	
7012-1505-01	WA, Bracket, Mounting PCB	Production Item
7012-1523-01	WA, Bracket, Timing Light	
7014-0171	Cover, Connector	ALDL Expansion Hole
7014-1108-01	Cover, Connector	DB25 Expansion Hole
7014-1120-01	Cover, Connector	Remote Expansion Hole
7014-1122-01	WA, Cover, Expansion Assy.	Production Item
7014-1166-01	WA, Cover, Power Supply	
7014-1183-01	WA, Cover, O2 Sensor & Block	
7015-0059	Timing Light, Tube, Reflector	
7020-2052-01	WA, Housing, IR	Production Item
7020-2056-01	WA, Bracket, Disk Drive	Production Item
7020-2058-01	WA, Panel, Front, Screened	Production Item
7020-2059-01	WA, Housing, Computer Module	Production Item
7020-2060-01	WA, Door, Disk Drive	Production Item
7020-2061-01	WA, Housing, Fan Filter	Production Item
7020-2100-02	WA, Cover, Lower, Painted, Pod 1	Production Item
7020-2101-02	WA, Cover, Upper, Painted, Pod 1	Production Item
7020-2103-02	WA, Cover, Lower, Painted, Pod 2	Production Item
7020-2104-02	WA, Cover, Upper, Painted, Pod 2	Production Item
7020-2108-01	WA, Cover	Production Item
7020-2109-01	WA, Base, Monitor ser A	Production Item
7020-2114-02	WA, Cover, Lower, Painted, VIP 1	Production Item
7020-2115-02	WA, Cover, Upper, Painted, VIP 1	Production Item
7020-2116-02	WA, Cover, Lower, Painted, VIP 2	Production Item
7020-2117-02	WA, Cover, Upper, Painted, VIP 2	Production Item
7024-0325	Fitting, Port Exhaust	
7024-1000-01	Swivel, Barstool	
7031-0180	PCB, Terminal Insulator	
7031-0181	PCB, Terminal Insulator	
7049-0004-01	Sensor, Oxygen	
7049-0126-01	Bench, IR 110V	
7049-0127-01	Bench, IR 220V	
7054-0021-01	Timing Light, Lens Holder	
7054-0056	Test Lead, Adapter, Mag Timing	Ford, F1
7054-0057	Test Lead, Adapter, Mag Timing	Chry, C1
7054-0060	Test Lead, Adapter, Mag Timing	Ford, F2
7054-0062	Test Lead, Adapter, Mag Timing	Chry, C2
7054-0102	Remote, Case, Upper	

CHAPTER 20 PARTS

PART NUMBER	DESCRIPTION	COMMENTS
7054-0103	Remote, Case, Lower	
7059-0406	Timing Light, Housing	
7059-0511-01	Timing Light, Handle	
7076-0562-03	WH, W22, ALDL	Production Item
7076-0753-02	WH, Fan Power	Production Item
7076-0753-03	WH, W22, Emissions Ex Fan	Production Item
7076-0790-01	WH, W47, Audio Output	Production Item
7076-0847-01	WH, W01, Floppy Drive Power	Production Item
7076-0848-01	WH, W02, Hard Drive Power	Production Item
7076-0849-01	WH, W03, CPU Power Cable	Production Item
7076-0850-01	WH, W04, Power Supply	Production Item
7076-0851-01	WH, AC Computer	Production Item
7076-0852-01	WH, W17, AC Power Supply	Production Item
7076-0884-01	WH, W24 IR Pump	Production Item
7076-0885-01	WH, W23 IR AC	Production Item
7076-0886-01	WH, W05, IR Controller, DC	Production Item
7076-0887-01	WH, W25, Bench AC	Production Item
7076-0888-01	WH, W49, Arbitrator	Production Item
7076-0889-01	WH, W55, O2/Low Flow	Production Item
7076-0890-01	WH, W48, Arbitrator/Keyboard	Production Item
7076-0903-01	WH, W46, Reset	Production Item
7076-0942-01	WH, W57, DC Interconnect	Production Item
7076-0943-01	WH, W60, Ign/Pinpts Interconnect	Production Item
7076-0944-01	WH, W59, Pri/Coil/Bat Interconnect	Production Item
7076-0945-01	WH, W56 Umbilical Input	Production Item
7076-0970-01	WH, Host Pod Internal	Production Item
7076-0978-01	WH, W08, Sunbus Power	Production Item
7076-0981-01	WH, Pod 1-2	
7076-0982-01	WH, Pod 2, Amps	Production Item
7076-0983-01	WH, Internal Timing	Production Item
7076-0983-01	WH, Internal Timing	Production Item
7076-0985-01	WH, Pod 2, Timing	Production Item
7076-0986-01	WH, W09, CD-ROM Power	Production Item
7076-0989-01	WH, W62, Mag Interconnect	Production Item
7076-0990-01	WH, W56, Umbilical Internal	Production Item
7076-0991-01	WH, W63, Interface POD	Production Item
7500-1338-03	Hardware, Stop Assembly	Safety Restrain Cable
EAE0004C00A	Drive, Hard Disk (631 Mb)	
EAK0108L01A	Kit, Monitor Swivel	Acer Monitors Only
EAP0008C00A	PCB, SIMM, 4M X 9 RAM 30 Pin	Parity Memory
EAP0012C00A	PCB, Video, SVGA	
EAP0030C00A	PCB, I/O Drive Cont.	
EAP0051C00A	PCB, SIMM, 4Mb 1M X 32 RAM 72 Pin	Non-Parity Memory
EAP0056C00A	PCB, SIMM, 8Mb 2M X 32 RAM 72 Pin	Non-Parity Memory
EAP0081C00A	PCB, Remote Control	Remote ^W / Yellow Arrow Keys
EAS0017C00A	WA, Boom Collar	Production Item
EAX0014C00A	WH, Internal Timing	Production Item