

# CHAPTER 4 PARTS

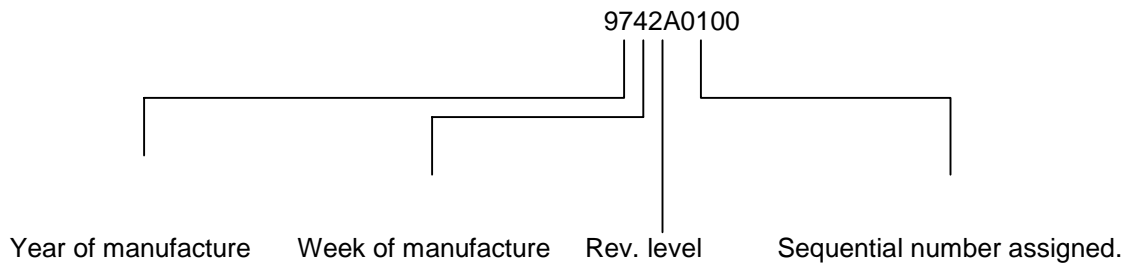
---

## PARTS BY PICTORIAL

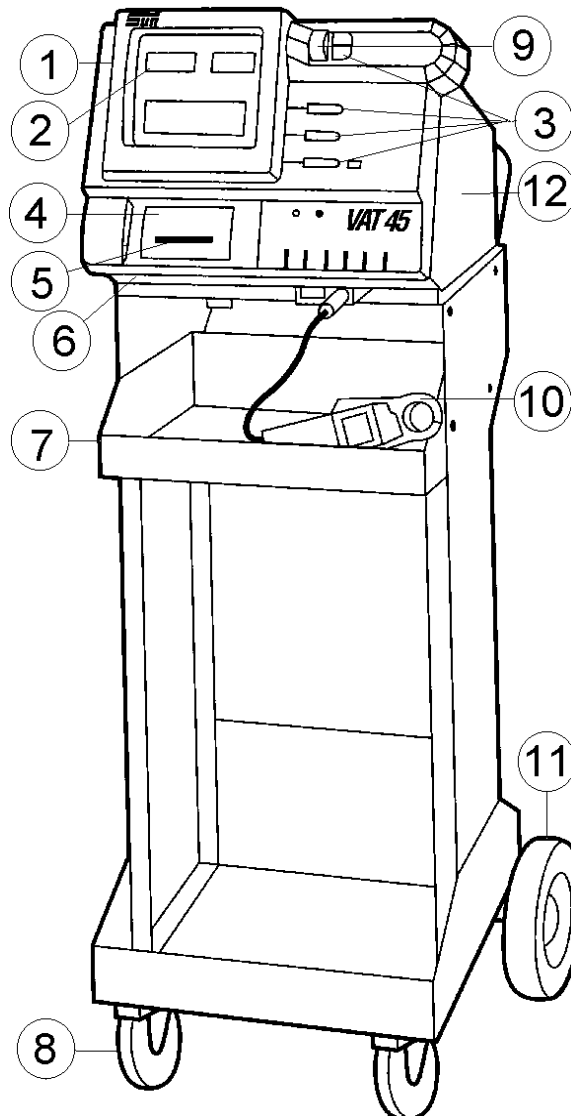
This chapter describes assemblies / subassemblies / parts considered replaceable at on-site field installation.

**NOTE: The following is a breakdown description of the Serial Number**

Serial # Location –Bottom of unit



FRONT VIEW

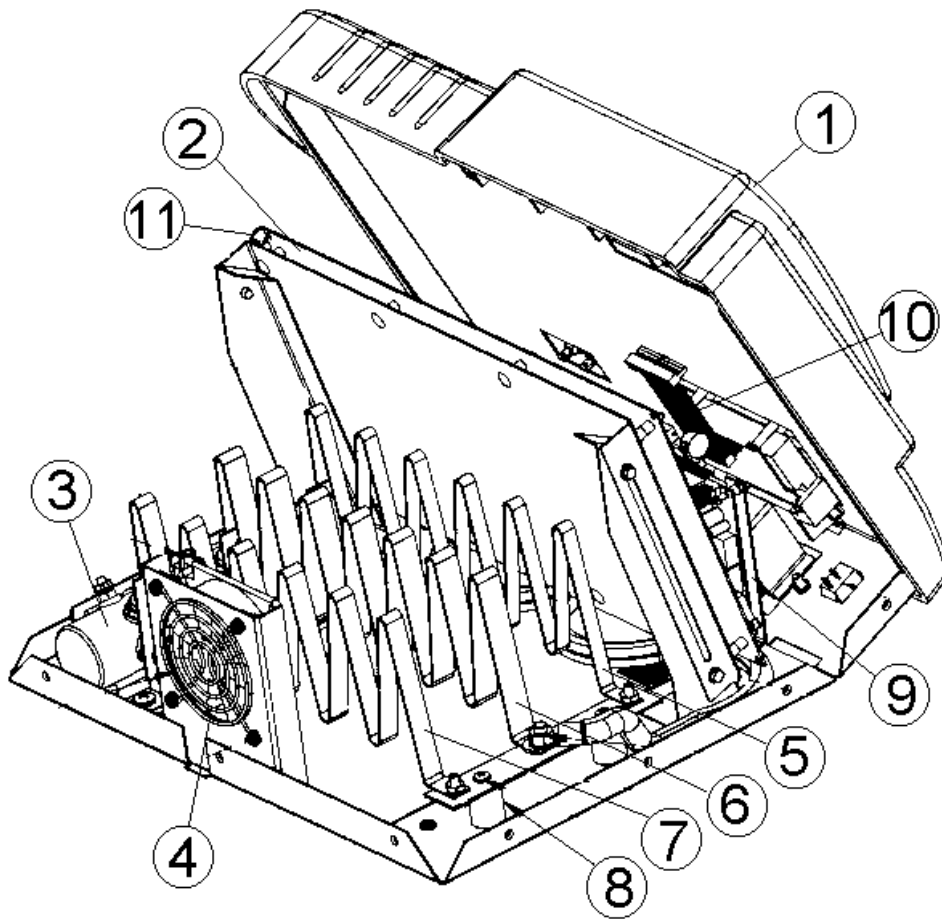


ITEM	DESCRIPTION	PART NUMBER	ITEM	DESCRIPTION	PART NUMBER
1.	Front Bezel	EAC0040L10A	9.	Switch, Rotary	213759
2.	Display lens	EAC0040L40A	9a.	Knob	88330
3.	Keypad	EAC0040L31A	10.	Current Probe	EAA0183L02A
3a.	Keypad, JBC membrane	EAA0186L10A	10a.	Low Amps Current Probe	EAA0183L20A
4.	Printer Bezel	EAC0040L20B	11.	Wheel, axle & axle caps kit	EAK0140L00A
5.	Printer	215666	12.	Cover, metal	EASD095L02A
5a.	Printer Kit	EAK0140L01A	13.	NS Spacer, Hex (Serial Port)	15661
5b.	Printer Ribbon	2156662	14.	NS Test Probe Set	24242
5c.	Printer Paper Roll	57926	14a.	NS Red clip sub-assy.	238331
6.	Switch rocker, paper feed	210158	14b.	NS Black clip sub-assy.	238332
7.	Cart Assy.	EAA0182L00AR	15.	NS Mounting Clip, fan assy.	15839
8.	Caster, front	3645-0056-02	16.	NS Load lead Assy.	EAX0026L00A
			17.	NS Bracket Cable, Rear Cart	EASC095L75A

NS = Not Shown

**NOTE: JBC does not have a front bezel.**

## REAR VIEW

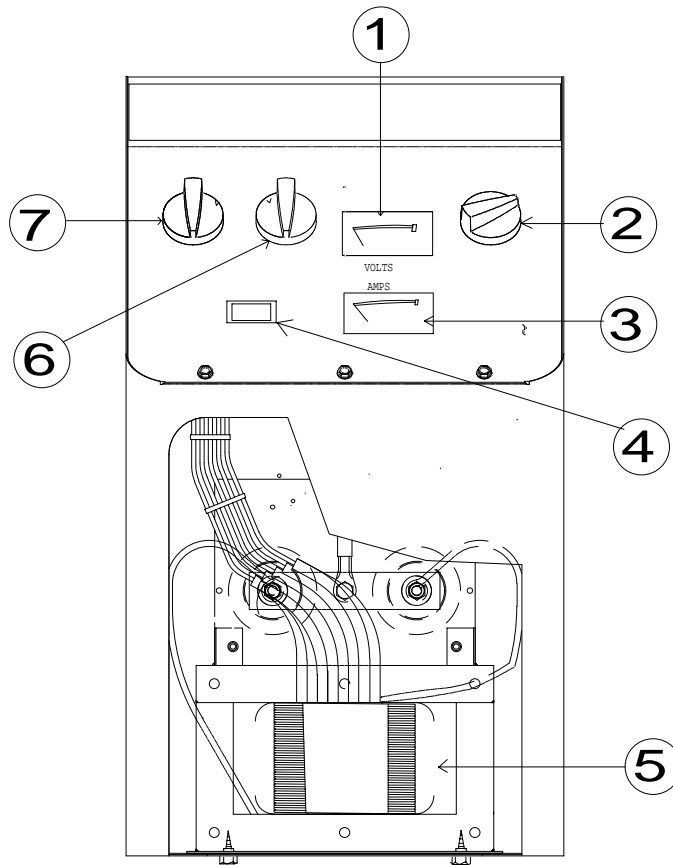


ITEM	DESCRIPTION	PART NUMBER	ITEM	DESCRIPTION	PART NUMBER
1.	Display Keyboard	EAP0139L00A	9.	Printer PCB	215666-1
1a.	Display PCB, JBC	EAP0118K00A	10.	Printer ribbon cable	61028
2.	Main PCB	EAP0128K00A	11.	PCB Standoffs	2-1232
3.	Solenoid, ( Qty-3 )	24337	12.	<b>NS</b> Amp Probe Harness	EAW0181L03A
4.	Fan, (12 volt)	21168	13.	<b>NS</b> Label, Warning	EAL0278L01A
5.	Load Element, Small	EASX095L08A	14.	<b>NS</b> Battery Posts	YA242
6.	Load Element, Medium	EASX095L09A	15.	<b>NS</b> Foot, 4 on bottom	87018
7.	Load Element, Large	EASX095L10A	16.	<b>NS</b> Thermistor Probe Assy.	215966
8.	Ceramic, standoff	16261	17.	<b>NS</b> Screws for printer (Qty.2)	1-1724

**NS = Not Shown**

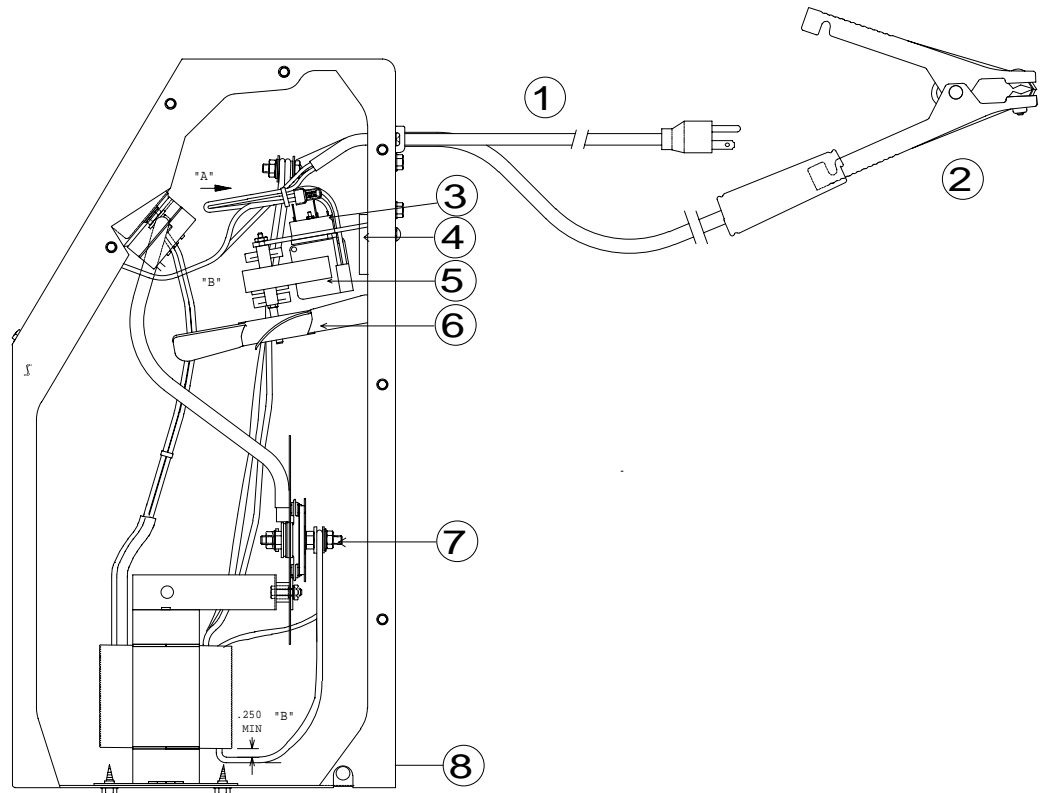
# EEBC300A FLEET CHARGER

## FRONT VIEW



ITEM	DESCRIPTION	PART NUMBER
1.	Voltmeter	4-380
2.	Timer	2-14866
2a.	Knob	8-8230
3.	Ampmeter	4-280
4.	Rocker Switch	2-9958
5.	Transformer	EAT0004K00A
6.	Switch, Rotary	2-13659
6a.	Knob	8-8230
7.	Switch, Rotary	2-13659
7a.	Knob	8-8230

## SIDE VIEW



ITEM	DESCRIPTION	PART NUMBER
1.	Power Supply Cord	6-2821
2.	Battery Clamp Lead Assy.	EAX0023K00A
3.	Thermal Cut-Off	2-10266
4.	D.C. Circuit Breaker	2-15366
5.	Motor, (Fan)	2-10166-1
6.	Fan Blade	2-1268
7.	Rectifier Assy.	BC4200-2000
8.	Warning-Label	EAL 251k20A

## PARTS IN ALPHABETICAL ORDER

DESCRIPTION	PART NUMBER	COMMENTS
Ampmeter	4-280	BC
Amp Probe Harness	EAW0181L03A	VAT45
Battery Clamp Lead Assy.	EAX0032K00A	BC
Battery Posts	YA242	VA VAT45T45
Black clip sub-assy.	238332	VAT45
Cart Assy.	EAA0182L00AR	VAT45
Caster	3645-0056-02	VAT45
Ceramic, standoff	16261	VAT45
Cover	EASD095L02A	VAT45, Metal
Current Probe	EAA0183L02A	VAT45
D.C. Circuit Breaker	2-15366	BC
Display Keyboard	EAP0139L00A	VAT45
Display Board, JBC	EAP0118K00A	VAT45, JBC - PCB
Display lens	EAC0040L40A	VAT45
Fan, (12 volt)	21168	VAT45
Fan Blade	2-1268	BC
Foot	87018	VAT45, Qty. 4 on bottom
Front Bezel	EAC0040L10A	VAT45
Keypad	EAC0040L31A	VAT45
Keypad, JBC membrane	EAA0186L10A	VAT45
Knob	88330	VAT45
Knob, on Charger	8-8230	BC
Label, Warning	EAL0278L01A	VAT45
Label, Front Bezel	EAL0251K20A	BC
Load Element, Large	EASX095L10A	VAT45
Load Element, Medium	EASX095L09A	VAT45
Load Element, Small	EASX095L08A	VAT45
Load lead Assy.	EAX0026L00A	VAT45
Main Board	EAP0128K00A	VAT45
Motor, (Fan)	2-10166-1	BC
Mounting Clip	15839	VAT45, Fan Assy.
PCB Standoffs	2-1232	VAT45
Power Supply Cord	6-2821	BC
Printer	215666	VAT45
Printer Bezel	EAC0040L20A	VAT45
Printer Board	215666-1	VAT45
Printer Paper Roll	57926	VAT45
Printer Ribbon	2156662	VAT45
Printer ribbon cable	61028	VAT45
Rectifier Assy.	BC4200-2000	BC
Red clip sub-assy.	238331	VAT45
Rocker Switch	2-9958	BC
Solenoid, ( Qty-3 )	24337	VAT45
Spacer, Hex	15661	VAT45
Switch rocker, paper feed	210158	VAT45
Switch, Rotary	213759	VAT45
Switch, Rotary	2-13659	BC
Test Probe Set	24242	VAT45
Thermal Cut-off	2-10266	BC
Thermistor Probe Assy.	215966	VAT45
Timer	2-14866	BC
Transformer	EAT0004K00A	BC
Voltmeter	4-380	BC
Warning-Label	EAL0251K20A	BC

Wheel, axle &amp; axle caps

EAK0140K00A

VAT45, Kit

**PARTS IN NUMERICAL ORDER**

<b>PART NUMBER</b>	<b>DESCRIPTION</b>	<b>COMMENTS</b>
15661	Spacer, Hex	Vat45
15839	Mounting Clip	Vat45, Fan Assy.
16261	Ceramic, standoff	Vat45
210158	Switch rocker, paper feed	Vat 45
2-10166-1	Motor, (Fan)	BC
2-10266	Thermal Cut-Off	BC
21168	Fan, (12 volt)	Vat45
2-1232	PCB Standoffs	Vat45, 8 per unit
2-1268	Fan Blade	BC
2-13659	Switch, Rotary	BC
213759	Switch, Rotary	Vat45
2-14866	Timer	BC
2-15366	D.C. Circuit Breaker	BC
215666	Printer	Vat45
215666-1	Printer Board	Vat45
2156662	Printer Ribbon	Vat45
215966	Thermistor Probe Assy.	Vat45
238331	Red clip sub-assy.	Vat45
238332	Black clip sub-assy.	Vat45
24242	Test Probe Set	Vat4 Vat455
24337	Solenoid, ( Qty-3 )	Vat45
2-9958	Rocker Switch	BC
3645-0056-02	Caster	Vat45
4-280	Ampmeter	BC
4-380	Voltmeter	BC
57926	Printer Paper Roll	Vat45
61028	Printer ribbon cable Vat45	Vat45
6-2821	Power Supply Cord	BC
87018	Foot	Vat45, Qty. 4 on bottom
8-8230	Knob	BC
88330	Knob	Vat45
BC4200-2000	Rectifier Assy.	BC
EAA0182L00AR	Cart Assy.	Vat45
EAA0183L02A	Current Probe	Vat45
EAA0186L10A	Keypad, JBC membrane	Vat45
EAC0040L10A	Front Bezel	Vat45
EAC0040L20A	Printer Bezel	Vat45
EAC0040L31A	Keypad	Vat45
EAC0040L40A	Display lens	Vat45
EAK0140L00A	Wheel, axle & axle caps	Vat45, Kit
EAL0251K10	Label, Front Bezel	BC
EAL0251K20A	Warning-Label	BC
EAL0278L01A	Label, Warning	Vat45
EAP0118K00A	Display Board, JBC	Vat45, JBC - PCB
EAP0128K00A	Main Board	Vat45
EAP0139L00A	Display Keyboard	Vat45
EASD095L02A	Cover	Vat45, Metal
EASX095L08A	Load Element, Small	Vat45
EASX095L09A	Load Element, Medium	Vat45
EASX095L10A	Load Element, Large	Vat45
EAT0004K00A	Transformer	BC
EAW0181L03A	Amp Probe Harness	Vat45

**CHAPTER 5 PARTS**

---

EAX0023K00A	Battery Clamp Lead Assy.	BC
EAX0026L00A	Load lead Assy.	Vat45
YA242	Battery Posts	Vat45