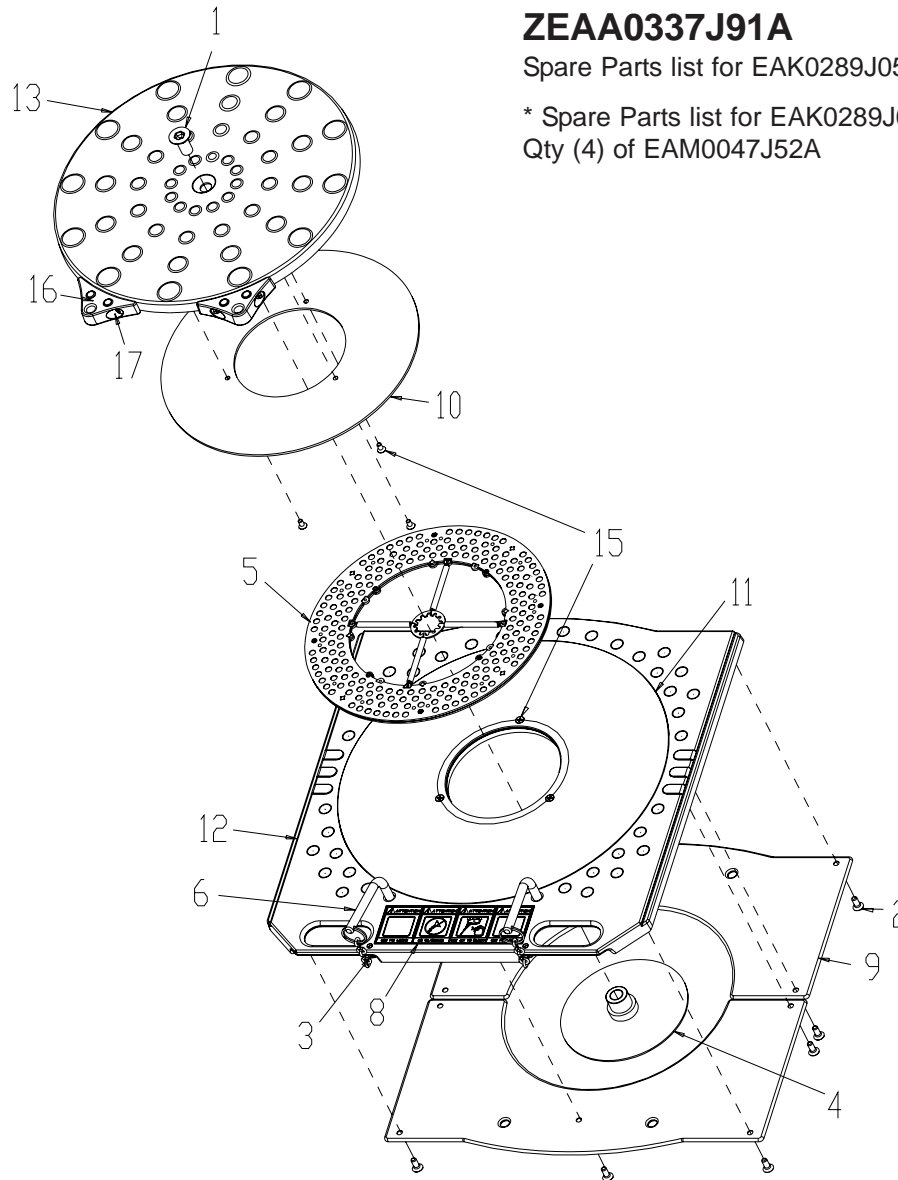


ZEAA0337J91A

Spare Parts list for EAK0289J05A

* Spare Parts list for EAK0289J07A Contains Qty (4) of EAM0047J52A



17	4	1-02107A	SCREW M6 x 20mm PAN HD
16	2	EAC0090J00A	EAR-PIN LOCK, CAST
15	6	1-26603A	SCREW-FHMS M5 x .8, 10mm
14	1	ZEAA0337J91A	SPARE PARTS LIST STD TT
13	1	EAM0047J60A	TOP, TT, MACH
12	1	EAM0047J59A	BASE - TT, MACH
11	1	EAM0054J53A	BOTTOM WEAR PLATE
10	1	EAM0047J57A	TOP WEAR PLATE
9*	2	EAM0047J52A	PAD - TT (* Requires Qty 4 on Europe version)
8	1	EAL0392J20A	LABEL - TT
6	2	EAA0333J52A	LOCK PIN ASM.
5	1	EAA0333J59A	BALL PLATE ASM.
4	1	EAA0333J49A	WELDMENT- PLATE/COLUMN
3	2	1-33906A	SCREW, M6 X 10mm , PAN HD
2	10	1-24203A	SCREW - M6 X 16mm FHMS, PHIL
1	1	1-23903A	SCREW - FHSC, M14 X 30mm
SYM	REQD	PART NO	DESCRIPTION