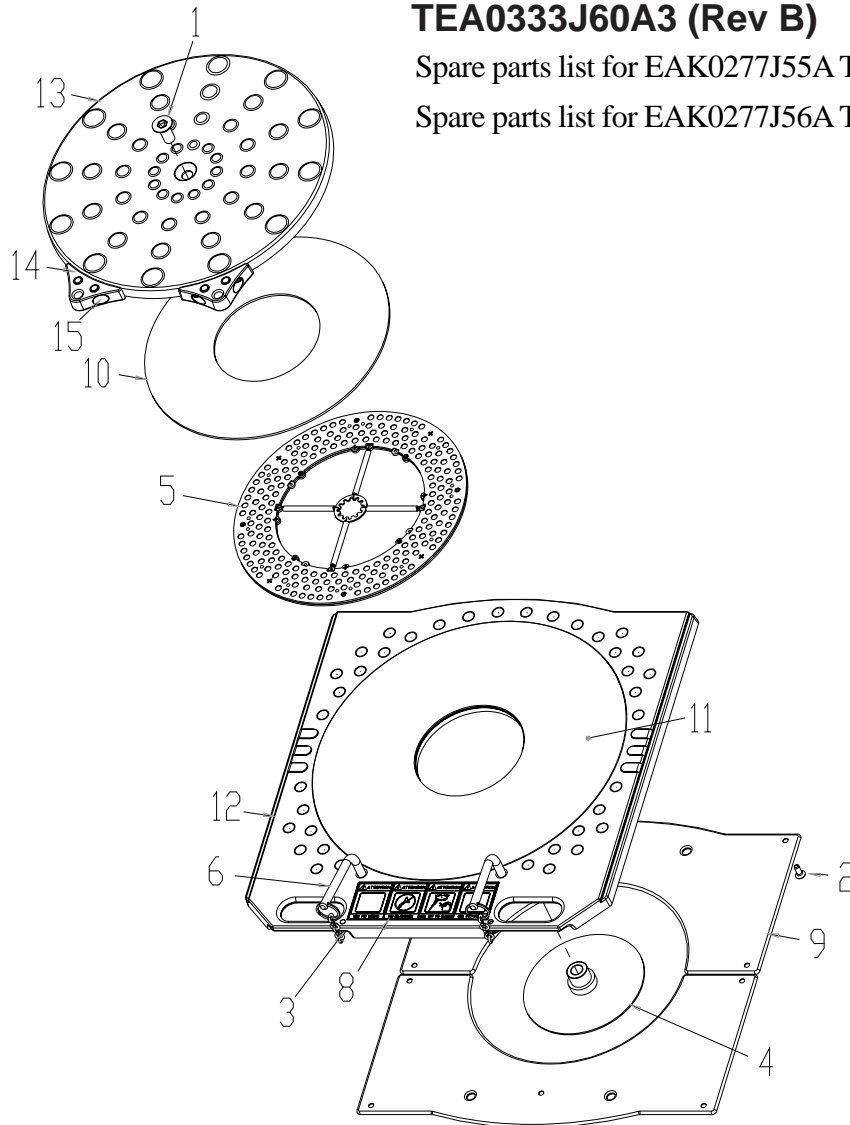


TEA0333J60A3 (Rev B)

Spare parts list for EAK0277J55A Turntable

Spare parts list for EAK0277J56A Turntable (Europe)



15	4	1-02107A	SCREW M6 X 20MM PAN HD
14	2	EAC0090J00A	EAR-PIN LOCK, CAST
13	1	EAM0047J60A	TOP, TT MACH
12	1	EAM0047J59A	BASE - TT, MACH
11	1	EAM0047J58A	WEAR - PLATE BOTTOM
10	1	EAM0047J57A	WEAR - PLATE-TOP
9*	2	EAM0047J52A	PAD-TT (* Requires Qty 4 on Europe version)
8	1	EAL0392J20A	LABEL - TT
6	2	EAA0333J52A	LOCK PIN ASM.
5	1	EAA0333J59A	BALL PLATE ASM.
4	1	EAA0333J49A	WELDMNT- PLATE/COLUMN
3	2	1-33906A	SCREW, M6 X 10mm , PAN HD
2	10	1-24203A	SCREW - M6 X 16mm FHMS, PHIL
1	1	1-23903A	SCREW - FHSC, M14 X 30mm
SYM	REQD	PART NO	DESCRIPTION