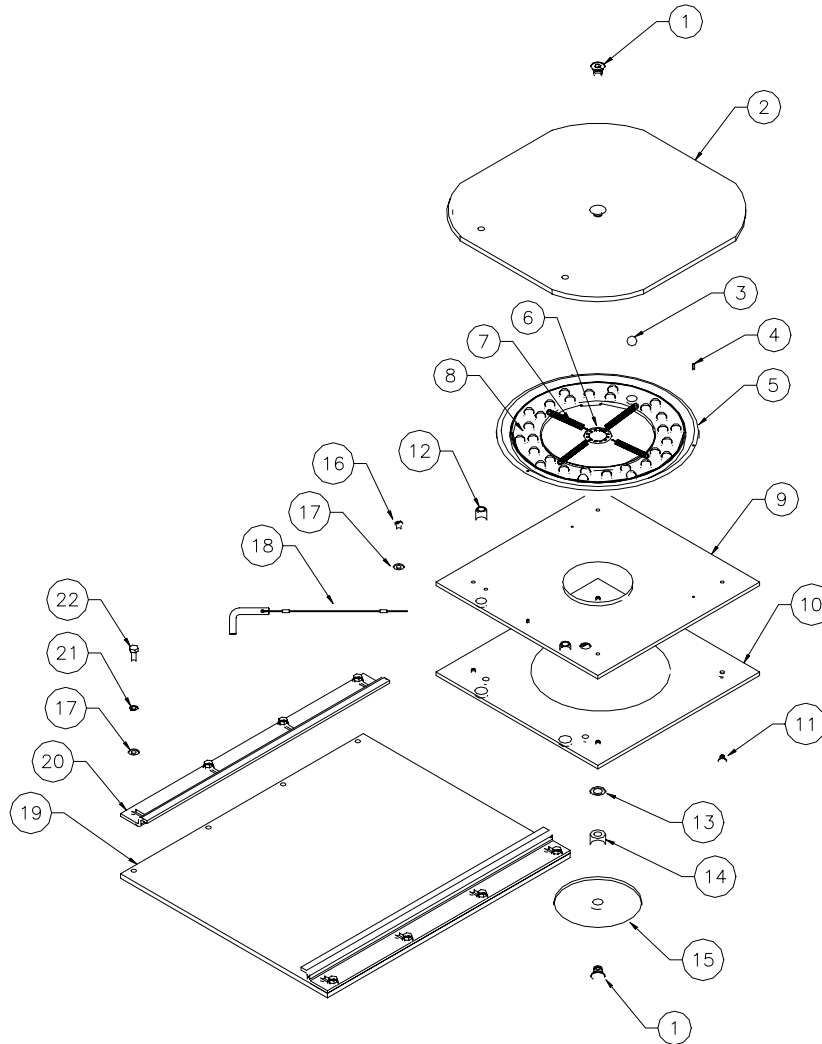


JBC054 Turnplates



Ref	Qty	Description	Part Number
1	2	Turnplate Screw Machined	JBC12481000
2	1	Turnplate Top Plate Machined	JBC21871000
3	30	Delrin Balls 9/16" Diameter	JBC60920000
4	3	Roll Pin, 1/8" X 3/8" Lg	JBC62571000
5	1	Retaining Ring	JBC12480000
6	1	Tooth Lockwasher 1" Dia	JBC62572000
7	4	Spring	JBC12482000
8	1	Bearing Cage	JBC30368000
9	1	Turnplate Upper Base Plate	JBC21869000
10	1	Turnplate Lower Base Plate	JBC21868000
11	4	SOC HD Cap Screw 1/4" X 3/8"	JBC62569000
12	2	Drill Bushing P40 - 12 - "W"	JBC62570000
13	1	Spring Disc	JBC62573000
14	1	Turnplate Pin	JBC12484000
15	1	Turnplate Washer	JBC12479000
16	2	Round HD Screw 1/4" - NC	JBC61353000
17	2	Flatwasher, 1/4"	JBC60060000
18	2	Locking Pin Assembly	JBC20637000
19	1	Build up Kit 5/16"	JBC12483000
20	2	Retainer Bars	JBC21391000
21	8	Lockwasher, 1/4"	JBC60056000
22	8	Hex HD Bolt, 1/4" NC X 1"	JBC60008000