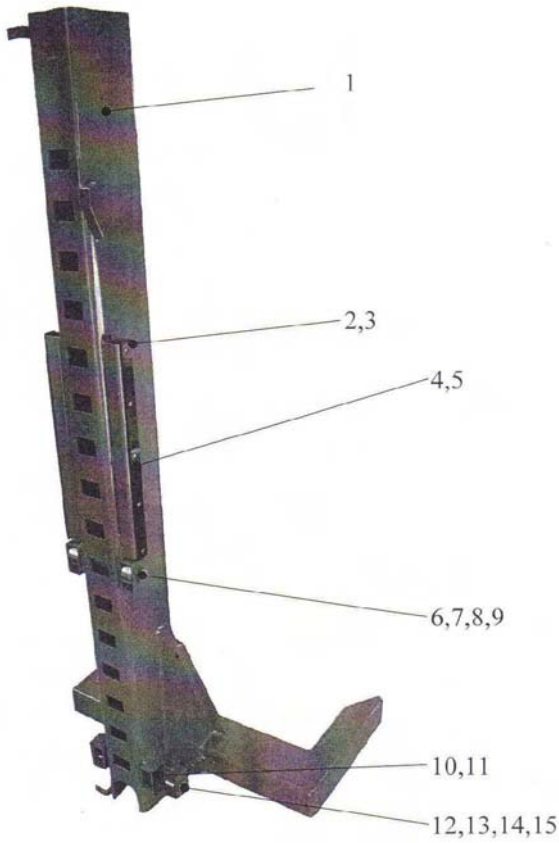


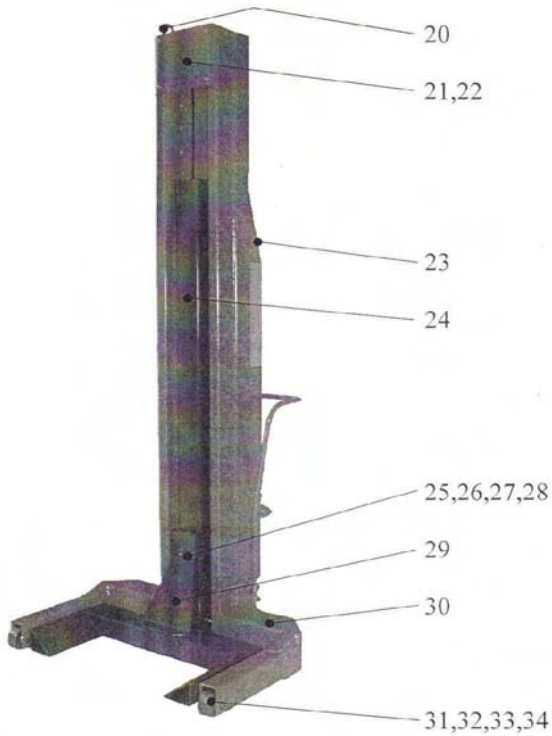
HDL- 7500 SPARE PART LIST / 2005

PART 1 / LIFTING CARRIAGE



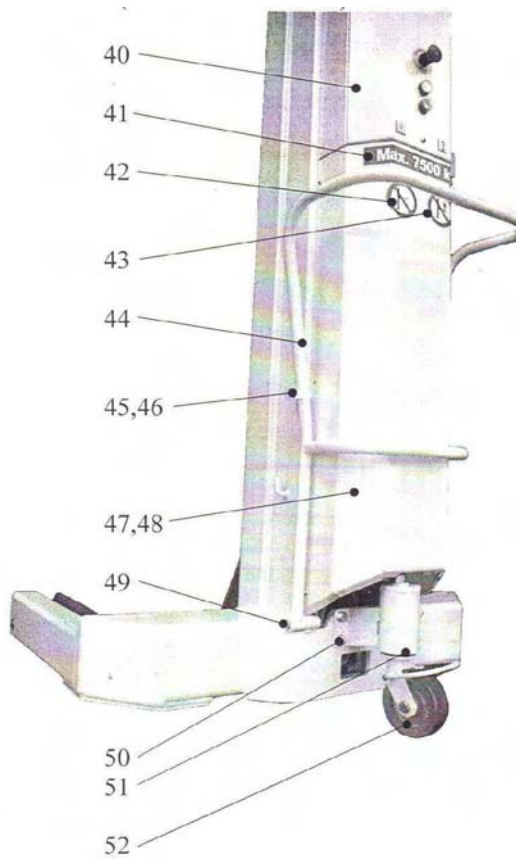
ITEM	QTY	ART.nr.	DESCRIPTION	PRICE IN EURO
1	1	WK01	Carriage	
2	2	WK02	Gliding piece (short)	
3	4	WK03	Screw, M6	
4	2	WK04	Gliding piece (long)	
5	10	WK05	Screw, M6	
6	2	WK06	Roller bearing (NATV 30 PP)	
7	2	WK07	Guide	
8	1	WK08	Axle, D30 long	
9	2	WK09	Circlip, A 30	
10	2	WK10	Gliding piece (40 x 80)	
11	4	WK11	Screw M 6 + Nut M6	
12	2	WK12	Roller bearing (NATV 30 PP)	
13	2	WK13	Guide	
14	2	WK14	Axle, D30 short	
15	4	WK15	Circlip, A 30	

PART 2 / COLUMN



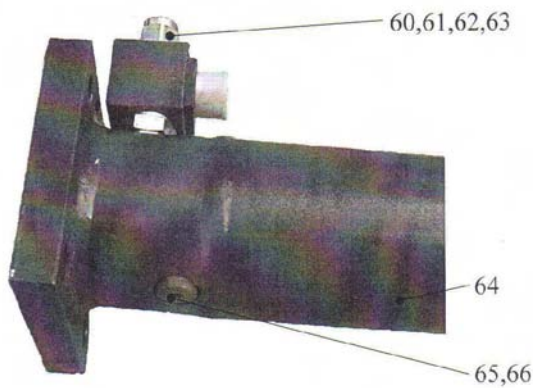
ITEM	QTY	ART.nr.	DESCRIPTION	PRICE IN EURO
20	1	WP20	Hook	
21	1	WP21	Front plate	
22	4	WP22	Screw M8 x 20 + Washer M8	
23	1	WP23	Cover for the Locking device	
24	1	WP24	Carriage without Forks	
25	1	WP25	Axle, D40	
26	1	WP26	Screw, M8	
27	1	WP27	Bushing	
28	1	WP28	Flange	
29	1	WP29	Carriage fork	
30	1	WP30	Column	
31	2	WP31	Wheel, D118	
32	4	WP32	Bushing, DU25-25	
33	2	WP33	Axle, D25-84	
34	4	WP34	Circlip, A 25	

PART 3 / COLUMN



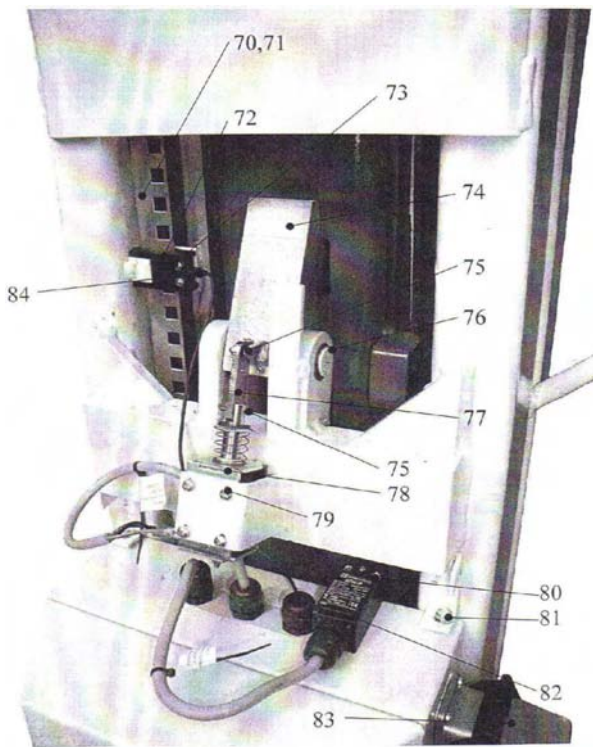
ITEM	QTY	ART.nr.	DESCRIPTION	PRICE IN EURO
40 A	1	WP40	Electric box (complete)	
40 B	3-5	WP40	Master column Electric box (complete)	
41	1	WP41	Slave column Sticker	
42	1	WP42	Sticker (to lift up persons is not allowed)	
43	1	WP43	Sticker (tilting of floor Max 1° degree)	
44	1	WP44	Handle	
45	2	WP45	Plastic clip	
46	2	WP46	Screw M 6	
47	1	WP47	Cover for the Hydraulic unit	
48	4	WP48	Screw M 6	
49	2	WP49	Screw M12 x 90 + Nut M12 + Washer M12	
50	2	WP50	Screw M12 x 20 + Washer M12	
51	1	WP51	Wheel complete + spring system	
52	1	WP52	Wheel D125	

PART 4 / CYLINDER



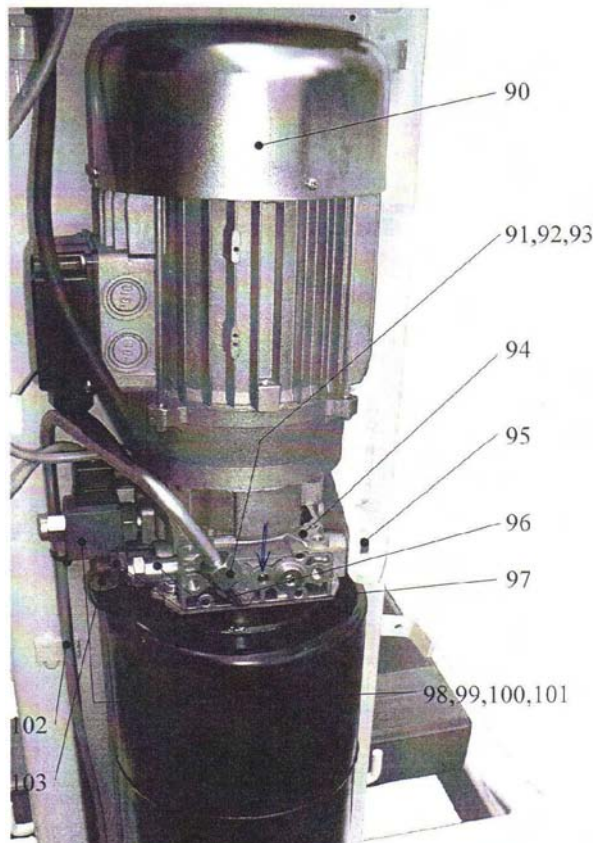
ITEM	QTY	ART.nr.	DESCRIPTION	PRICE IN EURO
60	1	WS60	Nut	
61	2	WS61	O-ring	
62	1	WS62	Coil	
63	1	WS63	Check valve, CE6	
64	1	WS64	Cylinder complete (D75/50-1700)	
65	1	WS65	Flow control valve (5,5 l/min)	
66	1	WS66	Plug	
	1	WS67	Seal kit complete	
	1	WS68	Seal	
	1	WS69	Seal (guide)	
	1	WS70	Seal	
	1	WS71	O-ring	

PART 5 / SYNCHRONISATION AND LOCKING DEVICE



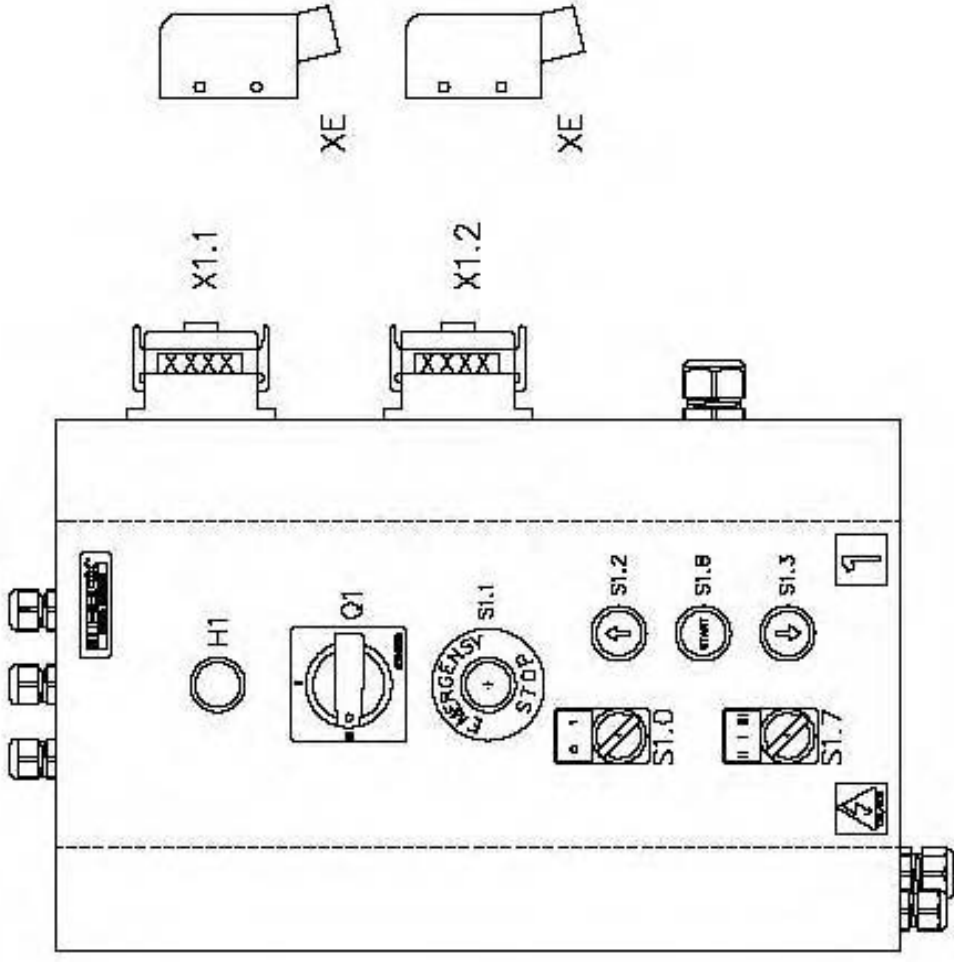
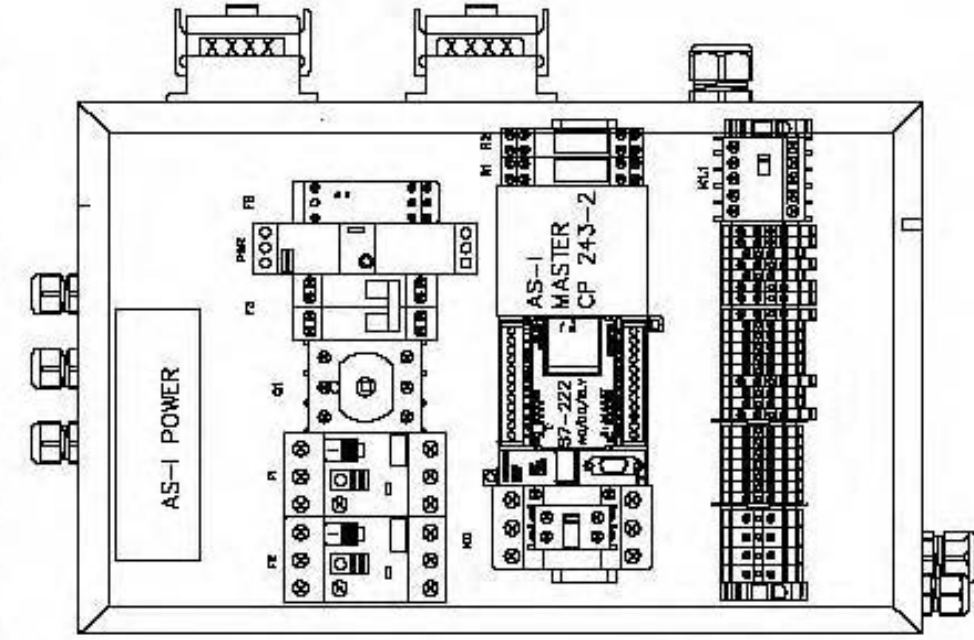
ITEM	QTY	ART.nr.	DESCRIPTION	PRICE IN EURO
70	1	WL70	Synchronisation Plate	
71	2	WL71	Screw M8 + Nut + Washer	
72	1	WL72	Guide for the Synchronisation Plate	
73	2	WL73	Screw M 3 + Nut	
74	1	WL74	Holder	
75	2	WL75	Pin, D3-20	
76	2	WL76	Circlip, A 20	
77	1	WL77	Rod	
78	1	WL78	Magnet (GMS 35.10)	
79	4	WL79	Screw M 4	
80	2	WL80	Screw M 4	
81	4	WL81	Screw M 4	
82	1	WL82	Limit switch	
83	4 - 5	WL83	Interconnecting Cable; 10,5 m Incl. Socket	
		WL83.1	Interconnecting Cable, 17,0 m Incl. Socket	
		WL83.2	Interconnecting Cable, per meter	
84	1	WL84	Photo cell	
		L89	Blind plug -socket	
		L89.5	Code pins for the Sockets	

PART 6 / HYDRAULIC UNIT



ITEM	QTY	ART.nr.	DESCRIPTION	PRICE IN EURO
90	1	WH90	Electric motor (1,8 KW /1500 r/min)	
91	1	WH91	Connecting Socket (CL 10 RK 1 / 4")	
92	1	WH92	Connecting Socket (BL 10 R 1 / 4")	
93	1	WH93	Usit seal (R 1 / 4")	
94	1	WH94	Hydraulic unit; (5,5 l/min, 210 bar)	
95	2	WH95	Screw M 10 x 30 + Washer M10	
96	1	WH96	Non return valve	
97	1	WH97	Pressure control Valve	
98	1	WH98	Nut	
99	2	WH99	O-ring	
100	1	WH100	Coil	
101	1	WH101	Solenoid valve	
102	1	WH102	Hydr. Pipe	
103	1	WH103	Oil fill plug	

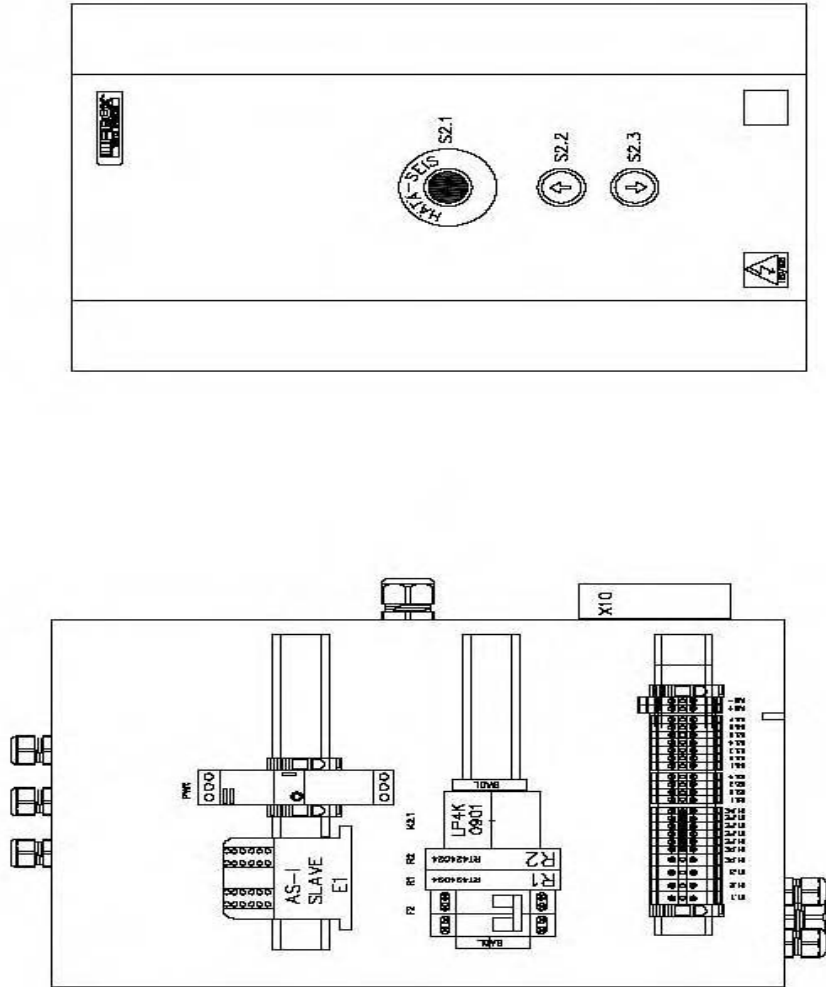
RKN HYD 1 USA 6-PILARI



**PART LIST; Electric box / Master column / Wheeltronic Canada
NORDLIFT OY**

CODE	POS.	DESCRIPTION	TYPE	MANUFACTURER	Price/EURO
	10	ELECTRIC BOX		IS-METALLI	203,10
PLC	20	CPU 222	6ES7 212-1BB21-0XB0	SIEMENS	487,50
Power supply	30	AS-I POWER	3RX9307-0AA00	SIEMENS	450,85
AS-I-Master	40	AS-I MASTER CP 243-2	6GK7243-2AX00-0XA0	SIEMENS	802,50
F1, F2	50	Motor Circuit breaker	GV2ME20	SCHNEIDER	96,70
F1, F2	60	Auxiliary contact	GV2-AE11	SCHNEIDER	8,10
F8	70	3-phase supply control relay	RM4TG20	SCHNEIDER	120,85
K0	80	Contacteur 38A, 24VDC	LC1D38BL	SCHNEIDER	166,50
K0	90	Auxiliary contact	LAD-N20	SCHNEIDER	7,50
K1.1	100	Contacteur K 9A 24VAC	LP4K0901BW3	SCHNEIDER	27,50
F7	110	Circuit breaker C60N 2D4 6KA	24519	SQUARE D	100,00
S1.1	120	Emergency push button 40mm	ZB5AS54	SCHNEIDER	23,75
S1.7	130	Drive select switch	ZB5AD3	SCHNEIDER	10,85
S1.2	140	Push button, black	ZB5AA334	SCHNEIDER	5,85
S1.3	150	Push button, white	ZB5AA335	SCHNEIDER	5,85
S1.8	160	Push button, green	ZB5AA333	SCHNEIDER	5,85
S1.2, S1.3, S1.8	170	Rubber cover	ZBP0	SCHNEIDER	1,75
S1.2, S1.3, S1.8	180	Contact element	ZB5AZ101	SCHNEIDER	7,95
S1.1	190	Contact element 1av	ZB5AZ102	SCHNEIDER	7,95
S1.7	200	Contact element 2s	ZB5AZ103	SCHNEIDER	13,20
	201		ZBE101	SCHNEIDER	6,50
S1.0 + H0	210	Contact element 24VAC green 1s	ZB5AW0B31	SCHNEIDER	25,00
S1.0 + H0	220	Turn switch, green	ZB5AK1233	SCHNEIDER	25,00
S1.1, S1.7	230	Holder for 18x27mm sign	ZBZ33	SCHNEIDER	2,65
H1	240	Holder for 8x27 mm sign	ZBZ32	SCHNEIDER	0,60
S1.5	250	Limit switch	XCKP121	SCHNEIDER	25,85
H1	280	24 V LED light, yellow	XB5AVB5	SCHNEIDER	20,45
PWR	290	Power	ABL7RP2403	SCHNEIDER	282,95
R1,R2	300	Relay	RT 424024	SCHRACK	7,85
R1,R2	310	Relay base	RT 78625	SCHRACK	7,50
R1,R2	320	Relay bail	RT 16016	SCHRACK	0,60
R1,R2	330	LED + DIODE	RPML 0024	SCHRACK	6,25
S1.0, S1.7	340	Signs	023 015 03	PUNKAHARJUNKILPI	20,85
	350	Sticker; Lightning	023 015 03	PUNKAHARJUNKILPI	4,20
S1.4	360	Photocell	EE-SX872P	OMRON	66,70
	370	Plug for the valve	18209N21	MPM	2,25
	460	Screw to change Socket code	710.600	WALTHER PROCON	1,25
X1.1, X1.2	470	Case frame	714.110	WALTHER PROCON	29,20
X1.1, X1.2	480	Female plug	710.110	WALTHER PROCON	20,70
	490	Case frame	758342 OVM	WALTHER PROCON	40,15
	500	Male plug	710.210	WALTHER PROCON	19,60
Q1	630	Main switch	KSR3 60/U	ENSTO	40,65
Q2	640	Axle	KS 23.150	ENSTO	2,50
Q3	650	Switch; Red/Yellow	KSH 48 B	ENSTO	5,40

RKN HYD 2 USA 6-PILARI



PART LIST; Electric Box / Slave column / Wheeltronic Canada NORDLIFT OY

Code	POS.	DESCRIPTION	TYPE	MANUFACTURER	Price/EURO
	10	Electric box		IS-METALLI	203,10
	20	AS-I Slave	3RK1400-0CE00-0AA3	SIEMENS	164,20
S2.1	30	Emergency Push button 40mm	ZB5AS54	TELEMECANIQUE	23,75
S2.2	40	Push button, Blac,	ZB5AA334	TELEMECANIQUE	5,85
S2.3	50	Push button, White	ZB5AA335	TELEMECANIQUE	5,85
S2.1	60	Contact block 1av	ZB5AZ102	TELEMECANIQUE	7,95
S2.3, S2.2	70	Contact block 1 sulk	ZB5AZ101	TELEMECANIQUE	7,95
S2.6	80	Limit switch	XCKP121	TELEMECANIQUE	25,85
F2	90	Cable protection	24444	SQUARE D	100,00
S1.2, S1.3	110	Rubber cover	ZBP0	SCHNEIDER	1,75
K2.1	140	Contactur 9A 24VDC 1 av ML	LP4K0901BW3	SCHNEIDER	27,50
PWR	160	Power	ABL7RP2403	SCHNEIDER	282,95
R1,R2	170	Relay	RT 424024	SCHRACK	7,85
R1,R2	180	Relay base	RT 78625	SCHRACK	7,50
R1,R2	190	Relay bail	RT 16016	SCHRACK	0,60
R1,R2	200	LED + DIODE	RPML 0024	SCHRACK	6,25
	210	Case Frame	714.110	WALTHER PROCON	29,20
	220	Female plug	710.110	WALTHER PROCON	20,70
	230	Screw for the Socket codes	710.600	WALTHER PROCON	1,25
	240	Case Frame	758142 OVM	WALTHER PROCON	25,00
	250	Male Plug	710.210	WALTHER PROCON	19,60
	300	Plug for the valve	18209N21	MPM	2,25
S1.4	320	Photocell	EE-SX872P	OMRON	66,70

Wheeltronic Spare parts / 4-column set

ITEM	QTY	NR.	DESCRIPTION	PRICE IN (€) EURO
1	1	WK01	Carriage	655,50/pce
2	2	WK02	Gliding pce (short)	6,70/pce
3	4	WK03	Screw, M6	0,65/pce
4	2	WK04	Gliding pce (long)	13,20/pce
5	10	WK05	Screw, M6	0,65/pce
6	2	WK06	Roller Bearing, NATV 30 PP	47,40/pce
7	2	WK07	Guide	1,70/pce
8	1	WK08	Axle, D30 long	7,65/pce
9	2	WK09	Circlip, A30	0,75/pce
10	2	WK10	Gliding pce 40x80	6,95/pce
11	4	WK11	Screw M6 + Nut M6	0,95/pce
12	2	WK12	Roller bearing, NATV 30 PP	47,40/pce
13	2	WK13	Guide	1,70/pce
14	2	WK14	Axle, D30 short	5,50/pce
15	4	WK15	Circlip, A30	0,75/pce

ITEM	QTY	NR.	DESCRIPTION	PRICE IN (€) EURO
20	1	WP20	Hook	5,45/pce
21	1	WP21	Front plate	17,30/pce
22	4	WP22	Screw M8x20 + Washer M8	0,60/pce
23	1	WP23	Cover for the Locking device	26,30/pce
24	1	WP24	Carriage without fork	400,60/pce
25	1	WP25	Axle D40	6,40/pce
26	1	WP26	Screw M8	0,60/pce
27	1	WP27	Bushing	5,85/pce
28	1	WP28	Flange	3,30/pce
29	1	WP29	Carriage fork	345,95/pce
30	1	WP30	Column	801,10/pce
31	2	WP31	Wheel D118	31,00/pce
32	4	WP32	Bushing DU25-25	2,95/pce
33	2	WP33	Axle D25-84	5,45/pce
34	4	WP34	Circlip A25	0,75/pce

ITEM	QTY	NR.	DESCRIPTION	PRICE IN (€) EURO
40	1	WP40	Electric box (complete) Master-column	2353,-/pce
40	3-5	WP40	Electric box (complete) Slave-column	991,-/pce
41	1	WP41	Sticker (Max 7500 kg)	5,45/pce
42	1	WP42	Sticker (personal transportation forbidden)	4,55/pce
43	1	WP43	Sticker (tilting/floor 1 degree)	4,55/pce
44	1	WP44	Handle	62,85/pce
45	2	WP45	Plastic clip (f. Handle)	2,80/pce
46	2	WP46	Screw M6	0,60/pce
47	1	WP47	Cover for the Hydr.unit	62,85/pce
48	4	WP48	Screw M6	0,60/pce
49	2	WP49	Screw M12x90 + Nut M12 + Washer M12	1,30/pce
50	2	WP50	Screw M12x20 + Washer M12	0,95/pce
51	1	WP51	Wheel compl with Spring-system	173,00/pce
52	1	WP52	Wheel D125	44,05/pce

60	1	WS60	Nut	4,20/pce
61	2	WS61	O-ring	0,60/pce
62	1	WS62	Coil	26,05/pce
63	1	WS63	Lock valve, CE 6	105,60/pce
64	1	WS64	Cylinder (complete) D75/50-1700	520,65/pce
65	1	WS65	Flow control valve 5,5 l/min	65,55/pce
66	1	WS66	Plug	3,65/pce
	1	WS67	Seal kit (compl.)	40,95/pce
	1	WS68	Seal (Piston)	19,15/pce
	1	WS69	Seal	4,55/pce
	1	WS70	Seal	6,40/pce
	1	WS71	O-ring	1,85/pce
70	1	WL70	Synchronisation-plate	20,00/pce
71	2	WL71	Screw M8 + Nuts + Washers	1,25/pce
72	1	WL72	Guide for the Synchronisation-plate	23,35/pce

73	2	WL73	Screw M3 + nut	0,75/pce
74	1	WL74	Holder	13,70/pce
75	2	WL75	Pin D3-20	0,40/pce
76	2	WL76	Circlip A20	0,75/pce
77	1	WL77	Rod	5,10/pce
78	1	WL78	Magnet GMS 35.10	88,35/pce
79	4	WL79	Screw M4	0,60/pce
80	2	WL80	Screw M4	0,60/pce
81	4	WL81	Screw M6	0,60/pce
82	1	WL82	Limit switch	66,30/pce
83	4 – 6	WL83	Cable/10,5 m incl. Socket	275,05/pce
84	1	WL84	Photo cell	142,00/pce
90	1	WH90	Electric motor 1,8 KW/1500r/min	168,95/pce
91	1	WH91	Connecting Socket CL 10 RK1/4"	14,25/pce
92	1	WH92	Connecting Socket BL 10 R1/4"	6,25/pce
93	1	WH93	Usit seal R1/4"	1,65/pce

94	1	WH94	Hydraulic unit; 5,5 l/min, 210 bar	269,50/pce
95	2	WH95	Screw M10x30 + Washer M10	1,25/pce
96	1	WH96	Non return valve	41,90/pce
97	1	WH97	Pressure control valve	65,55/pce
98	1	WH98	Nut	4,25/pce
99	2	WH99	O-ring	0,60/pce
100	1	WH100	Coil	26,05/pce
101	1	WH101	Solenoid Valve CE1	105,60/pce
102	1	WH102	Hydr.pipe	33,86/pce
103	1	WH103	Oil fill plug	9,50/pce