

CHAPTER 14

PARTS

GENERAL

The SIS (Service Inspection System) is designed for use as an Emissions Analyzer. Each State has different standards and regulations. This chapter will list all the parts that are applicable specifically to the SIS for Pennsylvania. To find out what exactly is required by other particular states, refer to the Differences in Appendix D.

It would be impracticable to list all the parts used in the Pennsylvania Emissions Analyzer, therefore we've listed are all the parts needed to repair common failures. The Parts Chapter is divided into three different sections, Parts by Pictorial, Parts by Description, Parts by Part Numbers and an Interconnection Diagram, that list all wiring harnesses and their associated part numbers.

Some of the parts listed in this chapter fall under the category of Production Parts. Production Parts are not normally made available for field orders, but in some cases, they can be obtained. Examples of Production Parts are; (sheet metal parts, wiring harnesses, etc.), these will be found throughout the parts chapter.

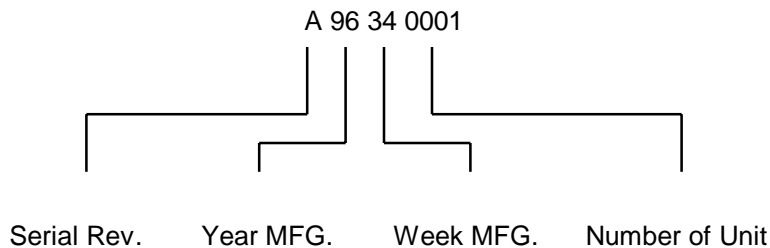
A Production Part will be noted by an "PP" following the part number (i.e. Printer Door 7020-1941-01PP. If a Production part is required, it must be ordered through normal channels, however, the order will be verified before it is built and shipped. **Production Parts will require time for delivery due to the part having to be built before it is shipped.**

If you are ordering a part you feel is, or is marked as a "Production Part" and your parts Help Desk Agent states that the part number is not valid it should be escalated through the parts department manager.

NOTE: *The following is a breakdown description of the Serial Number.*

Serial # Location - Rear of Analyzer below the Main Switch.

Example:

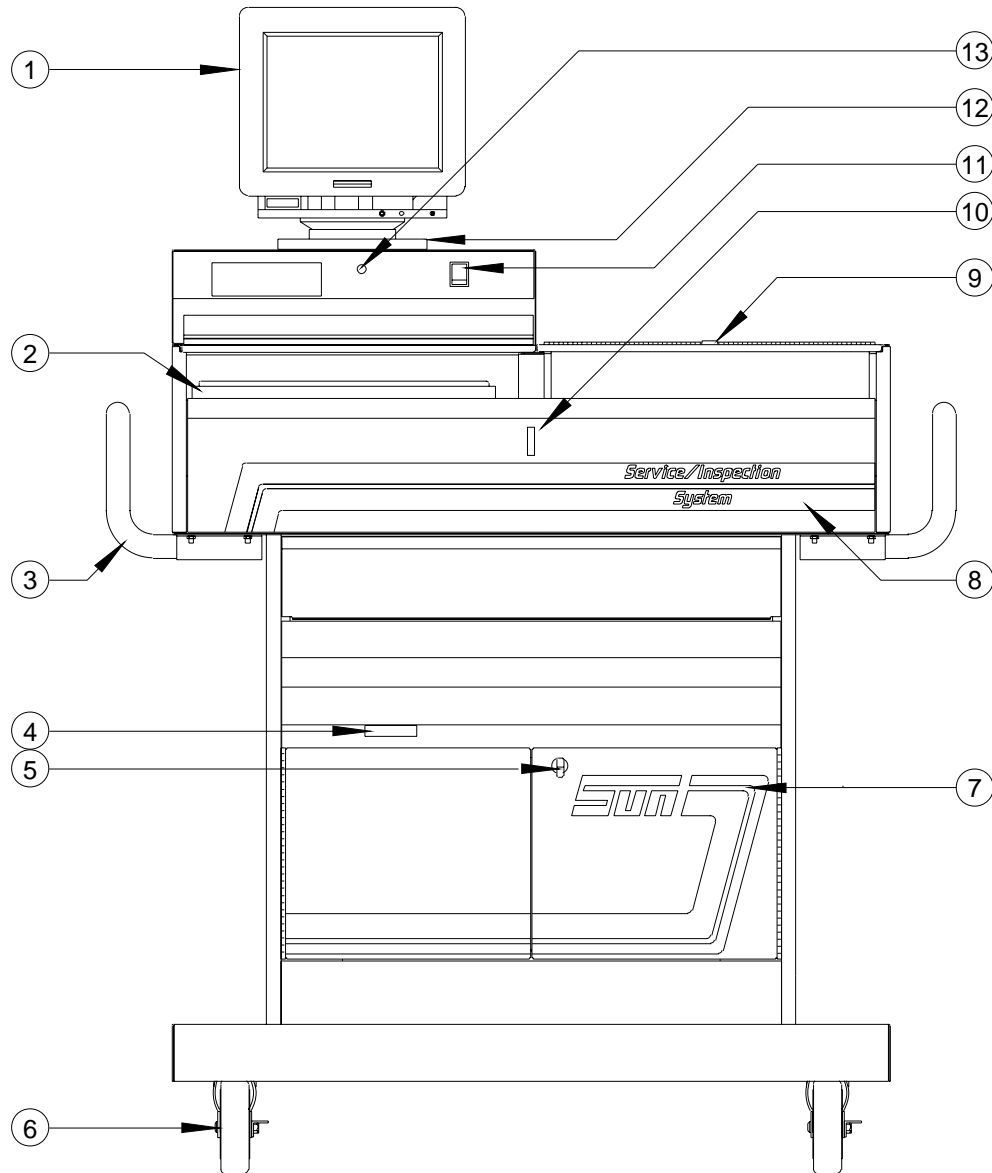


KEY:

NS: NOT SHOWN IN PICTORIAL
PP: PRODUCTION PART
WH: WIRING HARNESS
WA: WELDED ASSEMBLY
EAO: ENGINE ANALYZER OPTION ONLY
***:** PA EAST ONLY

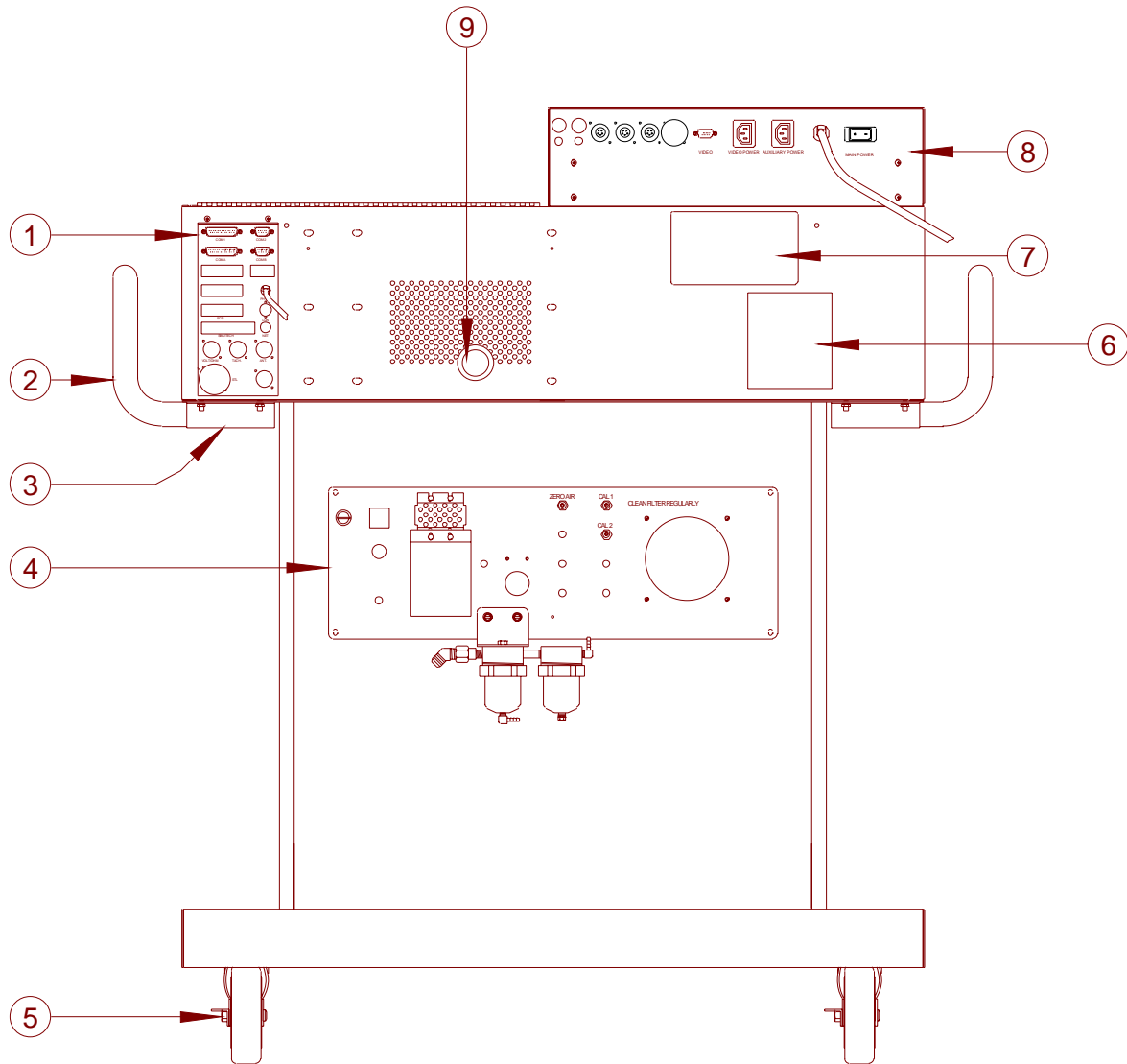
PARTS BY PICTORIAL

FRONT VIEW



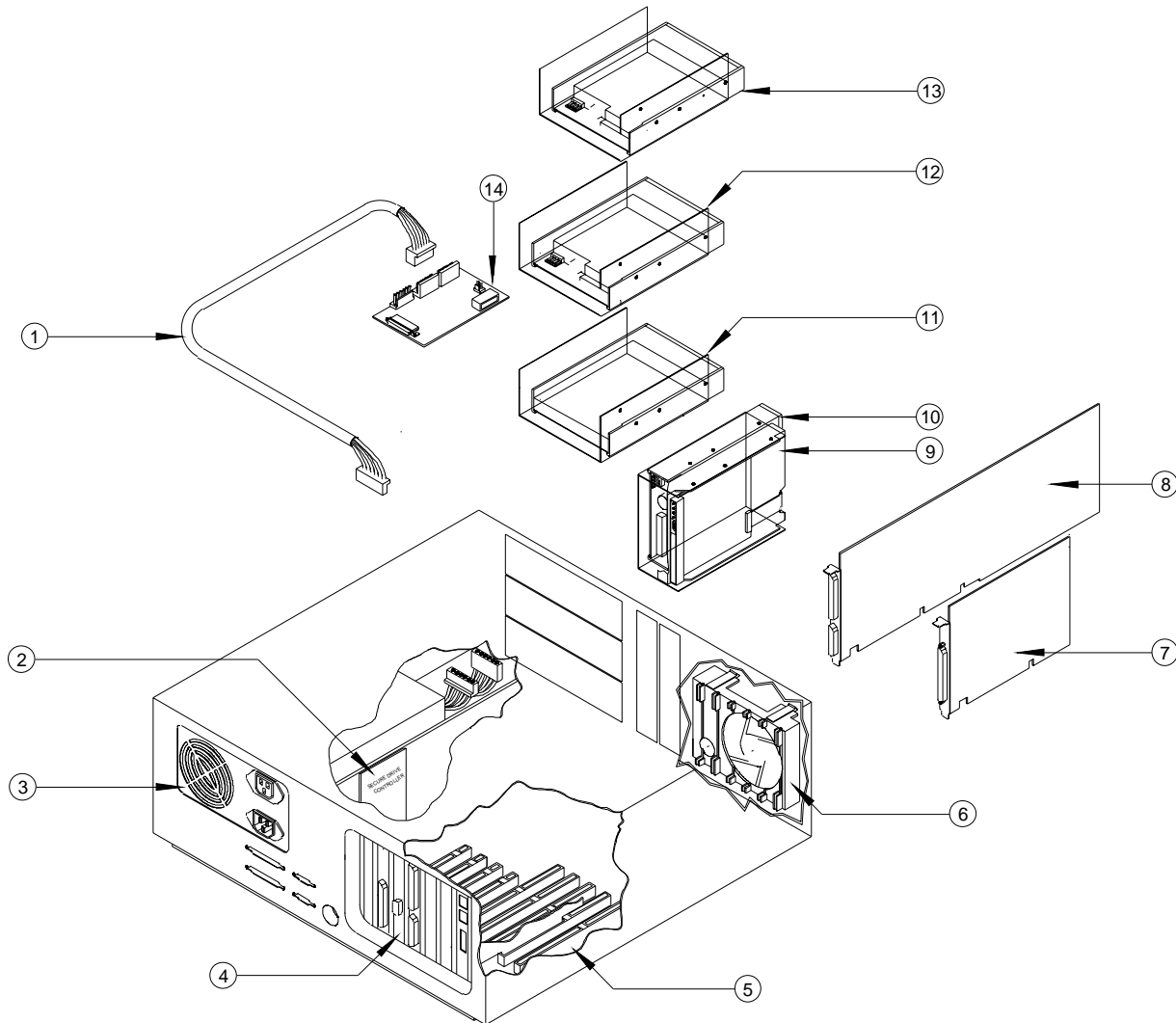
ITEM	DESCRIPTION	PART NUMBER	ITEM	DESCRIPTION	PART NUMBER
1a	Monitor, 15" Sampo	3-608	7	Label, Lower Door	EAL0133C00A
1b	Monitor, 17" Sampo	3-708	8	Label, Upper Door	EAL0134C00A
2a	Printer, L.E.D.	EAE0026L10A	9a	Lock, Computer Cover	5666-0038-01
2b	Printer, Paper	0528-1088-01	9b	Latch, Computer Cover	EASP030C88A
2c	Printer, Toner Cartridge	0528-1092-01	10	Latch, Magnetic	5666-0048-01
3a	Handle, Unit (Round)	EASC029C81A	11	Switch, Stand-By	0764-0221
3b	Handle, Unit (Rect.)	1095-0302-01	12	Kit, Sampo Monitor Base	EAK0185L00A
4	Cover, DB37	7014-1212-01	13a	Bd, Receiver Remote	EAP0036K00A
5a	Lock, Lower Door	8-20037	13b	Bd, Keyboard Interface	EAP0052K00A
5b	Lock, Cam	8-210371	NS	Keyboard, 101 Key	0552-0117-01
5c	Lock, Spring Clip	8-3237A6	NS	Keyboard, Cover	0552-1086-01
6	Caster w/Brake, Swivel	8-17039	NS	Keyboard, Label	EAL0234C00A

BACK VIEW



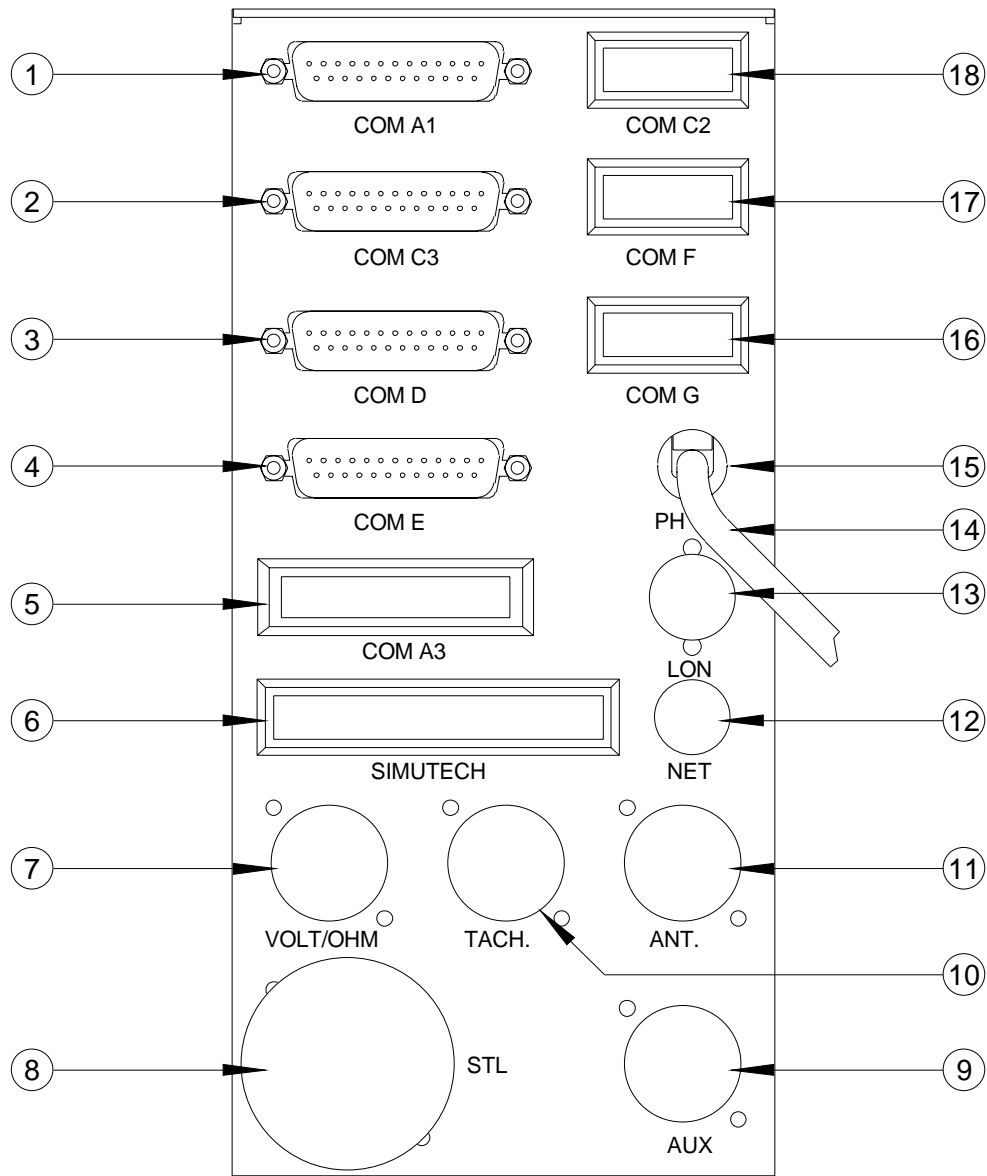
ITEM	DESCRIPTION	PART NUMBER	ITEM	DESCRIPTION	PART NUMBER
1	Connector Plate Assy.	See Page 14-6	5	Caster w/Brake, Swivel	8-17039
2a	Handle, Unit (Round)	EASC029C81A	6	Label, Filter Maint.	See Page 14-11
2b	Handle, Unit (Rect.)	1095-0302-01	7	Label, Warn./Caut.	0682-1001-01
3	Bracket, Round Handle	EASC029C82A	8	AC Rear Panel Assy.	See Page 14-7
4	IR Drawer Assembly	See Page 14-8	9	Bushing, Strain Relief	1374-0101

COMPUTER DRAWER



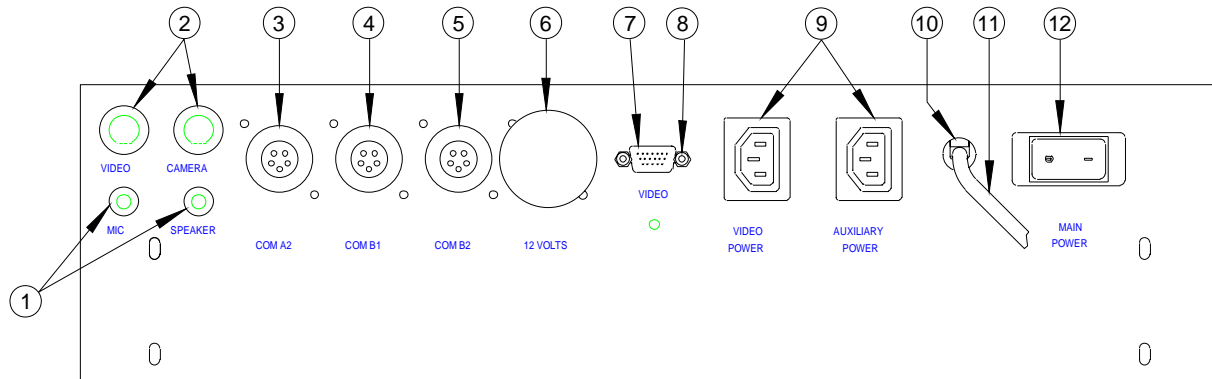
ITEM	DESCRIPTION	PART NUMBER	ITEM	DESCRIPTION	PART NUMBER
1	WH, Internal Power	7076-1011-01	8	Bd, System Interface	EAP0132C00B
2a	Board, Secure Drive	EAP0122C00A	9a	Drive, IDE Hard 2.1Gig	EAE0024L00A
2b	Bracket, Secure Board	EAA0161C00A	9b	WH, Hard Drive Data	EAW0140C00A
3a	Supply, Power	0532-0031-01	10	Drive, 1.44M Disk	EAE0012C00A
3b	Cable, AC Power	6001-0199-02	11	Drive, 5 Disk CD-ROM	EAE0022L10A
4	Board, Video	EAE0009L11A	12	Drive, 1.44M Disk	EAE0012C00A
5a	Board, CPU	EAP0068C00A	13a	Drive, IDE Hard 1.6 Gig	EAE0011C01A
5b	Memory, 8 Meg. SIMM	EAP0056C00A	13b	WH, Hard Drive Data	EAW0140C00A
6	Fan, CPU	EAA0071C43A	14	Board, Pwr. Distribution	7001-2300-01
7a	Board, Clock/Security	EAP0058C00D	NS	WH, Floppy Drive Data	EAW0162C00AS
7b	WH, Clock/Security Int.	EAW0157C00A	NS	DOS Software Ver. 6.22	0552-0104-01
			NS	Windows 3.11	0552-0125-01

DATA CONNECTOR PLATE



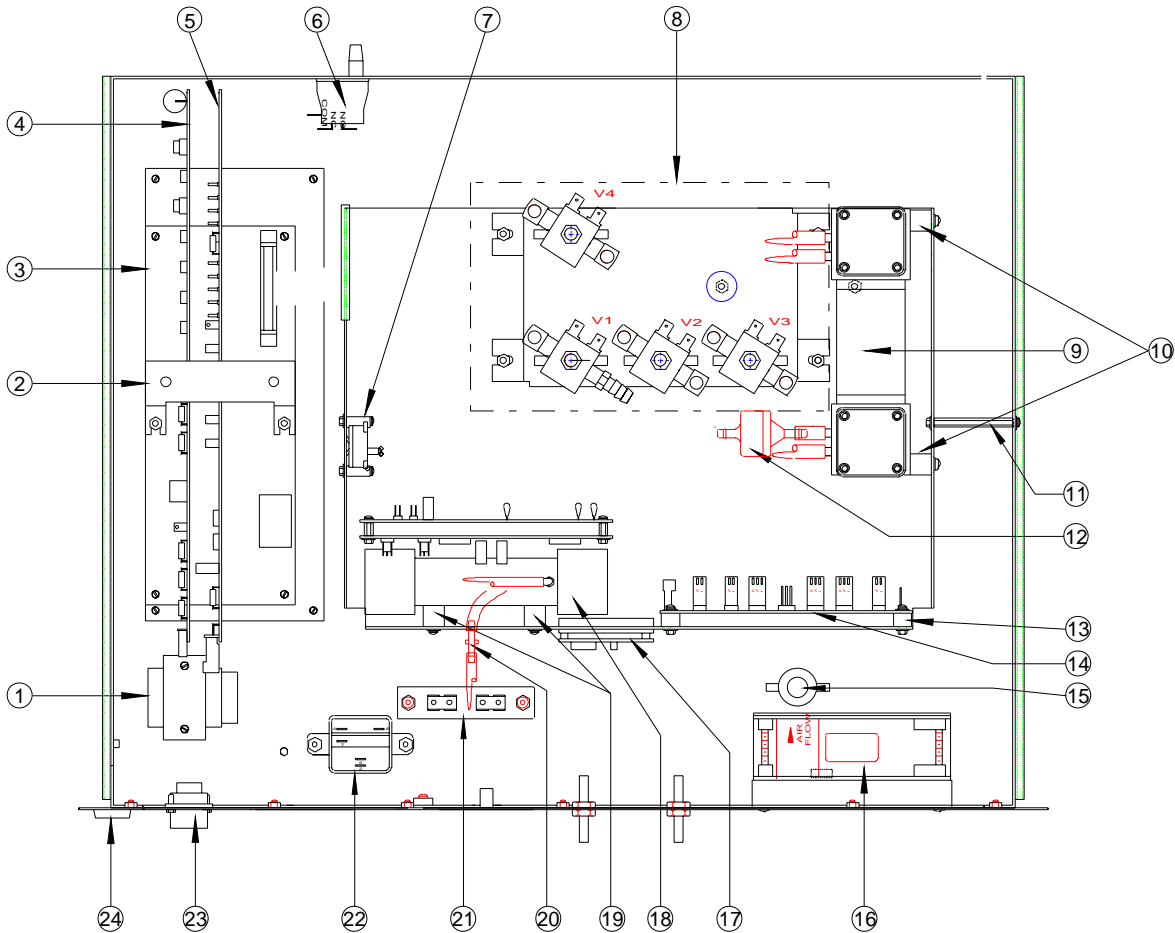
ITEM	DESCRIPTION	PART NUMBER	ITEM	DESCRIPTION	PART NUMBER
1a	Cable, Bar Code Int.	EAW0132C00A	10	WH, Tach Input	EAW0161C00B
1b	Hardware	4162-0602	11	Plug, 27/32" Dia.	1374-0119-01
2	Cable, Balco Scanner	EAW0188L00A	12	Plug, Double-D	1-2376
3	Cable, Serial,Mux/Dyno	EAW0128C00B	13	Plug, 9/16" Dia.	1-1776
4	Cable, Serial,Mux/Dyno	EAW0128C00B	14	Cable, Modem	6004-0606-01
5	Cover, DB15	4162-7119-01	15	Bushing, Modem	2035-0009+
6	Cover, DB37	7014-1212-01	16	Cover, DB9	7014-1109-01
7	WH, Volt/Ohm	EAW0158C00B	17	Cover, DB9	7014-1109-01
8	Plug, 1.25: Dia.	1374-0124-01	18	Cover, DB9	7014-1109-01
9	Plug, 27/32" Dia.	1374-0119-01			

AC REAR PANEL PLATE



ITEM	DESCRIPTION	PART NUMBER	ITEM	DESCRIPTION	PART NUMBER
1	Plug, Button	1374-0108	7	Cable, Internal Video	EAW0225L00A
2	Plug, Button	1374-0104	8	Hardware	4162-0602
3	WH, Gas Cap/Reserve	EAW0141C00B	9	Outlet, 3 Pin Female	4162-0484
4	WH, Gas Cap/Reserve	EAW0141C00B	10	Bushing, Strain Relief	2035-0008
5	WH, Gas Cap/Reserve	EAW0141C00B	11	Cable, Main AC Power	6001-0177-03
6	Plug, Hole	1374-0118-01	12	Switch/Circuit Breaker	1922-0116-23

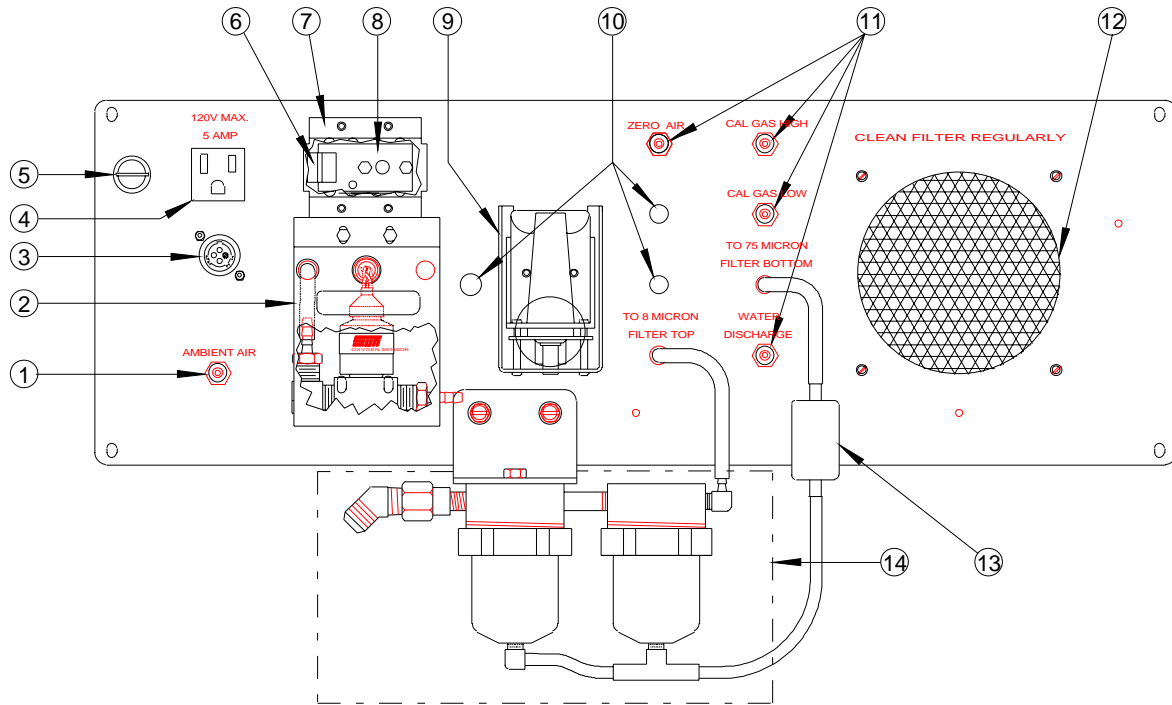
IR DRAWER AERIAL VIEW



ITEM	DESCRIPTION	PART NUMBER	ITEM	DESCRIPTION	PART NUMBER
1	Transformer	0778-0481-05	13	Mounts, Rubber Shock	0561-0150-01
2	Bracket, Sun Bus	EASC066C95A	14	Bd, Solenoid Driver	EAP0090C00B
3	Board, Backplane	EAP0083C00A	15	Thermostat	2-1668
4	Board, Volt/Ohm	7001-2064-01	16	Fan	0587-0504
5	Board, RPM	EAP0127C00A	17*	Board, NO Interface	EAP0148L00A
6	Switch, Security	0799-0237-01	18	Bench, IR Micro	7049-0131-01
7	Switch, Pressure	0549-0039-01	19	Mounts, Rubber Shock	0561-0150-01
8	Solenoid Assemblies	See Page 14-10	20	Reducer	0647-0309-01
9	Pump, Vacuum	EAA0123C00A	21a	Terminal, Insulator Bd.	7031-0181
10	Mounts, Rubber Shock	0561-0150-01	21b	Board, AC Terminal	7008-0054
11	Spacer	0429-0038-03	22*	Relay	0783-0377-01
12	Check Valve	4015-0031-01	23	Cable, RPM Antenna	EAW0164C00B
			24	Lock, IR Drawer	5666-0035-01

* Items with an asterisk next to them are applicable to the Pennsylvania East Analyzer Only!

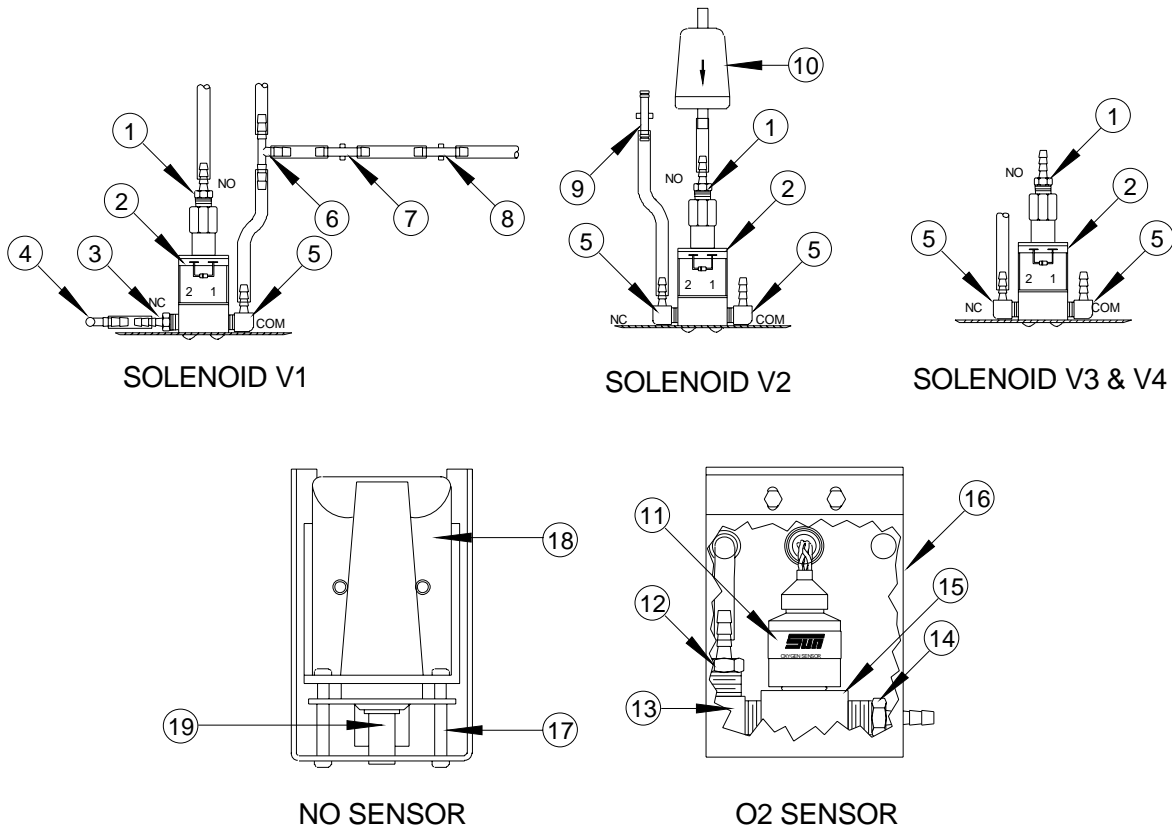
IR DRAWER FRONT VIEW



ITEM	DESCRIPTION	PART NUMBER	ITEM	DESCRIPTION	PART NUMBER
1	Nipple	2209	8*	Bd, Temp/Humidity	EAP0084C00B
2	Oxygen Assembly	See Page 14-10	9*	NO Assembly	See Page 14-10
3	Cable, RPM Antenna	EAW0164C00B	10	Plug, Button	1374-0107
4	WH, Fan Outlet	EAW0120C00A	11	Nipple	2209
5	Lock, IR Drawer	5666-0035-01	12	Filter, Air	0301-0126
6a*	WH, Temp/Humidity	EAW0121C00A	13	Filter, In-line	1-4281
6b*	Grommet	0501-0017	14	Filter Assembly	See Page 14-11
7	Cover	EASC092L00B			

* Items with an asterisk next to them are applicable to the Pennsylvania East Analyzer Only!

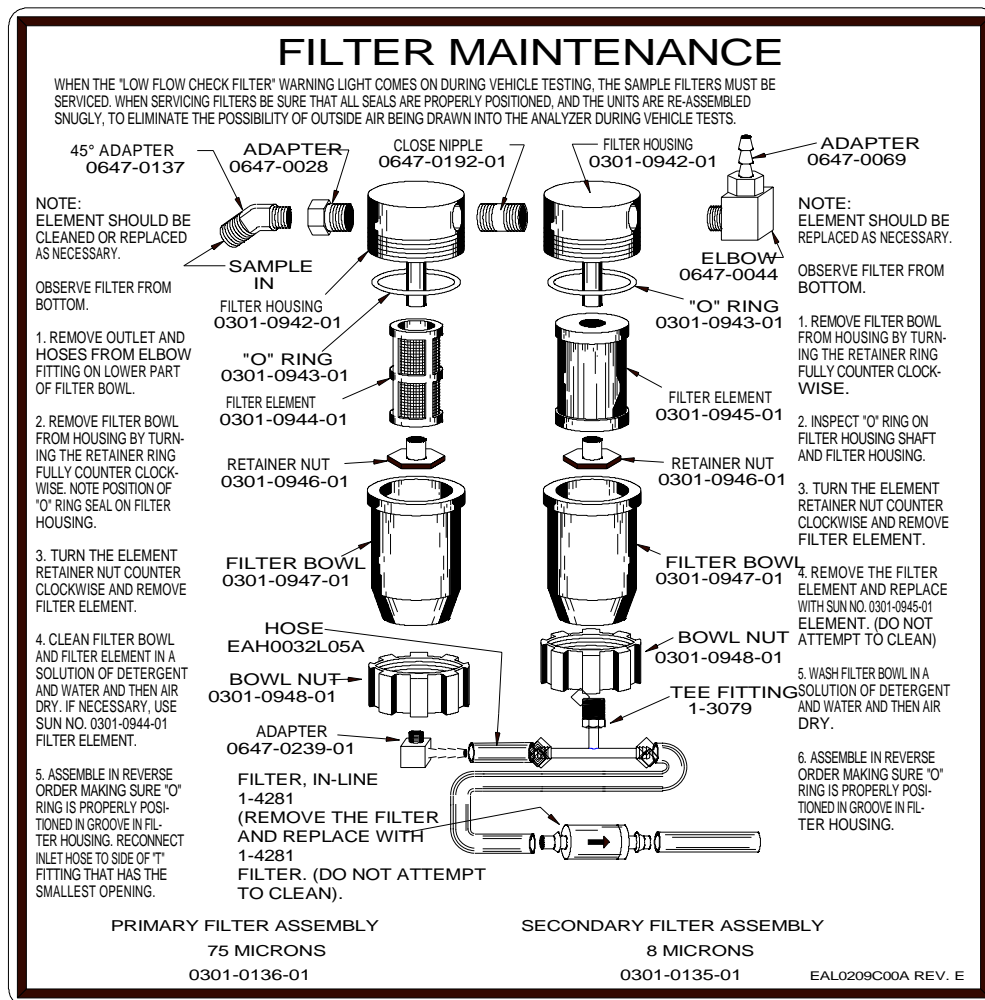
SOLENOIDS /O₂/ NO ASSEMBLIES



ITEM	DESCRIPTION	PART NUMBER	ITEM	DESCRIPTION	PART NUMBER
1	Fitting, 1/8 NPT	0647-0069	10	Filter, In-line	0301-0152-01
2a	Solenoid, 3-Way	0304-0059-01	11	Sensor, O ₂	7049-0004-01
2b	Diode Assembly	7009-1486-03	12	Fitting	0647-0083
3	Fitting, 1/8 NPT	0647-0069	13	Elbow, O ₂ Block	0647-0073
4	Tee, 3/32	0647-0102	14	Fitting, O ₂ Block	0647-0146
5	Fitting, Elbow	0647-0239-01	15	Block, O ₂	7002-0261-01
6	Tee, 3/32	0647-0102	16	Cover, O ₂	7014-1183-01
7	Reducer	0647-0309-01	17*	Standoff	0429-0021
8	Restrictor	3841-0111-02	18*	NO Sensor	0514-0036-02
9	Restrictor	3841-0111-05	19*	NO Sensor Manifold	EAA0039C01A

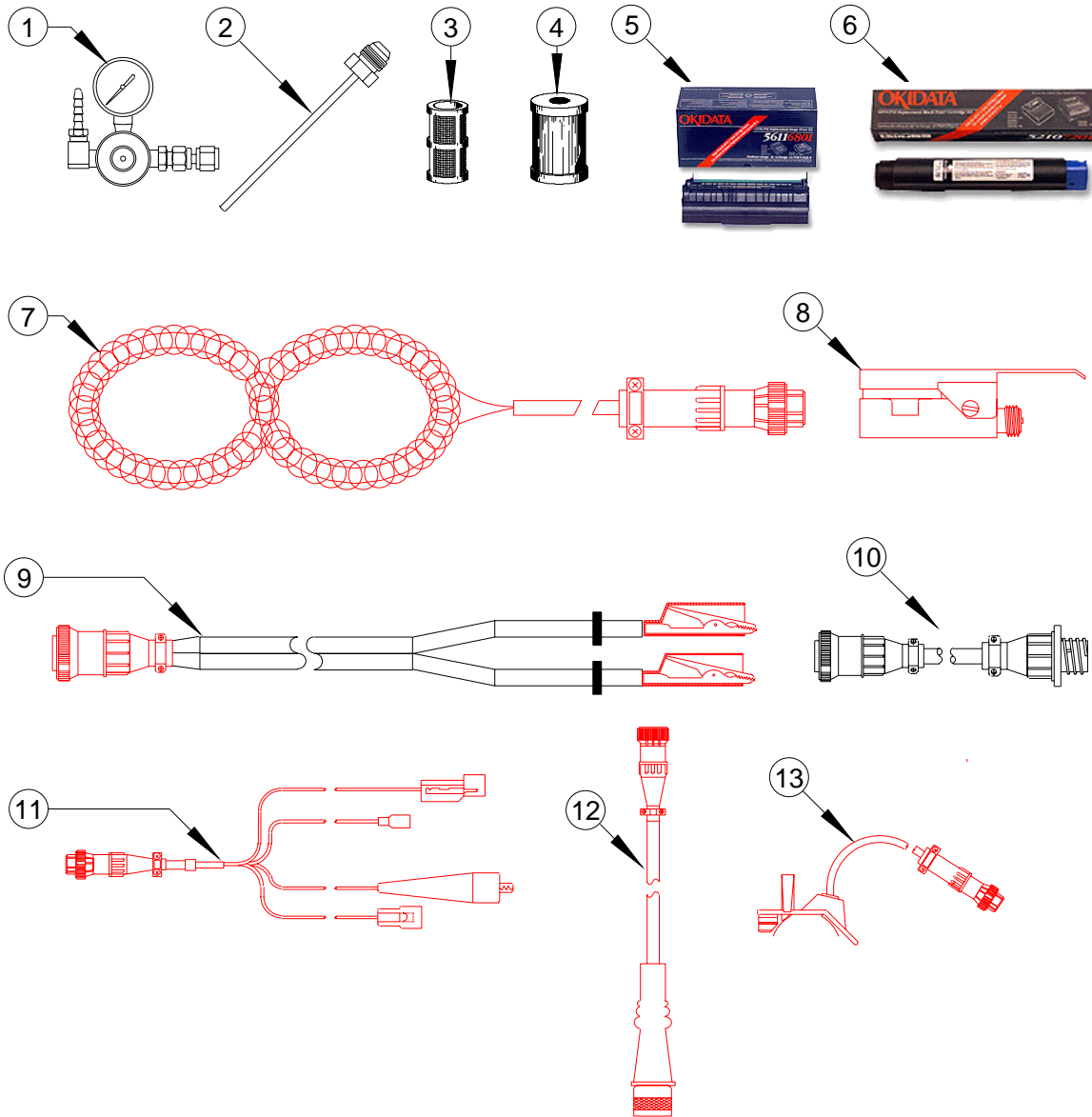
* Items with an asterisk next to them are applicable to the Pennsylvania East Analyzer Only!

FILTER ASSEMBLY



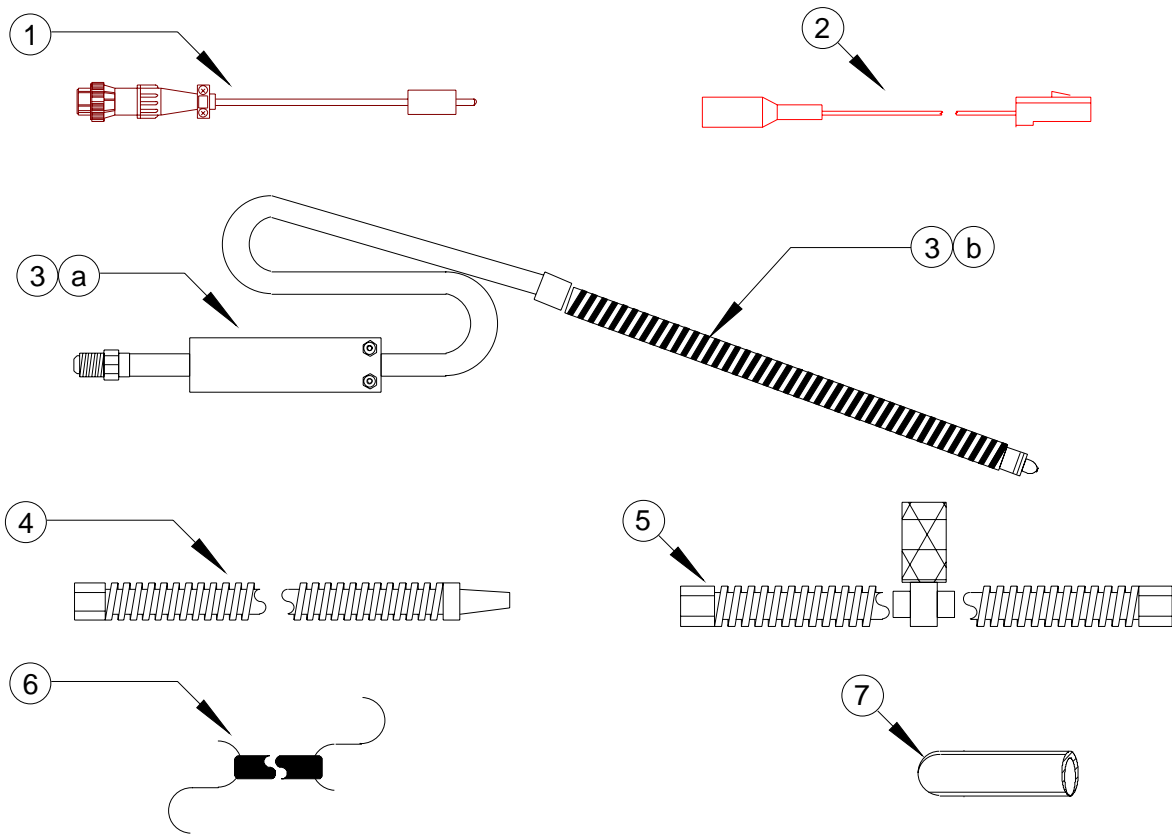
THIS PAGE INTENTIONALLY LEFT BLANK

ACCESSORIES



ITEM	DESCRIPTION	PART NUMBER	ITEM	DESCRIPTION	PART NUMBER
1	Regulator, Flow	0131-0031-01	8	Pickup, Trigger	7009-1929
2	Probe, Anti-Dilution	0507-0025-01	9	Lead, Volt/Ohm	6004-0462
3	Filter, 75 Micron	0301-0944-01	10	Lead, Blue Tach	6004-0566-01
4	Filter, 8 Micron	0301-0945-01	11	Adapter, Nissan\Quad-4	6005-0181-01
5	Printer, Image Drum	0528-1091-01	12	Lead, Red Tach	6004-0262-05
6	Printer, Toner Cartridge	0528-1092-01	13	Adapter, HEI	1747-0106
7a	Pickup, Antenna	7009-2037-01			
7b	Lead, Antenna	6004-0614-01			

ACCESSORIES CONT...



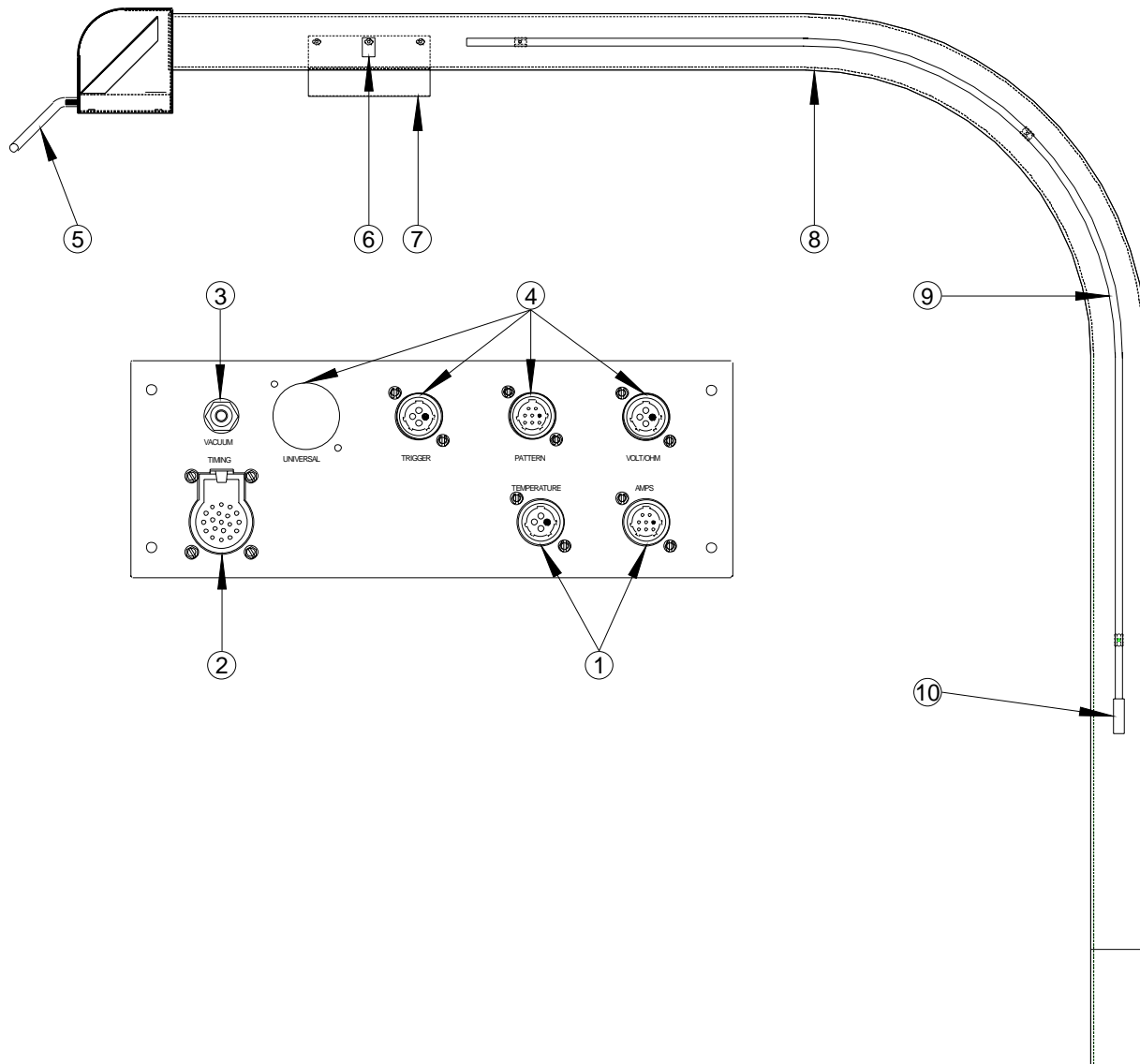
ITEM	DESCRIPTION	PART NUMBER	ITEM	DESCRIPTION	PART NUMBER
1a	Adapter, BMW	6005-0184-01	NS	Velcro, Hook	0424-0804-02
1b	Adapter, Acura	6005-0184-02	NS	Printer, Paper	0528-1088-01
2	Adapter, 300ZX	7009-2223-01	NS	Disk, 1.44M Floppy	0552-0072-01
3a	Probe, Exhaust Assy.	7009-1869	NS	Software, DOS 6.22	0552-0104-01
3b	Probe, Exhaust Tip	7015-0081	NS	Software, Windows 3.11	0552-0125-01
4	Hose, Dual Exhaust	3988-0231-01	NS	Banner	0692-2453-01
5	Hose, Single Exhaust	3988-0230-01	NS	Hanger	2161-0023
5a	Adapter, Quick Release	0647-0194-01	NS	Manual, General User's	0692-2442-01
6	Strap, Rubber	0144-0010-01	NS*	Manual, General User's	0692-2462-01
7	Cap, Leak Check	0787-0035	NS	Manual, Penn User's	ZEEEE111A
			NS	Manual, Users	ZEEEE115A
NS	Hose, Low Cal 1	EAA0136C01A	NS	Manual, Supplemental	ZEEEE115A1
NS	Hose, High Cal 2	EAA0136C02A	NS	Manual, JBC Operator's	ZEEEE515A
NS	Hose, High Zero Gas	EAA0136C03A	NS*	Gas, Quad Calibration	0271-0099-01
NS	Restrictor, Hose	3841-0111-02	NS	Gas, Tri Calibration	0271-0106-01
NS	Hose, 1/4" Poly	0669-0220	NS	Gas, Zero Air	1-685
NS	Hose, 3/16" Poly	0669-0229			
NS	Velcro, Loop	0424-0804-01			

* Items with an asterisk next to them are applicable to the Pennsylvania East Analyzer Only!

FUEL CAP TESTER

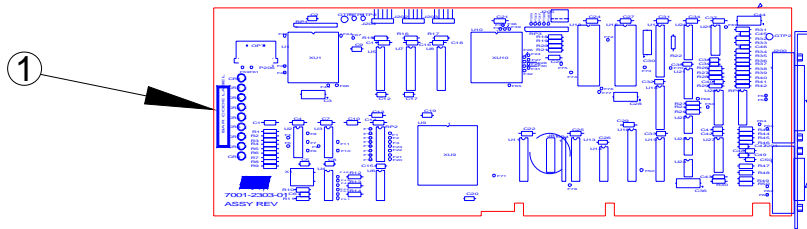
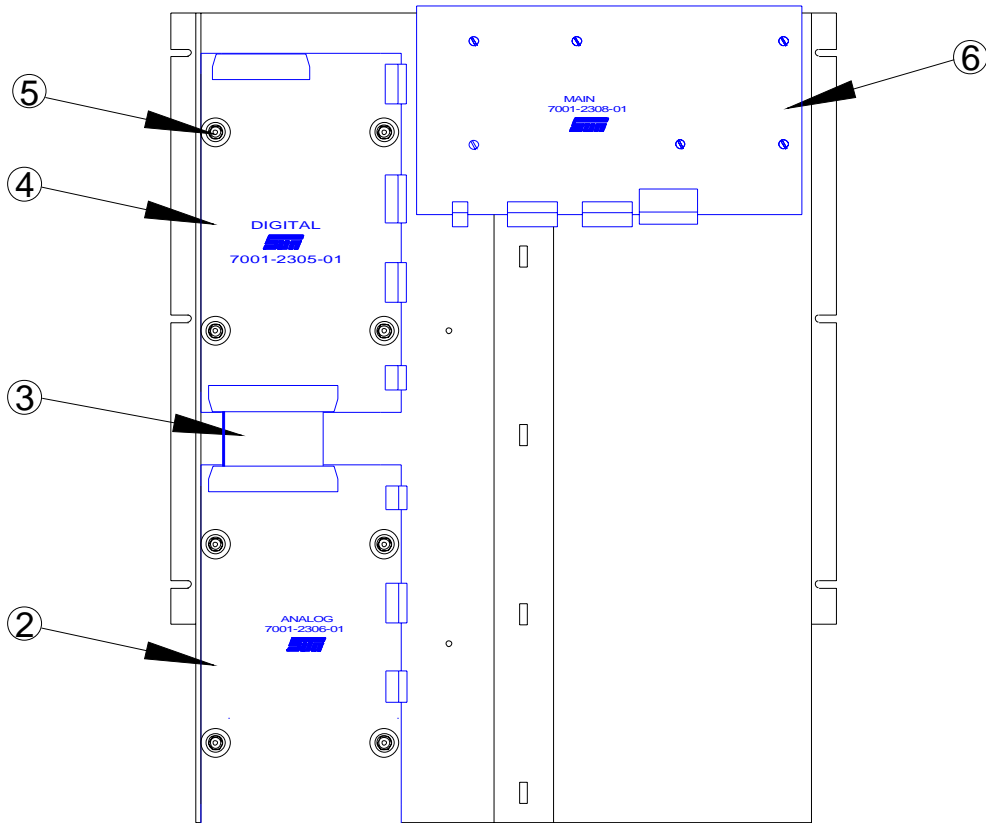
DESCRIPTION	PART NUMBER	COMMENTS
Complete Fuel Cap Tester	EAA0145C00A	Includes Gas Cap Adapters and Tester
Fuel Cap Tester Only	EAA0145C00AX	Service Replacement Fuel Cap Tester
Adapter, Blue 1 3/8" Shallow Cam	ST12402	See Operators Application Chart for usage
Adapter, Yellow 1 3/8" Deep Cam	ST12404	See Operators Application Chart for usage
Adapter, Red 1 1/2" Shallow Cam	ST12405	See Operators Application Chart for usage
Adapter, Green 1 1/2" Deep Cam	ST12406	See Operators Application Chart for usage
Adapter, Black 1 1/2" Shallow Cam	ST12407	For Usage on Honda Vehicles
Adapter, Gray 1 3/8" Shallow Cam	ST12408	For Usage on Nissan Vehicles
Adapter, Threaded Adapter	ST12410	Black adapter Part of Tester on end of Hose
Adapter, Green Master "Pass"	ST12411	Pass Gas Cap Calibration Standard
Adapter, Red Master "Fail"	ST12412	Fail Gas Cap Calibration Standard
Button Repair Kit, Gas Cap Tester	ST12414	Button and Allen Wrench for Gas Cap Tester
Pump Oil, Gas Cap Tester	ST12417	For Oiling the Gas Cap Tester Pump Shaft
Adapter Seal	ST12418	O-Ring Seal For Gas Cap Adapters
Adapter, Orange 1/8"	ST12419	See Operators Application Chart for usage
Adapter, Brown Split Thread	ST12420	See Operators Application Chart for usage
Adapter, Light Blue GM Quick On	ST12421	See Operators Application Chart for usage
Knob, Gas Cap Tester	ST12556	To Pump up the Gas Cap Tester
Adapter, Brown Split Thread	EAA0189L01A	See Operators Application Chart for usage
Adapter, Light Blue GM Quick On	EAA0189L02A	See Operators Application Chart for usage
Adapter, Orange 1/8 Turn	EAA0189L03A	See Operators Application Chart for usage
WH, Gas Cap Tester Adapter	EAW0166L03A	From Gas Cap Tester to Rear Panel SIS

ENGINE ANALYZER BOOM ASSEMBLY



ITEM	DESCRIPTION	PART NUMBER	ITEM	DESCRIPTION	PART NUMBER
1	Bd, Pod 2 Input	7001-2237-02	6	Clamp, Cable	0718-0105
2	WH, Timing Light	EAW0062C00A	7	Timing Light Holder	EASC029C94A
3a	Nipple, Vacuum Port	2209	8	Boom	EASC028C10A
4	Bd, Pod 1 Input	7001-2214-03	9	Tubing, Oil Temp.	0669-0299-01
5	Hanger, Boom	EASC029C87A	10	Cap, Oil Temp.	0301-0954-01

ENGINE ANALYZER CIRCUIT BOARDS



ITEM	DESCRIPTION	PART NUMBER	ITEM	DESCRIPTION	PART NUMBER
1	Bd, Pod Com. Interface	7001-2303-04	4	Bd, Digital	7001-2305-01
2	Bd, Analog	7001-2306-01	4a	IC, Prom Programmed	0773-2071-13
3	WH, Analog to Digital	6004-0776-01	5	Shock Mount	0561-0147-01
			6	Bd, Main	7001-2308-01

ADDITIONAL ENGINE ANALZER PARTS

<u>DESCRIPTION</u>	<u>PART NUMBER</u>	<u>COMMENTS</u>
Lead	0002-0133-15	
Endcap, Oil Temp Protector	0301-0954-01	
Spacer	0429-0038-01	Power Supply
Supply, Power	0532-0032-01	IR Power Supply, Only with Engine Analyzer Opt.
Adapter	0552-0043	
Adapter Chrysler/Jeep/Eagle	0552-0120-01	
Shock Mount	0561-0147-01	Analog and Digital Boards Mount
Tee	0647-0170	
Tubing, Oil Temp. Protector	0669-0299-01	
Test Clip	0672-0035-01	
Stickers	0682-1049-01	
Clamp, Cable	0718-0105	For Timing Light Restraint
Pattern Pickup	1747-0101	
HEI Pickup	1747-0102	
Sun Machine CD ROM Version 3.3	3-01126	
Sun Machine Installation Disk 1 of 3	3-01726	
Sun Machine Installation Disk 2 of 3	3-01826	
Sun Machine Installation Disk 3 of 3	3-01926	
Lead Assembly	6002-0346	
Jumper	6002-0349	
Oil Temperature Probe	6004-0407-01	
HD Assembly Dual Pattern	6004-0544-02	
Pattern Pickup Lead Assembly	6004-0763-02	
DIL "Y" Adapter Cable Assembly	6004-0775-02	
Universal Adapter	6004-0819-01	
Current Pickup Lead Assembly	6005-0171-03	
Universal Test Lead Assembly	6005-0182-02	
Timing Light Assembly	7009-1374-08	
Trigger Pickup Test Lead Assy.	7009-2325-02	
Magnetic Probe, Test Lead Assy	7009-2334-03	
Adapter	7054-0062	
Software, Sun Machine	EAK0157L01A	All Installation Software for Sun Machine
Label, Keyboard Overlay	EAL0123C00A	
Hanger, Boom	EASC029C87A	
Holder, Timing Light	EASC029C94A	
WH, Sun Communications	EAW0052C00A	
WH, Power Supply Signals	EAW0053C00A	
Cable, Secondary Pinpoint	EAW0054C00A	
Cable, Battery/Coil/Primary	EAW0055C00A	
WH, Amp/Oil Temperature	EAW0056C00A	
WH, Timing and Signals	EAW0057C00A	
WH, Volt/Ohm Pinpoint Leads	EAW0058C00A	
Cable, Adapt-O-	EAW0060C00A	
WH, Timing Light	EAW0061C00A	
WH, Boom CPU Ground	EAW0092C00A	
Cable, IR AC Power	EAW0146C00A	IR Power Supply
WH, IR DC Power Supply	EAW0147C00A	IR Power Supply
Manual, Engine Analyzer Users	ZEAK0085C00A	Operator's Manual

PARTS IN ALPHABETICAL ORDER

<u>DESCRIPTION</u>	<u>PART NUMBER</u>	<u>COMMENTS</u>
Adapter	0552-0043	EAO,
Adapter	7054-0062	EAO,
Adapter Seal	ST12418	O-Ring Seal For Gas Cap Adapters
Adapter, 300ZX RPM	7009-2223-01	RPM Adapter for Nissan 300ZX
Adapter, Acura	6005-0184-02	RPM Adapter
Adapter, Black 1 1/2" Shallow Cam	ST12407	For Usage on Honda Vehicles
Adapter, Blue 1 3/8" Shallow Cam	ST12402	See Operators Application Chart for usage
Adapter, BMW	6005-0184-01	RPM Adapter
Adapter, Brown Split Thread	EAA0189L01A	Gas Cap Adapter
Adapter, Brown Split Thread	ST12420	See Operators Application Chart for usage
Adapter, Chrysler/Jeep/Eagle	0552-0120-01	EAO,
Adapter, Gray 1 3/8" Shallow Cam	ST12408	For Usage on Nissan Vehicles
Adapter, Green 1 1/2" Deep Cam	ST12406	See Operators Application Chart for usage
Adapter, Green Master "Pass"	ST12411	Pass Gas Cap Calibration Standard
Adapter, HEI	1747-0106	GM "High Energy Ignition" Adapter
Adapter, Light Blue GM Quick ON	EAA0189L02A	Gas Cap Adapter
Adapter, Light Blue GM Quick On	ST12421	See Operators Application Chart for usage
Adapter, Nissan\Quad-4	6005-0181-01	RPM Adapter
Adapter, Orange 1/8 Turn	EAA0189L03A	Gas Cap Adapter
Adapter, Orange 1/8"	ST12419	See Operators Application Chart for usage
Adapter, Quick Release	0647-0194-01	Female Fitting For Dual Exhaust
Adapter, Red 1 1/2" Shallow Cam	ST12405	See Operators Application Chart for usage
Adapter, Red Master "Fail"	ST12412	Fail Gas Cap Calibration Standard
Adapter, Threaded Adapter	ST12410	Black adapter Part of Tester on end of Hose
Adapter, Yellow 1 3/8" Deep Cam	ST12404	See Operators Application Chart for usage
Audit Tool Assembly	EAA0231L00A	For verifying State Audit Failures
Banner	0692-2453-01	SIS Smog Check Banner
Battery, CPU Motherboard	2-2750	Replacement Battery for Motherboard
Bench, IR	7049-0131-01	Sensors Micro-Bench
Bit, Security	1-2484	Gas Cap Tester Bit (In Service Tools Bulletin)
Block, O ₂ Sensor	7002-0261-01	See Page 14-9
Board, 100 MHz CPU	EAP0068C00A	(Motherboard) NO MEMORY!
Board, AC Terminal	7008-0054	See Page 14-7
Board, Ambient Temp/Humidity	EAP0084C00B	Mounted on rear panel above Oxygen Sensor
Board, Analog	7001-2306-01	EAO, Under CPU Lid
Board, Backplane	EAP0083C00A	Sun Bus for RPM and Volt/Ohm (3-Slots)
Board, Clock / Security	EAP0058C00D	Located in Computer
Board, Digital	7001-2305-01	EAO, Under CPU Lid
Board, Insulator	7031-0180	Used with Terminal Board (7008-0054)
Board, Keyboard Interface	EAP0052K00A	For Remote and Keyboard
Board, Main	7001-2308-01	EAO, Under CPU Lid
Board, MicroBench I/O Test	EAP0191L00A	Use with Microbench Troubleshooting Procedure
Board, Multiplexer	EAP0120C00B	Mounted on Computer Compartment Lid
Board, Pod 1 Input	7001-2214-03	EAO, Contains; Volt/Ohm, Pattern, and Trigger
Board, Pod 2 Input	7001-2237-02	EAO, Contains; Trigger, Amps
Board, Pod Communication Int.	7001-2303-04	EAO, In PC
Board, Pwr. Distribution	7001-2300-01	Located under Computer Power Supply
Board, Receiver Remote	EAP0036K00A	Located Below Monitor Next to Standby Switch
Board, RPM I/O	EAP0127C00A	Located in Emissions Drawer
Board, Secure Drive Controller	EAP0122C00A	Controls PC / I/M Floppy and Hard Drives
Board, Solenoid Driver	EAP0090C00B	Mounted in Emissions Drawer
Board, System Interface	EAP0132C00B	CANNOT use 7001-2081-03
Board, Terminal	7008-0318	AC Power Strips
Board, Video	EAE0009L11A	8 Meg, on Board Memory

CHAPTER 14 PARTS

DESCRIPTION	PART NUMBER	COMMENTS
Board, Volt/Ohm	7001-2064-01	Without Oil Temperature
Boom	EASC028C10A	EAO , Metal Boom
Bowl, Filter	0301-0947-01	Primary & Secondary (See Drawing Page 14-10)
Bracket, Filter Assembly	7012-1382-01	Holds Filter Assembly to Emissions Drawer
Bracket, Scanner Mounting	EASC071C83A	Bar Code Scanner
Bracket, Scanner Storage	EASC071C82A	Bar Code Scanner
Bracket, Secure Hard Drive	EAA0161C00A	Hold Down Bracket For Secure HD Controller Bd.
Bracket, Security Switches	EASC071C86A	PP , Floppy & Computer Tamper Switch
Bracket, Sun Bus Board Mounting	EASC066C95A	PP , Sun Bus Backplane mounting
Bracket, Sun Bus Hold Down	EASC066C94A	PP , Holds Down Sun Bus Boards
Bracket, Unit Handle	EASC029C82A	Holds Handle to Analyzer
Bumper, Rubber	1489-0010	Cabinet Door Stop
Bushing, Strain Relief	2035-0008	Power Cord
Bushing, Strain Relief	2035-0009	Modem
Button Repair Kit, Gas Cap Tester	ST12414	Button and Allen Wrench for Gas Cap Tester
Cabinet Base Sheet Metal	EAS0066C00C	PP , Special Order
Cabinet, Sheet Metal	EASC0066C00C	PP , SIS Cabinet Sheet Metal
Cable, "Y" Power Adapter	EAW0011C00A	To Power Computer Compartment Fans
Cable, AC	6001-0199-02	To Computer and Printer
Cable, Adapt-O-	EAW0060C00A	EAO ,
Cable, Antenna	EAW0164C00B	From Antenna Connector to RPM I/O Bd
Cable, Bar Code Scanner Int.	EAW0132C00A	From Mux Bd (COM A1) to Conn. plate COM A1
Cable, Battery/Coil/Primary	EAW0055C00A	EAO , From Analog (J305) to Input Bd (J504)
Cable, Bench Power	EAW0208L60A	From Power Supply to Bench (SB#-897) (JBC)
Cable, Bench Power	EAW0208L61A	From Power Supply to Bench (SB#-897) (SIS)
Cable, COM 1	EAW0206L00A	From Motherboard to COM 1
Cable, Com 1/ Com A	EAW0131C00A	From Mux Bd (COM A) to CPU (com 1)
Cable, Comm D Ground	EAW0202L00A	From Connector Panel to Ground Lug
Cable, Dyno Interface Extension	EAW0189L00A	Makes Dyno Cable another 20 feet
Cable, Floppy Drive Data	EAW0162C00AS	From Secure Board to Floppy Disk Drive
Cable, Internal Video	EAW0048K00A	Obsolete , use EAW0225L00A
Cable, Internal Video	EAW0225L00A	From Video Board to Rear Panel Assy.
Cable, IR AC Power	EAW0146C00A	EAO , Power Supply
Cable, LPT1	6-1528	From CPU Board to Printer Data Cable
Cable, Main AC Power	6001-0177-03	Analyzer AC Power Cord
Cable, Micro Bench Data	EAW0130C00B	From Bench (J7) to Mux Bd. (COM C1)
Cable, Modem	6004-0606-01	From Wall Outlet through Connector Panel
Cable, Mux. Controller	EAW0144C00A	From System Interface (J426) to Mux Bd. (LPT1)
Cable, Power Distribution	EAW0208L00A	
Cable, Secondary Pinpoint	EAW0054C00A	EAO , From Analog (J315,307) to Input Bd (J501)
Cable, Serial, Mux/Dyno	EAW0128C00B	See Interconnection Drawing
Cable, Sun Bus Interface	EAW0163C00A	From Sun Bus Backplane to System Interface Bd.
Cap, Oil Temp.	0301-0954-01	EAO , On Boom
Capacitor, Suppression	7009-2452-01	From Pins 5 and 7 of Fan Relay
Case, Computer	EAC0038C00A	PP ,
Caster w/Brake, Swivel	8-17039	All four Casters
Chamber Assembly	1-3681	Vacuum Pump
Chock, Wheel	YA9020	For Vehicle Restraint on Dyno
Clamp, Cable	0718-0105	EAO , Timing Light Holder Retaining Clamp
Clamp, Cable	5-2645	Secures Gas Cap Tester Cable to Gas Cap Tester
Cover, DB15	4162-7119-01	On Connector Panel
Cover, DB37	7014-1212-01	See Page 14-5
Cover, DB9	7014-1109-01	See Page 14-5
Cover, NO Sensor	EASP041C00A	Cover for the NO Sensor
Cover, O2 Sheet Metal	7014-1183-01	PP ,
Cover, Temp/Humidity Board	EASC029C00A	Sheet Metal Cover for Temperature Humidity Board
Current Pickup Lead Assembly	6005-0171-03	EAO , meter Lead Assembly

DESCRIPTION	PART NUMBER	COMMENTS
Diaphragm	8-1051	Vacuum Pump
DIL "Y" Adapter Cable Assembly	6004-0775-02	EAO ,
Diode Assembly	7009-1486-03	Across Solenoids
Disk, Floppy	0552-0072-01	1.44 Meg
Drive, 1.44M Disk	EAE0012C00A	State and PC Floppy Drives
Drive, CD Changer	EAE0022L10A	Option , 16X Nakamichi 5 Disk CD Changer
Drive, IDE Hard	EAE0013C01A	2.1 Gig. Hard Drive Formatted (00 Unformatted)
Elbow	0647-0044	See Pages 14-9
Fan, Axial	0587-0504	115 volt, IR Drawer
Fan, Computer Compartment	EAA0071C43A	Fans Inside Computer and Computer Compartment
Filter, 75 Micron	0301-0944-01	Primary (See Filter Drawing Page 14-10)
Filter, 8 Micron	0301-0945-01	Secondary (See Filter Drawing Page 14-10)
Filter, Air	0301-0126	IR Drawer
Filter, In-line	0301-0152-01	See Page 14-9
Filter, In-line	1-4281	Off of bottom of Filter Bowls
Filter, Primary	0301-0136-01	Complete Assembly (See Page 14-10)
Filter, Secondary	0301-0135-01	Complete Assembly (See Page 14-10)
Fitting	0647-0083	See Page 14-9
Fitting, 45° adapter	0647-0137	On Exhaust Hose Input, and See Page 14-10
Fitting, Adapter	0647-0028	See Page 14-10
Fitting, Close Nipple	0647-0192-01	See Page 14-10
Fitting, Elbow	0647-0239-01	See Page 14-9
Fitting, Elbow O ₂ Block	0647-0073	See Page 14-9
Fitting, Hose Barbed	0647-0069	See Page 14-9
Fitting, Nipple	2209	Cal1, Cal2, Ambient Air, and Zero Ports
Fitting, O ₂ Block	0647-0146	See Page 14-9
Fitting, Tee	1-3079	Off bottom of Secondary Filter Bowl
Fixing Disc	1-8941	For Vacuum Pump
Gas Cap Tester (Complete)	EAA0145C00A	For testing Vehicle Gas Caps (Includes Caps)
Gas Cap Tester Only	EAA0145C00AX	No Gas Caps Only the Tester
Gas, PA East Calibration	0271-0099-01	3200 HC, 8.0 CO, 12.0 CO ₂ , 3000 NO, (PA East)
Gas, PA West Calibration	0271-0106-01	3200 HC, 8.0 CO, 12.0 CO ₂ , (PA West)
Gas, Zero Air Calibration	1-685	Small Disposable Cylinder
Gasket	8-951	Vacuum Pump
Gauge, Belt Tension	1-2384	Service Tool, Dyno Belt Tension Gauge
Grommet	0501-0003	O ₂ Sensor Feed Through
Grommet	0501-0017	Feed Through for Temp/Humidity Board
Handle, Rectangular Analyzer	1095-0302-01	For analyzers with rectangular tool box handles
Handle, Unit	EASC029C81A	For analyzers with tubular handles
Hanger	2161-0023	Accessories
Hanger, Boom	EASC029C87A	EAO , See Page 14-13
Hanger, Cable	EAA0190L10A	Hooks to Unit Handles
Hardware	4162-0602	Screws and Nuts for DB (Serial) Port Connectors
HD Assembly Dual Pattern	6004-0544-02	EAO ,
Head	1-2284	Vacuum Pump
HEI Pickup	1747-0102	EAO ,
Hose, 1/4" Poly	0669-0220	General Tubing
Hose, 3/16" Poly	0669-0229	General Tubing
Hose, Cal Gas High	EAA0136C02A	Hooks to Cal Gas Bottle Regulator and Rear Panel
Hose, Cal Gas Low	EAA0136C01A	Hooks to Cal Gas Bottle Regulator and Rear Panel
Hose, Dual Exhaust	3988-0231-01	See Page 14-11
Hose, Single Exhaust	3988-0230-01	See Page 14-11
Hose, Zero Air	EAA0136C03A	Zero Air Calibration Gas Hose
Housing, Filter	0301-0942-01	Primary & Secondary (See Drawing Page 14-10)
IC, Prom Programmed	0773-2071-13	Prom For Engine Analyzer Digital Bd 7001-2305-01
Jumper	6002-0349	EAO ,
Keyboard, 101 Key	0552-0117-01	Black

DESCRIPTION	PART NUMBER	COMMENTS
Keyboard, Cover	0552-1086-01	Protects keyboard from shop elements
Kit, Monitor Base	EAK0067C00AB	Fits 14", 15", & 17" Acer Monitor
Kit, Monitor Base	EAK0185L00A	Fits 15" and 17" Sampo Monitors
Kit, Pump Repair	EAK0121L00A	Contains: Diaphragm and Head with Valves
Kit, Zero Air Kit	EAK0097C00AF	Complete Kit
Knob, Gas Cap Tester	ST12556	To Pump up the Gas Cap Tester
Label, Do Not Lift	EAL0177C00A	On Handles When Delivered
Label, Exhaust Port	EAL0246C00A	"OUTSIDE EXHAUST PORT", on O2 Sensor
Label, Fan Caution	0682-0294	On top of Emissions Drawer Fan
Label, Filter Maintenance	EAL0209C00A	See Page 14-10
Label, Keyboard	EAL0234C00A	Emissions Keyboard Template
Label, Keyboard Overlay	EAL0123C00A	EAO , Keyboard Template
Label, Lower Door	EAL0133C00A	See Page 14-2
Label, Model	EAL0260C00A	SIS-909 PA East
Label, Model	EAL0261C00A	SIS-908 PA West
Label, Operate/Stand-by	EAL0132C00A	Sticker Label below Monitor behind Standby Switch
Label, Service Call	EAL0264C00A	EquiServ Service Call Label
Label, Upper Door	EAL0134C00A	See Page 14-2
Label, Warning	EAL0140C00A	General Warning
Label, Warning	EAL0148C00A	Electrical Shock Warning Label
Label, Warning/Caution	0682-1001-01	See Page 14-3 for location
Latch, Computer Cover	EASP030C88A	Sheet Metal Part of Computer Lid Lock
Latch, Magnetic	5666-0048-01	Front Panel Door
Lead	0002-0133-15	EAO ,
Lead Assembly	6002-0346	EAO ,
Lead, Antenna	6004-0614-01	From Ant. Port to Antenna Pickup
Lead, Backplane Ground	EAX0020C02A	From Ground Stud to Passive Backplane
Lead, Blue Tachometer	6004-0566-01	85" Blue RPM Lead
Lead, CD Rear Panel Ground Wire	EAX0020C00A	See Interconnection Drawing
Lead, Red Tachometer	6004-0262-05	6" Long, between clamp and long blue lead
Lead, Volt/Ohm	6004-0462	Pinpoint Leads connecting to Volt/Ohm Connector
Lock, Cam	5666-0054-01	Storage Drawer Lock Bracket
Lock, Cam	8-210371	Located on Front Door
Lock, Computer Cover	5666-0038-01	Computer Cover Security Lock
Lock, IR Drawer	5666-0035-01	Emissions Drawer Security Lock
Lock, Latch	8-20037	Located on Front Door
Lock, Spring Clip	8-3237A6	Located on Front Door
Lock, Storage Drawer	5666-0055-01	Lock Assembly for Storage Drawer w/two (2) Keys
Loop Back Adapter, 10 pin	EAE0027L02A	Service Adapter
Loop Back Adapter, 15 pin MTA	EAE0027L01A	Service Adapter
Loop Back Adapter, 25 pin	EAE0027L00A	Service Adapter
Loop Back Adapter, 9 pin	EAE0027L03A	Service Adapter
Magnetic Probe, Test Lead Assy.	7009-2334-03	EAO ,
Manifold, NO Cell	EAA0039C01A	NO Cell Plugs into this Piece
Manual, Engine Analyzer Users	ZEAK0085C00A	EAO , Operator's Manual
Manual, Generic User's	0692-2442-01	Generic Users Manual for Pennsylvania East
Manual, Generic User's	0692-2462-01	Generic Users Manual for Pennsylvania West
Manual, Operator's	ZEEEA515A	Pennsylvania JBC Only!
Manual, Supplemental Users	ZEEEA115A1	Pennsylvania East/West
Manual, Users	ZEEEA115A	Pennsylvania East/West
Memory 16 Meg SIMM	EAP0135L00A	EDO
Memory 32 Meg SIMM	EAP0136L00A	EDO
Memory 4 Meg SIMM	EAP0144L00A	EDO
Memory 8 Meg SIMM	EAP0056C00A	Fast Page
Memory 8 Meg SIMM	EAP0145L00A	EDO
Memory, 4 Meg. SIMM	EAP0051C00A	Fast Page
Memory, 8 Meg SIMM	EAP0056C00A	Each analyzer should have 2 SIMM's

<u>DESCRIPTION</u>	<u>PART NUMBER</u>	<u>COMMENTS</u>
Modem, External	EAE0019L00A	33.6 Baud Modem
Monitor Swivel Base	6078-3040-01	For 17" Acer Monitors Only
Monitor Swivel Base	6078-3090-01	For 14" and 15" Acer Monitors Only
Monitor, 14"	0859-0471-01	Acer Monitor Obsolete
Monitor, 15" SVGA Color	3-608	Sampo 15" SVGA Color Monitor
Monitor, 15"	0859-0472-01	Acer Monitor Obsolete
Monitor, 17" SVGA Color	3-708	Sampo 17" SVGA Color Monitor
Monitor, 17"	0859-0473-01	Acer Monitor Obsolete
Mounts, Rubber Shock	0561-0150-01	Vacuum Pump, Gas Bench, Solenoid Driver Bd.
Mouse, Sejin	0552-0130-02	Black
NO Interface Board	EAP0148L00A	
NO Interface Cable	EAW0101C10A	From NO sensor to NO Interface Board
Nut, Bowl	0301-0948-01	Primary & Secondary (See Drawing Page 14-10)
Nut, Retainer	0301-0946-01	For Filter Elements (See Drawing Page 14-10)
Oil Temperature Probe	6004-0407	EAO,
O-Ring	0301-0943-01	For Filter Housing (See Filter Drawing Page 14-10)
Outlet, 3-Pin Female	4162-0484	Video & Auxiliary Power
Pattern Pickup	1747-0101	EAO, Silver Coil Clamp
Pattern Pickup Lead Assembly	6004-0763-02	EAO,
Pickup, Antenna	7009-2037-01	Non-Intrusive RPM Pickup (Figure 8)
Pickup, Trigger	7009-1929	Conventional Plug Wire RPM Pickup
Plate, Magnetic Latch	7003-0586	To Hold Front Panel Up
Plug, 1½"	1374-0101	For Hole in rear of Computer Compartment
Plug, 1-3/16	1374-0124-01	STL Hole Plug
Plug, 27/32" Dia.	1374-0119-01	Aux. Plug on Connector Plate
Plug, 9/16" Dia.	1-1776	See Page 14-8
Plug, Button	1374-0104	Camera and Video Plug on Rear Panel
Plug, Button	1374-0107	To Plug Extra Cal. Ports
Plug, Button	1374-0108	Mic and Speaker Ports on Rear Panel
Plug, Double-D	1-2376	See Page 14-5
Plug, Hole	1374-0118-01	For ACC Hole on Panel Below Monitor
Printer Paper	0528-1088-01	8½ x11 White Sheets
Printer Toner Cartridge	0528-1092-01	For Okidata LED Printer
Printer, LED	EAE0026L10A	Okipage LED Printer 6e
Printer, Okidata L.E.D.	0528-0031-01	Okidata OL600E Should Use EAE0026L10A
Probe Caps	0787-0035	For Leak Check Function
Probe, Anti-Dilution Exhaust	0507-0025-01	Anti-Dilution Exhaust Probe
Probe, Exhaust Assembly	7009-1869	Complete Exhaust Probe and Handle
Probe, Exhaust Tip	7015-0081	Flexible Probe Tip Only
Pump Oil, Gas Cap Tester	ST12417	For Oiling the Gas Cap Tester Pump Shaft
Pump, Vacuum	EAA0123C00A	+12 VDC
QR Guide	0692-2469-01	
Reducer	0647-0309-01	See Page 14-9
Reducer, ¼ x 3/16	0647-0323-01	White Reducer, Input to NO Sensor
Regulator, High Pressure Gas	0131-0032-01	For Zero Air Gas Bottle
Regulator, Low Pressure Gas	0131-0031-01	For Calibration Gas Bottles
Relay, Fan Control	0783-0377-01	12VDC, 30Amps, See Page 14-7
Remote Control	EERC102A	
Restrictor	3841-0111-02	See Page 14-9
Restrictor	3841-0111-05	See Page 14-9
Scanner Cable, 2D Bar Code	EAX0012K00A	2D Bar Code Scanner Cable Only
Scanner, 2D Bar Code (Reader)	EEEH100A00	2D Bar Code Scanner Head and Cable
Scanner, 2D Bar Code Head	EEEH100A01	2D Bar Code Scanner Head Only
Screw, Barcode Scanner Jack	1-411	Holds Connector to COM A1
Sensor, NO	0514-0036-02	Nitric Oxide Transducer
Sensor, O ₂	7049-0004-01	
Shock Mount	0561-0147-01	EAO, Analog and Digital Boards

DESCRIPTION	PART NUMBER	COMMENTS
Software, 3.3 Eng. CD-ROM	3-01126	EAO , 3.3 Engine Analyzer Software CD-ROM
Software, 3.3 Eng. Floppy Disk 1	3-01726	EAO , 3.3 Software Floppy Disk 1 of 3
Software, 3.3 Eng. Floppy Disk 2	3-01826	EAO , 3.3 Software Floppy Disk 2 of 3
Software, 3.3 Eng. Floppy Disk 3	3-01926	EAO , 3.3 Software Floppy Disk 3 of 3
Software, Menu Install Disk	3-01026	PC Option Without Engine Analyzer
Software, Operating System	0552-0104-01	DOS 6.22
Software, Sun Machine	EAK0157L01A	EAO , All Installation Software for Sun Machine
Software, Windows 3.11	0552-0125-01	
Solenoid, 3-Way	0304-0059-01	
Spacer	0429-0038-01	EAO , Power Supply & Pump Vibration
Spacer, For Security Switches	0401-0370	Standoff's
Spacer, Mux. Board	0401-0023	Standoff's to Mount Multiplexer Board
Standoffs	0429-0021	For NO Cell Manifold
Standoffs	0536-0507	For NO Interface Board
Stickers	0682-1049-01	EAO , For Secondary Pickup
Supply, Modem Power	7-11901	33.6 Baud Modem Power Supply Only!
Supply, Power	0532-0031-01	300 watt, Computer Power
Supply, Power	0532-0032-01	EAO , IR Power Supply
Switch, Pressure	0549-0039-01	7" ± 1" Activation
Switch, Security	0799-0237-01	IR Drawer, Secure Floppy, Computer Cover
Switch, Stand-By/Operate	0764-0221	Front Panel Switch Below Monitor See Page 14-2
Switch/Circuit Breaker	1922-0116-23	Analyzer Power Switch/15 Amp Circuit Breaker
Tee	0647-0170	EAO , Vacuum Accessory
Tee, 3/32	0647-0102	See Page 14-9
Terminal, Insulator Bd.	7031-0181	AC Terminal Insulator Board Under Monitor
Test Clip	0672-0035-01	EAO ,
Thermostat	2-1668	Thermostat Only for the Emissions Drawer Fan
Timing Light Assembly	7009-1374-08	EAO ,
Timing Light Holder	EASC029C94A	EAO , See Page 14-13
Transformer, Ohmmeter	0778-0481-05	+24 Volt CT @ .25A
Trigger Pickup Test Lead Assy.	7009-2325-02	EAO , Red Trigger Pickup from Boom
Tubing, Oil Temp. Protector	0669-0299-01	EAO , Mounted on Boom
Universal Adapter	6004-0819-01	EAO ,
Universal Test Lead Assembly	6005-0182-02	EAO ,
Valve, Check	4015-0031-01	See Page 14-9 (.5psi)
Velcro, Hook	0424-0804-02	Used to Secure Keyboard and Modem
Velcro, Loop	0424-0804-01	Used to Secure Keyboard and Modem
WH NO/O2	EAW0101C02A	From J4, J3, and J419 to O2 and NO Sensor
WH, AC Power	EAW0165C00A	See Interconnection Drawing
WH, AC Power Hot	EAW0068C00A	From Circuit Breaker to Term. Block
WH, Amp/Oil Temperature	EAW0056C00A	EAO , From Main Bd (J2) to Input Bd (J7)
WH, Analog to Digital	6004-0776-01	EAO , Ribbon Cable between Analog & Digital Bd.
WH, Balco Scanner Interface	EAW0188L00A	From Mux.Bd. to rear panel
WH, Boom CPU Ground	EAW0092C00A	EAO , From Boom Gnd Stud to Computer Gnd Std.
WH, Clock / Security Interface	EAW0157C00A	J7 of Security Bd. to J4 of Secure Hard Drive Bd
WH, Dyno Interface Cable	EAW0179L00A	From Analyzer rear Panel to CPC Conn. On DYNO
WH, Expansion	EAW0061C00A	EAO , From J304 to J3 to J2 to J505
WH, Fan	EAW0119C60A	IR Drawer Fan AC Cord with Thermistor
WH, Fan Outlet	EAW0120C00A	AC Outlet Comes With This
WH, Gas Cap Pressure	EAW0141C00B	From See Interconnection Drawing
WH, Gas Cap Tester Interface	EAW0166L03A	From SIS Rear Panel to RJ45 Gas Cap Tester
WH, Hard Drive / CD ROM Drive	EAW0140C00A	Hard Drive and CD ROM Drive Data Cable
WH, Internal COM Ports	EAW0127C00B	From Interface Board
WH, Internal Modem	EAW0116C00A	From Modem to COM 2 on CPU
WH, Internal Power	7076-1011-01	From CPU to Power Distribution Board
WH, IR AC Power	EAW0106C00A	From Term. Block to IR Drawer Assy.
WH, IR DC Power Supply	EAW0147C00A	EAO , From Power Supply to Solenoid Bd.

DESCRIPTION	PART NUMBER	COMMENTS
WH, Keyboard Extension	EAW0105C00A	From Keyboard to Keyboard Interface Board
WH, Keyboard Interface	EAW0083C00A	From CPU to Keybd. Interface Board
WH, Micro Bench Data	EAW0098C00A	From Bench to Solenoid Driver
WH, Modem AC Outlet	EAW0122C00A	From Modem Power Supply to Term. Block
WH, Monitor AC	EAW0096C00A	From Monitor to Video Power Port
WH, Oxygen Sensor	EAW0109C00A	From O2 Sensor to J4 on Bench
WH, Power Plug	7076-0932-01	For Aux & Video Power Located below Monitor
WH, Power Supply Signals	EAW0053C00A	EAO , From PCI (J200) to Ana (J311) Digital (J305)
WH, Printer Data	EAW0072C00A	From Printer to DB25 Connector above computer
WH, Printer Extension	EAW0136C00A	Ribbon Cable from LPT1 to Printer Cable
WH, Relay Control Line	EAW0119C00A	From Relay to P417 on Solenoid Driver Bd.
WH, Remote Receiver	EAW0046K00A	From Receiver to Keybd. Interface Board
WH, Secure Return	EAW0129C00A	From CPU to Secure Drive Board
WH, Security	EAW0107C00A	See Interconnection Drawing
WH, Solenoids 1-4	EAW0097C00A	Solenoids 1-4, Low Flow Switch
WH, Standby Power	7076-0663-03	From Emissions AC Terminal Board to X-Former
WH, Standby/Operate	EAW0077K00A	From AC Power Switch to Term. Block
WH, Sun Communications	EAW0052C00A	EAO , From PCI Bd (J201) to Digital Board (J301)
WH, System Security	EAW0134C00A	Computer/Floppy Security Switches
WH, Tachometer Input	EAW0161C00B	See Interconnection Dwg.
WH, Temp/Humidity	EAW0121C00A	From Temp/Humidity Board to J19 & JA5 on Bench
WH, Timing and Signals	EAW0057C00A	EAO , From Main Bd (J1) to Input (J3)
WH, Timing Light	EAW0062C00A	EAO , From Timing Light Connector to J1 and J4
WH, Transformer Output	7076-0662-03	From X-Former to DVM Board
WH, Volt/Ohm	EAW0158C00B	See Interconnection Dwg.
WH, Volt/Ohm Pinpoint Leads	EAW0058C00A	EAO , Dual Pinpoint Test Lead Assembly
Windows 95	EESP107FD	
WL, AC Relay	EAX0019C00A	From Pin 7 of Relay to AC Term Strip Black
WL, Conn. Panel Ground Wire	EAX0021C00A	From Connector Plate to Computer Case
WL, Ground	EAX0018C00A	Vacuum Pump Ground
WL, Mux Chassis Ground Wire	EAX0022C00A	From Mux Board to Chasis Ground
WL, RPM Ground Wire	EAX0021C01A	From Computer Case to Chasis Ground
Zero Air Bracket Assembly	EAA0190L00A	New Style that Clamps Bottle, No Rubber Strap
Zero Air Bracket ROD	EASP097L03A	Used with EAA0190L00A Bracket

PARTS IN NUMERICAL ORDER

<u>PART NUMBER</u>	<u>DESCRIPTION</u>	<u>COMMENTS</u>
0002-0133-15	Lead	EAO,
0131-0031-01	Regulator, Low Pressure Gas	For Calibration Gas Bottles
0131-0032-01	Regulator, High Pressure Gas	For Zero Air High Pressure Gas Bottle
0271-0099-01	Gas, PA East Calibration	3200 HC, 8.0 CO, 12.0 CO ₂ , 3000 NO, (PA East)
0271-0106-01	Gas, PA West Calibration	3200 HC, 8.0 CO, 12.0 CO ₂ , (PA West)
0301-0126	Filter, Air	IR Drawer
0301-0135-01	Filter, Secondary	Complete Assembly (See Page 14-10)
0301-0136-01	Filter, Primary	Complete Assembly (See Page 14-10)
0301-0152-01	Filter, In-line	See Page 14-9
0301-0942-01	Housing, Filter	Primary & Secondary (See Drawing Page 14-10)
0301-0943-01	O-Ring	For Filter Housing (See Filter Drawing Page 14-10)
0301-0944-01	Filter, 75 Micron	Primary (See Filter Drawing Page 14-10)
0301-0945-01	Filter, 8 Micron	Secondary (See Filter Drawing Page 14-10)
0301-0946-01	Nut, Retainer	For Filter Elements (See Drawing Page 14-10)
0301-0947-01	Bowl, Filter	Primary & Secondary (See Drawing Page 14-10)
0301-0948-01	Nut, Bowl	Primary & Secondary (See Drawing Page 14-10)
0301-0954-01	Cap, Oil Temp.	EAO, On Boom
0304-0059-01	Solenoid, 3-Way	
0401-0023	Spacer, Mux. Board	Standoff's to Mount Multiplexer Board
0401-0370	Spacer, For Security Switches	Standoff's
0424-0804-01	Velcro, Loop	Used to Secure Keyboard and Modem
0424-0804-02	Velcro, Hook	Used to Secure Keyboard and Modem
0429-0021	Standoffs	For NO Cell Manifold
0429-0038-01	Spacer	EAO, Power Supply & Pump Vibration
0501-0003	Grommet	O ₂ Sensor Feed Through
0501-0017	Grommet	Feed Through for Temp/Humidity Board
0507-0025-01	Probe, Anti-Dilution Exhaust	Anti-Dilution Exhaust Probe
0514-0036-02	Sensor, NO	Nitric Oxide Transducer
0528-0031-01	Printer, Okidata L.E.D.	Okidata OL600E Should Use EAE0026L10A
0528-1088-01	Printer Paper	8½ x11 White Sheets
0528-1092-01	Printer Toner Cartridge	For Okidata LED Printer
0532-0031-01	Supply, Power	300 watt, Computer Power
0532-0032-01	Supply, Power	EAO, IR Power Supply
0536-0507	Standoffs	For NO Interface Board
0549-0039-01	Switch, Pressure	7" ± 1" Activation
0552-0043	Adapter	EAO,
0552-0072-01	Disk, Floppy	1.44 Meg
0552-0104-01	Software, Operating System	DOS 6.22
0552-0117-01	Keyboard, 101 Key	Black
0552-0120-01	Adapter, Chrysler/Jeep/Eagle	EAO,
0552-0125-01	Software, Windows 3.11	
0552-0130-02	Mouse, Sejin	Black
0552-1086-01	Keyboard, Cover	Protects keyboard from shop elements
0561-0147-01	Shock Mount	EAO, Analog and Digital Boards
0561-0150-01	Mounts, Rubber Shock	Vacuum Pump, Gas Bench, Solenoid Driver Bd.
0587-0504	Fan, Axial	115 volt, IR Drawer
0647-0028	Fitting, Adapter	See Page 14-10
0647-0044	Elbow	See Pages 14-9
0647-0069	Fitting, Hose Barbed	See Page 14-9
0647-0073	Fitting, Elbow O ₂ Block	See Page 14-9
0647-0083	Fitting	See Page 14-9
0647-0102	Tee, 3/32	See Page 14-9
0647-0137	Fitting, 45° adapter	On Exhaust Hose Input, and See Page 14-10
0647-0146	Fitting, O ₂ Block	See Page 14-9

PART NUMBER	DESCRIPTION	COMMENTS
0647-0170	Tee	EAO , Vacuum Accessory
0647-0192-01	Fitting, Close Nipple	See Page 14-10
0647-0194-01	Adapter, Quick Release	Female Fitting For Dual Exhaust
0647-0239-01	Fitting, Elbow	See Page 14-9
0647-0309-01	Reducer	See Page 14-9
0647-0323-01	Reducer, ¼ x 3/16	White Reducer, Input to NO Sensor
0669-0220	Hose, 1/4" Poly	General Tubing
0669-0229	Hose, 3/16" Poly	General Tubing
0669-0299-01	Tubing, Oil Temp. Protector	EAO , Mounted on Boom
0672-0035-01	Test Clip	EAO ,
0682-0294	Label, Fan Caution	On top of Emissions Drawer Fan
0682-1001-01	Label, Warning/Caution	See Page 14-3 for location
0682-1049-01	Stickers	EAO , For Secondary Pickup
0692-2442-01	Manual, Generic User's	Generic Users Manual for Pennsylvania East
0692-2453-01	Banner	SIS Smog Check Banner
0692-2462-01	Manual, Generic User's	Generic Users Manual for Pennsylvania West
0692-2469-01	QR Guide	
0718-0105	Clamp, Cable	EAO , Timing Light Holder Retaining Clamp
0764-0221	Switch, Stand-By/Operate	Front Panel Switch Below Monitor See Page 14-2
0773-2071-13	IC, Prom Programmed	Prom For Engine Analyzer Digital Bd 7001-2305-01
0778-0481-05	Transformer, Ohmmeter	+24 Volt CT @ .25A
0783-0377-01	Relay, Fan Control	12VDC, 30Amps, See Page 14-7
0787-0035	Probe Caps	For Leak Check Function
0799-0237-01	Switch, Security	IR Drawer, Secure Floppy, Computer Cover
0859-0471-01	Monitor, 14"	Acer Monitor Obsolete
0859-0472-01	Monitor, 15"	Acer Monitor Obsolete
0859-0473-01	Monitor, 17"	Acer Monitor Obsolete
1095-0302-01	Handle, Rectangular Analyzer	For analyzers with rectangular tool box handles
1-1776	Plug, 9/16" Dia.	See Page 14-8
1-2284	Head	Vacuum Pump
1-2376	Plug, Double-D	See Page 14-5
1-2384	Gauge, Belt Tension	Service Tool, Dyno Belt Tension Gauge
1-2484	Bit, Security	Gas Cap Tester Bit (In Service Tools Bulletin)
1-3079	Fitting, Tee	Off bottom of Secondary Filter Bowl
1-3681	Chamber Assembly	Vacuum Pump
1374-0101	Plug, 1½"	For Hole in rear of Computer Compartment
1374-0104	Plug, Button	Camera and Video Plug on Rear Panel
1374-0107	Plug, Button	To Plug Extra Cal. Ports
1374-0108	Plug, Button	Mic and Speaker Ports on Rear Panel
1374-0118-01	Plug, Hole	For ACC Hole on Panel Below Monitor
1374-0119-01	Plug, 27/32" Dia.	Aux. Plug on Connector Plate
1374-0124-01	Plug, 1-3/16	STL Hole Plug
1-411	Screw, Barcode Scanner Jack	Holds Connector to COM A1
1-4281	Filter, In-line	Off of bottom of Filter Bowls
1489-0010	Bumper, Rubber	Cabinet Door Stop
1-685	Gas, Zero Air Calibration	Small Disposable Cylinder
1747-0101	Pattern Pickup	EAO , Silver Coil Clamp
1747-0102	HEI Pickup	EAO ,
1747-0106	Adapter, HEI	GM "High Energy Ignition" Adapter
1-8941	Fixing Disc	For Vacuum Pump
1922-0116-23	Switch/Circuit Breaker	Analyzer Power Switch/15 Amp Circuit Breaker
2035-0008	Bushing, Strain Relief	Power Cord
2035-0009	Bushing, Strain Relief	Modem
2161-0023	Hanger	Accessories
2-1668	Thermostat	Thermostat Only for the Emissions Drawer Fan
2209	Fitting, Nipple	Cal1, Cal2, Ambient Air, and Zero Ports
2-2750	Battery, CPU Motherboard	Replacement Battery for Motherboard

PART NUMBER	DESCRIPTION	COMMENTS
3-01026	Software, Menu Install Disk	PC Option Without Engine Analyzer
3-01126	Software, 3.3 Eng. CD-ROM	EAO , 3.3 Engine Analyzer Software CD-ROM
3-01726	Software, 3.3 Eng. Floppy Disk 1	EAO , 3.3 Software Floppy Disk 1 of 3
3-01826	Software, 3.3 Eng. Floppy Disk 2	EAO , 3.3 Software Floppy Disk 2 of 3
3-01926	Software, 3.3 Eng. Floppy Disk 3	EAO , 3.3 Software Floppy Disk 3 of 3
3-608	Monitor, 15" SVGA Color	Sampo 15" SVGA Color Monitor
3-708	Monitor, 17" SVGA Color	Sampo 17" SVGA Color Monitor
3841-0111-02	Restrictor	See Page 14-9
3841-0111-05	Restrictor	See Page 14-9
3988-0230-01	Hose, Single Exhaust	See Page 14-11
3988-0231-01	Hose, Dual Exhaust	See Page 14-11
4015-0031-01	Valve, Check	See Page 14-9 (.5psi)
4162-0484	Outlet, 3-Pin Female	Video & Auxiliary Power
4162-0602	Hardware	Screws and Nuts for DB (Serial) Port Connectors
4162-7119-01	Cover, DB15	On Connector Panel
5-2645	Clamp, Cable	Secures Gas Cap Tester Cable to Gas Cap Tester
5666-0035-01	Lock, IR Drawer	Emissions Drawer Security Lock
5666-0038-01	Lock, Computer Cover	Computer Cover Security Lock
5666-0048-01	Latch, Magnetic	Front Panel Door
5666-0054-01	Lock, Cam	Storage Drawer Lock Bracket
5666-0055-01	Lock, Storage Drawer	Lock Assembly for Storage Drawer w/two (2) Keys
6001-0177-03	Cable, Main AC Power	Analyzer AC Power Cord
6001-0199-02	Cable, AC	To Computer and Printer
6002-0346	Lead Assembly	EAO ,
6002-0349	Jumper	EAO ,
6004-0262-05	Lead, Red Tachometer	6" Long, between clamp and long blue lead
6004-0407	Oil Temperature Probe	EAO ,
6004-0462	Lead, Volt/Ohm	Pinpoint Leads connecting to Volt/Ohm Connector
6004-0544-02	HD Assembly Dual Pattern	EAO ,
6004-0566-01	Lead, Blue Tachometer	85" Blue RPM Lead
6004-0606-01	Cable, Modem	From Wall Outlet through Connector Panel
6004-0614-01	Lead, Antenna	From Ant. Port to Antenna Pickup
6004-0763-02	Pattern Pickup Lead Assembly	EAO ,
6004-0775-02	DIL "Y" Adapter Cable Assembly	EAO ,
6004-0776-01	WH, Analog to Digital	EAO , Ribbon Cable between Analog & Digital Bd.
6004-0819-01	Universal Adapter	EAO ,
6005-0171-03	Current Pickup Lead Assembly	EAO , meter Lead Assembly
6005-0181-01	Adapter, Nissan\Quad-4	RPM Adapter
6005-0182-02	Universal Test Lead Assembly	EAO ,
6005-0184-01	Adapter, BMW	RPM Adapter
6005-0184-02	Adapter, Acura	RPM Adapter
6078-3040-01	Monitor Swivel Base	For 17" Acer Monitors Only
6078-3090-01	Monitor Swivel Base	For 14" and 15" Acer Monitors Only
6-1528	Cable, LPT1	From CPU Board to Printer Data Cable
7001-2064-01	Board, Volt/Ohm	Without Oil Temperature
7001-2214-03	Bd, Pod 1 Input	EAO , Contains; Volt/Ohm, Pattern, and Trigger
7001-2237-02	Bd, Pod 2 Input	EAO , Contains; Trigger, Amps
7001-2300-01	Board, Pwr. Distribution	Located under Computer Power Supply
7001-2303-04	Bd, Pod Communication Interface	EAO , In PC
7001-2305-01	Bd, Digital	EAO , Under CPU Lid
7001-2306-01	Bd, Analog	EAO , Under CPU Lid
7001-2308-01	Bd, Main	EAO , Under CPU Lid
7002-0261-01	Block, O ₂ Sensor	See Page 14-9
7003-0586	Plate, Magnetic Latch	To Hold Front Panel Up
7008-0054	Board, AC Terminal	See Page 14-7
7008-0318	Board, Terminal	AC Power Strips
7009-1374-08	Timing Light Assembly	EAO ,

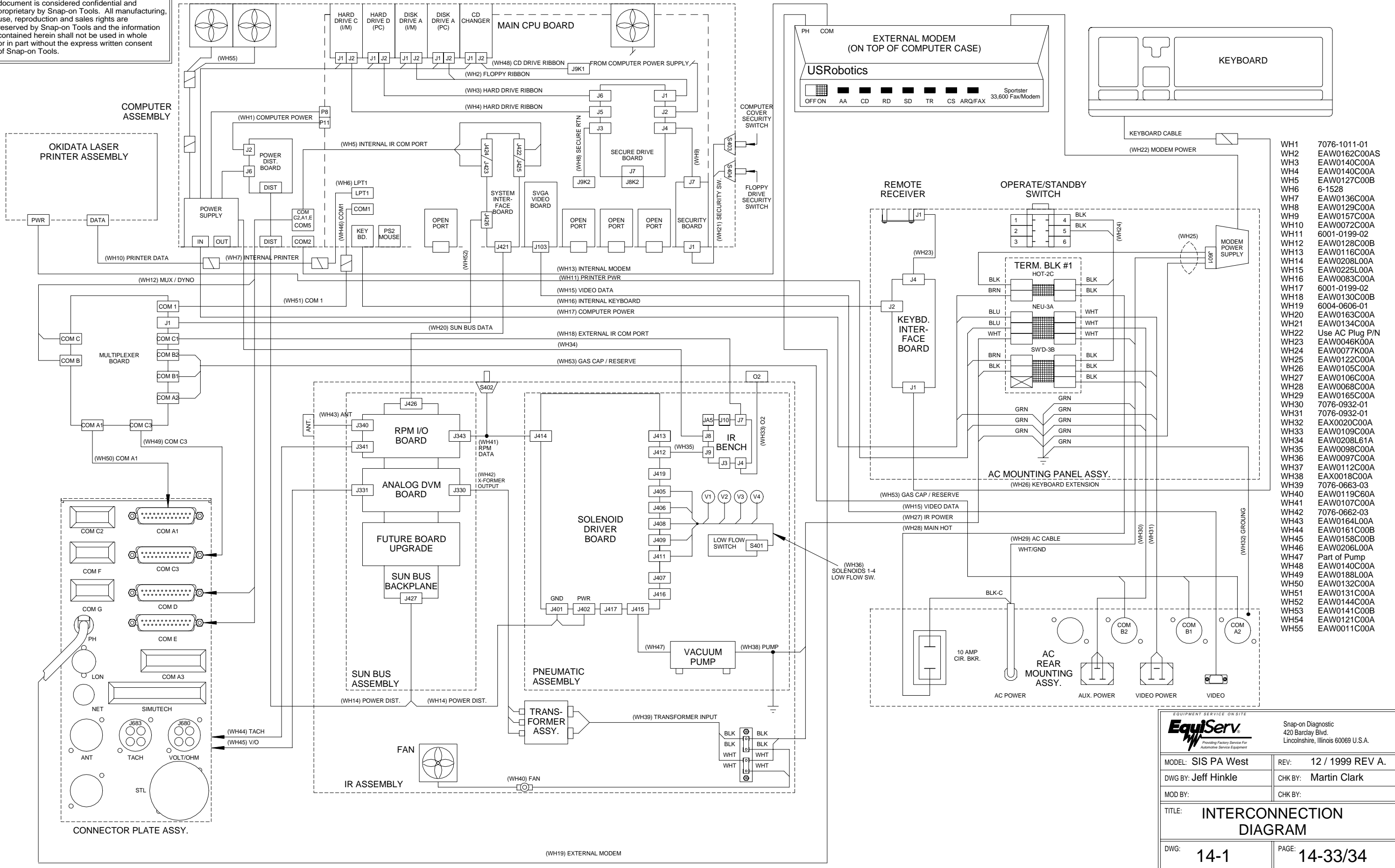
PART NUMBER	DESCRIPTION	COMMENTS
7009-1486-03	Diode Assembly	Across Solenoids
7009-1869	Probe, Exhaust Assembly	Complete Exhaust Probe and Handle
7009-1929	Pickup, Trigger	Conventional Plug Wire RPM Pickup
7009-2037-01	Pickup, Antenna	Non-Intrusive RPM Pickup (Figure 8)
7009-2223-01	Adapter, 300ZX RPM	RPM Adapter for Nissan 300ZX
7009-2325-02	Trigger Pickup Test Lead Assy.	EAO , Red Trigger Pickup from Boom
7009-2334-03	Magnetic Probe, Test Lead Assy.	EAO ,
7009-2452-01	Capacitor, Suppression	From Pins 5 and 7 of Fan Relay
7012-1382-01	Bracket, Filter Assembly	Holds Filter Assembly to Emissions Drawer
7014-1109-01	Cover, DB9	See Page 14-5
7014-1183-01	Cover, O2 Sheet Metal	PP ,
7014-1212-01	Cover, DB37	See Page 14-5
7015-0081	Probe, Exhaust Tip	Flexible Probe Tip Only
7031-0180	Board, Insulator	Used with Terminal Board (7008-0054)
7031-0181	Terminal, Insulator Bd.	AC Terminal Insulator Board Under Monitor
7049-0004-01	Sensor, O ₂	
7049-0131-01	Bench, IR	Sensors Micro-Bench
7054-0062	Adapter	EAO ,
7076-0662-03	WH, Transformer Output	From X-Former to DVM Board
7076-0663-03	WH, Standby Power	From Emissions AC Terminal Board to X-Former
7076-0932-01	WH, Power Plug	For Aux & Video Power Located below Monitor
7076-1011-01	WH, Internal Power	From CPU to Power Distribution Board
7-11901	Supply, Modem Power	33.6 Baud Modem Power Supply Only!
8-1051	Diaphragm	Vacuum Pump
8-17039	Caster w/Brake, Swivel	All four Casters
8-20037	Lock, Latch	Located on Front Door
8-210371	Lock, Cam	Located on Front Door
8-3237A6	Lock, Spring Clip	Located on Front Door
8-951	Gasket	Vacuum Pump
EAA0039C01A	Manifold, NO Cell	NO Cell Plugs into this Piece
EAA0071C43A	Fan, Computer Compartment	Fans Inside Computer and Computer Compartment
EAA0123C00A	Pump, Vacuum	+12 VDC
EAA0136C01A	Hose, Cal Gas Low	Hooks to Cal Gas Bottle Regulator and Rear Panel
EAA0136C02A	Hose, Cal Gas High	Hooks to Cal Gas Bottle Regulator and Rear Panel
EAA0136C03A	Hose, Zero Air	Zero Air Calibration Gas Hose
EAA0145C00A	Gas Cap Tester (Complete)	For testing Vehicle Gas Caps (Includes Caps)
EAA0145C00AX	Gas Cap Tester Only	No Gas Caps Only the Tester
EAA0161C00A	Bracket, Secure Hard Drive	Hold Down Bracket For Secure HD Controller Bd.
EAA0189L01A	Adapter, Brown Split Thread	Gas Cap Adapter
EAA0189L02A	Adapter, Light Blue GM Quick ON	Gas Cap Adapter
EAA0189L03A	Adapter, Orange 1/8 Turn	Gas Cap Adapter
EAA0190L00A	Zero Air Bracket Assembly	New Style that Clamps Bottle, No Rubber Strap
EAA0190L10A	Hanger, Cable	Hooks to Unit Handles
EAA0231L00A	Audit Tool Assembly	For verifying State Audit Failures
EAC0038C00A	Case, Computer	PP ,
EAE0009L11A	Board, Video	8 Meg, on Board Memory
EAE0012C00A	Drive, 1.44M Disk	State and PC Floppy Drives
EAE0013C01A	Drive, IDE Hard	2.1 Gig. Hard Drive Formatted (00 Unformatted)
EAE0019L00A	Modem, External	33.6 Baud Modem
EAE0022L10A	Drive, CD Changer	Option , 16X Nakamichi 5 Disk CD Changer
EAE0026L10A	Printer, LED	Okipage LED Printer 6e
EAE0027L00A	Loop Back Adapter, 25 pin	Service Adapter
EAE0027L01A	Loop Back Adapter, 15 pin MTA	Service Adapter
EAE0027L02A	Loop Back Adapter, 10 pin	Service Adapter
EAE0027L03A	Loop Back Adapter, 9 pin	Service Adapter
EAK0067C00AB	Kit, Monitor Base	Fits 14", 15", & 17" Acer Monitor
EAK0097C00AF	Kit, Zero Air Kit	Complete Kit

<u>PART NUMBER</u>	<u>DESCRIPTION</u>	<u>COMMENTS</u>
EAK0121L00A	Kit, Pump Repair	Contains: Diaphragm and Head with Valves
EAK0157L01A	Software, Sun Machine	EAO , All Installation Software for Sun Machine
EAK0185L00A	Kit, Monitor Base	Fits 15" and 17" Sampo Monitors
EAL0123C00A	Label, Keyboard Overlay	EAO , Keyboard Template
EAL0132C00A	Label, Operate/Stand-by	Sticker Label below Monitor behind Standby Switch
EAL0133C00A	Label, Lower Door	See Page 14-2
EAL0134C00A	Label, Upper Door	See Page 14-2
EAL0140C00A	Label, Warning	General Warning
EAL0148C00A	Label, Warning	Electrical Shock Warning Label
EAL0177C00A	Label, Do Not Lift	On Handles When Delivered
EAL0209C00A	Label, Filter Maintenance	See Page 14-10
EAL0234C00A	Label, Keyboard	Emissions Keyboard Template
EAL0246C00A	Label, Exhaust Port	"OUTSIDE EXHAUST PORT", on O2 Sensor
EAL0260C00A	Label, Model	SIS-909 PA East
EAL0261C00A	Label, Model	SIS-908 PA West
EAL0264C00A	Label, Service Call	EquiServ Service Call Label
EAP0036K00A	Board, Receiver Remote	Located Below Monitor Next to Standby Switch
EAP0051C00A	Memory, 4 Meg. SIMM	Fast Page
EAP0052K00A	Board, Keyboard Interface	For Remote and Keyboard
EAP0056C00A	Memory 8 Meg SIMM	Fast Page
EAP0056C00A	Memory, 8 Meg SIMM	Each analyzer should have 2 SIMM's
EAP0058C00D	Board, Clock / Security	Located in Computer
EAP0068C00A	Board, 100 MHz CPU	(Motherboard) NO MEMORY!
EAP0083C00A	Board, Backplane	Sun Bus for RPM and Volt/Ohm (3-Slots)
EAP0084C00B	Board, Ambient Temp/Humidity	Mounted on rear panel above Oxygen Sensor
EAP0090C00B	Board, Solenoid Driver	Mounted in Emissions Drawer
EAP0120C00B	Board, Multiplexer	Mounted on Computer Compartment Lid
EAP0122C00A	Board, Secure Drive Controller	Controls PC / I/M Floppy and Hard Drives
EAP0127C00A	Board, RPM I/O	Located in Emissions Drawer
EAP0132C00B	Board, System Interface	CANNOT use 7001-2081-03
EAP0135L00A	Memory 16 Meg SIMM	EDO
EAP0136L00A	Memory 32 Meg SIMM	EDO
EAP0144L00A	Memory 4 Meg SIMM	EDO
EAP0145L00A	Memory 8 Meg SIMM	EDO
EAP0148L00A	NO Interface Board	
EAP0191L00A	Board, MicroBench I/O Test	Use with Microbench Troubleshooting Procedure
EAS0066C00C	Cabinet Base Sheet Metal	PP , Special Order
EASC0066C00C	Cabinet, Sheet Metal	PP , SIS Cabinet Sheet Metal
EASC028C10A	Boom	EAO , Metal Boom
EASC029C00A	Cover, Temp/Humidity Board	Sheet Metal Cover for Temperature Humidity Bd.
EASC029C81A	Handle, Unit	For analyzers with tubular handles
EASC029C82A	Bracket, Unit Handle	Holds Handle to Analyzer
EASC029C87A	Hanger, Boom	EAO , See Page 14-13
EASC029C94A	Timing Light Holder	EAO , See Page 14-13
EASC066C94A	Bracket, Sun Bus Hold Down	PP , Holds Down Sun Bus Boards
EASC066C95A	Bracket, Sun Bus Board Mounting	PP , Sun Bus Backplane mounting
EASC071C82A	Bracket, Scanner Storage	Bar Code Scanner
EASC071C83A	Bracket, Scanner Mounting	Bar Code Scanner
EASC071C86A	Bracket, Security Switches	PP , Floppy & Computer Tamper Switch
EASP030C88A	Latch, Computer Cover	Sheet Metal Part of Computer Lid Lock
EASP041C00A	Cover, NO Sensor	Cover for the NO Sensor
EASP097L03A	Zero Air Bracket ROD	Used with EAA0190L00A Bracket
EAW0011C00A	Cable, "Y" Power Adapter	To Power Computer Compartment Fans
EAW0046K00A	WH, Remote Receiver	From Receiver to Keybd. Interface Board
EAW0048K00A	Cable, Internal Video	Obsolete , use EAW0225L00A
EAW0052C00A	WH, Sun Communications	EAO , From PCI Bd (J201) to Digital Board (J301)
EAW0053C00A	WH, Power Supply Signals	EAO , From PCI (J200) to Ana (J311) Digital (J305)

PART NUMBER	DESCRIPTION	COMMENTS
EAW0054C00A	Cable, Secondary Pinpoint	EAO , From Analog (J315,307) to Input Bd (J501)
EAW0055C00A	Cable, Battery/Coil/Primary	EAO , From Analog (J305) to Input Bd (J504)
EAW0056C00A	WH, Amp/Oil Temperature	EAO , From Main Bd (J2) to Input Bd (J7)
EAW0057C00A	WH, Timing and Signals	EAO , From Main Bd (J1) to Input (J3)
EAW0058C00A	WH, Volt/Ohm Pinpoint Leads	EAO , Dual Pinpoint Test Lead Assembly
EAW0060C00A	Cable, Adapt-O-	EAO ,
EAW0061C00A	WH, Expansion	EAO , From J304 to J3 to J2 to J505
EAW0062C00A	WH, Timing Light	EAO , From Timing Light Connector to J1 and J4
EAW0068C00A	WH, AC Power Hot	From Circuit Breaker to Term. Block
EAW0072C00A	WH, Printer Data	From Printer to DB25 Connector above computer
EAW0077K00A	WH, Standby/Operate	From AC Power Switch to Term. Block
EAW0083C00A	WH, Keyboard Interface	From CPU to Keybd. Interface Board
EAW0092C00A	WH, Boom CPU Ground	EAO , From Boom Gnd Stud to Computer Gnd Std.
EAW0096C00A	WH, Monitor AC	From Monitor to Video Power Port
EAW0097C00A	WH, Solenoids 1-4	Solenoids 1-4, Low Flow Switch
EAW0098C00A	WH, Micro Bench Data	From Bench to Solenoid Driver
EAW0101C02A	WH NO/O2	From J4, J3, and J419 to O2 and NO Sensor
EAW0101C10A	NO Interface Cable	From NO sensor to NO Interface Board
EAW0105C00A	WH, Keyboard Extension	From Keyboard to Keyboard Interface Board
EAW0106C00A	WH, IR AC Power	From Term. Block to IR Drawer Assy.
EAW0107C00A	WH, Security	See Interconnection Drawing
EAW0109C00A	WH, Oxygen Sensor	From O2 Sensor to J4 on Bench
EAW0116C00A	WH, Internal Modem	From Modem to COM 2 on CPU
EAW0119C00A	WH, Relay Control Line	From Relay to P417 on Solenoid Driver Bd.
EAW0119C60A	WH, Fan	IR Drawer Fan AC Cord with Thermistor
EAW0120C00A	WH, Fan Outlet	AC Outlet Comes With This
EAW0121C00A	WH, Temp/Humidity	From Temp/Humidity Board to J19 & JA5 on Bench
EAW0122C00A	WH, Modem AC Outlet	From Modem Power Supply to Term. Block
EAW0127C00B	WH, Internal COM Ports	From Interface Board
EAW0128C00B	Cable, Serial, Mux/Dyno	See Interconnection Drawing
EAW0129C00A	WH, Secure Return	From CPU to Secure Drive Board
EAW0130C00B	Cable, Micro Bench Data	From Bench (J7) to Mux Bd. (COM C1)
EAW0131C00A	Cable, Com 1/ Com A	From Mux Bd (COM A) to CPU (com 1)
EAW0132C00A	Cable, Bar Code Scanner Interface	From Mux Bd (COM A1) to Conn. plate COM A1
EAW0134C00A	WH, System Security	Computer/Floppy Security Switches
EAW0136C00A	WH, Printer Extension	Ribbon Cable from LPT1 to Printer Cable
EAW0140C00A	WH, Hard Drive / CD ROM Drive	Hard Drive and CD ROM Drive Data Cable
EAW0141C00B	WH, Gas Cap Pressure	From See Interconnection Drawing
EAW0144C00A	Cable, Mux. Controller	From System Interface (J426) to Mux Bd. (LPT1)
EAW0146C00A	Cable, IR AC Power	EAO , Power Supply
EAW0147C00A	WH, IR DC Power Supply	EAO , From Power Supply to Solenoid Bd.
EAW0157C00A	WH, Clock / Security Interface	J7 of Security Bd. to J4 of Secure Hard Drive Bd
EAW0158C00B	WH, Volt/Ohm	See Interconnection Dwg.
EAW0161C00B	WH, Tachometer Input	See Interconnection Dwg.
EAW0162C00AS	Cable, Floppy Drive Data	From Secure Board to Floppy Disk Drive
EAW0163C00A	Cable, Sun Bus Interface	From Sun Bus Backplane to System Interface Bd.
EAW0164C00B	Cable, Antenna	From Antenna Connector to RPM I/O Bd
EAW0165C00A	WH, AC Power	See Interconnection Drawing
EAW0166L03A	WH, Gas Cap Tester Interface	From SIS Rear Panel to RJ45 Gas Cap Tester
EAW0179L00A	WH, Dyno Interface Cable	From Analyzer rear Panel to CPC Conn. On DYNO
EAW0188L00A	WH, Balco Scanner Interface	From Mux.Bd. to rear panel
EAW0189L00A	Cable, Dyno Interface Extension	Makes Dyno Cable another 20 feet
EAW0202L00A	Cable, Comm D Ground	From Connector Panel to Ground Lug
EAW0206L00A	Cable, COM 1	From Motherboard to COM 1
EAW0208L00A	Cable, Power Distribution	
EAW0208L60A	Cable, Bench Power	From Power Supply to Bench (SB#-897) (JBC)
EAW0208L61A	Cable, Bench Power	From Power Supply to Bench (SB#-897) (SIS)

<u>PART NUMBER</u>	<u>DESCRIPTION</u>	<u>COMMENTS</u>
EAW0225L00A	Cable, Internal Video	From Video Board to Rear Panel Assy.
EAX0012K00A	Scanner Cable, 2D Bar Code	2D Bar Code Scanner Cable Only
EAX0018C00A	WL, Ground	Vacuum Pump Ground
EAX0019C00A	WL, AC Relay	From Pin 7 of Relay to AC Term Strip Black
EAX0020C00A	Lead, CD Rear Panel Ground Wire	See Interconnection Drawing
EAX0020C02A	Lead, Backplane Ground	From Ground Stud to Passive Backplane
EAX0021C00A	WL, Conn. Panel Ground Wire	From Connector Plate to Computer Case
EAX0021C01A	WL, RPM Ground Wire	From Computer Case to Chasis Ground
EAX0022C00A	WL, Mux Chassis Ground Wire	From Mux Board to Chasis Ground
EEEH100A00	Scanner, 2D Bar Code (Reader)	2D Bar Code Scanner Head and Cable
EEEH100A01	Scanner, 2D Bar Code Head	2D Bar Code Scanner Head Only
EERC102A	Remote Control	For Dyno Tests Only
EESP107FD	Windows 95	
ST12402	Adapter, Blue 1 3/8" Shallow Cam	See Operators Application Chart for usage
ST12404	Adapter, Yellow 1 3/8" Deep Cam	See Operators Application Chart for usage
ST12405	Adapter, Red 1 1/2" Shallow Cam	See Operators Application Chart for usage
ST12406	Adapter, Green 1 1/2" Deep Cam	See Operators Application Chart for usage
ST12407	Adapter, Black 1 1/2" Shallow Cam	For Usage on Honda Vehicles
ST12408	Adapter, Gray 1 3/8" Shallow Cam	For Usage on Nissan Vehicles
ST12410	Adapter, Threaded Adapter	Black adapter Part of Tester on end of Hose
ST12411	Adapter, Green Master "Pass"	Pass Gas Cap Calibration Standard
ST12412	Adapter, Red Master "Fail"	Fail Gas Cap Calibration Standard
ST12414	Button Repair Kit, Gas Cap Tester	Button and Allen Wrench for Gas Cap Tester
ST12417	Pump Oil, Gas Cap Tester	For Oiling the Gas Cap Tester Pump Shaft
ST12418	Adapter Seal	O-Ring Seal For Gas Cap Adapters
ST12419	Adapter, Orange 1/8"	See Operators Application Chart for usage
ST12420	Adapter, Brown Split Thread	See Operators Application Chart for usage
ST12421	Adapter, Light Blue GM Quick On	See Operators Application Chart for usage
ST12556	Knob, Gas Cap Tester	To Pump up the Gas Cap Tester
YA9020	Chock, Wheel	For Vehicle Restraint on Dyno
ZEAK0085C00A	Manual, Engine Analyzer Users	EAO , Operator's Manual
ZEEEA115A	Manual, Users	Pennsylvania East/West
ZEEEA115A1	Manual, Supplemental Users	Pennsylvania East/West
ZEEEA515A	Manual, Operator's	Pennsylvania JBC Only!

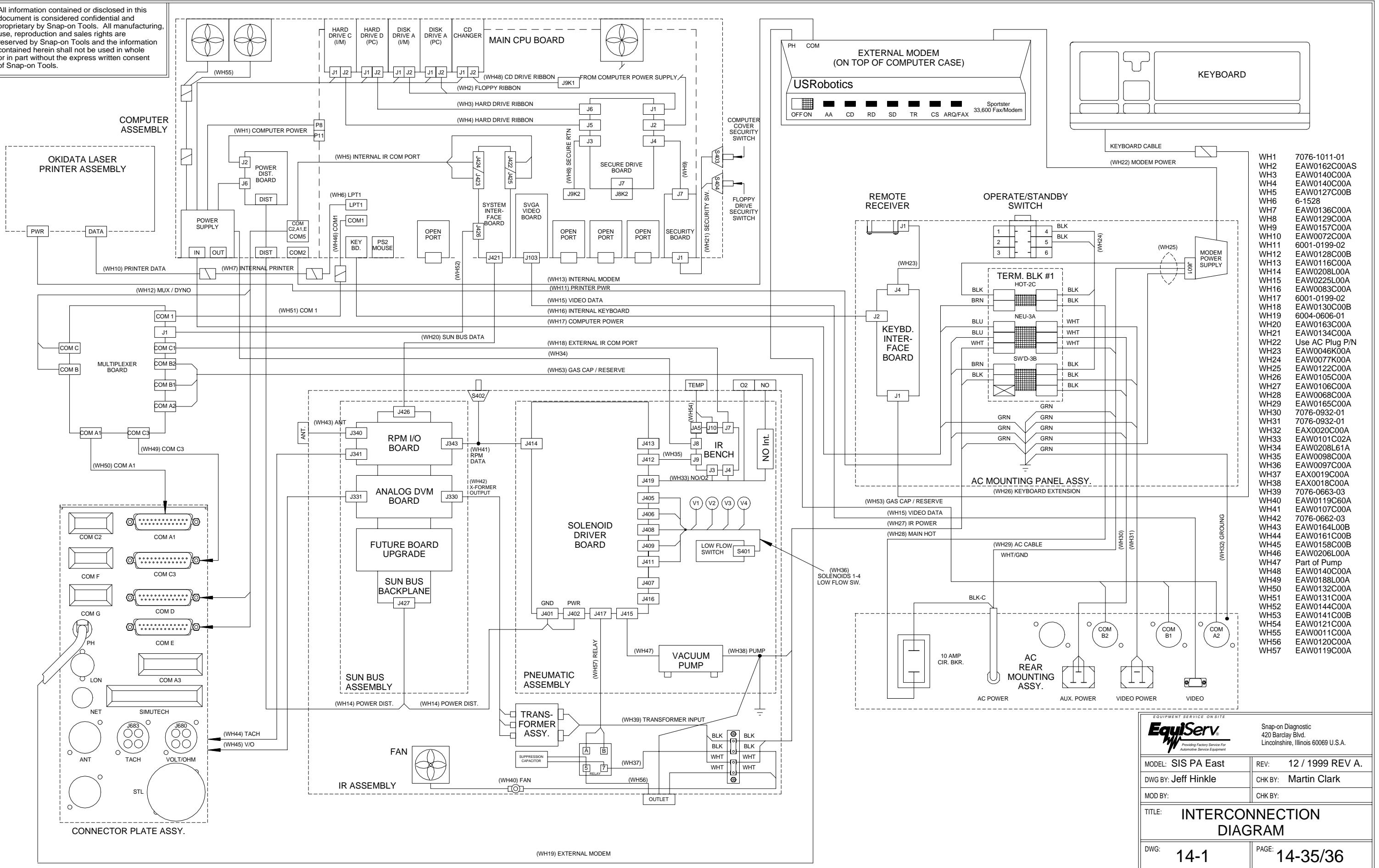
All information contained or disclosed in this document is considered confidential and proprietary by Snap-on Tools. All manufacturing, use, reproduction and sales rights are reserved by Snap-on Tools and the information contained herein shall not be used in whole or in part without the express written consent of Snap-on Tools.



- WH1 7076-1011-01
- WH2 EAW0162C00AS
- WH3 EAW0140C00A
- WH4 EAW0140C00A
- WH5 EAW0127C00B
- WH6 6-1528
- WH7 EAW0136C00A
- WH8 EAW0129C00A
- WH9 EAW0157C00A
- WH10 EAW0072C00A
- WH11 6001-0199-02
- WH12 EAW0128C00B
- WH13 EAW0116C00A
- WH14 EAW0208L00A
- WH15 EAW0225L00A
- WH16 EAW0083C00A
- WH17 6001-0199-02
- WH18 EAW0130C00B
- WH19 6004-0606-01
- WH20 EAW0163C00A
- WH21 EAW0134C00A
- WH22 Use AC Plug P/N
- WH23 EAW0046K00A
- WH24 EAW0077K00A
- WH25 EAW0122C00A
- WH26 EAW0105C00A
- WH27 EAW0106C00A
- WH28 EAW0068C00A
- WH29 EAW0165C00A
- WH30 7076-0932-01
- WH31 7076-0932-01
- WH32 EAX0020C00A
- WH33 EAW0109C00A
- WH34 EAW0208L61A
- WH35 EAW0098C00A
- WH36 EAW0097C00A
- WH37 EAW0112C00A
- WH38 EAX0018C00A
- WH39 7076-0663-03
- WH40 EAW0119C60A
- WH41 EAW0107C00A
- WH42 7076-0662-03
- WH43 EAW0164L00A
- WH44 EAW0161C00B
- WH45 EAW0158C00B
- WH46 EAW0206L00A
- WH47 Part of Pump
- WH48 EAW0140C00A
- WH49 EAW0188L00A
- WH50 EAW0132C00A
- WH51 EAW0131C00A
- WH52 EAW0144C00A
- WH53 EAW0141C00B
- WH54 EAW0121C00A
- WH55 EAW0011C00A

EquipServ <small>Providing Factory Service For Automotive Service Equipment</small>		<small>EQUIPMENT SERVICE ON SITE</small> Snap-on Diagnostic 420 Barday Blvd. Lincolnshire, Illinois 60069 U.S.A.	
MODEL: SIS PA West	REV: 12 / 1999 REV A.	CHK BY: Martin Clark	
DWG BY: Jeff Hinkle		MOD BY:	
TITLE: INTERCONNECTION DIAGRAM			
DWG: 14-1	PAGE: 14-33/34		

All information contained or disclosed in this document is considered confidential and proprietary by Snap-on Tools. All manufacturing, use, reproduction and sales rights are reserved by Snap-on Tools and the information contained herein shall not be used in whole or in part without the express written consent of Snap-on Tools.



- WH1 7076-1011-01
- WH2 EAW0162C00AS
- WH3 EAW0140C00A
- WH4 EAW0140C00A
- WH5 EAW0127C00B
- WH6 6-1528
- WH7 EAW0136C00A
- WH8 EAW0129C00A
- WH9 EAW0157C00A
- WH10 EAW0072C00A
- WH11 6001-0199-02
- WH12 EAW0128C00B
- WH13 EAW0116C00A
- WH14 EAW0208L00A
- WH15 EAW0225L00A
- WH16 EAW0083C00A
- WH17 6001-0199-02
- WH18 EAW0130C00B
- WH19 6004-0606-01
- WH20 EAW0163C00A
- WH21 EAW0134C00A
- WH22 Use AC Plug P/N
- WH23 EAW0046K00A
- WH24 EAW0077K00A
- WH25 EAW0122C00A
- WH26 EAW0105C00A
- WH27 EAW0106C00A
- WH28 EAW0068C00A
- WH29 EAW0165C00A
- WH30 7076-0932-01
- WH31 7076-0932-01
- WH32 EAX0020C00A
- WH33 EAW0101C02A
- WH34 EAW0208L61A
- WH35 EAW0098C00A
- WH36 EAW0097C00A
- WH37 EAX0019C00A
- WH38 EAX0018C00A
- WH39 7076-0663-03
- WH40 EAW0119C60A
- WH41 EAW0107C00A
- WH42 7076-0662-03
- WH43 EAW0164L00B
- WH44 EAW0161C00B
- WH45 EAW0158C00B
- WH46 EAW0206L00A
- WH47 Part of Pump
- WH48 EAW0140C00A
- WH49 EAW0188L00A
- WH50 EAW0132C00A
- WH51 EAW0131C00A
- WH52 EAW0144C00A
- WH53 EAW0141C00B
- WH54 EAW0121C00A
- WH55 EAW0011C00A
- WH56 EAW0120C00A
- WH57 EAW0119C00A

EquipServ <small>Providing Factory Service For Automotive Service Equipment</small>		<small>EQUIPMENT SERVICE ON SITE</small> Snap-on Diagnostic 420 Barday Blvd. Lincolnshire, Illinois 60069 U.S.A.	
MODEL: SIS PA East	REV: 12 / 1999 REV A.	DWG BY: Jeff Hinkle	CHK BY: Martin Clark
MOD BY:	CHK BY:	TITLE: INTERCONNECTION DIAGRAM	
DWG: 14-1	PAGE: 14-35/36		