

CHAPTER 13

PARTS

GENERAL

The MGA-9000 is designed to be used as an Emissions Analyzer. Each State has different standards and regulations. This chapter will list all parts that are available for the MGA-9000, regardless of what state you are located in. To find out what exactly is required by a particular state, refer to the Differences in Appendix D or the Parts listed in alphabetical or numerical order. This Manual is written around the California Bar Program, that incorporates most of the MGA-9000's capabilities.

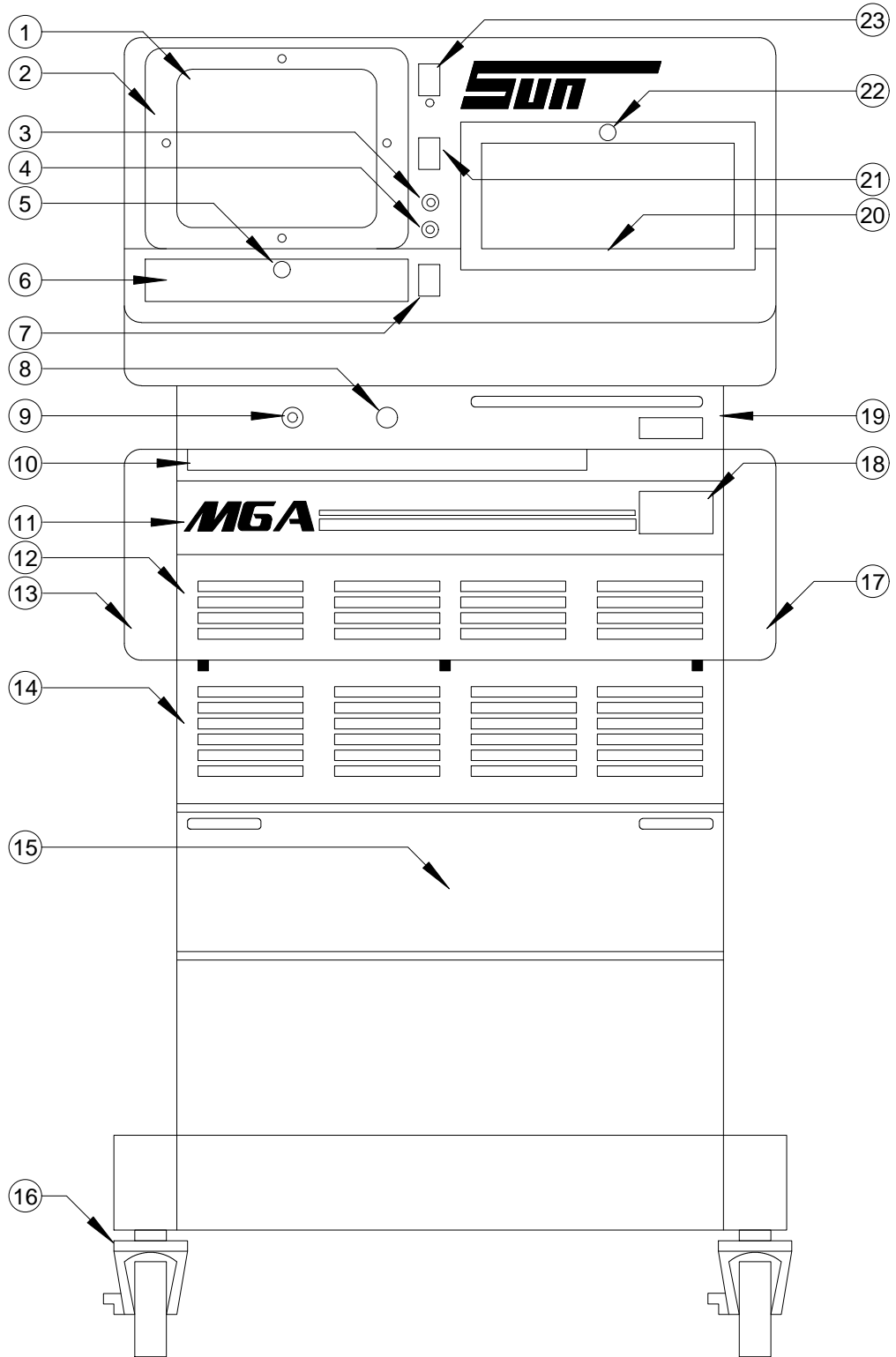
To list all the parts used in this unit would be impracticable, therefore we list all the parts needed to repair common failures. The Parts Chapter is divided into three different sections, Pictorial By Section, By Description, and an Interconnecting Diagram, that list all wiring harnesses and their associated part numbers.

Some of the parts listed in this chapter fall under the category of Production Parts. Production Parts are not normally made available for field orders, but in some cases, they can be obtained. Examples of Production Parts are; (sheet metal parts, wiring harnesses, etc.), some of these will be found in the Pictorial Description, and the Interconnecting Diagram.

A Production Part will be noted by an "*" following the part number (i.e. Printer Door 7020-1941-01*). If a Production part is required, it must be ordered through normal channels, however, the order will be verified before it is built and shipped. **Production Parts will require time for delivery due to the part having to be built before it is shipped.**

PARTS BY PICTORIAL

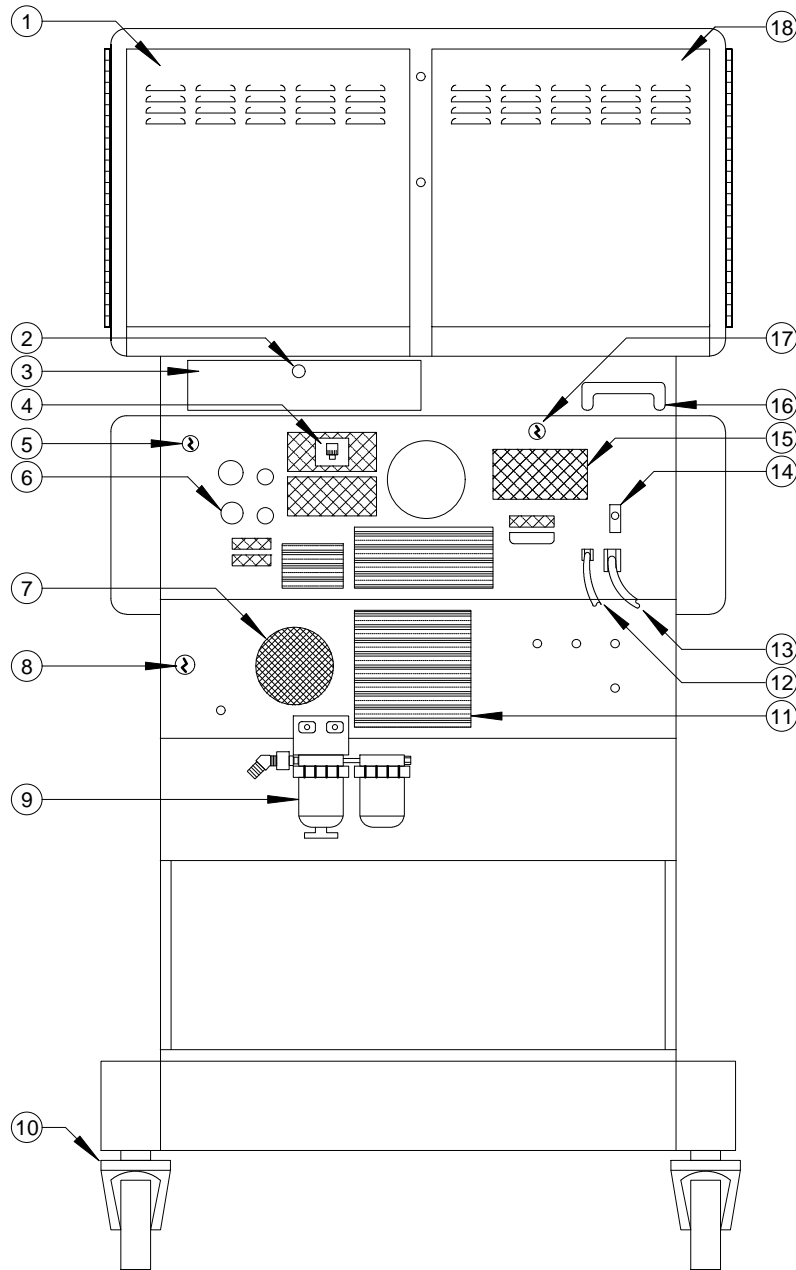
FRONT VIEW



FRONT VIEW PART NUMBERS

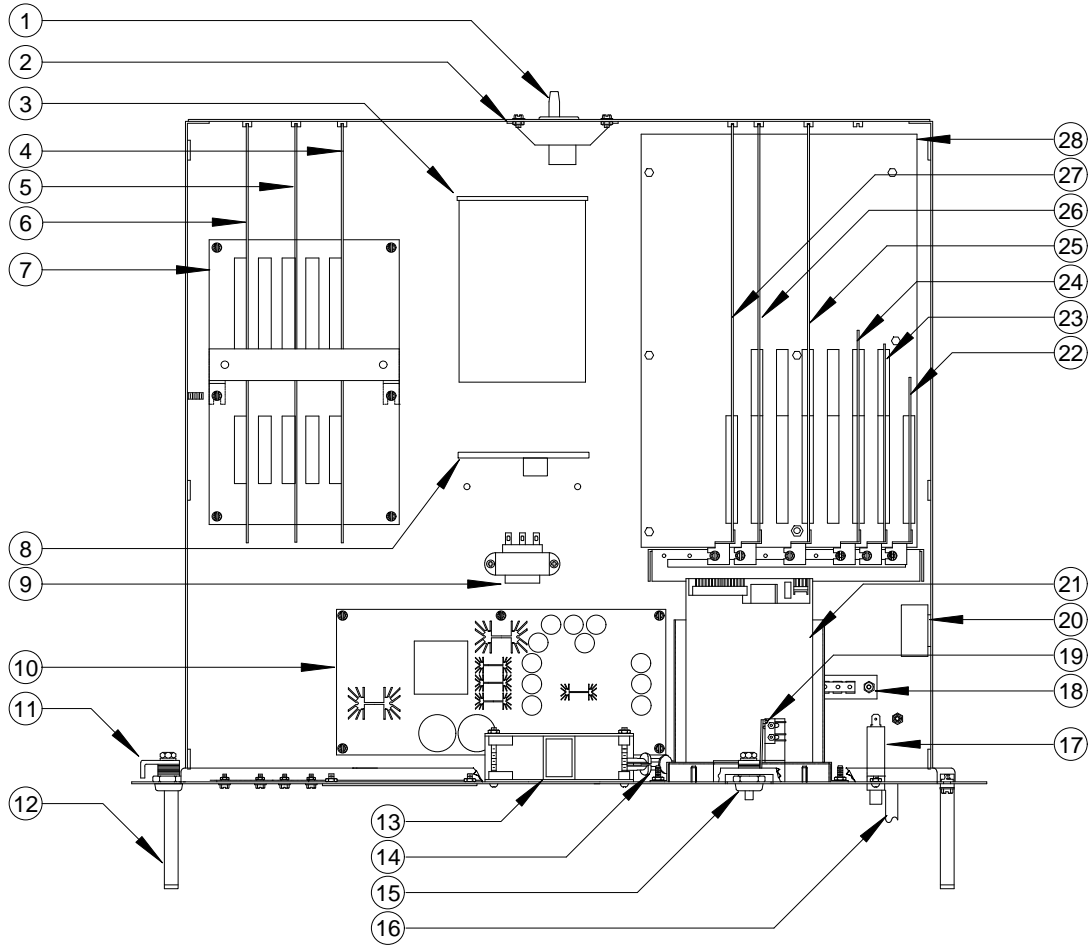
| ITEM | DESCRIPTION | PART NUMBER | ITEM | DESCRIPTION | PART NUMBER |
|------|-----------------------|--------------|------|-----------------------|---------------|
| 1a | Monitor Assy., Mono | 7009-2030-01 | 13 | Panel, Left | 7054-0109-01 |
| 1b | Monitor Assy., Color | 0859-0418-01 | 14a | Panel, Lower Filter | 7005-2317-01 |
| 2a | Bezel, Mono | 7034-0035-01 | 14b | Filter, 6" Air | 0301-0138-01 |
| 2b | Bezel, Color | 7034-0036-01 | 15a | Printer, Okidata | 0528-0016-01 |
| 3a | Pot, Mono Brightness | 0685-0430-04 | 15b | Printer, AMT | 0528-0029-01 |
| 3b | Pot, Color Brightness | 0685-0430-06 | 15c | Paper, Plain | 0528-0995 |
| 3c | Cap, Grey | 0758-0197-01 | 15d | Paper, Double | 0528-1011 |
| 3d | Knob, Black | 0758-0196-01 | 16 | Caster (with brake) | 3645-0045-02 |
| 3e | Nut | 0409-0029 | 17 | Panel, Right | 7054-0109-02 |
| 4a | Pot, Mono Contrast | 0685-0430-05 | 18a | Label, CA. | 0682-0811-01 |
| 4b | Pot, Color Contrast | 0685-0430-03 | 18b | Label, TX | 0682-0812-01 |
| 4c | Cap, Grey | 0758-0197-01 | 18c | Label, MO. | 0682-0825-01 |
| 4d | Knob, Black | 0758-0196-01 | 18d | Label, NC. | 0682-0823-01 |
| 4e | Nut | 0409-0029 | 18e | Label, NY. | 0682-0823-01 |
| 5 | Lock, PC Drive | 5666-0037-01 | 18f | Label, NV. | EAL0046C00A |
| 6a | Drive, CD-ROM | 0552-0946-06 | 18g | Label, AK. | 0682-1112-01 |
| 6b | Drive, 1.44M Disk | 0552-0064-01 | 18h | Label, UT. | 0682-0904-01 |
| 7 | Switch, Reset | 0764-0241-01 | 18i | Label, CO | EAL0092C00A |
| 8 | Harness, Keyboard | 7076-0648-01 | 19 | Pedestal, Headframe | 7020-1936-01 |
| 9a | Knob, Collet Volume | 0758-0193-01 | 20a | Printer, Okidata | 0528-0016-01 |
| 9b | Knob, Cap Volume | 0758-0194-01 | 20b | Door, Printer | 7020-1941-01* |
| 9c | Pot, Volume | 0685-0451-02 | 20c | Printer, Brake Assy. | 7009-2078-01 |
| 10a | Keyboard | 0552-0990-01 | 20d | Spring, Compression | 0711-0244-01 |
| 10b | Skin, Keyboard | 0552-0993-01 | 20e | Solenoid, Break | 0519-0008-01 |
| 10c | Overlay, Keyboard | 0682-1041-01 | 20f | Printer, Knob | 0528-1048-01 |
| 11 | Label, MGA | 0682-0806-01 | 21 | Switch, Pump | 0764-0231 |
| 12a | Panel, Upper Filter | 7005-2318-01 | 22a | Lock, Printer Door | 5666-0043-01 |
| 12b | Filter, 4¾" Air | 0301-0137-01 | 22b | Key, Master (Service) | 5666-0044-01 |

REAR VIEW



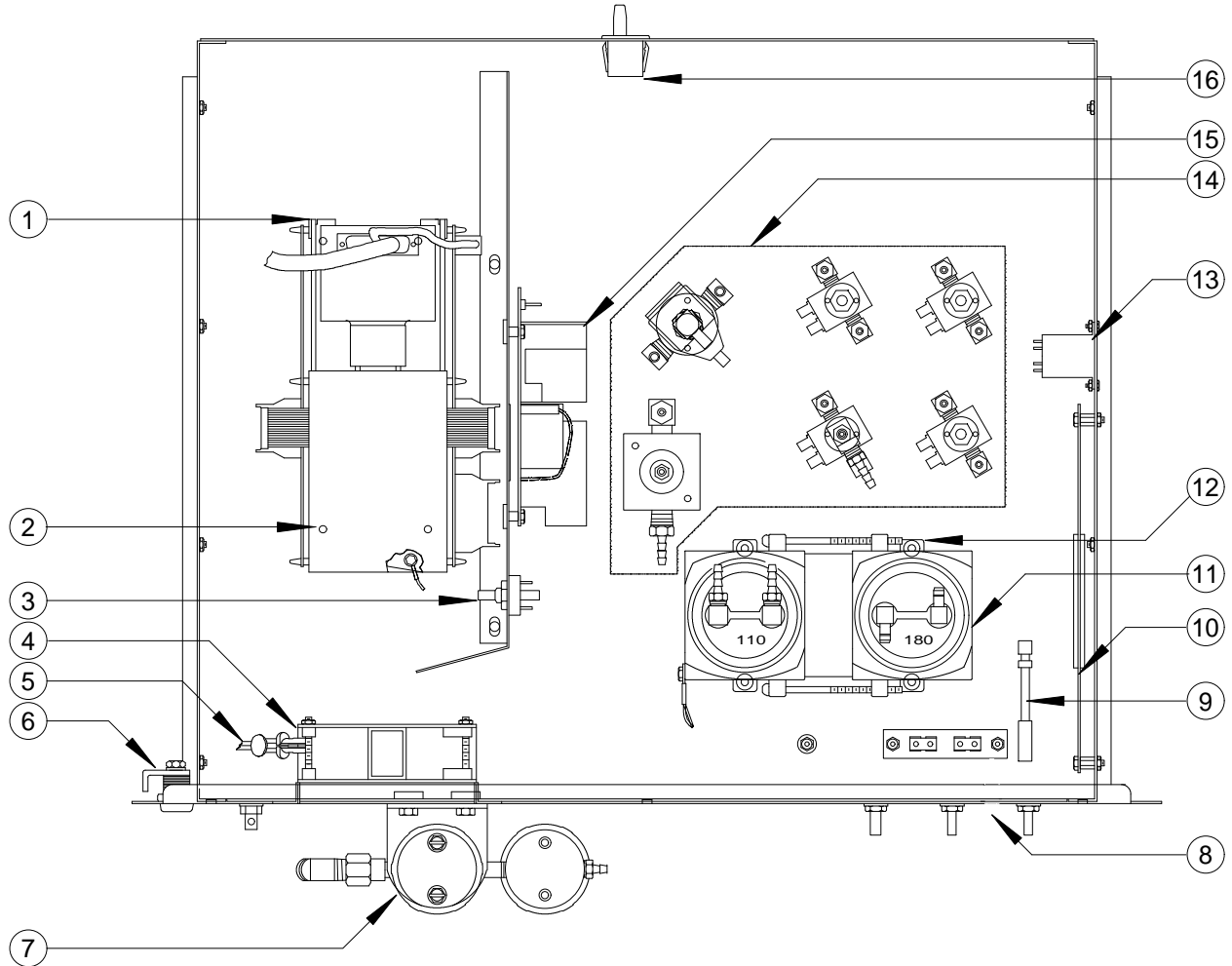
| ITEM | DESCRIPTION | PART NUMBER | ITEM | DESCRIPTION | PART NUMBER |
|------|----------------------|---------------|------|----------------------|---------------|
| 1 | Panel, Rear Printer | 7020-1934-01* | 9 | Filter Assy. | See Page 13-7 |
| 2 | Latch Set | 5666-0031 | 10 | Caster, w/o Brake | 3645-0045-01 |
| 3 | Door, VIR | 7005-2330-01 | 11 | Label, Filter Maint. | 0682-0807-01 |
| 4 | Jack, Modem | 4162-0496 | 12 | Cable, Phone | 6004-0606-01 |
| 5 | Lock, Comp. Security | 5666-0035-01 | 13 | Cable, AC | 6001-0177-01 |
| 6a | Connector, 4-Pin | 4162-0831 | 14 | Switch, ON/OFF | 1922-0113-25 |
| 6b | Pin, Contact | 4162-0940 | 15 | Drive, 1.44M Disk | 0552-0064-01 |
| 6c | Pin, Keying | 4162-0916 | 16 | Bracket, Cable | 7012-1205-01* |
| 6d | O-ring | 4162-0937 | 17 | Lock, Drive Security | 5666-0036-01 |
| 7 | Filter, Fan | 0301-0126 | 18 | Panel, Rear Monitor | 7020-1935-01* |
| 8 | Lock, IR Security | 5666-0035-01 | | | |

COMPUTER DRAWER



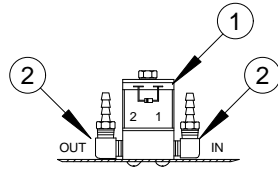
| ITEM | DESCRIPTION | PART NUMBER | ITEM | DESCRIPTION | PART NUMBER |
|------|------------------------|--------------|------|-------------------------|--|
| 1 | Switch, Comp. Security | 0799-0237-01 | 15 | Lock, Drive Door | 5666-0036-01 |
| 2 | Speaker | 0514-0305 | 16 | Cord, AC Power | 6001-0177-01 |
| 3 | Drive, 540MB Hard | 0552-0115-02 | 17 | Switch, ON/OFF | 1922-0113-25 |
| 4 | Board, RPM I/O | EAP0127C00A | 18 | Varistor Assy. | 7009-1982-01 |
| 5 | Board, ALDL | 7001-0543-01 | 19 | Switch, Drive Security | 2207-0028-01 |
| 6a | Board, DVM | 7001-2064-01 | 20 | Battery | 0768-0021-01 |
| 6b | Board, DVM w/Temp | 7001-2064-02 | 21 | Drive, 1.44M Disk | 0552-0064-01 |
| 7 | Board, Sun Bus | 7001-2053-01 | 22 | Board, VGA | 7001-2052-01 |
| 8a | Board, PC Option | 7001-2074-01 | 23a | Board, Ext. Memory | 7001-2089-01 |
| 8b | Board, PC Option (TX) | 7001-2074-02 | 23b | Board, Ext. Memory | 7001-2299-01 |
| 9 | Transformer, 24VAC | 0778-0481-05 | 24a | Board, 2400 Modem | 0552-0066-01 |
| 10 | Board, Power Supply | 0532-0018 | 24b | Board, 14.4 Modem | 7001-2316-01 |
| 11 | Lock, Computer Drawer | 5666-0035-01 | 25a | Board, 286 CPU | 7001-2058-01 7001-2058-02 7001-2058-03 |
| 12 | Hanger, Lead | 2161-0023 | 25b | Board, 386SX CPU | EAP0010C06A |
| 13 | Fan, 115VAC | 0587-0504 | 26 | Board, System Interface | 7001-2061-01 7001-2081-01 |
| 14 | Lead Assy., Fan | 6004-0360 | 27 | Board, System Storage | 7001-2063-01 7001-2082-01 7001-2099-01 |
| | | | 28 | Board, Passive Plane | 7001-2059-01 |

IR DRAWER

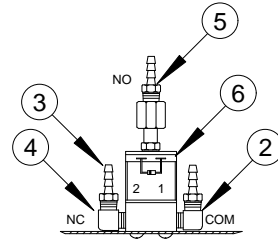


| ITEM | DESCRIPTION | PART NUMBER | ITEM | DESCRIPTION | PART NUMBER |
|------|-----------------------|---------------|------|------------------------|---------------|
| 1 | Bench, IR | 7049-0125-01 | 9 | Cable, Pump Sense | 7009-2026-01 |
| 2 | Mount, Shock | 0561-0142 | 10 | Board, Solenoid Driver | 7001-2060-01 |
| 3 | Switch, Low Flow | 0549-0019-02 | 11 | Pump, Vacuum | 0303-0104-01 |
| 4 | Fan, 115VAC | 0587-0504 | 12 | Mount, Shock | 0561-0139 |
| 5 | Lead Assy., Fan | 6004-0360 | 13 | Relay, Pump | 0783-0335 |
| 6 | Lock, IR Drawer | 5666-0035-01 | 14 | Solenoids | See Page 13-7 |
| 7 | Filter Assembly | See Page 13-7 | 15 | Board, Power Supply | 0532-0020-01 |
| 8 | Breaker, Pump Circuit | 1922-0091-17 | 16 | Switch, IR Security | 0799-0237-01 |

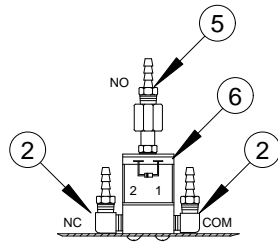
SOLENOIDS/O₂ SENSOR ASSEMBLIES



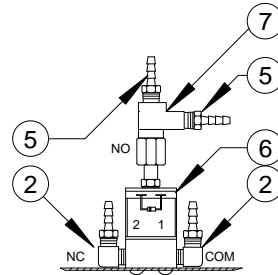
SOLENOID V1



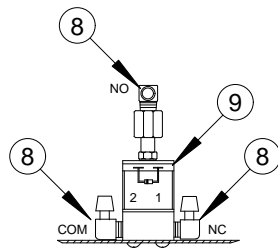
SOLENOID V2



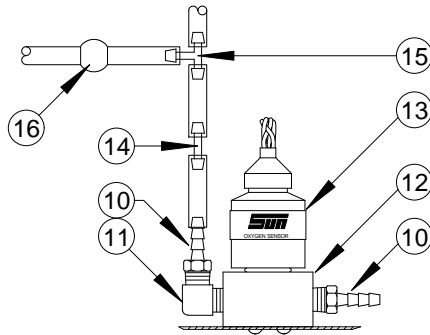
SOLENOID V3



SOLENOID V4



SOLENOID V5



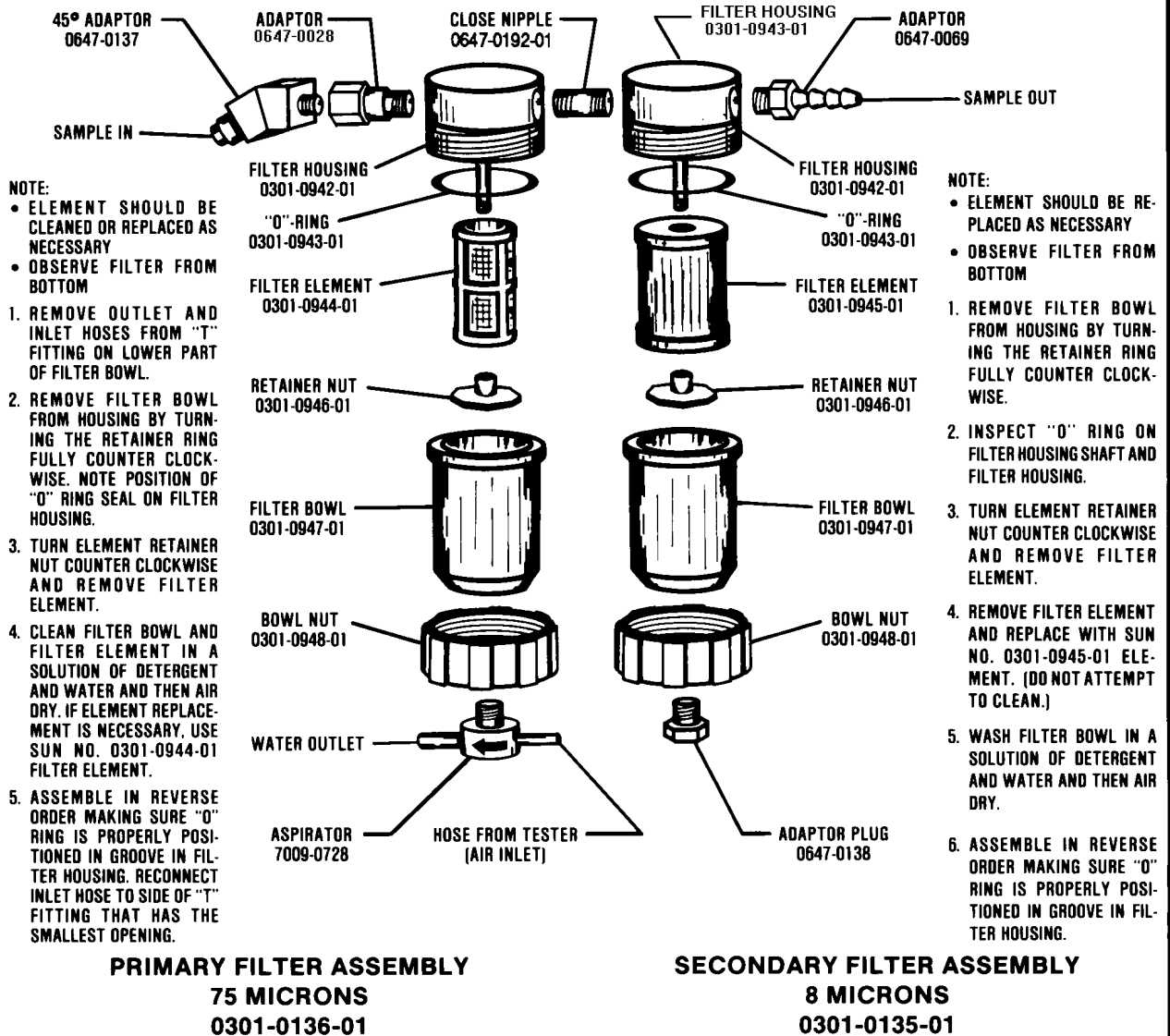
O₂ SENSOR

| ITEM | DESCRIPTION | PART NUMBER | ITEM | DESCRIPTION | PART NUMBER |
|------|----------------------|--------------|------|-----------------------|--------------|
| 1a | Solenoid, 2-Way | 0304-0045-01 | 9a | Solenoid | 0304-0040 |
| 1b | Diode Assembly | 7009-1486-03 | 9b | Diode Assembly | 7009-1486-03 |
| 2 | Adapter, Elbow | 0647-0239-01 | 10 | Fitting, Barbed 1/4" | 0647-0073 |
| 3 | Fitting, Barbed 1/8" | 0647-0070 | 11 | Elbow, 1/4" | 0647-0083 |
| 4 | Adapter, Elbow 90 | 0647-0044 | 12 | Block, O ₂ | 7002-0207-01 |
| 5 | Fitting, Barbed 1/8" | 0647-0069 | 13 | O ₂ Sensor | 7049-0004-01 |
| 6a | Solenoid, 3-Way | 0304-0044-01 | 14 | Restrictor, Flow | 3841-0111-01 |
| 6b | Diode Assembly | 7009-1486-03 | 15 | Tee, Barbed | 0647-0102 |
| 7 | Adapter, "T" | 0647-0208-01 | 16 | Restrictor, Flow | 3841-0101-02 |
| 8 | Adapter, Elbow | 0647-0193-01 | | | |

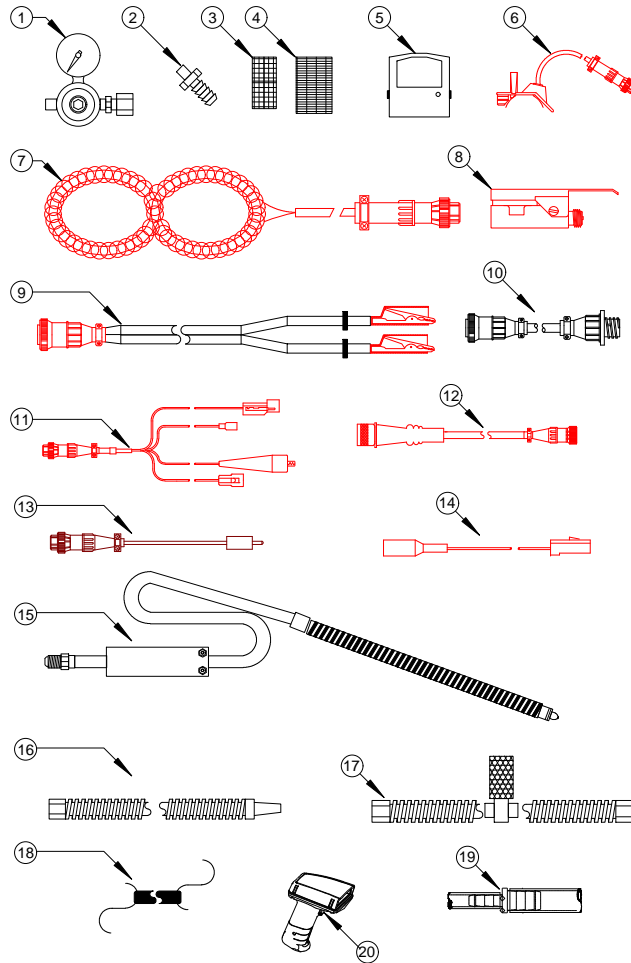
FILTER MAINTENANCE

FILTER MAINTENANCE

WHEN THE "LOW FLOW CHECK FILTER" WARNING LIGHT COMES ON DURING VEHICLE TESTING, THE SAMPLE FILTERS MUST BE SERVICED. WHEN SERVICING FILTERS BE SURE THAT ALL SEALS ARE PROPERLY POSITIONED, AND THE UNITS ARE RE-ASSEMBLED SNUGLY, TO ELIMINATE THE POSSIBILITY OF OUTSIDE AIR BEING DRAWN INTO THE ANALYZER DURING VEHICLE TESTS.



OPTIONS & ACCESSORIES



| ITEM | DESCRIPTION | PART NUMBER | ITEM | DESCRIPTION | PART NUMBER |
|------|------------------------|--------------|------|--------------------------|--------------|
| 1 | Regulator, Flow | 0131-0024 | 17 | Hose, Single Exhaust | 3988-0230-01 |
| 2 | Fitting, Regulator | 0647-0069 | 17a | Adapter, Quick Release | 0647-0194-01 |
| 3 | Filter, 75 Micron | 0301-0944-01 | 18 | Strap, Rubber | 0144-0010-01 |
| 4 | Filter, 8 Micron | 0301-0945-01 | 19 | Adapter, Leak Check | 7009-1700 |
| 5 | Ribbon, Printer | 0528-0995 | 20a | Bar Code Scanner (LED) | 0552-0113-01 |
| 6 | Adapter, HEI | 1747-0106 | 20b | Bar Code Scanner (Laser) | 0552-0071-01 |
| 7a | Adapter, Antenna | 7009-2037-01 | 20c | Bar Code Scanner (2D) | 0552-0114-01 |
| 7b | Lead, Antenna | 6004-0614-01 | 20d | Cable (Laser Only) | 0552-0975-01 |
| 8 | Pickup, Trigger | 7009-1929 | 20e | Cable (2D) | EAW0045C00A |
| 9 | Lead, Volt/Ohm | 6004-0462 | 20f | Clip (Laser Only) | 0552-0976-01 |
| 10a | Lead, Blue Tach | 6004-0566-01 | NS | Hose, Mid Cal 1 | 7009-2035-02 |
| 11 | Adapter, Nissan\Quad-4 | 6005-0181-01 | NS | Hose, Low Cal 1 | 7009-2035-03 |
| 12 | Lead, Red Tach | 6004-0262-05 | NS | Hose, Low Cal 2 | 7009-2035-01 |
| 13a | Adapter, BMW | 6005-0184-01 | NS | Hose, Zero Cal 2 | 7009-2035-04 |
| 13b | Adapter, Acura | 6005-0184-02 | NS | Restrictor, Hose | 3841-0111-05 |
| 14 | Adapter, 300ZX | 7009-2223-01 | NS | Hose, 1/4" Poly | 0669-0220 |
| 15a | Probe, Exhaust Assy. | 7009-1869 | NS | Hose, 3/16" Poly | 0669-0229 |
| 15b | Probe, Exhaust Tip | 7015-0081 | NS | Velcro, Loop | 0424-0804-01 |
| 16 | Hose, Dual Exhaust | 3988-0231-01 | NS | Velcro, Hook | 0424-0804-02 |

PARTS IN ALPHABETICAL ORDER

| <u>DESCRIPTION</u> | <u>PART NUMBER</u> | <u>COMMENTS</u> |
|------------------------------------|--------------------|--|
| "O"-Ring | 0301-0943-01 | Filter Bowl O-Ring |
| "O"-Ring | 4162-0937 | See Page 13-5 |
| AC Power Cord | 6001-0177-01 | |
| Adapter | 0647-0028 | See Page 13-8 |
| Adapter, "T" | 0647-0208-01 | |
| Adapter, 45° | 0647-0137 | Off of Primary Filter Assembly, See Page 13-8 |
| Adapter, Elbow | 0647-0193-01 | |
| Adapter, Elbow | 0647-0239-01 | |
| Adapter, Elbow 90 | 0647-0044 | |
| Adapter, Leak Check | 7009-1700 | Large (for Probe) to Small (for port) Hose Adapter |
| Adapter, Nissan 300ZX | 7009-2223-01 | RPM Adapter for Nissan 300ZX |
| Adapter, Nissan Pulsar | 6005-0178-01 | RPM Adapter for Nissan Pulsar |
| Adapter, Plug | 0647-0138 | See Page 13-8 |
| Adapter, Quad 4 | 6005-0179-01 | RPM Adapter for Quad 4 |
| Air Filter, 4 3/4" | 0301-0137-01 | |
| Air Filter, 6" | 0301-0138-01 | |
| Aspirator | 7009-0728 | Bottom of the Primary Filter Bowl |
| Bar Code Bracket | 7020-1956-01* | For Laser Type Bar Code Scanner |
| Bar Code Cable Assy. | 0552-0975-01 | For Laser Type Bar Code Scanner |
| Bar Code Cable Assy. | EAW0045C00A | For 2D Type Bar Code Scanner |
| Bar Code Retaining Clip | 0552-0976-01 | For Laser Type Bar Code Scanner |
| Bar Code Scanner (2D) | 0552-0114-01 | 2D Scanner |
| Bar Code Scanner (L.E.D.) | 0552-0113-01 | 2D Bar Code Scanner For Colorado <u>Only</u> |
| Bar Code Scanner (Laser) | 0552-0071-01 | Laser Bar Code Scanner |
| Battery, CPU | 0768-0021-01 | Not needed for Siemens CPU |
| Bench, Sensors | 7049-0125-01 | |
| Block, O ² | 7002-0207-01 | |
| Board, 386 CPU | EAP0010C06A | With 2 Meg of Memory |
| Board, 486 CPU | EAP0043C01 | With 4 Meg of Memory |
| Board, ALDL | 7001-0543-01 | |
| Board, DVM Analog | 7001-2064-01 | |
| Board, Memory Expansion | 7001-2089-01 | Old Style |
| Board, Memory Expansion | 7001-2299-01 | New Style |
| Board, Modem | 0552-0066-01 | 2400 Baud Modem |
| Board, NCR 286 CPU | 7001-2058-01 | Uses Separate Battery |
| Board, Passive Backplane | 7001-2059-01 | Old Style |
| Board, PC Option | 7001-2074-01 | Located Behind Hard Drives in Computer Drawer |
| Board, PC Option (TX Only) | 7001-2074-01 | PC Option Board for Texas Only |
| Board, RPM I/O | EAP0127C00A | |
| Board, Solenoid Driver | 7001-2060-01 | |
| Board, Sun Bus Backplane | 7001-2053-01 | DVM Analog Bd, ALDL Bd, and RPM I/O Bd. plug into it |
| Board, Sys Interface | 7001-2061-01 | Old Style |
| Board, Sys Storage | 7001-2063-01 | Old Style |
| Board, VGA Video | 7001-2052-01 | Obsolete, Use 7001-2052-01 |
| Brake Arm Assembly | 7009-2041-01 | |
| Cable Bracket | 7012-1205-01* | |
| Cable Certificate Printer AC Power | EAW0035C00A | Colorado Certificate AC Power Cable |
| Cable Certificate Printer DC Power | EAW0036C01A | Colorado Certificate DC Power Cable |
| Cable, 2D Scanner | EAW0039C00A | Colorado Scanner, From Scanner to Back Panel |
| Cable, Certificate Printer Data | EAW0038C00A | Data Cable from the Converter (P to S) to the Printer |
| Cable, Pressure Cap Tester | EAW0040C00A | Data Cable from Interface Bd. to Pressure Cap Test Bd. |
| Cable, Video | 6004-0604-01 | |
| Caster W/O Brake | 3645-0045-01 | |
| Caster with Brake | 3645-0045-02 | |
| Circuit Breaker, IR Pump | 1922-0091-17 | |

| <u>DESCRIPTION</u> | <u>PART NUMBER</u> | <u>COMMENTS</u> |
|-------------------------------|---------------------------|--|
| Color, Cardinal Monitor | 0859-0415-01 | No Longer Available |
| Color, Mag Monitor | 0859-0418-01 | If converting from cardinal use 1095-0169-01 |
| Color, Monitor Bezel | 7034-0036-01 | |
| Connector, 4-Pin | 4162-0831 | See Page 13-5 |
| Converter, Parallel to Serial | 0514-5022-01 | Colorado Certificate Printer Data Converter |
| Diode Assembly | 7009-1486-03 | |
| Diode Assembly | 7009-1486-03 | |
| Diode Assembly | 7009-1486-03 | |
| Diode Assy. (Relay) | 7009-1486-05 | Pump Relay Diode (attaches across Pump relay) |
| Diode Assy. (Solenoid) | 7009-1486-03 | Attaches across Solenoid Assemblies |
| Door (VIR) | 7005-2330-01* | |
| DOS 4.01 PC Install Disk | 0552-0953A07 | Used on most PC Options when minimum PC is installed |
| DOS 5.0 PC Install Disk | 0552-0953B10 | Must be used on machines with DOS 4.01 installing VIP's |
| DOS 6.22 PC Install Disk | 0552-0953B16 | Used only in states with DOS 6.22 standard on I/M side |
| DOS, 1.44 Floppy | 0552-0072-01 | Blank Unformatted Floppy Disk |
| DOS, Microsoft 4.01 | 0552-0070-01 | Licensed Copy of Microsoft DOS |
| DOS, Microsoft 5.0 | 0552-0082-01 | Licensed Copy of Microsoft DOS |
| DOS, Microsoft 6.22 | 0552-0104-01 | Licensed Copy of Microsoft DOS |
| Drive, 170MB (IM/PC) | 0552-0098-01 | |
| Drive, 3.5" (State/PC) | 0552-0064-01 | Must be configured for D0, See Configuration Manual |
| Drive, 540MB (IM/PC) | 0552-0115-02 | See Configuration Manual |
| Drive, CD ROM | 552-0946-06 | |
| Elbow, ¼" | 0647-0083 | |
| Fan Filter, (IR) | 0301-0126 | |
| Fan Lead Assy. | 6004-0360 | AC Fan Power Lead |
| Fan, 115VAC | 0587-0504 | Computer and IR Drawer Fan |
| Filter (75 micron) | 0301-0944-01 | Primary Filter Element |
| Filter (8 micron) | 0301-0945-01 | Secondary Filter Element |
| Filter Assy. (75 Micron) | 0301-0136-01 | Primary Filter Assy. |
| Filter Assy. (8 Micron) | 0301-0135-01 | Secondary Filter Assy. |
| Filter Bowl | 0301-0947-01 | Primary and Secondary Bowl |
| Filter Bowl Nut | 0301-0948-01 | Primary and Secondary Nut |
| Filter Housing | 0301-0942-01 | Primary and Secondary Filter Housing |
| Fitting, Barbed ¼" | 0647-0073 | |
| Fitting, Barbed 1/8" | 0647-0069 | |
| Fitting, Barbed 1/8" | 0647-0070 | |
| Flow Restrictor (Inline) | 3841-0111-01 | In-Line Flow Restrictor going to O2 Sensor |
| Flow Restrictor (Tank) | 3841-0111-05 | In-Line Flow Restrictor for Calibration Gases |
| Flow Restrictor, (Hose) | 3841-0101-02 | Hose type Flow Restrictor for Low Flow Switch |
| Headframe Pedestal | 7020-1936-01* | |
| Hole Plug, Base | 1374-0110-01 | Black Plastic Plug to fit in holes in pedestal |
| Hose Assembly, Dual | 3988-0231-01 | Used for Dual Exhaust Vehicle Systems |
| Hose Assembly, Exhaust | 3988-0230-01 | Exhaust Hose with quick disconnect for Dual Exhaust |
| Hose Protector | 0758-0200-01 | Yellow cap for threaded hose end |
| Hose Quick Disconnect | 0647-0194-01 | Quick Disconnect fitting for Dual Exhaust |
| Hose, Low Cal I | 7009-2035-03 | Cal. Gas Tubing with "Low Cal I" Label |
| Hose, Low Cal II | 7009-2035-01 | Cal. Gas Tubing with "Low Cal II" Label |
| Hose, Mid Cal I | 7009-2035-02 | Cal. Gas Tubing with "Mid Cal I" Label |
| Hose, Zero Cal II | 7009-2035-04 | Cal. Gas Tubing with "Zero Cal II" Label |
| Inductor Assembly | 7009-2026-01 | |
| Key Skin, 101 Key Keyboard | 0552-0993-01 | Keyboard Overlay for 101 Key Keyboard |
| Keyboard | 0552-0063-02 | |
| Keyboard Label | 0682-1041-01 | Keyboard Label to template the keyboard for special keys |
| Keyboard, 101 key | 0552-0990-01 | 101 key keyboard, need keyboard label |

| <u>DESCRIPTION</u> | <u>PART NUMBER</u> | <u>COMMENTS</u> |
|----------------------------------|---------------------------|---|
| Knob, Cap Volume | 0758-0194-01 | See Page 13-4 |
| Knob, Collet Volume | 0758-0193-01 | See Page 13-4 |
| Label, AK | 0682-1112-01 | Front Panel State Sticker |
| Label, CA. | 0682-0811-01 | Front Panel State Sticker |
| Label, CO | EAL0092C00A | Front Panel State Sticker |
| Label, Filter Maintenance | 0682-0807-01 | See Page 13-5 |
| Label, MGA | 0682-0806-01 | Front Panel State Sticker |
| Label, MO. | 0682-0825-01 | Front Panel State Sticker |
| Label, NC | 0682-0823-01 | Front Panel State Sticker |
| Label, NV | EAL0046C00A | Front Panel State Sticker |
| Label, Service | 0682-0808-01 | Front Panel State Sticker |
| Label, TX. | 0682-0812-01 | Front Panel State Sticker |
| Label, UT | 0682-0904-01 | Front Panel State Sticker |
| Latch Set | 5666-0031 | |
| Lead Assembly, Tach | 6004-0566-01 | Long Blue Tachometer Lead |
| Lead Assembly, Trigger | 6004-0262-05 | 6" Red Adapter from Long Blue Lead to Trigger Pick-up |
| Lead Assembly, Volt/Ohm | 6004-0462 | Volt / Ohm Leadset for Volt / Ohmmeter Functions |
| Lead Hanger | 2161-0023 | Black Hanger for hanging leads. |
| Lead, Antenna | 6004-0614-01 | Long lead from rear panel to figure 8 antenna |
| Left Panel W/O Handle | 7054-0109-01 | |
| Lock (Cert. Master Key) | 5666-0044-01 | Certificate Lock Master Key (FOR TECHNICIANS ONLY) |
| Lock (Cert. Printer) | 5666-0043-01 | Certificate Printer Lock |
| Lock, Dummy | 5666-0037-01 | |
| Lock, IM Security | 5666-0036-01 | State Drive Lock |
| Lock, IR | 5666-0035-01 | Emissions and Computer Lock |
| Lower Filter Panel | 7005-2317-01 | |
| Modem External Cable | 6004-0606-01 | Modem Cable from Machine to Wall Outlet |
| Modem Internal Cable | 6004-0536-01 | From Back Panel Jack to Modem |
| Modem Jack | 4162-0496 | Rear panel Modem (Telephone) Jack |
| Monochrome Monitor Assy. | 7009-2030-01 | Entire Monochrome monitor |
| Monochrome Monitor Bezel | 7034-0035-01 | Black front bezel for the Monochrome Monitor |
| Nipple, Close | 0647-0192-01 | See Page 13-8 |
| Nut, Tinnerman | 0407-0094 | |
| O2 Harness | 7076-0811-01 | Use with 3 pin O2 Wiring Harness |
| O2 Sensor | 7049-0004 | Replace with 7049-0004-01 and 7076-0811-01 |
| O ² Sensor | 7049-0004-01 | |
| O2 Sensor | 7049-0004-01 | Replaces 7049-0004, Must use 7076-0811-01 |
| Pickup, Antenna (8) | 7009-2038-01 | Black (Figure 8) Non-Intrusive Trigger Pickup |
| Pick-up, HEI | 1747-0106 | GM RPM Adapter Pickup for HEI Ignitions |
| Pickup, Trigger | 7009-1929 | Black Trigger Pick up |
| Pin, Contact | 4162-0940 | See Page 13-5 |
| Pin, Keying | 4162-0916 | See Page 13-5 |
| Pot, Brightness | 0685-0430-04 | Front Panel Brightness Potentiometer |
| Pot, Color (MAG) Brightness | 0685-0430-06 | Brightness harness and potentiometer for MAG Monitor |
| Pot, Color (MAG) Contrast | 0685-0430-03 | Contrast harness and potentiometer for MAG Monitor |
| Pot, Contrast | 0685-0430-05 | Front Panel Contrast Potentiometer |
| Pot, Volume | 0685-0451-02 | |
| Power Supply Certificate Printer | 0528-1084-02 | Colorado Thermal Certificate Printer |
| Power Supply, Computer | 0532-0018 | |
| Power Supply, IR | 0532-0020-01 | |
| Printer Brake Assy. | 7009-2078-01 | |
| Printer Break Solenoid | 0519-0008-01 | |
| Printer Break Spring | 0711-0244-01 | |
| Printer Door | 7020-1941-01* | |
| Printer Gear | 0698-0013-01* | |
| Printer Knob (Modified) | 0528-1048-01 | Printer knob with holes drilled into it for certificate |

| DESCRIPTION | PART NUMBER | COMMENTS |
|------------------------------------|--------------------|---|
| | | printer |
| Printer Panel | 7020-1944-01* | |
| Printer Paper (Double) | 0528-1011 | Double copy carbonless paper, Use in the Bottom Printer |
| Printer Paper (Single) | 0528-0994-01 | Single copy paper, Use in Bottom Printer |
| Printer Ribbon | 0528-0995 | Okidata Printer Ribbon Cartridge |
| Printer Ribbon | 0528-1065-01 | AMT 24 Pin Printer Ribbon |
| Printer Ribbon | 0528-1085-01 | Thermal Printer Ribbon Cartridge |
| Printer, AMT | 0528-0029-01 | 24 pin Dot Matrix AMT Printer |
| Printer, Okidata 182 Turbo | 0528-0016-01 | 9 pin Dot Matrix printer (Standard in most States) |
| Printer, Thermal | 0528-0030-01 | Colorado Thermal Certificate Printer |
| Probe Anti-Dilution | 7009-2017-01 | For use in Vehicles with muffler baffles |
| Probe Tip | 7015-0081 | Includes bendable portion of probe |
| Probe, Exhaust Assy. | 7009-1869 | Regular Exhaust Probe Assy. (need 2 for dual exhaust) |
| Pump Relay | 0783-0335 | Clear Plastic Relay in Emissions Module |
| Rear Panel, Monitor | 7020-1935-01* | Sheet Metal |
| Rear Panel, Printer | 7020-1934-01* | Sheet Metal |
| Regulator Fitting | 0647-0069 | Nipple Fitting for Gas Regulator |
| Regulator, Flow | 0131-0024 | For Gas Bottles |
| Restrictor, Flow | 3841-0101-02 | |
| Restrictor, Flow | 3841-0111-01 | |
| Retainer Nut (filter) | 0301-0946-01 | Holds Filter Elements in Filter Assy. (Pri. and Sec.) |
| Right Panel W/O Handle | 7054-0109-02 | |
| Rubber Strap Tie Down | 0144-0010-01 | Holds Gas Bottles |
| Sample Pump | 0303-0104-01 | |
| Sample Pump Diaphragm | 0303-0907 | |
| Sample Pump Gasket | 0303-0909 | |
| Sample Pump Reed Valves | 0303-0913 | |
| Sample Pump Relay | 0783-0335 | |
| Screw, (IR/Comp Drawers) | 0403-1411-08 | |
| Screw, (Lead Hangers) | 0403-1541-08 | Screws to hold lead hangers to the machine |
| Shock Mount (Bench) | 0561-0142 | Rubber Mounts for Infrared Bench |
| Shock Mount (Pump) | 0561-0139 | Rubber Mounts for Sample Pump |
| Solenode, 3-Way | 0304-0040 | Large 3-Way |
| Solenoid, 2 Way | 0304-0045-01 | |
| Solenoid, 3 Way | 0304-0044-01 | |
| Speaker | 0514-0305 | This is the PC Speaker, attached to the CPU Board |
| Standby Lamp Assy. | 7009-2036-01 | Front Panel 110V Standby Light |
| STL Boot Up Disk | 0552-0073-01 | Used to boot to STL when running from the Floppy Drive |
| Switch, Low Flow | 0549-0019-02 | Low Flow Switch, Located in Emissions Drawer |
| Switch, Main Power/Circuit Breaker | 1922-0113-25 | Located on rear panel of Machine |
| Switch, Operate/Standby | 0764-0240-01 | Front Panel Switch |
| Switch, Pump | 0764-0231 | Front Panel Switch |
| Switch, Reset | 0764-0241-01 | Front Panel Switch |
| Switch, Security | 0799-0237-01 | Emissions and Computer Drawer |
| Switch, Security | 2207-0028-02 | Printer and Floppy Security Switch |
| TECH 1 Adapter | 4162-0994-02 | 12 Volt connector |
| TEE, (3/16" Nylon) | 0647-0102 | |
| Tee, Barbed | 0647-0102 | |
| TEE, Plastic Fitting | 0647-0308-01 | Connects to both Transducers on Pressure Test Board |
| TEE, Plastic Fitting | 0647-0308-02 | Connects to Pressure Test Solenoid, and Bulkhead Port |
| Transformer, 24VAC CT | 0778-0481-05 | Ohmmeter Transformer |
| Tubing, (1/4" ID Poly) | 0669-0220 | |
| Tubing, (3/16" ID Poly) | 0669-0229 | |
| Upper Filter Panel | 7005-2318-01 | |

| DESCRIPTION | PART NUMBER | COMMENTS |
|-------------------------|--------------------|--|
| Varistor, Assembly | 7009-1982-01 | On Computer Power Supply Terminal Strip |
| Velcro, Hook (Keyboard) | 0424-0804-02 | To hold the keyboard to the MGA-9000 |
| Velcro, Loop (Keyboard) | 0424-0804-01 | To hold the keyboard to the MGA-9000 |
| VGA Color Monitor | 0859-0415-01 | Cardinal |
| VGA Color Monitor | 0859-0418-01 | Mag |
| Wiring Harness, W1 | 6004-0598-01* | Ribbon Cable from CPU Board to the Interface Board |
| Wiring Harness, W10 | 7076-0654-01* | From Interface Board to 25 Pin Bar Code Serial Port |
| Wiring Harness, W11 | 7076-0655-01* | From Interface Board to Dyno Serial Port |
| Wiring Harness, W12 | 7076-0656-01* | From Interface Board to Infrared Bench |
| Wiring Harness, W13 | 6004-0601-01* | From interface Board to Inspection Report Printer |
| Wiring Harness, W13 | 6004-0616-01* | From Interface Board to Inspection Report Printer |
| Wiring Harness, W15 | 6004-0603-03* | From System Storage Board to SCSI Devices |
| Wiring Harness, W16 | 6004-0611-01* | From VGA Board to VGA Monitor |
| Wiring Harness, W17 | 6004-0605-01* | From System Interface Board to SUN Bus Backplane |
| Wiring Harness, W18 | 6001-0185-01* | Certificate Printer Power Supply Cable |
| Wiring Harness, W19 | 6001-0186-01* | Inspection Report Printer Power Supply Cable |
| Wiring Harness, W2 | 6004-0599-01* | Ribbon Cable from Storage Board to State Floppy Drive |
| Wiring Harness, W20 | 7076-0677-01* | VGA Monitor Power Cable |
| Wiring Harness, W21 | 7076-0748-01* | |
| Wiring Harness, W22 | 7076-0562-01* | From ALDL Board to the Vehicle Port on the Back Panel |
| Wiring Harness, W23 | 6004-0607-01* | From Solenoid Driver Board to DVM Analog Board |
| Wiring Harness, W24 | 7076-0657-01* | Power Harness to Front Panel Operate / Standby Switch |
| Wiring Harness, W26 | 7076-0659-01* | Harness from Standby Switch to Pump Switch |
| Wiring Harness, W27 | 7076-0660-01* | Harness for Sample Pump Power |
| Wiring Harness, W28 | 6004-0608-01* | Certificate Printer Data Cable from System Interface Bd. |
| Wiring Harness, W29 | 6004-0609-01* | From the Solenoid Driver Board to the RPM I/O Board |
| Wiring Harness, W3 | 6004-0600-01* | Ribbon Cable from Storage Board to DOS Floppy Disk |
| Wiring Harness, W30 | 7076-0661-01* | From System Interface P429 to CPU P3 |
| Wiring Harness, W31 | 7076-0662-01* | From DVM Analog to Ohmmeter Transformer |
| Wiring Harness, W32 | 7076-0663-01* | From Terminal Block to Ohmmeter Transformer |
| Wiring Harness, W33 | 7076-0664-01* | From Solenoid Driver Board to Solenoids |
| Wiring Harness, W34 | 7076-0665-01* | Pump Sense Lines from Solenoid Driver Board |
| Wiring Harness, W38 | 7076-0666-01* | From Infrared Power Supply to Infrared Bench |
| Wiring Harness, W39 | 7076-0667-01* | From Solenoid Driver to Infrared Security Switch |
| Wiring Harness, W4 | 7076-0648-01* | From System Storage to Optional PC Option Relay Bd. |
| Wiring Harness, W40 | 7076-0668-01* | From RPM I/O Board to Security Switches |
| Wiring Harness, W41 | 7076-0669-01* | From RPM I/O Board to Back Panel Tach input connector |
| Wiring Harness, W43 | 7076-0671-01* | From RPM I/O Board to Printer Security Solenoid |
| Wiring Harness, W45 | 7076-0610-01* | From RPM I/O Board to Back Panel Antenna Connector |
| Wiring Harness, W46 | 7076-0678-01* | AC Harness Between Terminal Blocks |
| Wiring Harness, W47 | 7076-0682-01* | From Front Panel Pump Switch to Vacuum Pump |
| Wiring Harness, W48 | 7076-0681-01* | AC Harness from Terminal Block to IR Power Supply |
| Wiring Harness, W49 | 7076-0683-01* | Power to Solenoid Driver Board P533 |
| Wiring Harness, W5 | 7076-0649-01* | From DVM Analog Board to Back Panel Volt/Ohm Port |
| Wiring Harness, W50 | 7076-0684-01* | From PC Option Board to Front Panel Standby Switch |

| <u>DESCRIPTION</u> | <u>PART NUMBER</u> | <u>COMMENTS</u> |
|---------------------------|---------------------------|--|
| Wiring Harness, W51 | 7076-0685-01* | Hard Drive Power Cable If PC Option is Installed |
| Wiring Harness, W52 | 7076-0686-01* | DOS Floppy and CD ROM Power Cable (Optional) |
| Wiring Harness, W53 | 7076-0687-01* | From Standby Switch to PC Option Board |
| Wiring Harness, W6 | 7076-0650-01* | From CPU to Speaker |
| Wiring Harness, W7 | 7076-0651-01* | AC Harness from Terminal Block to Computer P. S. |
| Wiring Harness, W8 | 7076-0652-01* | Computer Power Supply DC Wiring Harness |
| Wiring Harness, W9 | 7076-0653-01* | From System Interface Bd to State Serial Port |

PARTS IN NUMERIC ORDER

| PART NUMBER | DESCRIPTION | COMMENTS |
|--------------------|----------------------------------|---|
| 0131-0024 | Regulator, Flow | For Gas Bottles |
| 0144-0010-01 | Rubber Strap Tie Down | Holds Gas Bottles |
| 0301-0126 | Fan Filter, (IR) | |
| 0301-0135-01 | Filter Assy. (8 Micron) | Secondary Filter Assy. |
| 0301-0136-01 | Filter Assy. (75 Micron) | Primary Filter Assy. |
| 0301-0137-01 | Air Filter, 4 3/4" | |
| 0301-0138-01 | Air Filter, 6" | |
| 0301-0942-01 | Filter Housing | Primary and Secondary Filter Housing |
| 0301-0943-01 | "O"-Ring | Filter Bowl O-Ring |
| 0301-0944-01 | Filter (75 micron) | Primary Filter Element |
| 0301-0945-01 | Filter (8 micron) | Secondary Filter Element |
| 0301-0946-01 | Retainer Nut (filter) | Holds Filter Elements in Filter Assy. (Pri. and Sec.) |
| 0301-0947-01 | Filter Bowl | Primary and Secondary Bowl |
| 0301-0948-01 | Filter Bowl Nut | Primary and Secondary Nut |
| 0303-0104-01 | Sample Pump | |
| 0303-0907 | Sample Pump Diaphragm | |
| 0303-0909 | Sample Pump Gasket | |
| 0303-0913 | Sample Pump Reed Valves | |
| 0304-0040 | Solenoid | |
| 0304-0044-01 | Solenoid, 3 Way | |
| 0304-0045-01 | Solenoid, 2 Way | |
| 0403-1411-08 | Screw, (IR/Comp Drawers) | |
| 0403-1541-08 | Screw, (Lead Hangers) | Screws to hold lead hangers to the machine |
| 0407-0094 | Nut, Tinnerman | |
| 0424-0804-01 | Velcro, Loop (Keyboard) | To hold the keyboard to the MGA-9000 |
| 0424-0804-02 | Velcro, Hook (Keyboard) | To hold the keyboard to the MGA-9000 |
| 0514-0305 | Speaker | This is the PC Speaker, attached to the CPU Board |
| 0514-5022-01 | Converter, Parallel to Serial | Colorado Certificate Printer Data Converter |
| 0519-0008-01 | Printer Break Solenoid | |
| 0528-0016-01 | Printer, Okidata 182 Turbo | 9 pin Dot Matrix printer (Standard in most States) |
| 0528-0029-01 | Printer, AMT | 24 pin Dot Matrix AMT Printer |
| 0528-0030-01 | Printer, Thermal | Colorado Thermal Certificate Printer |
| 0528-0994-01 | Printer Paper (Single) | Single copy paper, Use in Bottom Printer |
| 0528-0995 | Printer Ribbon | Okidata Printer Ribbon Cartridge |
| 0528-1011 | Printer Paper (Double) | Double copy carbonless paper, Use in the Bottom Printer |
| 0528-1048-01 | Printer Knob (Modified) | Printer knob with holes drilled into it for certificate printer |
| 0528-1065-01 | Printer Ribbon | AMT 24 Pin Printer Ribbon |
| 0528-1084-02 | Power Supply Certificate Printer | Colorado Thermal Certificate Printer |
| 0528-1085-01 | Printer Ribbon | Thermal Printer Ribbon Cartridge |
| 0532-0018 | Power Supply, Computer | |
| 0532-0020-01 | Power Supply, IR | |
| 0549-0019-02 | Switch, Low Flow | Low Flow Switch, Located in Emissions Drawer |
| 0552-0063-02 | Keyboard | |
| 0552-0064-01 | Drive, 3.5" (State/PC) | See Configuration Manual |
| 0552-0066-01 | Board, Modem | 2400 Baud Modem |
| 0552-0070-01 | DOS, Microsoft 4.01 | Licensed Copy of Microsoft DOS |
| 0552-0071-01 | Bar Code Scanner (Laser) | Laser Bar Code Scanner |
| 0552-0072-01 | DOS, 1.44 Floppy | Blank Unformatted Floppy Disk |
| 0552-0073-01 | STL Boot Up Disk | Used to boot to STL when running from the Floppy Drive |
| 0552-0082-01 | DOS, Microsoft 5.0 | Licensed Copy of Microsoft DOS |
| 0552-0098-01 | Drive, 170MB (IM/PC) | |
| 0552-0104-01 | DOS, Microsoft 6.22 | Licensed Copy of Microsoft DOS |
| 0552-0113-01 | Bar Code Scanner (L.E.D.) | 2D Bar Code Scanner For Colorado <u>Only</u> |

| PART NUMBER | DESCRIPTION | COMMENTS |
|--------------------|-----------------------------|--|
| 0552-0114-01 | Bar Code Scanner (2D) | 2D Scanner |
| 0552-0115-01 | Drive, 540MB (IM/PC) | See Configurations Manual |
| 0552-0953A07 | DOS 4.01 PC Install Disk | Used on most PC Options when minimum PC is installed |
| 0552-0953B10 | DOS 5.0 PC Install Disk | Must be used on machines with DOS 4.01 installing VIP's |
| 0552-0953B16 | DOS 6.22 PC Install Disk | Used only in states with DOS 6.22 standard on I/M side |
| 0552-0975-01 | Bar Code Cable Assy. | For Laser Type Bar Code Scanner |
| 0552-0976-01 | Bar Code Retaining Clip | For Laser Type Bar Code Scanner |
| 0552-0990-01 | Keyboard, 101 key | 101 key keyboard, need keyboard label |
| 0552-0993-01 | Key Skin, 101 Key Keyboard | Keyboard Overlay for 101 Key Keyboard |
| 0561-0139 | Shock Mount (Pump) | Rubber Mounts for Sample Pump |
| 0561-0142 | Shock Mount (Bench) | Rubber Mounts for Infrared Bench |
| 0587-0504 | Fan, 115VAC | Computer and IR Drawer Fan |
| 0647-0028 | Adapter | See Page 13-8 |
| 0647-0044 | Adapter, Elbow 90 | |
| 0647-0069 | Fitting, Barbed 1/8" | |
| 0647-0069 | Regulator Fitting | Nipple Fitting for Gas Regulator |
| 0647-0070 | Fitting, Barbed 1/8" | |
| 0647-0073 | Fitting, Barbed 1/4" | |
| 0647-0083 | Elbow, 1/4" | |
| 0647-0102 | TEE, (3/16" Nylon) | |
| 0647-0102 | Tee, Barbed | |
| 0647-0137 | Adapter, 45° | Off of Primary Filter Assembly, See Page 13-8 |
| 0647-0138 | Adapter, Plug | See Page 13-8 |
| 0647-0192-01 | Nipple, Close | See Page 13-8 |
| 0647-0193-01 | Adapter, Elbow | |
| 0647-0194-01 | Hose Quick Disconnect | Quick Disconnect fitting for Dual Exhaust |
| 0647-0208-01 | Adapter, "T" | |
| 0647-0239-01 | Adapter, Elbow | |
| 0647-0308-01 | TEE, Plastic Fitting | Connects to both Transducers on Pressure Test Board |
| 0647-0308-02 | TEE, Plastic Fitting | Connects to Pressure Test Solenoid, and Bulkhead Port |
| 0669-0220 | Tubing, (1/4" ID Poly) | |
| 0669-0229 | Tubing, (3/16" ID Poly) | |
| 0682-0806-01 | Label, MGA | Front Panel State Sticker |
| 0682-0807-01 | Label, Filter Maintenance | See Page 13-5 |
| 0682-0808-01 | Label, Service | Front Panel State Sticker |
| 0682-0811-01 | Label, CA. | Front Panel State Sticker |
| 0682-0812-01 | Label, TX. | Front Panel State Sticker |
| 0682-0823-01 | Label, NC | Front Panel State Sticker |
| 0682-0825-01 | Label, MO. | Front Panel State Sticker |
| 0682-0904-01 | Label, UT | Front Panel State Sticker |
| 0682-1041-01 | Keyboard Label | Keyboard Label to template the keyboard for special keys |
| 0682-1112-01 | Label, AK | Front Panel State Sticker |
| 0685-0430-03 | Pot, Color (MAG) Contrast | Contrast harness and potentiometer for MAG Monitor |
| 0685-0430-04 | Pot, Brightness | Front Panel Brightness Potentiometer |
| 0685-0430-05 | Pot, Contrast | Front Panel Contrast Potentiometer |
| 0685-0430-06 | Pot, Color (MAG) Brightness | Brightness harness and potentiometer for MAG Monitor |
| 0685-0451-02 | Pot, Volume | |
| 0698-0013-01* | Printer Gear | |
| 0711-0244-01 | Printer Break Spring | |
| 0758-0193-01 | Knob, Collet Volume | See Page 13-4 |
| 0758-0194-01 | Knob, Cap Volume | See Page 13-4 |
| 0758-0200-01 | Hose Protector | Yellow cap for threaded hose end |

| <u>PART NUMBER</u> | <u>DESCRIPTION</u> | <u>COMMENTS</u> |
|---------------------------|------------------------------------|---|
| 0764-0231 | Switch, Pump | Front Panel Switch |
| 0764-0240-01 | Switch, Operate/Standby | Front Panel Switch |
| 0764-0241-01 | Switch, Reset | Front Panel Switch |
| 0768-0021-01 | Battery, CPU | Not needed for Siemens CPU |
| 0778-0481-05 | Transformer, 24VAC CT | Ohmmeter Transformer |
| 0783-0335 | Pump Relay | Clear Plastic Relay in Emissions Module |
| 0783-0335 | Sample Pump Relay | |
| 0799-0237-01 | Switch, Security | Emissions and Computer Drawer |
| 0859-0415-01 | Color, Cardinal Monitor | No Longer Available |
| 0859-0415-01 | VGA Color Monitor | Cardinal |
| 0859-0418-01 | Color, Mag Monitor | If converting from cardinal use 1095-0169-01 |
| 0859-0418-01 | VGA Color Monitor | Mag |
| 1374-0110-01 | Hole Plug, Base | Black Plastic Plug to fit in holes in pedestal |
| 1747-0106 | Pick-up, HEI | GM RPM Adapter Pickup for HEI Ignitions |
| 1922-0091-17 | Circuit Breaker, IR Pump | |
| 1922-0113-25 | Switch, Main Power/Circuit Breaker | Located on rear panel of Machine |
| 2161-0023 | Lead Hanger | Black Hanger for hanging leads. |
| 2207-0028-02 | Switch, Security | Printer and Floppy Security Switch |
| 3645-0045-01 | Caster W/O Brake | |
| 3645-0045-02 | Caster with Brake | |
| 3841-0101-02 | Flow Restrictor, (Hose) | Hose type Flow Restrictor for Low Flow Switch |
| 3841-0101-02 | Restrictor, Flow | |
| 3841-0111-01 | Flow Restrictor (Inline) | In-Line Flow Restrictor going to O2 Sensor |
| 3841-0111-01 | Restrictor, Flow | |
| 3841-0111-05 | Flow Restrictor (Tank) | In-Line Flow Restrictor for Calibration Gases |
| 3988-0230-01 | Hose Assembly, Exhaust | Exhaust Hose with quick disconnect for Dual Exhaust |
| 3988-0231-01 | Hose Assembly, Dual | Used for Dual Exhaust Vehicle Systems |
| 4162-0496 | Modem Jack | Rear panel Modem (Telephone) Jack |
| 4162-0831 | Connector, 4-Pin | See Page 13-5 |
| 4162-0916 | Pin, Keying | See Page 13-5 |
| 4162-0937 | "O"-Ring | See Page 13-5 |
| 4162-0940 | Pin, Contact | See Page 13-5 |
| 4162-0994-02 | TECH 1 Adapter | 12 Volt connector |
| 552-0946-06 | Drive, CD ROM | |
| 5666-0031 | Latch Set | |
| 5666-0035-01 | Lock, IR | Emissions and Computer Lock |
| 5666-0036-01 | Lock, IM Security | State Drive Lock |
| 5666-0037-01 | Lock, Dummy | |
| 5666-0043-01 | Lock (Cert. Printer) | Certificate Printer Lock |
| 5666-0044-01 | Lock (Cert. Master Key) | Certificate Lock Master Key (FOR TECHNICIANS ONLY) |
| 6001-0177-01 | AC Power Cord | |
| 6001-0185-01* | Wiring Harness, W18 | Certificate Printer Power Supply Cable |
| 6001-0186-01* | Wiring Harness, W19 | Inspection Report Printer Power Supply Cable |
| 6004-0262-05 | Lead Assembly, Trigger | 6" Red Adapter from Long Blue Lead to Trigger Pick-up |
| 6004-0360 | Fan Lead Assy. | AC Fan Power Lead |
| 6004-0462 | Lead Assembly, Volt/Ohm | Volt / Ohm Leadset for Volt / Ohmmeter Functions |
| 6004-0536-01 | Modem Internal Cable | From Back Panel Jack to Modem |
| 6004-0566-01 | Lead Assembly, Tach | Long Blue Tachometer Lead |
| 6004-0598-01* | Wiring Harness, W1 | Ribbon Cable from CPU Board to the Interface Board |
| 6004-0599-01* | Wiring Harness, W2 | Ribbon Cable from Storage Board to State Floppy Drive |
| 6004-0600-01* | Wiring Harness, W3 | Ribbon Cable from Storage Board to DOS Floppy Disk |
| 6004-0601-01* | Wiring Harness, W13 | From interface Board to Inspection Report Printer |
| 6004-0603-03* | Wiring Harness, W15 | From System Storage Board to SCSI Devices |
| 6004-0604-01 | Cable, Video | |

| PART NUMBER | DESCRIPTION | COMMENTS |
|--------------------|----------------------------|--|
| 6004-0605-01* | Wiring Harness, W17 | From System Interface Board to SUN Bus Backplane |
| 6004-0606-01 | Modem External Cable | Modem Cable from Machine to Wall Outlet |
| 6004-0607-01* | Wiring Harness, W23 | From Solenoid Driver Board to DVM Analog Board |
| 6004-0608-01* | Wiring Harness, W28 | Certificate Printer Data Cable from System Interface Bd. |
| 6004-0609-01* | Wiring Harness, W29 | From the Solenoid Driver Board to the RPM I/O Board |
| 6004-0611-01* | Wiring Harness, W16 | From VGA Board to VGA Monitor |
| 6004-0614-01 | Lead, Antenna | Long lead from rear panel to figure 8 antenna |
| 6004-0616-01* | Wiring Harness, W13 | From Interface Board to Inspection Report Printer |
| 6005-0178-01 | Adapter, Nissan Pulsar | RPM Adapter for Nissan Pulsar |
| 6005-0179-01 | Adapter, Quad 4 | RPM Adapter for Quad 4 |
| 7001-0543-01 | Board, ALDL | |
| 7001-2052-01 | Board, VGA Video | Obsolete, Use 7001-2052-01 |
| 7001-2053-01 | Board, Sun Bus Backplane | DVM Analog Bd, ALDL Bd, and RPM I/O Bd. plug into it |
| 7001-2058-01 | Board, NCR 286 CPU | Uses Separate Battery |
| 7001-2058-02 | Board, Seimens 286 CPU | Configure according to Appendix C of the Manual |
| 7001-2058-03 | Board, Seimens 286 CPU | Configure according to Appendix C of the Manual |
| 7001-2059-01 | Board, Passive Backplane | Old Style |
| 7001-2060-01 | Board, Solenoid Driver | |
| 7001-2061-01 | Board, Sys Interface | Old Style |
| 7001-2063-01 | Board, Sys Storage | Old Style |
| 7001-2064-01 | Board, DVM Analog | |
| 7001-2064-02 | DVM w/Temp | |
| 7001-2074-01 | Board, PC Option | Located Behind Hard Drives in Computer Drawer |
| 7001-2074-01 | Board, PC Option (TX Only) | PC Option Board for Texas Only |
| 7001-2081-01 | Sys Interface | Direct Replacement for 7001-2061-01 |
| 7001-2082-01 | Sys Storage | Direct Replacement for 7001-2063-01 |
| 7001-2089-01 | Board, Memory Expansion | Old Style |
| 7001-2099-01 | Memory Expansion | New Style, Direct Replacement |
| 7001-2099-01 | Sys Storage | Direct Replacement for 7001-2082-01, or 7001-2063-01 |
| 7001-2131-01 | Board, Passive Backplane | Replaces 7001-2059-01 / Must be used with VIP's |
| 7001-2299-01 | Board, Memory Expansion | New Style |
| 7001-2302-02 | VGA Video | Replaces 7001-2052-01 |
| 7001-2316-01 | Board, Modem | 14.4 Modem for California, Nevada, Alaska, Colorado |
| 7002-0207-01 | Block, O ² | |
| 7005-2317-01 | Lower Filter Panel | |
| 7005-2318-01 | Upper Filter Panel | |
| 7005-2330-01* | Door (VIR) | |
| 7009-0728 | Aspirator | Bottom of the Primary Filter Bowl |
| 7009-1486-03 | Diode Assembly | |
| 7009-1486-03 | Diode Assembly | |
| 7009-1486-03 | Diode Assembly | |
| 7009-1486-03 | Diode Assy. (Solenoid) | Attaches across Solenoid Assemblies |
| 7009-1486-05 | Diode Assy. (Relay) | Pump Relay Diode (attaches across Pump relay) |
| 7009-1700 | Adapter, Leak Check | Large (for Probe) to Small (for port) Hose Adapter |
| 7009-1869 | Probe, Exhaust Assy. | Regular Exhaust Probe Assy. (need 2 for dual exhaust) |
| 7009-1929 | Pickup, Trigger | Black Trigger Pick up |
| 7009-1982-01 | Varistor, Assembly | On Computer Power Supply Terminal Strip |
| 7009-2017-01 | Probe Anti-Dilution | For use in Vehicles with muffler baffles |
| 7009-2026-01 | Inductor Assembly | |
| 7009-2030-01 | Monochrome Monitor Assy. | Entire Monochrome monitor |
| 7009-2035-01 | Hose, Low Cal II | Cal. Gas Tubing with "Low Cal II" Label |
| 7009-2035-02 | Hose, Mid Cal I | Cal. Gas Tubing with "Mid Cal I" Label |
| 7009-2035-03 | Hose, Low Cal I | Cal. Gas Tubing with "Low Cal I" Label |

| PART NUMBER | DESCRIPTION | COMMENTS |
|--------------------|--------------------------|---|
| 7009-2035-04 | Hose, Zero Cal II | Cal. Gas Tubing with "Zero Cal II" Label |
| 7009-2036-01 | Standby Lamp Assy. | Front Panel 110V Standby Light |
| 7009-2038-01 | Pickup, Antenna (8) | Black (Figure 8) Non-Intrusive Trigger Pickup |
| 7009-2041-01 | Brake Arm Assembly | |
| 7009-2078-01 | Printer Brake Assy. | |
| 7009-2223-01 | Adapter, Nissan 300ZX | RPM Adapter for Nissan 300ZX |
| 7012-1205-01* | Cable Bracket | |
| 7015-0081 | Probe Tip | Includes bendable portion of probe |
| 7020-1934-01* | Rear Panel, Printer | Sheet Metal |
| 7020-1935-01* | Rear Panel, Monitor | Sheet Metal |
| 7020-1936-01* | Headframe Pedestal | |
| 7020-1941-01* | Printer Door | |
| 7020-1944-01* | Printer Panel | |
| 7020-1956-01* | Bar Code Bracket | For Laser Type Bar Code Scanner |
| 7034-0035-01 | Monochrome Monitor Bezel | Black front bezel for the Monochrome Monitor |
| 7034-0036-01 | Color, Monitor Bezel | |
| 7049-0004 | O2 Sensor | Replace with 7049-0004-01 and 7076-0811-01 |
| 7049-0004-01 | O ² Sensor | |
| 7049-0004-01 | O2 Sensor | Replaces 7049-0004, Must use 7076-0811-01 |
| 7049-0125-01 | Bench, Sensors | |
| 7054-0109-01 | Left Panel W/O Handle | |
| 7054-0109-02 | Right Panel W/O Handle | |
| 7076-0562-01* | Wiring Harness, W22 | From ALDL Board to the Vehicle Port on the Back Panel |
| 7076-0610-01* | Wiring Harness, W45 | From RPM I/O Board to Back Panel Antenna Connector |
| 7076-0648-01* | Wiring Harness, W4 | From System Storage to Optional PC Option Relay Bd. |
| 7076-0649-01* | Wiring Harness, W5 | From DVM Analog Board to Back Panel Volt/Ohm Port |
| 7076-0650-01* | Wiring Harness, W6 | From CPU to Speaker |
| 7076-0651-01* | Wiring Harness, W7 | AC Harness from Terminal Block to Computer P. S. |
| 7076-0652-01* | Wiring Harness, W8 | Computer Power Supply DC Wiring Harness |
| 7076-0653-01* | Wiring Harness, W9 | From System Interface Bd to State Serial Port |
| 7076-0654-01* | Wiring Harness, W10 | From Interface Board to 25 Pin Bar Code Serial Port |
| 7076-0655-01* | Wiring Harness, W11 | From Interface Board to Dyno Serial Port |
| 7076-0656-01* | Wiring Harness, W12 | From Interface Board to Infrared Bench |
| 7076-0657-01* | Wiring Harness, W24 | Power Harness to Front Panel Operate / Standby Switch |
| 7076-0659-01* | Wiring Harness, W26 | Harness from Standby Switch to Pump Switch |
| 7076-0660-01* | Wiring Harness, W27 | Harness for Sample Pump Power |
| 7076-0661-01* | Wiring Harness, W30 | From System Interface P429 to CPU P3 |
| 7076-0662-01* | Wiring Harness, W31 | From DVM Analog to Ohmmeter Transformer |
| 7076-0663-01* | Wiring Harness, W32 | From Terminal Block to Ohmmeter Transformer |
| 7076-0664-01* | Wiring Harness, W33 | From Solenoid Driver Board to Solenoids |
| 7076-0665-01* | Wiring Harness, W34 | Pump Sense Lines from Solenoid Driver Board |
| 7076-0666-01* | Wiring Harness, W38 | From Infrared Power Supply to Infrared Bench |
| 7076-0667-01* | Wiring Harness, W39 | From Solenoid Driver to Infrared Security Switch |
| 7076-0668-01* | Wiring Harness, W40 | From RPM I/O Board to Security Switches |
| 7076-0669-01* | Wiring Harness, W41 | From RPM I/O Board to Back Panel Tach input connector |
| 7076-0671-01* | Wiring Harness, W43 | From RPM I/O Board to Printer Security Solenoid |
| 7076-0677-01* | Wiring Harness, W20 | VGA Monitor Power Cable |
| 7076-0678-01* | Wiring Harness, W46 | AC Harness Between Terminal Blocks |
| 7076-0681-01* | Wiring Harness, W48 | AC Harness from Terminal Block to IR Power Supply |
| 7076-0682-01* | Wiring Harness, W47 | From Front Panel Pump Switch to Vacuum Pump |
| 7076-0683-01* | Wiring Harness, W49 | Power to Solenoid Driver Board P533 |
| 7076-0684-01* | Wiring Harness, W50 | From PC Option Board to Front Panel Standby Switch |

| PART NUMBER | DESCRIPTION | COMMENTS |
|--------------------|------------------------------------|--|
| 7076-0685-01* | Wiring Harness, W51 | Hard Drive Power Cable If PC Option is Installed |
| 7076-0686-01* | Wiring Harness, W52 | DOS Floppy and CD ROM Power Cable (Optional) |
| 7076-0687-01* | Wiring Harness, W53 | From Standby Switch to PC Option Board |
| 7076-0748-01* | Wiring Harness, W21 | |
| 7076-0811-01 | O2 Harness | Use with 3 pin O2 Wiring Harness |
| EAL0046C00A | Label, NV | Front Panel State Sticker |
| EAL0092C00A | Label, CO | Front Panel State Sticker |
| EAP0010C06A | Board, 386 CPU | With 2 Meg of Memory |
| EAP0043C01 | Board, 486 CPU | With 4 Meg of Memory |
| EAP0127C00A | Board, RPM I/O | New Style |
| EAW0035C00A | Cable Certificate Printer AC Power | Colorado Certificate AC Power Cable |
| EAW0036C01A | Cable Certificate Printer DC Power | Colorado Certificate DC Power Cable |
| EAW0038C00A | Cable, Certificate Printer Data | Data Cable from the Converter (P to S) to the Printer |
| EAW0039C00A | Cable, 2D Scanner | Colorado Scanner, From Scanner to Back Panel |
| EAW0040C00A | Cable, Pressure Cap Tester | Data Cable from Interface Bd. to Pressure Cap Test Bd. |
| EAW0045C00A | Bar Code Cable Assy. | For 2D Type Bar Code Scanner |