



# **T 8026**

**Spare Parts**

Form 5818-3



**THIS PART IS FOR EXCLUSIVE USE OF QUALIFIED PERSONNEL FOR MAINTENANCE AND SERVICE PURPOSES.**

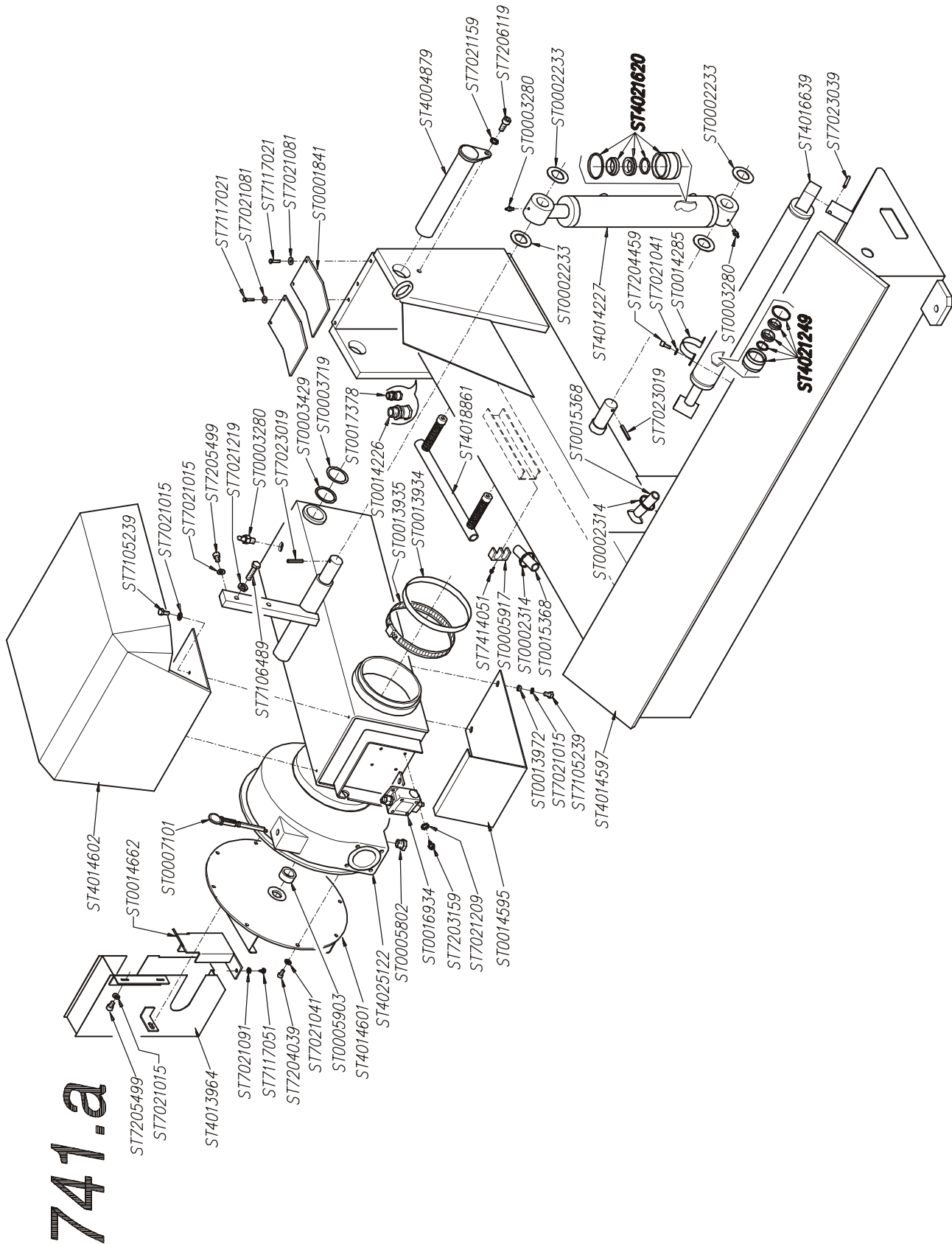
158-a-Nov-03

· **ON ORDER SPECIFY:** type of machine and serial number item code and quantity.

**ST0000000** - BOLD TYPE CODES MEANS: SUGGESTED SPARE PARTS



11/2003

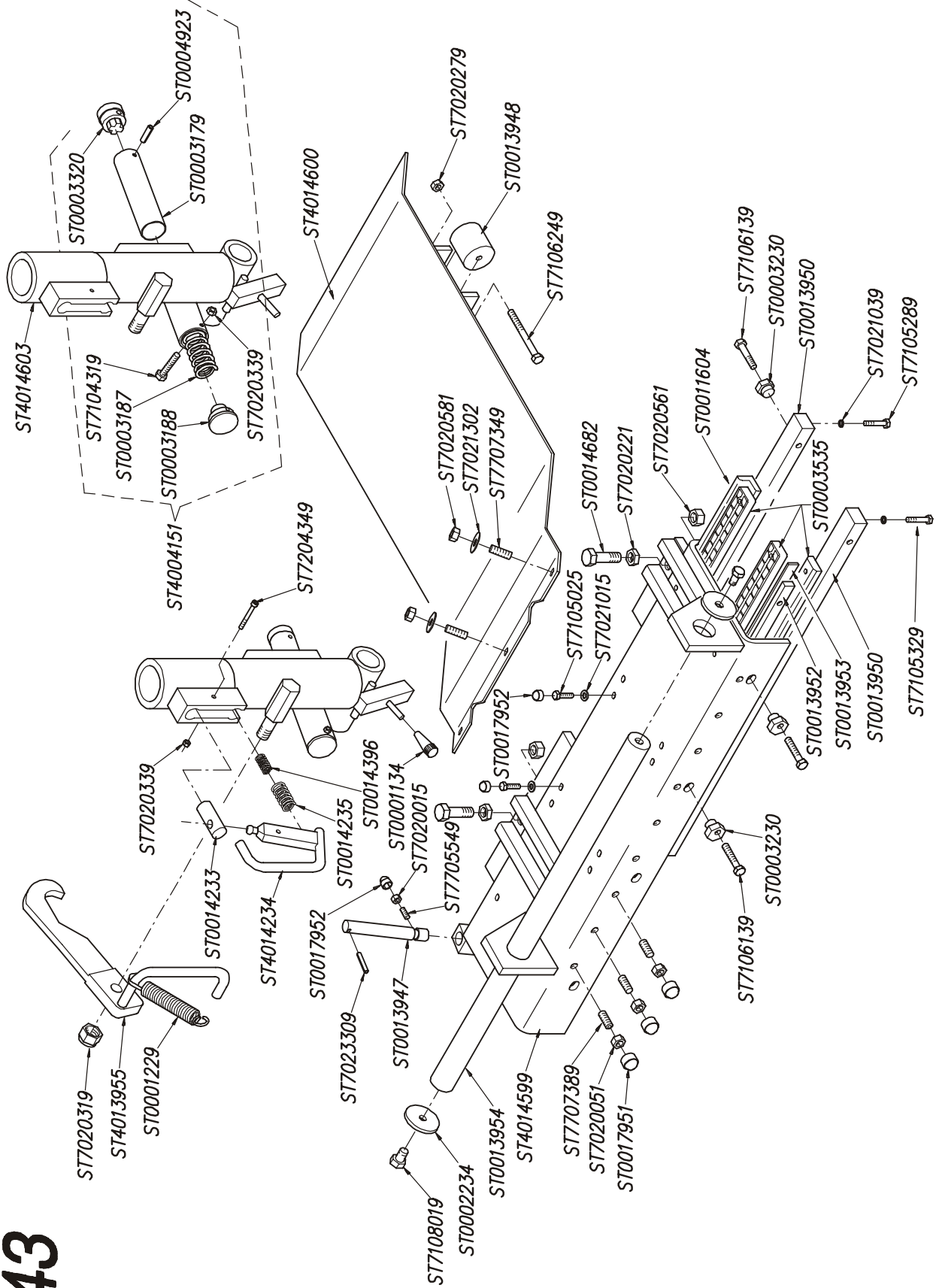


158-a-Nov-03



06/98

743

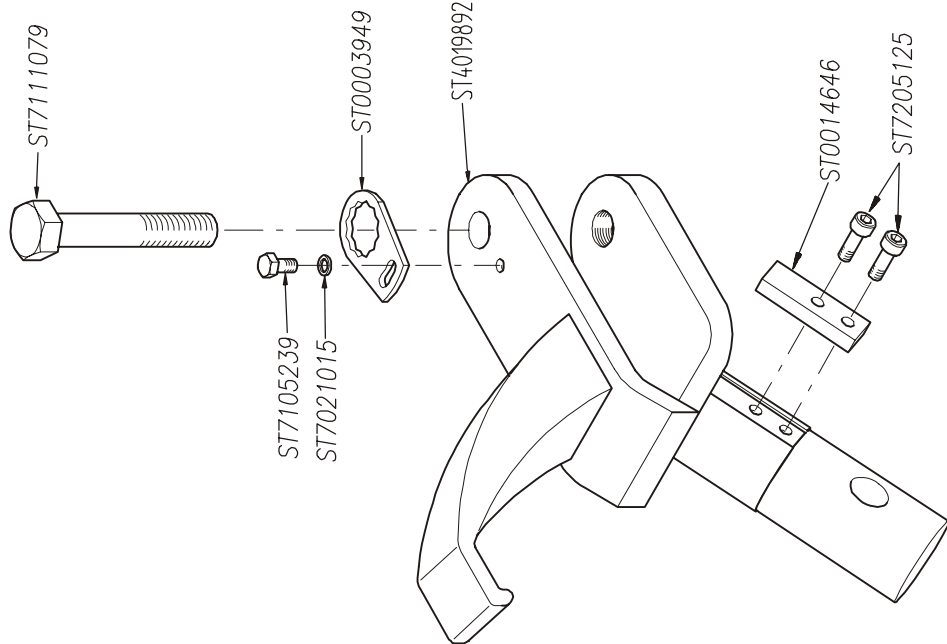
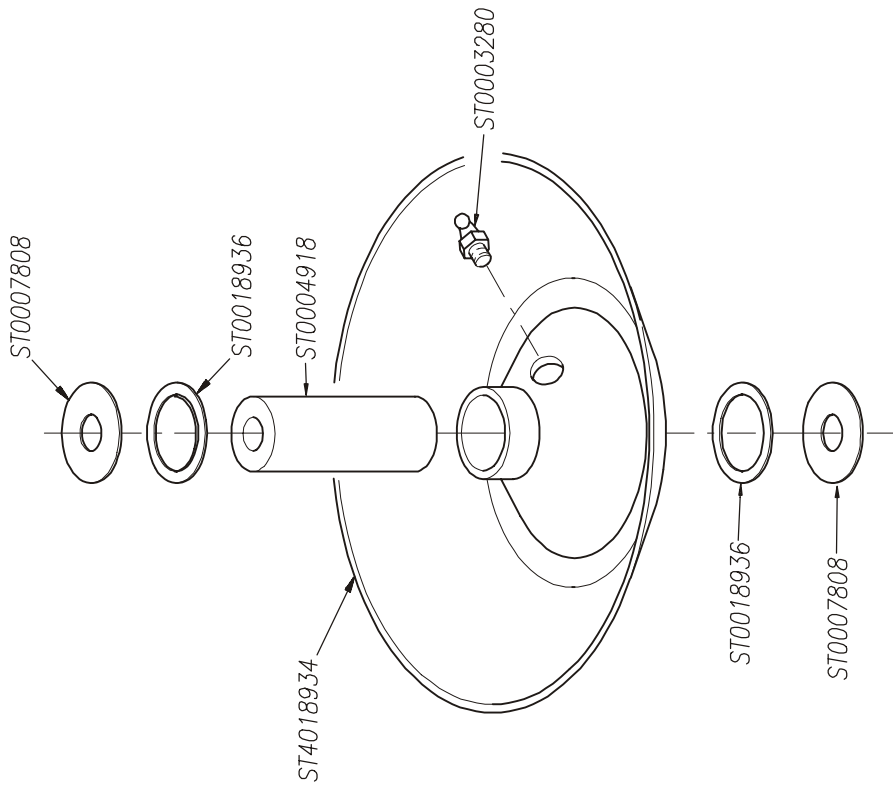


158-a-Nov-03





745

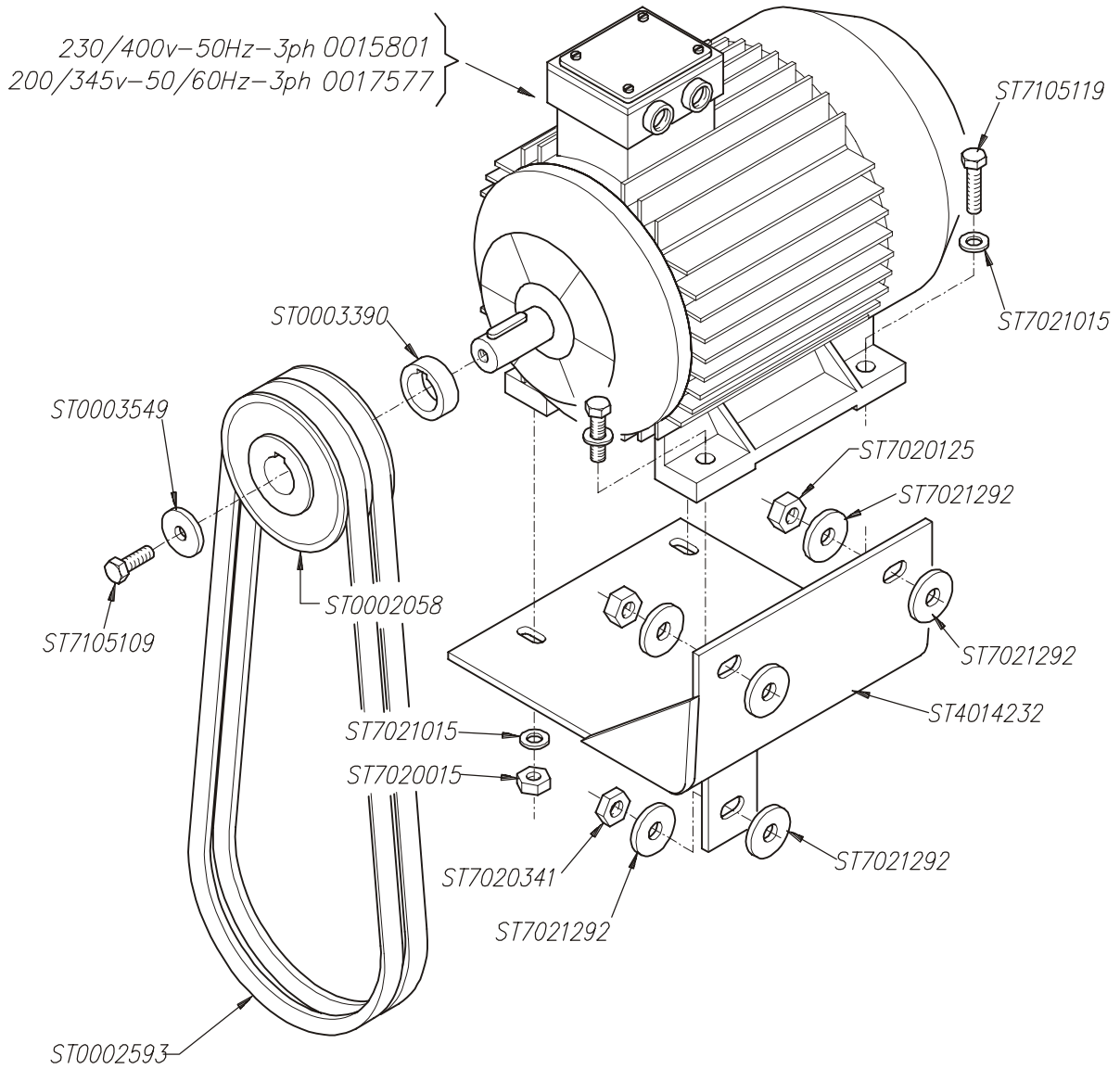


ST4019891

06/98



# 744.a



158-a-Nov-03



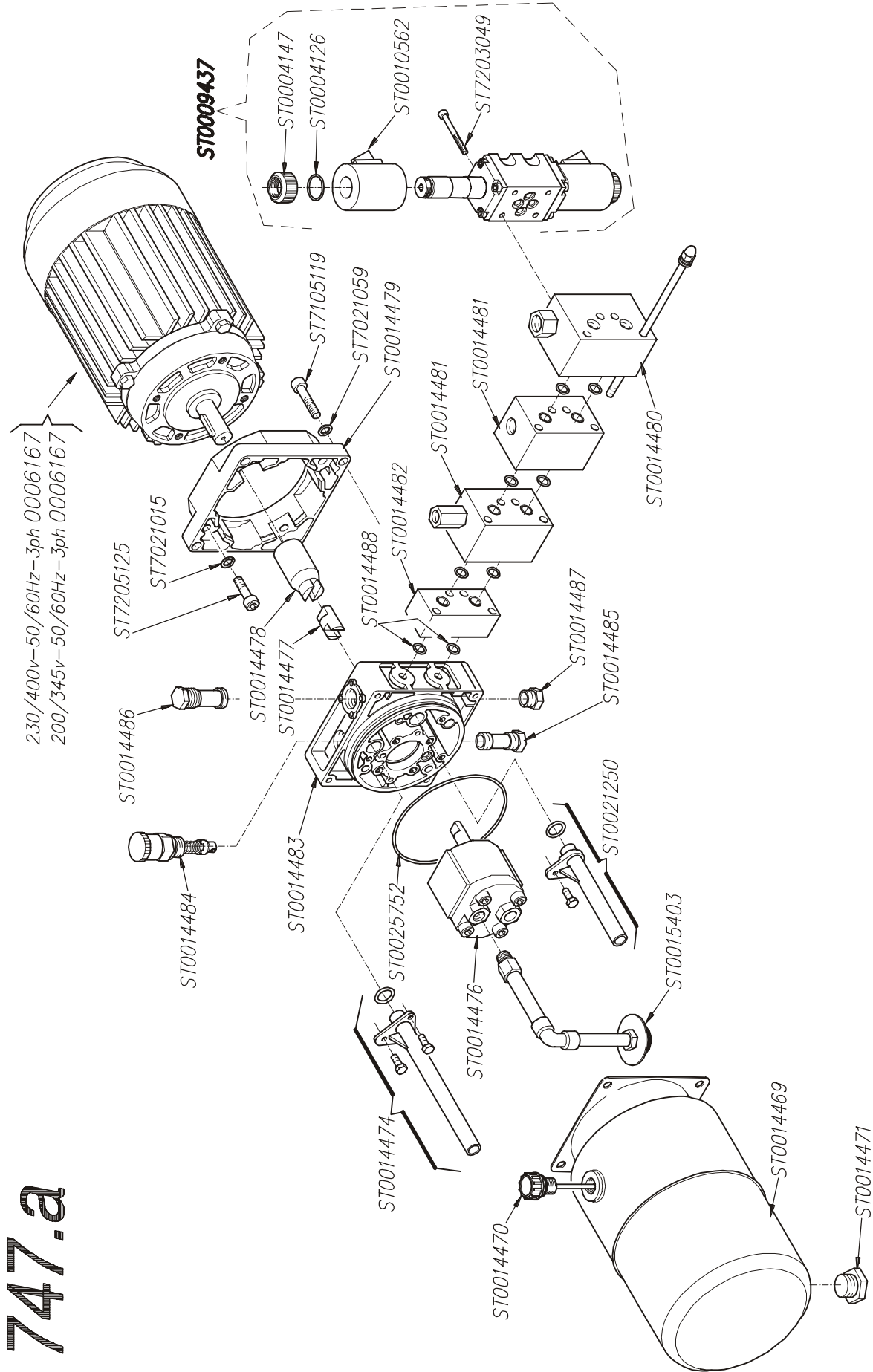






11/2003

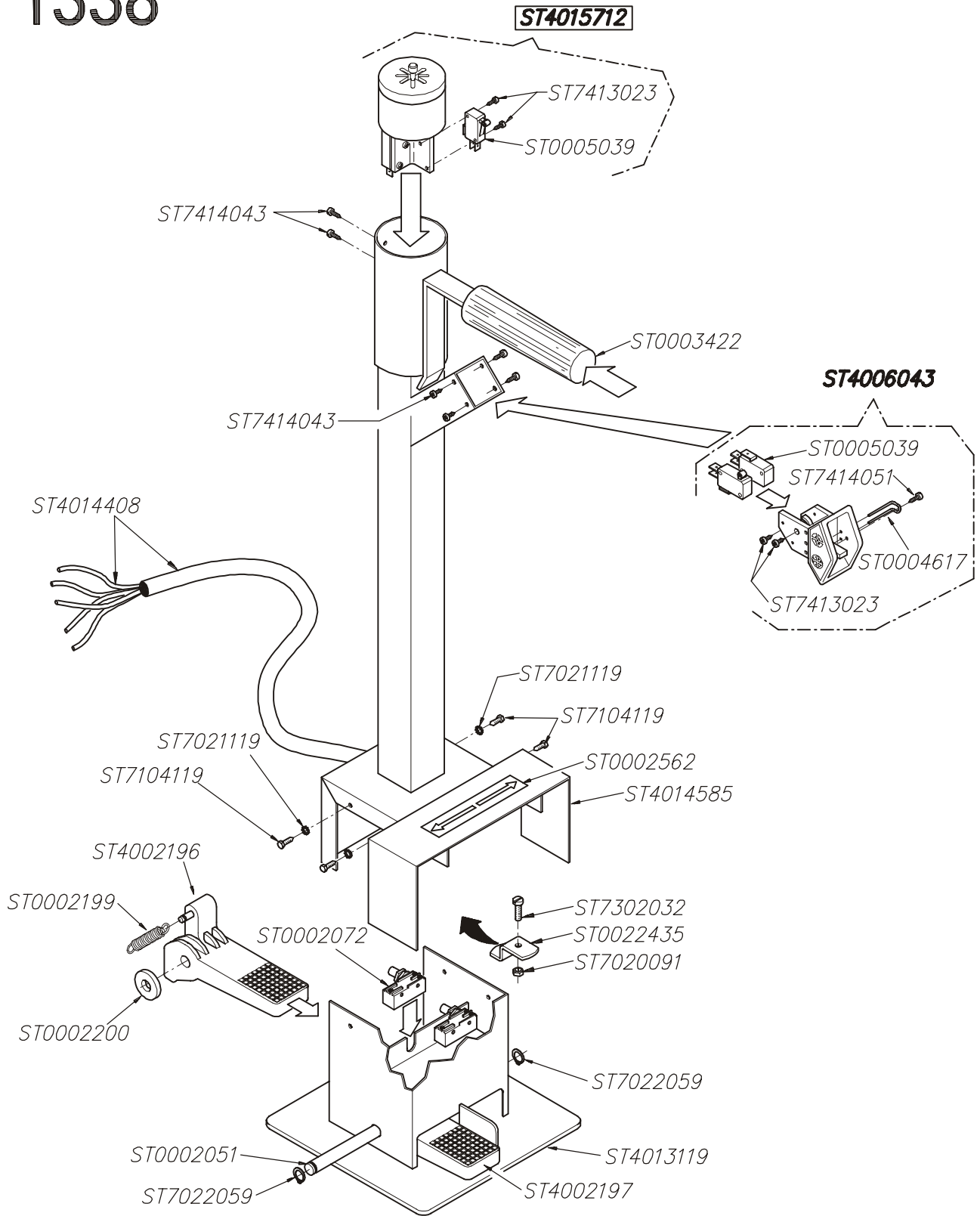
# 747.a



158-a-Nov-03



# 1338



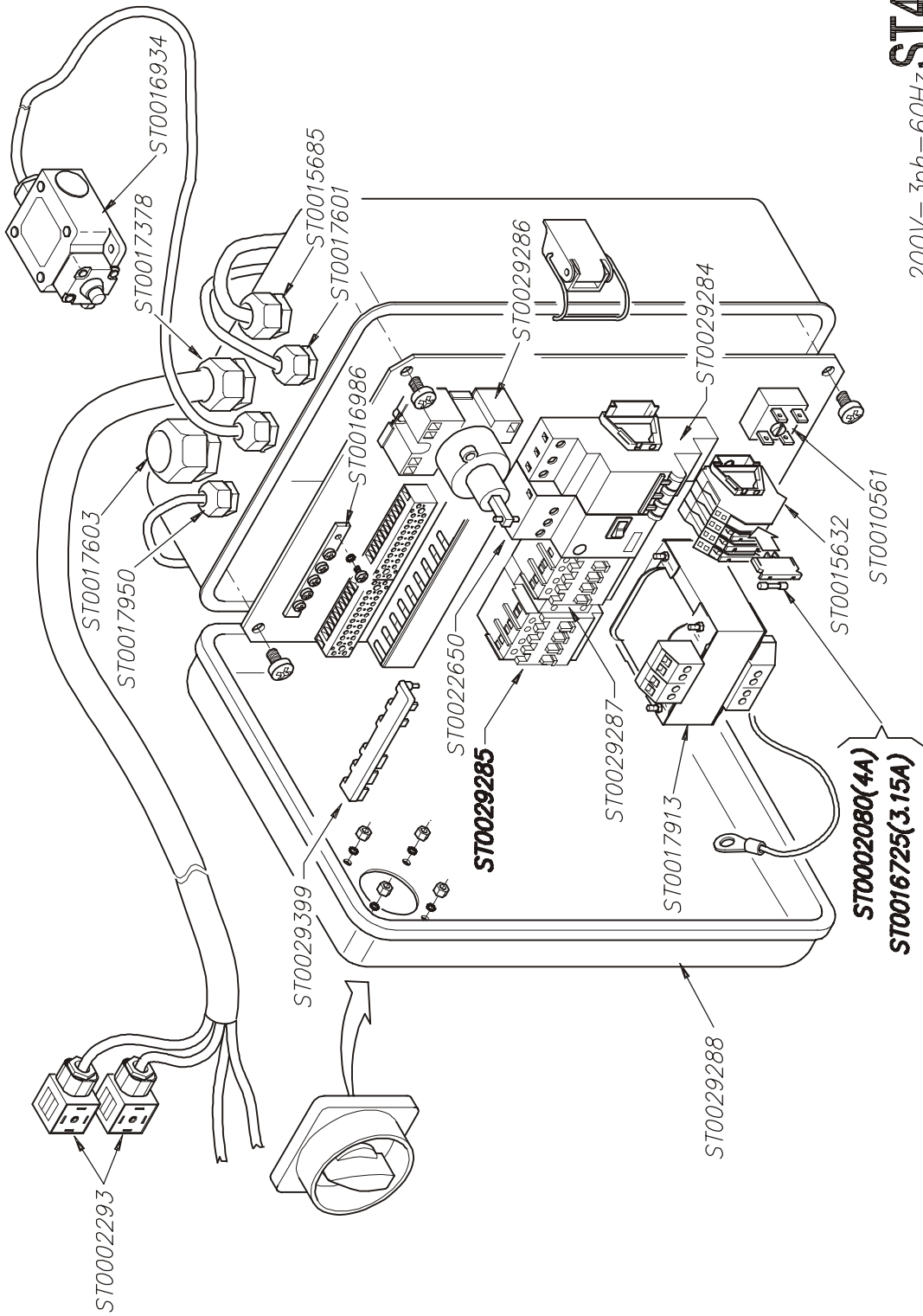
158-a-Nov-03

## ST4014604

11/2003



1337



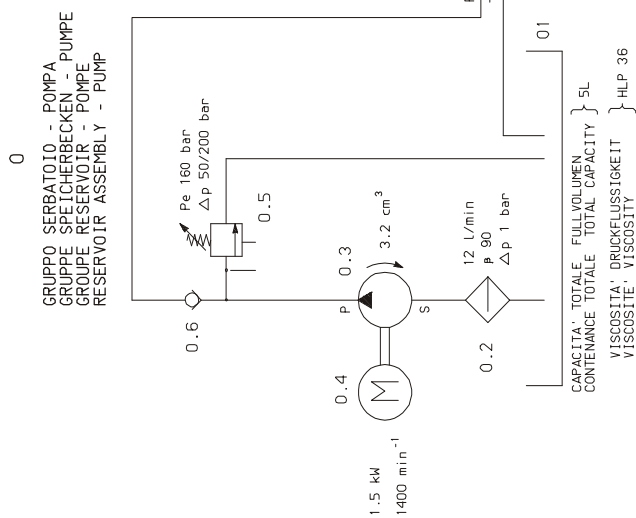
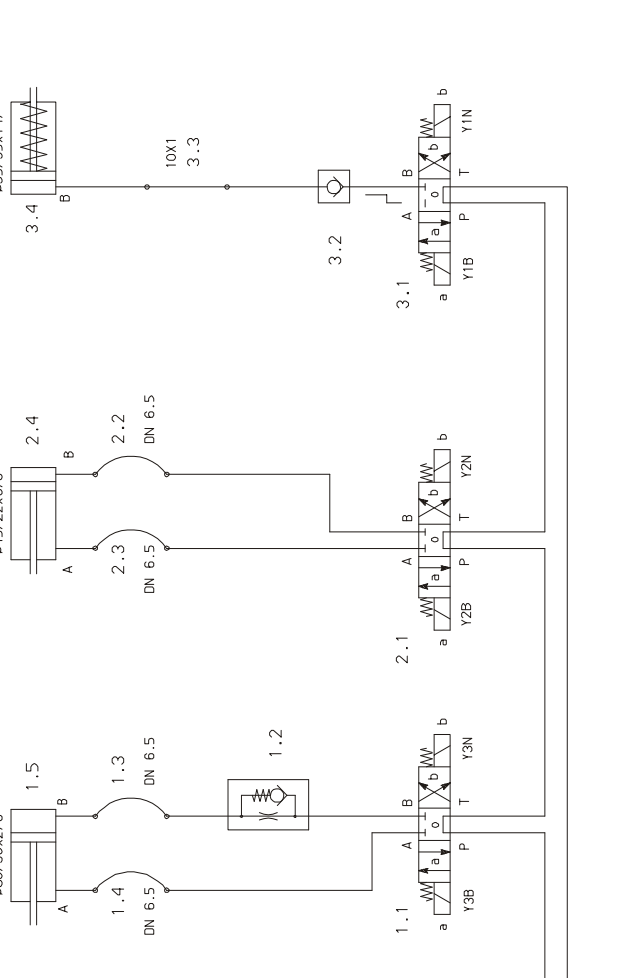
200V-3ph-60Hz **ST4016266**

11/2003

158-a-Nov-03

RIFERIMENTO QUERVERWEIS REFERENCE	
IDRAULICO HYDRAULIQUE HYDRAULIC	ELETTRICO ELECTRIQUE ELECTRIC
1.1	Y3B / Y3N
2.1	Y2B / Y2N
3.1	Y1B / Y1N

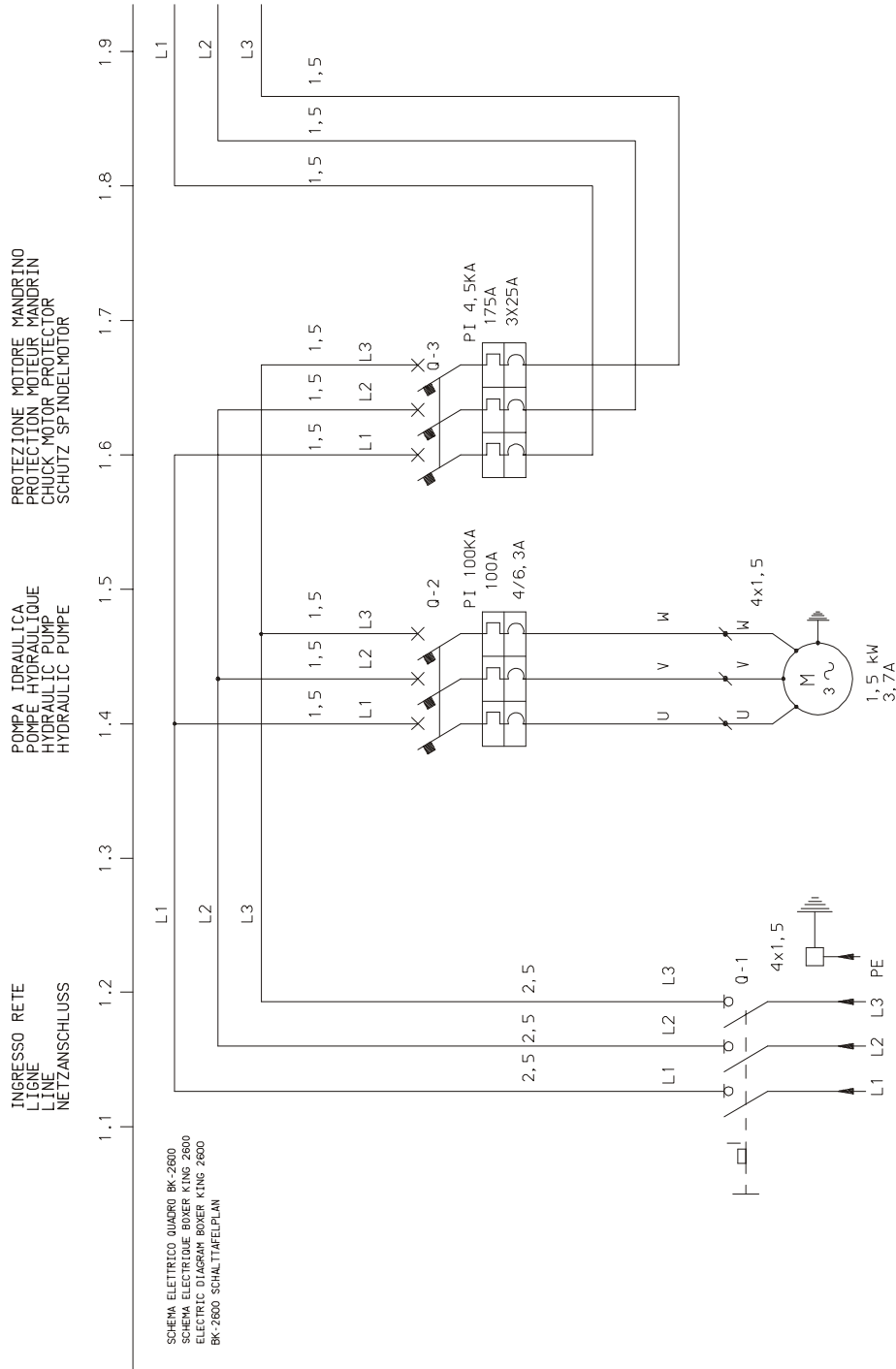
- 1  
BRACCIO PORTA MANDRINO  
AUSLEGER SPINDELTRAGER  
BRAS PORTE MANDRIN  
ARM CHUCK HOLDER  
Z1  
DISCESA  
ABHANG  
DESCENTE
- 2  
CARRO PORTA UTENSILE  
WERKZEUGTRAGER  
CHARIOT PORTE OUTILS  
CARRIAGE TOOL HOLDER  
Z2  
DESTRA  
RECHTS  
DROITE  
RIGHT
- 3  
BLOCCAGGIO RUOTA  
RAD BLOCKIERUNG  
BLOCAGE ROUE  
LOCKING OF WHEEL  
Z3  
SUL BLOCCAGGIO  
AUFHEBUNG  
DEBLOCAGE  
DECHUCKING



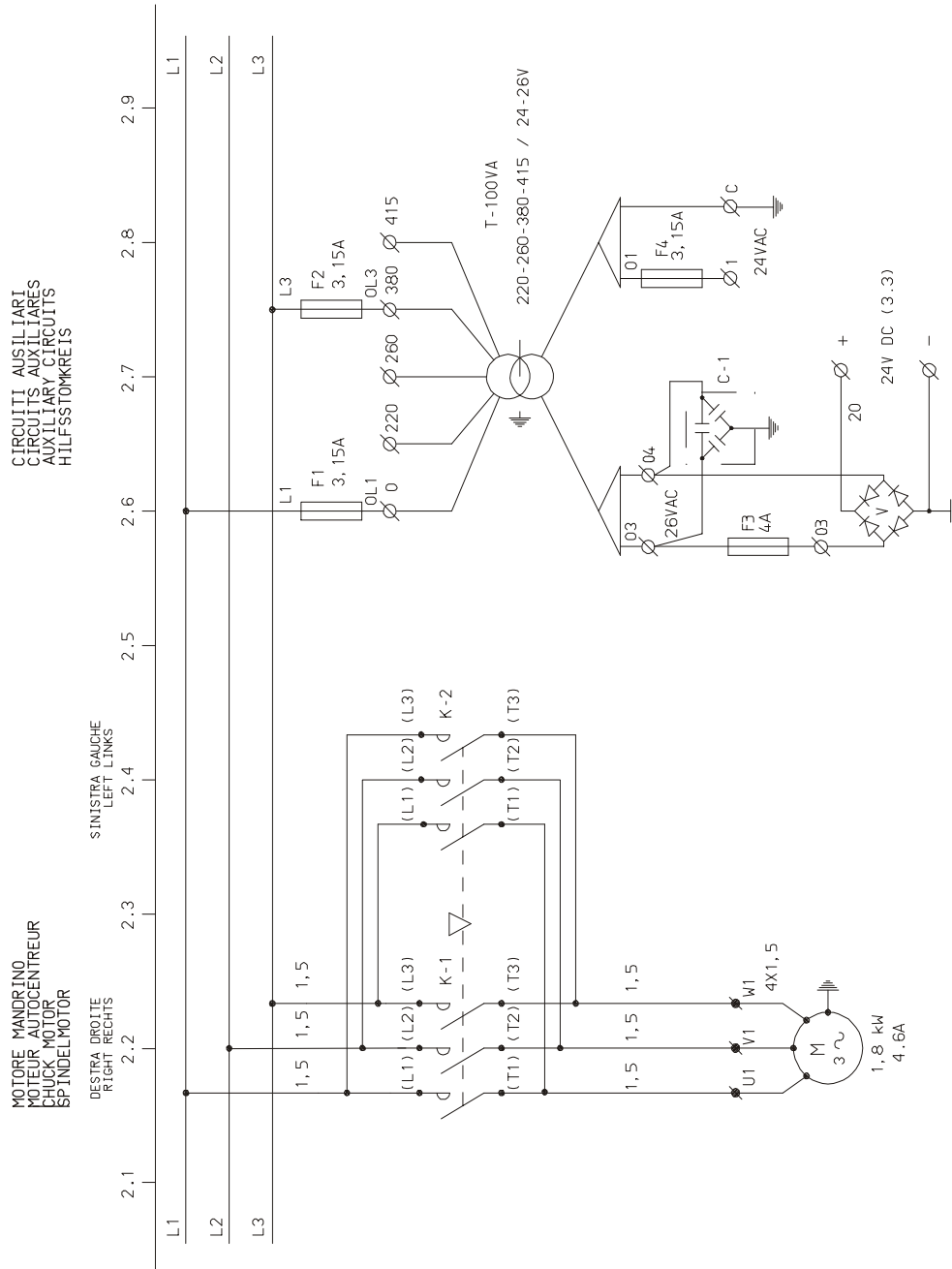
CAPACITA' TOTALE FULLVOLUMEN  
CONTENENZA TOTALE TOTAL CAPACITY } 5L  
VISCOSITA' DRUCKFLUSSIGKEIT } HLP 36  
VISCOSITE' VISCOSITY

GRUPPO GRUPPE GROUP	PAGINA BLATT PAGE	Nr. PAGINE V. BLATT Nr. DE PAGES Nr. OF PAGES
	1	2
CLIENTE BESTELLER CLIENT	FIRMA GEZ. SIGNATURE COMPAGNI D.	
Nr. ORDINE COMMANDE Nr.	DATA DATUM DATE	
	2600	28/02/94
CODICE N°. ZEICHNUNGS N°. CODE N°.	SCHEMA IMPianto IDRAULICO BK 2600	
	SCHEMA HYDRAULISCHEN EINRICHTUNG BK 2600	
FAMIGLIA 824	VISTO GEPRÜFT CONTROLE PAR TESTED BY	
	SCHEMA INSTALLATION HYDRAULIQUE BK 2600	
Nr.	MODIFICA ÄNDERUNG MODIFICATION	CHANGE





ORIGINE : CODICE NT 941301		GRUPPO GRUPE GROUP	PAGINA BLATT PAGE	Nr. PAGINE V. BLATTES Nr. DE PAGES
			1	6
		CLIENTE BESTELLER CLIENT CUSTOMER	Nr. ORDINE COMMANDE Nr.	
		FIRMA GEZ. SIGNATURE COMPAGNI D.	DATA DATUM DATE	
		GOSTRUITO IN FABRIQUE EN MADE ITALY	2600	
		TIPO MODELE MODEL	2600	
		CODICE MACCHINA INVENTAR Nr. MACHINE REF. CODE MACHINE	FUSARI	
1	VEDI TABELLA	DATA DATUM DATE	05-09-97	
Nr.	MODIFICAZIONE AENDERUNG	MODIFICATION CHANGE	NAME	
			SCHEMA ELETTRICO BK 2600 SCHEMA ELECTRIQUE BK 2600 ELECTRIC DIAGRAM BK 2600 SCHALTPLAN BK 2600	
			Zeichnungs Nr. 0016637	
			FAMIGLIA 824	



MOTORE MANDRINO  
MOTEUR AUTOCENTREUR  
CHUCK MOTOR  
SP INDELMOTOR

DESTRA DROITE  
RIGHT RECHTS

SINISTRA GAUCHE  
LEFT LINKS

CIRCUITI AUSILIARI  
CIRCUITS AUXILIAIRES  
AUXILIARY CIRCUITS  
HILFSSSTOMKREIS

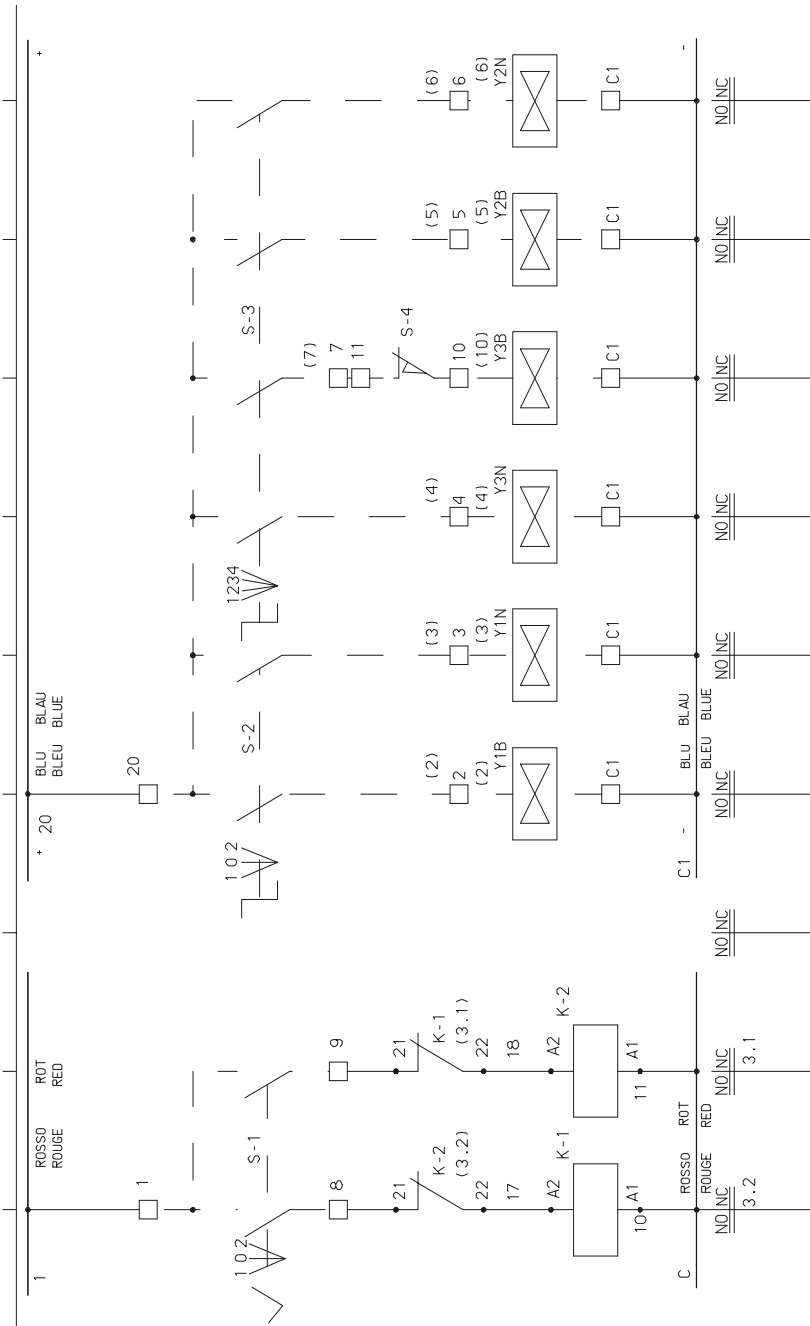
ORIGINE : CODICE NT 941302		PAGINA Nr. PAGINE BLATT V. BLATT PAGE Nr. DE PAGES	
GRUPPO GRUPPE GROUP		2	
CLIENTE BESTELLER CLIENT		No. ORDINE. AUFTRAG Nr. COMMANDE Nr. P.D.NUMBER	
FIRMA, GEZ. SIGNATURE COMPAGNI D.		DATA DATUM DATE 17-03-94	
COSTRUITO IN FABBRICAT IN FABRIQUE EN MADE		ITALY	
TIPO TYP MODELLE MODEL		2600	
CODICE MACCHINA INVENTARI Nr. MACHINE CODE		FUSARI	
DATA DATUM DATE		05-09-97	
MODIFICA AENDERUNG MODIFICATION CHANGE		NONE NAME	
VEDI TABELLA		SCHEMA ELETTRICO BK 2600 SCHEMA ELECTROUE BK 2600 ELECTRIC DIAGRAM BK 2600 SCHALTAFELPLAN BK 2600	
Nr.		CODICE Nr. ZEICHNUNGS Nr. CODE Nr.	
		0016637	
		FAMIGLIA 824	

158-a-Nov-03





**ROTATIONE MANDRINO**  
 ROTATION MANDRIN  
 SPINDELROTIERUNG  
 DESTRA  
 RECHTS  
 DROIT  
 RIGHT  
 3.1  
 SINISTRA  
 LINKS  
 GAUCHE  
 LEFT  
 3.2  
 SBLOCCAGGIO  
 AUFHEBUNG  
 DEBLOCAGE  
 DECHUCKING  
 3.4  
 BLOCCAGGIO  
 BLOCKIERUNG  
 BLOCAGE  
 LOCKING  
 3.5  
 SALITA  
 AUFGANG  
 MOTE  
 RISE  
 3.6  
 DISCESA  
 ABHANG  
 DESCENTE  
 DESCENT  
 3.7  
 DESTRA  
 RECHTS  
 DROIT  
 RIGHT  
 3.8  
 SINISTRA  
 LINKS  
 GAUCHE  
 LEFT  
 3.9



GRUPPO PAGINA GROUPE BLATT GROUP Nr. OF PAGES 3		ORIGININE : CODICE NT 941303	
CLIENTE BESTELLER CLIENT CUSTOMER		Nr. ORDINE COMMANDE Nr. P.D. NUMBER	
FIRMA GEZ. SIGNATURE COMPAGNI D.		DATA DATUM DATE 17-03-94	
COSTRUITO IN FABRIKAT IN FABRIQUE EN MADE ITALY		TIPO TYP MODELE MODEL 2600	
CODICE MACCHINA INVENTAR Nr. MACHINE REF. CODE MACHINE		SCHEMA ELETTRICO BK 2600 SCHEMA ELECTRIQUE BK 2600 ELECTRIC DIAGRAM BK 2600 SCHALT TAFELPLAN BK 2600	
VEDI TABELLA MODIFICA AENDERUNG MODIFICATION CHANGE		DATA DATUM DATE 05-09-97 FUSARI NOME NAME	
CODICE N°. CODE Nr. FAMILIJA CODE 0016637 824		ZEICHNUNGS Nr. 6	



ROTAZIONE MANDRINO  
ROTATION MANDRIN  
CHUCK ROTATION  
SP INDELDREHUNG

DESTRA  
DROIT  
RIGHT  
4.1

MOVIMENTI DEL MANDRINO  
MOVEMENTS DU MANDRIN  
CHUCK CARRIAGE MOVEMENTS  
SP INDELBEWEGUNGEN

SALITA  
AUFGANG  
RISE  
4.6

MOVIMENTI DEL CARRELLO  
MOVEMENTS DU CHARRIOT  
TOOL HOLDER MOVEMENTS  
WAGENBEWEGUNGEN

DESTRA  
DROIT  
RIGHT  
4.8

DISCESA  
ABHANG  
DESCENTE  
4.7

BLOCCAGGIO  
BLOCKIERUNG  
BLOCKING  
4.5

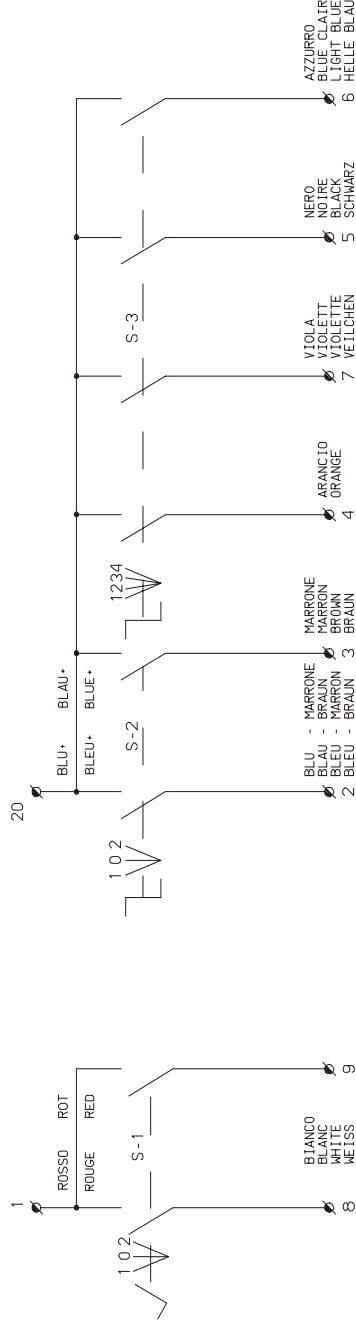
SBLOCCAGGIO  
AUFHEBUNG  
DEBLOCKAGE  
4.4

4.3

4.2

4.1

SCHEMA ELETTRICO PEDALIERA PER BK-2600  
SCHEMA ELECTRIQUE COMMANDES BOXER KING 2600  
ELECTRIC DIAGRAM FOOTBOARD BOXER KING 2600  
BOXER KING 2600 PEDALSCHALTPLAN



8  
BIANCO  
BLANC  
WEISS

9  
NERO  
NOIR  
SCHWARZ

5  
VIOLA  
VIOLETTE  
VIOLETTEN

4  
ARANCIO  
ORANGE

3  
MARRONE  
BRUN  
BRAUN

2  
BLU - MARRONE  
BLAU - BRAUN  
BLEU - BRAUN

1  
BLU\*  
BLEU\*

2  
BLU  
BLEU

3  
MARRONE  
BRUN  
BRAUN

4  
ARANCIO  
ORANGE

7  
VIOLA  
VIOLETTE  
VIOLETTEN

6  
AZZURRO  
BLEU  
HELLE BLAU

NO/NC

NO/NC

NO/NC

NO/NC

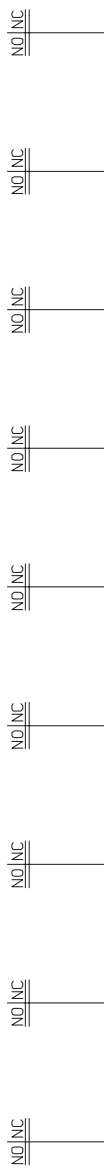
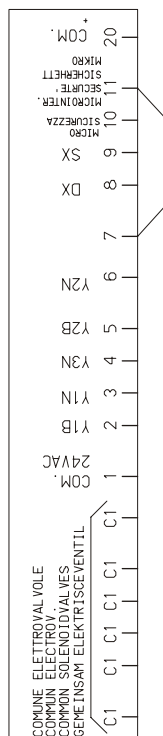
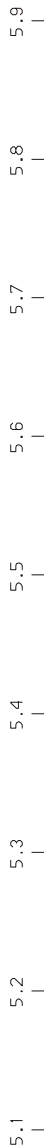
NO/NC

ORIGINE : CODICE NT 941304

GRUPPO BLATT PAGE	PAGINA Nr. V. N°.	CLIENTE BESTELLER CUSTOMER	FIRMA, GEZ. SIGNATURE COMPAGNI D.	COSTRUITO IN FABBRICAT IN	FABRITIQUE EN	DATA DATUM DATE	N. ORDINE COMMANDE N°.	PAGINA Nr. V. N°.	FAMIGLIA GROUP	CODICE Nr. CODE N°.	ZEICHNUNGS Nr. DRAWING N°.
VEDI TABELLA		SCHEMA ELETTRICO BK 2600 SCHEMA ELECTRIQUE BK 2600 ELECTRIC DIAGRAM BK 2600 SCHALTPLAN BK 2600		ITALY		17-03-94	SCHEMA ELETTRICO BK 2600 SCHEMA ELECTRIQUE BK 2600 ELECTRIC DIAGRAM BK 2600 SCHALTPLAN BK 2600		824		
1	VEDI TABELLA	FUSARI		TYP MODELE MODEL		2600	VISTO GERÜFT KONTROLLIERT TESTED BY		824		
Nr.	MODIFICA ÄNDERUNG	MODIFICATION CHANGE		DATA DATUM DATE		05-09-97	FUSARI		824		



MORSETTIERA QUADRO ELETRICO BK-2600  
 BLOC TERMINAL ARMOIRE ELECTRIQUE BX 2600  
 TERMINAL BLOC-ELECTRIC CABINET BX 2600  
 BOXER KING 2600 KLEMMLEISTE SCHALTPLAN



ORIGINE : CODICE NT 941305

1	VEDI TABELLA	05-09-97	FUSARI	VISTO GEPRÜFT CONTROLE PAR TESTED BY	SCHEMA ELETRICO BK 2600 SCHEMA ELECTRIQUE BK 2600 ELECTRIC DIAGRAM BK 2600 SCHALT TAFELPLAN BK 2600	SCHEMA ELETRICO BK 2600 SCHEMA ELECTRIQUE BK 2600 ELECTRIC DIAGRAM BK 2600 SCHALT TAFELPLAN BK 2600	GRUPPO PAGINA Nr. PAGINE GRUPE BLATT V. BLATTES GROUPE FICHE Nr. DE PAGES GROUP CODE Nr. CODE 5 6										
		17-03-94	COMPAGNI D.	DATA DATUM DATE	Nr. ORDINE AUFTRAG-Nr. COMMANDE Nr. P.D NUMBER												
		05-09-97	FUSARI	DATA DATUM DATE	NO INC	NO INC		NO INC	NO INC	NO INC							
Nr.	MODIFICA AENDERUNG MODIFICATION CHANGE		NO INC	NO INC	NO INC	NO INC	NO INC	NO INC	NO INC	NO INC	NO INC	NO INC	NO INC	NO INC	NO INC	NO INC	NO INC



5.2 5.7	1	MORSETTIERA COMPONIBILE A 12 MORSETTI ZUSATZBARE KLEMMENREIHE MIT 12 KLEMMEN COMPONENT TERMINAL WITH 12 CHARGING CLIPS	BK-12	WEIDMULLER
5.2 5.7	1	MORSETTIERA COMPONIBILE A 6 MORSETTI ZUSATZBARE KLEMMENREIHE MIT 6 KLEMMEN BOTTE A BORNES AVEC 6 BORNES KLEMMEN COMPOSABLE TERMINAL WITH 6 CHARGING CLIPS	BK-6	WEIDMULLER
3.7	S-4	MICROINTERRUTTORE DI SICUREZZA SICHERHEITSKLEINSCHALTER MICRO-INTERRUPTEUR DI SECURITE SECURITY MICROSWITCH	FP 601	PIZZATO
3.5 3.9	S-3	COMPUTATORE A OTTO POSIZIONI VIER LAGE KOMMUTATOR COMMUTATEUR A QUATRE POSITIONS FOUR POSITION COMMUTATOR		GS
3.4	S-2	COMPUTATORE A DUE POSIZIONI ZWEI LAGE KOMMUTATOR COMMUTATEUR A 2 POSITIONS TWO POSITION COMMUTATOR		GS
3.1	S-1	COMPUTATORE A PEDALE PEDALKOMMUTATOR COMMUTATEUR A PEDALE PEDAL COMMUTATOR		GS
	C-1	CONDENSATORE FILTRO FILTER KONDENSATOR SUPPRESSOR CAPACITOR	PZB 300MC13	EVOX RIFA
2.7	T	TRASFORMATORE MONOFASE 100VA EINPHASIGER TRANSFORMATOR 100VA TRANSFORMATEUR MONOPHASE 100VA MONOPHASE TRANSFORMER 100VA	13814-16	ARES
2.6	V	PONTE DI RADDRIZZATORI 25A 400V GLUCHRICHTERBRUECKE 25A 400V PONT CONVERTITEUR 25A 400V LINK-CONVERTER 25A 400V	KBPC2508	MIC
2.6	F3	FUSIBILE SCHWELZSICHERUNG 5x20 4A FUSE 5x20 4A	5x20 4A	WEBER
2.6 2.8 2.8	F1 F2 F4	FUSIBILE SCHWELZSICHERUNG 5x20 3.15A FUSE 5x20 3.15A	5x20 3.15A	WEBER
2.6 2.6 2.8 2.8	F1 F3 F2 F4	PORTAFUSIBILE SCHWELZSICHERUNGSHALTER PORTE FUSIBILE FUSEHOLDER	SFR-4	CABUR
2.3	1	INTERBLOCCO MECCANICO PER CONTATTORI MECHANISCHEN ZWISCHENBLOCK FUER KONTAKTUEBER MECHANICAL SECURITY FOR CONTACTORS	3RA1924-7B-3RA 1923-2A	SIEMENS
2.1 2.2	K-1 K-2	CONTATTORE TRIPOLARE 24VAC 50/60HZ 5.5KH DREIPHASIGE KONTAKTUEBER 24VAC 50/60HZ 5.5KH COMPUTER 3 POLAIRES 24VAC 50/60HZ 5.5KH THREEPOLAR METER 24VAC 50/60HZ 5.5KH	3RT1024-1AC20	SIEMENS
1.6	0-3	INTERRUTTORE AUTOMATICO MAGNETOTERMICO 3x25A AUTOMATISCHEN SCHALTER THERMOMAGNETO 3x25A INTERRUPTEUR AUTOMATIQUE THERMIQUE 3x25A MAGNETHERMO AUTOMATIC SWITCH	5SY3 3Z7-7	SIEMENS
1.4	0-2	SALVAVITTORE MAGNETOTERMICO TRIPOLARE 47/6.3A SECURITÄT FÜR DREI PHASIGEN STROMBRECHER THREEPHASE MAGNETHERMO CIRCUITBREAKER	3RY1011-1EA10	SIEMENS
1.2	0-1	INTERRUTTORE BLOCCO PORTA LUCCHETTABILE 3X16A SCHALTER TÜR BLOCCO LERUNG 3x16A INTERRUPTEUR BLOCAGE PANNEAU 3x16A SWITCH FOR DOOR LOCKING	CO06003X16	WEWER
POS. REF.	Q.T.A. STÜCK O.TE. O.TY	SIGLA E NORMA TYP- UND NORMENBEZEICHNUNG REF. ET NORMATIF		PRODUTTORE/FORNITORE HERSTELLER/LIEFERANT PRODUCTEUR/SUPPLIER
2		AGGIORNATO ELENCO COMPONENTI		22-10-03 BARGAZZI
1		AGGIORNATO SCHEMA: INSERITO CONDENSATORE FILTRO ALLA POS. 2.7		05-09-97 FUSARI
Nr.		MODIFICA AENDERUNG MODIFICATION CHANGE		DATA DATE NOME NAME

ORIGINE : CODICE NT 941306	
GRUPPO GRUPPE GROUP	PAGINA BLATT PAGE
CLIENTE BESTELLER CLIENT	Nr. ORDINE COMMANDE Nr.
FIRMA, GEZ. SIGNATURE COMPAGNI D.	DATA DATUM DATE
TIPO MODEL MODELE	2600
CODICE MACCHINA INVENTAR Nr. CODE MACHINE	SCHEMA ELETTRICO BK 2600 SCHEMA ELECTROUE BK 2600 ELECTRIC DIAGRAM BK 2600 SCHALTTAFELPLAN BK 2600
	0016637
	FAMIGLIA 824

158-a-Nov-03



®

#### **USA**

John Bean  
309 Exchange Avenue  
Conway, Arkansas 72032  
Tel.: (800) 362-8326 or (501) 450-1500  
Fax: (501) 450-1585

#### **CANADA**

John Bean  
6500 Millcreek Drive  
Mississauga, Ontario  
Canada L5N 2W6  
Tel: (905) 814-0114  
Fax: (905) 814-0110

#### **LATIN AMERICA**

International Equipment Group  
309 Exchange Avenue  
Conway, Arkansas 72032  
Tel.: (501) 450-1568  
Fax: (501) 450-2086

---

**Notice:** The information contained in this document is subject to change without notice. **John Bean** makes no warranty with regard to this material. **John Bean** shall not be liable for errors contained herein or for incidental consequential damages in connection with furnishings, performance, or use of this material.

This document contains proprietary information which is protected by copyright and patents. All rights are reserved. No part of this document may be photocopied, reproduced, or translated without prior written consent of **John Bean**.



is a registered trademark of John Bean and Snap-on Incorporated.