



T 5600 R

Spare Parts



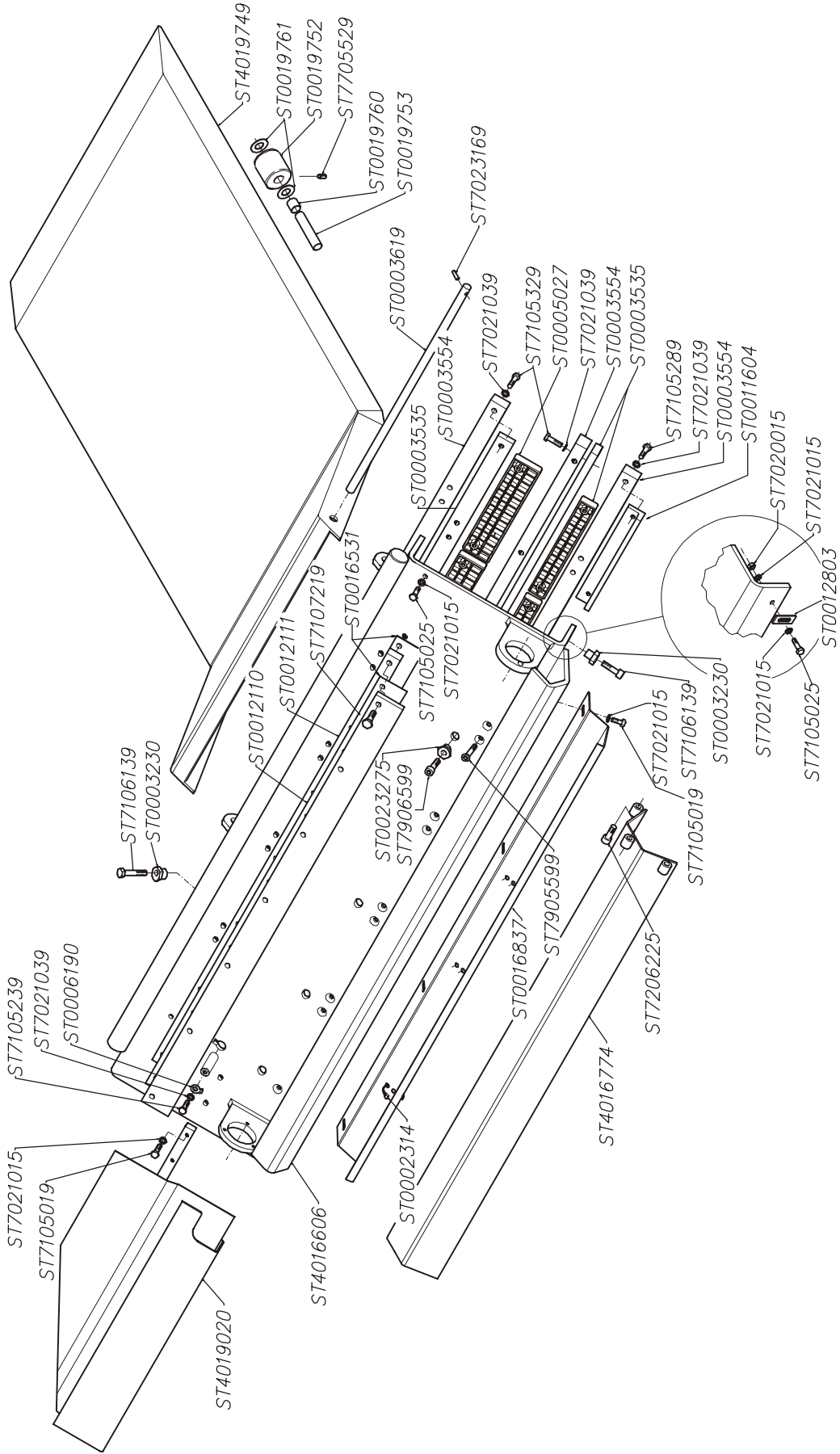


THIS PART IS FOR EXCLUSIVE USE OF QUALIFIED PERSONNEL FOR MAINTENANCE AND SERVICE PURPOSES.

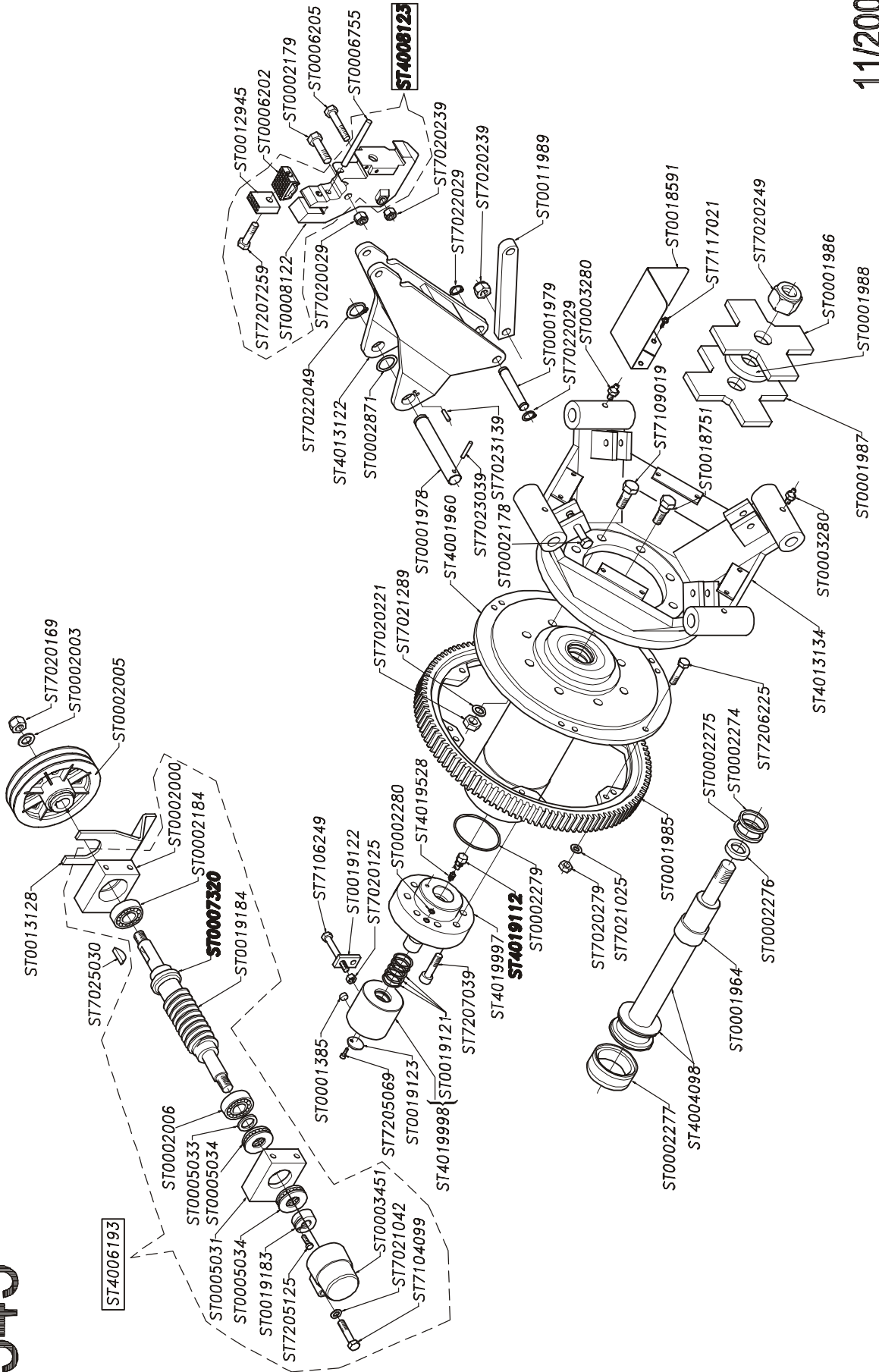
162-a-Nov-03

ST000000 - BOLD TYPE CODES MEANS: SUGGESTED SPARE PARTS

1355



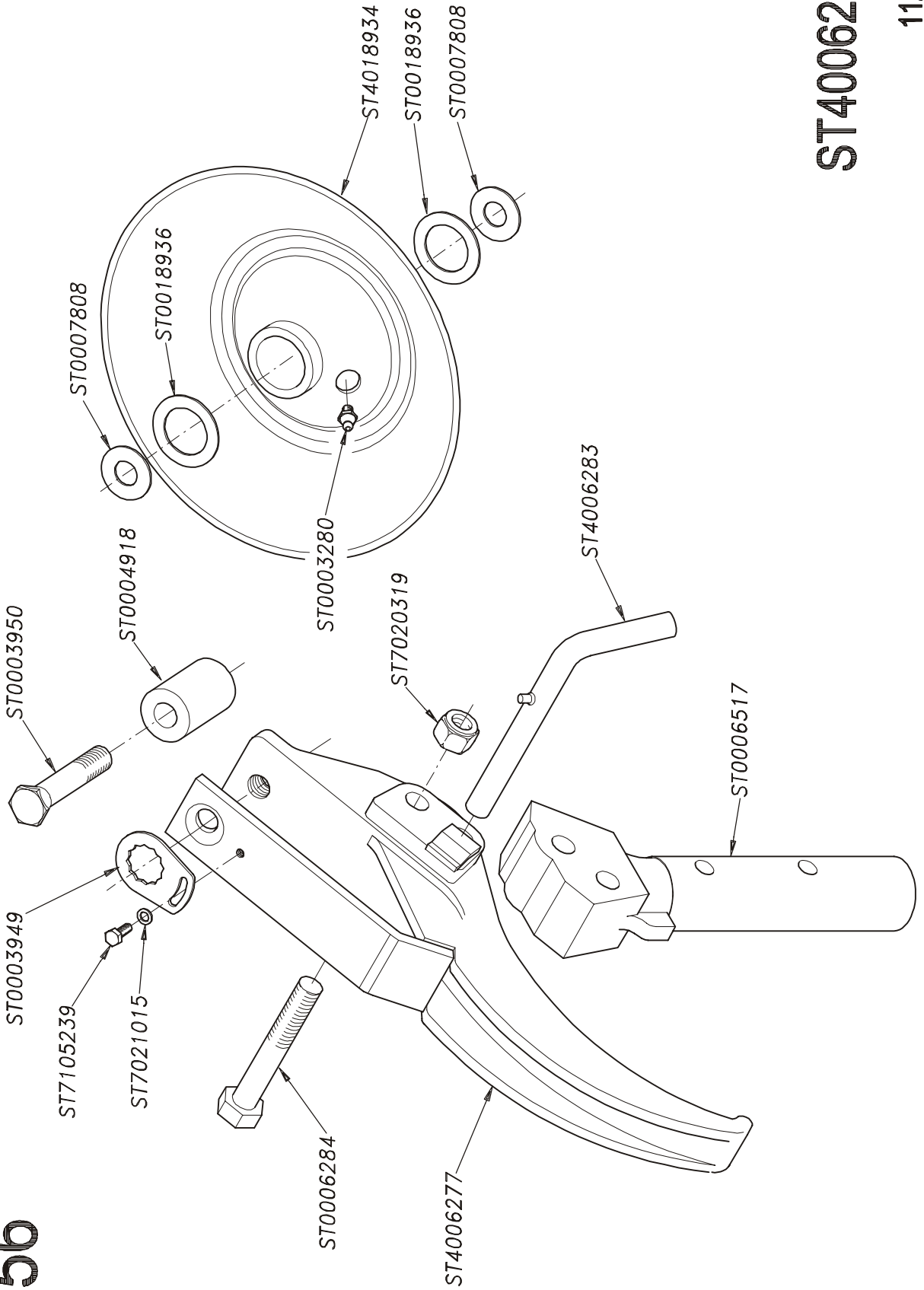
1345



162-a-Nov-03



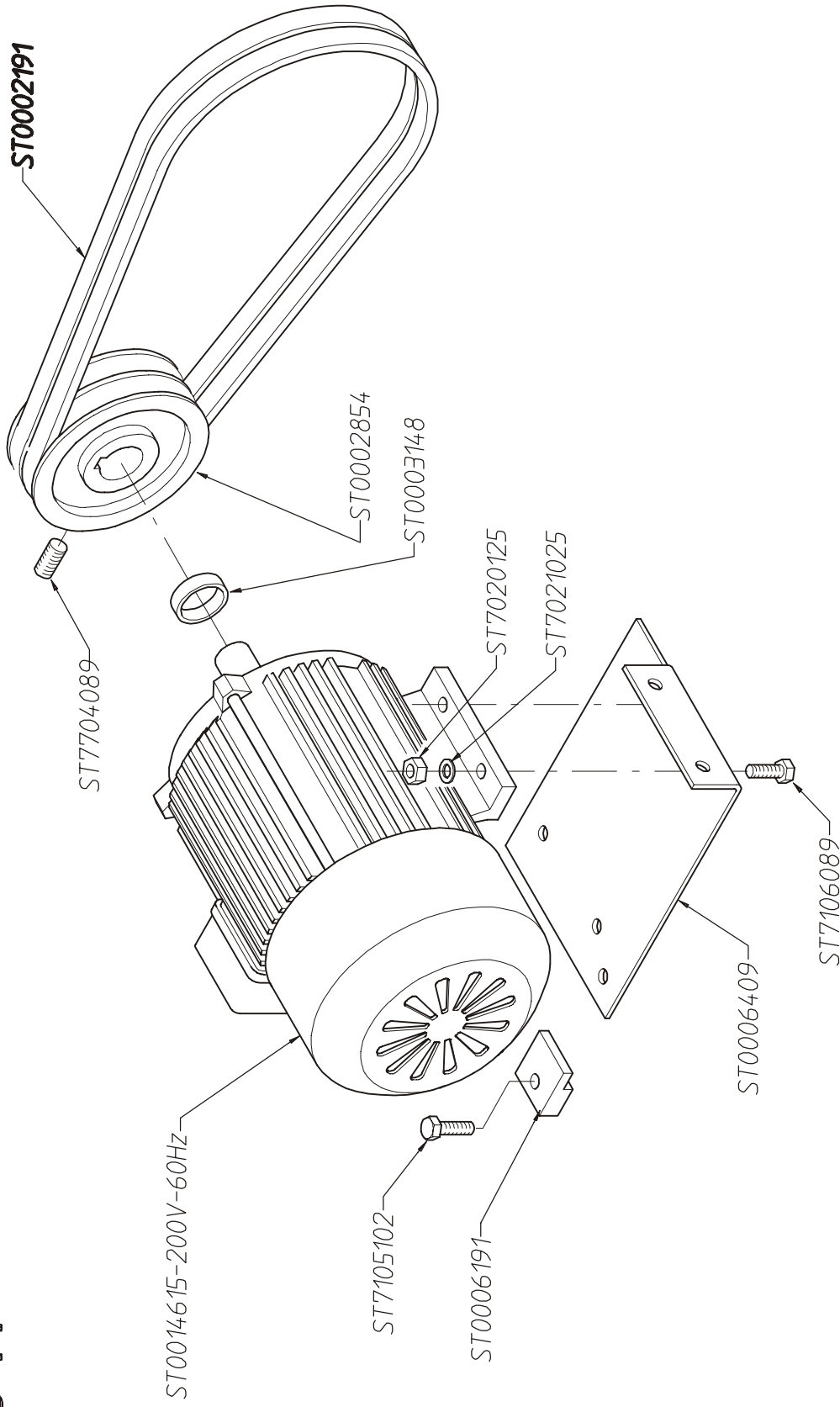
1356



ST4006271

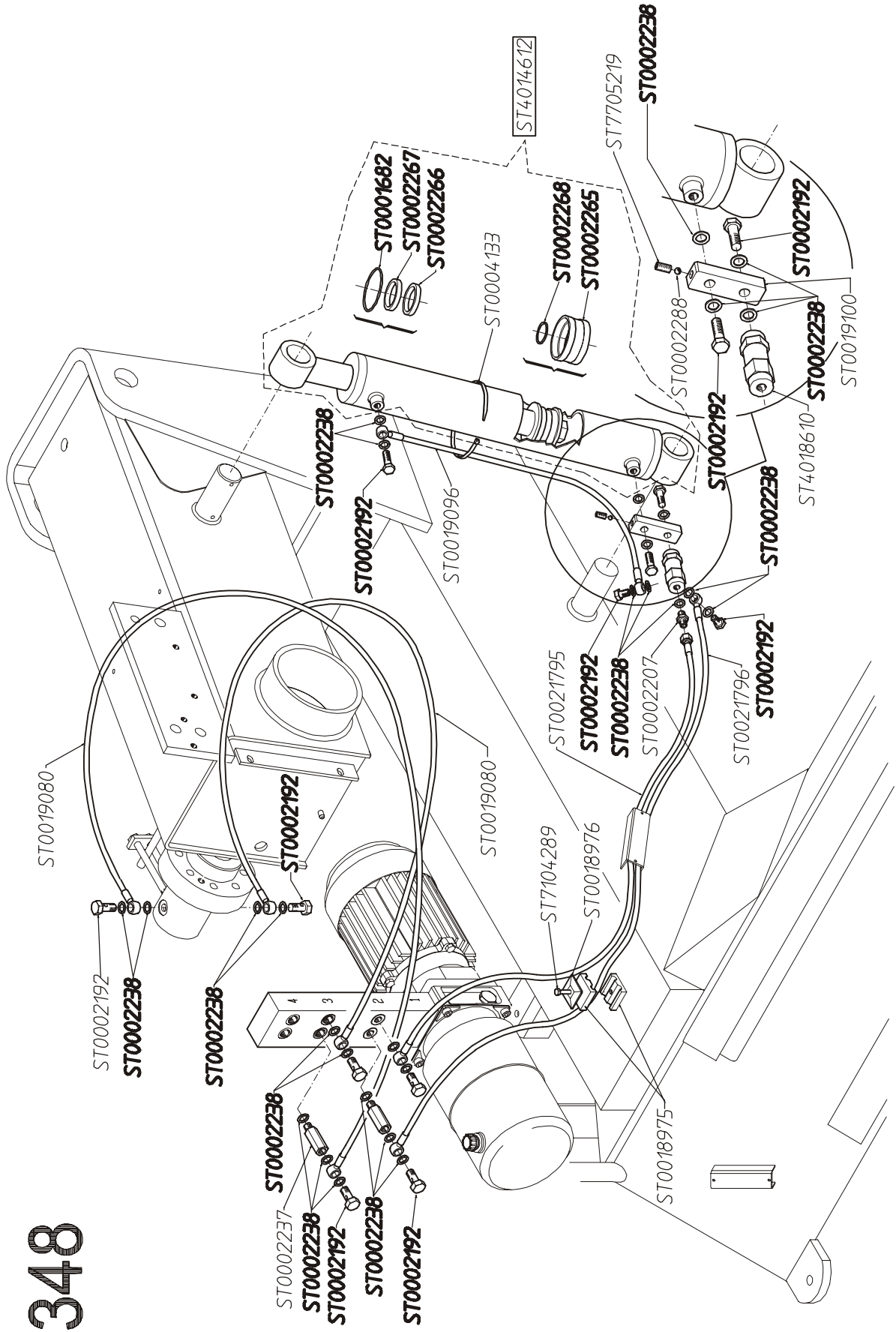
11/2003

1347



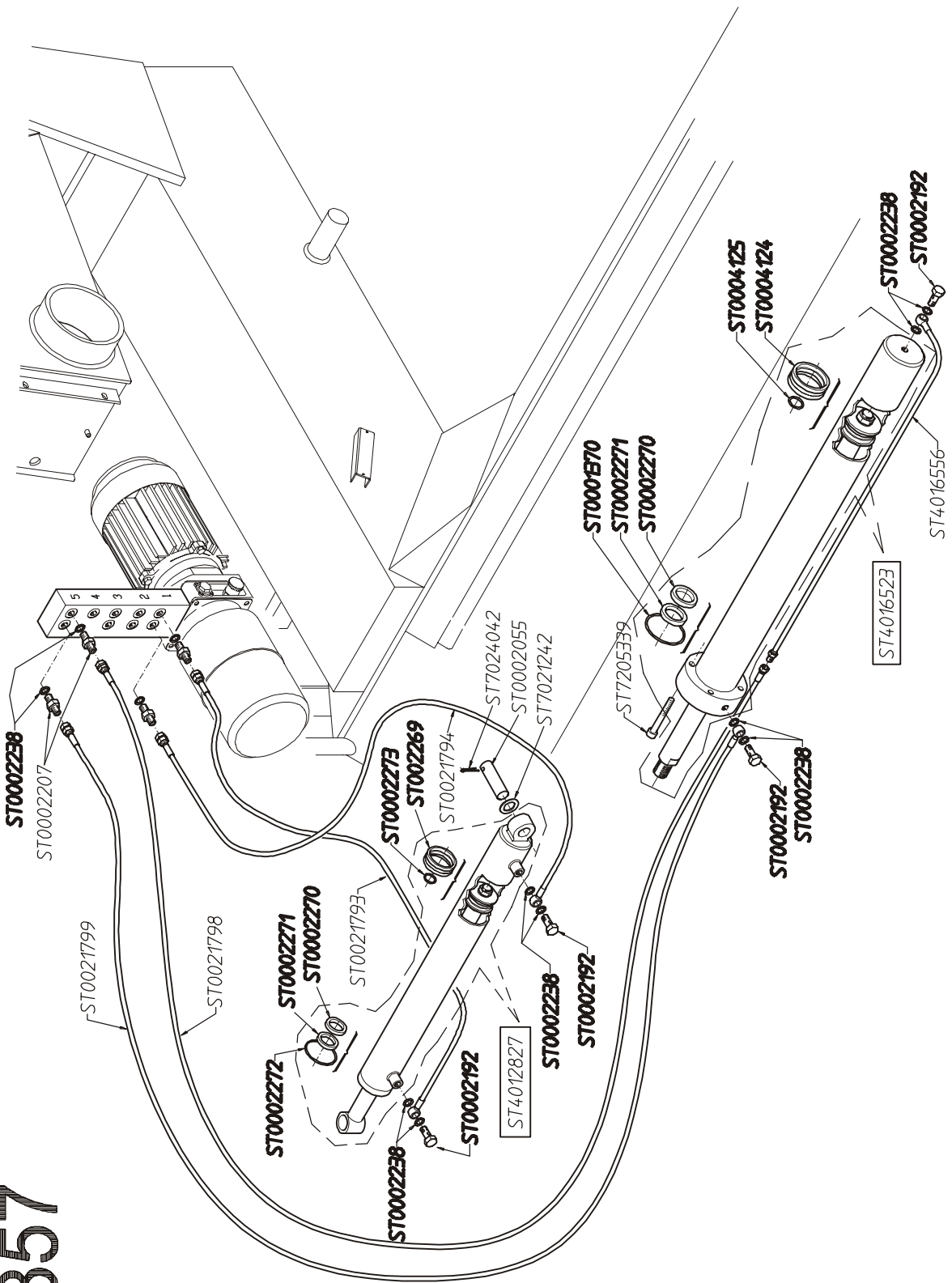
11/2003

1348



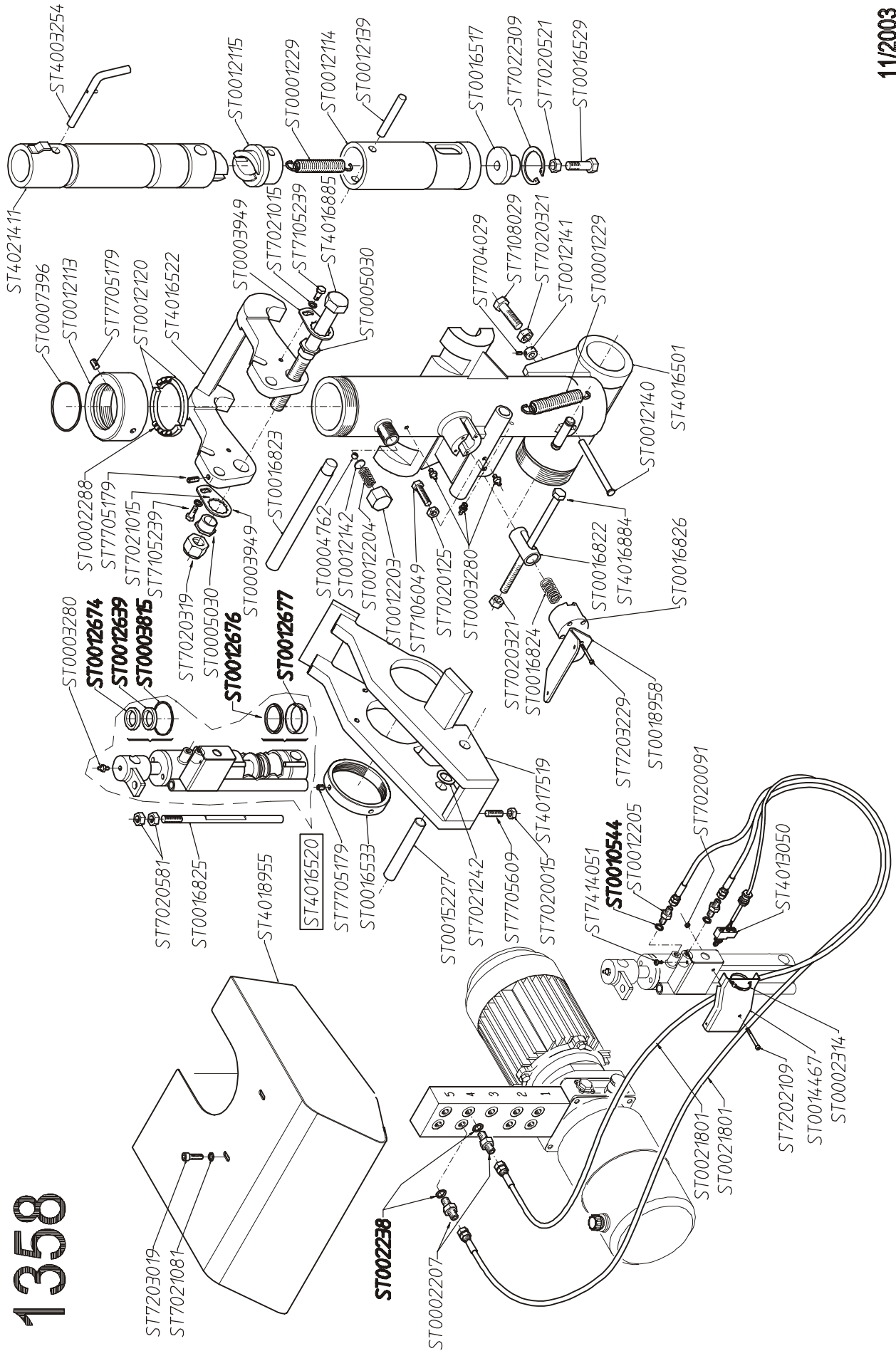


1357

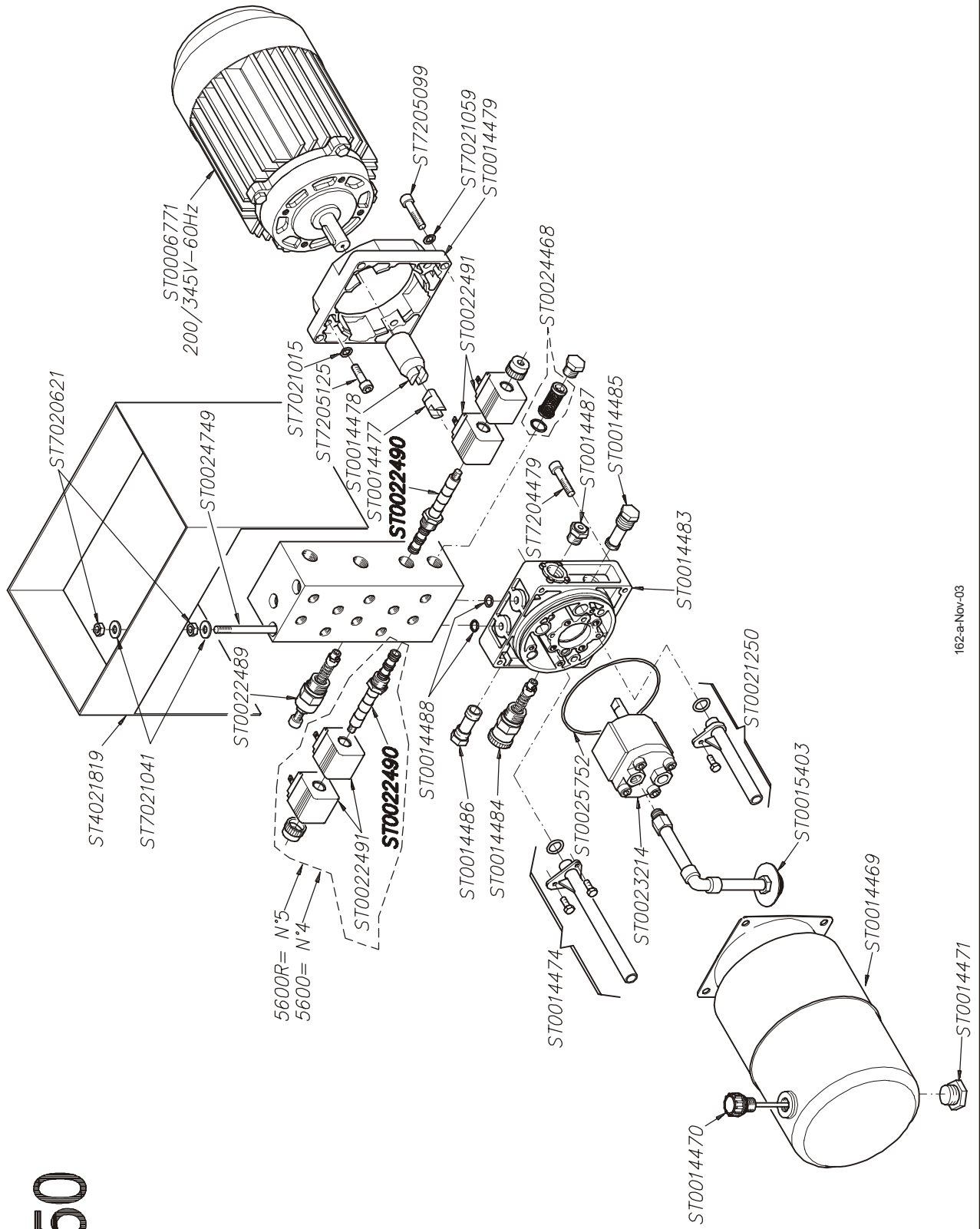


11/2003

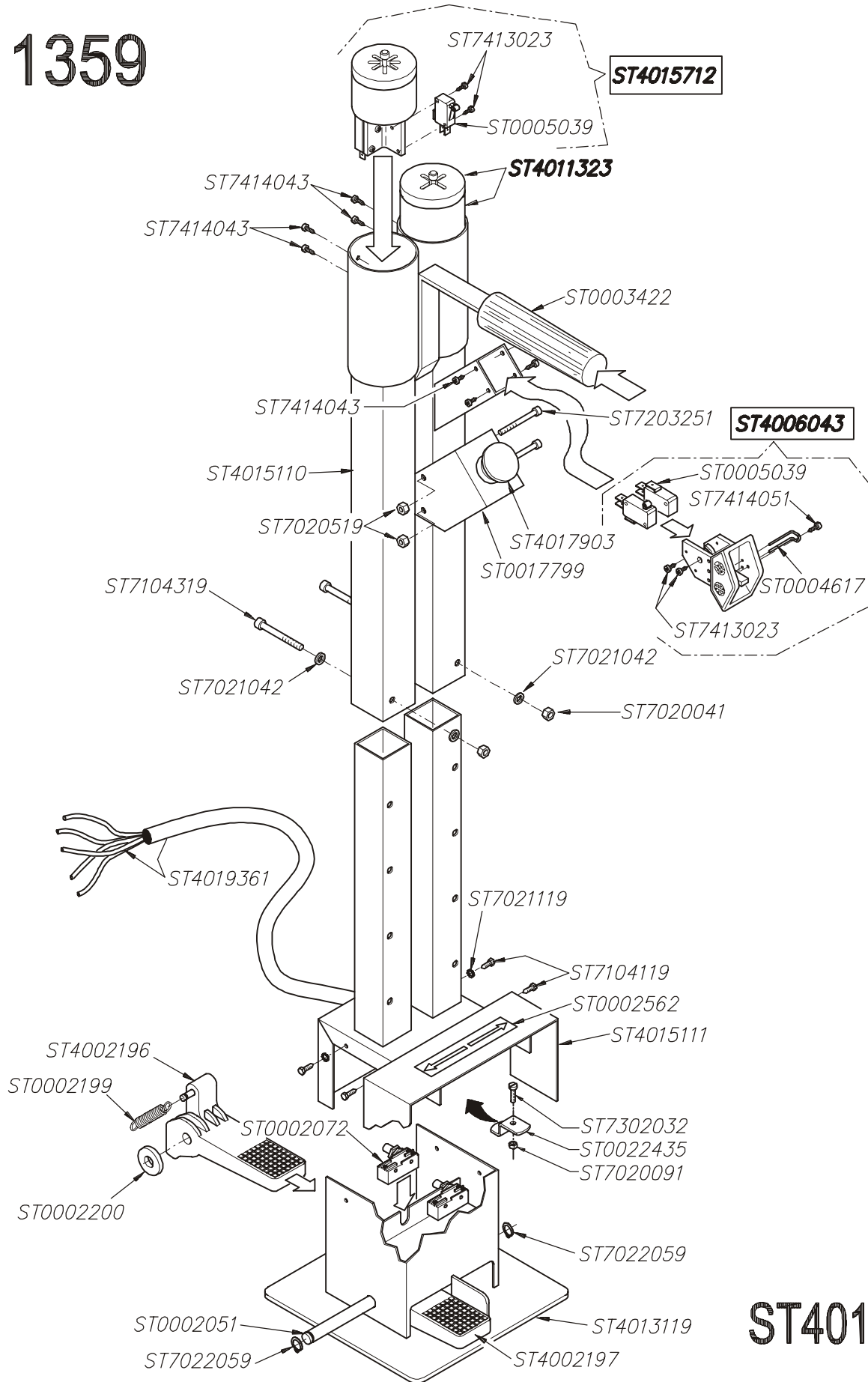
1358



1350



1359

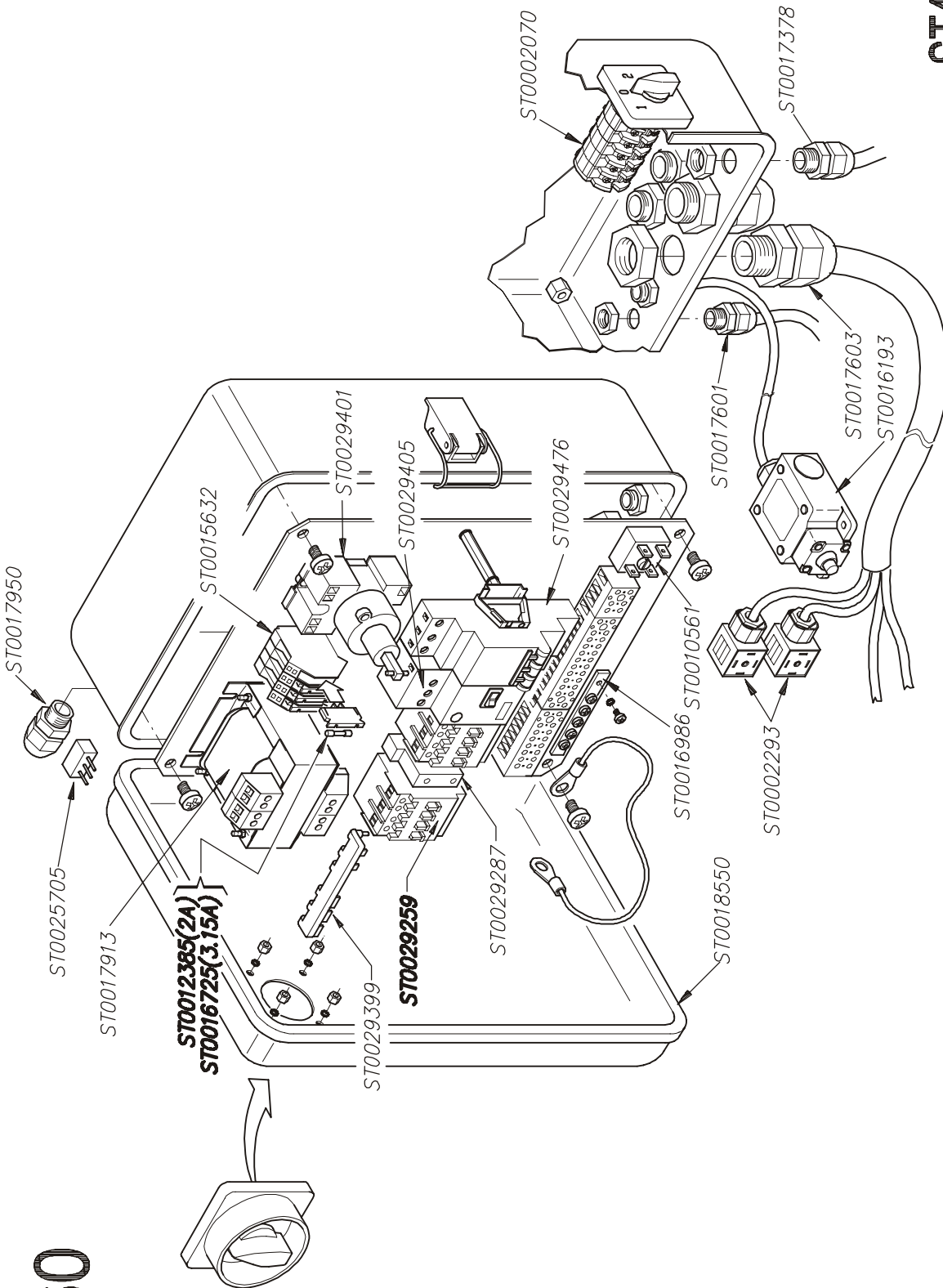


162-a-Nov-03

ST4017956

11/2003

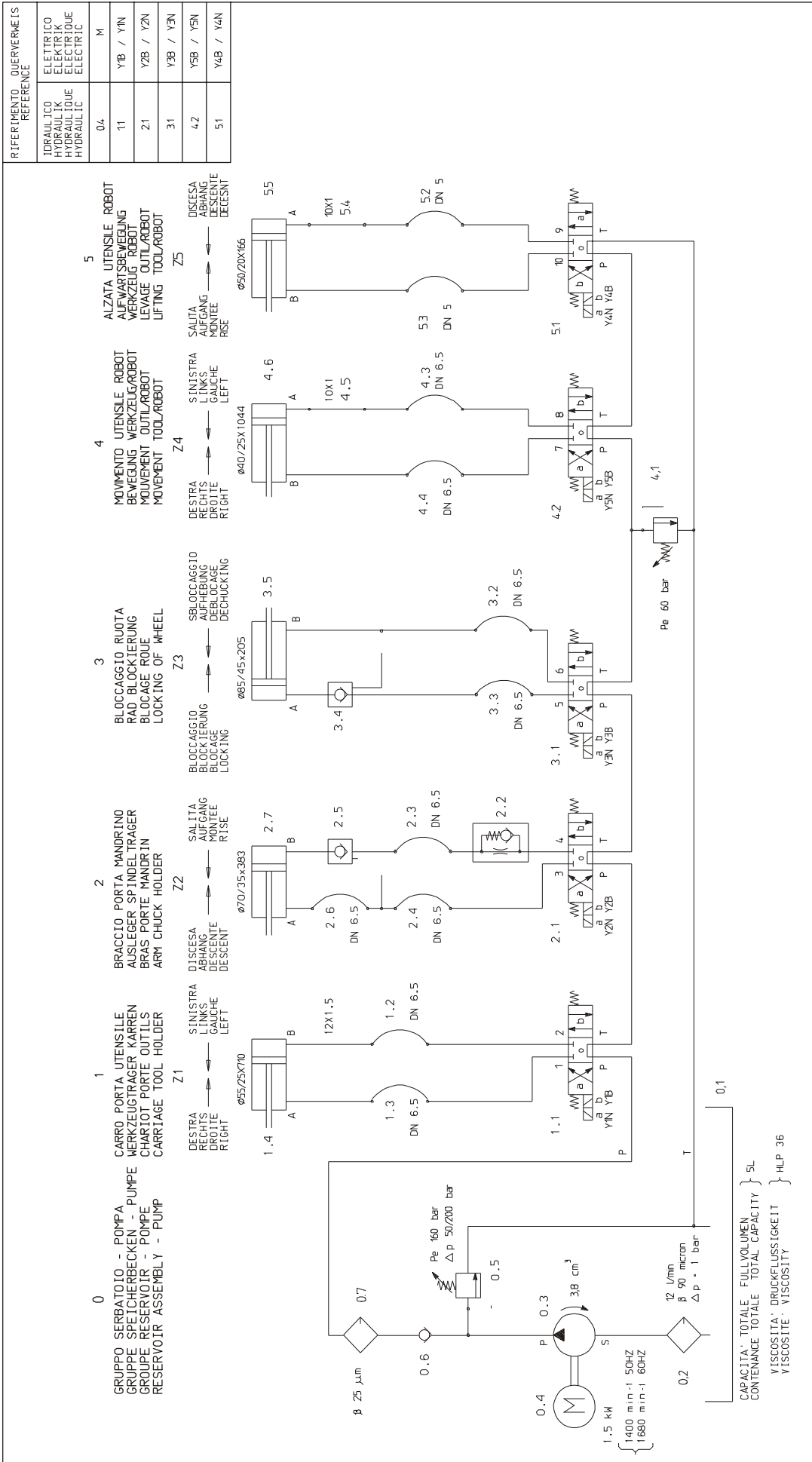
1360



ST4027020

11/2003





3	AGGIUNTO FILTRO N°07 A PARTIRE DA 01-01-2000 ADDED FILTER N°07 FROM 01-01-2000 RAJOUTÉ FILTRE N°07 A PARTIR DE 01-01-2000 ZUGEFÜGTE FILTER N°07 VON 01-01-2000	FUSARI	FIRMA SIGNATURE DATE	09-01-98	CLIENT CUSTOMER	N° ORDINE COMMAND N°	PAGINA BLATT PAGE	N° PAGINE V. BLATT N° DE PAGES N° OF PAGES
								1
2	SOSTITUISCE LO SCHEMA COD. 0018547 DEL 11-04-96 A PARTIRE DALLA MATRICOLA N°2977702	P. Alberto	FUSARI	09-01-98	ITALY	N° ORDINE COMMAND N°	52MR	1
1	SOSTITUISCE LO SCHEMA COD. 0018547 DEL 17-01-95 A PARTIRE DALLA MATRICOLA N°2977702	FUSARI	FUSARI	11-04-96	COSTRUITO IN FABBRICAZIONE EN MADE IN ITALY	N° ORDINE COMMAND N°	SCHEMA MACCHINA INVENTAR N° MACHINE REF. CODE MACHINE	SCHEMA HYDRAULISCHEN BK5600R CE SCHEMA HYDRAULIQUE BK5600R CE SCHEMA HYDRAULIC BK5600R CE
N°.	MODIFICA AENDERING MODIFICATION CHANGE			162-a-Nov-03	CODICE N° CODE N°	FAMIGLIA	824	0018547



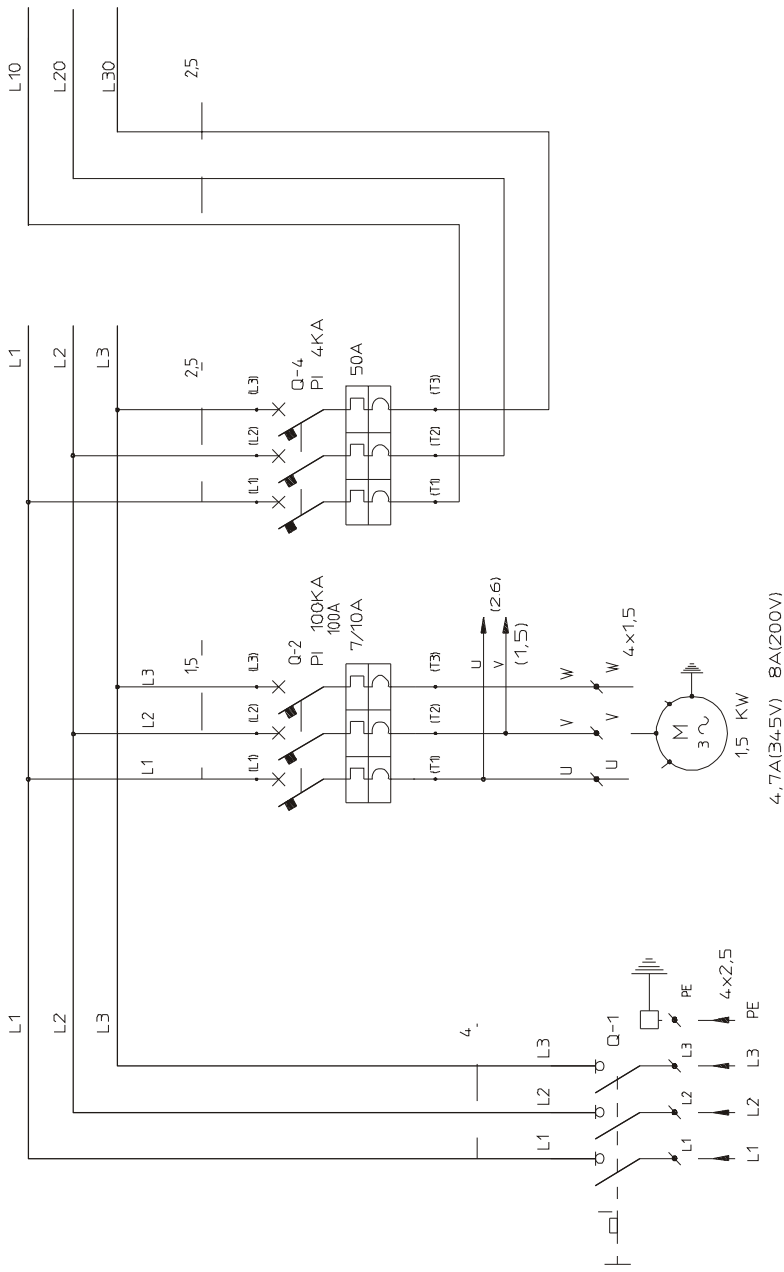
Pos.	Q.T.A. STÜCK O.TE O.TY	SIGLA E NORMA TYP - UND NORMENBEZEICHNUNG REF. ET NORMATIVE	DENOMINAZIONE BENENNUNG DESCRIPTION	FABRITATO IN MADE IN	FIRMA SIGNATURE	DATA DATUM DATE	NOME NAME	CODICE INVENTAR-NR. CODE MACHINE	VISTO GEPRÜFT TESTED BY	LISTA COMPONENTI MUSTER-STÜCKLISTE LISTE COMPOSANTES HYDRAULIC SYSTEM	SIGLA E NORMA TYP - UND NORMENBEZEICHNUNG REF. ET NORMATIVE	DESCRIPTIO DESCRIPTION	CLIENTE BESTELLER CUSTOMER	GRUPPO GRUPPE GROUP	PAGINA V. BLATT N° . DE PAGES N° . OF PAGES	I. S. I.		
																STILFRENI	OLIVI	
2.6	1	SAE 100 R7 DN1/4"	TUBO FLESSIBILE SCHLAUCH FLEXIBLE FLEXIBLE TUBE	OLMARK	55	1	CILINDRO A DOPPIO EFFETTO DOPPELWIRKENDE ZYLINDER CYLINDER AT DOUBLE EFFECT	OLMARK	STILFRENI	I. S. I.	OLIVI	OLMARK	OLMARK	OLMARK	OLMARK	OLMARK	OLMARK	OLMARK
2.5	1	SAE 100 R7 DN1/4"	VALVOLA DI NON RITORNO PILOTATA VENTIL OHNE RUECKGANG UND GESTEUERT VANNE DE NON RETOUR ENREGISTREE VALVE WITH NO RETURN REGISTERED	FLUIDPRESS ARON	54	1	TUBO IN FERRO EISEN ROHR ROD IRON	FLUIDPRESS ARON	54	1	TUBO IN FERRO EISEN ROHR ROD IRON	FLUIDPRESS ARON	FLUIDPRESS ARON	FLUIDPRESS ARON	FLUIDPRESS ARON	FLUIDPRESS ARON	FLUIDPRESS ARON	FLUIDPRESS ARON
2.4	1	SAE 100 R7 DN1/4"	TUBO FLESSIBILE SCHLAUCH FLEXIBLE FLEXIBLE TUBE	OLEOMARKET	53	1	TUBO FLESSIBILE SCHLAUCH FLEXIBLE FLEXIBLE TUBE	OLEOMARKET	53	1	TUBO FLESSIBILE SCHLAUCH FLEXIBLE FLEXIBLE TUBE	OLEOMARKET	OLEOMARKET	OLEOMARKET	OLEOMARKET	OLEOMARKET	OLEOMARKET	OLEOMARKET
2.3	1	SAE 100 R7 DN1/4"	TUBO FLESSIBILE SCHLAUCH FLEXIBLE FLEXIBLE TUBE	OLEOMARKET	52	1	TUBO FLESSIBILE SCHLAUCH FLEXIBLE FLEXIBLE TUBE	OLEOMARKET	52	1	TUBO FLESSIBILE SCHLAUCH FLEXIBLE FLEXIBLE TUBE	OLEOMARKET	OLEOMARKET	OLEOMARKET	OLEOMARKET	OLEOMARKET	OLEOMARKET	OLEOMARKET
2.2	1	SAE 100 R7 DN1/4"	VALVOLA DI NON RITORNO CON STROZZAMENTO VENTIL OHNE RUECKGANG MIT VERENGUNG VANNE DE NON RETOUR AVEC ETROUENEMENT NON RETOURING VALVE WITH NARROWING	G.S.	51	1	VALVOLA DIREZIONALE EINSEITIGE VENTIL VANNE DIRECTIONNELLE VALVE WITH COURSE	G.S.	51	1	VALVOLA DIREZIONALE EINSEITIGE VENTIL VANNE DIRECTIONNELLE VALVE WITH COURSE	G.S.	G.S.	G.S.	G.S.	G.S.	G.S.	G.S.
2.1	1	SAE 100 R7 DN1/4"	VALVOLA DIREZIONALE EINSEITIGE VENTIL VANNE DIRECTIONNELLE VALVE WITH COURSE	COMATROL	4.6	1	CILINDRO A DOPPIO EFFETTO DOPPELWIRKENDE ZYLINDER CYLINDER AT DOUBLE EFFECT	COMATROL	4.6	1	CILINDRO A DOPPIO EFFETTO DOPPELWIRKENDE ZYLINDER CYLINDER AT DOUBLE EFFECT	COMATROL	COMATROL	COMATROL	COMATROL	COMATROL	COMATROL	COMATROL
1.4	1	SAE 100 R7 DN1/4"	CILINDRO A DOPPIO EFFETTO DOPPELWIRKENDE ZYLINDER VANNE A DOUBLE EFFET CYLINDER AT DOUBLE EFFECT	I. S. I. STILFRENI	4.5	1	TUBO IN FERRO EISEN ROHR ROD IRON	I. S. I. STILFRENI	4.5	1	TUBO IN FERRO EISEN ROHR ROD IRON	I. S. I. STILFRENI	I. S. I. STILFRENI	I. S. I. STILFRENI	I. S. I. STILFRENI	I. S. I. STILFRENI	I. S. I. STILFRENI	I. S. I. STILFRENI
1.3	1	SAE 100 R7 DN1/4"	TUBO FLESSIBILE SCHLAUCH FLEXIBLE FLEXIBLE TUBE	OLMARK	4.4	1	TUBO FLESSIBILE SCHLAUCH FLEXIBLE FLEXIBLE TUBE	OLMARK	4.4	1	TUBO FLESSIBILE SCHLAUCH FLEXIBLE FLEXIBLE TUBE	OLMARK	OLMARK	OLMARK	OLMARK	OLMARK	OLMARK	OLMARK
1.2	1	SAE 100 R7 DN1/4"	TUBO FLESSIBILE SCHLAUCH FLEXIBLE FLEXIBLE TUBE	OLMARK	4.3	1	TUBO FLESSIBILE SCHLAUCH FLEXIBLE FLEXIBLE TUBE	OLMARK	4.3	1	TUBO FLESSIBILE SCHLAUCH FLEXIBLE FLEXIBLE TUBE	OLMARK	OLMARK	OLMARK	OLMARK	OLMARK	OLMARK	OLMARK
1.1	1	SAE 100 R7 DN1/4"	VALVOLA DIREZIONALE EINSEITIGE VENTIL VANNE DIRECTIONNELLE VALVE WITH COURSE	COMATROL	4.2	1	CILINDRO A DOPPIO EFFETTO DOPPELWIRKENDE ZYLINDER VANNE DIRECTIONNELLE VALVE WITH COURSE	COMATROL	4.2	1	CILINDRO A DOPPIO EFFETTO DOPPELWIRKENDE ZYLINDER VANNE DIRECTIONNELLE VALVE WITH COURSE	COMATROL	COMATROL	COMATROL	COMATROL	COMATROL	COMATROL	COMATROL
07	1	SAE 100 R7 DN1/4"	FILTRO FILTER FILTRE	MP FLTRI	4.1	1	RIDUTTORE DI PRESSIONE REDUCTION DE PRESSION PRESSURE REGULATOR	MP FLTRI	4.1	1	RIDUTTORE DI PRESSIONE REDUCTION DE PRESSION PRESSURE REGULATOR	MP FLTRI	MP FLTRI	MP FLTRI	MP FLTRI	MP FLTRI	MP FLTRI	MP FLTRI
0.6	1	SAE 100 R7 DN1/4"	VALVOLA UNIDIREZIONALE EINSEITIGE GERICHTETE VENTIL VANNE UNIDIRECTIONNELLE VALVE WITH ONE COURSE	HDR-APP	3.5	1	CILINDRO A DOPPIO EFFETTO DOPPELWIRKENDE ZYLINDER VANNE A DOUBLE EFFET CYLINDER AT DOUBLE EFFECT	HDR-APP	3.5	1	CILINDRO A DOPPIO EFFETTO DOPPELWIRKENDE ZYLINDER VANNE A DOUBLE EFFET CYLINDER AT DOUBLE EFFECT	HDR-APP	HDR-APP	HDR-APP	HDR-APP	HDR-APP	HDR-APP	HDR-APP
0.5	1	SAE 100 R7 DN1/4"	LIMITATORE DI PRESSIONE DRUCK REDUKTOR LIMITER OF PRESSION LIMITER OF PRESSURE	HDR-APP	3.4	1	VALVOLA DI NON RITORNO PILOTATA VENTIL OHNE RUECKGANG UND GESTEUERT VANNE DE NON RETOUR ENREGISTREE VALVE WITH NO RETURN REGISTERED	HDR-APP	3.4	1	VALVOLA DI NON RITORNO PILOTATA VENTIL OHNE RUECKGANG UND GESTEUERT VANNE DE NON RETOUR ENREGISTREE VALVE WITH NO RETURN REGISTERED	HDR-APP	HDR-APP	HDR-APP	HDR-APP	HDR-APP	HDR-APP	HDR-APP
0.4	1	SAE 100 R7 DN1/4"	MOTORE SCHEMOR ELECTRIC MOTOR ELECTRIC MOTOR	ELD ELPROM	3.3	1	TUBO FLESSIBILE SCHLAUCH FLEXIBLE FLEXIBLE TUBE	ELD ELPROM	3.3	1	TUBO FLESSIBILE SCHLAUCH FLEXIBLE FLEXIBLE TUBE	ELD ELPROM	ELD ELPROM	ELD ELPROM	ELD ELPROM	ELD ELPROM	ELD ELPROM	ELD ELPROM
0.3	1	SAE 100 R7 DN1/4"	POMPA IDRAULICA HYDRAULISCHEN PUMPE POMPE HYDRAULIQUE IDRAULIC PUMP	HDR-APP	3.2	1	TUBO FLESSIBILE SCHLAUCH FLEXIBLE FLEXIBLE TUBE	HDR-APP	3.2	1	TUBO FLESSIBILE SCHLAUCH FLEXIBLE FLEXIBLE TUBE	HDR-APP	HDR-APP	HDR-APP	HDR-APP	HDR-APP	HDR-APP	HDR-APP
0.2	1	SAE 100 R7 DN1/4"	FILTRO FILTER FILTRE	HDR-APP	3.1	1	VALVOLA DIREZIONALE EINSEITIGE VENTIL VANNE DIRECTIONNELLE VALVE WITH COURSE	HDR-APP	3.1	1	VALVOLA DIREZIONALE EINSEITIGE VENTIL VANNE DIRECTIONNELLE VALVE WITH COURSE	HDR-APP	HDR-APP	HDR-APP	HDR-APP	HDR-APP	HDR-APP	HDR-APP
0.1	1	SAE 100 R7 DN1/4"	SERBATOIO TANK RESERVOIR	HDR-APP	2.7	1	CILINDRO A DOPPIO EFFETTO DOPPELWIRKENDE ZYLINDER VANNE A DOUBLE EFFET CYLINDER AT DOUBLE EFFECT	HDR-APP	2.7	1	CILINDRO A DOPPIO EFFETTO DOPPELWIRKENDE ZYLINDER VANNE A DOUBLE EFFET CYLINDER AT DOUBLE EFFECT	HDR-APP	HDR-APP	HDR-APP	HDR-APP	HDR-APP	HDR-APP	HDR-APP
3	1	SAE 100 R7 DN1/4"	AGGIUNTO FILTRO N°07 A PARTIRE DA 01-01-2000 ADDED FILTER N°07 FROM 01-01-2000 RAJOUTE FILTRE N°07 A PARTIR DE 01-01-2000 ZUGEFUGTE FILTER N°07 VON 01-01-2000	01-01-00 PAIBERTO	01-01-00	PAIBERTO	PRODUTTORE/FORNITORE HERSTELLER/LIEFERANT PRODUCTEUR/FOURNISSEUR	01-01-00	PAIBERTO	01-01-00	PAIBERTO	PRODUTTORE/FORNITORE HERSTELLER/LIEFERANT PRODUCTEUR/FOURNISSEUR	01-01-00	PAIBERTO	01-01-00	PAIBERTO	01-01-00	PAIBERTO
2	1	SAE 100 R7 DN1/4"	SOSTITUISCE LO SCHEMA COD. 0018547 DEL 11-04-96 A PARTIRE DALLA MATRICOLA N°12977702	09-01-98 FUSARI	09-01-98	FUSARI	PRODUTTORE/FORNITORE HERSTELLER/LIEFERANT PRODUCTEUR/FOURNISSEUR	09-01-98	FUSARI	09-01-98	FUSARI	PRODUTTORE/FORNITORE HERSTELLER/LIEFERANT PRODUCTEUR/FOURNISSEUR	09-01-98	FUSARI	09-01-98	FUSARI	09-01-98	FUSARI
1	1	SAE 100 R7 DN1/4"	SOSTITUISCE LO SCHEMA COD. 0018547 DEL 17-01-95	11-04-96 BARIGAZZI	11-04-96	BARIGAZZI	PRODUTTORE/FORNITORE HERSTELLER/LIEFERANT PRODUCTEUR/FOURNISSEUR	11-04-96	BARIGAZZI	11-04-96	BARIGAZZI	PRODUTTORE/FORNITORE HERSTELLER/LIEFERANT PRODUCTEUR/FOURNISSEUR	11-04-96	BARIGAZZI	11-04-96	BARIGAZZI	11-04-96	BARIGAZZI
Nr.			MODIFICA AENDERUNG MODIFICATION CHANGE															

INGRESSO RETE LIGNE NETZANSCHLUSS
 1.1 1.2 1.3 1.4 1.5 1.6 1.7 1.8 1.9

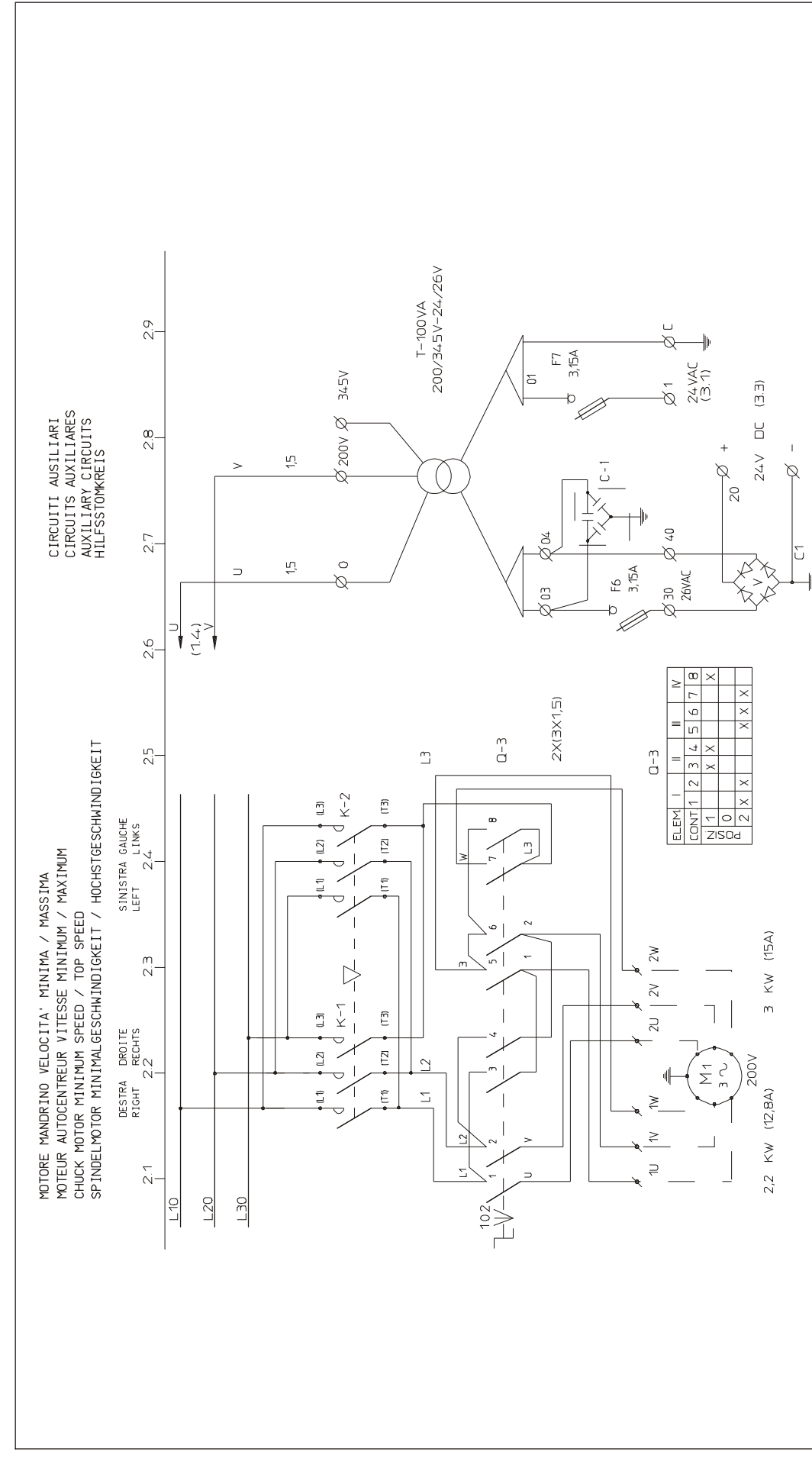
POMPA IDRAULICA
 POMPE HYDRAULIQUE
 HYDRAULIC PUMP
 HYDRAULIC PUMPE

PROTEZIONE MOTORE MANDRINO
 PROTECTION MOTEUR MANDRIN
 CHUCK MOTOR PROTECTOR
 PROTECTION SPANNKOPF-MOTOR

SCHEMA ELETTRICO QUADRO 5600 R
 SCHEMA ELECTRIQUE 5600 R
 ELECTRIC DIAGRAM 5600 R
 5600 R SCHALTAFELPLAN



Nr.	MODIFICA	AENDERUNG	MODIFICATION	CHANGE	DATA DATE	NOME NAME	CODICE MACCHINA INVENTAR NR. MACHINE REF. CODE MACHINE	VISTO GEPRUEFT CONTROLÉ TESTED BY	DATA DATUM DATE 2002-01-07	FIRMA GEZ. SIGNATURE BARIGAZZI	CLIENTE BESTELLER CLIENT CUSTOMER	GRUPPO GROUPE GROUP	PAGINA BLATT PAGE	Nr. PAGINE V. BLATTES Nr. DE PAGES	
							SCHEMA ELETTRICO 52MR 200.360 SCHEMA ELECTRIQUE 52MR 200.360 ELECTRIC DIAGRAM 52MR 200.360 SCHALTAFELPLAN 52MR 200.360	SCHEMA ELETTRICO 52MR 200.360 SCHEMA ELECTRIQUE 52MR 200.360 ELECTRIC DIAGRAM 52MR 200.360 SCHALTAFELPLAN 52MR 200.360	Nr. ORDINE COMMANDE Nr.	DATA DATUM DATE 2002-01-07	CLIENTE BESTELLER CLIENT CUSTOMER	GRUPPO GROUPE GROUP	PAGINA BLATT PAGE	Nr. PAGINE V. BLATTES Nr. DE PAGES	



GRUPPO GROUP GROUP	PAGINA PAGE PAGE	N°. N°. N°.	PAGINE PAGES PAGES	FAMILIA CODE	CODICE CODE	N°. N°.	ZEICHNUNGS N°. DRAWING N°.	CLIENTE CUSTOMER	FIRMA GEZ. SIGNATURE	COSTRUITO IN FABRICATION IN	ITALY	TIP MODEL	52MR	CODICE MACCHINA INVENTAR N°. MACHINE REF. CODE MACHINE	VISTO GEPRÜFT CONTROLÉ TESTED	PAR BY	2002-01-07	DATA DATE	2002-01-07	N°. N°.	ORDINE COMMANDE P.D. NUMBER	AUFTRAG-NR. ORDER N°.	SCHEMA ELETTRICO 52MR 200.3.60 SCHEMA ELECTRIQUE 52MR 200.3.60 ELECTRIC DIAGRAM 52MR 200.3.60 SCHALTPLAN 52MR 200.3.60	0027116
MODIFICA CHANGE	AENDERUNG CHANGE	DATE	NOME NAME																					

162-a-Nov-03

ROTAZIONE MANDRINO
ROTATION MANDRIN
CHUCK ROTATION
SPINDELDREHUNG

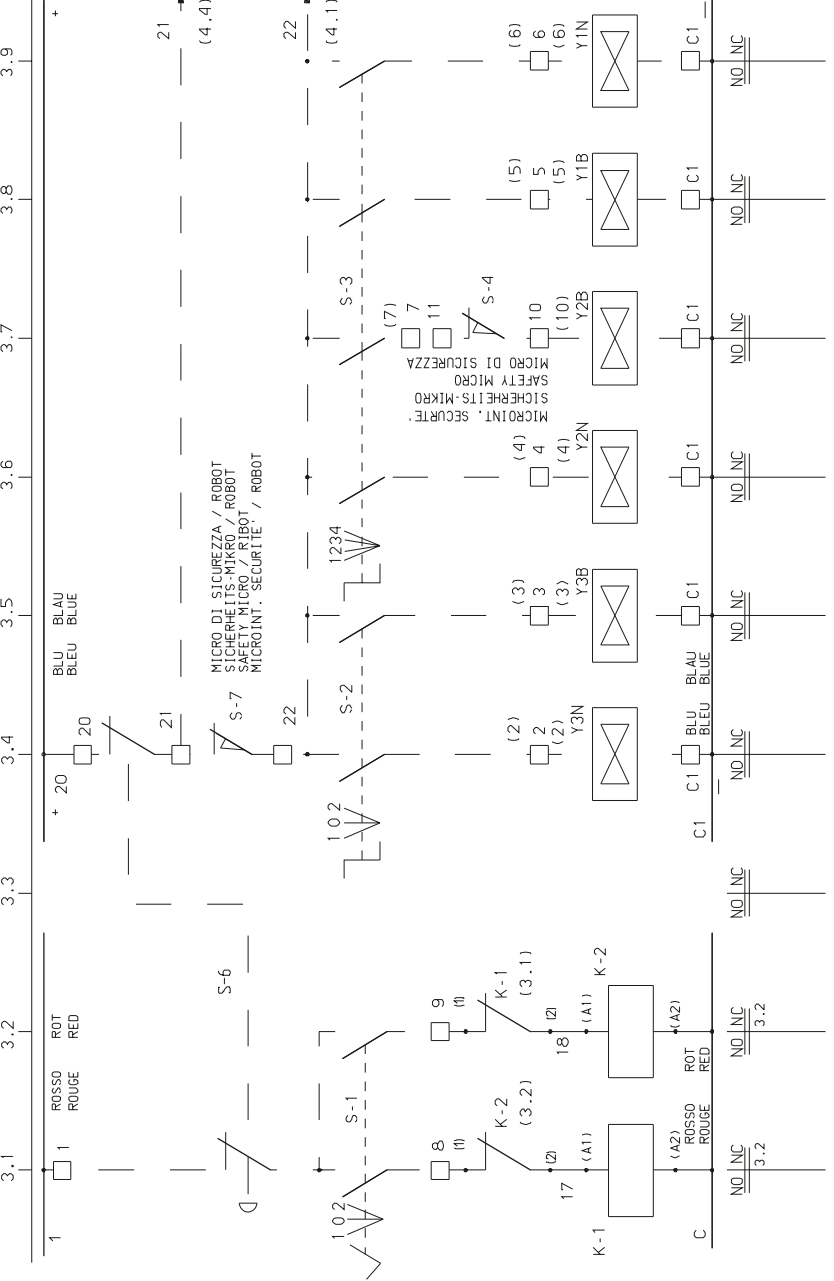
BRACCIO PORTA MANDRINO
AUSLEGER SPINDELTRAGER
BRAS PORTE MANDRIN
ARM CHUCK HOLDER

BLOCCAGGIO RUOTA
RAD BLOCKIERUNG
BLOCAGE ROUE
LOCKING OF WHEEL

CARRO PORTA UTENSILE
WERKZEUGTRAGER KARREN
CHARIOT PORTE OUTILS
CARRIAGE TOOL HOLDER

BLOCCAGGIO MICRO / MICRO
SICHERHEITSMIKRO / ROBOT
SAFETY MICRO / ROBOT
MICROINT. SECURITE' / ROBOT

DESCESA ABBASSO
DESCENDING MOTIVE
DESCENTE



PAGINA BLATT PAGE	GRUPPO GRUPE GROUP	CLIENTE BESTELLER CUSTOMER	PAGINE BLATT PAGES
3		Nr. ORDINE COMMANDE Nr.	8
FAMIGLIA CODE		ZEICHNUNGS Nr.	
824		0027116	
FIRMA GEZ. SIGNATURE	DATA DATUM DATE	SCHEMA ELETTRICO 52MR 2003.60 SCHEMA ELECTRIQUE 52MR 2003.60 ELECTRIC DIAGRAM 52MR 2003.60 SCHALT-TAFELPLAN 52MR 2003.60	
BARIGAZZI	2002-01-07	VISTO GEPRUFT CONTROLE PAR TESTED BY	
COSTRUITO IN FABRIQUE EN MADE IN	TIPO MODELE	CODICE MACCHINA INVENTAR Nr. MACHINE REF. CODE MACHINE	
ITALY	52MR	NONE NAME	
MODIFICA AENDERUNG MODIFICATION CHANGE			



MOVIMENTO UTENSILE ROBOT
 BEWEGUNG WERKZEUG ROBOT
 MOUVEMENT OUTIL ROBOT
 MOVEMENT TOOL ROBOT

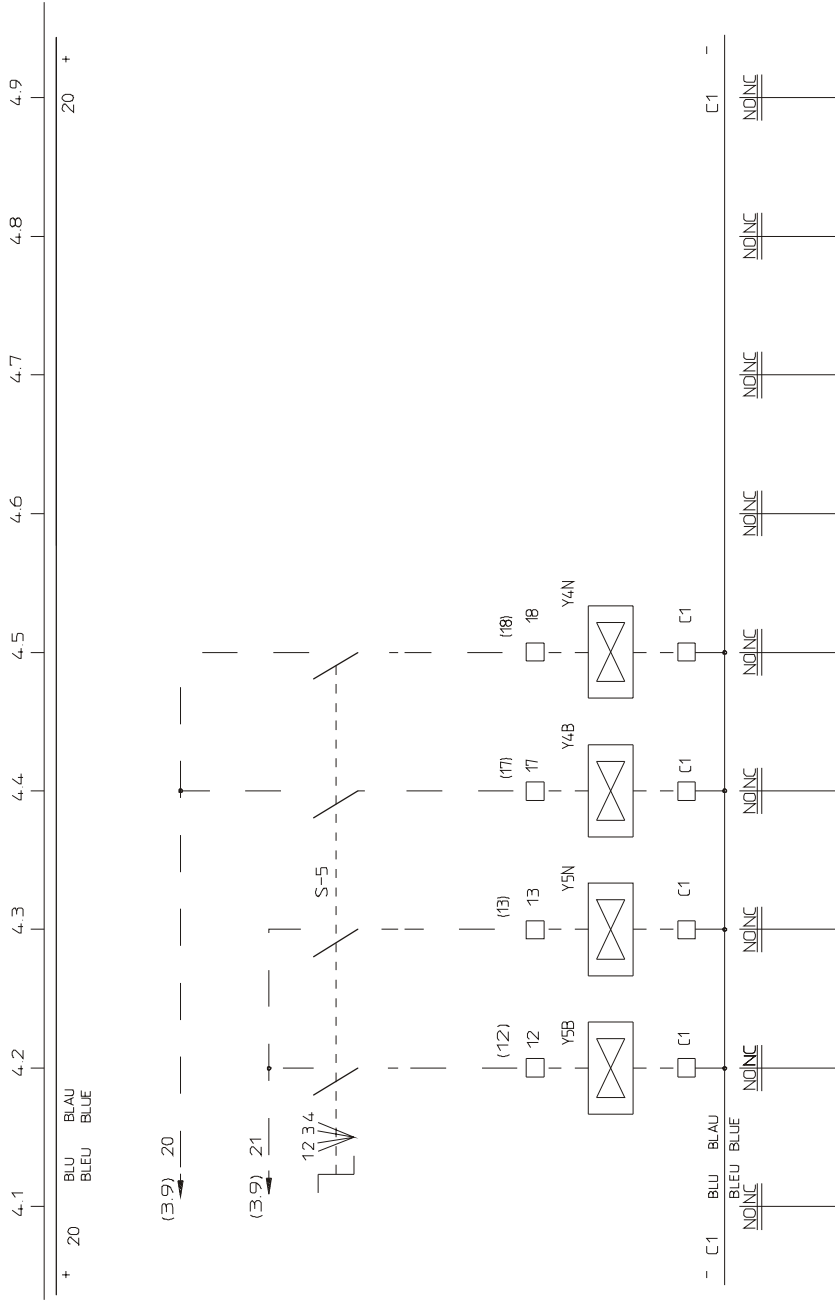
ALZA UTENSILE ROBOT
 AUFHARTSBEWEGUNG WERKZEUG ROBOT
 LEVAGE OUTIL ROBOT
 LIFTING TOOL ROBOT

DESTRA
 RECHT
 DROIT
 RIGHT

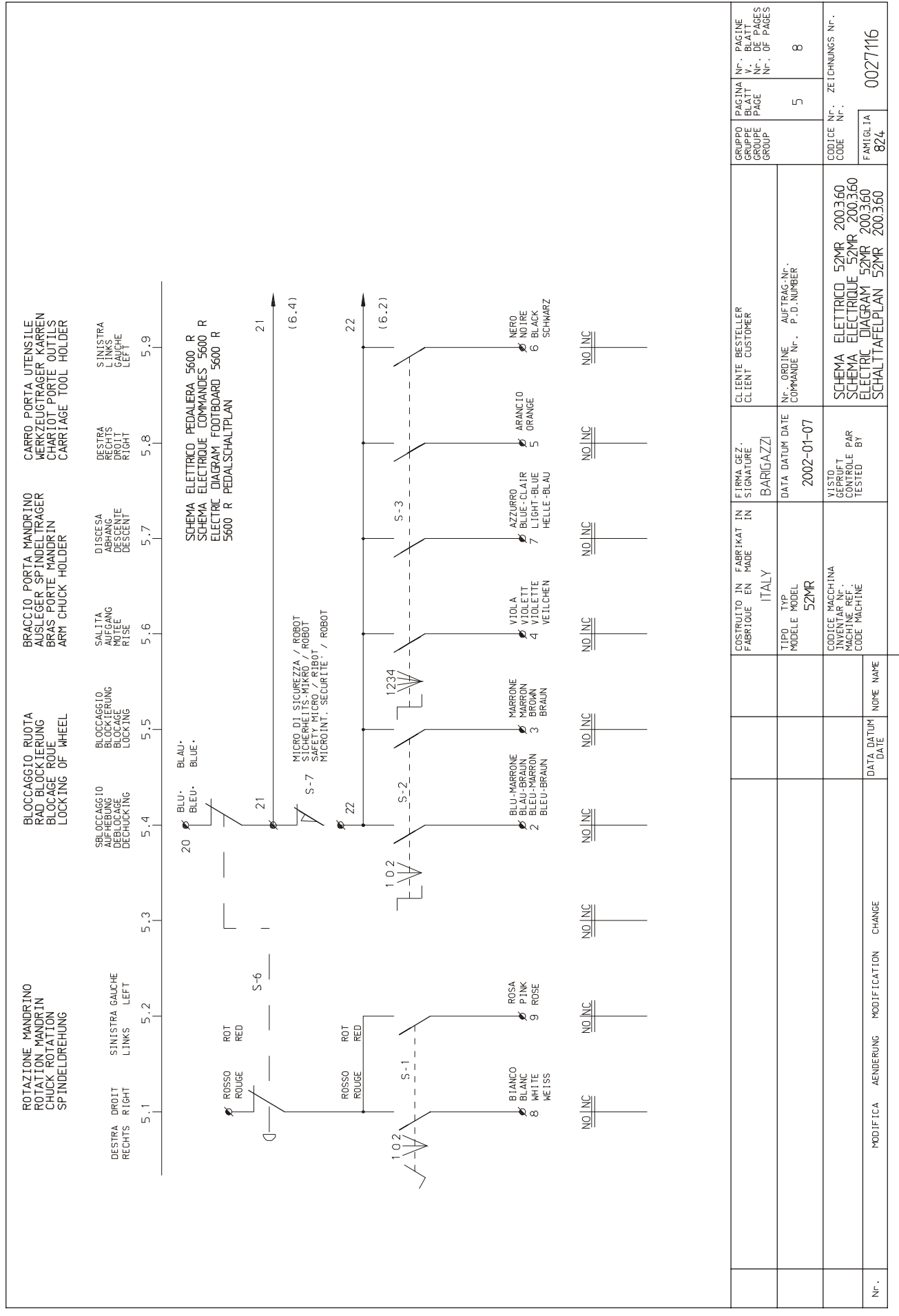
SINISTRA
 LINKS
 GAUCHE
 LEFT

DISCESA
 ABHANG
 DESCENTE
 DESCENT

SALITA
 AUFGANG
 MONTÉE
 RISE



N°.	MODIFICA	AENDERUNG	MODIFICATION	CHANGE	DATA	DATE	NOME	NAME	
					COSTRUITO IN FABRIKAT IN FABRIQUE EN MADE		ITALY		
					TIPO MODELLO		52MR		
					CODICE MACCHINA INVENTAR N°. MACHINE REF. CODE MACHINE		52MR 200.360		
					FIRMA GEZ. SIGNATURE		BARIGAZZI		
					DATA DATUM DATE		2002-01-07		
					CLIENTE BESTELLER CLIENT CUSTOMER		N° ORDINE AUFTRAG-N°. COMMANDE N° P.D. NUMBER		
					GRUPPO GRUPPE GROUPE GROUP		4		
					PAGINA N°. SEITEN N°. PAGE N° OF PAGES		8		
					CODICE N°. ZEICHNUNGS N°.		0027116		
					FAMIGLIA		824		



162-a-Nov-03



MOVIMENTO UTENSILE ROBOT
 BEWEGUNG WERKZEUG ROBOT
 MOUVEMENT OUTIL ROBOT
 MOVEMENT TOOL ROBOT

DESTRA
 RIGHT
 ROHT

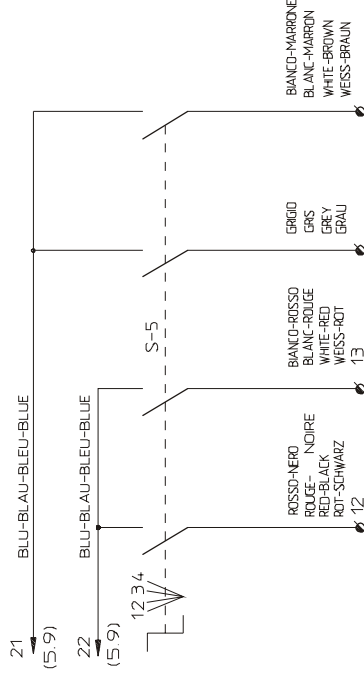
SINISTRA
 LEFT
 GAUCHE

ALZA UTENSILE ROBOT
 AUFWARTSBEWEGUNG
 LEVAGE OUTIL ROBOT
 LIFTING TOOL ROBOT

SALITA
 RISE
 ANSTIEG

DISCESA
 DESCENT
 ABWÄRTS

6.1 6.2 6.3 6.4 6.5 6.6 6.7 6.8 6.9



<u>NOINC</u>	<u>NOINC</u>	<u>NOINC</u>	<u>NOINC</u>	<u>NOINC</u>	<u>NOINC</u>	<u>NOINC</u>	<u>NOINC</u>
--------------	--------------	--------------	--------------	--------------	--------------	--------------	--------------

N°.	MODIFICA	AENDERUNG	MODIFICATION	CHANGE	DATA	DATE	NOME	NAME
		COSTRUITO IN / FABRIKAT IN / MADE IN		ITALY	FIRMA / GEZ. / SIGNATURE		BARIGAZZI	
		TIPO / MODELLE / MODEL		52MR	DATA / DATUM / DATE		2002-01-07	
		CODICE / MACCHINA / INVENTAR N° / MACHINE REF. / CODE / MACHINE		52MR	VISTO / GEPRUFT / CONTRÔLE / PAR / TESTED / BY		SCHEMA ELETTRICO 52MR 200.3.60 SCHEMA ELECTRIQUE 52MR 200.3.60 ELECTRIC DIAGRAM 52MR 200.3.60 SCHALTTADELPLAN 52MR 200.3.60	
		CLIENTE / BESTELLER / CLIENT		N° / ORDINE / COMMANDE N° / P.D. NUMBER		PAGINA / SHEET / PAGE		6
		GRUPPO / GROUPE / GROUP		CODICE / CODE		PAGINE / SHEETS / PAGES		8
		FAMIGLIA		824		ZEICHNUNGS N°.		0027116







®

USA

John Bean
309 Exchange Avenue
Conway, Arkansas 72032
Tel.: (800) 362-8326 or (501) 450-1500
Fax: (501) 450-1585

CANADA

John Bean
6500 Millcreek Drive
Mississauga, Ontario
Canada L5N 2W6
Tel: (905) 814-0114
Fax: (905) 814-0110

LATIN AMERICA

International Equipment Group
309 Exchange Avenue
Conway, Arkansas 72032
Tel.: (501) 450-1568
Fax: (501) 450-2086

Notice: The information contained in this document is subject to change without notice. **John Bean** makes no warranty with regard to this material. **John Bean** shall not be liable for errors contained herein or for incidental consequential damages in connection with furnishings, performance, or use of this material.

This document contains proprietary information which is protected by copyright and patents. All rights are reserved. No part of this document may be photocopied, reproduced, or translated without prior written consent of **John Bean**.



is a registered trademark of John Bean and Snap-on Incorporated.