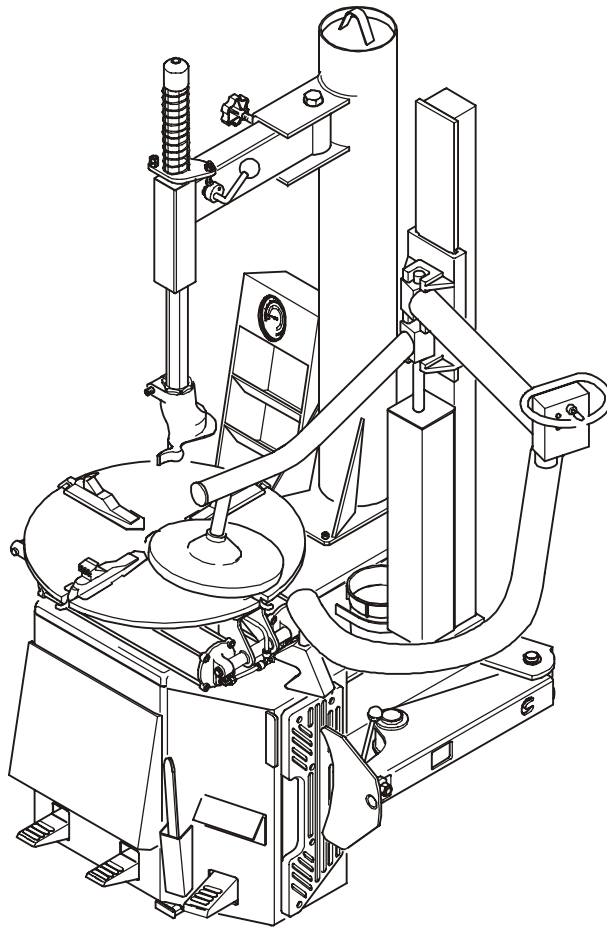


EEWH317A

Air/Electric Tire Changer

Spare Parts List



Snap-on

® P/N: TEEWH317A3

U P D A T I N G G U I D E

MODIFIED / CHANGED TABLES Regarding Revision B of March 2005

1320.a 1320.b	1318 1318.b	937.b -	938.a -
--------------------------------	------------------------------	-------------------	-------------------

Pneumatic Diagram has been added at page 22.

EEWH317A

Air/Electric Tire Changer

Spare parts list

COPYRIGHT NOTICE

The information contained in this document is property of Snap-on Incorporated. It, or any of the information contained within, shall not be used, copied, or reproduced without express written consent of Snap-on

TRADEMARK NOTICE

 and Snap-on Incorporated are registered trademarks

177-b-March-05



- **On order specify:** type of machine and serial number item code and quantity.
- **A la commande:** bien préciser le type de la machine, le n° de serie, la référence de pièce, la quantité.
- **All'ordine specificare:** tipo macchina e matricola, codice e quantità del particolare.
- **En cada pedido hay que especificar:** el tipo de máquina y su número de matrícula, el número de código de la pieza requerida y su cantidad.
- **Na encomenda especifique:** tipo da máquina e número de série, código do item e quantidade.
- **Bei Auftragserteilung anzugeben:** Maschinentype, Serinnummer, Artikel-Code, Menge.
- **Specificeer op een order:** machine type en serienummer, artikelnummer en aantal.
- **Vid order specificisera:** Maskin typ och serie nr reservdels nr ochantal.

Note: BOLD TYPE CODES ON EACH TABLE MEANS SUGGESTED SPARE PARTS - Ex. **ST0011111**



177-b-March-05

THIS PART IS FOR EXCLUSIVE USE OF QUALIFIED PERSONNEL FOR MAINTENANCE AND SERVICE PURPOSES.

CETTE PARTIE EST RESERVEE AU PERSONNEL QUALIFIE ET AUTORISE A LA MAINTENANCE ET AU SERVICE APRES-VENTE.

QUESTA PARTE É AD USO ESCLUSIVO DEL PERSONALE QUALIFICATO ED AUTORIZZATO ALLA MANUTENZIONE ED ASSISTENZA.

ESTA PARTE ES PARA USO EXCLUSIVO DEL PERSONAL CALIFICADO Y AUTORIZADO PARA EL MANTENIMIENTO Y LA ASISTENCIA.

ESTA PARTE ES PARA USO EXCLUSIVO POR PESSOAL ESPECIALIZADO ED AUTORIZADO A LA MANUTENÇÃO

DIESER ABSCHNITT IST AUSSCHLIESSLICH DEM WARTUNGSFACH-UND KUNDENDIENSTPERSONAL VORBEHALTEN

DENNE DEL ER BEREGNET TIL BRUK FOR KVALIFISERT PERSONALE FOR VEDLIKEHOLD OG SERVICE

DENNA DEL ÄREN BART TILL FÖR UTBILDAD PERSONAL VID UNDERHÅLLS- OCH SERVICEARBETEN

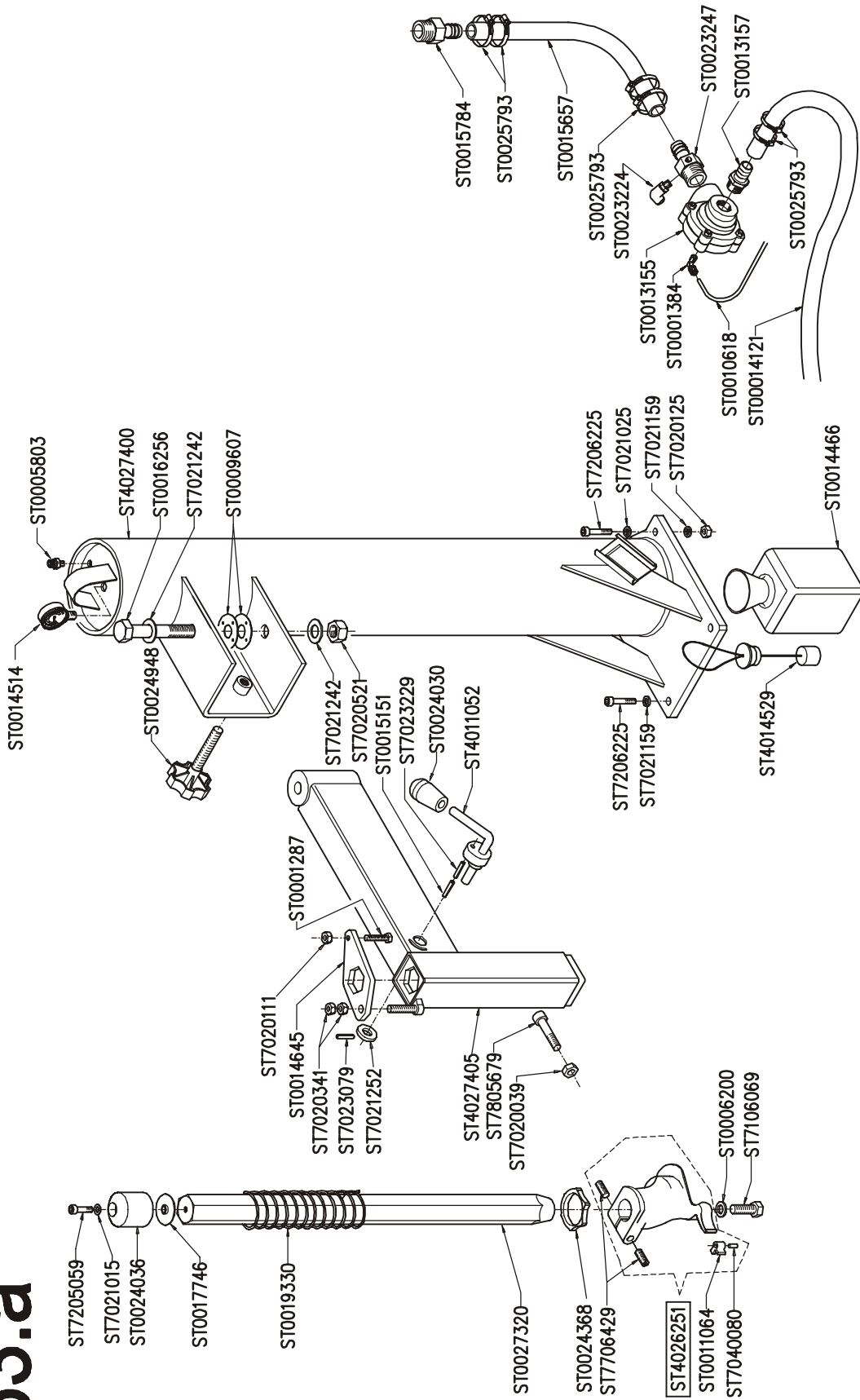
TÄMÄ OSA ON TARKOITETTU AINOASTAAN VALTUUTETUN HUOLTOHENKILÖSTÖN KÄYTTÖÖN HUOLTOTARKOITUKSIIN

DIT GEDEELTE IS ALLEEN BESTEMD VOOR BEVOEGDE PERSONEN VOOR ONDERHOUD EN SERVICE DOELEINDEN

DENNE DEL ER KUN BEREGNET TIL BRUG FOR FAGLÆRTE OG FOLK SOM ER KVALIFICERET OG AUTORISERET TIL VEDLIGEHODELSE OG SERVICE

AYTO TO MEPOS EINAI GIA THN AΠΟΚΛΕΙΣΤΙΚΗ ΧΡΗΣΗ ΕΚ ΜΕΡΟΥΣ ΕΞΟΥΣΙΟΛΟΘΗΜΕΝΟΥ ΙΚΑΝΟΥ ΠΡΟΣΩΠΙΚΟΥ ΓΙΑ ΕΡΓΑΣΙΕΣ ΣΥΝΤΗΡΗΣΗΣ ΚΑΙ ΕΠΙΣΚΕΥΗΣ

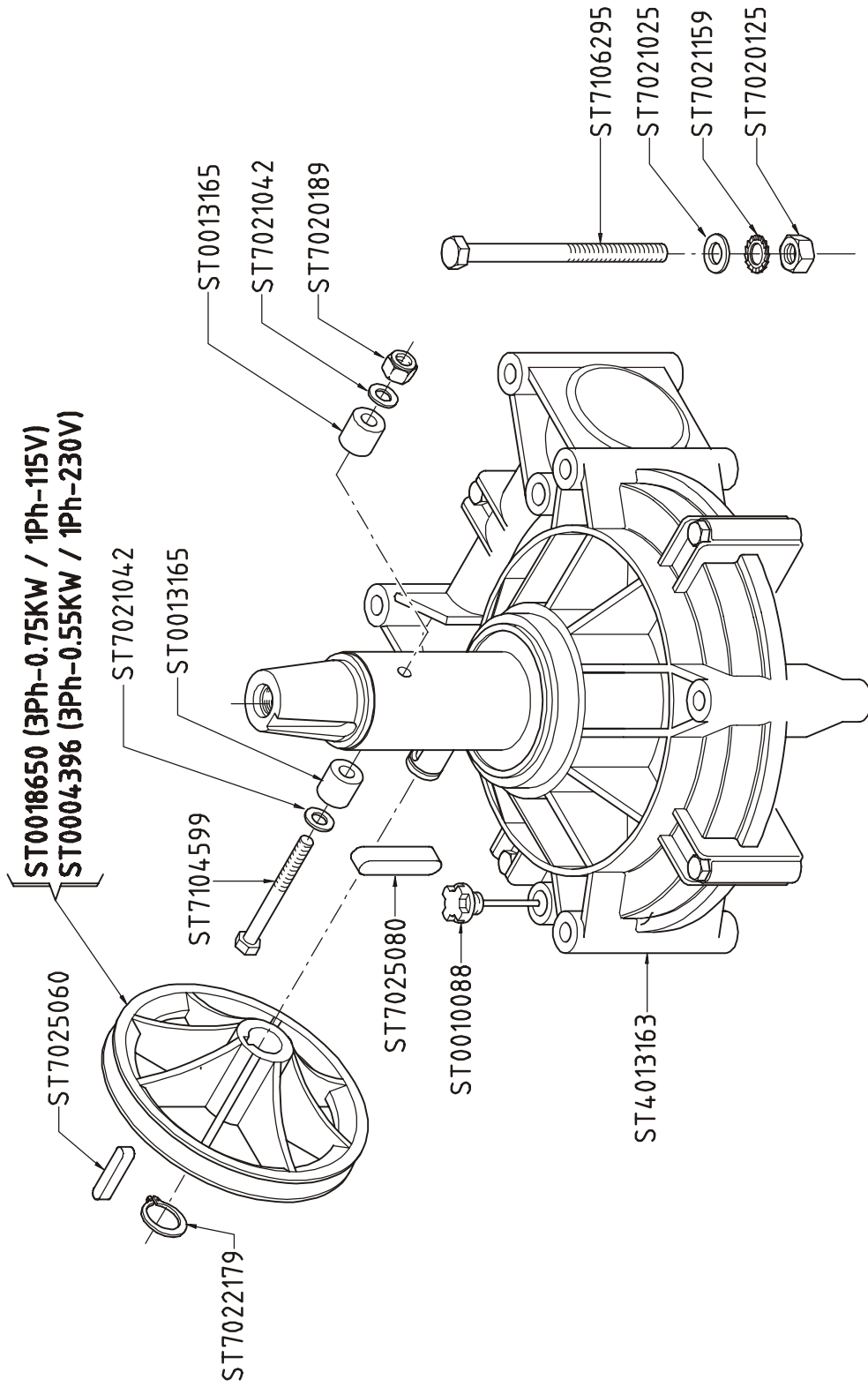
863.a



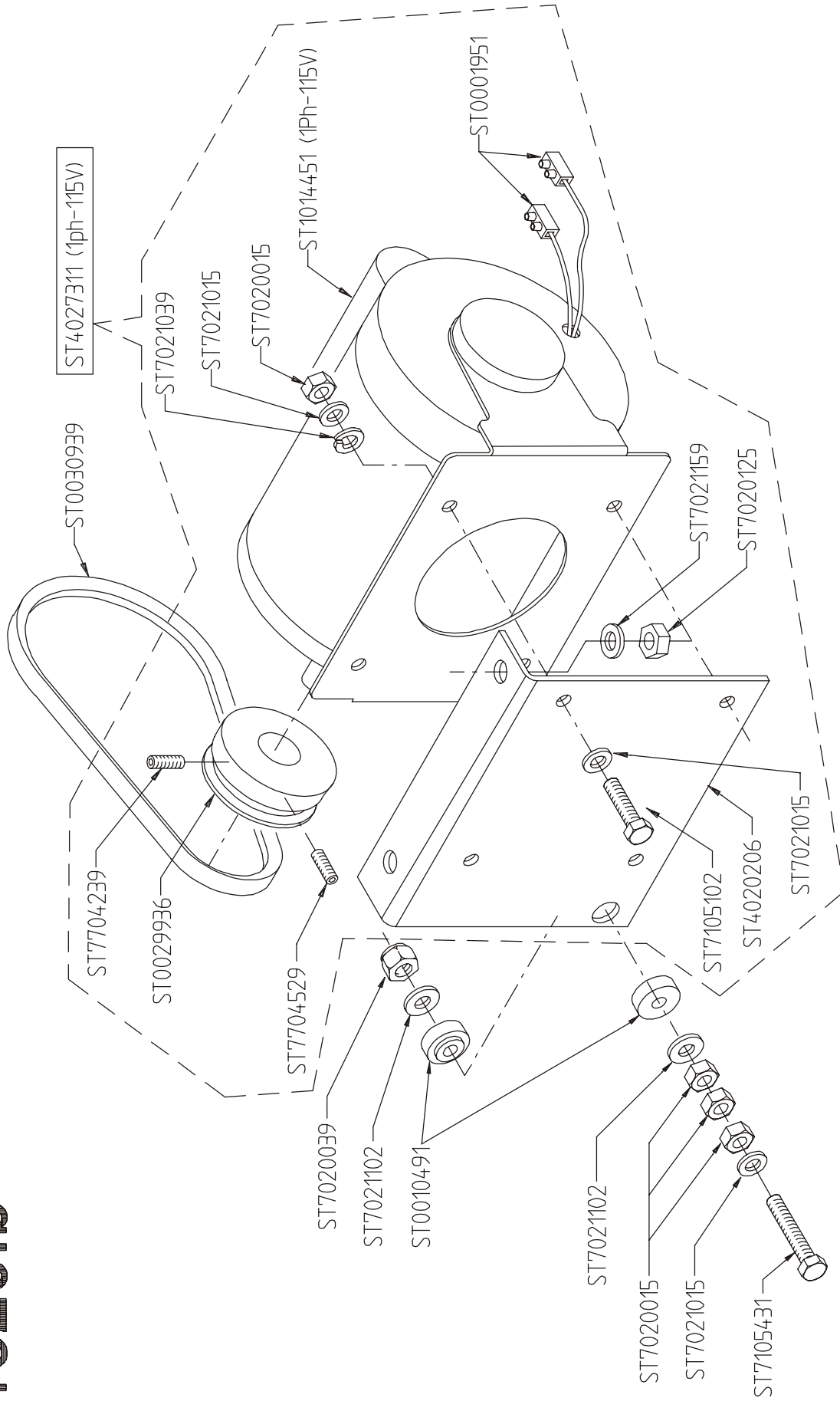
177-b-March-05

177-b-March-05

627

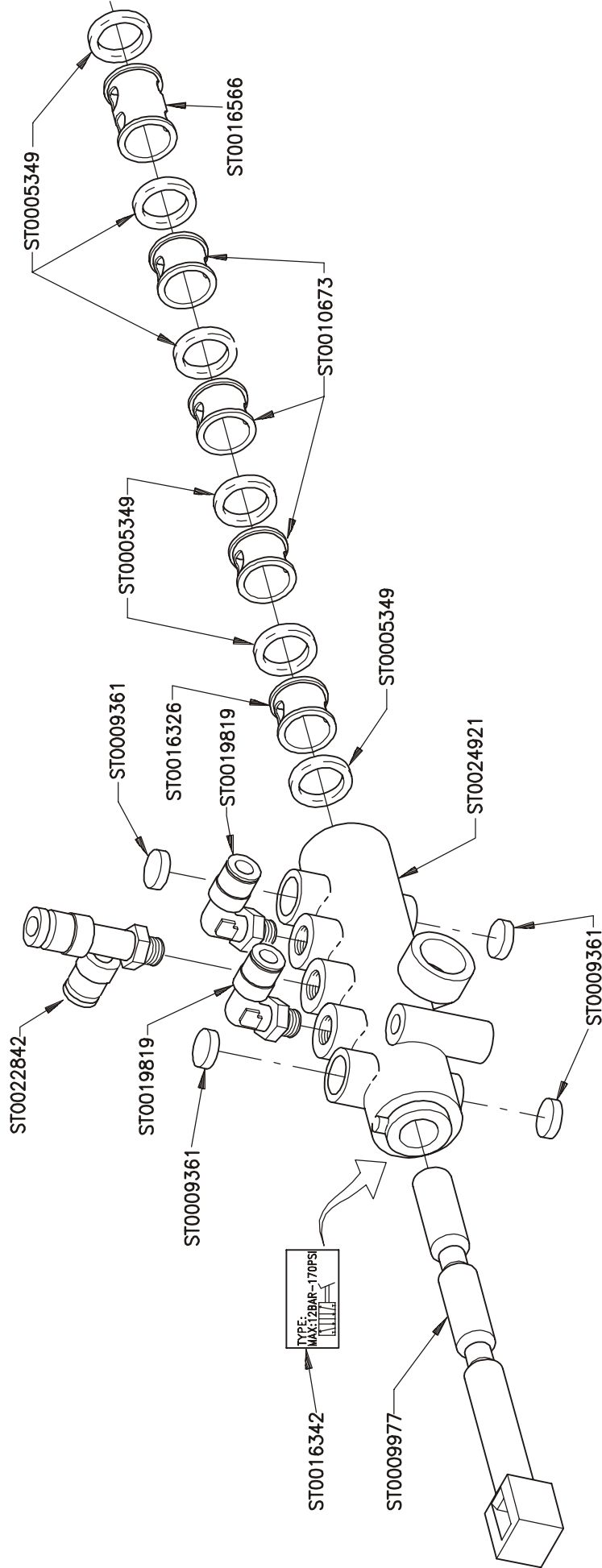


1320.b



T77-b-March-05

1308

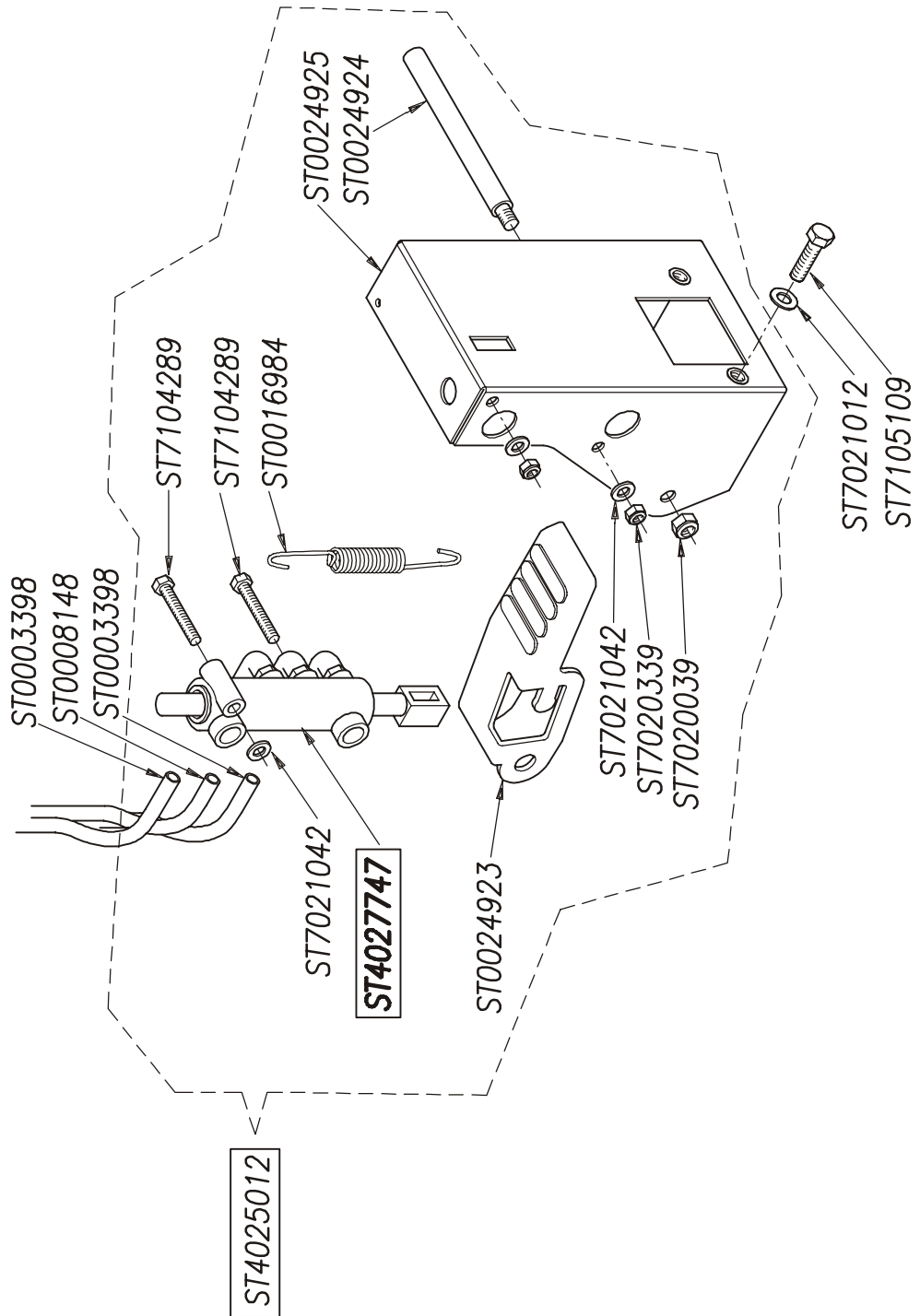


ST4025003

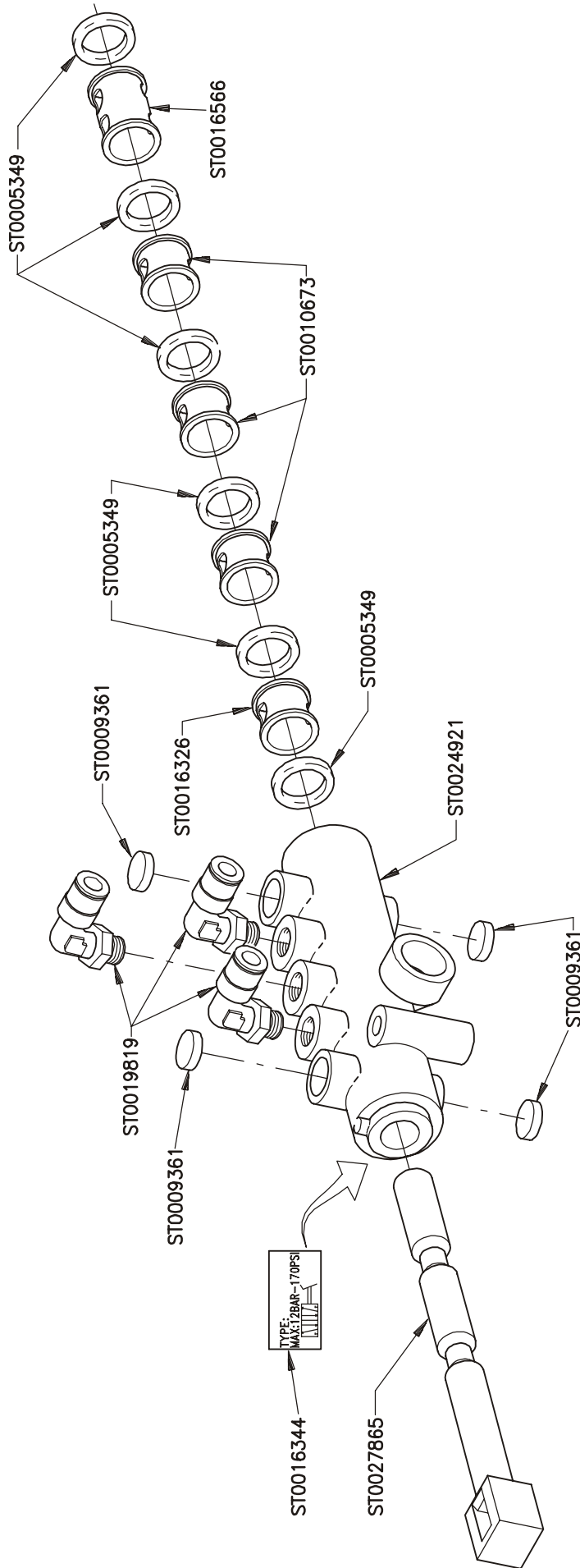
09/2003

177-b-March-05

1323



1309



ST4027747

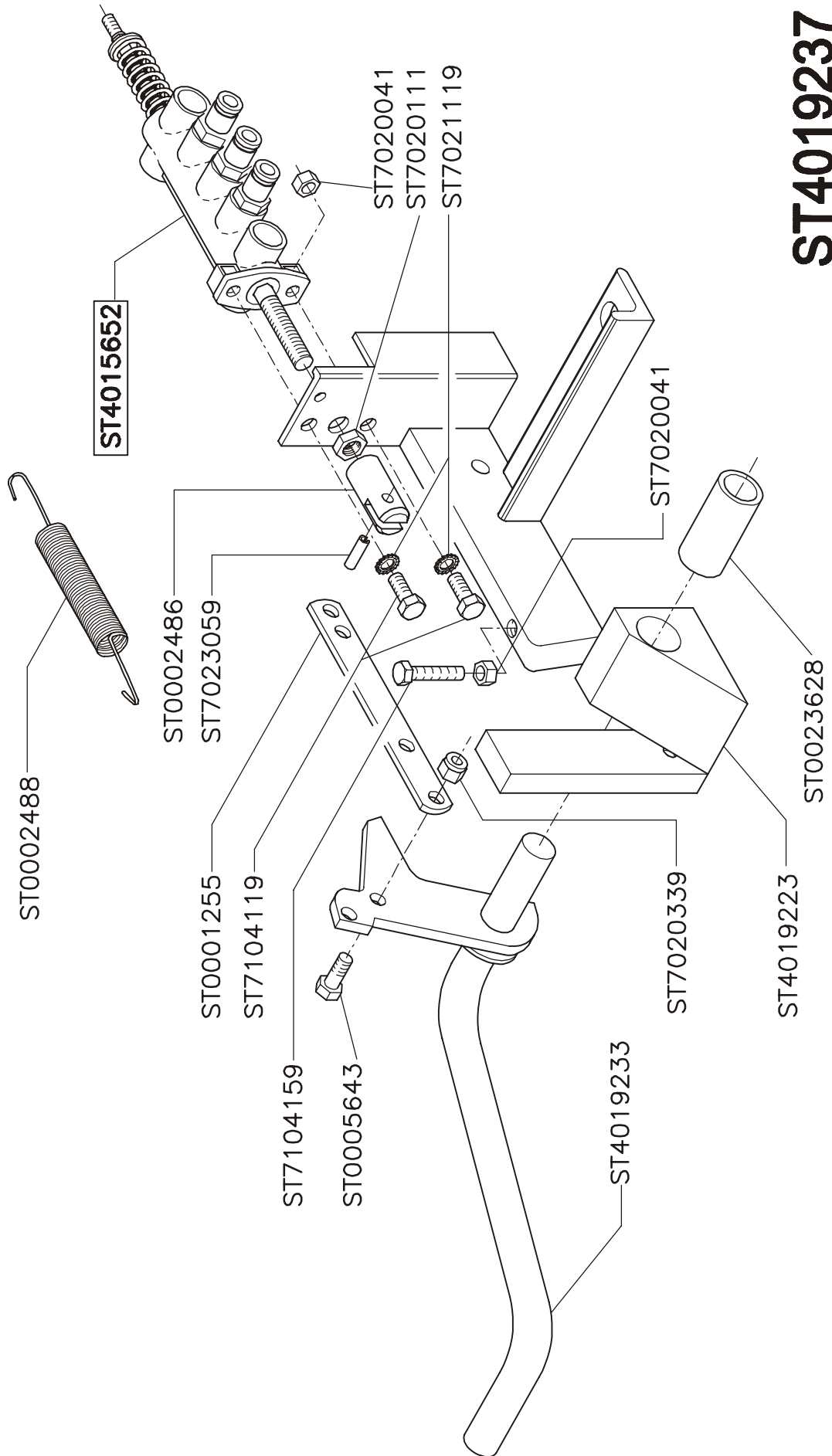
09/2003

177-b-March-05

ST4019237

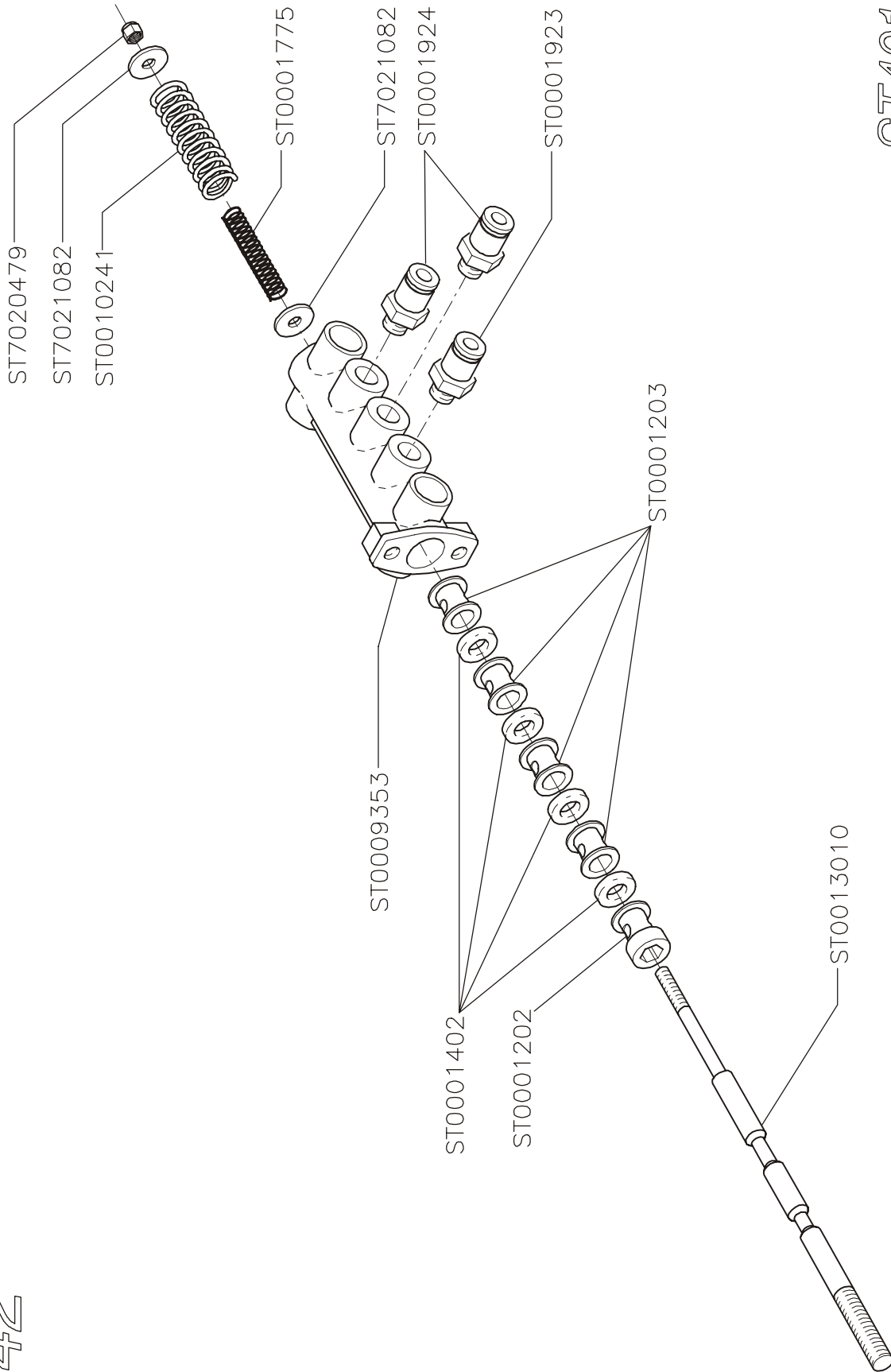
01/2001

824.a



177-b-March-05

642



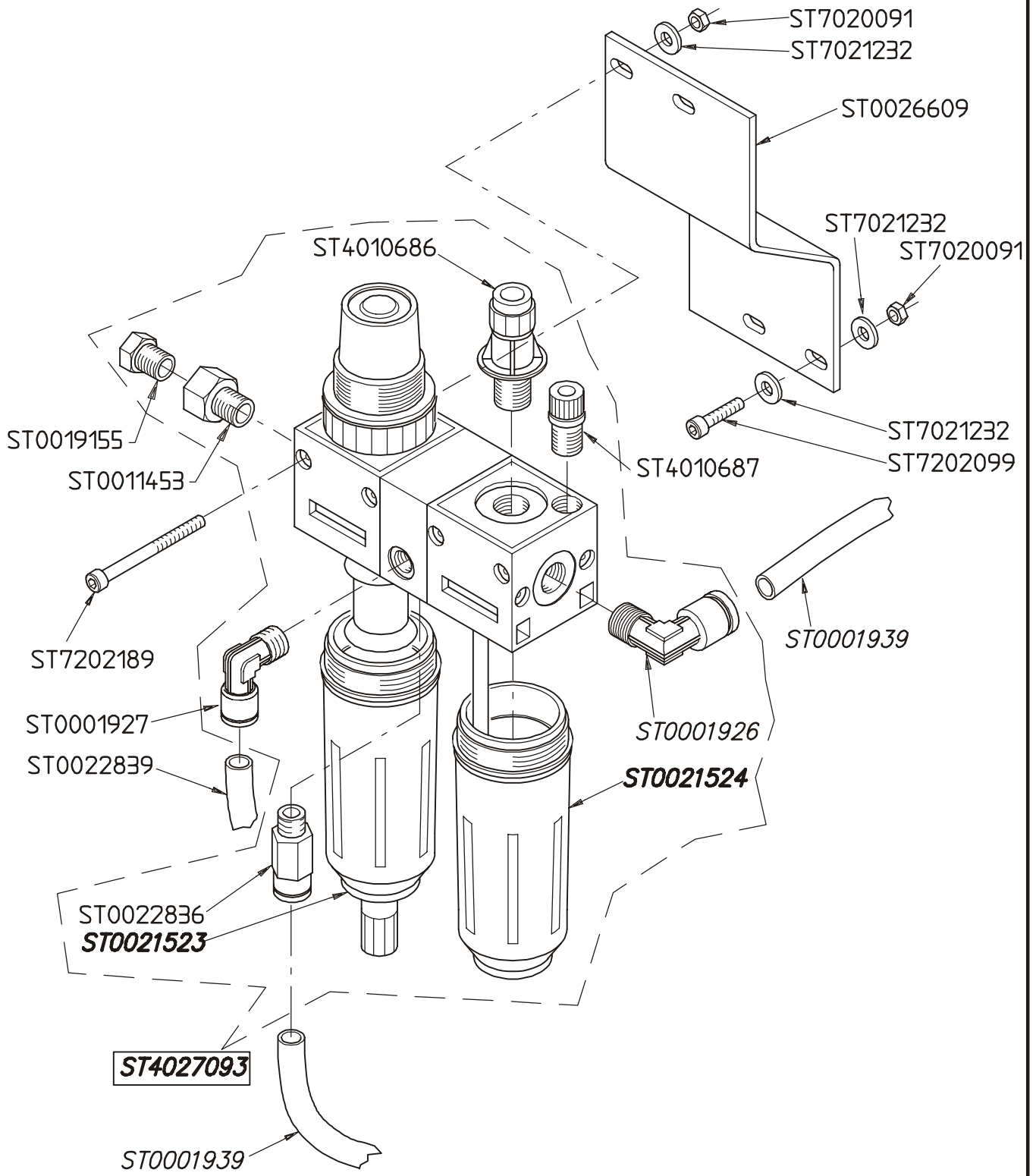
ST4015652

08/95

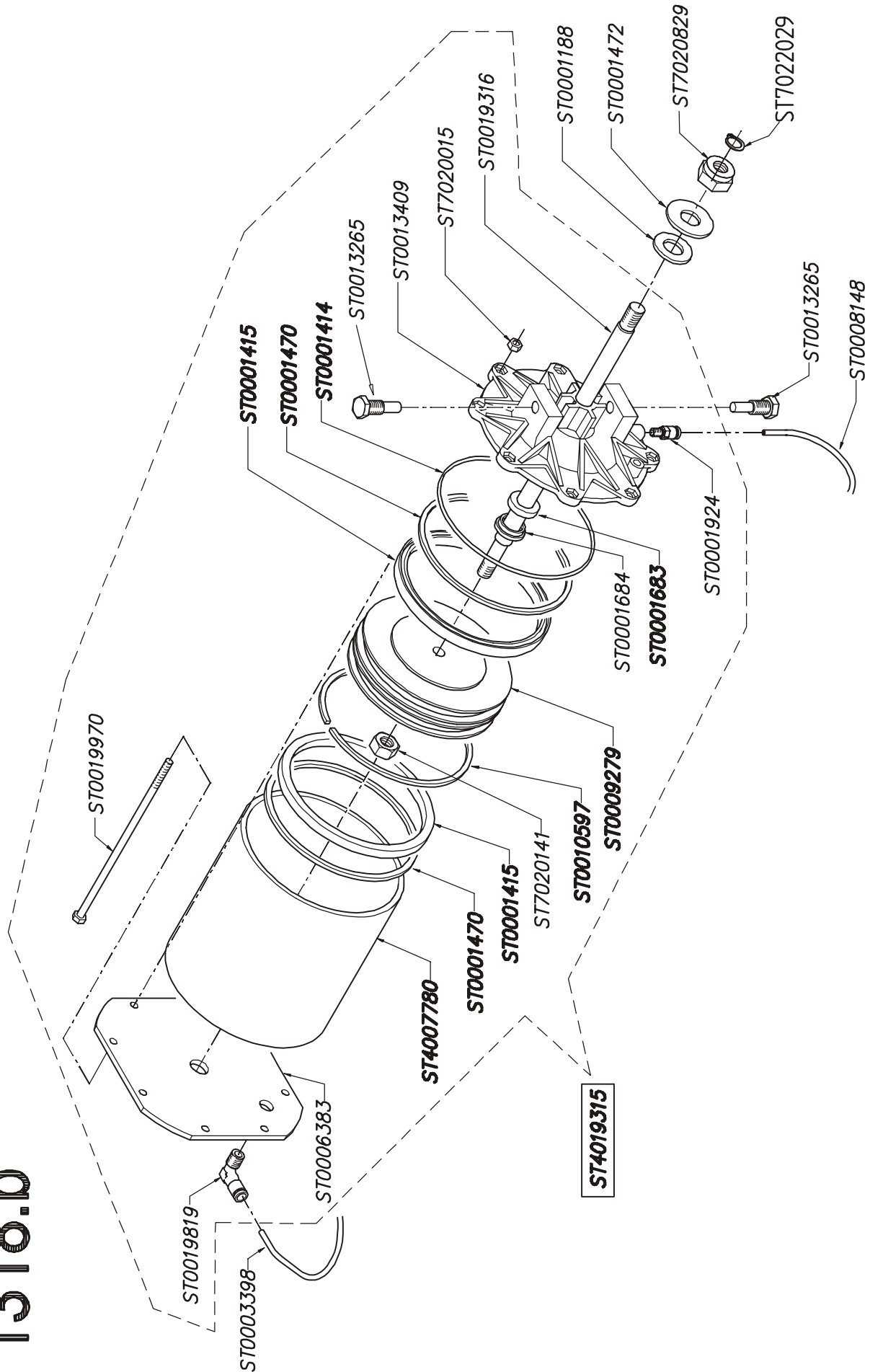
177-b-March-05

1152.a

177-b-March-05



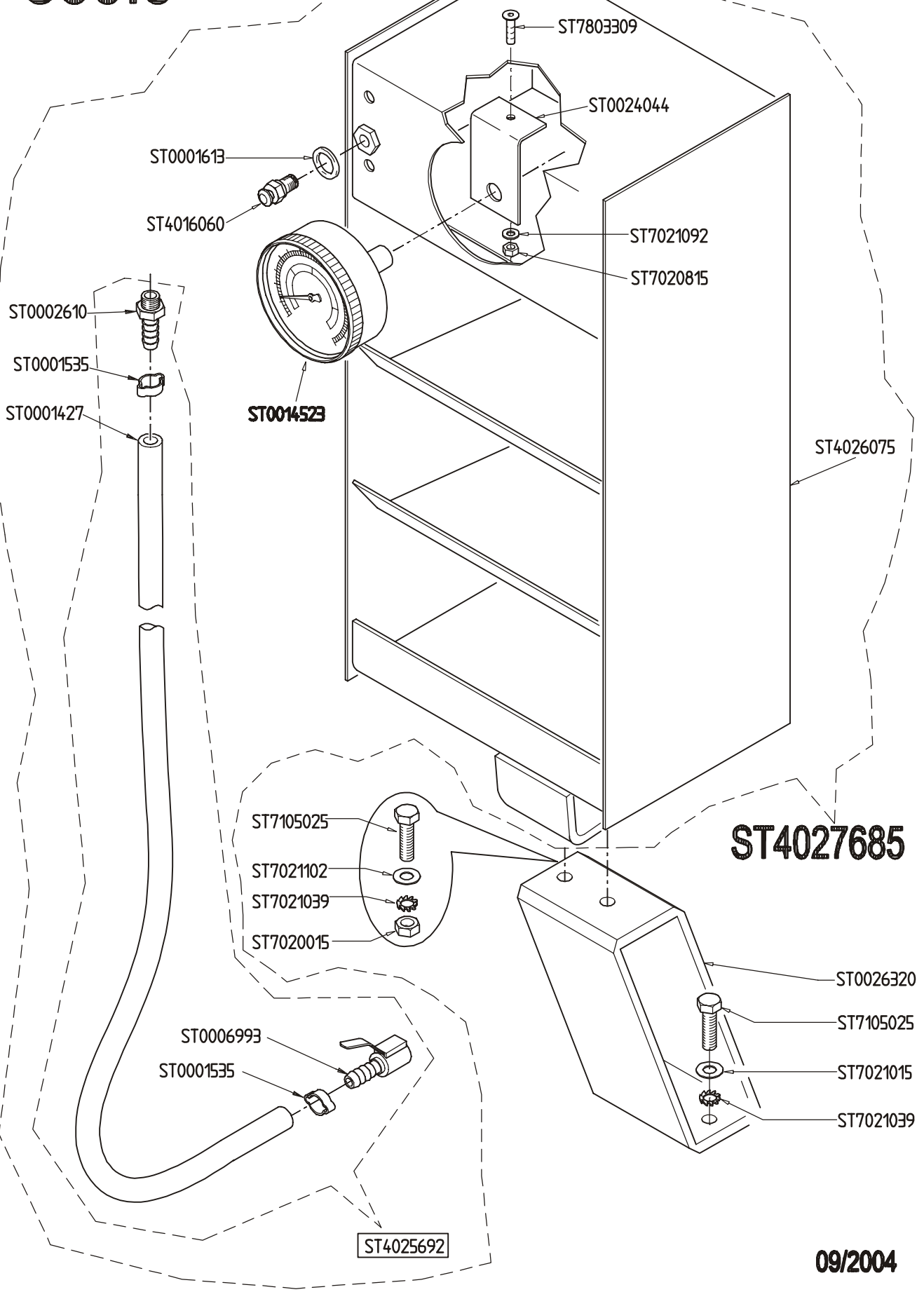
1318.b



177-b-March-05

860.c

177-b-March-05



177-b-March-05

(BLANK PAGE)



Snap-on Incorporated
2801 80th Street
Kenosha, WI 53141 - 1410

For Service Call:
1-800-225-5786

Notice: The information contained in this document is subject to change without notice. Snap-on Incorporated makes no warranty with regard to this material. Snap-on Incorporated shall not be liable for errors contained herein or for incidental consequential damages in connection with furnishings, performance, or use of this material.

This document contains proprietary information which is protected by copyright and patents. All rights are reserved. No part of this document may be photocopied, reproduced, or translated without prior written consent of Snap-on Incorporated.

Snap-on is a registered trademark of Snap-on Incorporated

P/N: TEEWH317A3 ...Rel.B March 05 ...copyright 2005 Printed in the USA