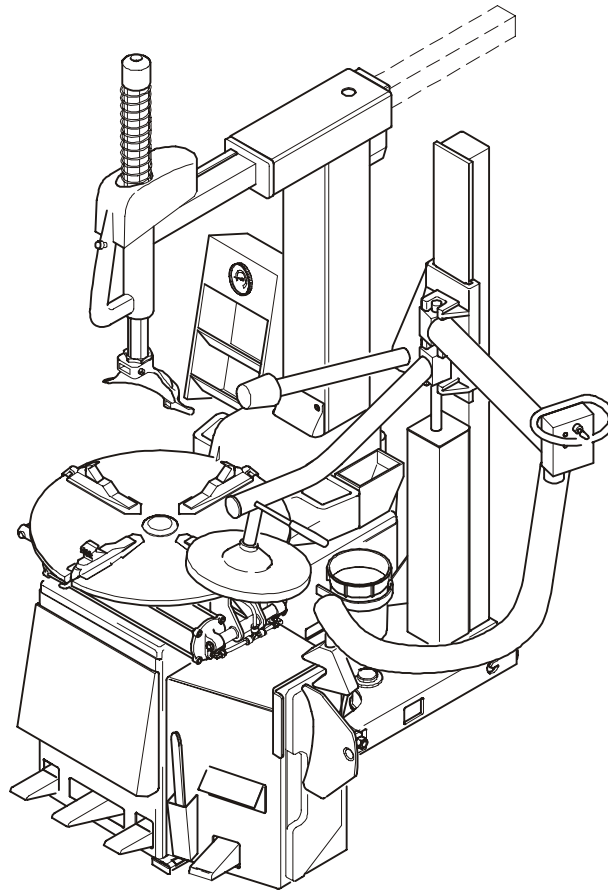


EEWH311A

Air/Electric Tire Changers

Spare Part List



Snap-on® FORM TEEWH311A

(BLANK PAGE)

EEWH311A

Air/Electric Tire Changers

Spare parts list

COPYRIGHT NOTICE

The information contained in this document is property of Snap-on Incorporated. It, or any of the information contained within, shall not be used, copied, or reproduced without express written consent of Snap-on

TRADEMARK NOTICE

 and Snap-on Incorporated are registered trademarks

1.53-9a-Oct-03



- **On order specify:** type of machine and serial number item code and quantity.
- **A la commande:** bien préciser le type de la machine, le n° de serie, la référence de pièce, la quantité.
- **All'ordine specificare:** tipo macchina e matricola, codice e quantità del particolare.
- **En cada pedido hay que especificar:** el tipo de máquina y su número de matrícula, el número de código de la pieza requerida y su cantidad.
- **Na encomenda especifique:** tipo da máquina e número de série, código do item e quantidade.
- **Bei Auftragserteilung anzugeben:** Maschinentype, Serinnummer, Artikel-Code, Menge.
- **Specificeer op een order:** machine type en serienummer, artikelnummer en aantal.
- **Vid order specificisera:** Maskin typ och serie nr reservdels nr ochantal.

Note: BOLD TYPE CODES ON EACH TABLE MEANS SUGGESTED SPARE PARTS - Ex. **ST0011111**



153-a-Oct-03

THIS PART IS FOR EXCLUSIVE USE OF QUALIFIED PERSONNEL FOR MAINTENANCE AND SERVICE PURPOSES.

CETTE PARTIE EST RESERVEE AU PERSONNEL QUALIFIE ET AUTORISE A LA MAINTENANCE ET AU SERVICE APRES-VENTE.

QUESTA PARTE É AD USO ESCLUSIVO DEL PERSONALE QUALIFICATO ED AUTORIZZATO ALLA MANUTENZIONE ED ASSISTENZA.

ESTA PARTE ES PARA USO EXCLUSIVO DEL PERSONAL CALIFICADO Y AUTORIZADO PARA EL MANTENIMIENTO Y LA ASISTENCIA.

ESTA PARTE ES PARA USO EXCLUSIVO POR PESSOAL ESPECIALIZADO ED AUTORIZADO A LA MANUTENÇÃO

DIESER ABSCHNITT IST AUSSCHLIESSLICH DEM WARTUNGSFACH-UND KUNDENDIENSTPERSONAL VORBEHALTEN

DENNE DEL ER BEREGNET TIL BRUK FOR KVALIFISERT PERSONALE FOR VEDLIKEHOLD OG SERVICE

DENNA DEL ÄREN BART TILL FÖR UTBILDAD PERSONAL VID UNDERHÅLLS- OCH SERVICEARBETEN

TÄMÄ OSA ON TARKOITETTU AINOASTAAN VALTUUTETUN HUOLTOHENKILÖSTÖN KÄYTTÖÖN HUOLTOTARKOITUKSIIN

DIT GEDEELTE IS ALLEEN BESTEMD VOOR BEVOEGDE PERSONEN VOOR ONDERHOUD EN SERVICE DOELEINDEN

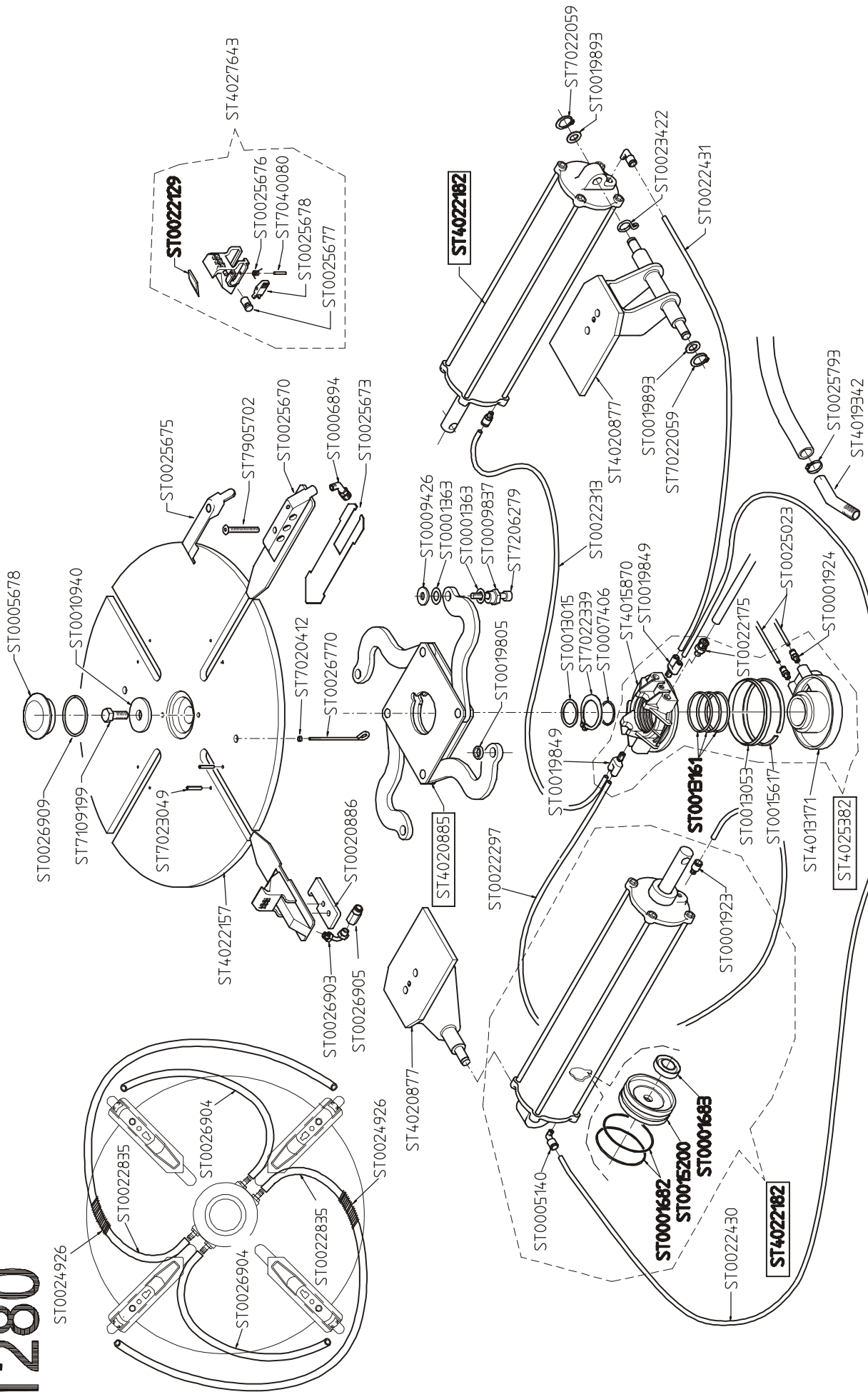
DENNE DEL ER KUN BEREGNET TIL BRUG FOR FAGLÆRTE OG FOLK SOM ER KVALIFICERET OG AUTORISERET TIL VEDLIGEHOELSE OG SERVICE

AYTO TO MEPOΣ EINAI ΓΙΑ ΤΗΝ ΑΠΟΚΛΕΙΣΤΙΚΗ ΧΡΗΣΗ ΕΚ ΜΕΡΟΥΣ ΕΞΟΥΣΙΟΛΟΘΗΜΕΝΟΥ ΙΚΑΝΟΥ ΠΡΟΣΩΠΙΚΟΥ ΓΙΑ ΕΡΓΑΣΙΕΣ ΣΥΝΤΗΡΗΣΗΣ ΚΑΙ ΕΠΙΣΚΕΥΗΣ

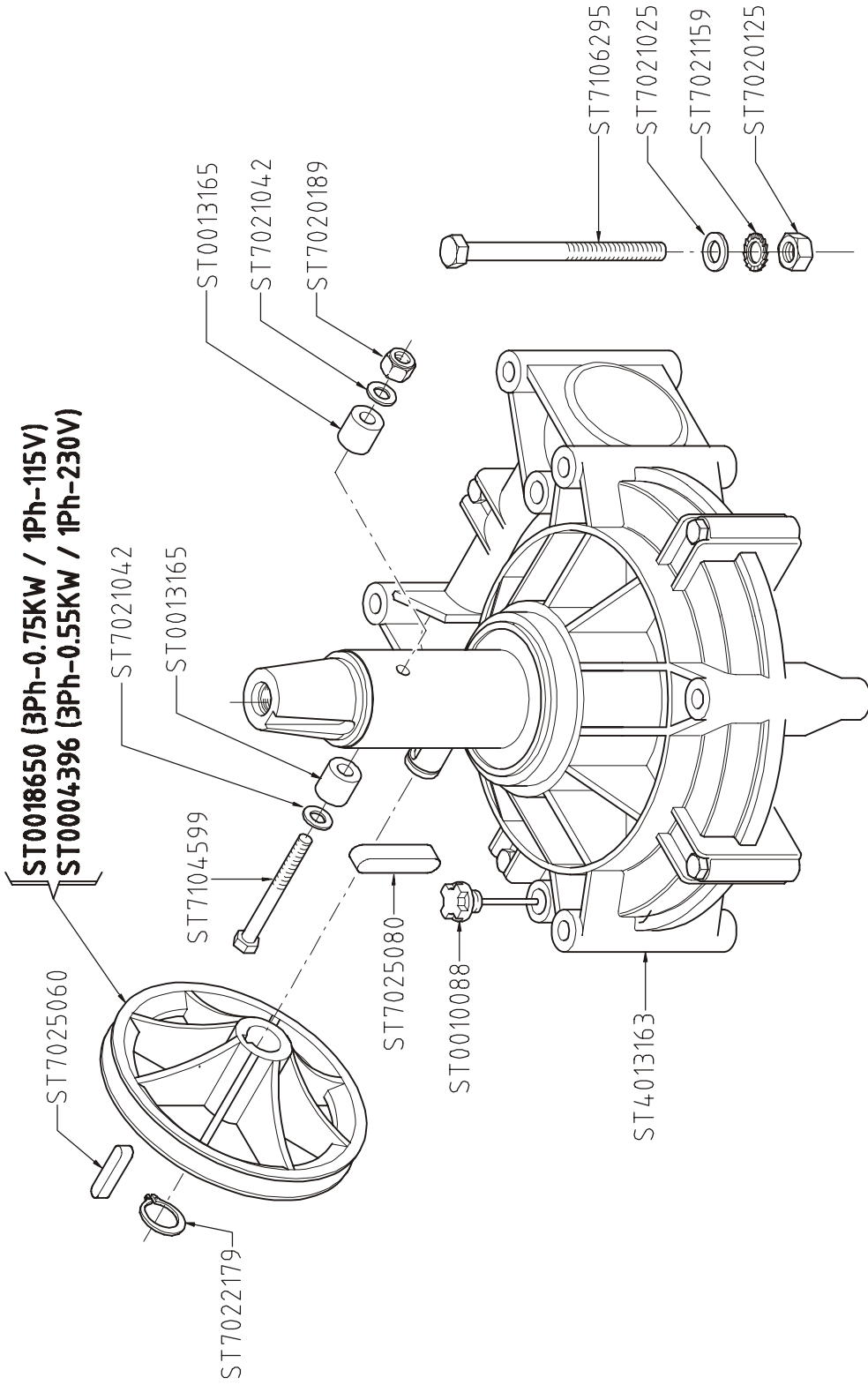
(BLANK PAGE)

153-aa-Oct-03

1280

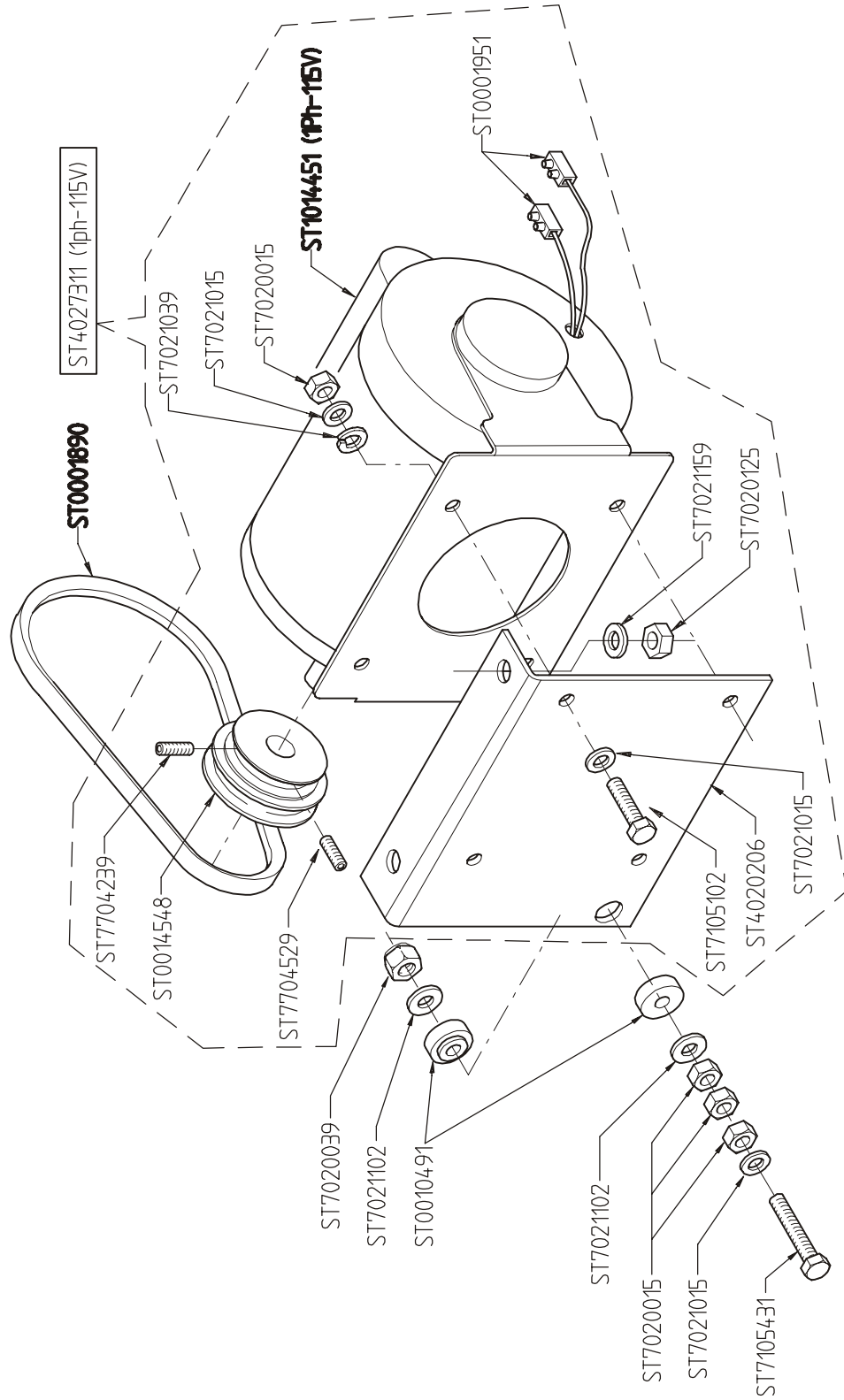


627

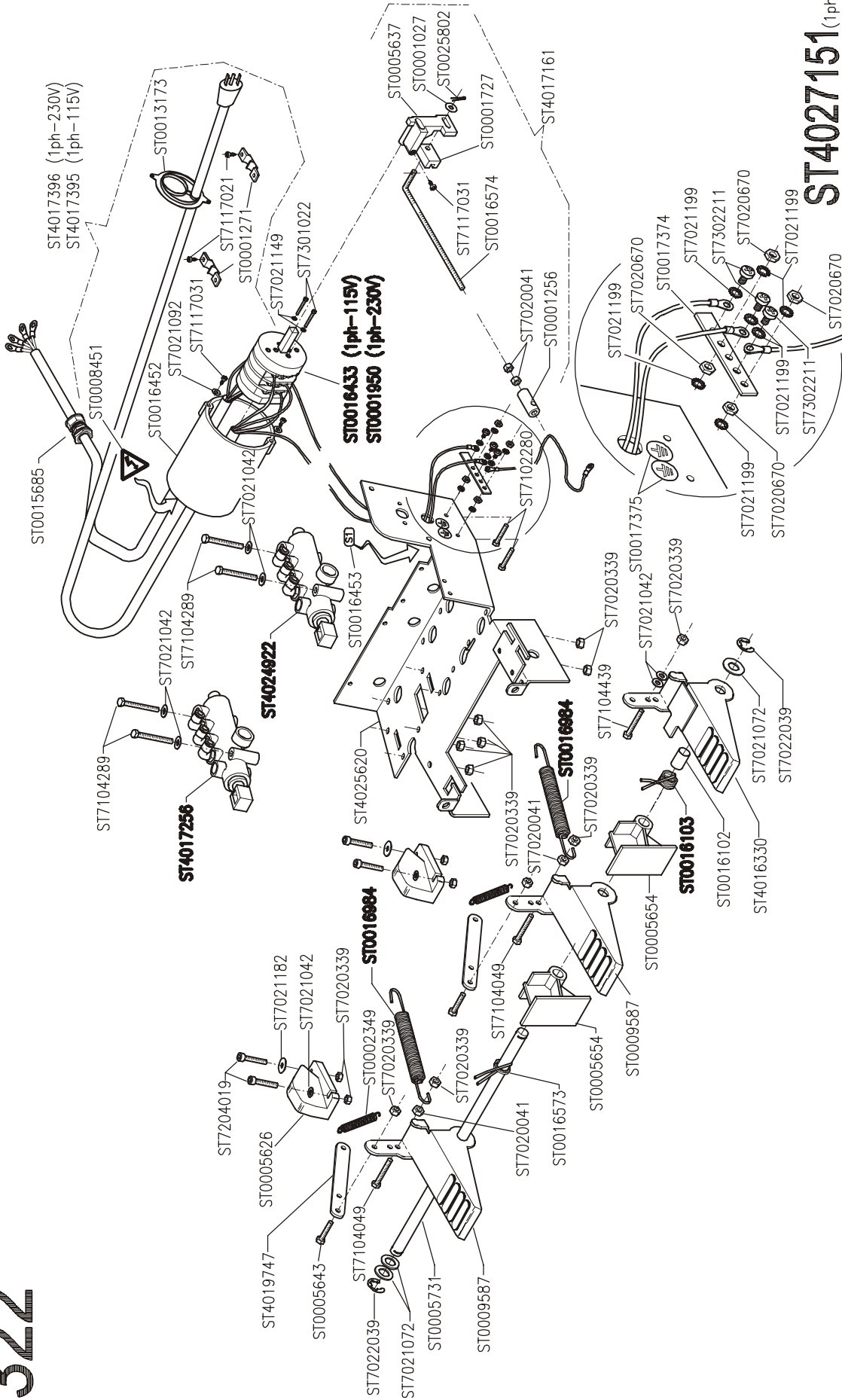


1320

1.53-ae-Oct-03



1322



ST4027151 (1ph-115V)
ST4026687 (1ph-230V)

10/2003

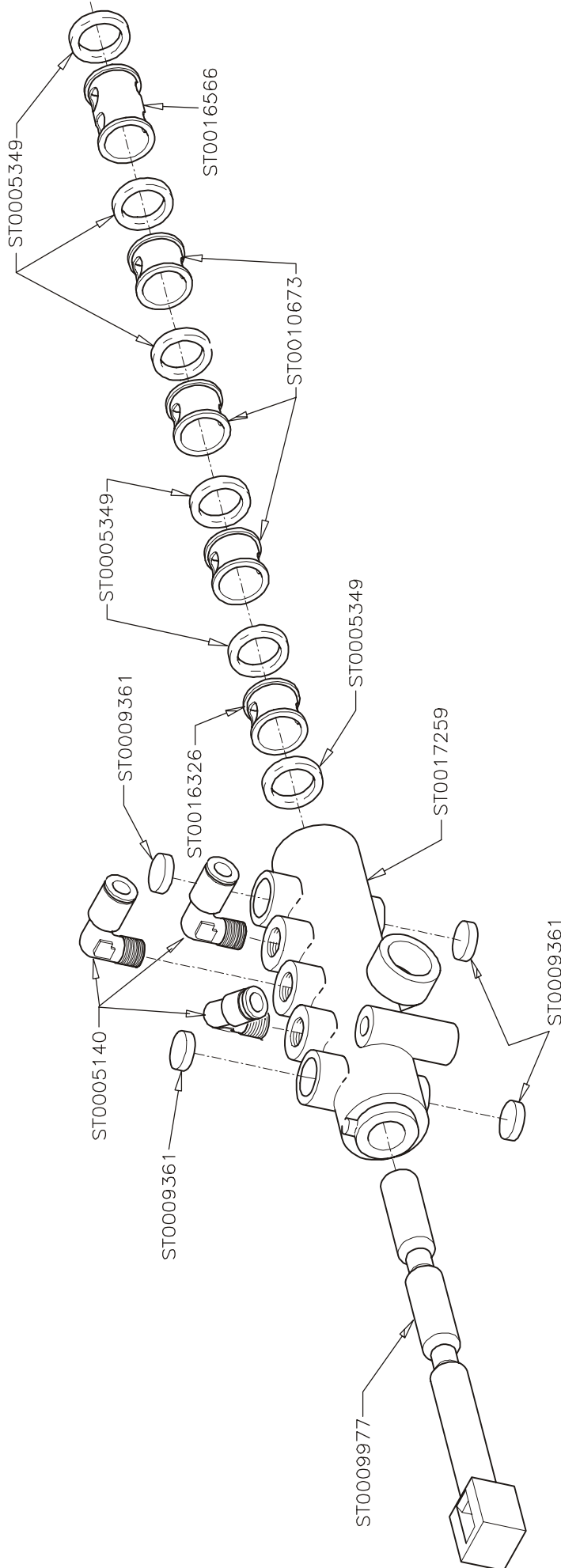
133-a-06e-03

ST4017256

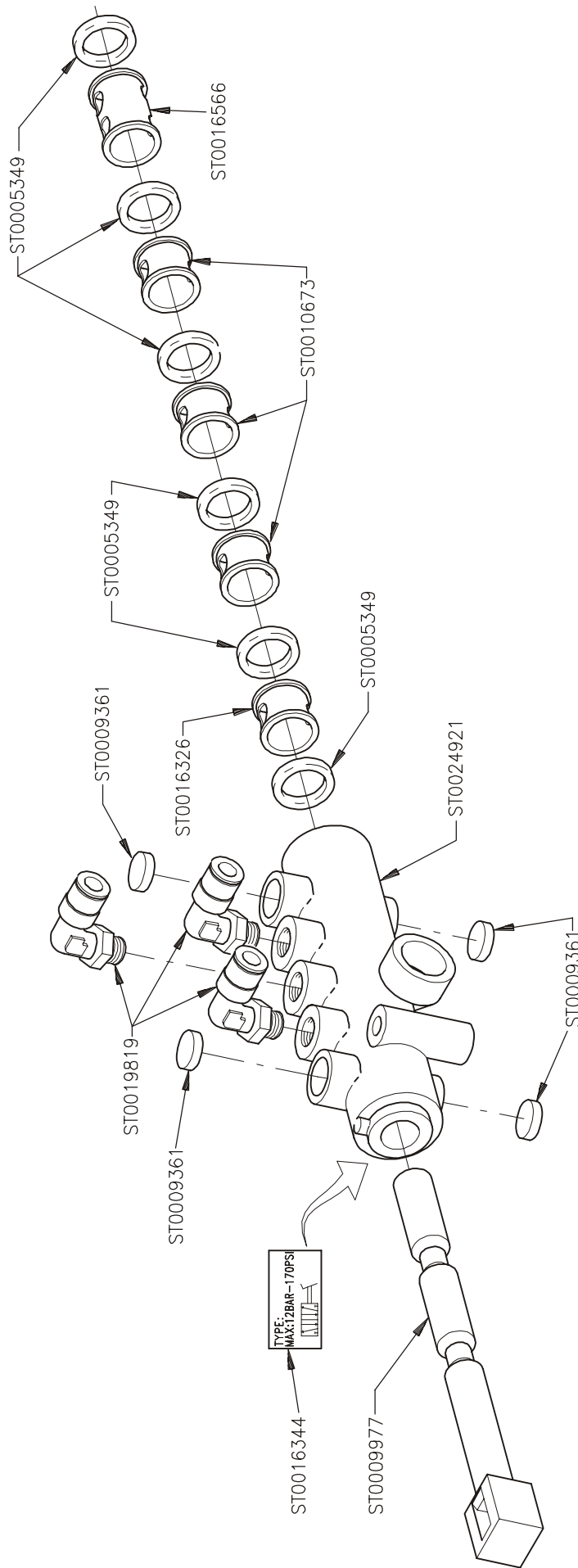
09/97

1.53-a-Oct-03

640



1324



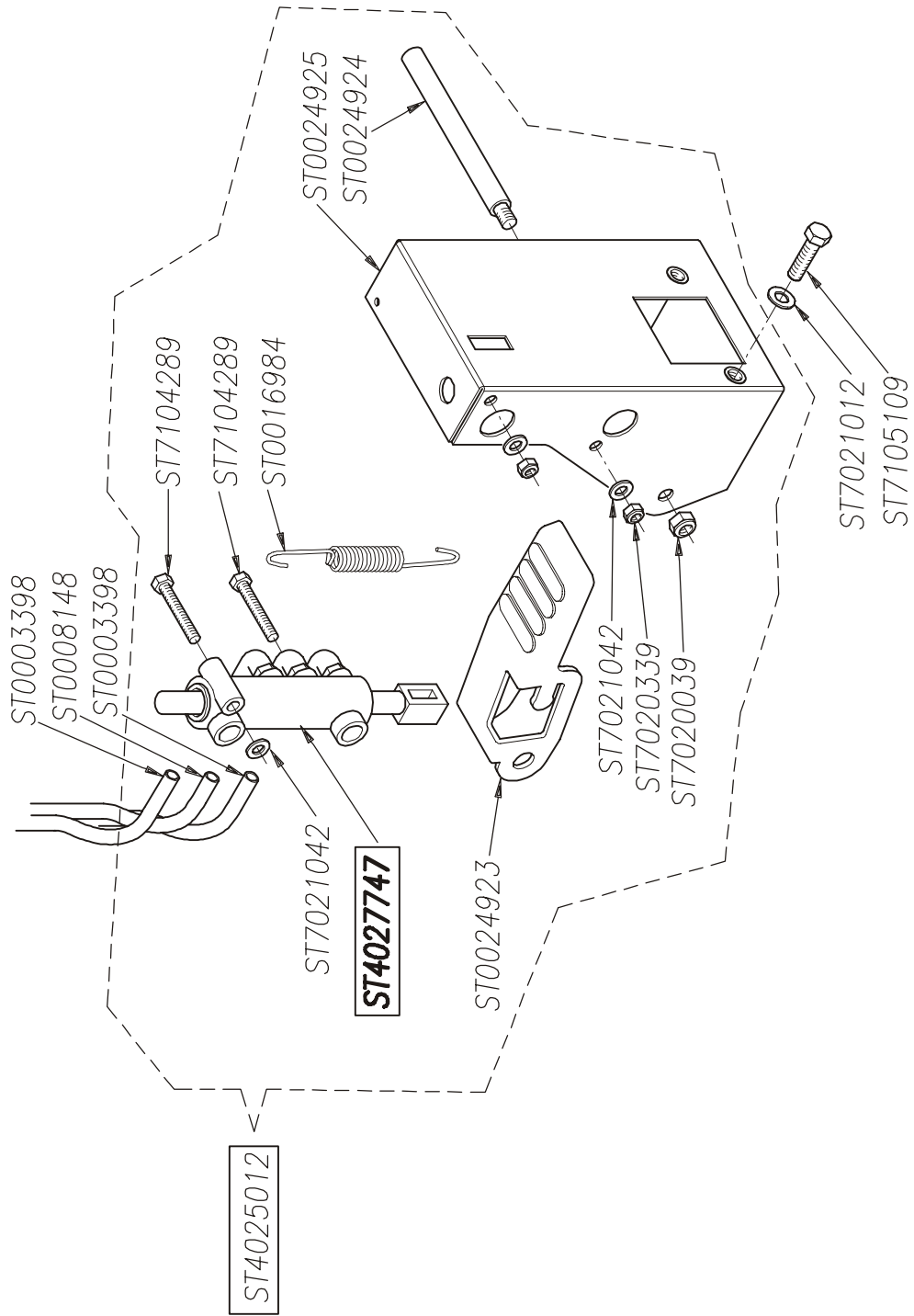
ST4024922

09/2003

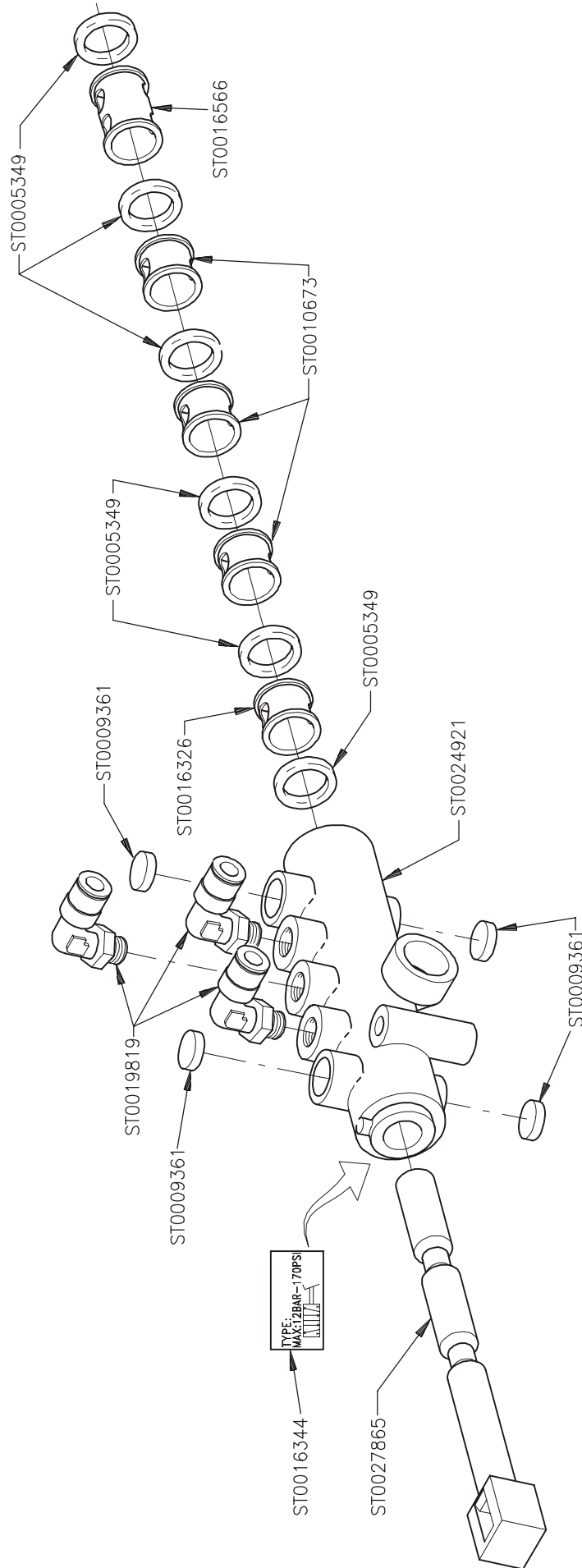
133-a-06r-03

1.53-a-Oct-03

1323



1309

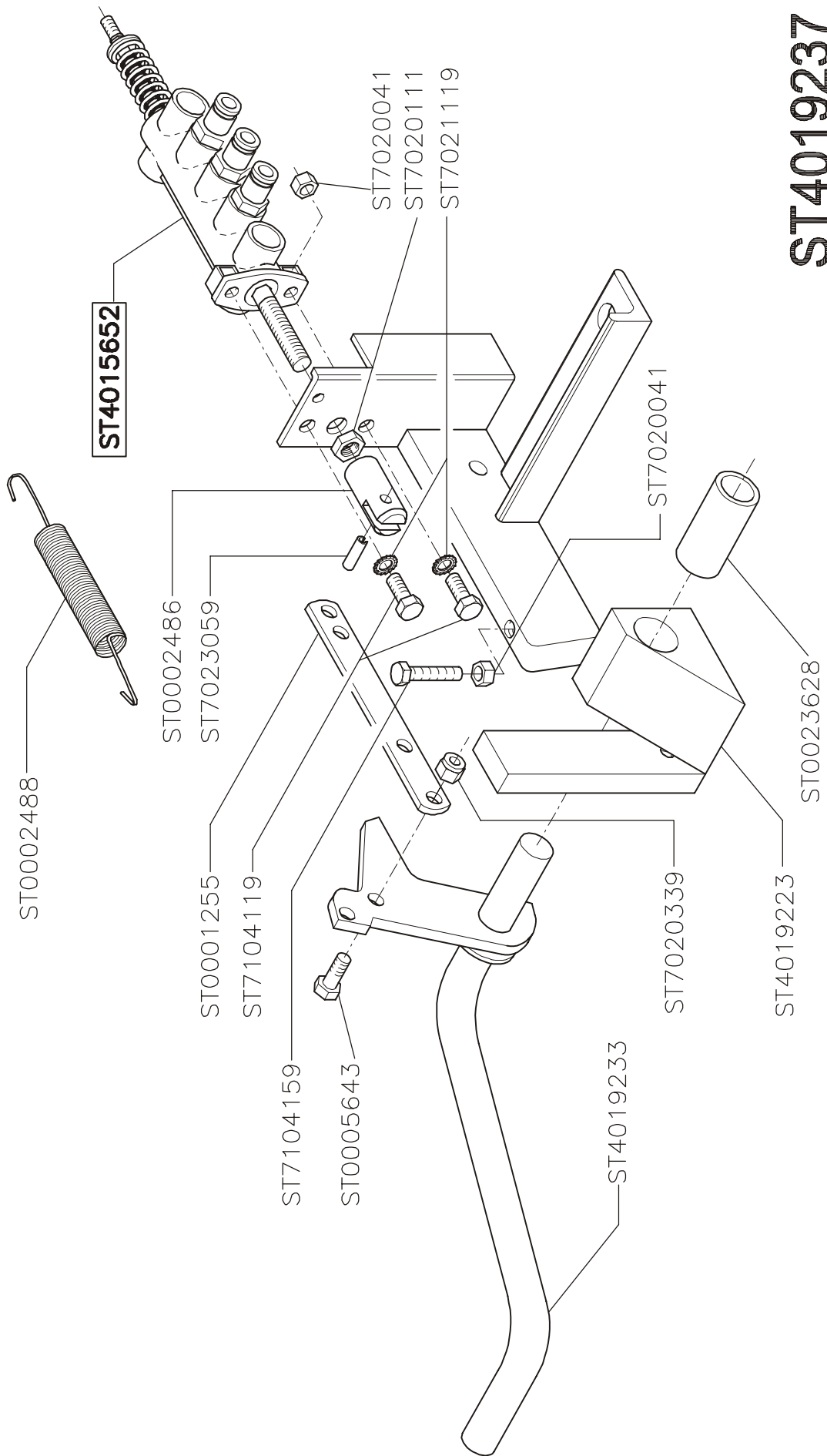


ST4019237

01/2001

824.a

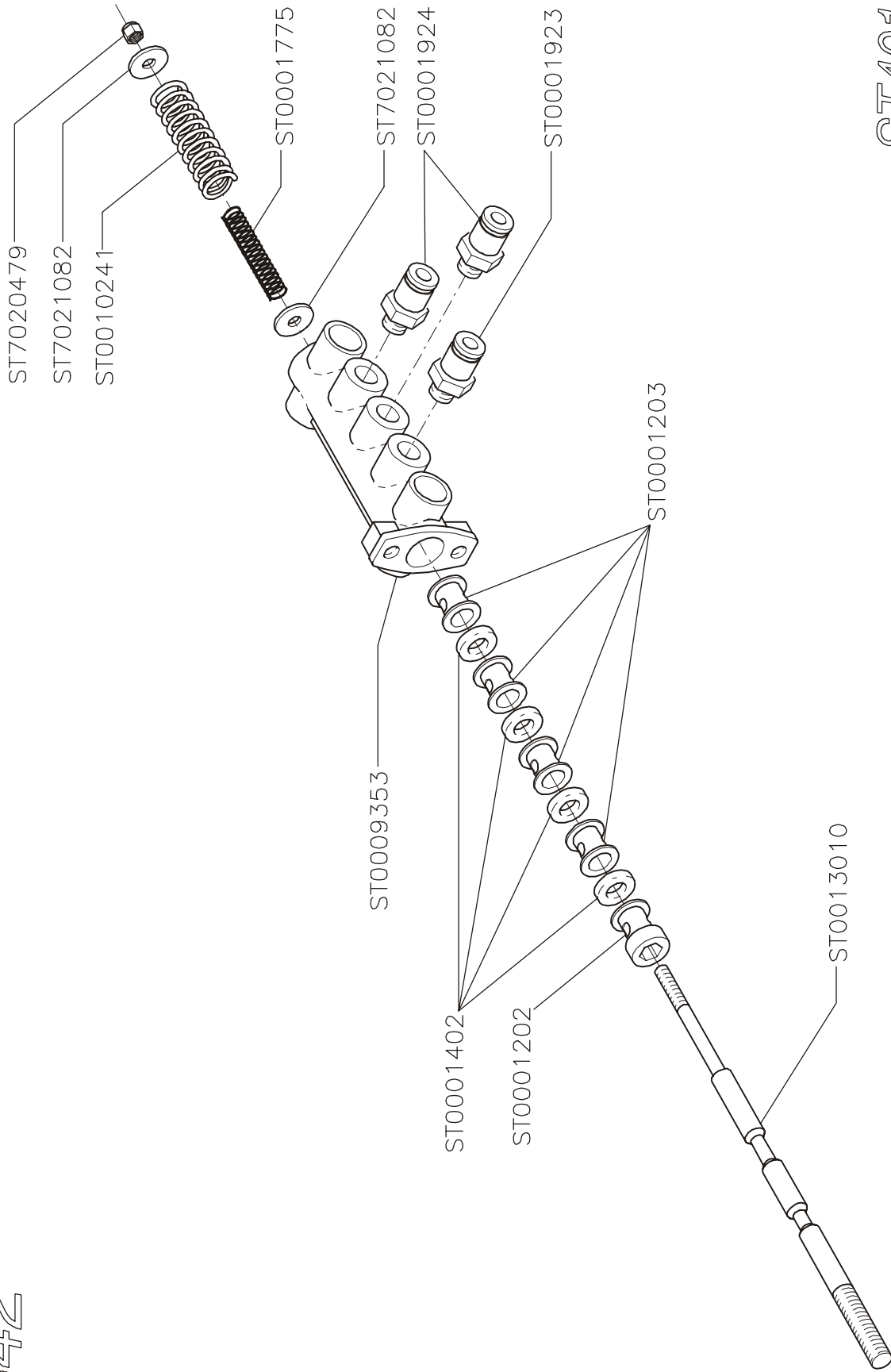
153-a-Oct-03



ST4015652

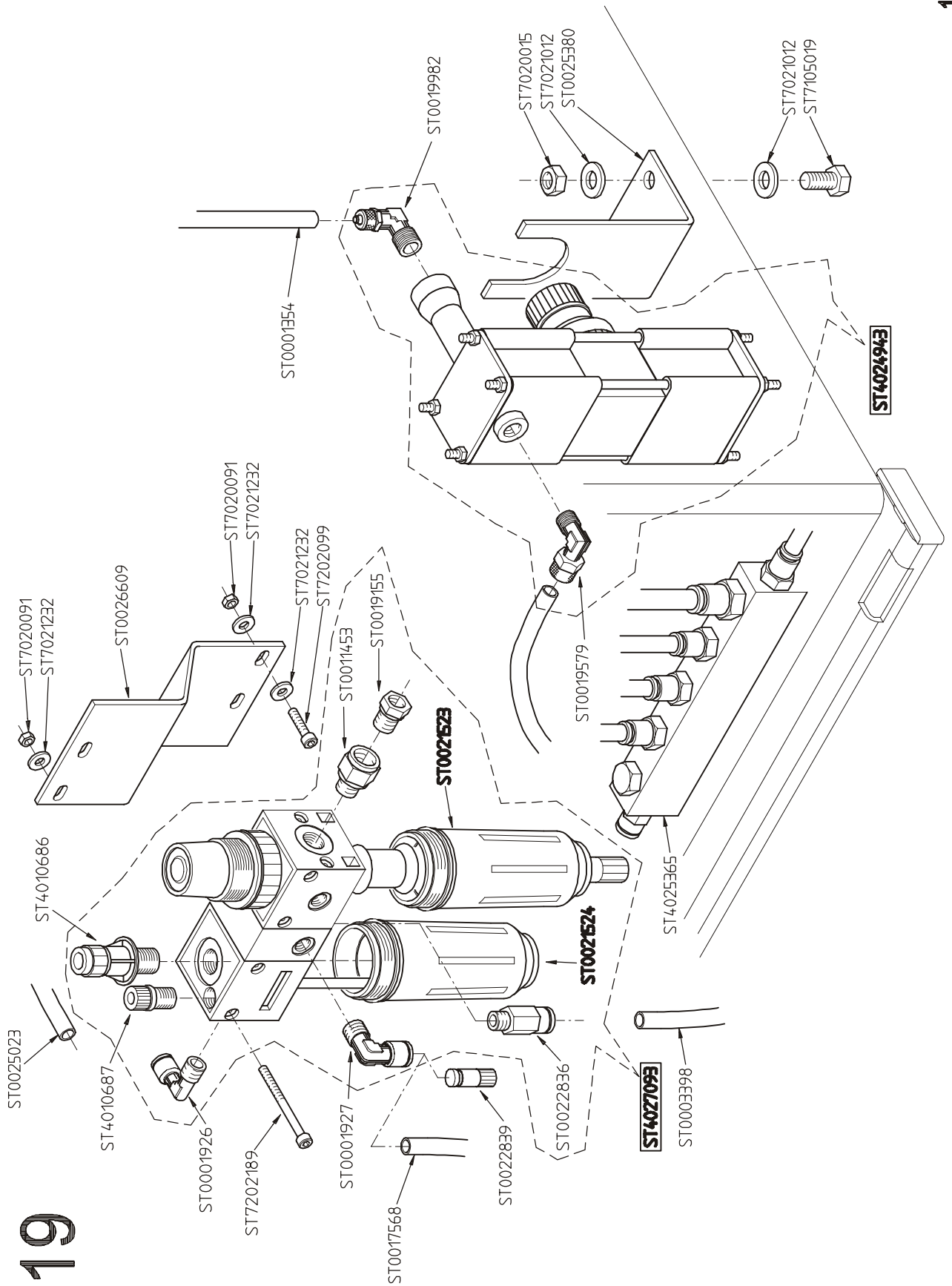
08/95

642

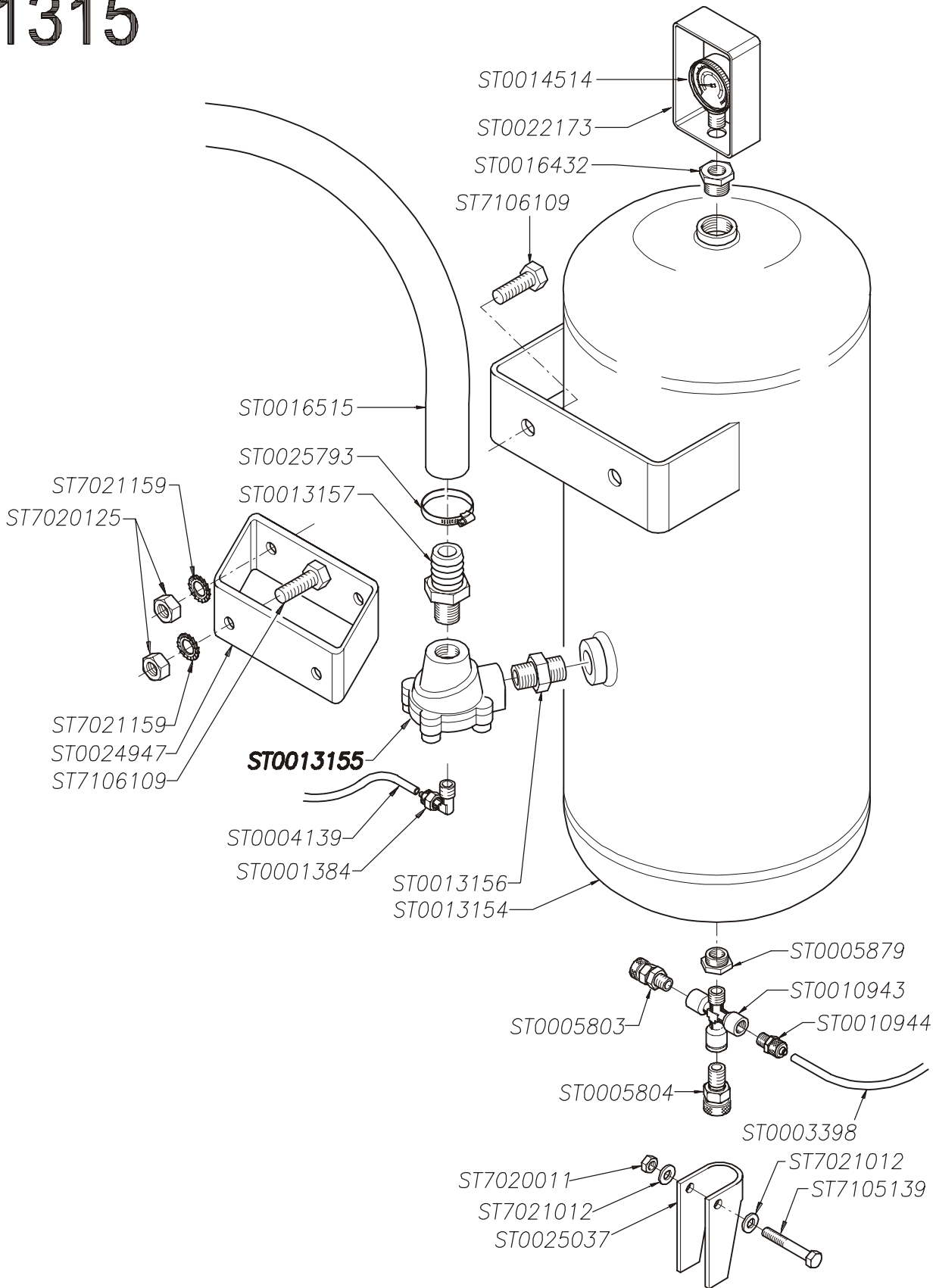


1.53-aa-Oct-03

1319



1315

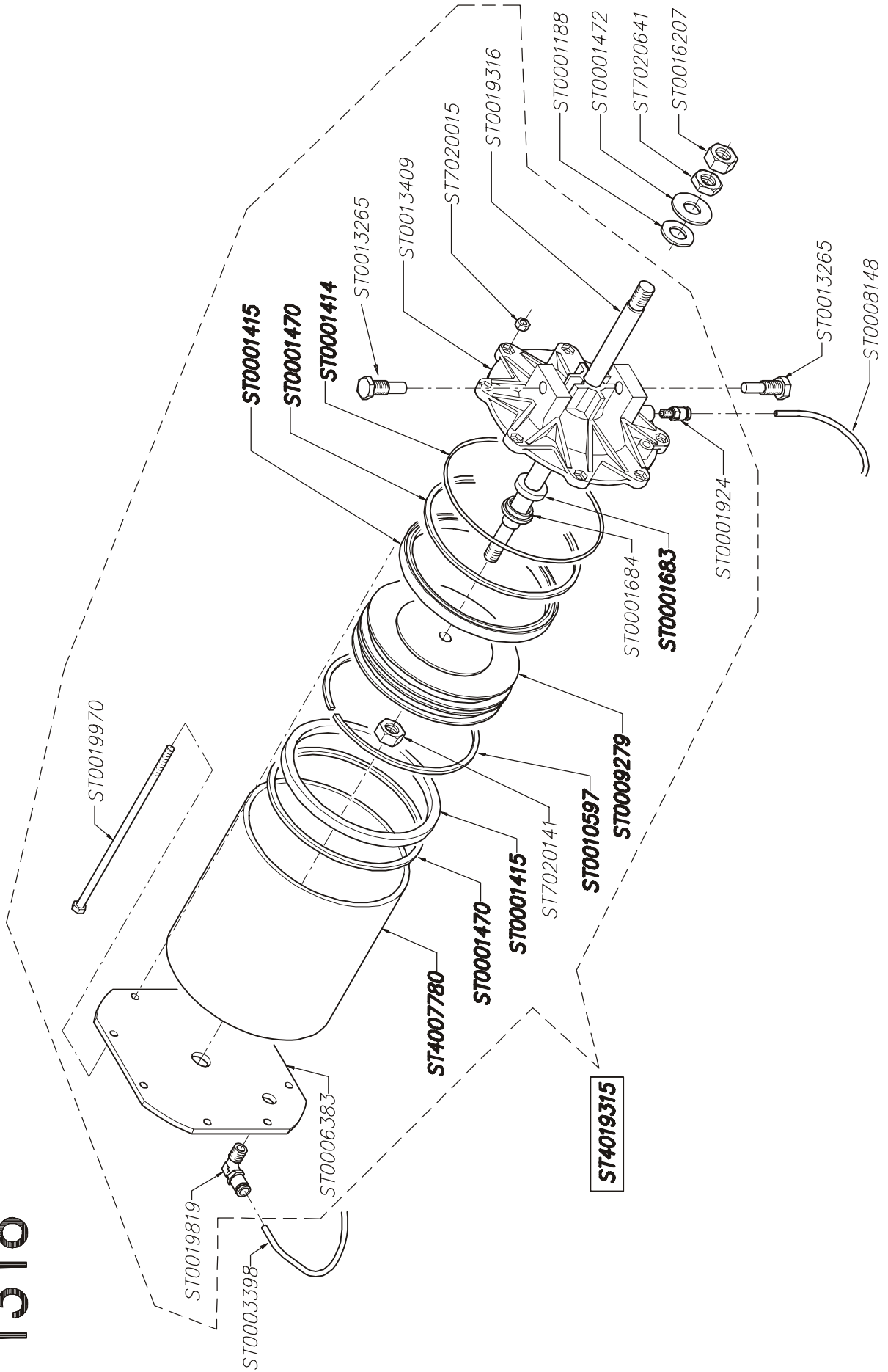


133-a-06r-03

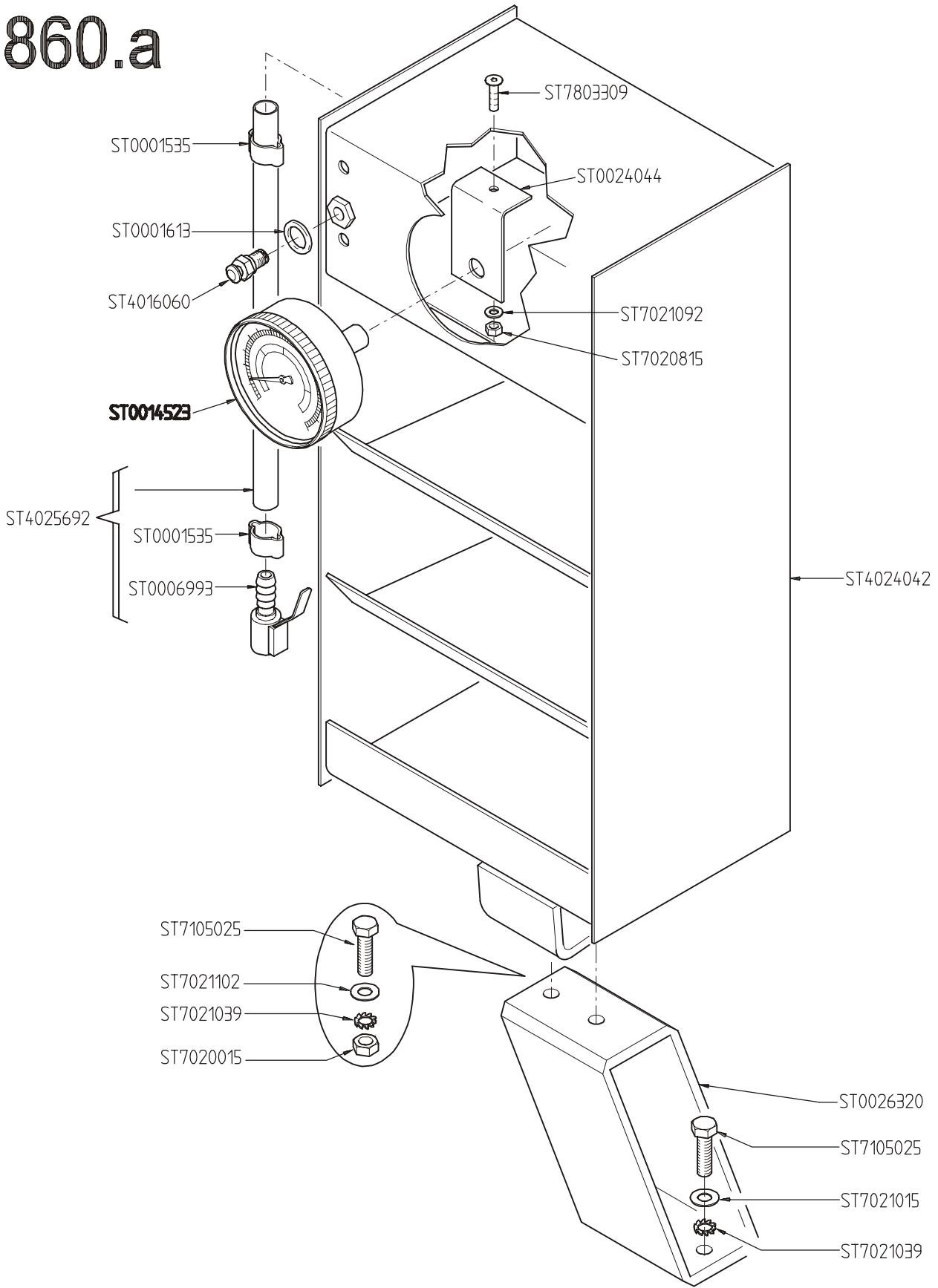
10/2003

1.53-ae-Oct-03

1318



860.a

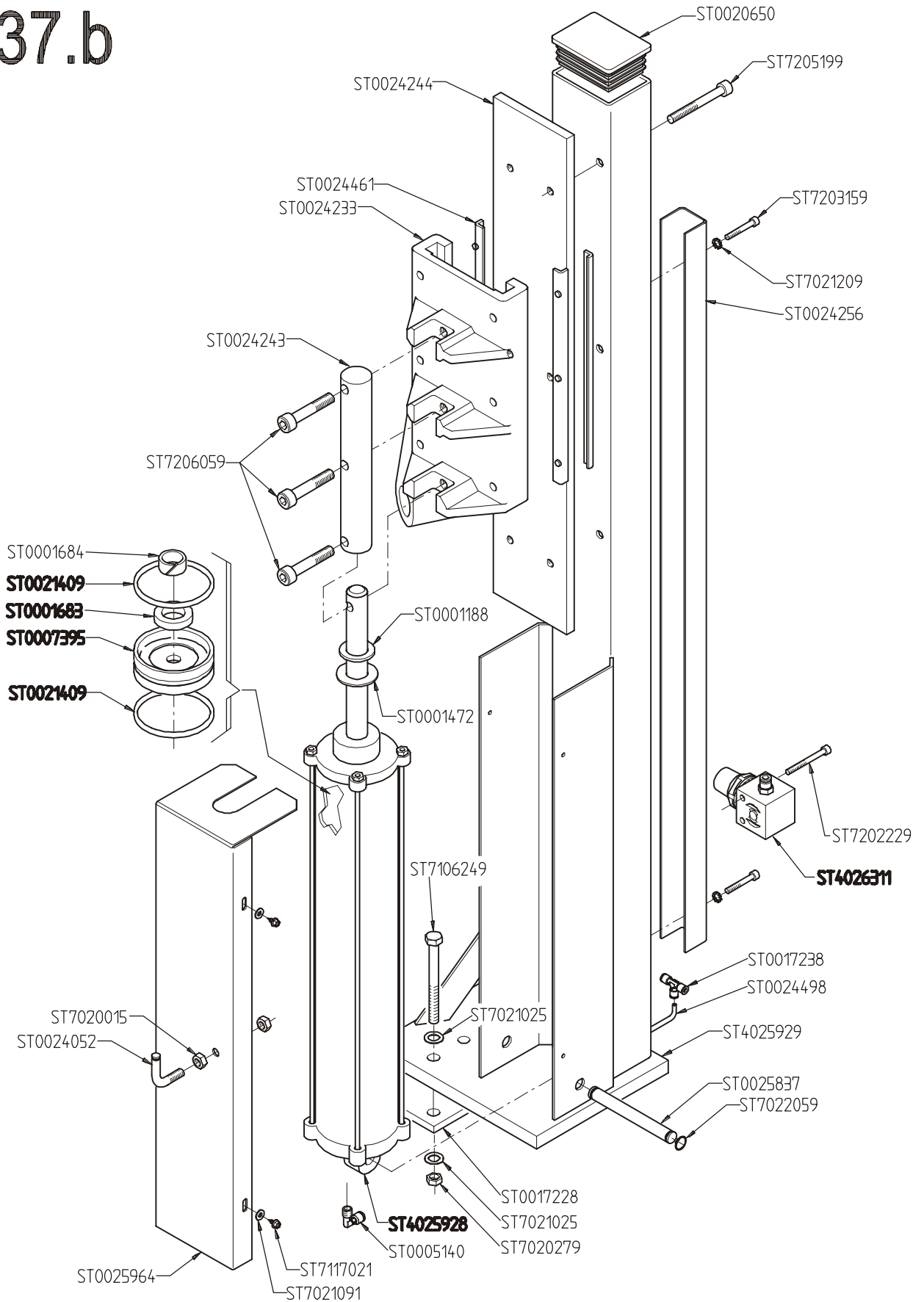


153-a-Oct-03

ST4024041

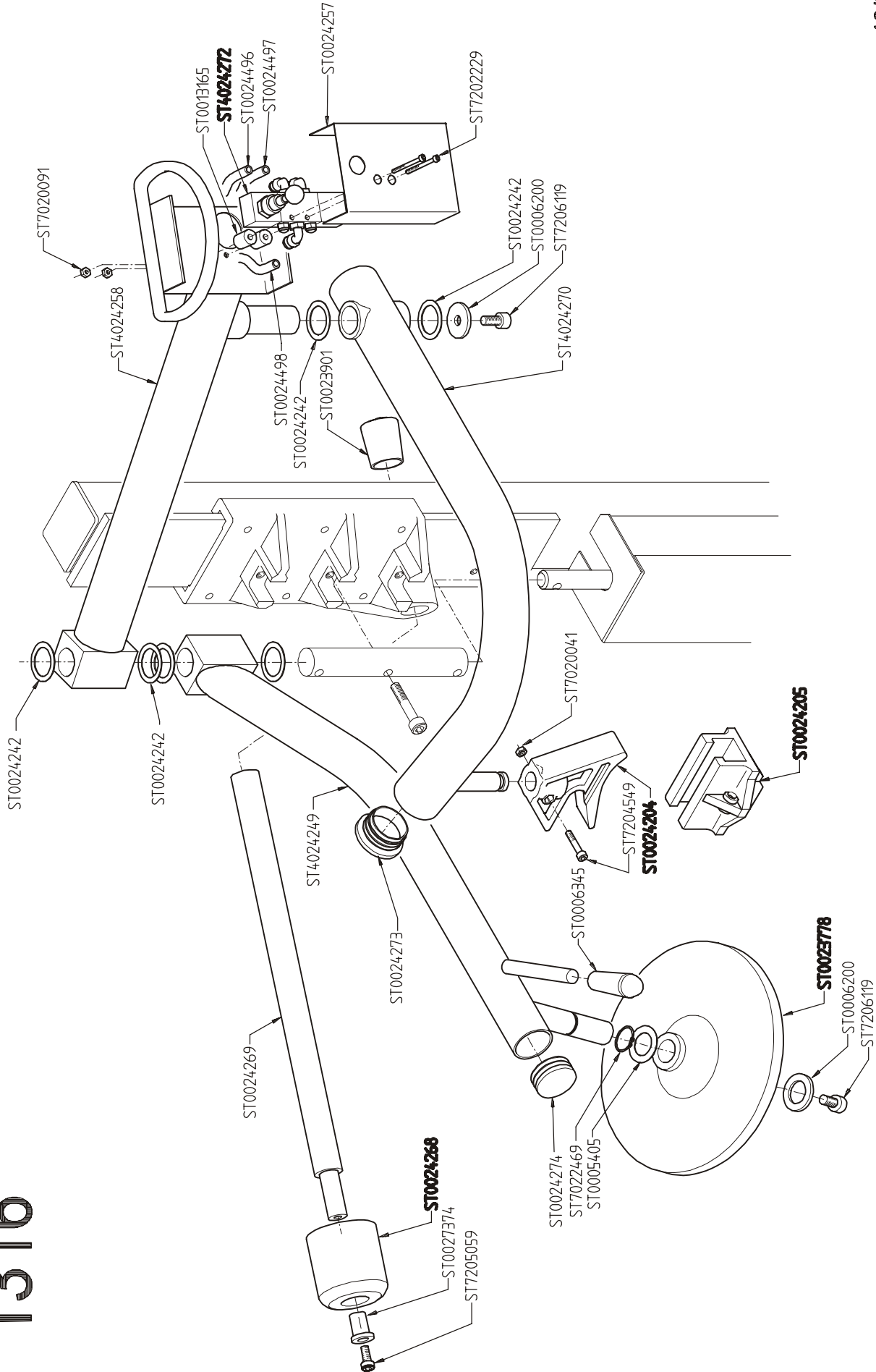
10/2003

937.b



1.53-ae-Oct-03

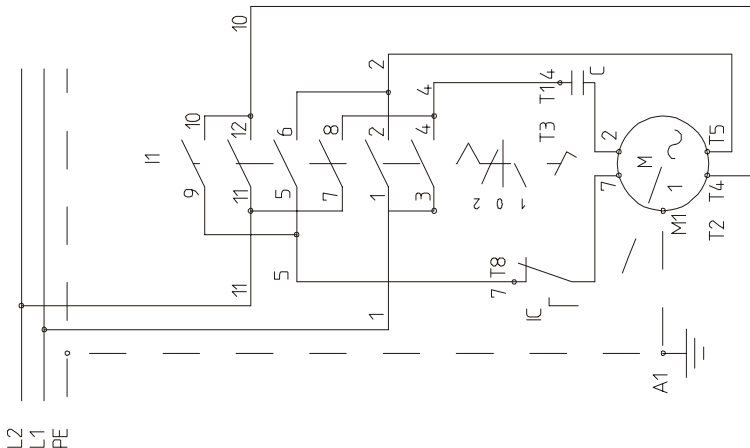
1316



1.53-a-Oct-03

1ph-115V

3	9-10									
	11-12									
2	5-6									
	7-8									
1	1-2									
	3-4									
		1	0	2						

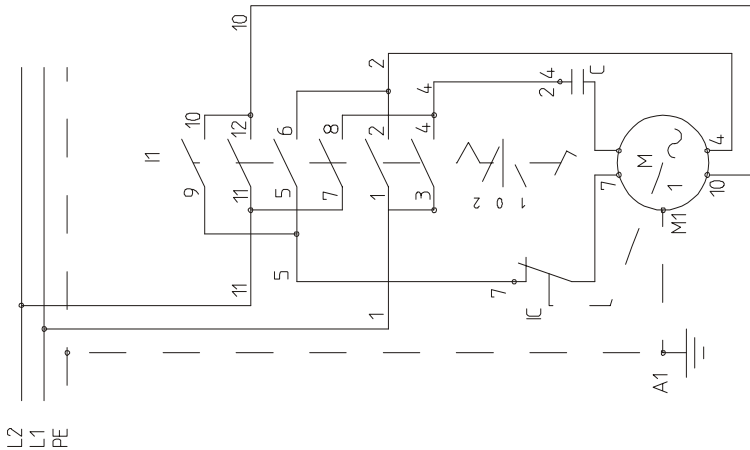


SCHEMA COLLEGAMENTO INVERTITORE
 SCHEMA DE CONNECTION DE L'INVERSEUR
 INVERTER CONNECTION DIAGRAM
 WENDEGETRIEBE ANSCHLUSSPLAN

T ALLACCIAMENTO MORSETTIERA MOTORE
 T CONNECTION DES ETIAX OU MOTEUR
 T MOTOR TERMINAL BOARD CONNECTION
 T MOTOR - KLEMBRETT ANSCHLUSS
 C CONDENSATEUR CONDENSATEUR
 IC INT. CENTRIFUGO INT. CENTRIFUGO
 M1 INVERTITORE INVERSEUR
 M1 MOTORE MOTOR
 A1 CARCASSA CHASSIS

CAPACITOR KONDENSATOR
 SPINNING SWITCH SCHLEUDERSCHALTER
 REVERSING SWITCH WENDESCHALTER
 MOTOR MOTOR
 FRAME GEHAUSE

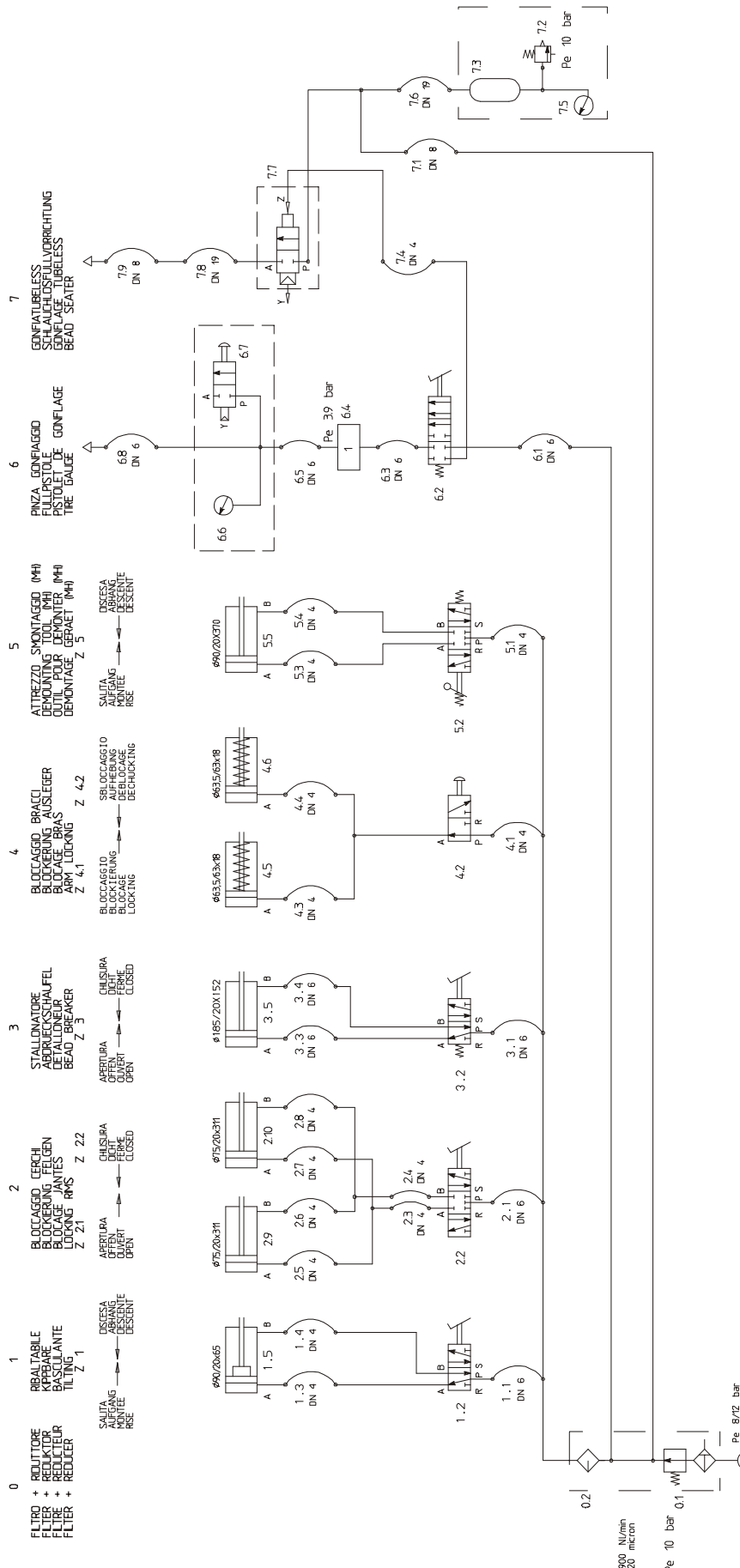
MOTORE LEESON
 MOTEUR LEESON
 MOTOR LEESON
 MOTOR LEESON



MOTORE AO SMITH
 MOTEUR AO SMITH
 MOTOR AO SMITH
 MOTOR AO SMITH

MODIFICA: 1) AGGIORNATO SCHEMA / 13-05-99 / FL.
 2) AGGIUNTO SCHEMA PER MOTORE LEESON / 2001-03-12 / PRATZOLI

MATERIALE		STATO MATERIALE		DIMENSIONI		TRATTAMENTI		HRC	
TOLLERANZE QUOTE LIBERE JS 14 - js 14	SPUSSI E RAGGI NON QUOTATI: 0,5 mm	PROGETTISTA	DESIGNATORE	DATA	DATA	SOSTITUISCE IL N. DEL		0014449	
ORIGINE:	FAMIGLIA	VISTO DIR. TECNICO:	DESCRIZIONE	SCALA	1999-05-13	SOSTITUITO DAL N.		DEL 02-11-92	
	824		PROGETTO					COD. SNAP-ON	
			3400	SCHEMA ELETTRICO	MOTORE MONDFASE	AMERICANO		DIS. N. 0014449	



0 FILTRO + REDUTTORE
 FILTER + REDUCTOR
 FILTER + REDUCER

1 INALTABLE
 INCLINABLE
 INCLINABLE

2 BLOCCAGGIO CERCHI
 BLOCKING WHEELS
 BLOCKING WHEELS

3 STALLONATORE
 ARM LOCKING
 ARM LOCKING

4 BLOCCAGGIO BRACCI
 BLOCKING ARMS
 BLOCKING ARMS

5 ATTREZZO SMONTAGGIO
 REMOVING TOOL
 REMOVING TOOL

6 PINZA GONFIAGGIO
 INFLATING PINCH
 INFLATING PINCH

7 GENIATURELESS
 SNAIL-UP/DOWN
 SNAIL-UP/DOWN

8
 9
 10

1 VALVOLA LIMITATRICE E DI CONTROLLO DELLA PRESSIONE DI GONFIAGGIO
 1) INFLATING PRESSURE LIMITING AND REGISTER VALVE

				FIRMA/GEZ SIGNATURE BARIGAZZI	CLIENTE/BESTELLER CLIENT/CUSTOMER	GRUPPO BLATT GROUP PAGE	Nr. PAGINE V. BLATT Nr. DE PAGES
				DATA DATUM DATE 2003-10-02	Nr. ORDINE COMMANDE Nr. P. D. NUMBER	1	2
				TIPO MODELLI MODEL 3300			
				CODICE MACCHINA INVENTAR Nr. MACHINE REF. CODE MACHINE			
				DATA DATUM DATE	VISTO GEPÜFT CONTROLE PAR TESTED BY		
				MODIFICA ÄNDERUNG MODIFICATION CHANGE	SCHEMA PNEUMATISCHEN EEW311 PNEUMATIC SCHEMA EEW311 PNEUMATIC SCHEMA EEW311		
Nr.						FAMILIJA CODE 824	0029348

153-a-Oct-03



Snap-on Incorporated
2801 80th Street
Kenosha, WI 53141 - 1410

For Service Call:
1-800-225-5786

Notice: The information contained in this document is subject to change without notice. Snap-on Incorporated makes no warranty with regard to this material. Snap-on Incorporated shall not be liable for errors contained herein or for incidental consequential damages in connection with furnishings, performance, or use of this material.

This document contains proprietary information which is protected by copyright and patents. All rights are reserved. No part of this document may be photocopied, reproduced, or translated without prior written consent of Snap-on Incorporated.

Snap-on is a registered trademark of Snap-on Incorporated