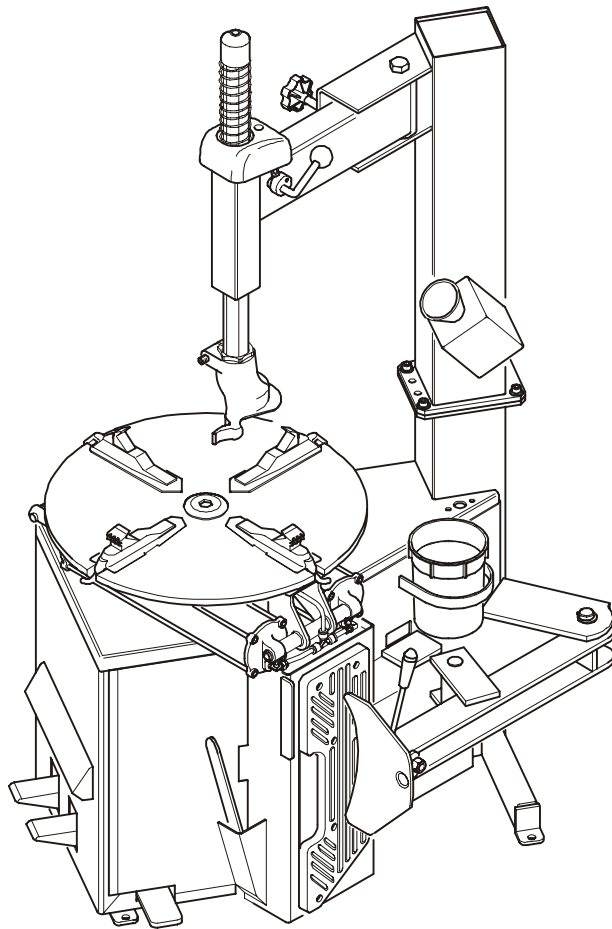


EEWH310A

Air/Electric Tire Changers

---

## Spare Part List



**Snap-on**® FORM TEEWH310A

---

*(BLANK PAGE)*

---

# EEWH310A

Air/Electric Tire Changers

## Spare parts list

### COPYRIGHT NOTICE

The information contained in this document is property of Snap-on Incorporated. It, or any of the information contained within, shall not be used, copied, or reproduced without express written consent of Snap-on

### TRADEMARK NOTICE

 and Snap-on Incorporated are registered trademarks

151-a-Sept-03



---

- **On order specify:** type of machine and serial number item code and quantity.
- **A la commande:** bien préciser le type de la machine, le n° de serie, la référence de pièce, la quantité.
- **All'ordine specificare:** tipo macchina e matricola, codice e quantità del particolare.
- **En cada pedido hay que especificar:** el tipo de máquina y su número de matrícula, el número de código de la pieza requerida y su cantidad.
- **Na encomenda especifique:** tipo da máquina e número de série, código do item e quantidade.
- **Bei Auftragserteilung anzugeben:** Maschinentype, Serinnummer, Artikel-Code, Menge.
- **Specificeer op een order:** machine type en serienummer, artikelnummer en aantal.
- **Vid order specificera:** Maskin typ och serie nr reservdels nr ochantal.

Note: BOLD TYPE CODES ON EACH TABLE MEANS SUGGESTED SPARE PARTS - Ex. **ST0011111**



151-ae-Sept-03

**THIS PART IS FOR EXCLUSIVE USE OF QUALIFIED PERSONNEL FOR MAINTENANCE AND SERVICE PURPOSES.**

**CETTE PARTIE EST RESERVEE AU PERSONNEL QUALIFIE ET AUTORISE A LA MAINTENANCE ET AU SERVICE APRES-VENTE.**

**QUESTA PARTE É AD USO ESCLUSIVO DEL PERSONALE QUALIFICATO ED AUTORIZZATO ALLA MANUTENZIONE ED ASSISTENZA.**

**ESTA PARTE ES PARA USO EXCLUSIVO DEL PERSONAL CALIFICADO Y AUTORIZADO PARA EL MANTENIMIENTO Y LA ASISTENCIA.**

**ESTA PARTE ES PARA USO EXCLUSIVO POR PESSOAL ESPECIALIZADO ED AUTORIZATO A LA MANUTENÇÃO**

**DIESER ABSCHNITT IST AUSSCHLIESSLICH DEM WARTUNGSFACH-UND KUNDENDIENSTPERSONAL VORBEHALTEN**

**DENNE DEL ER BEREGNET TIL BRUK FOR KVALIFISERT PERSONALE FOR VEDLIKEHOLD OG SERVICE**

**DENNA DEL ÄREN BART TILL FÖR UTBILDAD PERSONAL VID UNDERHÅLLS- OCH SERVICEARBETEN**

**TÄMÄ OSA ON TARKOITETTU AINOASTAAN VALTUUTETUN HUOLTOHENKILÖSTÖN KÄYTTÖÖN HUOLTOTARKOITUKSIIN**

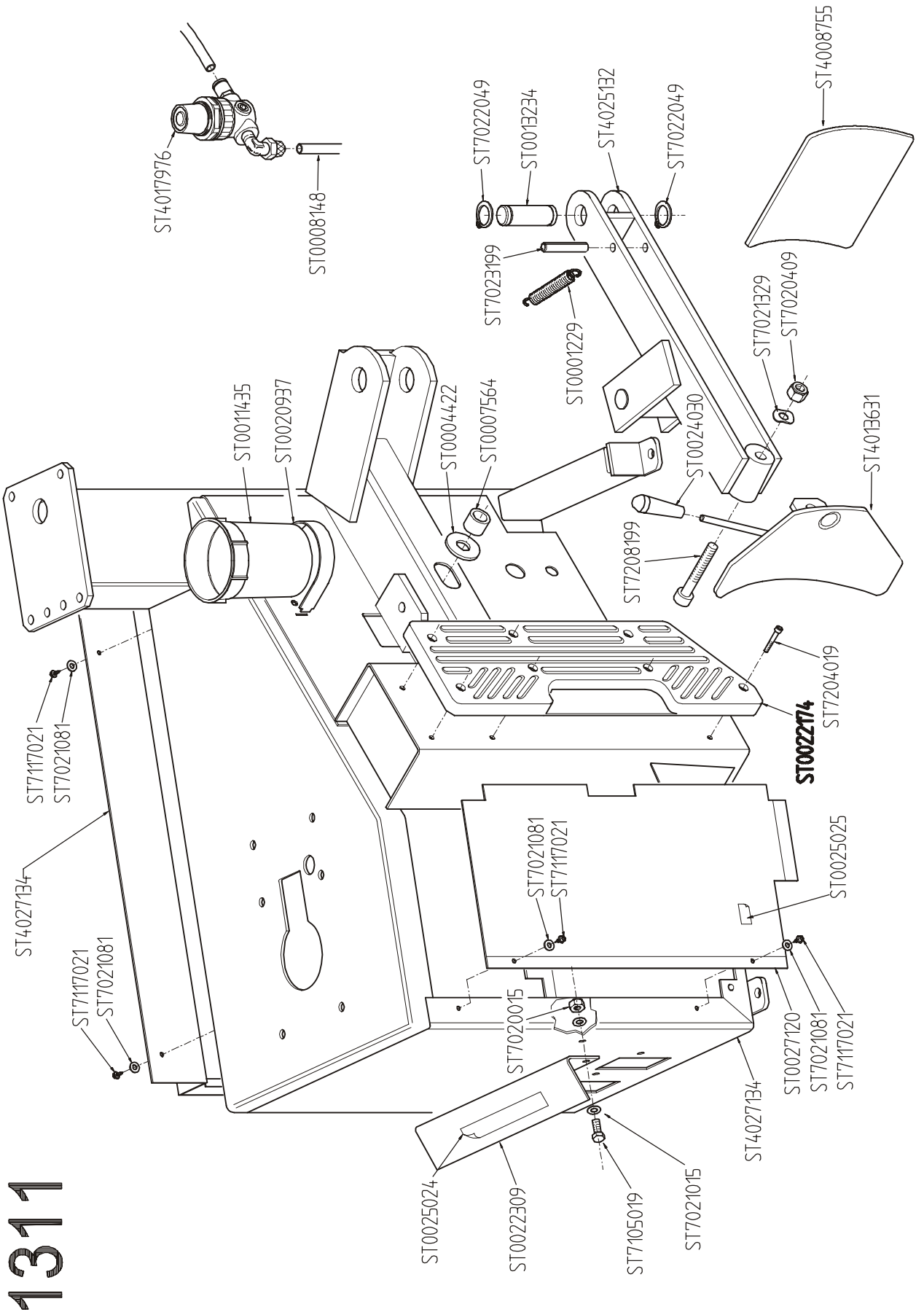
**DIT GEDEELTE IS ALLEEN BESTEMD VOOR BEVOEGDE PERSONEN VOOR ONDERHOUD EN SERVICE DOELEINDEN**

**DENNE DEL ER KUN BEREGNET TIL BRUG FOR FAGLÆRTE OG FOLK SOM ER KVALIFICERET OG AUTORISERET TIL VEDLIGEHOELSE OG SERVICE**

**AYTO TO MEPOS EINAI GIA THN AΠΟΚΛΕΙΣΤΙΚΗ ΧΡΗΣΗ ΕΚ ΜΕΡΟΥΣ ΕΞΟΥΣΙΟΛΟΘΗΜΕΝΟΥ ΙΚΑΝΟΥ ΠΡΟΣΩΠΙΚΟΥ ΓΙΑ ΕΡΓΑΣΙΕΣ ΣΥΝΤΗΡΗΣΗΣ ΚΑΙ ΕΠΙΣΚΕΥΗΣ**

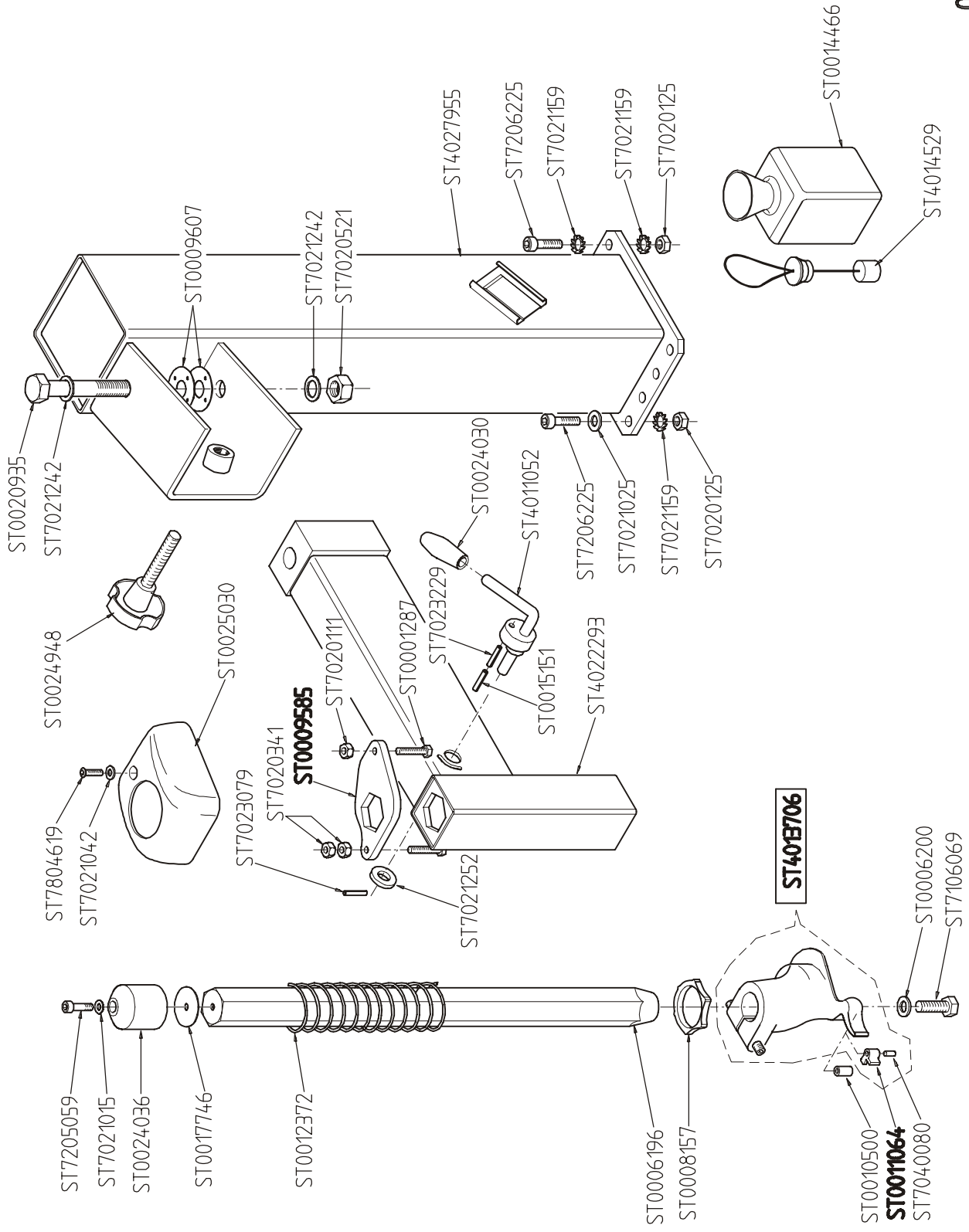
*(BLANK PAGE)*

151-9a-SmmE-03



1311

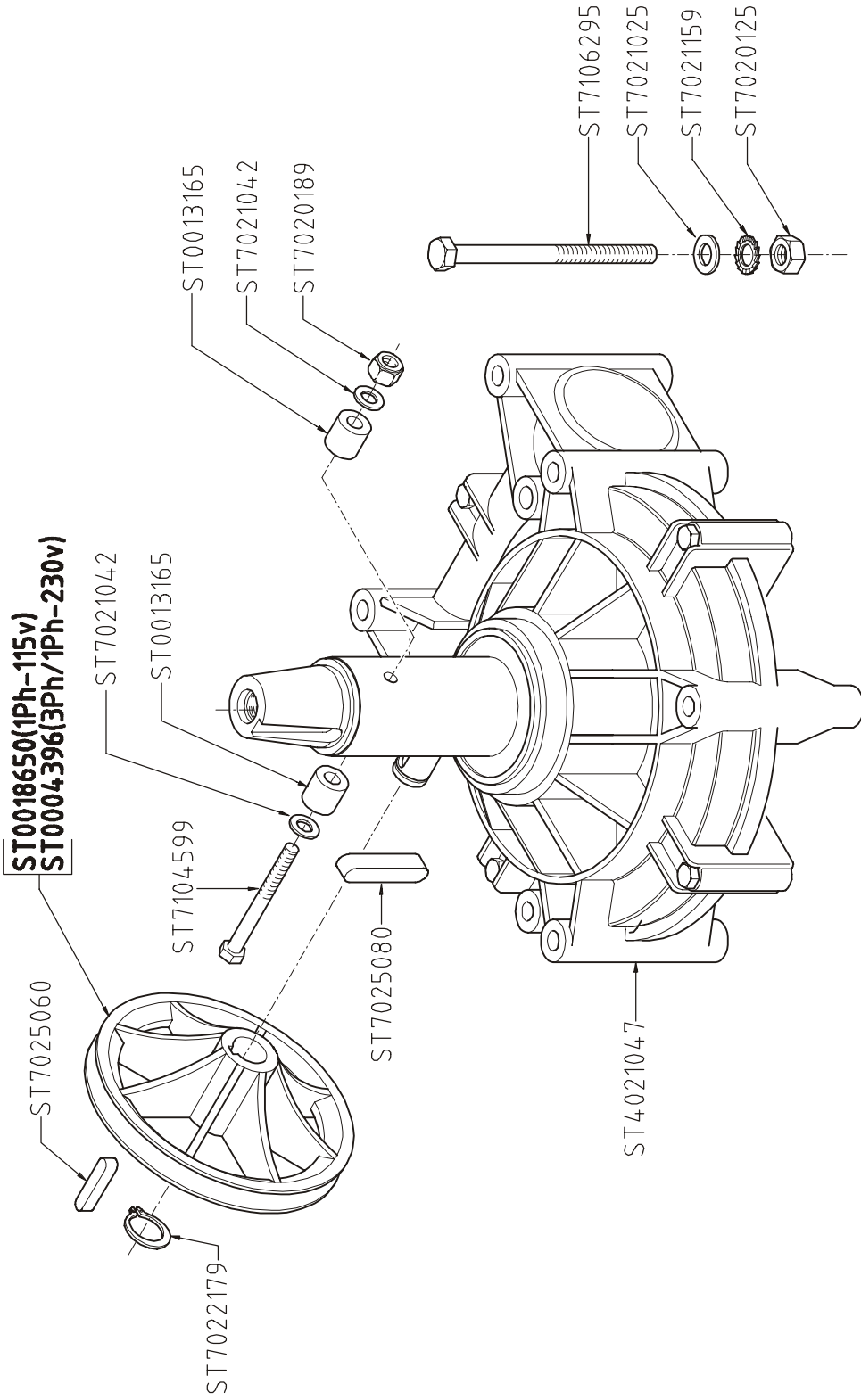
1305







944





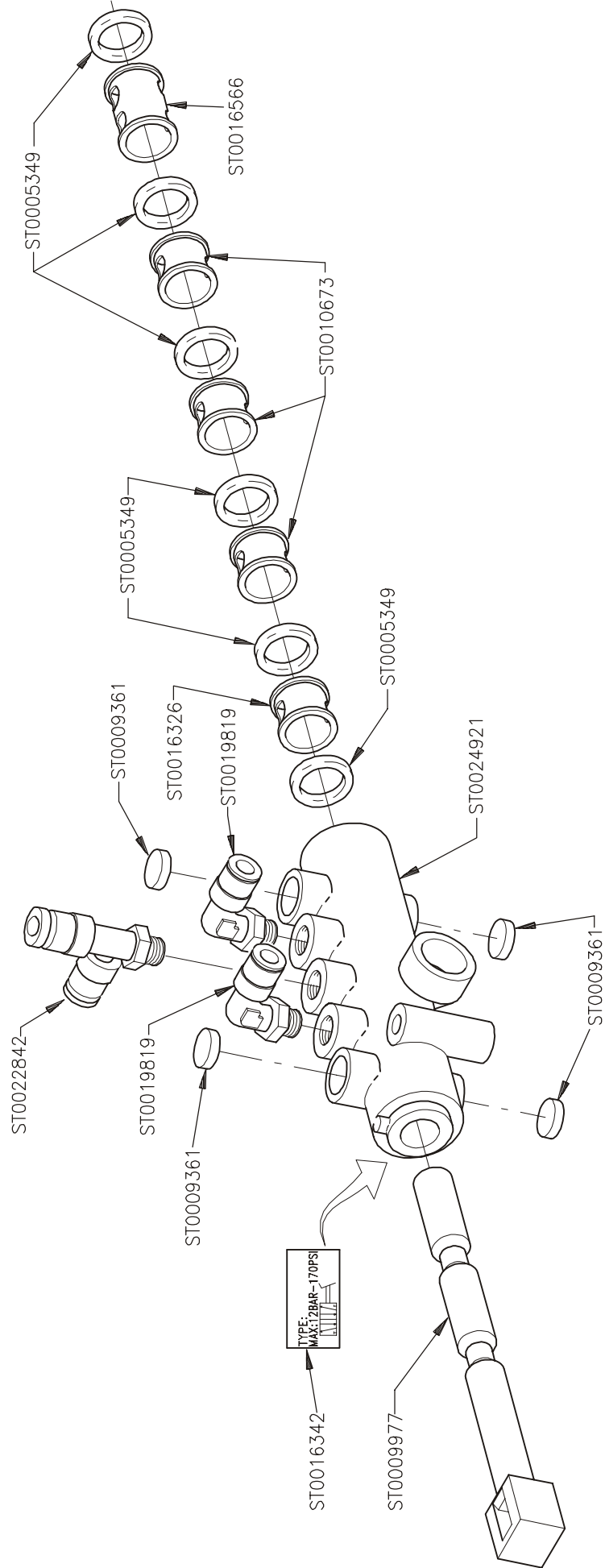


# ST4025003

09/2003

151-a-Sept-03

# 1308



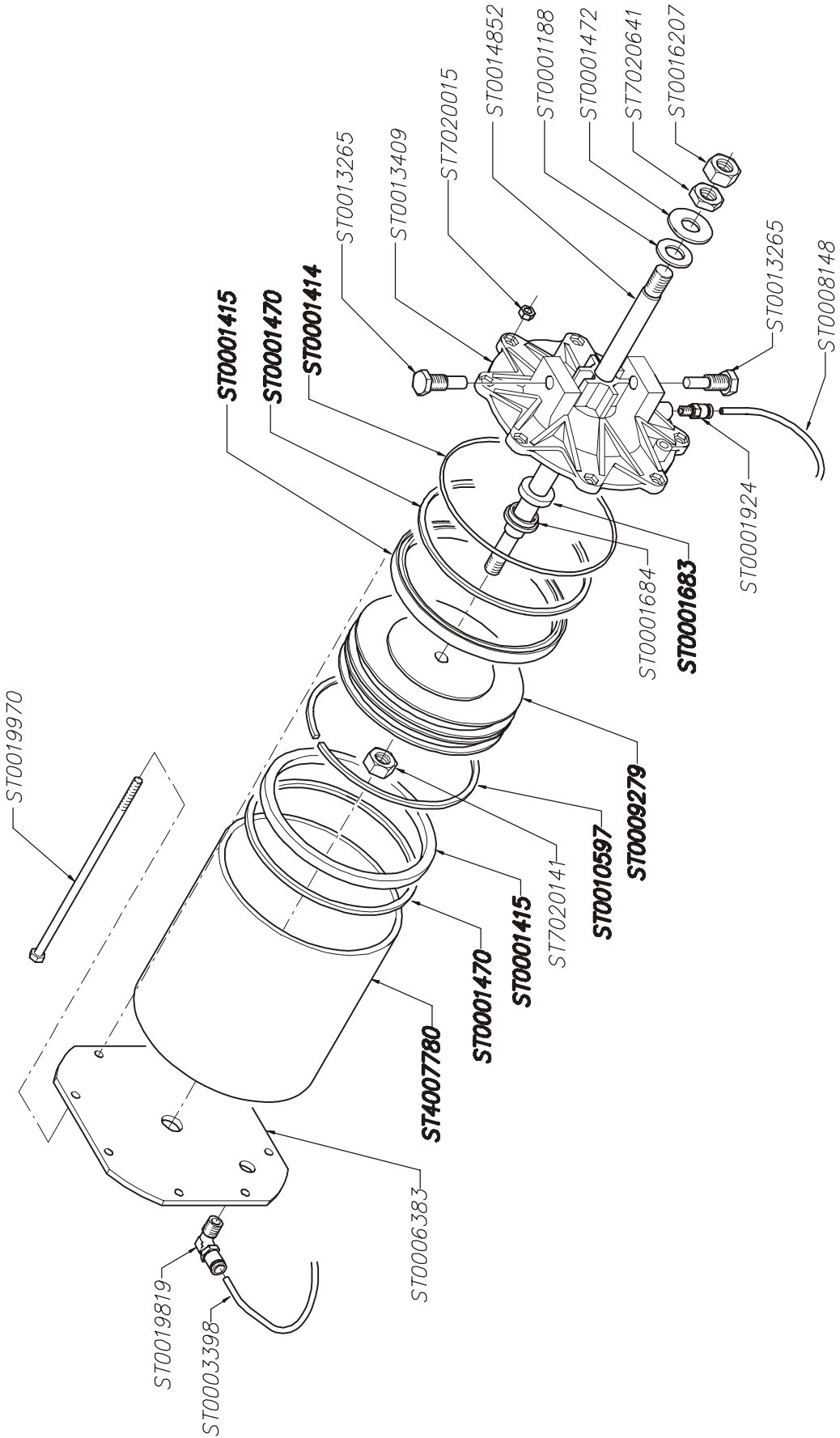


# ST4014897

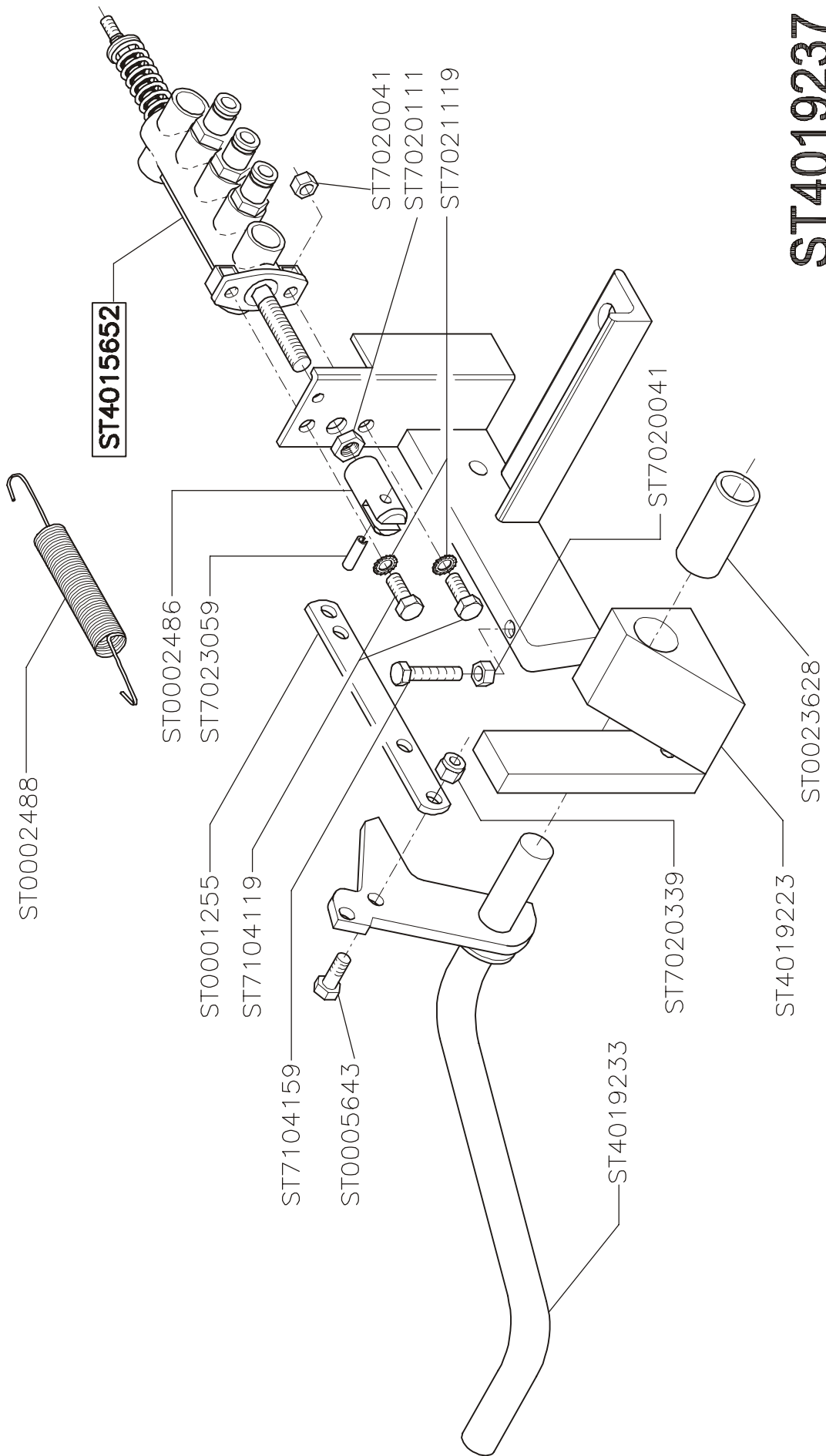
01/2001

151-ae-Sept-03

# 591



824.a



**ST4019237**

01/2001

151-a-Sept-03

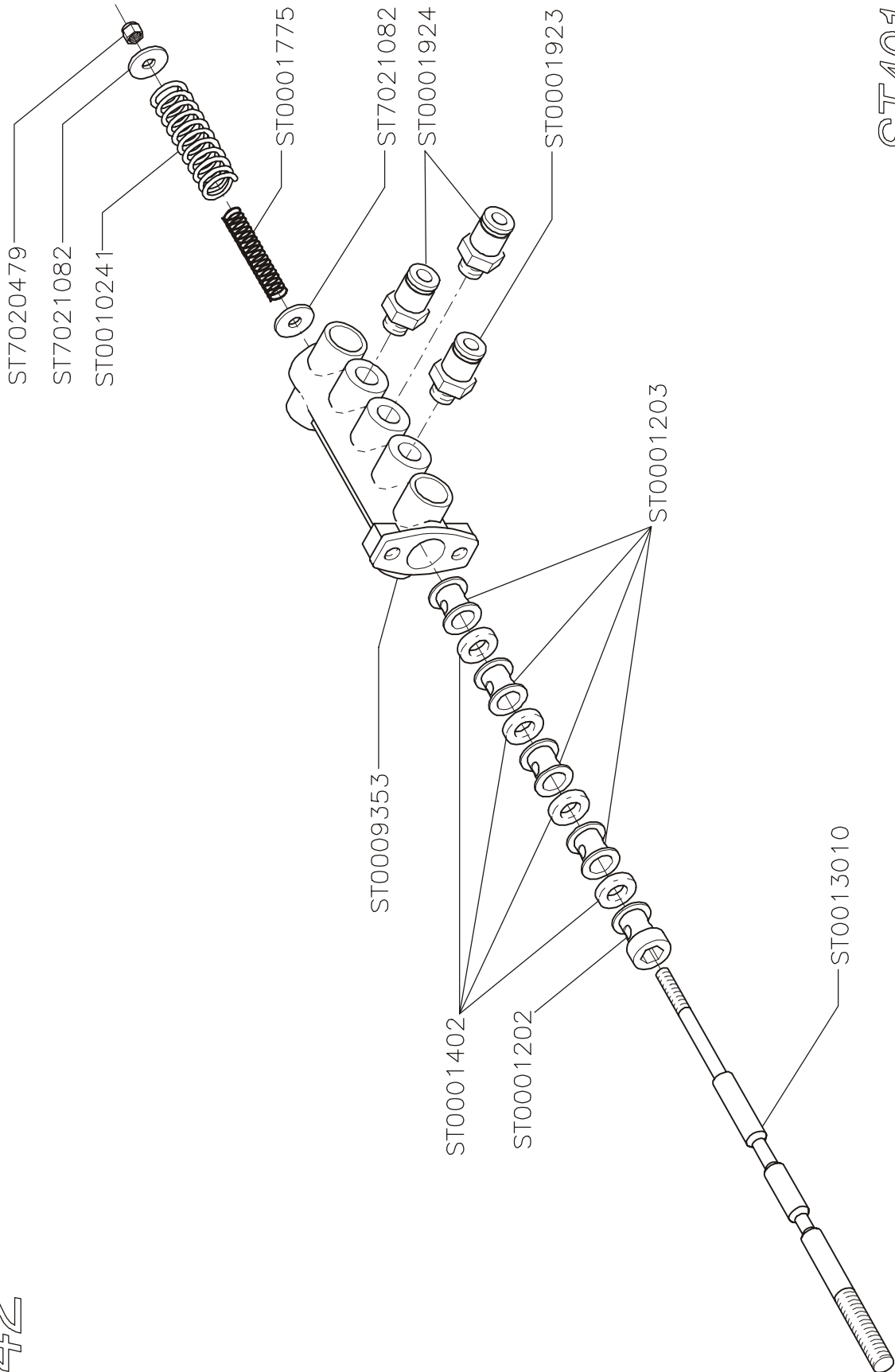


ST4015652

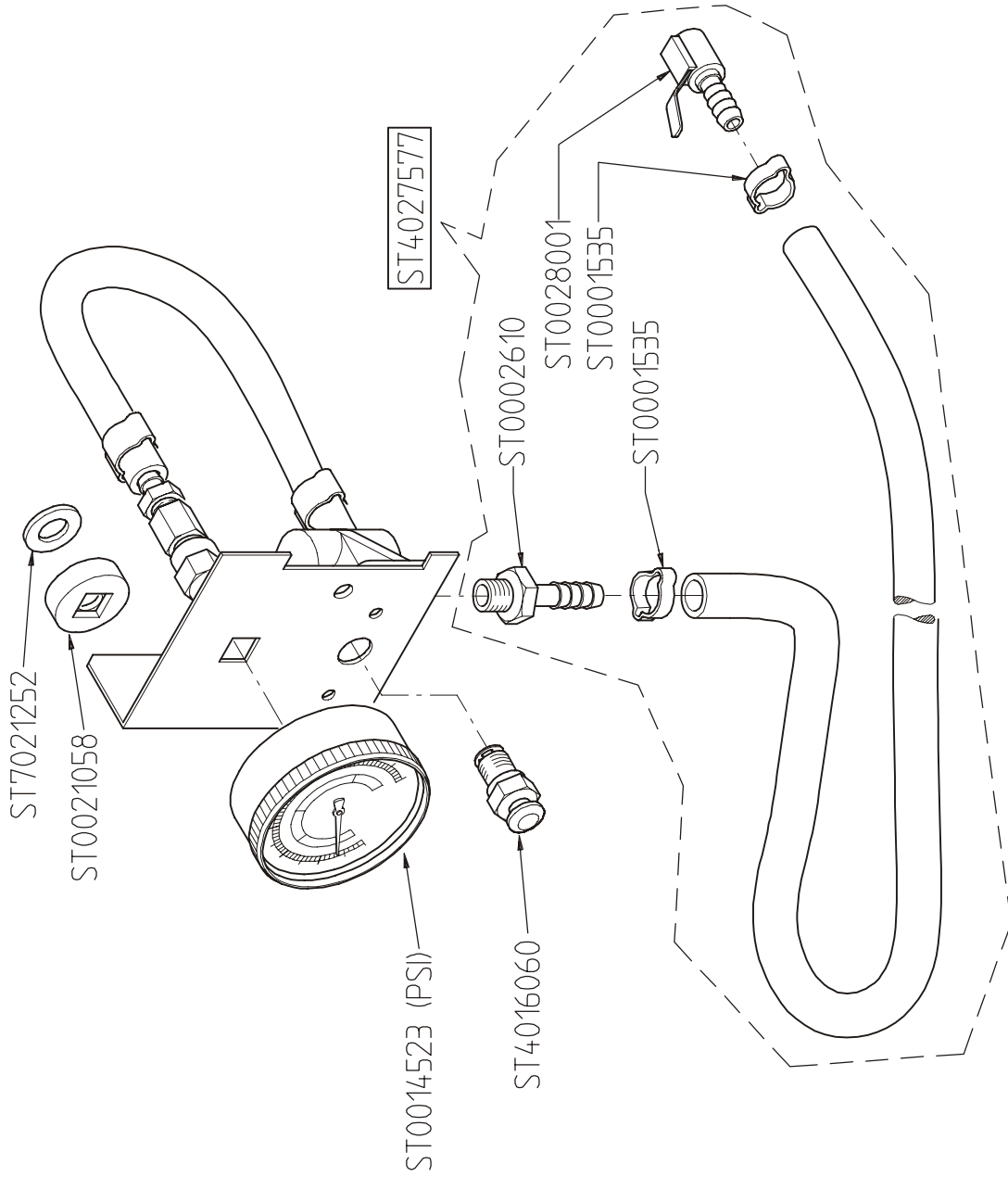
08/95

642

151-ae-SemE-03



1310



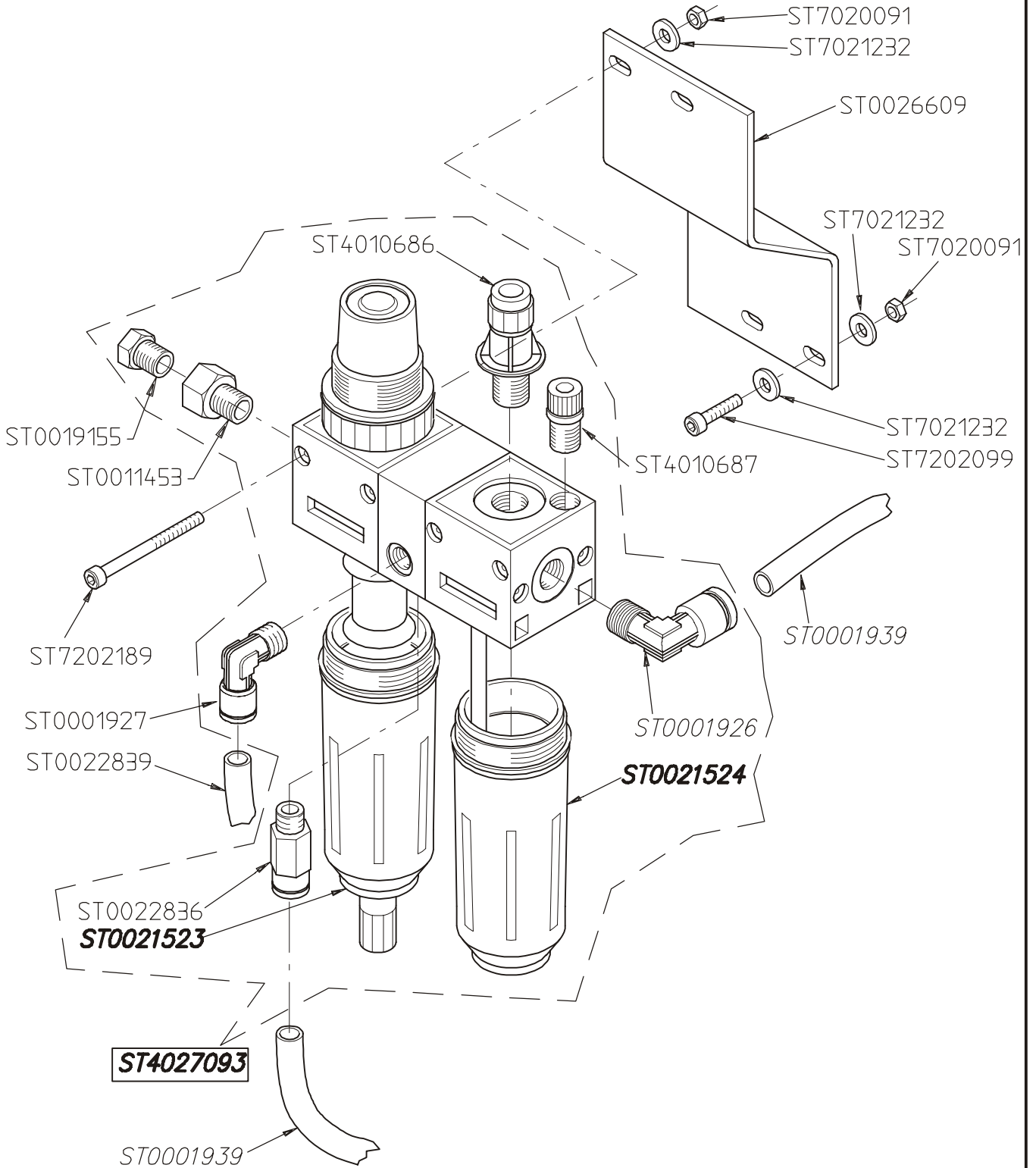
**ST4027576**

09/2003

131-a-Sept03

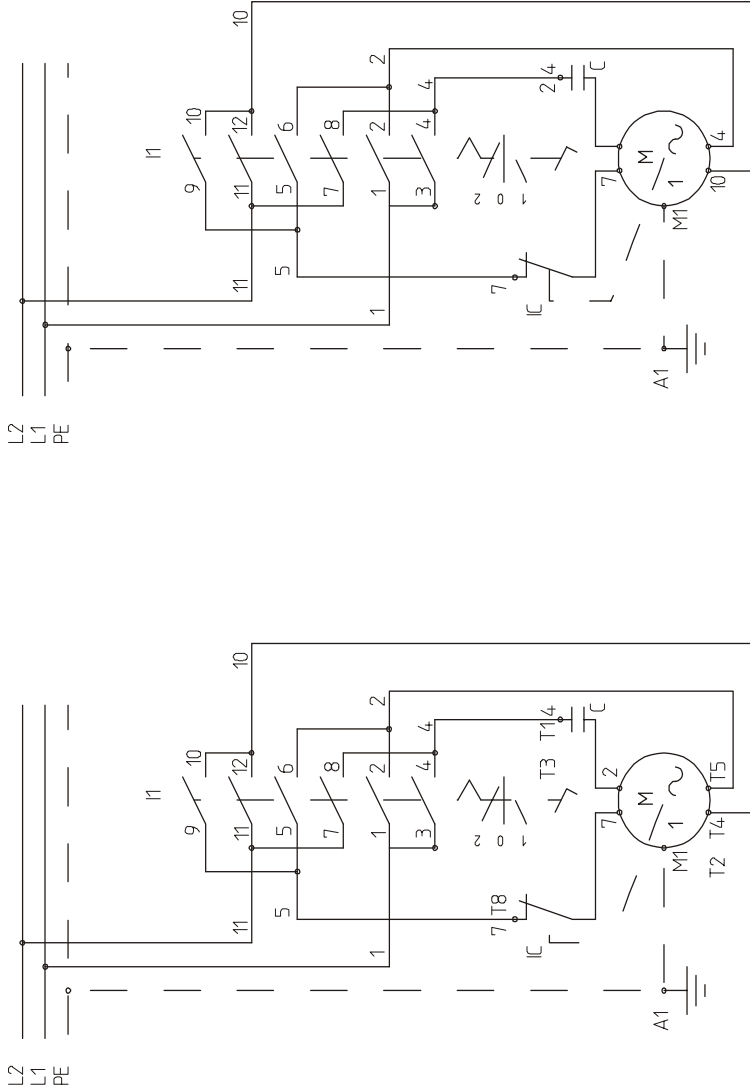
# 1152.a

151-ae-SmmE03



*(BLANK PAGE)*

151-aa-Smp1-03



3	9-10										
2	11-12										
1	5-6										
	7-8										
	1-2										
	3-4										
										1	0
											2

SCHEMA COLLEGAMENTO INVERTITORE  
 SCHEMA DE CONNECTION DE L'INVERSEUR  
 INVERTER CONNECTION DIAGRAM  
 WENDEGE TRIEBE ANSCHLUSSPLAN

MOTORE LEESON  
 MOTEUR LEESON  
 MOTOR LEESON  
 MOTOR LEESON

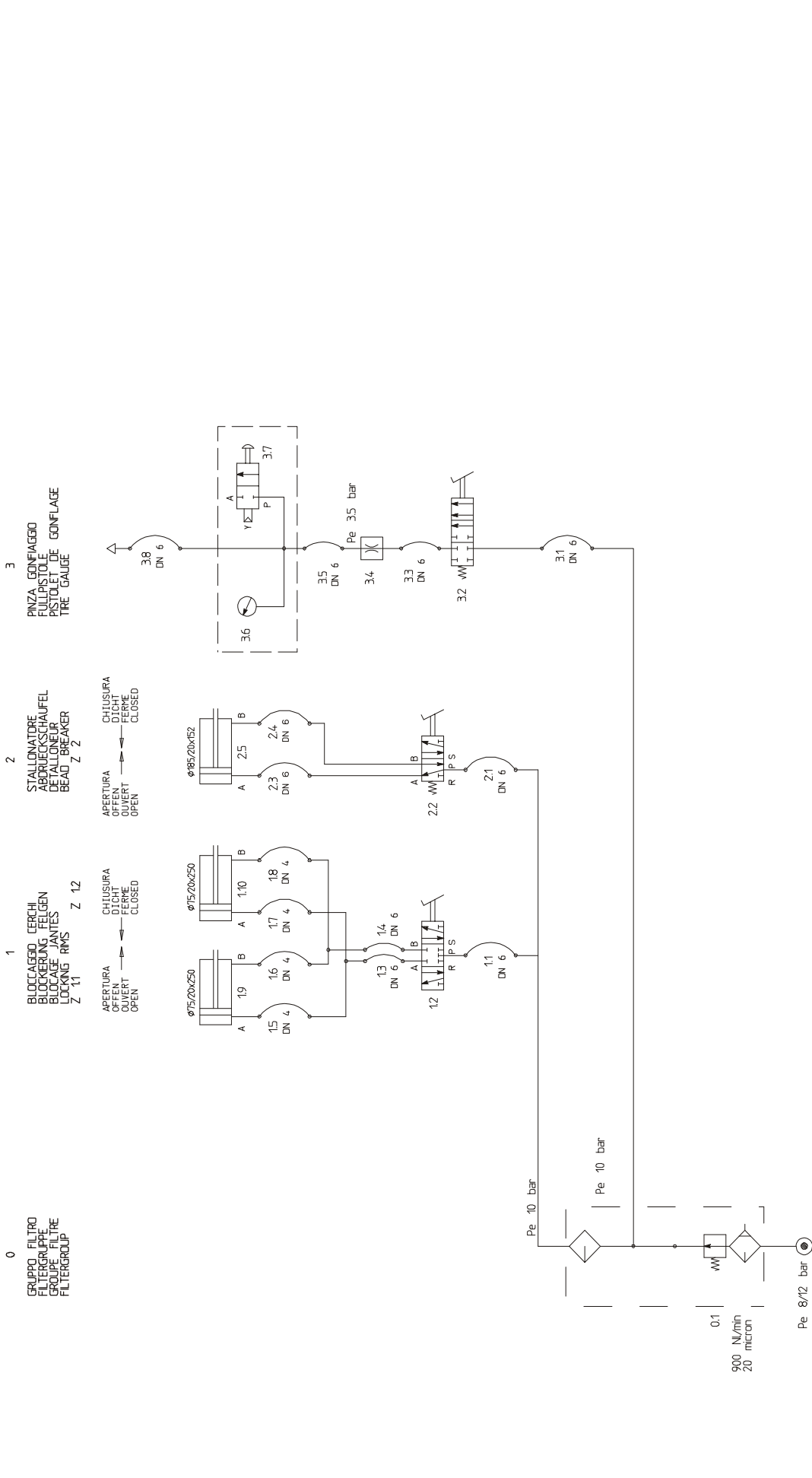
MOTORE AO SMITH  
 MOTEUR AO SMITH  
 MOTOR AO SMITH  
 MOTOR AO SMITH

T ALLACCIAMENTO MORSETTIERA MOTORE  
 T CONNECTION DES ETALUX DU MOTEUR  
 T MOTOR TERMINAL BOARD CONNECTION  
 T MOTOR - KLEMMENBRETT ANSCHLUSS  
 C CONDENSATORE CONDENSATEUR  
 IC INT. CENTRIFUGO INT. CENTRIFUGE  
 I1 INVERTITORE INVERSEUR  
 M1 MOTORE MOTEUR  
 A1 CARCASSA CHASSIS

KONDENSATOR  
 SCHLEUDERSCHALTER  
 WENDESCHALTER  
 MOTOR  
 GEHAELUSE

MATERIALE	STATO MATERIALE	DIMENSIONI	TRATTAMENTI	HRC
TOLLERANZE QUOTE LIBERE JS 14 - js 14	SWISSI E MAGGI PROGETTISTA	DISEGNATORE FUSARI		HB Sh
ORIGINE:	VISTO DIR. TECNICO:	DATA 1999-05-13	SOSTITUISCE IL N. DEL 02-11-92	0014449
	QUOTATI: 0.5 mm	SCALA	SOSTITUITO DAL N.	REV.
	FAMIGLIA 824	DESCRIPTION	COD. SNAP-ON	
	PROGETTO 3400	DENOMINAZIONE SCHEMA ELETTRICO MOTORE MONDIFASE AMERICANO	DIS. N.	0014449

MODIFICA: 1 AGGIORNATO SCHEMA / 13-05-99 / FL  
 21 AGGIUNTO SCHEMA PER MOTORE LEESON / 2001-03-12 / PRATZOLU



GRUPPO FILTERGRUPE GROUPE GROUP	PAGINA BLATT PAGE PAGE	CLIENTE BESTELLER CLIENT CUSTOMER	FIRMA GEZ. SIGNATURE ZANNI A.	COSTRUITO IN FABRIKAT IN MADE ITALY	N° . PAGINE V. . BLATT PAGES N° . DE PAGE
GRUPPO GRUPE GROUPE GROUP	PAGINA BLATT PAGE PAGE	CLIENTE BESTELLER CLIENT CUSTOMER	FIRMA GEZ. SIGNATURE ZANNI A.	COSTRUITO IN FABRIKAT IN MADE ITALY	N° . PAGINE V. . BLATT PAGES N° . DE PAGE
CODICE N° . CODE N° . FAMIGLIA 824	CODICE N° . CODE N° . FAMIGLIA 824	N° . ORDINE COMMANDE N° . P. D. NUMBER	DATA DATUM DATE 2002-11-06	TIPO TYP MODELE MODEL 1520 M	N° . ORDINE COMMANDE N° . P. D. NUMBER
MODIFICA AENDERUNG MODIFICATION CHANGE	CODICE MACCHINA INVENTAR N° . MACHINE REF. CODE MACHINE	N° . ORDINE COMMANDE N° . P. D. NUMBER	DATA DATUM DATE	TIPO TYP MODELE MODEL 1520 M	N° . ORDINE COMMANDE N° . P. D. NUMBER
Nr.	CODICE MACCHINA INVENTAR N° . MACHINE REF. CODE MACHINE	N° . ORDINE COMMANDE N° . P. D. NUMBER	DATA DATUM DATE	TIPO TYP MODELE MODEL 1520 M	N° . ORDINE COMMANDE N° . P. D. NUMBER





Snap-on Incorporated  
2801 80th Street  
Kenosha, WI 53141 - 1410

For Service Call:  
1-800-225-5786

**Notice:** The information contained in this document is subject to change without notice. Snap-on Incorporated makes no warranty with regard to this material. Snap-on Incorporated shall not be liable for errors contained herein or for incidental consequential damages in connection with furnishings, performance, or use of this material.

This document contains proprietary information which is protected by copyright and patents. All rights are reserved. No part of this document may be photocopied, reproduced, or translated without prior written consent of Snap-on Incorporated.

***Snap-on*** is a registered trademark of Snap-on Incorporated