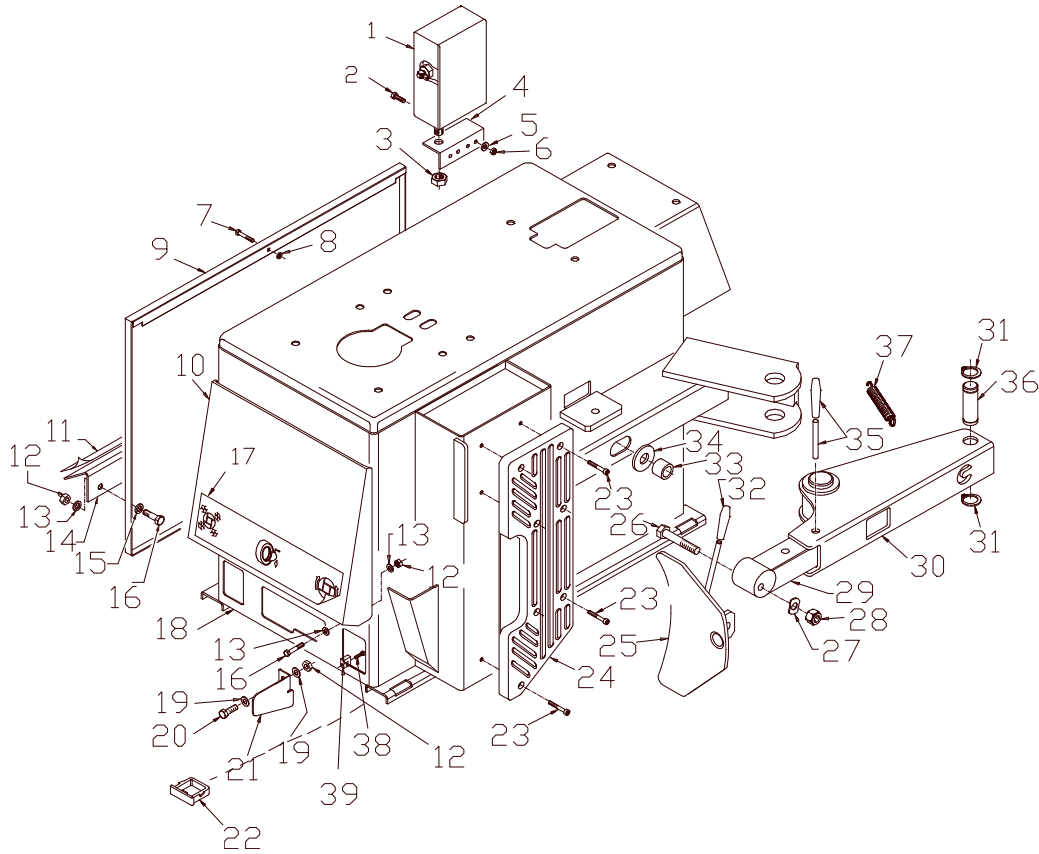


Snap-on

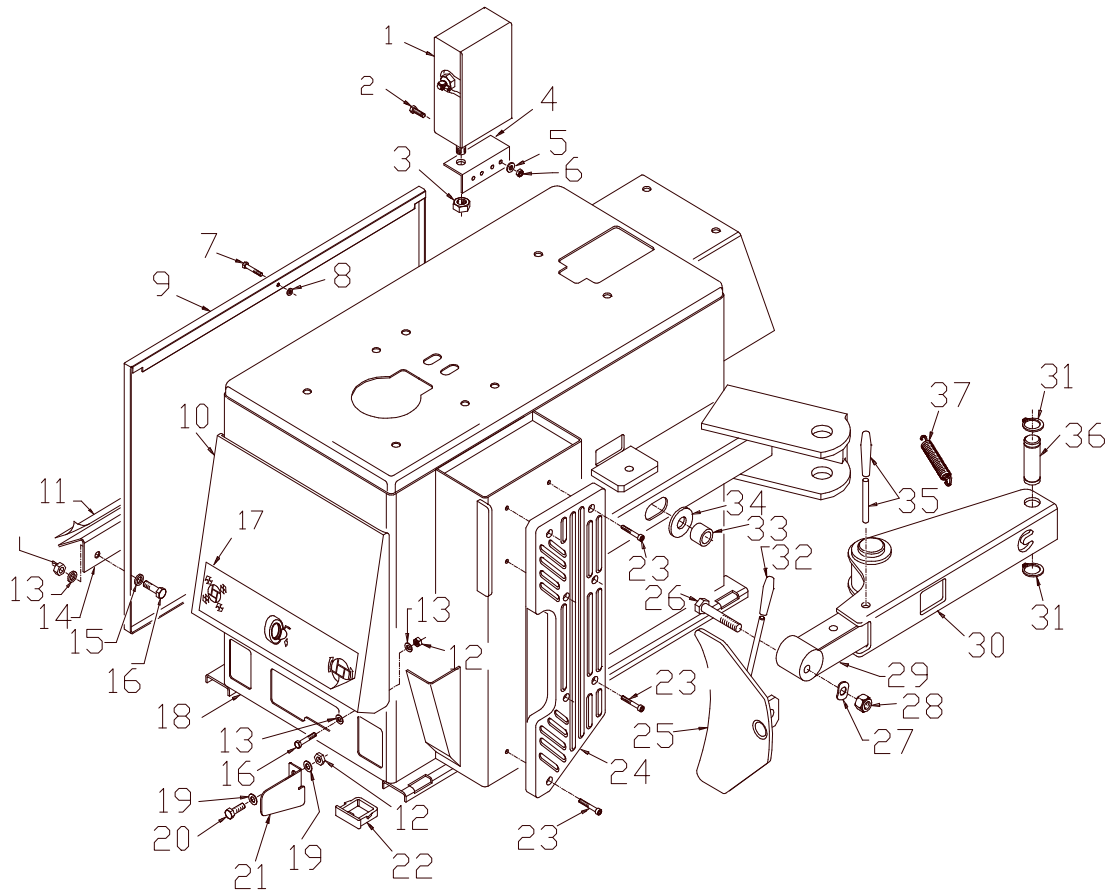


EEWH302A / 303A / 304A / 305A
PARTS REFERENCE



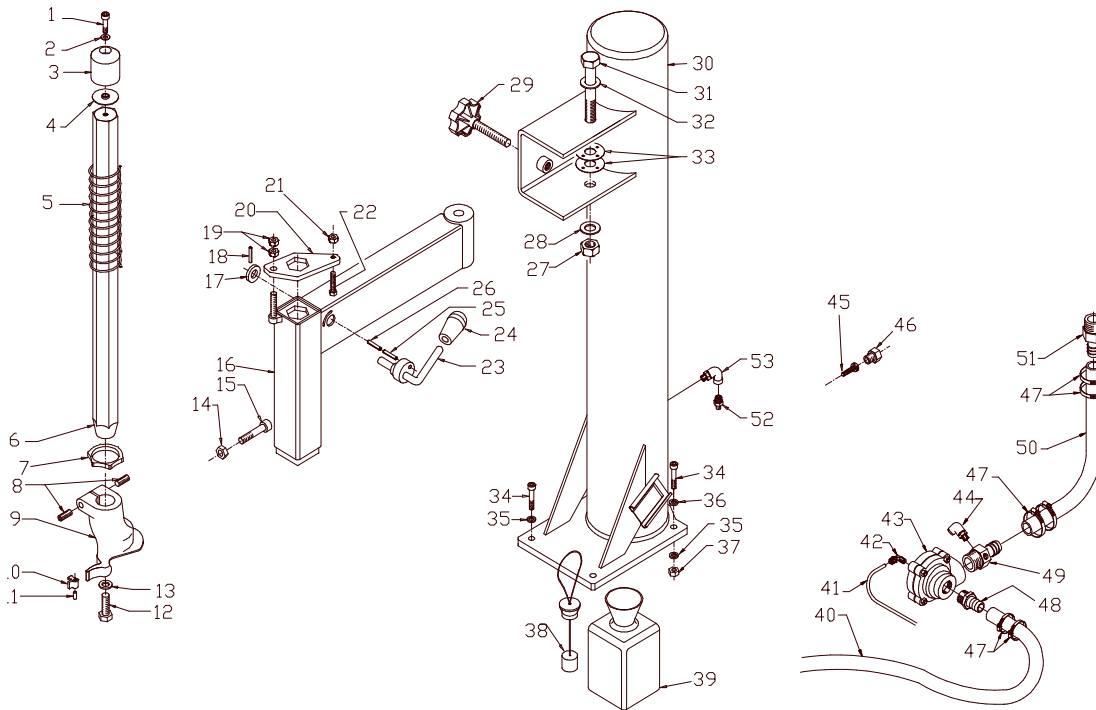
EEWH302A / 303A Base Assembly

Item	Description	Part Number	Item	Description	Part Number
1	Pressure Limiter Valve	ST4022926	21	Protection, Pedal - Rev.	ST0023547
2	Screw TCI 4X16	ST7202099	22	Foot, Square	ST0002801
3	Nut - M14	ST7020321	23	Screw, TCEI 6X20	ST7204019
4	Bracket-Valve Inflator	ST0020636	24	Pad, Spt-Bd Breaker	ST0020101
5	Washer, D4	ST7021232	25	Blade, Bd. Breaker	ST4021305
6	Nut - M4	ST7020091	26	Screw, TE 14X100	ST7108069
7	Screw TE - 6X20	ST7104055	27	Washer, M14	ST7021329
8	Washer, lock	ST7021119	28	Nut, S-Lock	ST7020409
9	Side Panel	ST4016399	29	Extension, Arm - BKR	ST4022408
10	Protection, Pedals	ST4022282	30	Support Arm	ST4024029
11	Sticker - Inflator	ST0022669	31	Ring, Snap	ST7022049
12	Nut - M8	ST7020015	32	Lever Handle	ST0024030
13	Washer, D8	ST7021015	33	Washer-Sh. Absorber	ST0007564
14	Protector, Pedal	ST0011227	34	Washer-Bd. Breaker	ST0014636
15	Washer, D8X24	ST7021102	35	Pin Register	ST4022409
16	Screw, 8X16	ST7105019	36	Pin-Bd. Breaker	ST0013234
17	Sticker, Pedals	ST0022672	37	Spring, Recall - Arm	ST0001229
18	Cabinet	ST4017402	38	Screw TCEI	ST7202129
19	Washer d.8	ST7021011	39	Retainer, Pedal	ST0024150
20	Screw, TE 8X20	ST7105109			



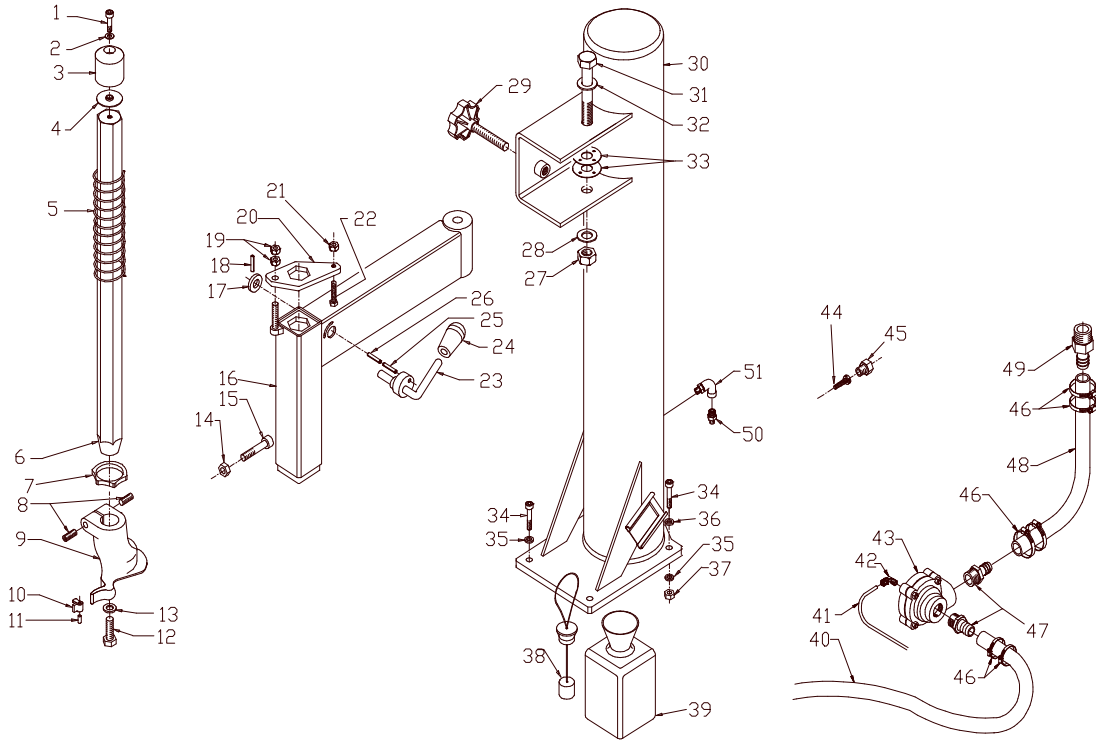
EEWH304A / 305A BASE ASSEMBLY

Item	Description	Part Number	Item	Description	Part Number
1	Pressure Limiter	ST4022926	20	Screw, TE 8X20	ST7105109
2	Screw TCI 4X16	ST7202099	21	Protection, Pedal-Rev.	ST0023547
3	Nut - M14	ST7020321	22	Foot, Square	ST0002801
4	Bracket-Valve Inflator	ST0020636	23	Screw, TCEI 6X20	ST7204019
5	Washer, D4	ST7021232	24	Pad, Spt-Bd Breaker	ST0020101
6	Nut - M4	ST7020091	25	Blade, Bd. Breaker	ST4021305
7	Screw TE - 6X20	ST7104055	26	Screw, TE 14X100	ST7108069
8	Washer, lock	ST7021119	27	Washer, M14	ST7021329
9	Side Panel	ST4016399	28	Nut, S-Lock	ST7020409
10	Protection, Pedals	ST4022282	29	Extension, Arm - BKR	ST4022408
11	Sticker - Inflator	ST0022669	30	Support - Arm, BBK	ST4024029
12	Nut - M8	ST7020015	31	Ring, Snap	ST7022049
13	Washer, D8	ST7021015	32	Handle, lever	ST0024030
14	Protector, Pedal	ST0011227	33	Washer-Sh. Absorber	ST0007564
15	Washer, D8X24	ST7021102	34	Washer-Bd. Breaker	ST0014636
16	Screw, 8X16	ST7105019	35	Register, pin	ST4022409
17	Sticker, Pedals	ST0022672	36	Pin-Bd. Breaker	ST0013234
18	Cabinet	ST4017402	37	Spring, Recall - Arm	ST0001229
19	Washer d.8	ST7021011			



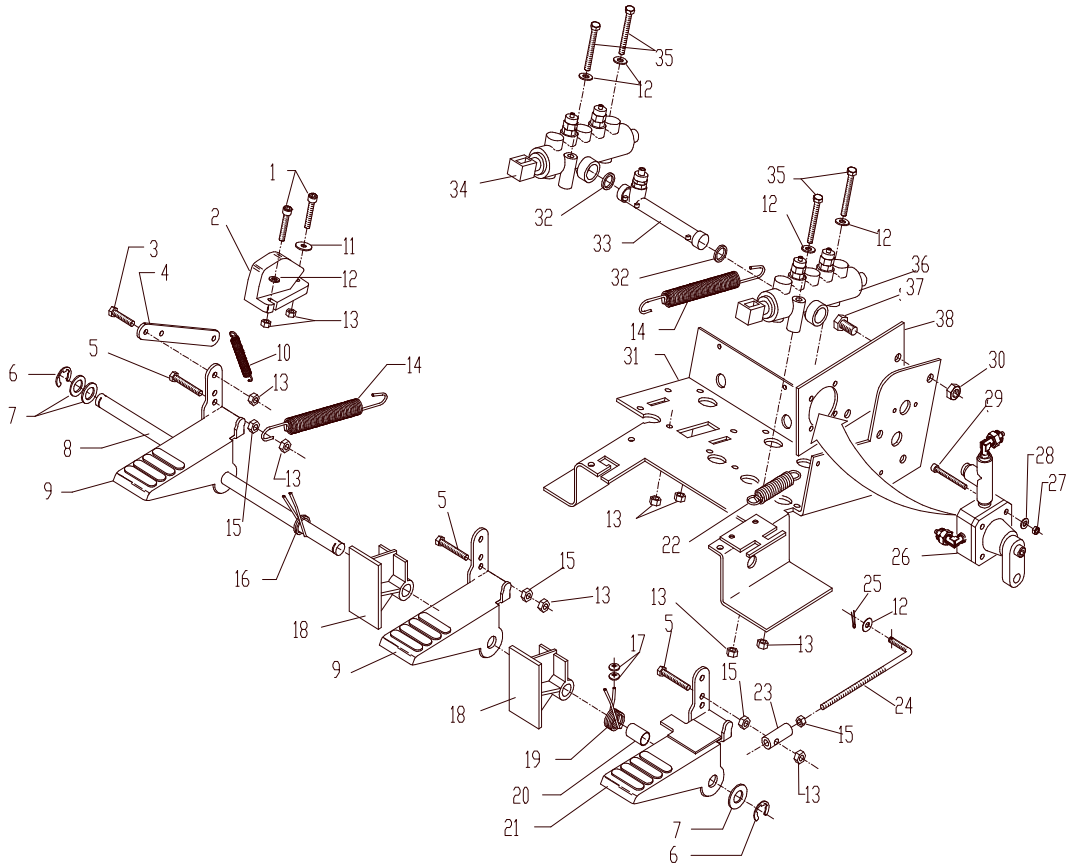
EEWH302A / 303A Tower Assembly

Item	Description	Part Number	Item	Description	Part Number
1	Screw, TCEI 8X16	ST7205059	27	Nut - M20	ST7020521
2	Washer, D8	ST7021015	28	Washer, D.20	ST7021242
3	Cover, spring	ST0024036	29	Screw Adjustment, Arm	ST0009608
4	Washer, Lock	ST0017746	30	Column, Swing	ST4024073
5	Spring,recall-vertical	ST0024035	31	Screw, Arm Support	ST0016256
6	Rod Vertical	ST0019327	32	Washer, D.20	ST7021242
7	Seal, "O" Ring	ST0012053	33	Washer, Adjustment	ST0009607
8	Screw, STEI - 10X20	ST7706429	34	Screw, TCEI 10X40	ST7206225
9	Tool	ST0020957	35	Washer, Stop - D.10	ST7021159
10	Insert, Plastic	ST0011064	36	Washer D. 10	ST7021025
11	Clip d. 4X22	ST7040080	37	Nut, M10	ST7020125
*	Item 8 thru 11	ST4020956	38	Swab - Lube	ST4014529
12	Screw, Hex 10X20	ST7106069	39	Bottle - Lube	ST0014466
13	Washer, Fitting - Tool	ST0006200	40	Hose, Air	ST0014121
14	Nut M85s	ST7020039	41	Hose, Air 4X6	ST0010618
15	Screw	ST7805679	42	Fitting, 90deg. 4X6	ST0001384
16	Arm, Swing	ST4019332	43	Valve - Air Control	ST0013155
17	Washer, D.14	ST7021252	44	Fitting 6X8	ST0019819
18	Pin-Split 4X26	ST7023079	45	Filter	ST0015927
19	Nut, M10	ST7020341	46	Fitting MF	ST0024148
20	Handle, Locking	ST0024043	47	Clip	ST0003446
21	Nut, Hex - M8	ST7020111	48	Fitting, Support M1"-20	ST0013157
22	Screw, Adjustment - Rod	ST0001287	49	Fitting, Rubber Holder 1"	ST0015658
23	Lever, Register	ST4011052	50	Hose, High Pressure	ST0015657
24	Handle, Lever	ST0024030	51	Fitting, Rub.Bear.M3/4	ST0015784
25	Split Pin 5X26	ST7023229	52	Valve, Pressure Relief 1/4	ST0005803
26	Roll Pin - 3X27	ST0015151	53	Fitting 90deg.	ST0004664



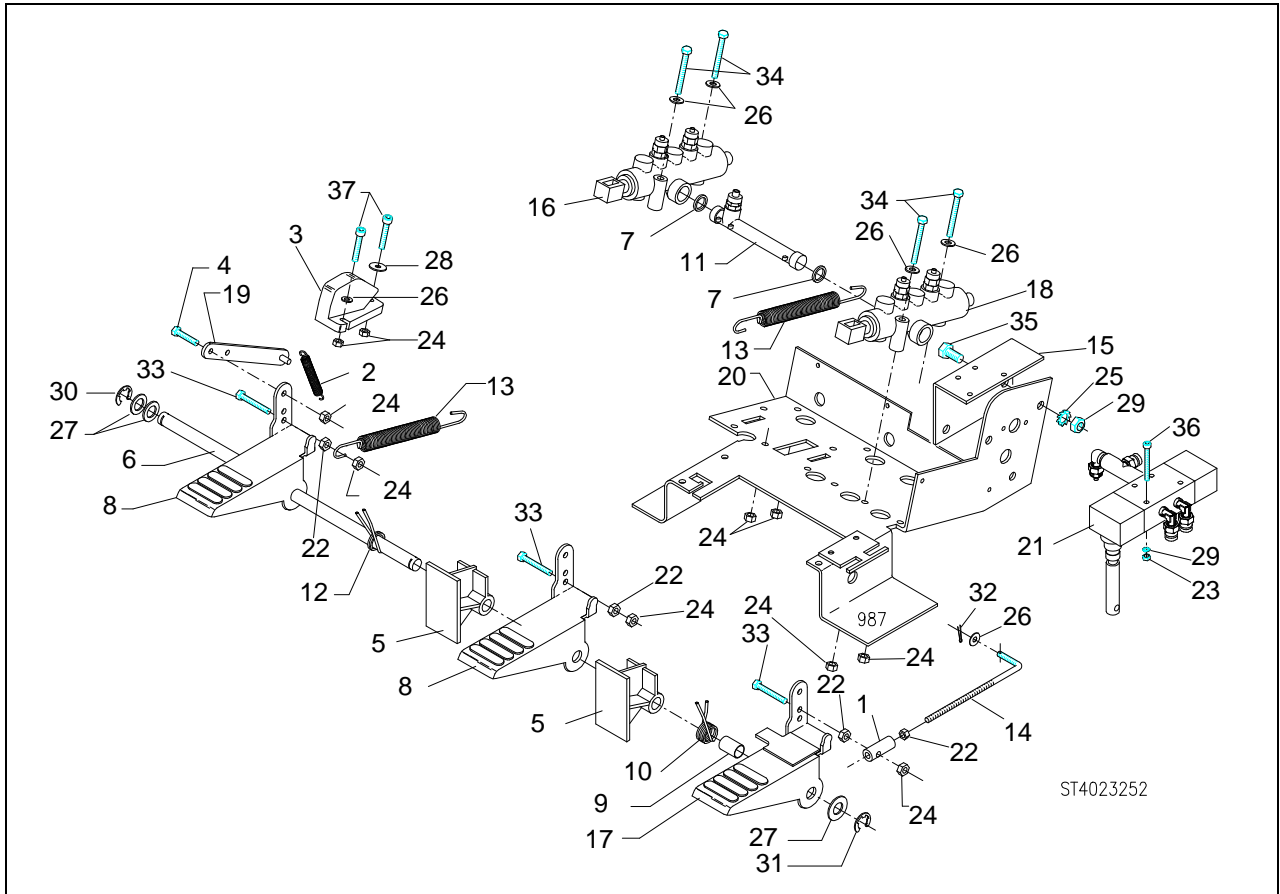
EEWH304A / 305A Tower Assembly

Item	Description	Part Number	Item	Description	Part Number
1	Screw, TCEI 8X16	ST7205059	26	Roll, 3X27	ST0015151
2	Washer, D.8	ST7021015	27	Nut, M20	ST7020521
3	Cover, Spring	ST0024036	28	Washer, D.20	ST7021242
4	Washer, Locking – D.6	ST0017746	29	Screw, Adjustment – Arm	ST0009608
5	Spring, recall - vertical	ST0024035	30	Column, swing	ST4024073
6	Rod, Vertical	ST0019327	31	Screw, Arm Support	ST0016256
7	Seal, "O" Ring	ST0012053	32	Washer, D.20	ST7021242
8	Screw, STEI 10X20	ST7706429	33	Washer – Adjustment	ST0009607
9	Tool	ST0020957	34	Screw TCEI 10X40	ST7206225
10	Insert, Plastic-Head	ST0011064	35	Washer, Stop – D.10	ST7021159
11	Clip, D. 4X22	ST7040080	36	Washer – D.10	ST7021025
*	Item 8 thru 11	ST4020956	37	Nut, M10	ST7020125
12	Screw, Hex 10X20	ST7106069	38	Swab, Lube	ST4014529
13	Washer, Fitting – Tool	ST0006200	39	Bottle, Lube	ST0014466
14	Nut, S. Lock	ST7020039	40	Hose, Air	ST0014121
15	Screw TBEI	ST7805679	41	Hose, Air 4X6	ST0010618
16	Arm, swing	ST4019332	42	Fitting, 90deg, 4X6	ST0001384
17	Washer, D.14	ST7021252	43	Valve, Air Controlled	ST0013155
18	Pin, Split 4X26	ST7023079	44	Filter	ST0015927
19	Nut, M10	ST7020341	45	Fitting, MF	ST0024148
20	Handle, Locking	ST0024043	46	Clip	ST0003446
21	Nut, Hex - M8	ST7020111	47	Fitting, Support – M1"-20	ST0013157
22	Screw, Adjustment – Rod	ST0001287	48	Hose, High Pressure	ST0015657
23	Lever, Register	ST4011052	49	Fitting – Rub. Bear – ¾	ST0015784
24	Handle, Lever	ST0024030	50	Valve, Pressure Release – ¼	ST0005803
25	Pin, Split 5X26	ST7023229	51	Fitting, L	ST0004664



EEWH302A / 303A Foot Pedal Assembly

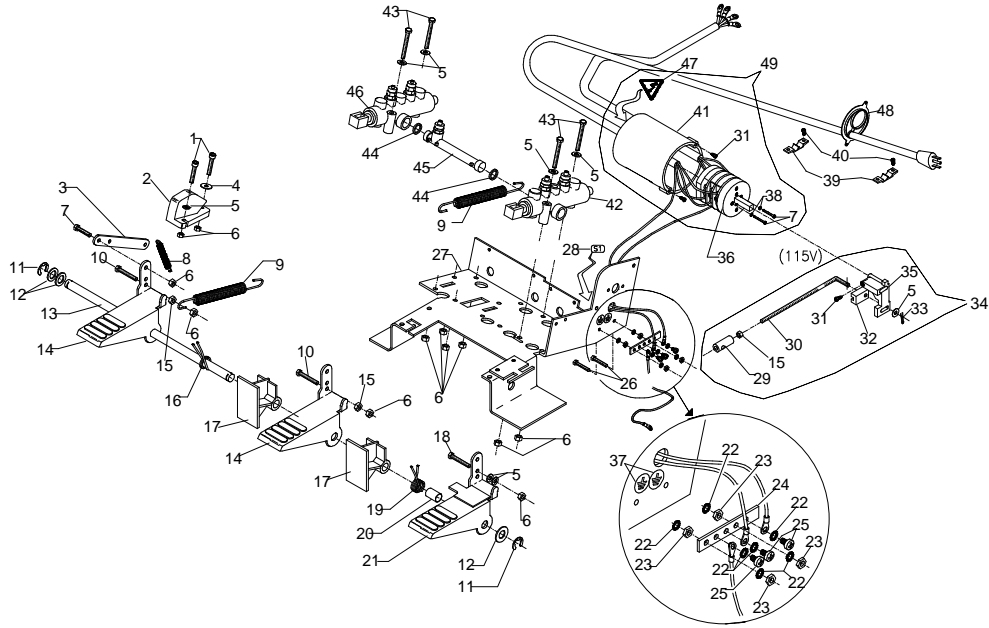
Item	Description	Part Number	Item	Description	Part Number
1	SCREW TCEI 6X20 8G	ST7204019	20	BUSHING,CNTRNG-SPRING	ST0016102
2	CAM-PEDAL	ST0005626	21	PEDAL-FOOT, MOTOR	ST4016330
3	SCREW TC 3X10	ST7301022	22	SPRING- TENSION	ST0000431
4	ARM-DETENT	ST4005635	23	PIN, ADJUSTMENT- ROD	ST0001256
5	SCREW TE 6X30 8G	ST7104049	24	SHAFT, REG-REVERSE	ST0023208
6	RING-SNAP d.10	ST7022039	25	PIN-SPLIT 2X15	ST7024022
7	WASHER -PISTON d.12	ST7021072	26	VALVE, MOTOR- PNEU	ST4023221
8	SHAFT-HINGE, PEDAL	ST0005731	27	NUT - M4 6S	ST7020091
9	PEDAL	ST0009587	28	Washer	ST7021232
10	SPRING-MOVEMENT, CLAMP	ST0002349	29	SCREW TCEI 4X40 8G	ST7202109
11	WASHER - d.6X18	ST7021182	30	Nut	ST7020015
12	WASHER d.6	ST7021042	31	SUPPORT- ASSY PEDAL- RT	ST4016513
13	NUT - S.LOCK,LOW- M6	ST7020339	32	SEAL-OR	ST0004751
14	SPRING, RECALL PEDALS	ST0016984	33	HOSE CONNECTION, AIR	ST0016329
15	NUT-HEX. M6 6S	ST7020041	34	VALVE, TURNTABLE	ST4009611
16	SPRING, BLOCKAGE-PIN	ST0016573	35	SCREW TE 6X40 8G	ST7104289
17	WASHER, LOCK - PIN 3.5 mm	ST7052050	36	VALVE, BEAD-BREAKER	ST4017159
18	SPACER-PEDAL	ST0005654	37	SCREW 8X16 8G	ST7105019
19	SPRING, PEDAL SWITCH	ST0016103	38	PLATE, SUPPORT, VALVE	ST0023209



ST4023252

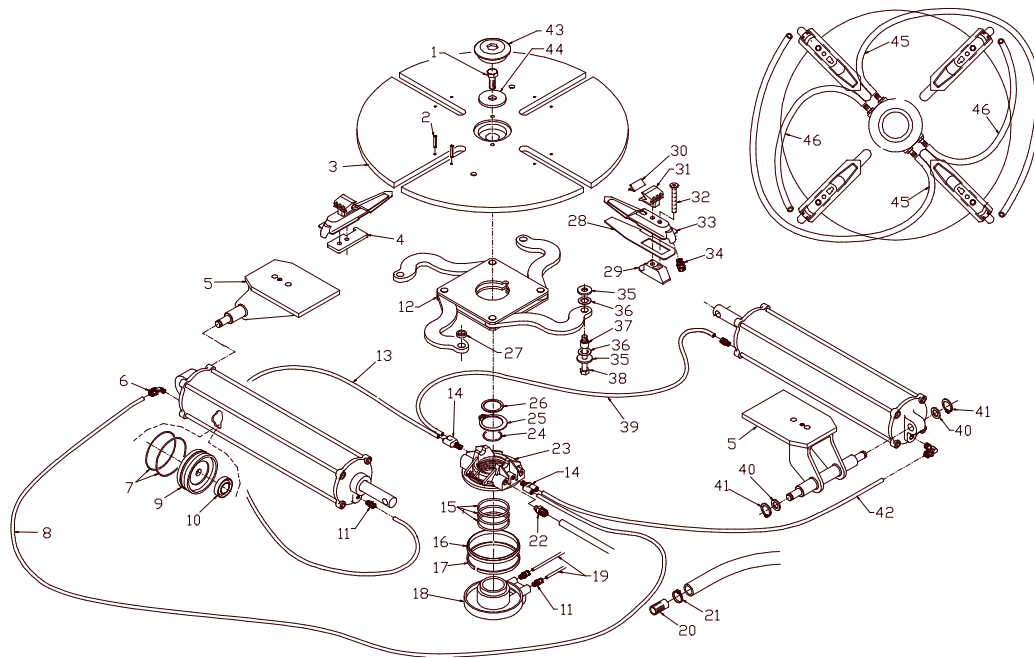
VERSION II AIR PEDAL ASSEMBLY

Item	Description	Part Number	Item	Description	Part Number
1	pin, adjustment - rod	ST0001256	21	valve motor pneumatic	ST4025069
2	spring - movement, clamp	ST0002349	22	nut - hex. m6 6s	ST7020041
3	cam - pedal	ST0005626	23	nut - m4 6s	ST7020091
4	screw (pedal)	ST0005643	24	nut - s. lock low - m6	ST7020339
5	spacer - pedal	ST0005654	25	washer d. 8	ST7021039
6	shaft - hinge, pedal	ST0005731	26	washer d. 6	ST7021042
7	seal or	ST0008458	27	washer - piston d.12	ST7021072
8	pedal	ST0009587	28	washer - d. 6x18	ST7021182
9	bushing, centering - spring	ST0016102	29	washer - d.4	ST7021232
10	spring, pedal switch	ST0016103	30	ring - snap d10	ST7022039
11	hose connection, air	ST0016329	31	ring - snap d.10	ST7022039
12	spring, blockage - pin	ST0016573	32	pin - spit 2x15	ST7024022
13	spring, recall pedals	ST0016984	33	screw te 6x30 8g	ST7104049
14	shaft, register - reversing gear	ST0023208	34	screw te 6x40 8g	ST7104289
15	sheet metal support valve	ST0025071	35	screw 8x16 8g	ST7105019
16	valve - turntable	ST4009611	36	screw t cei 4x40 8g	ST7202109
17	pedal - foot, motor	ST4016330	37	screw t cei 6x20 8g	ST7204019
18	valve, bead - breaker	ST4017159			
19	rod, positioning - pedal	ST4019747			
20	support pedallery dx	ST4023597			



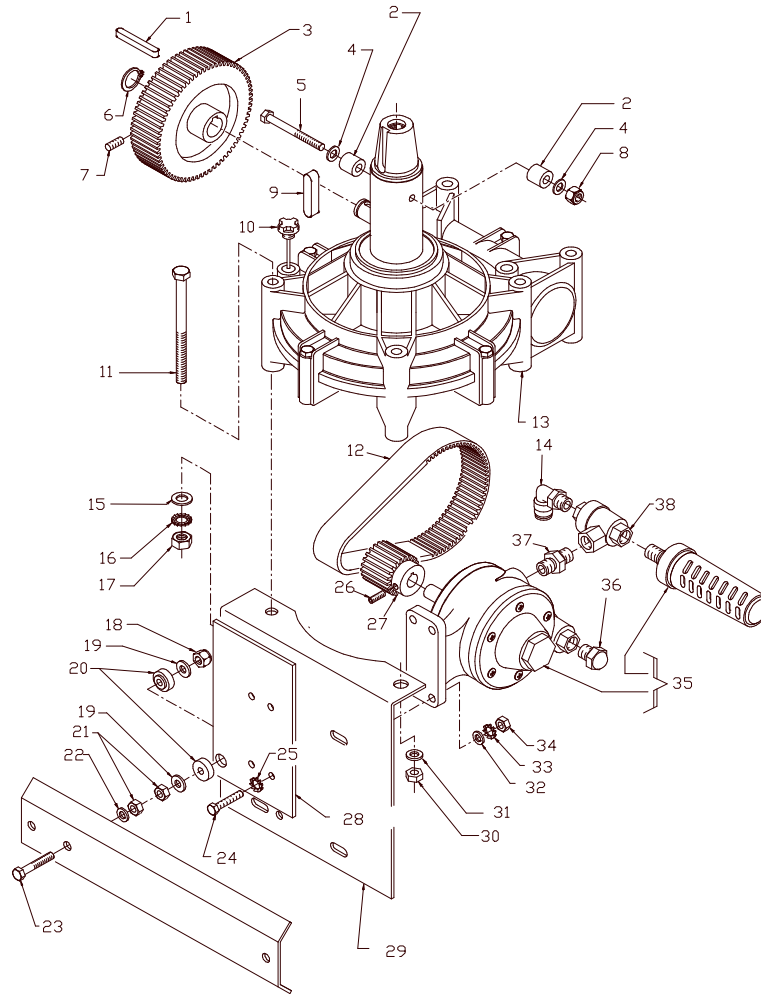
EEWH304A / 305A Foot Pedal Assembly

ITEM	DESCRIPTION	PART NUMBER	ITEM	DESCRIPTION	PART NUMBER
1	SCREW TCEI 6x20 8G	ST7204019	26	SCREW TE 4X20 BRASS UNI 5739	ST7102280
2	CAM-PEDAL	ST0005626	27	SUPPORT- ASSY PEDAL- RIGHT	ST4016513
3	ARM-DETENT	ST4005635	28	PLATE REVERSING GEAR S 1	ST0016453
4	WASHER, D 6x18	ST7021182	29	PIN, ADJUSTMENT- ROD	ST0001256
5	WASHER d.6	ST7021042	30	PIN, Control - Reversing gear	ST0016574
6	NUT - S.LOCK,LOW- M6	ST7020339	31	Screw Self thread. 10EX16 TE	ST7117031
7	SCREW TC 3X10	ST7301022	32	WASHER-GUIDE, ROD	ST0001727
8	SPRING-MOVEMENT, CLAMP	ST0002349	33	PIN-SPLIT 2X15	ST7024022
9	SPRING, RECALL PEDALS	ST0016984	34	ROD, Register Reversing assembly	ST4017161
10	SCREW TE 6X30 8G	ST7104049	35	LEVER - SWITCH ASSY	ST0005637
11	RING-SNAP d.10	ST7022039	36	SWITCH ASSY - SINGLE PHASE	ST0016433
12	WASHER -PISTON d.12	ST7021072	37	LABEL, GROUND	ST0017375
13	SHAFT-HINGE, PEDAL	ST0005731	38	WASHER- GROWER d.3	ST7021149
14	PEDAL	ST0009587	39	RETAINER, CABLE	ST0001271
15	NUT Hex M6 6S	ST7020041	40	SCREW, S. THREAD 10EX13TE	ST7117021
16	SPRING, BLOCKAGE-PIN	ST0016573	41	REVERSE GEAR PROTECTION	ST0016452
17	SPACER-PEDAL	ST0005654	42	VALVE, BEAD-BREAKER	ST4017159
18	SCREW TE 6X30 8G	ST7104439	43	SCREW TE 6X40 8G	ST7104289
19	SPRING, PEDAL SWITCH	ST0016103	44	SEAL,O-RING	ST0004751
20	Bushing Centering Pin	ST0016102	45	HOSE CONNECTION, AIR	ST0016329
21	PEDAL-FOOT, MOTOR	ST4016330	46	VALVE, TURNTABLE	ST4009611
22	WASHER - d.4	ST7021199	47	DECAL, DANGER VDE	ST0008451
23	NUT M4 BRASS UNI 5588	ST7020670	48	Protector,Cable + Hose Guide	ST0013173
24	PLATE, EARTH	ST0017374	49	Reversing switch MONOPH.+ CAB	ST4017395
25	SCREW TCB 4X8 4S DIN 7986	ST7302211			



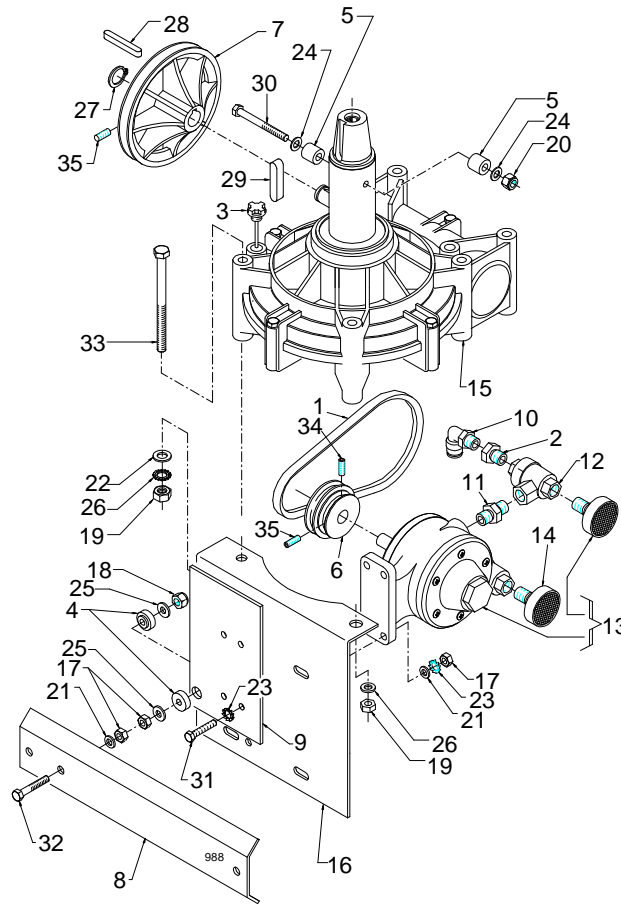
Turntable Assembly - All Models

Item	Description	Part Number	Item	Description	Part Number
1	Screw, TEM16X1	ST7109209	25	Ring, Stop	ST7022339
2	Pin, Split 4X10	ST7023049	26	Support, Ring	ST0013015
3	Plate, Turntable 20"	ST4022157	27	Spacer – Rod	ST0019805
4	Plate, Register – Clamp	ST0020886	28	Guide, Lower Clamp	ST0019807
5	Bracket, Cylinders	ST4021240	29	Spacer, Fork	ST0019883
6	Fitting, 90deg. Swivel	ST0005140	30	Protection, Rims	ST0022129
7	Seal, "O" Ring	ST0001682	31	Wedge, Turntable-CTR	ST0024031
8	Hose, Air – 4X6, Black	ST0022430	32	Screw STEI	ST7905625
9	Seal – Double	ST0015200	33	Clamp w/ insert B.seat	ST4024032
10	Seal, Lip	ST0001683	34	Fitting, Hose 8X10	ST0022176
11	Fitting, Straight 4X6, 1/8	ST0001923	35	Washer, 10X30X3	ST0009426
12	Plate, Register – Clamps	ST4020885	36	Washer, Shim–30X17X0.3	ST0001363
13	Hose, Air – 4X6, Black	ST0022297	37	Bushing, Link	ST0002480
14	Fitting - 4X6, 1/8	ST0019849	38	Screw, TE 10X85	ST7106409
15	Seal, "O" Ring	ST0013161	39	Hose, Air 4X6-Black	ST2618001
16	Seal, Tubeless Infl.-Front	ST0013053	40	Washer, D.12X18X1	ST0019893
17	Spring, Joint Sealing	ST0015617	41	Ring, Snap	ST7022059
18	Ring, Inside-w/ Supports	ST4013171	42	Hose, Air 4X6-Black	ST0022431
19	Hose, Air – 4X6	ST0004139	43	Protection, Turntable	ST0005678
20	Hose, Fitting – Cylinders	ST0013164	44	Washer	ST0010940
21	Clip	ST0003446	45	Hose, Air-8X10 Black	ST0022835
22	Fitting, Quick Hose-1/4	ST0022175	46	Hose, Air-8X10	ST0022306
23	Ring, Outer-Manifold	ST4015870	*	Cylinder, Turntable 20"	ST4022182
24	Seal, "O" Ring	ST0007406	*	Distributor, Rotating	ST4022180



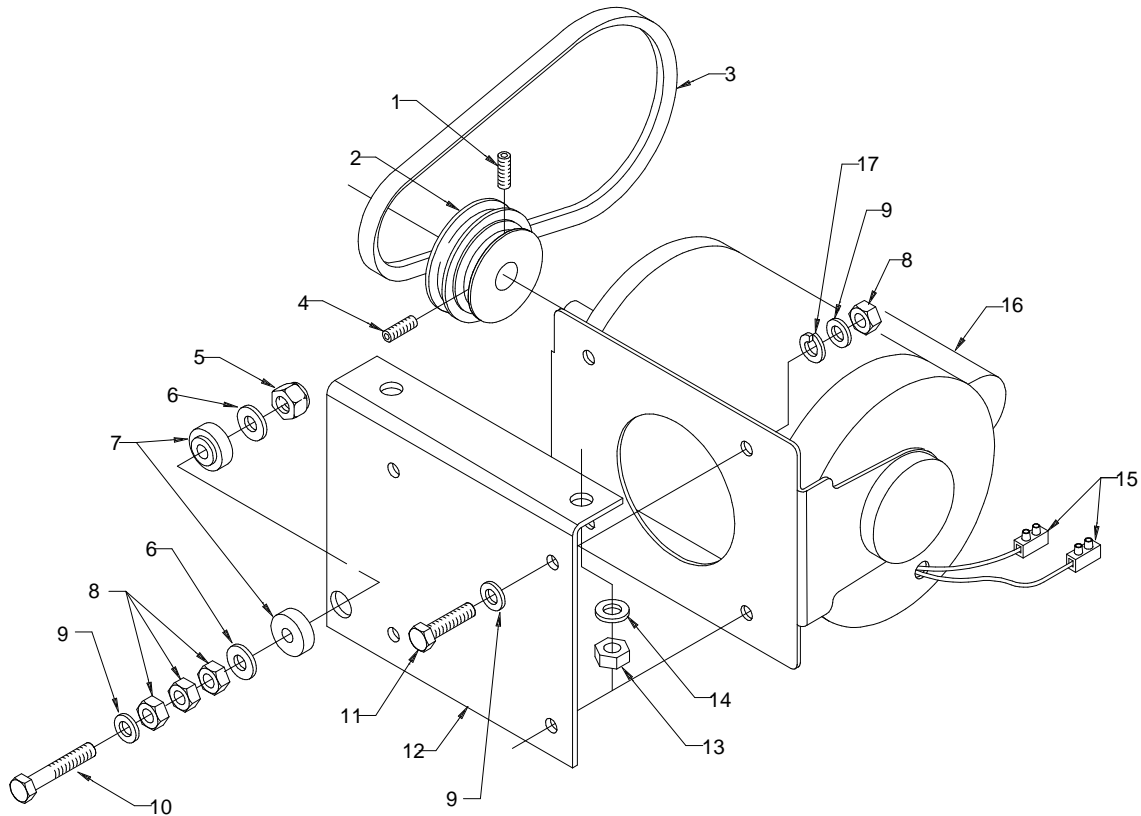
EEWH302A / 303A Motor Assembly

Item	Description	Part Number	Item	Description	Part Number
1	Key, 6X6X40	ST7025060	20	Washer, Shock Absorber	ST0010491
2	Bushing, Stop-Cylinder	ST0013165	21	Nut, M8 – Yellow Coated	ST7020015
3	Pully - 72T	ST0024199	22	Washer, D.8	ST7021015
4	Washer, D.6	ST7021042	23	Screw, TE 8X70	ST7105431
5	Screw, TE 6X100	ST7104599	24	Screw, TE 6X30	ST7104439
6	Ring, Snap-Shaft	ST7022179	25	Washer, Lock – D.6	ST7021119
7	Screw, STEI – 6X10	ST7704529	26	Screw STEI 6X10	ST7704529
8	Nut, S. Lock	ST7020189	27	Pulley, 16 toothed	ST0024198
9	Tang, 10X8X45	ST7025080	28	Plate, motor	ST0023206
10	Plug, Oil	ST0010088	29	Support, Motor reinforce	ST4020939
11	Screw, TE – 10X160	ST7106295	30	Nut, M10	ST7020125
12	Belt - toothed HTD	ST0024197	31	Washer, Stop – D.10	ST7021159
13	Gear Box	ST4013163	32	Washer d6.	ST7021041
14	Fitting, L - 8X10	ST0023224	33	Washer, Lock – D.6	ST7021119
15	Washer, D.10	ST7021025	34	Nut, Hex – M6	ST7020041
16	Washer, Stop – D.10	ST7021159	35	Motor Pneu.	ST0023243
17	Nut, M10	ST7020125	36	Muffler 1/4"	ST0005742
18	Nut, S. Lock	ST7020039	37	Fitting 1/4	ST0003638
19	Washer, D. 8X24	ST7021102	38	Valve - Exhaust Muffler	ST0009676 ST0023743



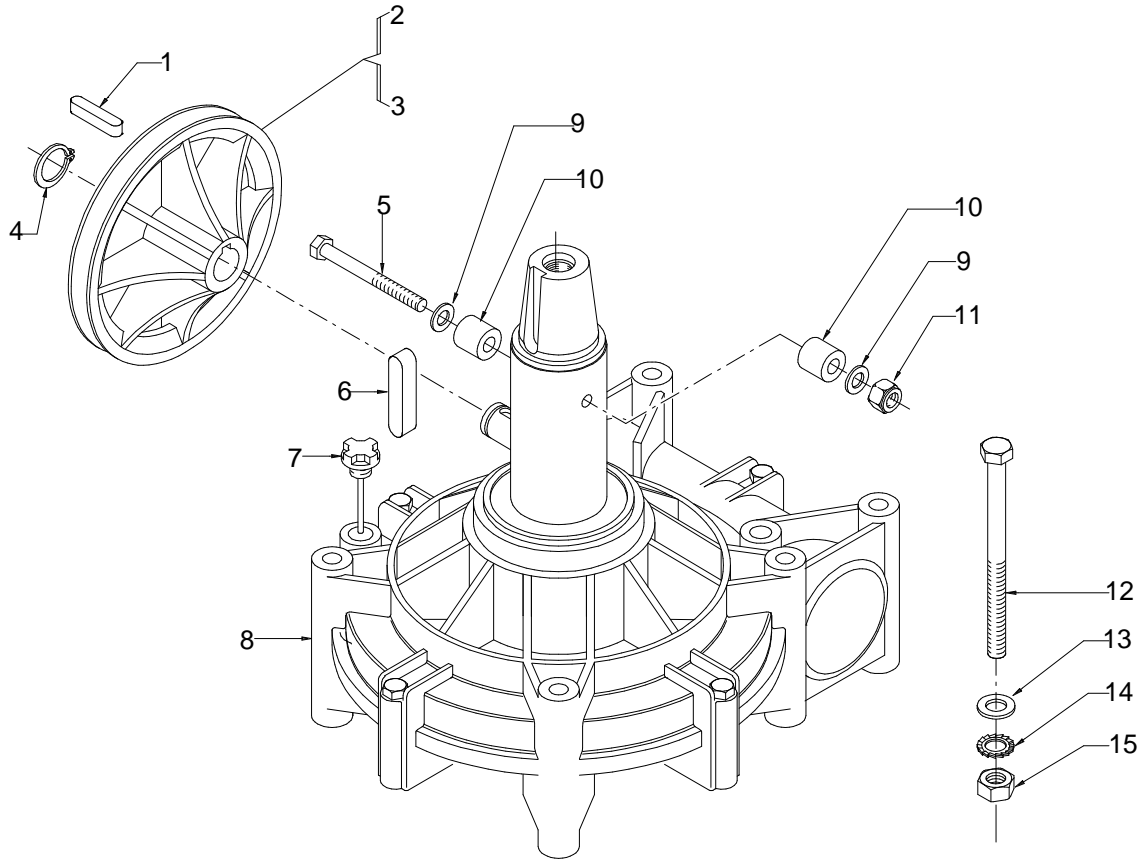
VERSION II AIR MOTOR ASSEMBLY

ITEM	DESCRIPTION	PART NUMBER	ITEM	DESCRIPTION	PART NUMBER
1	belt, a 27	ST0001890	19	nut m10 6s	ST7020125
2	adapter mf 1/2 - 1/4	ST0005879	20	nut - s. lock, high - m6 5s	ST7020189
3	plug - oil	ST0010088	21	washer d.8	ST7021015
4	washer, shock absorber	ST0010491	22	washer D. 10	ST7021025
5	bushing, stop - manifold	ST0013165	23	washer d.8	ST7021039
6	pulley, double D.16	ST0014548	24	washer d.6	ST7021042
7	pulley, groove	ST0016650	25	washer d 8x24	ST7021102
8	metal sheet reinforcement big box	ST0022828	26	washer - stop d. 10	ST7021159
9	plate, reinforce - motor	ST0023206	27	ring - snap, shaft d.19	ST7022179
10	fitting I 8x10 1/4	ST0023224	28	key - 6x6x40	ST7025060
11	connection conic pipplo 1/2	ST0025061	29	tang 10x8x45	ST7025080
12	valve rapid unloaded 1/2	ST0025062	30	screw te 6x100 8g	ST7104599
13	pneumatic motor with silencer	ST0025075	31	screw te 8x35 8g	ST7105289
14	silencer pneumatic motor	ST0025101	32	screw te 8x70 5s	ST7105431
15	gear - box	ST4013163	33	screw te 10x160 8g	ST7106295
16	support - motor	ST4020939	34	screw stei 6x10 12k	ST7704239
17	nut m8 6s stand. yellow coated	ST7020015	35	screw stei 6x10 - plane12k br	ST7704529
18	nut - s.lock, low - m8 5s	ST7020039			



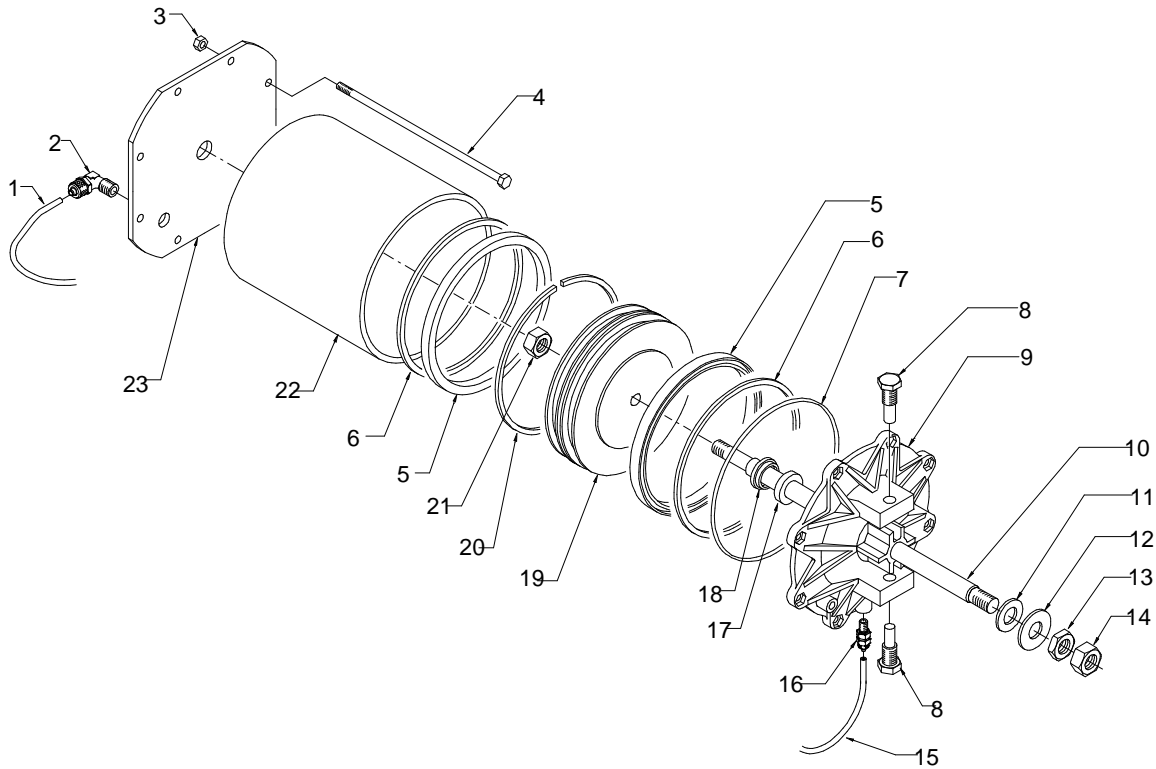
EEWH304A / 305A MOTOR & BRACKET ASSEMBLY

ITEM	DESCRIPTION	PART NUMBER	ITEM	DESCRIPTION	PART NUMBER
1	SCREW STEI 6X10 12K	ST7704239	10	SCREW TE 8X70 5S	ST7105431
2	PULLEY, DOUBLE D.16	ST0014548	11	SCREW TE 8X20 8G	ST7105109
3	BELT, A27	ST0001890	12	SUPPORT, MOTOR	ST4014538
4	Screw Stei 6X10- plane 12K BR	ST7704529	13	NUT M10 6S	ST7020125
5	NUT - S.LOCK.,LOW- M8 5S	ST7020039	14	WASHER - STOP d.10	ST7021159
6	WASHER, D8x24	ST7021102	15	Board - Terminal 6MM	ST0001951
7	WASHER, SHOCK ABSORBER	ST0010491	16	115 VAC Motor	ST1014451
8	Nut, M8 6S Stand, Yellowcoat	ST7020015	17	WASHER d.8	ST7021039
9	WASHER, D8	ST7021015			



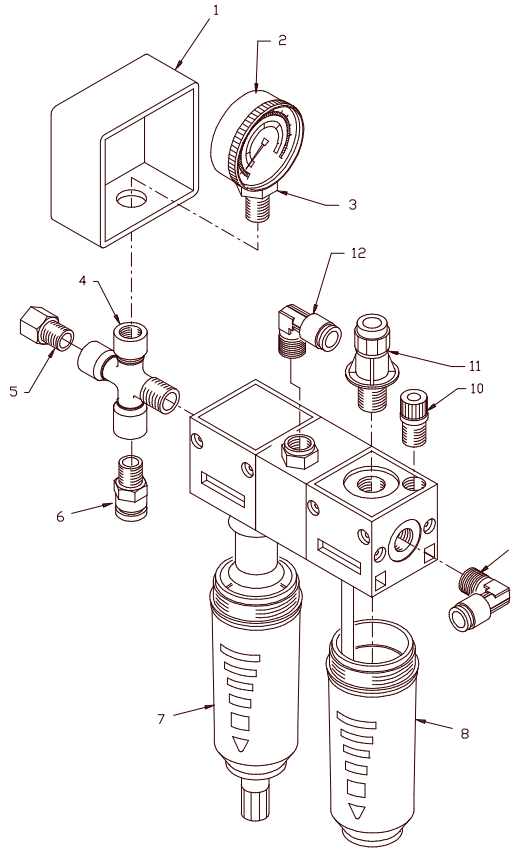
EEWH304A / 305A TRANSMISSION

ITEM	DESCRIPTION	PART NUMBER	ITEM	DESCRIPTION	PART NUMBER
1	KEY-6X6X40	ST7025060	9	WASHER d.6	ST7021042
2	PULLEY, - 115V	ST0018650	10	BUSHING,STOP - CYLINDER	ST0013165
3	PULLEY, - 230V	ST0004396	11	NUT-S.LOCK,HIGH - M6 5S	ST7020189
4	Snap Ring Shaft	ST7022179	12	SCREW TE 10X160 8G	ST7106295
5	SCREW TE 6X100 8G	ST7104599	13	WASHER P.d.10	ST7021025
6	TANG 10X8X45	ST7025080	14	WASHER - STOP d.10	ST7021159
7	PLUG-OIL	ST0010088	15	NUT M10 6S	ST7020125
8	GEAR-BOX	ST4013163			



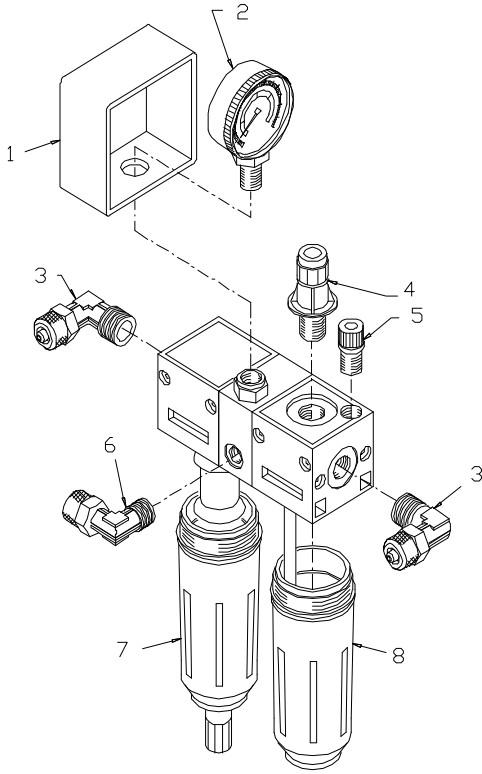
BEAD BREAKER CYLINDER – ALL MODELS

ITEM	DESCRIPTION	PART NUMBER	ITEM	DESCRIPTION	PART NUMBER
1	HOSE - AIR 6X8	ST0003398	13	NUT 18X1.5 6S BR	ST7020641
2	FITTING - L 6X8 1/8	ST0019819	14	Cylinder Nut	ST0016207
3	Nut, M8 6S Stand, Yellowcoat	ST7020015	15	HOSE - AIR 6X8	ST0008148
4	Tension Rod	ST0019970	16	FITTING-ST 6X8 1/8	ST0001924
5	SEAL - LIP N d.184	ST0001415	17	SEAL-LIP d.20	ST0001683
6	Piston ring - bead breaker	ST0001470	18	RETAINER-SEAL d.20	ST0001684
7	SEAL-OR 180X2	ST0001414	19	PISTON	ST0009279
8	Screw Cylinder breaker	ST0013265	20	RING- PLASTIC	ST0010597
9	End cap cylinder bead breaker	ST0013409	21	NUT-LOCK M14 6S	ST7020141
10	Bead breaker cylinder rod	ST0014852	22	Cylinder liner with ring assy.	ST4007780
11	Felt washer	ST0001188	23	Plate bottom bead breaker	ST0006383
12	Washer 50X20	ST0001472			



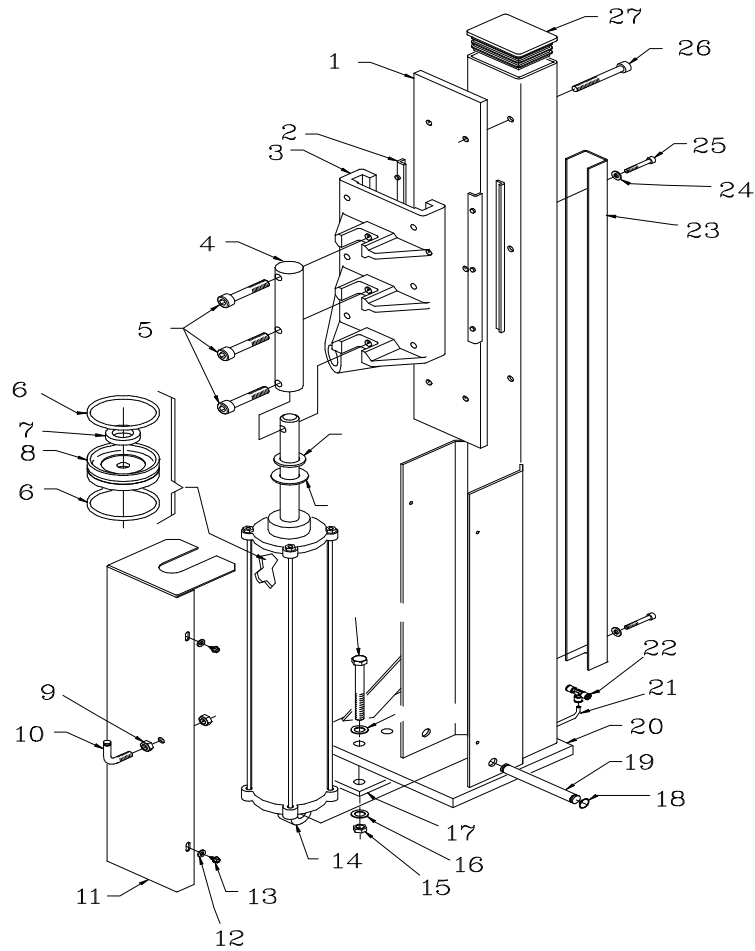
EEWH302A / 303A Filter Lubricator Assembly

Item	Description	Part Number	Item	Description	Part Number
1	Protection, Manometer	ST0016435	8	Bowl lubrifier	ST0024467
2	Manometer, Radial	ST0014514	9	Fitting 8X10	ST0023994
3	Reduction, MF 3/8 – 1/8	ST0016432	10	Cap, Oil	ST4010687
4	Fitting 3/8	ST0014516	11	Cap, Flow Register	ST4010686
5	Fitting, MF 3/8	ST0019155	12	Fitting 6X8	ST0023210
6	Fitting Quick 8X10 - 3/8	ST0024177	*	Filter Lubrifier Assembly	ST4024363
7	Bowl filter	ST0024466			



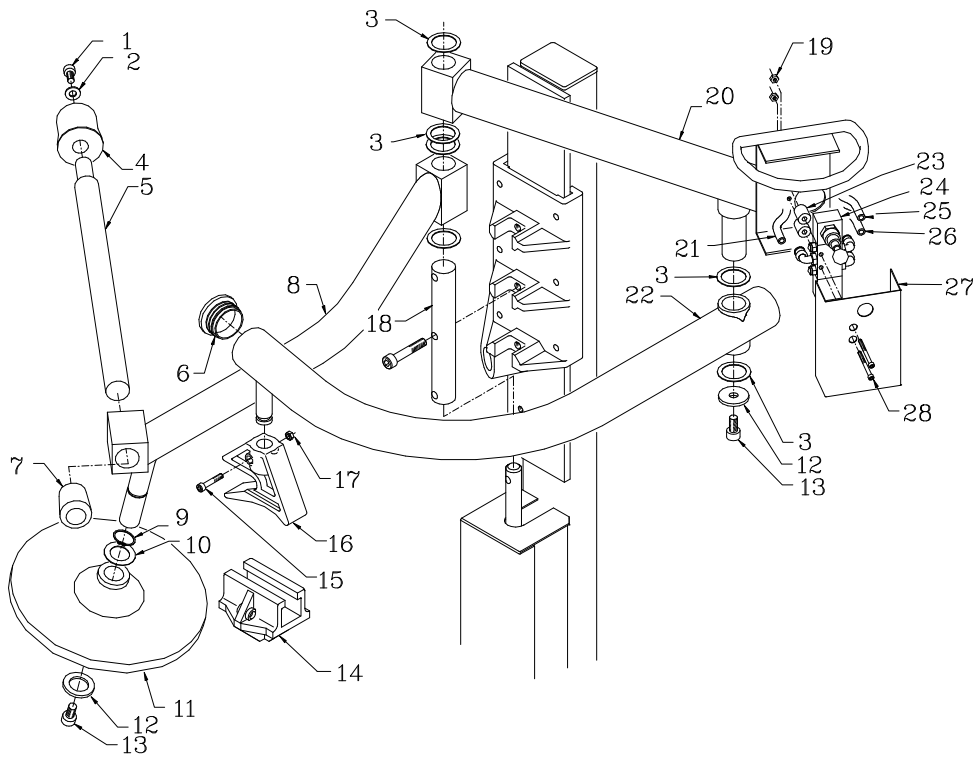
EEWH303A / 305A Filter Lubricator Assembly

Item	Description	Part Number	Item	Description	Part Number
1	Protection, Manometer	ST0022173	5	Cap - Oil	ST4010687
2	Manometer	ST0014514	6	90 degree fitting	ST0001436
3	Fitting 90 deg.	ST0001432	7	Water bowl	ST0021523
4	Site glass	ST4010686	8	Oiler bowl	ST0021524



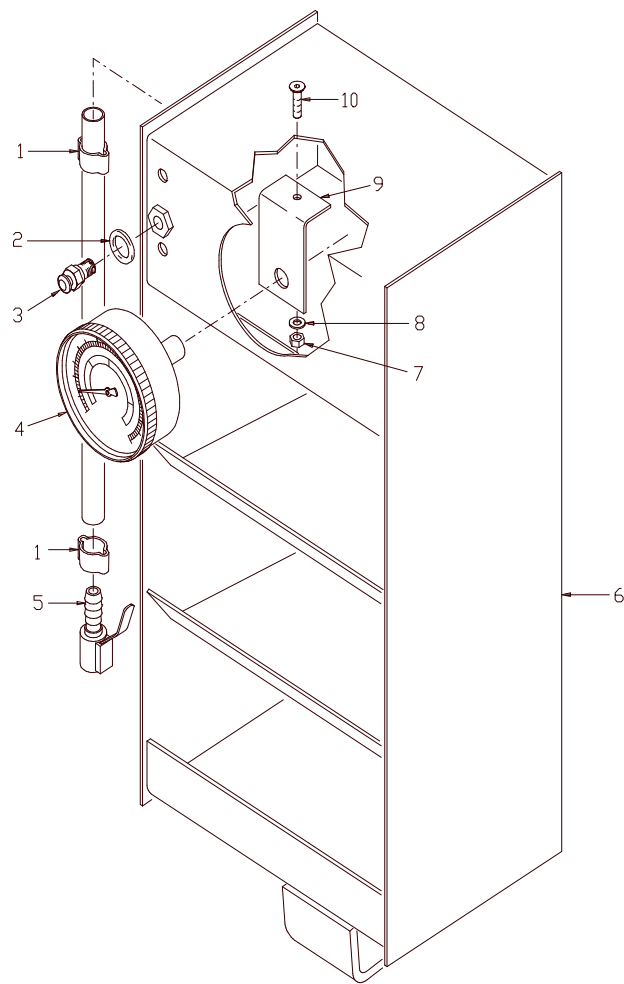
EEWH303A / 305A - CYLINDER AND TOWER

Item	Description	Part Number	Item	Description	Part Number
1	Slide, Carriage guide	ST0024244	17	Spacer Column-Support	ST0017228
2	Carriage guide	ST0024461	18	Snap Ring d.12	ST7022059
3	Carriage hold arms	ST0024233	19	Pin, Fulcrum cylinder	ST0024241
4	Bar, Fulcrum arm	ST0024243	20	Column	ST4024234
5	Screw TCEI 10X50 8G	ST7206059	21		ST0024498
6	Seal-OR D. 75	ST0001682	22	Fitting intermediate	ST0017238
7	Seal-Rod, Piston D.20	ST0001683	23	Hose protector	ST0024256
8	Seal Double D. 75	ST0015200	24	Washer, Toothed D.5	ST7021209
9	Nut M8 6S stand yellow	ST7020015	25	Screw TCEI 5X40 8G	ST7203159
10	Hook for guage inflator	ST0024052	26	Screw TCEI 8X70 8G	ST7205199
11	Cylinder cover	ST0024255	27	Plastic Plug 60X80X4	ST0020650
12	Washer D. 5	ST7021091	28	Felt Washer	ST0001188
13	Screw-S Thread 10EX 13TE	ST7117021	29	Washer 50X20	ST0001472
14	Cylinder	ST4024245	30	Screw - 10X100 10G	ST7106249
15	Nut-S Lock Low-M 10	ST7020279	31	Washer P.d. 10	ST7021025
16	Washer P.d. 10	ST7021025			



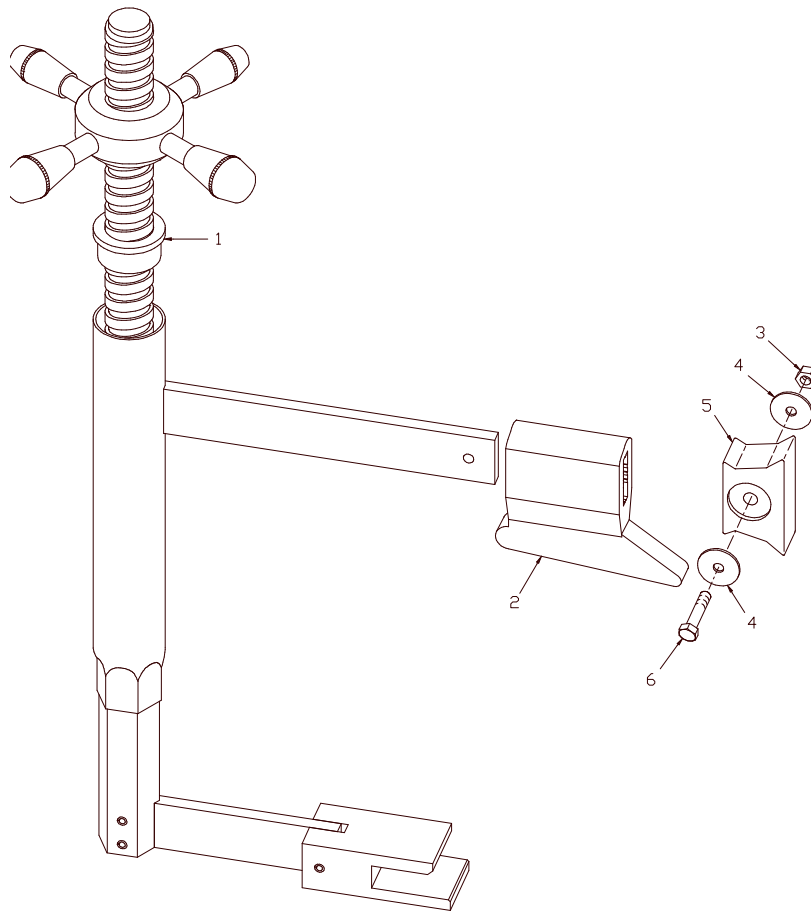
EWH303A / 305A BEAD PUSHER ARM MH310

Item	Description	Part Number	Item	Description	Part Number
1	Screw 8X16	ST7205059	15	Screw TCEI	ST7204549
2	Washer d.12	ST7021102	16	Tool – Bead Depressor	ST0024204
3	Washer	ST0024242	17	Nut - Hex	ST7020041
4	Roller – Bead Depr.	ST0024268	18	Bar – Fulcrum arm	ST0024243
5	Shaft – Roller Holder	ST0024269	19	Nut	ST7020091
6	Plastic Plug	ST0024273	20	Arm, Control Holder	ST4024258
7	Rubber Plug	ST0023901	21	Air Hose	ST0024498
8	Arm, Disk Holder	ST4024460	22	Arm, Bead Depr.	ST4024264
9	Locking Ring	ST7022469	23	Bushing - Stop	ST0013165
10	Washer - Steel	ST0005405	24	Valve Control	ST4024272
11	Disk – Bead Breaker	ST0023778	25	Air Hose	ST0024496
12	Washer – Fitting Tool	ST0006200	26	Air Hose	ST0024497
13	Screw TCEI	ST7206119	27	Box - Control	ST0024257
14	Tool – Rim Depressor	ST0024205	28	Screw TCEI	ST7202229



Accessory Storage Container

Item	Description	Part Number	Item	Description	Part Number
1	Clip	ST0001535	7	Nut M65	ST7020815
2	Seal "O" Ring	ST0001613	8	Washer d.5	ST7021092
3	Bleader Assembly	ST4016060	9	Plate Support	ST0024044
4	Manometer – PSI	00066170000	10	Screw, TBEI	ST7803309
5	Plier – Inflation	ST0006993	*	Inflation Hose Assy.	ST4010931
6	Plate, Box - acc.	ST4024042			



Bead Depressor Clamp Assembly

Item	Description	Part Number	Item	Description	Part Number
1	Bushing Support - Ring	ST0024077	5	Pad, clamp	ST0024050
2	Slide, Plastic	ST0024051	6	Screw, TE 6X30	ST7104049
3	Nut, Hex – M6	ST7020041	*	Bead Clamp Assembly	ST4024078
4	Washer 6X24	ST7021165			

Notes



Notice: The information contained in this document is subject to change without notice. Snap-on Incorporated makes no warranty with regard to this material. Snap-on Incorporated shall not be liable for errors contained herein or for incidental consequential damages in connection with furnishings, performance, or use of this material.

This document contains proprietary information which is protected by copyright and patents. All rights are reserved. No part of this document may be photocopied, reproduced, or translated without prior written consent of Snap-on Incorporated.

Snap-on is a registered trademark of Snap-on Incorporated