

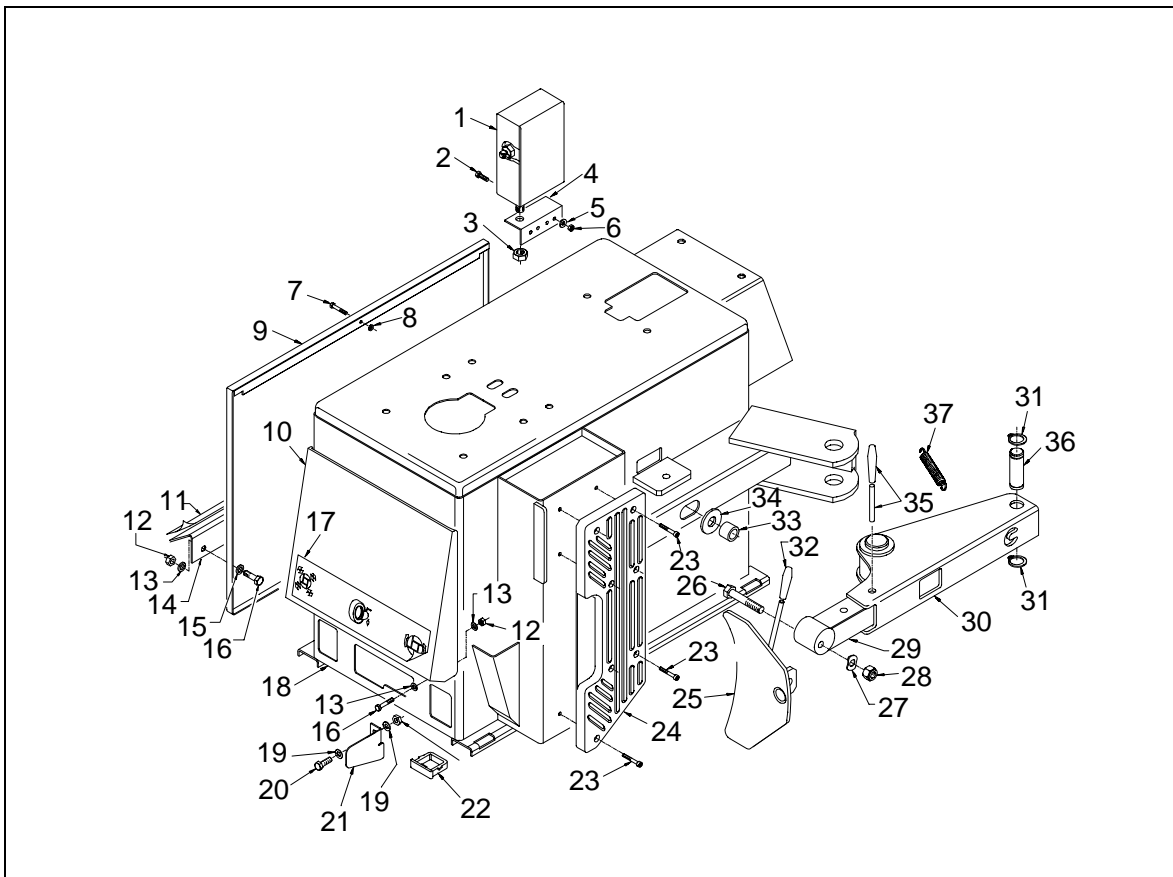
# ***Snap-on***

---



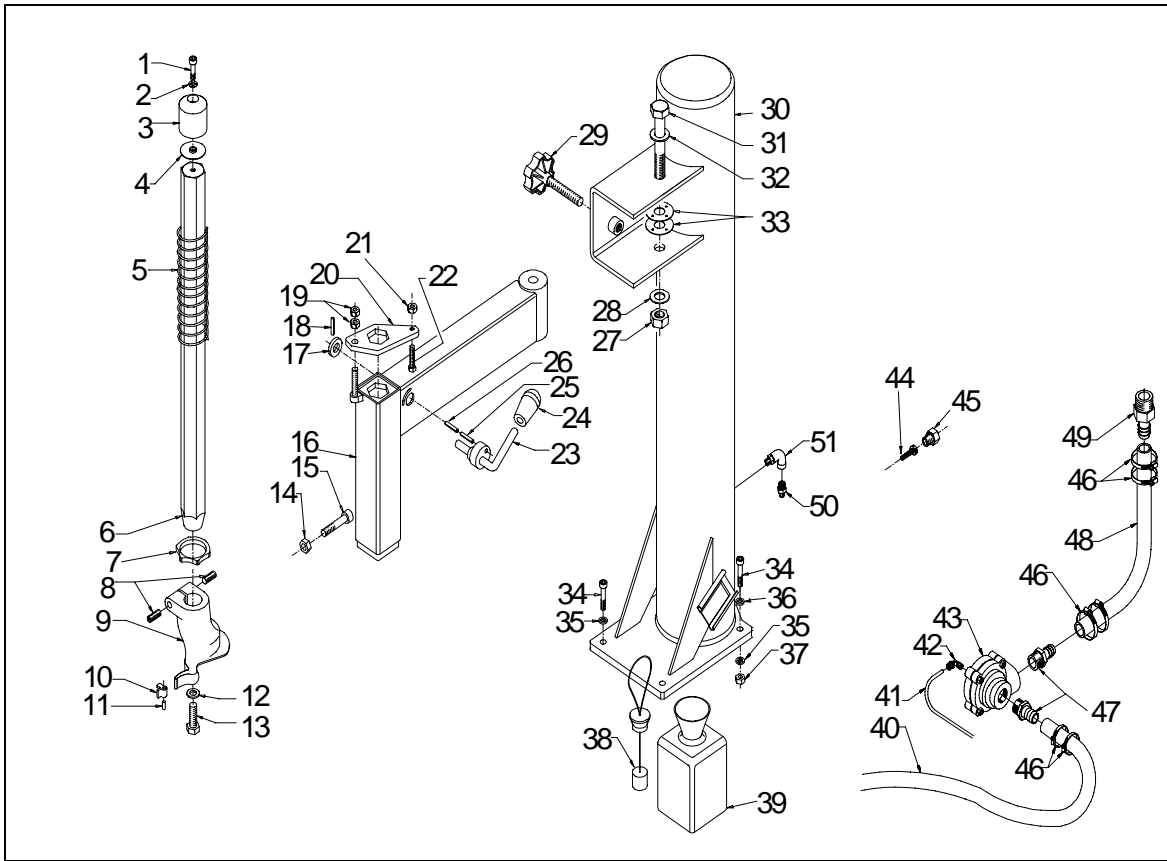
EEWH302A / EEWH304A  
PARTS REFERENCE

---



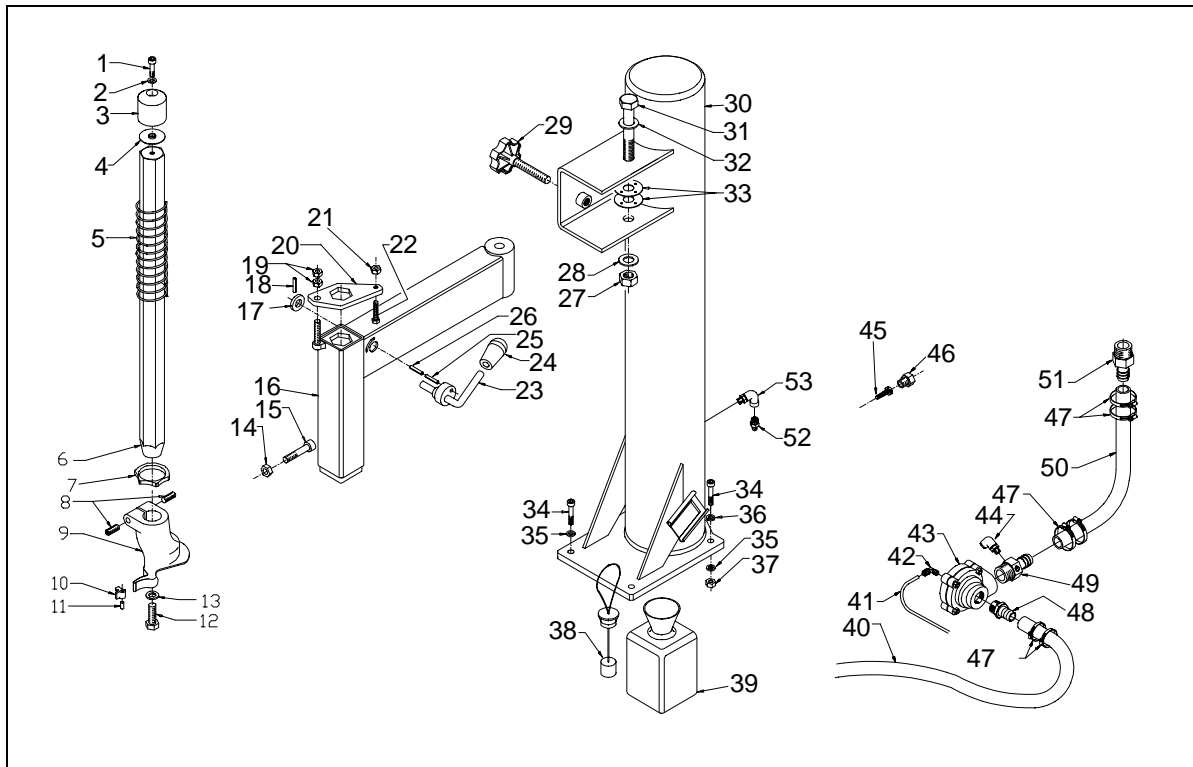
## EEWH304A BASE ASSEMBLY

Item	Description	Part Number	Item	Description	Part Number
1	Pressure Limiter	ST4022926	20	Screw, TE 8X20	ST7105109
2	Screw TCI 4X16	ST7202099	21	Protection, Pedal-Rev.	ST0023547
3	Nut - M14	ST7020321	22	Foot, Square	ST0002801
4	Bracket-Valve Inflator	ST0020636	23	Screw, TCEI 6X20	ST7204019
5	Washer, D4	ST7021232	24	Pad, Spt-Bd Breaker	ST0020101
6	Nut - M4	ST7020091	25	Blade, Bd. Breaker	ST4021305
7	Screw TE - 6X20	ST7104055	26	Screw, TE 14X100	ST7108069
8	Washer, lock	ST7021119	27	Washer, M14	ST7021329
9	Side Panel	ST4016399	28	Nut, S-Lock	ST7020409
10	Protection, Pedals	ST4022282	29	Extension, Arm - BKR	ST4022408
11	Sticker - Inflator	ST0022669	30	Support - Arm, BBK	ST4024029
12	Nut - M8	ST7020015	31	Ring, Snap	ST7022049
13	Washer, D8	ST7021015	32	Handle, lever	ST0024030
14	Protector, Pedal	ST0011227	33	Washer-Sh. Absorber	ST0007564
15	Washer, D8X24	ST7021102	34	Washer-Bd. Breaker	ST0014636
16	Screw, 8X16	ST7105019	35	Register, pin	ST4022409
17	Sticker, Pedals	ST0022672	36	Pin-Bd. Breaker	ST0013234
18	Cabinet	ST4017402	37	Spring, Recall - Arm	ST0001229
19	Washer d.8	ST7021011			



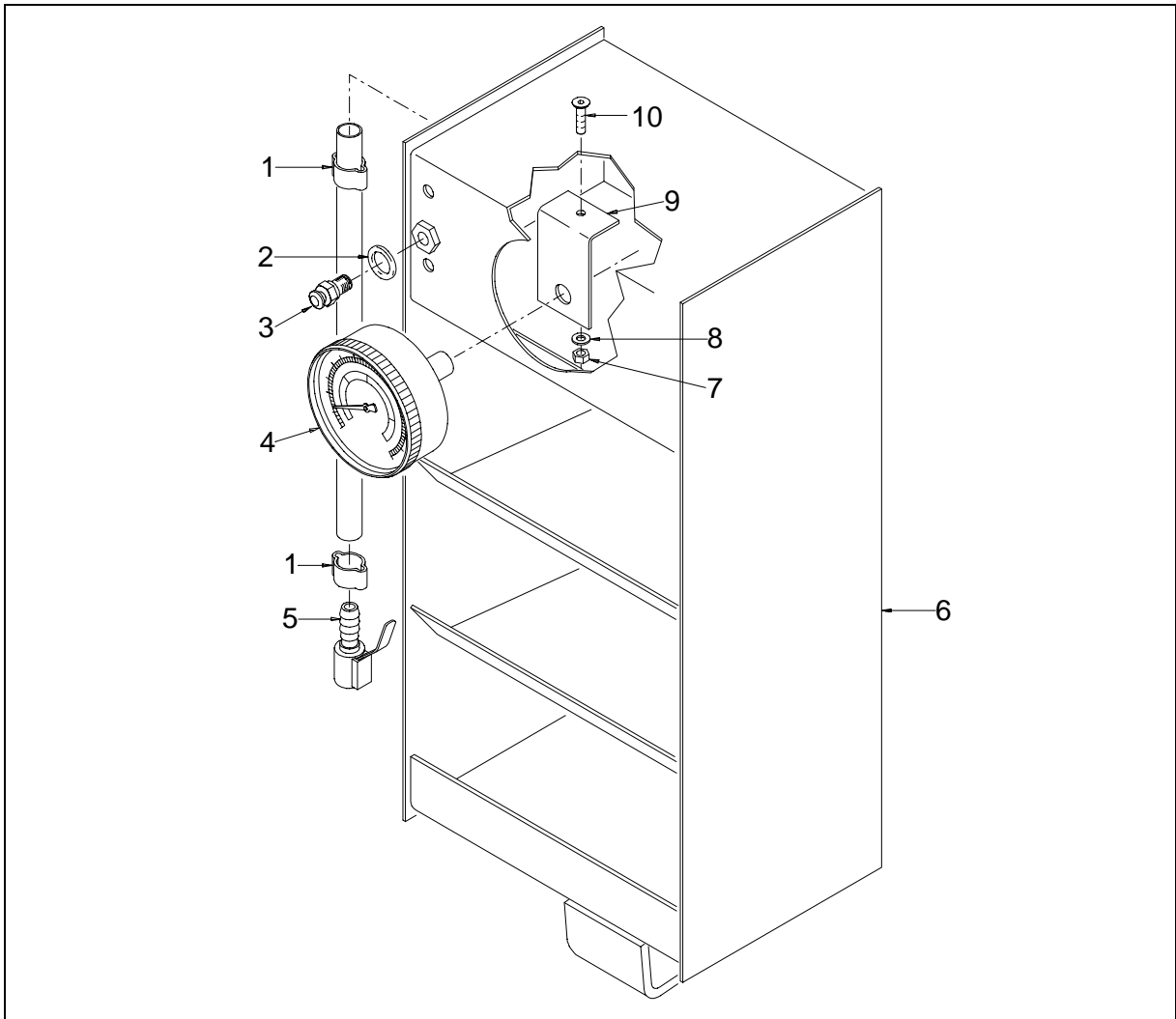
## EEWH304A Tower Assembly

Item	Description	Part Number	Item	Description	Part Number
1	Screw, TCEI 8X16	ST7205059	27	Nut, M20	ST7020521
2	Washer, D.8	ST7021015	28	Washer, D.20	ST7021242
3	Cover, Spring	ST0024036	29	Screw, Adjustment – Arm	ST0009608
4	Washer, Locking – D.6	ST0017746	30	Column, swing	ST4024073
5	Spring, recall - vertical	ST0024035	31	Screw, Arm Support	ST0016256
6	Rod, Vertical	ST0019327	32	Washer, D.20	ST7021242
7	Seal, "O" Ring	ST0012053	33	Washer – Adjustment	ST0009607
8	Screw, STEI 10X20	ST7706429	34	Screw TCEI 10X40	ST7206225
9	Tool	ST0020957	35	Washer, Stop – D.10	ST7021159
10	Insert, Plastic-Head	ST0011064	36	Washer – D.10	ST7021025
11	Clip, D. 4X22	ST7040080	37	Nut, M10	ST7020125
12	Screw, Hex 10X20	ST7106069	38	Swab, Lube	ST4014529
13	Washer, Fitting – Tool	ST0006200	39	Bottle, Lube	ST0014466
14	Nut, S. Lock	ST7020039	40	Hose, Air	ST0014121
15	Screw TBEI	ST7805679	41	Hose, Air 4X6	ST0010618
16	Arm, swing	ST4019332	42	Fitting, 90deg, 4X6	ST0001384
17	Washer, D.14	ST7021252	43	Valve, Air Controlled	ST0013155
18	Pin, Split 4X26	ST7023079	44	Filter	ST0015927
19	Nut, M10	ST7020341	45	Fitting, MF	ST0024148
20	Handle, Locking	ST0024043	46	Clip	ST0003446
21	Nut, Hex - M8	ST7020111	47	Fitting, Support – M1"-20	ST0013157
22	Screw, Adjustment – Rod	ST0001287	48	Hose, High Pressure	ST0015657
23	Lever, Register	ST4011052	49	Fitting – Rub. Bear – ¾	ST0015784
24	Handle, Lever	ST0024030	50	Valve, Pressure Release – ¼	ST0005803
25	Pin, Split 5X26	ST7023229	51	Fitting, L	ST0004664
26	Roll, 3X27	ST0015151			



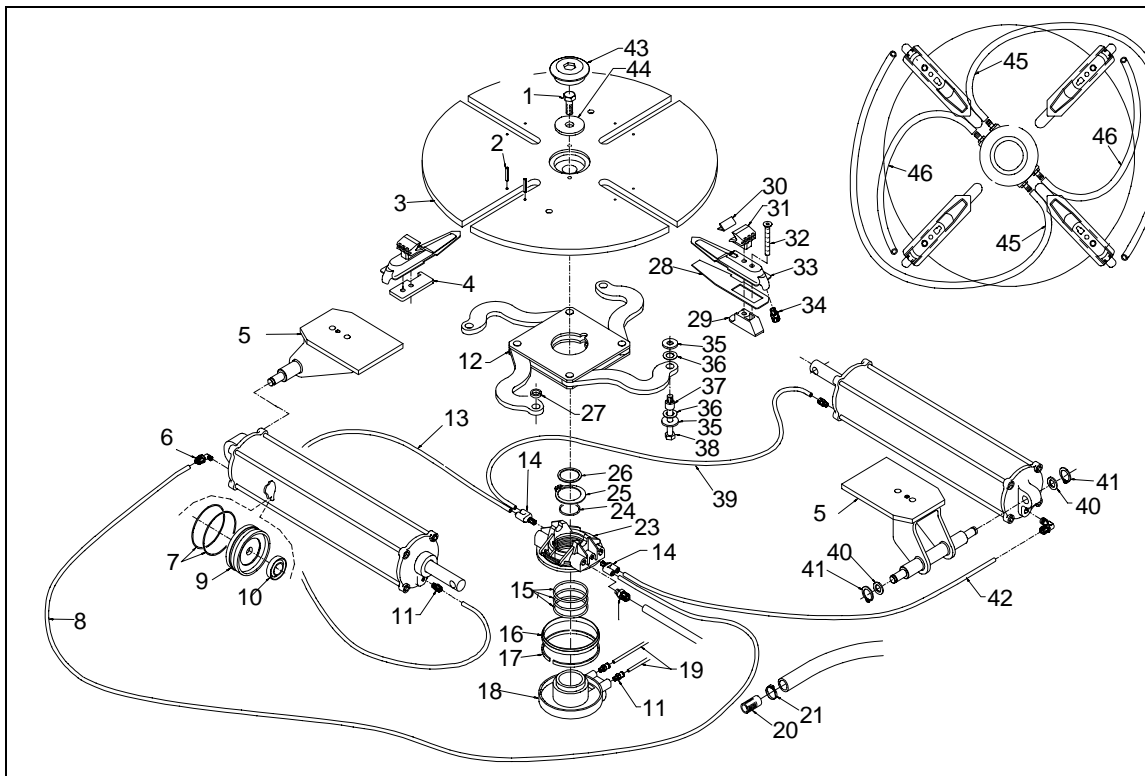
## EEWH302A Tower Assembly

Item	Description	Part Number	Item	Description	Part Number
1	Screw, TCEI 8X16	ST7205059	28	Washer, D.20	ST7021242
2	Washer, D8	ST7021015	29	Screw Adjustment, Arm	ST0009608
3	Cover, spring	ST0024036	30	Column, Swing	ST4024073
4	Washer, Lock	ST0017746	31	Screw, Arm Support	ST0016256
5	Spring, recall-vertical	ST0024035	32	Washer, D.20	ST7021242
6	Rod Vertical	ST0019327	33	Washer, Adjustment	ST0009607
7	Seal, "O" Ring	ST0012053	34	Screw, TCEI 10X40	ST7206225
8	Screw, STEI - 10X20	ST7706429	35	Washer, Stop - D.10	ST7021159
9	Tool	ST0020957	36	Washer D. 10	ST7021025
10	Insert, Plastic	ST0011064	37	Nut, M10	ST7020125
11	Clip d. 4X22	ST7040080	38	Swab - Lube	ST4014529
12	Screw, Hex 10X20	ST7106069	39	Bottle - Lube	ST0014466
13	Washer, Fitting - Tool	ST0006200	40	Hose, Air	ST0014121
14	Nut M85s	ST7020039	41	Hose, Air 4X6	ST0010618
15	Screw	ST7805679	42	Fitting, 90deg. 4X6	ST0001384
16	Arm, Swing	ST4019332	43	Valve - Air Control	ST0013155
17	Washer, D.14	ST7021252	44	Fitting 6X8	ST0019819
18	Pin-Split 4X26	ST7023079	45	Filter	ST0015927
19	Nut, M10	ST7020341	46	Fitting MF	ST0024148
20	Handle, Locking	ST0024043	47	Clip	ST0003446
21	Nut, Hex - M8	ST7020111	48	Fitting, Support M1"-20	ST0013157
22	Screw, Adjustment - Rod	ST0001287	49	Fitting, Rubber Holder 1"	ST0015658
23	Lever, Register	ST4011052	50	Hose, High Pressure	ST0015657
24	Handle, Lever	ST0024030	51	Fitting, Rub.Bear.M3/4	ST0015784
25	Split Pin 5X26	ST7023229	52	Valve, Pressure Relief 1/4	ST0005803
26	Roll Pin - 3X27	ST0015151	53	Fitting 90deg.	ST0004664
27	Nut - M20	ST7020521			



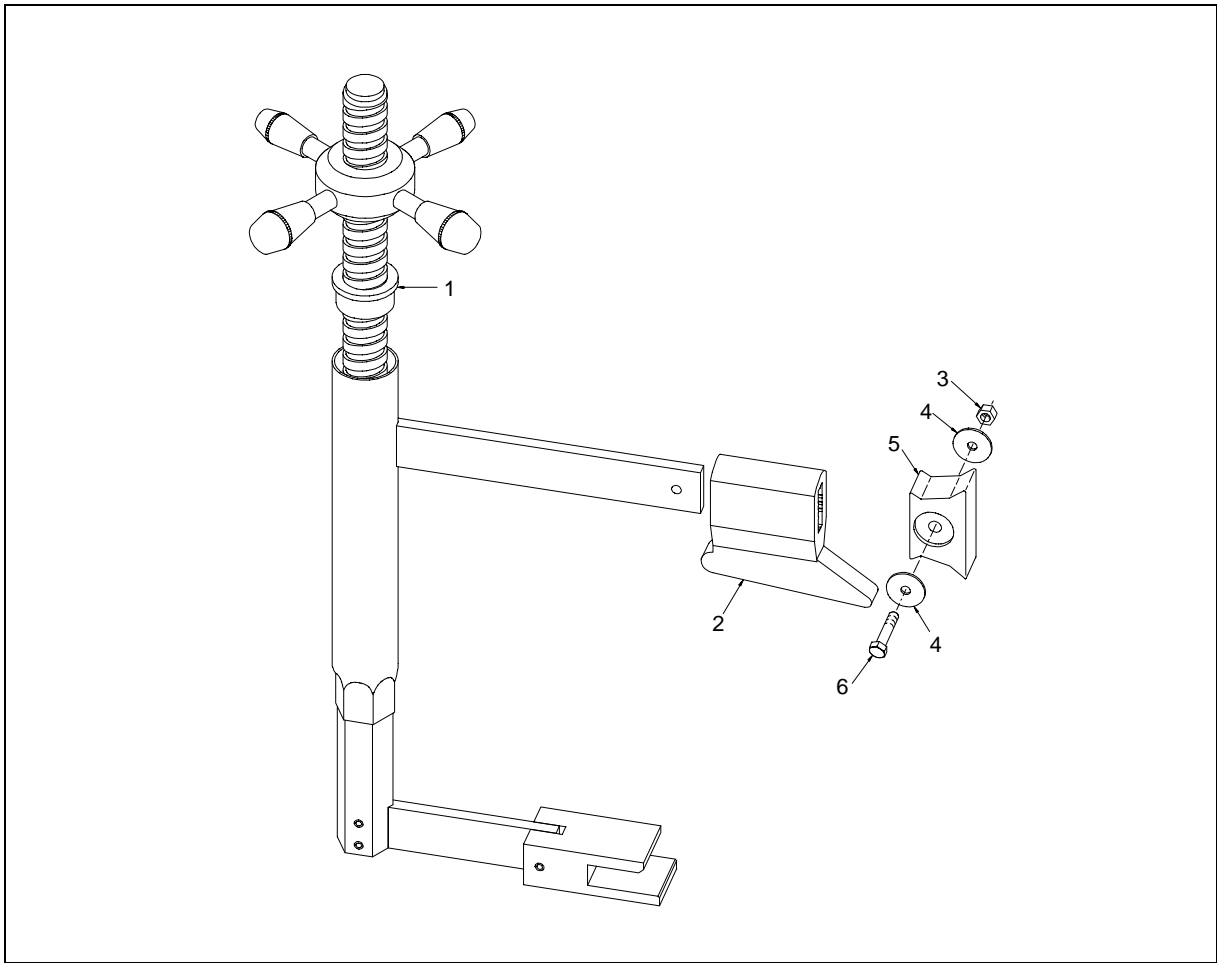
## Accessory Storage Container

Item	Description	Part Number	Item	Description	Part Number
1	Clip	ST0001535	7	Nut M65	ST7020815
2	Seal "O" Ring	ST0001613	8	Washer d.5	ST7021092
3	Bleader Assembly	ST4016060	9	Plate Support	ST0024044
4	Manometer – PSI	ST0014523	10	Screw, TBEI	ST7803309
5	Plier – Inflation	ST0006993	*	Inflation Hose Assy.	ST4010931
6	Plate, Box - acc.	ST4024042			



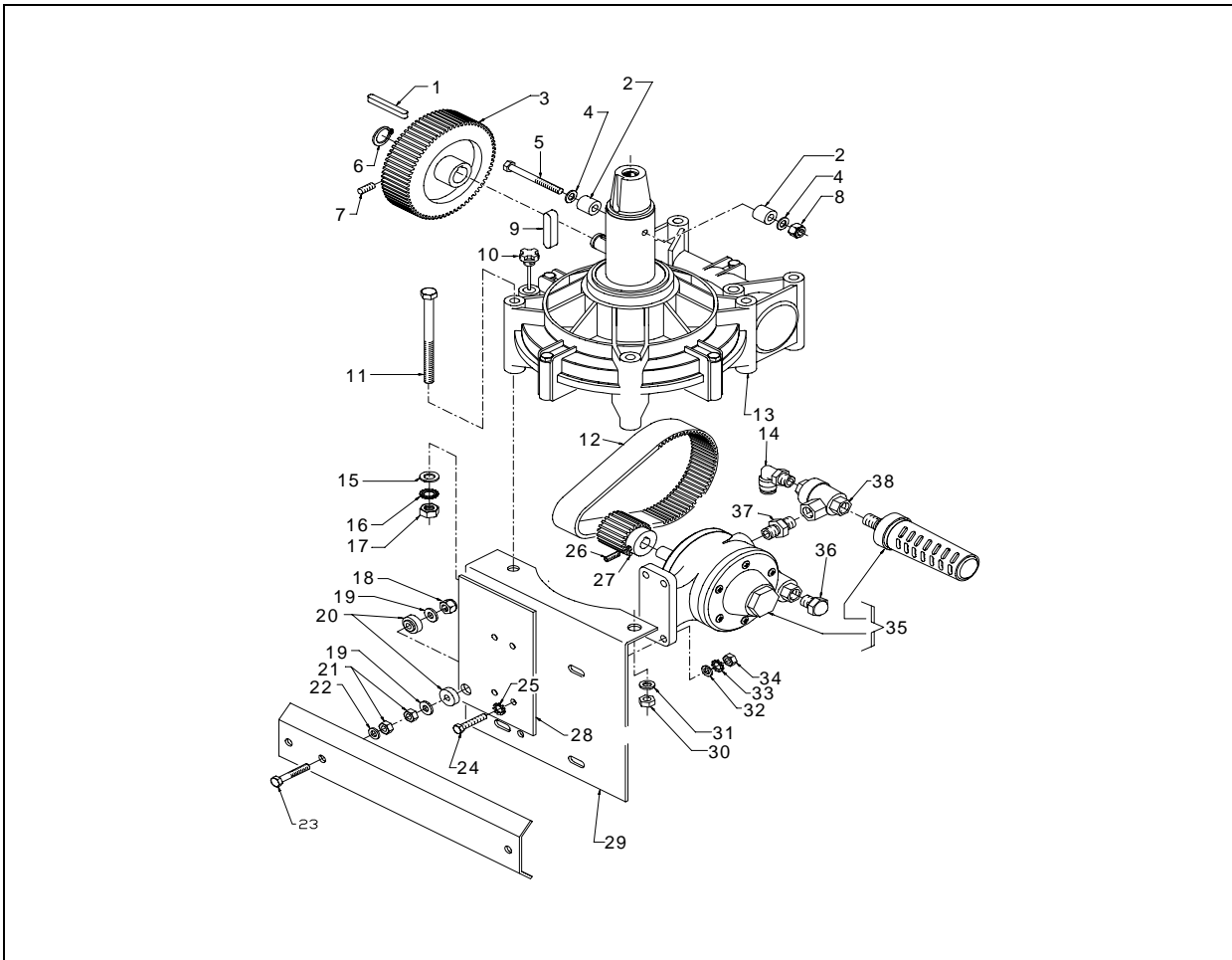
## Turntable Assembly – EEWH302A / EEWH304A

Item	Description	Part Number	Item	Description	Part Number
1	Screw, TEM16X1	ST7109209	25	Ring, Stop	ST7022339
2	Pin, Split 4X10	ST7023049	26	Support, Ring	ST0013015
3	Plate, Turntable 20"	ST4022157	27	Spacer – Rod	ST0019805
4	Plate, Register – Clamp	ST0020886	28	Guide, Lower Clamp	ST0019807
5	Bracket, Cylinders	ST4021240	29	Spacer, Fork	ST0019883
6	Fitting, 90deg. Swivel	ST0005140	30	Protection, Rims	ST0022129
7	Seal, "O" Ring	ST0001682	31	Wedge, Turntable-CTR	ST0024031
8	Hose, Air – 4X6, Black	ST0022430	32	Screw STEI	ST7905625
9	Seal – Double	ST0015200	33	Clamp w/ insert B.seat	ST4024032
10	Seal, Lip	ST0001683	34	Fitting, Hose 8X10	ST0022176
11	Fitting, Straight 4X6, 1/8	ST0001923	35	Washer, 10X30X3	ST0009426
12	Plate, Register – Clamps	ST4020885	36	Washer, Shim–30X17X0.3	ST0001363
13	Hose, Air – 4X6, Black	ST0022297	37	Bushing, Link	ST0002480
14	Fitting - 4X6, 1/8	ST0019849	38	Screw, TE 10X85	ST7106409
15	Seal, "O" Ring	ST0013161	39	Hose, Air 4X6-Black	ST00022313
16	Seal, Tubeless Infl.-Front	ST0013053	40	Washer, D.12X18X1	ST0019893
17	Spring, Joint Sealing	ST0015617	41	Ring, Snap	ST7022059
18	Ring, Inside-w/ Supports	ST4013171	42	Hose, Air 4X6-Black	ST0022431
19	Hose, Air – 4X6	ST0004139	43	Protection, Turntable	ST0005678
20	Hose, Fitting – Cylinders	ST0013164	44	Washer	ST0010940
21	Clip	ST0003446	45	Hose, Air-8X10 Black	ST0022835
22	Fitting, Quick Hose-1/4	ST0022175	46	Hose, Air-8X10	ST0022306
23	Ring, Outer-Manifold	ST4015870	*	Cylinder, Turntable 20"	ST4022182
24	Seal, "O" Ring	ST0007406	*	Distributor, Rotating	ST4022180



## Bead Holding Clamp Assembly

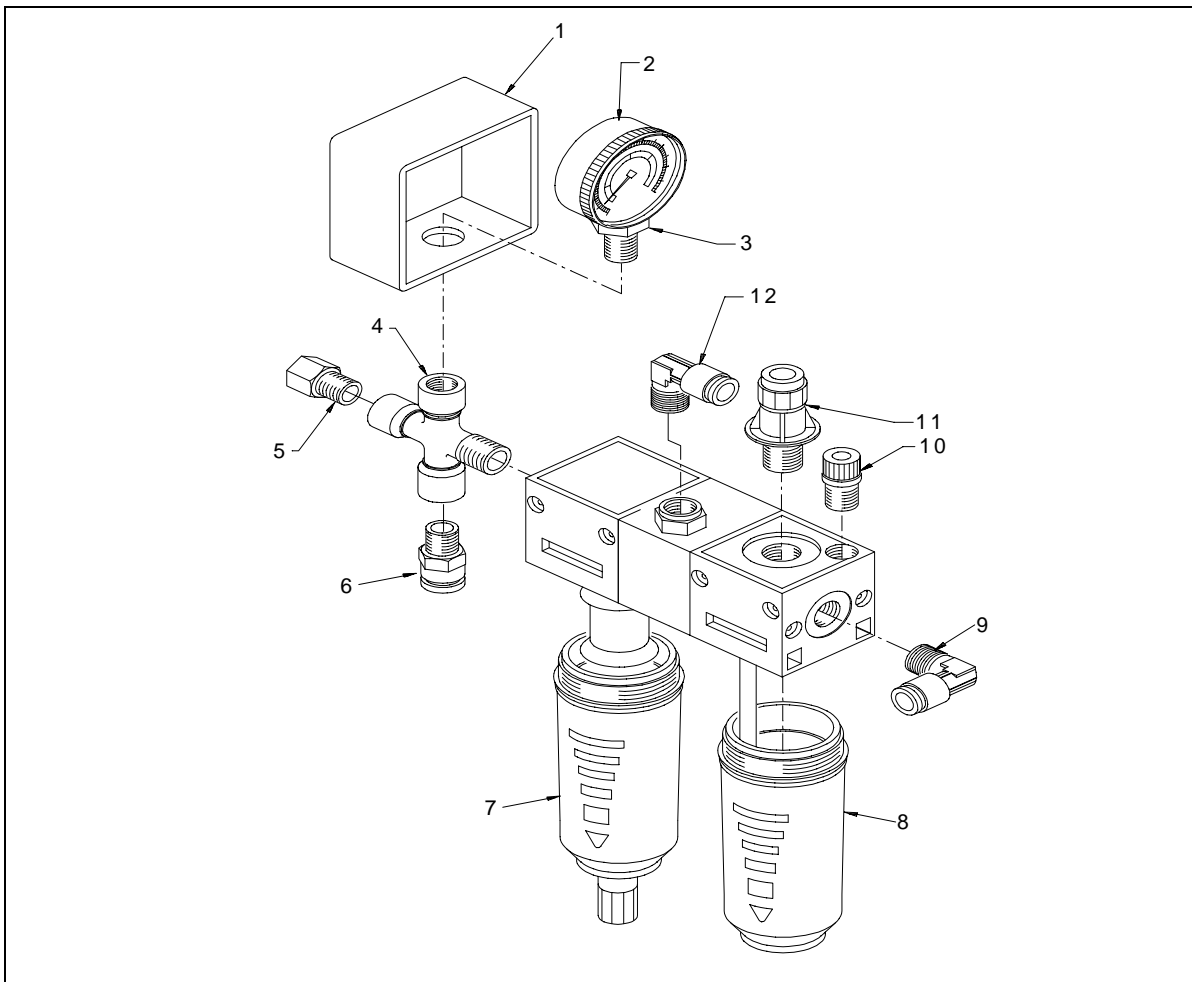
Item	Description	Part Number	Item	Description	Part Number
1	Bushing Support - Ring	ST0024077	5	Pad, clamp	ST0024050
2	Slide, Plastic	ST0024051	6	Screw, TE 6X30	ST7104049
3	Nut, Hex – M6	ST7020041	*	Bead Clamp Assembly	ST4024078
4	Washer 6X24	ST7021165			



## EEWH302A Motor Assembly

Item	Description	Part Number	Item	Description	Part Number
1	Key, 6X6X40	ST7025060	20	Washer, Shock Absorber	ST0010491
2	Bushing, Stop-Cylinder	ST0013165	21	Nut, M8 – Yellow Coated	ST7020015
3	Pully - 72T	ST0024199	22	Washer, D.8	ST7021015
4	Washer, D.6	ST7021042	23	Screw, TE 8X70	ST7105431
5	Screw, TE 6X100	ST7104599	24	Screw, TE 6X30	ST7104439
6	Ring, Snap-Shaft	ST7022179	25	Washer, Lock – D.6	ST7021119
7	Screw, STEI – 6X10	ST7704529	26	Screw STEI 6X10	ST7704529
8	Nut, S. Lock	ST7020189	27	Pulley, 16 toothed	ST0024198
9	Tang, 10X8X45	ST7025080	28	Plate, motor	ST0023206
10	Plug, Oil	ST0010088	29	Support, Motor reinforce	ST4020939
11	Screw, TE – 10X160	ST7106295	30	Nut, M10	ST7020125
12	Belt - toothed HTD	ST0024197	31	Washer, Stop – D.10	ST7021159
13	Gear Box	ST4013163	32	Washer d6.	ST7021041
14	Fitting, L - 8X10	ST0023224	33	Washer, Lock – D.6	ST7021119
15	Washer, D.10	ST7021025	34	Nut, Hex – M6	ST7020041
16	Washer, Stop – D.10	ST7021159	35	Motor Pneu.	ST0023243
17	Nut, M10	ST7020125	36	Muffler 1/4"	ST0005742
18	Nut, S. Lock	ST7020039	37	Fitting 1/4	ST0003638
19	Washer, D. 8X24	ST7021102	38	Valve - Exhaust	ST0009676





## Filter / Lubrifier Assembly

Item	Description	Part Number	Item	Description	Part Number
1	Protection, Manometer	ST0016435	8	Bowl lubricifier	ST0024467
2	Manometer, Radial	ST0014514	9	Fitting 8X10	ST0023994
3	Reduction, MF 3/8 – 1/8	ST0016432	10	Cap, Oil	ST4010687
4	Fitting 3/8	ST0014516	11	Cap, Flow Register	ST4010686
5	Fitting, MF 3/8	ST0019155	12	Fitting 6X8	ST0023210
6	Fitting Quick 8X10 - 3/8	ST0024177	*	Filter Lubrifier Assembly	ST4024363
7	Bowl filter	ST0024466			



**Notice:** The information contained in this document is subject to change without notice. Snap-on Incorporated makes no warranty with regard to this material. Snap-on Incorporated shall not be liable for errors contained herein or for incidental consequential damages in connection with furnishings, performance, or use of this material.

This document contains proprietary information which is protected by copyright and patents. All rights are reserved. No part of this document may be photocopied, reproduced, or translated without prior written consent of Snap-on Incorporated.

*Snap-on* is a registered trademark of Snap-on Incorporated