

EQUIPMENT SERVICE ON SITE

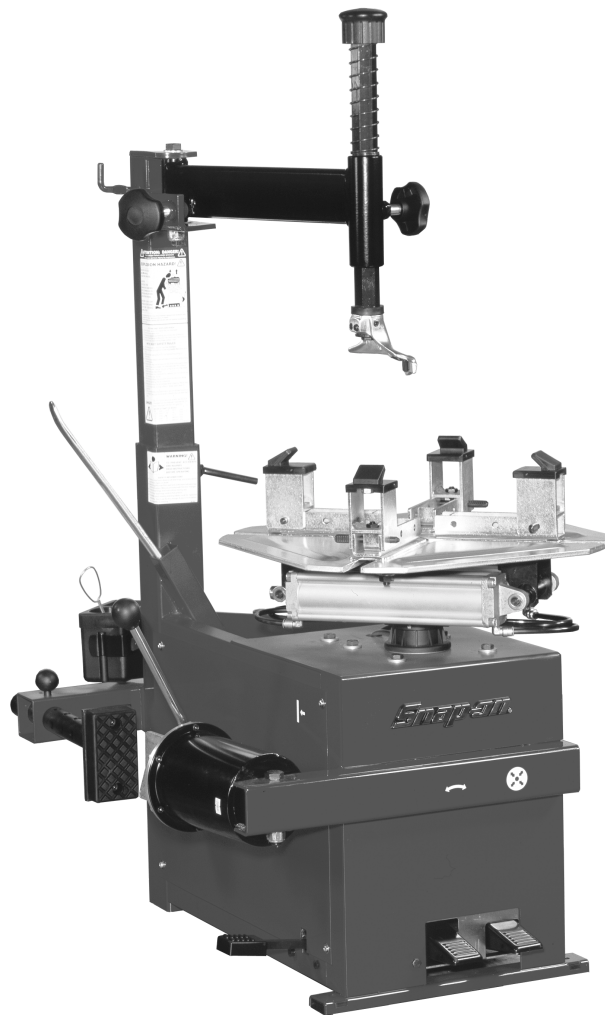
**EquiServ**®

*Providing Factory Service For  
Automotive Service Equipment*

MOTORCYCLE  
TIRE CHANGER

EEWH307A

## Parts Reference Manual

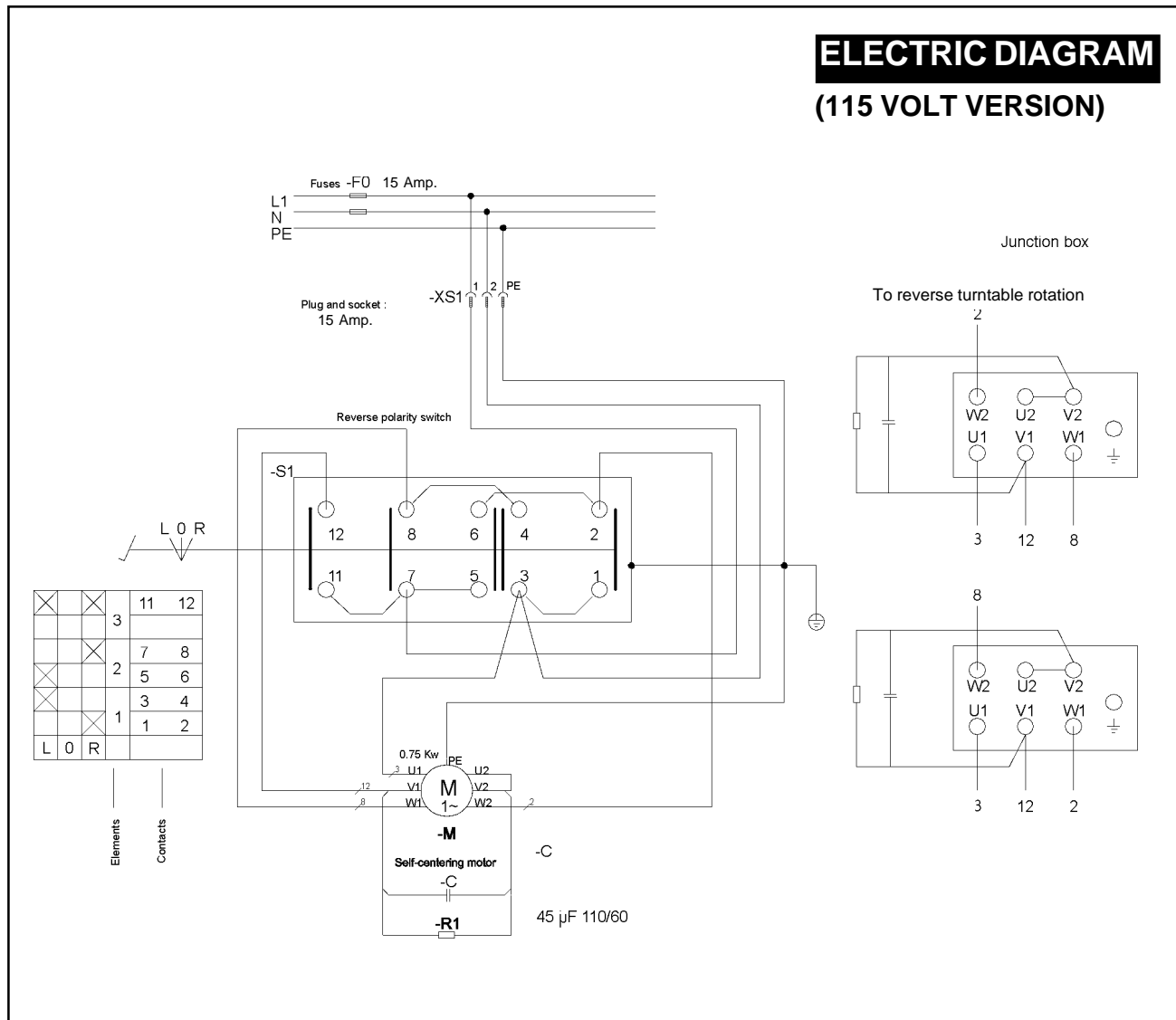


February 2001

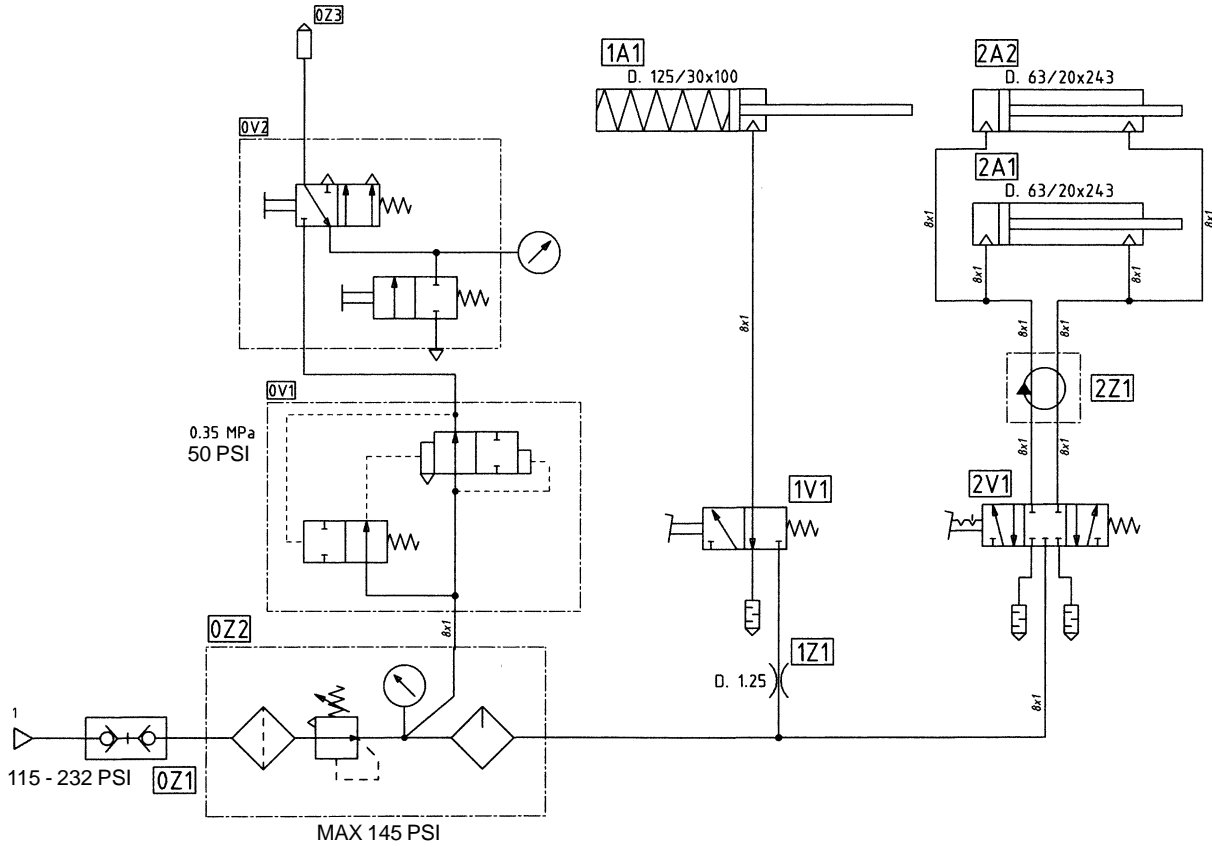
**All information contained or disclosed in this document is considered confidential and proprietary by Snap-on Tools Company. All manufacturing, use, reproduction, and sales rights are reserved by Snap-on Tools Company and the information contained herein shall not be used in whole or in part without the express written consent of Snap-on Tools Company.**



# ELECTRIC DIAGRAM (115 VOLT VERSION)



**P N E U M A T I C**



**0V1** Rapid inflation valve

**0V2** Tire inflating gun

**0Z1** Male rapid clutch

**0Z2** Water separator and pressure regulator + lubricator

**0Z3** Inflation head

**1A1** Bead breaking cylinder

**1V1** Bead breaking valve

**1Z1** Fix choke

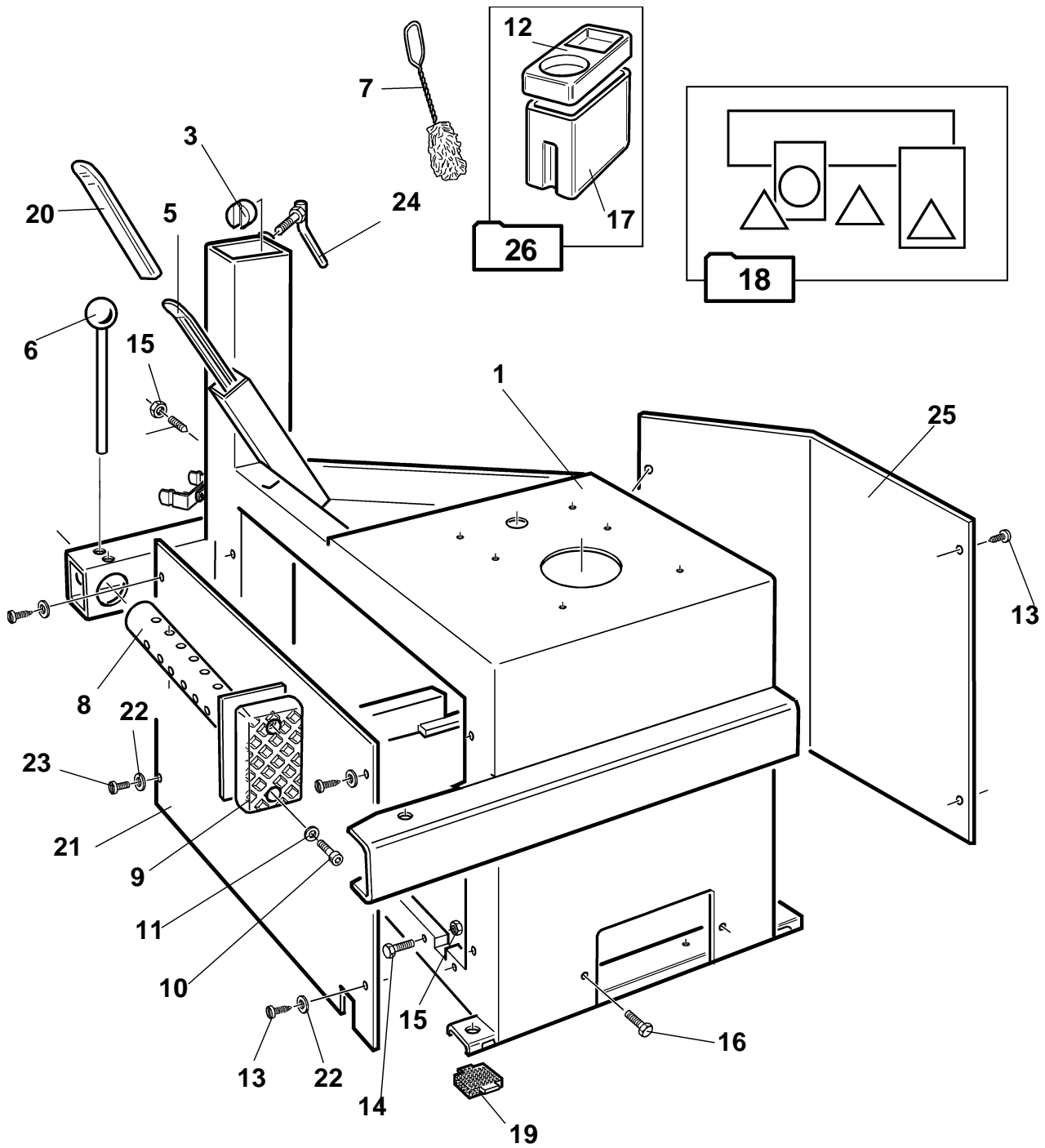
**2A1** Self-centering cylinder

**2A2** Self-centering cylinder

**2V1** Self-centering valve

**2Z1** Rotary union assembly

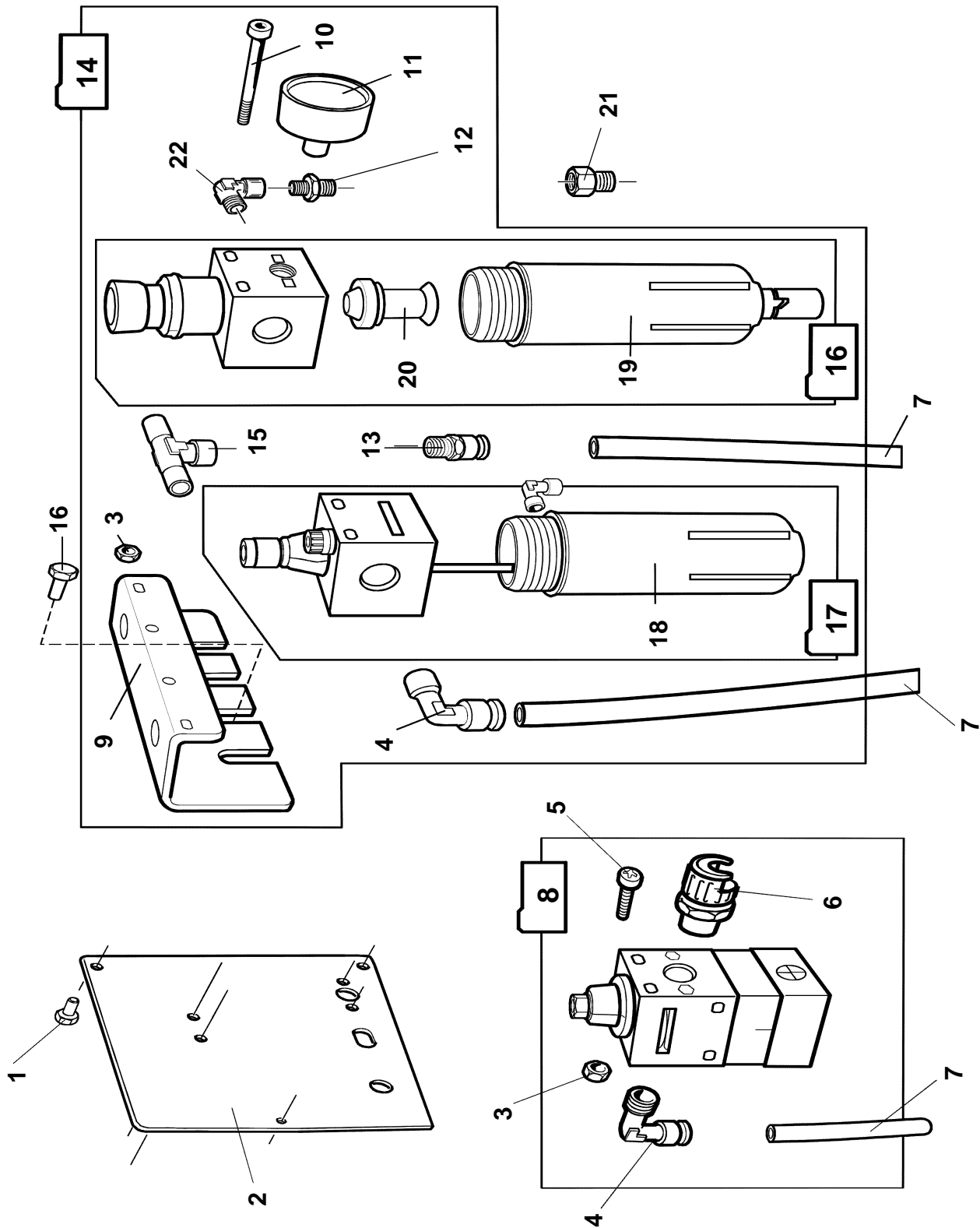
# BODY - CHASSIS



**BODY - CHASSIS**

1	1975232	BODY
2	1975233	HANDLE WITH SCREW
3	1975234	LOCKING BLOCK FOR VERTICAL POST
4	1975235	SCREW M 8X20
5	1975315	TIRE LEVER
6	1975237	LOCKING PIN
7	1975318	BRUSH
8	1975238	WHEEL SUPPORT
9	1975239	RUBBER PAD
10	1530093	SCREW M 8X16
11	1641080	WASHER Ø 8
12	1970033	COVER FOR TIRE PASTE CONTAINER
13	1532515	SCREW M 4,8X16
14	1530093	SCREW M 8X16
15	1555080	NUT M 8
16	1530091	SCREW M 8X12
17	1970034	TIRE PASTE CONTAINER
18	1975319	COMPLETE SET OF LABELS EEWH307A
19	1970731	PLASTIC INSERT OF FOOT
20	1975515	TIRE LEVER PROTECTION
21	1975302	LEFT PANEL
22	1640050	WASHER Ø 5,5X15
23	1506081	SCREW M 5X8
24	1975307	LOCKING LEVER
25	1975304	RIGHT PANEL
26	1970778	TIRE PASTE CONTAINER WITH COVER

# OILER / SEPARATOR / INFLATION VALVE





**OILER / SEPARATOR / INFLATION VALVE**

1	1530091	SCREW M 8X12
2	1975303	PLATE
3	1555040	NUT M 4
4	1976123	L-UNION 1/4" 8-6
5	1975170	SCREW M 4X45
6	1462250	BAYONET CONNECTION 1/4"
7	1480306	PNEUMATIC HOSE *
8	1975244	QUICK INFLATING VALVE
9	1975144	PNEUMATIC ASSEMBLY SUPPORT
10	1977142	SCREW M 4X50
11	1977016	PRESSURE GAUGE
12	1977191	UNION D8LR
13	1975166	QUICK UNION 1/4" 8-6
14	1975325	COMPLETE SERVICE UNIT
15	1977188	T-UNION 1/4"
16	1977209	WATER SEPARATOR AND PRESSURE REGULATOR
17	1977210	LUBRICATOR
18	1977213	LUBRICATOR TANK
19	1977212	WATER SEPARATOR
20	1977211	FILTER
21	1975316	SOCKET-JOINT 14X1,5
22	1486222	L-UNION 1/4"

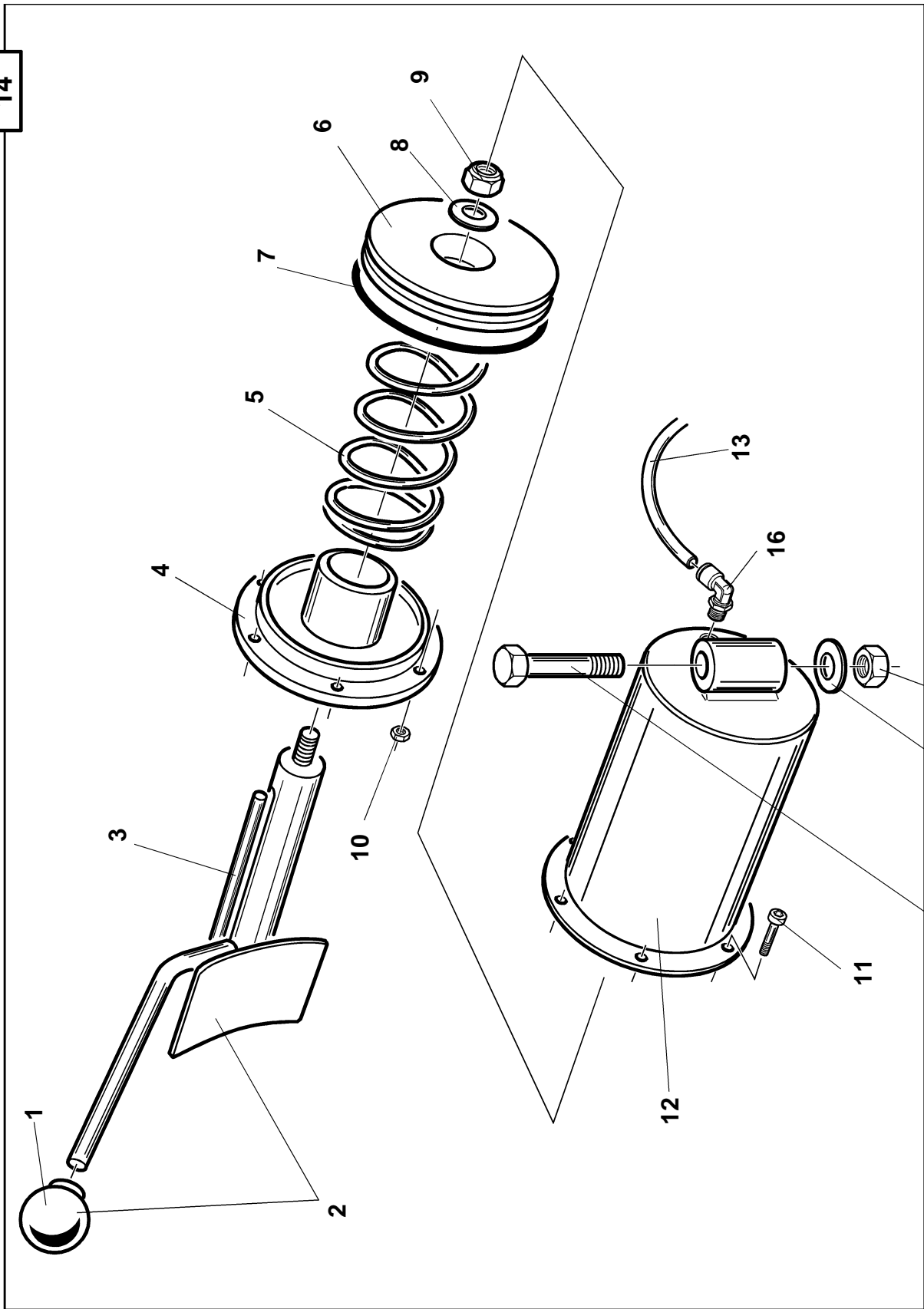


## TURNTABLE ASSEMBLY

1	1555080	NUT M 8
2	ACCESSORY	SET OF CLAMP PROTECTION (20+20 PIECES)
3	1970146	CLAMP
4	ACCESSORY	SET OF PROTECTION FOR CLAMP SUPPORT (8 PIECES)
5	ACCESSORY	SET OF SPACER FOR GO-KART WHEELS (4 PIECES)
6	1975248	CLAMP SUPPORT
7	1972420	SPHERIC POSITIONER M 10X16
8	1976575	LOW NUT M 10
9	1641100	TOOTH WASHER Ø 10
10	1530150	SCREW M 12X60
11	1975249	SCREW M 8X40
12	1975250	PEG
13	1975251	STROKE END PLATE
14	1975252	UPPER GUIDE
15	1975253	SLIDE
16	1975254	GUIDE
17	1975255	TURNTABLE CAP
18	1530210	SCREW M 16X1,5X40
19	1970526	TURNTABLE WASHER
20	1975256	TURNTABLE
21	1975257	SLIDING GUIDE WITH PIN
22	1657012	SEEGER RING Ø 12
23	1641130	WASHER Ø 12
24	1977029	SPACER FOR CONTROL PLATE
25	1975258	NUT M 12
26	1657065	CIRCLIP Ø 65
27	1975259	CONTROL PLATE
28	1975260	SLIDING GUIDE
29	1975261	BUSH
30	1975079	L-QUICK UNION 1/8" 8-6
31	1976546	SCREW M 8X25
32	1976671	REAR FLANGE FOR CYLINDER Ø 63
33	1976667	GASKET 1,78X63
34	1975262	CASING CYLINDER Ø 63
35	1977143	LOW NUT M 12
36	1976668	PISTON Ø 63
37	1976666	FRONT FLANGE FOR CYLINDER Ø 63
38	1975263	PISTON ROD
39	1976665	GUIDE FOR SHAFT Ø 20X20
40	1977050	LIPPED GASKET
41	1480306	PNEUMATIC HOSE *
42	1975264	SET OF GASKETS FOR CYLINDER Ø 63
43	1975265	COMPLETE CLAMPING CYLINDER
44	1975266	COMPLETE CHUCK

# BEAD BREAKER CYLINDER

14

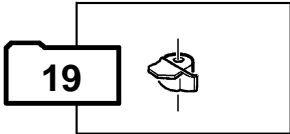
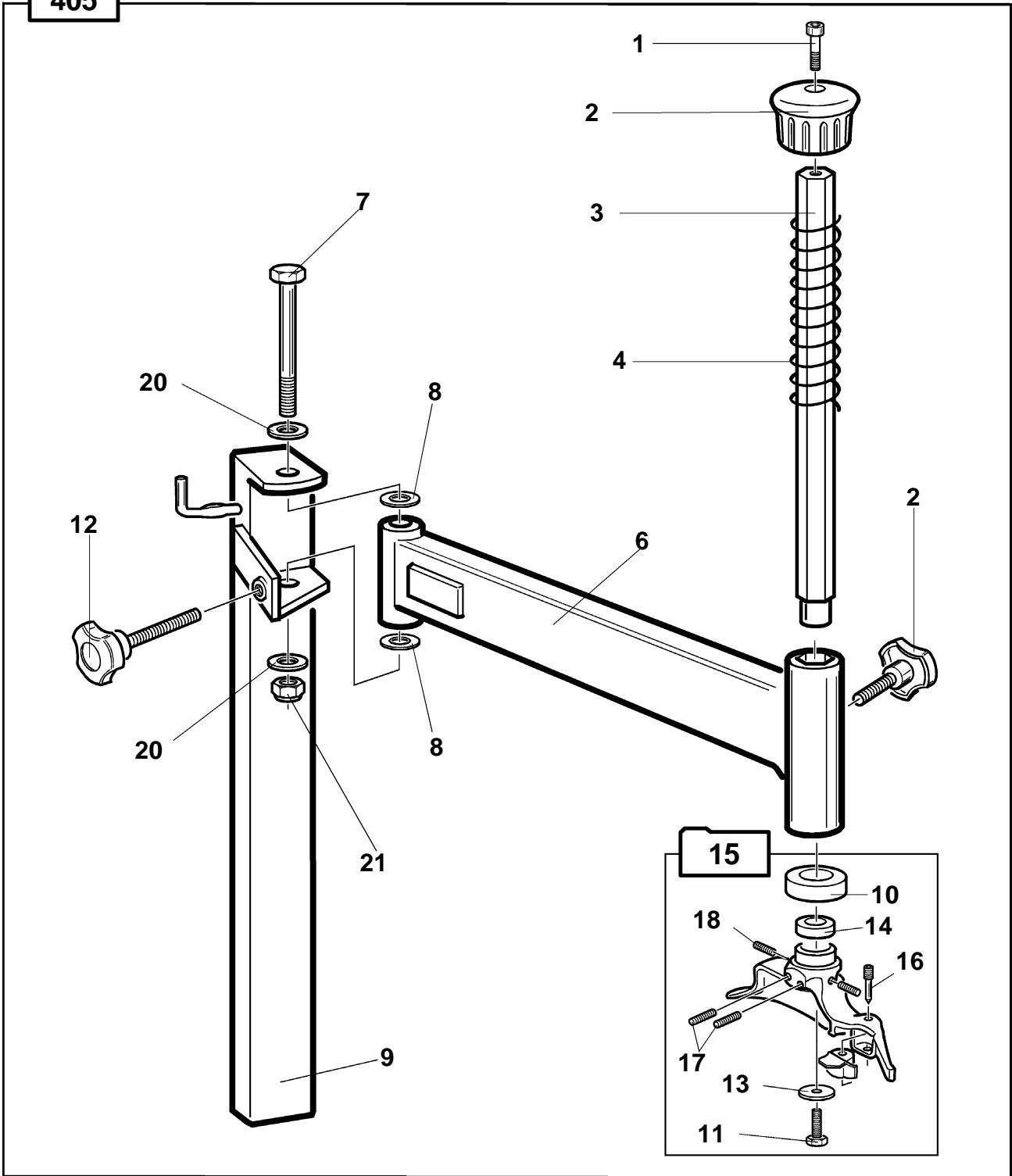


**BEAD BREAKER CYLINDER**

1	1811032	KNOB
2	1975267	MOTORCYCLE SHOVEL WITH KNOB
3	1975268	TONGUE
4	1975269	FRONT FLANGE CYLINDER Ø 125
5	1975270	SPRING
6	1975271	PISTON Ø 125
7	1972331	O-RING Ø 113,7X5,34
8	1977149	WASHER Ø 16
9	1977219	NUT M 16X1,5
10	1976126	NUT M 6
11	1977148	SCREW M 6X20
12	1975272	CASING CYLINDER Ø 125
13	1480306	PNEUMATIC HOSE *
14	1975273	CYLINDER Ø 125X100
15	1975274	SPECIAL SCREW M 16X1,5
16	1976123	L-UNION 1/4" 8-6

# MOUNT - DEMOUNT HEAD ASSEMBLY

405



**MOUNT - DEMOUNT HEAD ASSEMBLY**

1	1524062	SCREW M 8X30
2	1707530	KNOB
3	1975275	HEXAGONAL ARM FOR MOUNTING HEAD
4	1975306	VERTICAL ARM SPRING
5	1975284	COMPLETE MOUNTING COLUMN
6	1975277	SWINGING ARM
7	1975278	SPECIAL SCREW M 16X1,5
8	1977218	WASHER Ø 16,5X50X1,5
9	1975280	MOUNTING COLUMN
10	1975046	MOUNTING HEAD SHOCK ABSORBER
11	1530118	SCREW M 10X25
12	1975228	HANDLE WITH SCREW
13	1975308	WASHER Ø 10,5X33X5
14	1975309	SPACER Ø 36X28X8
15	1975310	MOTORCYCLE WHEELS MOUNTING HEAD
16	1975311	PIN
17	1975312	SCREW M 10X16
18	1975313	SCREW M 10X10
19	ACCESSORY	SET OF PLASTIC INSERT FOR HEAD (10 PIECES)
20	1977149	WASHER Ø 16
21	1977219	NUT M 16X1,5
22	1975233	HANDLE WITH SCREW

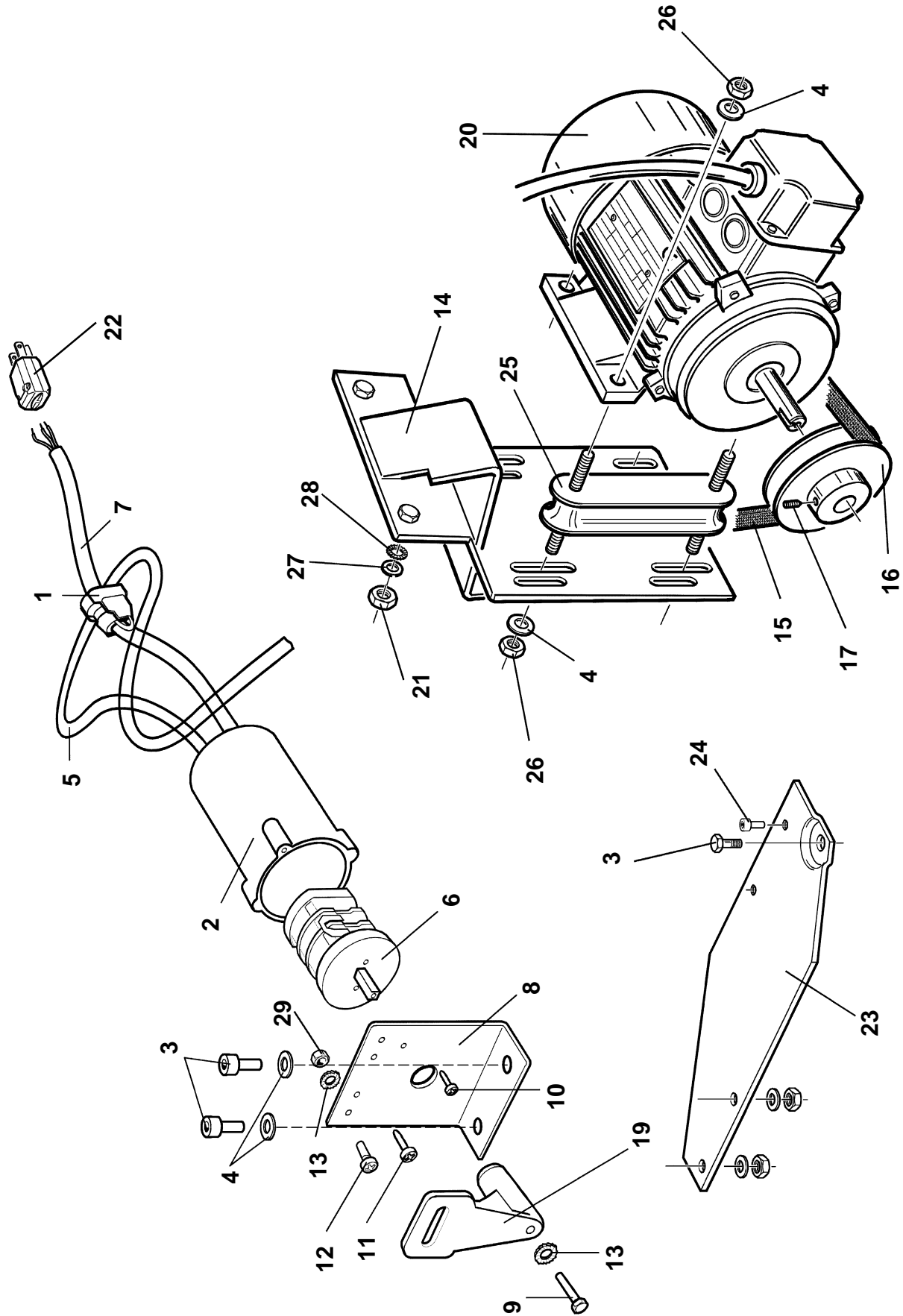




**DRIVE UNIT**

1	1976878	Y-UNION 1/8" Ø 8
2	1975180	SCREW FOR ROTATING UNION
3	1970691	O-RING 65X60X2,6
4	1975285	COMPLETE ROTATING UNION
5	1975286	COMPLETE GEARBOX
6	1530123	SCREW M 10X50
7	1976692	WASHER Ø 10X28X4
8	1524043	SCREW M 6X18
9	1977229	UPPER GEAR BOX HOUSING
10	1977090	ROLLER BEARING 6010
11	1556104	NUT M 10
12	1641100	WASHER Ø 10
13	1970095	PULLEY AT GEAR BOX SIDE
14	1977103	O-RING 2035/10
15	1977102	RING 34,52X3,53
16	1977092	ROLLER BEARING 30204
17	1692506	WOODRUFF KEY 6X9
18	1977101	WORM SCREW
19	1975052	GEAR WHEEL
20	1977099	PIN Ø 8X20
21	1977098	CAP Ø 35X8
22	1977230	LOWER GEAR BOX HOUSING
23	1555060	NUT M 6
24	1480306	PNEUMATIC HOSE *

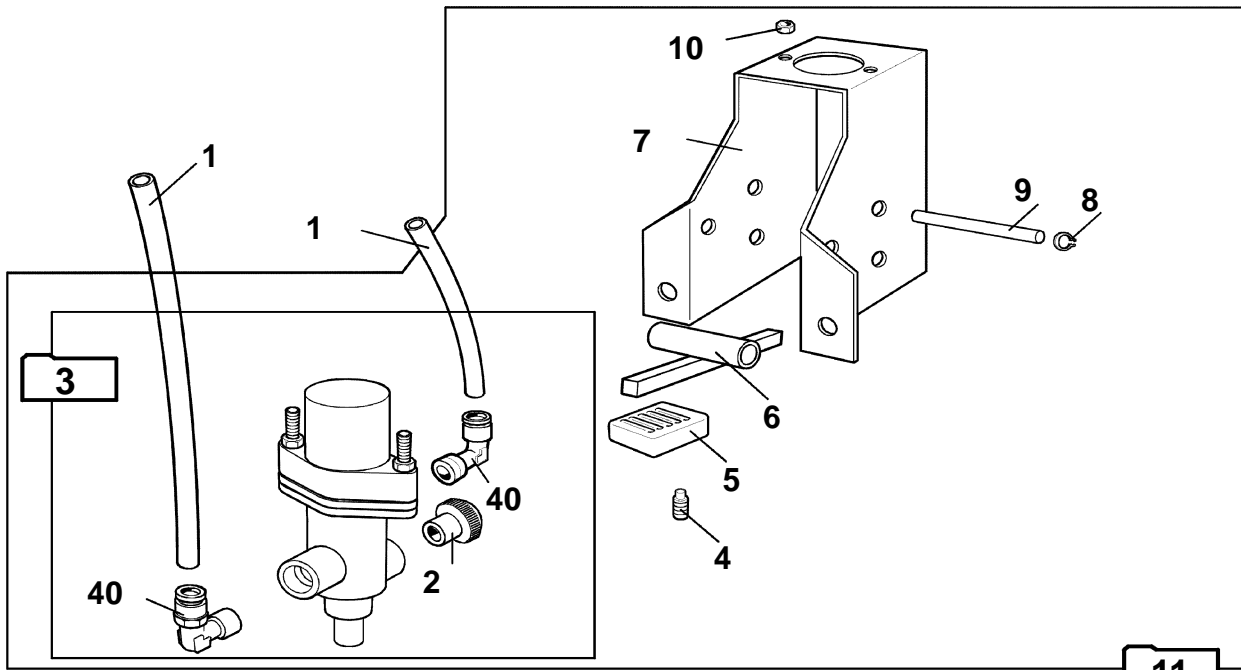
# ELECTRICAL SYSTEM



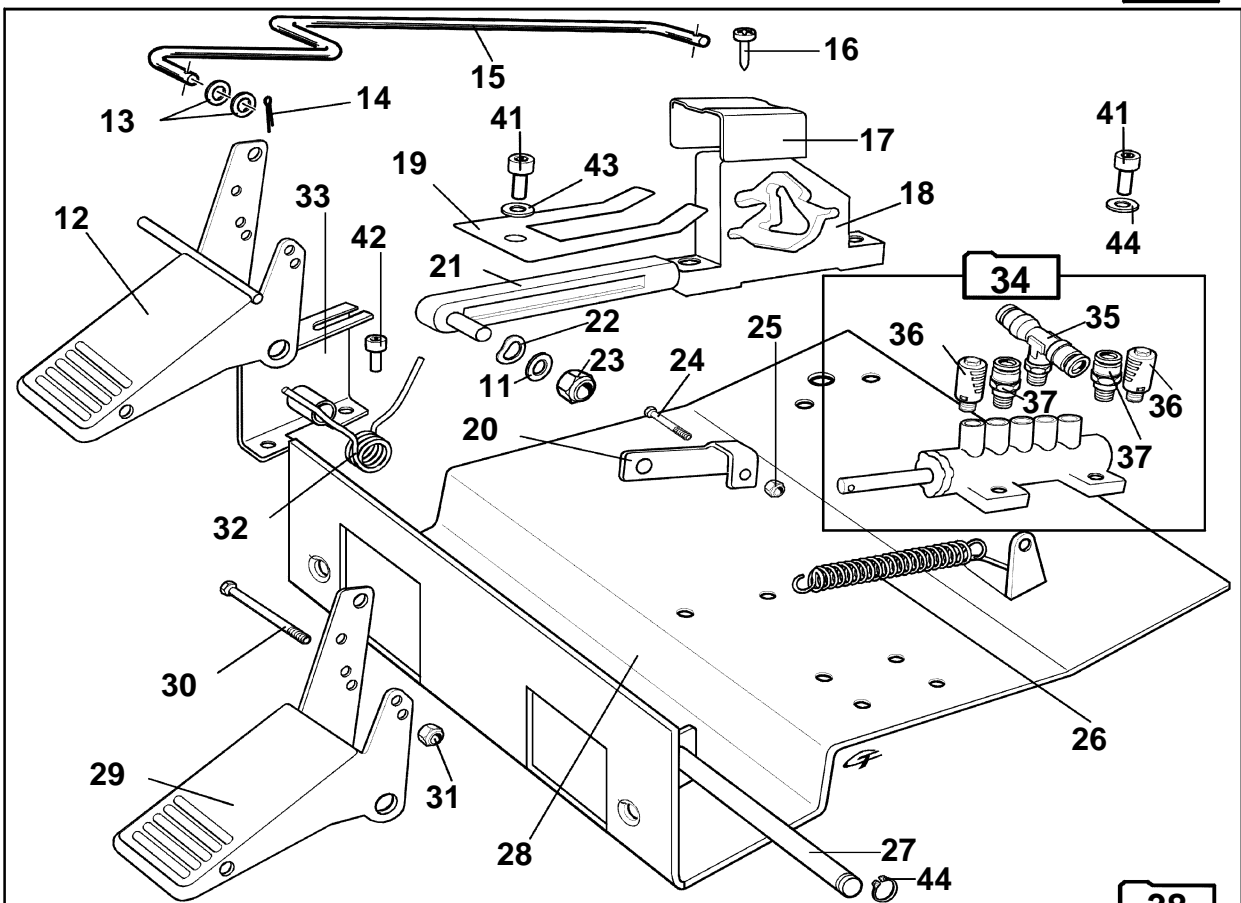
**ELECTRICAL SYSTEM**

1	1970043	CABLE HOLDER
2	1977247	REVERSE PROTECTION
3	1524041	SCREW M 6X12
4	1641060	WASHER Ø 6
5	1970699	1-PHASE MOTOR CONNECTING CABLE 110V
6	1970128	REVERSE
7	1970697	1 PH. LEAD-CABLE 110V
8	1975321	REVERSE SUPPORT
9	1530033	SCREW M 4X16
10	1506044	SCREW M 3X6
11	1532253	SCREW 3,5X12,7
12	1506063	SCREW M 4X10
13	1644004	TOOTH WASHER Ø 4
14	1975287	MOTOR MOUNTING PLATE
15	1970093	V-BELT A-23
16	1970539	MOTOR PULLEY
17	1970540	SCREW M 8X14
18	1530076	SCREW M 6X25
19	1970566	REVERSE LEVER
20	1975322	1 PH MOTOR 110V 60 HZ
21	1555100	NUT M 10
22	1975317	PLUG 1-PH
23	1975320	REVERSE PLATE
24	1530071	SCREW M 6X10
25	1975323	1-PH MOTOR SCHOCK ABSORBER
26	1555060	NUT M 6
27	1641100	WASHER Ø 10
28	1641100	TOOTH WASHER Ø 10
29	1555040	NUT M 4

# PEDAL ASSEMBLY



11

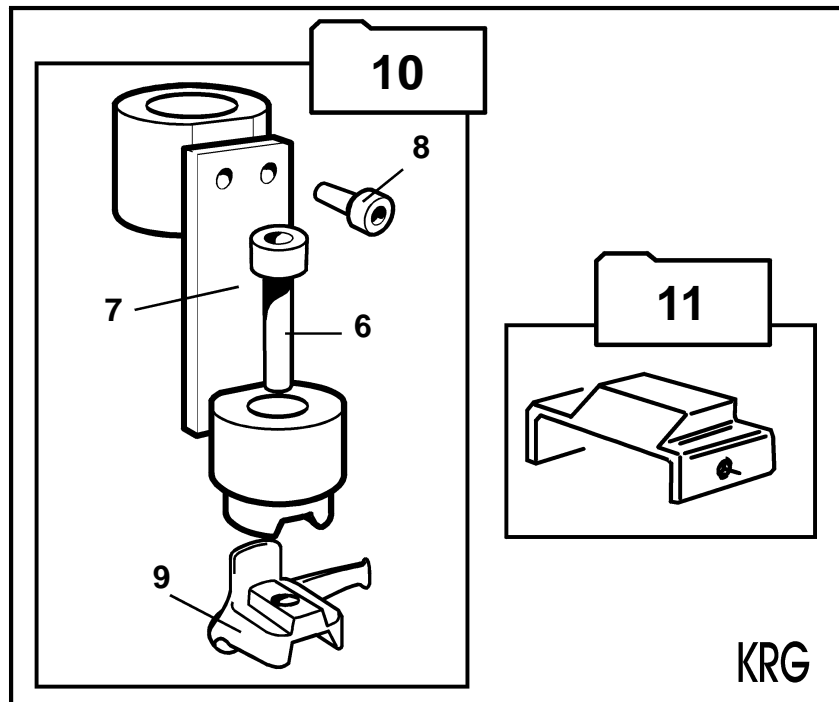
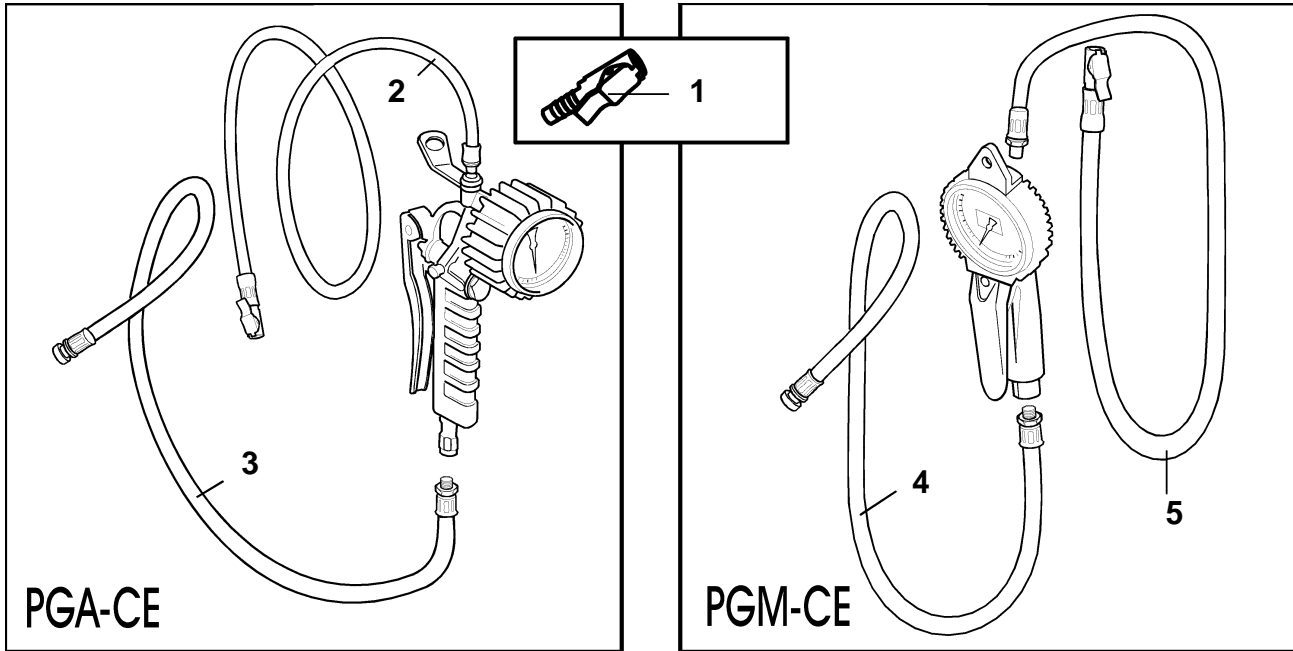


38

## PEDAL ASSEMBLY

1	1480306	PNEUMATIC HOSE *
2	1462250	SILENCER 1/4"
3	1975294	BEAD BREAKER VALVE
4	1975122	SCREW M 6X8
5	1975118	RUBBER PEDAL
6	1975295	BEAD BREAKER PEDAL
7	1977237	VALVE HOLDER
8	1975211	RING Ø 8
9	1975210	PIN
10	1555050	NUT M 5
11	1975296	COMPLETE BEAD BREAKER PEDAL
12	1975297	PEDAL FOR CHUCK ROTATION
13	1640060	WASHER Ø 6X18
14	1681008	COTTER PIN Ø 2X20
15	1975324	REVERSE CONNECTING ROD
16	1975102	SCREW 2,9X6,5
17	1975073	CONNECTING ROD GUIDE
18	1970572	TRIP CAM
19	1970587	FORK LEAF SPRING
20	1975072	CONNECTING ROD
21	1970573	CAM CONNECTING ROD
22	1647080	WASHER Ø 8
23	1557080	NUT M 8
24	1530134	SCREW M 4X25
25	1557041	NUT M 4
26	1975071	SPRING FOR PEDALS RETURN
27	1977234	PEDAL PIN
28	1977235	PEDAL BASE
29	1975068	LEFT PEDAL
30	1975101	SCREW M 6X60
31	1557061	NUT M 6
32	1970125	PEDAL SPRING
33	1975066	SUPPORT FOR REVERSE PEDAL
34	1975074	VALVE FOR CHUCK
35	1975077	T-QUICK UNION 1/8" Ø 8
36	1422003	SILENCER 1/8"
37	1975076	QUICK UNION 1/8" 8-6
38	1975326	COMPLETE PEDALS
39	1641080	WASHER Ø 8
40	1976123	L-UNION 1/4" 8-6
41	1524043	SCREW M 6X18
42	1524041	SCREW M 6X12
43	1641060	WASHER Ø 6
44	1657012	SEEGER RING Ø 12

### AIR INFLATION SYSTEM - MOTORCYCLE JAWS



**AIR INFLATION SYSTEM - MOTORCYCLE JAWS**

1	1480841	INFLATING VALVE
2	1423153	INFLATING HOSE ASSY
3	1977249	AIR INLET HOSE WITH UNIONS
4	1977250	AIR INLET HOSE WITH UNIONS
5	1970099	INFLATING HOSE ASSY
6	1524104	SCREW M 12X40
7	1975299	MOUNTING HEAD HOLDER
8	1975300	SCREW M 10X30
9	1970773	CLAW FOR MOTORCYCLE
10	1975301	COMPLETE MOUNTING HEAD
11	ACCESSORY	SET OF SPACER FOR GO-KART WHEELS (4 PIECES)





## PARTS IN ALPHABETICAL ORDER

<u>DESCRIPTION</u>	<u>PART NUMBER</u>
1 PH MOTOR 110V 60 HZ	1975322
1 PH. LEAD-CABLE 110V	1970697
1-PH MOTOR SCHOCK ABSORBER	1975323
1-PHASE MOTOR CONNECTING CABLE 110V	1970699
AIR INLET HOSE WITH UNIONS	1977249
AIR INLET HOSE WITH UNIONS	1977250
BAYONET CONNECTION 1/4"	1462250
BEAD BREAKER PEDAL	1975295
BEAD BREAKER VALVE	1975294
BODY	1975232
BRUSH	1975318
BUSH	1975261
CABLE HOLDER	1970043
CAM CONNECTING ROD	1970573
CAP Ø 35X8	1977098
CASING CYLINDER Ø 125	1975272
CASING CYLINDER Ø 63	1975262
CIRCLIP Ø 65	1657065
CLAMP	1970146
CLAMP SUPPORT	1975248
CLAW FOR MOTORCYCLE	1970773
COMPLETE BEAD BREAKER PEDAL	1975296
COMPLETE CHUCK	1975266
COMPLETE CLAMPING CYLINDER	1975265
COMPLETE GEARBOX	1975286
COMPLETE MOUNTING COLUMN	1975284
COMPLETE MOUNTING HEAD	1975301
COMPLETE PEDALS	1975326
COMPLETE ROTATING UNION	1975285
COMPLETE SERVICE UNIT	1975325
COMPLETE SET OF LABELS EEWH307A	1975319
CONNCTING ROD	1975072
CONNECTING ROD GUIDE	1975073
CONTROL PLATE	1975259
COTTER PIN Ø 2X20	1681008
COVER FOR TIRE PASTE CONTAINER	1970033
CYLINDER Ø 125X100	1975273
FILTER	1977211
FORK LEAF SPRING	1970587
FRONT FLANGE CYLINDER Ø 125	1975269
FRONT FLANGE FOR CYLINDER Ø 63	1976666
GASKET 1,78X63	1976667
GEAR WHEEL	1975052
GUIDE	1975254
GUIDE FOR SHAFT Ø 20X20	1976665
HANDLE WITH SCREW	1975228
HANDLE WITH SCREW	1975233
HEXAGONAL ARM FOR MOUNTING HEAD	1975275
INFLATING HOSE ASSY	1423153
INFLATING HOSE ASSY	1970099
INFLATING VALVE	1480841
KNOB	1707530
KNOB	1811032
LEFT PANEL	1975302

**SNAP-ON EEWH307A - PARTS**

<b>DESCRIPTION</b>	<b>PART NUMBER</b>
LEFT PEDAL	1975068
LIPPED GASKET	1977050
LOCKING BLOCK FOR VERTICAL POST	1975234
LOCKING LEVER	1975307
LOCKING PIN	1975237
LOW NUT M 10	1976575
LOW NUT M 12	1977143
LOWER GEAR BOX HOUSING	1977230
L-QUICK UNION 1/8" 8-6	1975079
LUBRICATOR	1977210
LUBRICATOR TANK	1977213
L-UNION 1/4"	1486222
L-UNION 1/4" 8-6	1976123
MOTOR MOUNTING PLATE	1975287
MOTOR PULLEY	1970539
MOTORCYCLE SHOVEL WITH KNOB	1975267
MOTORCYCLE WHEELS MOUNTING HEAD	1975310
MOUNTING COLUMN	1975280
MOUNTING HEAD HOLDER	1975299
MOUNTING HEAD SHOCK ABSORBER	1975046
NUT M 10	1555100
NUT M 10	1556104
NUT M 12	1975258
NUT M 16X1,5	1977219
NUT M 16X1,5	1977219
NUT M 4	1555040
NUT M 4	1557041
NUT M 5	1555050
NUT M 6	1555060
NUT M 6	1557061
NUT M 6	1976126
NUT M 8	1555080
NUT M 8	1557080
O-RING 2035/10	1977103
O-RING 65X60X2,6	1970691
O-RING Ø 113,7X5,34	1972331
PEDAL BASE	1977235
PEDAL FOR CHUCK ROTATION	1975297
PEDAL PIN	1977234
PEDAL SPRING	1970125
PEG	1975250
PIN	1975210
PIN	1975311
PIN Ø 8X20	1977099
PISTON Ø 125	1975271
PISTON Ø 63	1976668
PISTON ROD	1975263
PLASTIC INSERT OF FOOT	1970731
PLATE	1975303
PLUG 1-PH	1975317
PNEUMATIC ASSEMBLY SUPPORT	1975144
PNEUMATIC HOSE *	1480306
PRESSURE GAUGE	1977016
PULLEY AT GEAR BOX SIDE	1970095
QUICK INFLATING VALVE	1975244

<b>DESCRIPTION</b>	<b>PART NUMBER</b>
QUICK UNION 1/4" 8-6	1975166
QUICK UNION 1/8" 8-6	1975076
REAR FLANGE FOR CYLINDER Ø 63	1976671
REVERSE	1970128
REVERSE CONNECTING ROD	1975324
REVERSE LEVER	1970566
REVERSE PLATE	1975320
REVERSE PROTECTION	1977247
REVERSE SUPPORT	1975321
RIGHT PANEL	1975304
RING 34,52X3,53	1977102
RING Ø 8	1975211
ROLLER BEARING 30204	1977092
ROLLER BEARING 6010	1977090
RUBBER PAD	1975239
RUBBER PEDAL	1975118
SCREW 2,9X6,5	1975102
SCREW 3,5X12,7	1532253
SCREW FOR ROTATING UNION	1975180
SCREW M 10X10	1975313
SCREW M 10X16	1975312
SCREW M 10X25	1530118
SCREW M 10X30	1975300
SCREW M 10X50	1530123
SCREW M 12X40	1524104
SCREW M 12X60	1530150
SCREW M 16X1,5X40	1530210
SCREW M 3X6	1506044
SCREW M 4,8X16	1532515
SCREW M 4X10	1506063
SCREW M 4X16	1530033
SCREW M 4X25	1530134
SCREW M 4X45	1975170
SCREW M 4X50	1977142
SCREW M 5X8	1506081
SCREW M 6X10	1530071
SCREW M 6X12	1524041
SCREW M 6X18	1524043
SCREW M 6X20	1977148
SCREW M 6X25	1530076
SCREW M 6X60	1975101
SCREW M 6X8	1975122
SCREW M 8X12	1530091
SCREW M 8X14	1970540
SCREW M 8X16	1530093
SCREW M 8X20	1975235
SCREW M 8X25	1976546
SCREW M 8X30	1524062
SCREW M 8X40	1975249
SEEGER RING Ø 12	1657012
SET OF CLAMP PROTECTION (20+20 PIECES)	ACCESSORY
SET OF GASKETS FOR CYLINDER Ø 63	1975264
SET OF PLASTIC INSERT FOR HEAD (10 PIECES)	ACCESSORY
SET OF PROTECTION FOR CLAMP SUPPORT (8 PIECES)	ACCESSORY
SET OF SPACER FOR GO-KART WHEELS (4 PIECES)	ACCESSORY

**SNAP-ON EEWH307A - PARTS**

<b>DESCRIPTION</b>	<b>PART NUMBER</b>
SET OF SPACER FOR GO-KART WHEELS (4 PIECES)	ACCESSORY
SILENCER 1/8"	1422003
SLIDE	1975253
SLIDING GUIDE	1975260
SLIDING GUIDE WITH PIN	1975257
SOCKET-JOINT 14X1,5	1975316
SPACER FOR CONTROL PLATE	1977029
SPACER Ø 36X28X8	1975309
SPECIAL SCREW M 16X1,5	1975274
SPECIAL SCREW M 16X1,5	1975278
SPHERIC POSITIONER M 10X16	1972420
SPRING	1975270
SPRING FOR PEDALS RETURN	1975071
STROKE END PLATE	1975251
SUPPORT FOR REVERSE PEDAL	1975066
SWINGING ARM	1975277
TIRE LEVER	1975315
TIRE LEVER PROTECTION	1975515
TIRE PASTE CONTAINER	1970034
TIRE PASTE CONTAINER WITH COVER	1970778
TONGUE	1975268
TOOTH WASHER Ø 10	1641100
TOOTH WASHER Ø 4	1644004
T-QUICK UNION 1/8" Ø 8	1975077
TRIP CAM	1970572
T-UNION 1/4"	1977188
TURNTABLE	1975256
TURNTABLE CAP	1975255
TURNTABLE WASHER	1970526
UNION D8LR	1977191
UPPER GEAR BOX HOUSING	1977229
UPPER GUIDE	1975252
VALVE FOR CHUCK	1975074
VALVE HOLDER	1977237
V-BELT A-23	1970093
VERTICAL ARM SPRING	1975306
WASHER Ø 10,5X33X5	1975308
WASHER Ø 10X28X4	1976692
WASHER Ø 12	1641130
WASHER Ø 16	1977149
WASHER Ø 16,5X50X1,5	1977218
WASHER Ø 5,5X15	1640050
WASHER Ø 6X18	1640060
WASHER Ø 8	1641080
WASHER Ø 8	1647080
WATER SEPARATOR	1977212
WATER SEPARATOR AND PRESSURE REGULATOR	1977209
WHEEL SUPPORT	1975238
WOODRUFF KEY 6X9	1692506
WORM SCREW	1977101
Y-UNION 1/8" Ø 8	1976878

## PARTS IN NUMERICAL ORDER

<u>PART NUMBER</u>	<u>DESCRIPTION</u>
1422003	SILENCER 1/8"
1423153	INFLATING HOSE ASSY
1462250	BAYONET CONNECTION 1/4"
1480306	PNEUMATIC HOSE *
1480841	INFLATING VALVE
1486222	L-UNION 1/4"
1506044	SCREW M 3X6
1506063	SCREW M 4X10
1506081	SCREW M 5X8
1524041	SCREW M 6X12
1524043	SCREW M 6X18
1524062	SCREW M 8X30
1524104	SCREW M 12X40
1530033	SCREW M 4X16
1530071	SCREW M 6X10
1530076	SCREW M 6X25
1530091	SCREW M 8X12
1530093	SCREW M 8X16
1530118	SCREW M 10X25
1530123	SCREW M 10X50
1530134	SCREW M 4X25
1530150	SCREW M 12X60
1530210	SCREW M 16X1,5X40
1532253	SCREW 3,5X12,7
1532515	SCREW M 4,8X16
1555040	NUT M 4
1555050	NUT M 5
1555060	NUT M 6
1555080	NUT M 8
1555100	NUT M 10
1556104	NUT M 10
1557041	NUT M 4
1557061	NUT M 6
1557080	NUT M 8
1640050	WASHER Ø 5,5X15
1640060	WASHER Ø 6X18
1641080	WASHER Ø 8
1641100	TOOTH WASHER Ø 10
1641130	WASHER Ø 12
1644004	TOOTH WASHER Ø 4
1647080	WASHER Ø 8
1657012	SEEGER RING Ø 12
1657065	CIRCLIP Ø 65
1681008	COTTER PIN Ø 2X20
1692506	WOODRUFF KEY 6X9
1707530	KNOB
1811032	KNOB
1970033	COVER FOR TIRE PASTE CONTAINER
1970034	TIRE PASTE CONTAINER
1970043	CABLE HOLDER
1970093	V-BELT A-23
1970095	PULLEY AT GEAR BOX SIDE
1970099	INFLATING HOSE ASSY

**SNAP-ON EEWH307A - PARTS**

<b>PART NUMBER</b>	<b>DESCRIPTION</b>
1970125	PEDAL SPRING
1970128	REVERSE
1970146	CLAMP
1970526	TURNTABLE WASHER
1970539	MOTOR PULLEY
1970540	SCREW M 8X14
1970566	REVERSE LEVER
1970572	TRIP CAM
1970573	CAM CONNECTING ROD
1970587	FORK LEAF SPRING
1970691	O-RING 65X60X2,6
1970697	1 PH. LEAD-CABLE 110V
1970699	1-PHASE MOTOR CONNECTING CABLE 110V
1970731	PLASTIC INSERT OF FOOT
1970773	CLAW FOR MOTORCYCLE
1970778	TIRE PASTE CONTAINER WITH COVER
1972331	O-RING Ø 113,7X5,34
1972420	SPHERIC POSITIONER M 10X16
1975046	MOUNTING HEAD SHOCK ABSORBER
1975052	GEAR WHEEL
1975066	SUPPORT FOR REVERSE PEDAL
1975068	LEFT PEDAL
1975071	SPRING FOR PEDALS RETURN
1975072	CONNCTING ROD
1975073	CONNECTING ROD GUIDE
1975074	VALVE FOR CHUCK
1975076	QUICK UNION 1/8" 8-6
1975077	T-QUICK UNION 1/8" Ø 8
1975079	L-QUICK UNION 1/8" 8-6
1975101	SCREW M 6X60
1975102	SCREW 2,9X6,5
1975118	RUBBER PEDAL
1975122	SCREW M 6X8
1975144	PNEUMATIC ASSEMBLY SUPPORT
1975166	QUICK UNION 1/4" 8-6
1975170	SCREW M 4X45
1975180	SCREW FOR ROTATING UNION
1975210	PIN
1975211	RING Ø 8
1975228	HANDLE WITH SCREW
1975232	BODY
1975233	HANDLE WITH SCREW
1975234	LOCKING BLOCK FOR VERTICAL POST
1975235	SCREW M 8X20
1975237	LOCKING PIN
1975238	WHEEL SUPPORT
1975239	RUBBER PAD
1975244	QUICK INFLATING VALVE
1975248	CLAMP SUPPORT
1975249	SCREW M 8X40
1975250	PEG
1975251	STROKE END PLATE
1975252	UPPER GUIDE
1975253	SLIDE
1975254	GUIDE
1975255	TURNTABLE CAP

<b>PART NUMBER</b>	<b>DESCRIPTION</b>
1975256	TURNTABLE
1975257	SLIDING GUIDE WITH PIN
1975258	NUT M 12
1975259	CONTROL PLATE
1975260	SLIDING GUIDE
1975261	BUSH
1975262	CASING CYLINDER Ø 63
1975263	PISTON ROD
1975264	SET OF GASKETS FOR CYLINDER Ø 63
1975265	COMPLETE CLAMPING CYLINDER
1975266	COMPLETE CHUCK
1975267	MOTORCYCLE SHOVEL WITH KNOB
1975268	TONGUE
1975269	FRONT FLANGE CYLINDER Ø 125
1975270	SPRING
1975271	PISTON Ø 125
1975272	CASING CYLINDER Ø 125
1975273	CYLINDER Ø 125X100
1975274	SPECIAL SCREW M 16X1,5
1975275	HEXAGONAL ARM FOR MOUNTING HEAD
1975277	SWINGING ARM
1975278	SPECIAL SCREW M 16X1,5
1975280	MOUNTING COLUMN
1975284	COMPLETE MOUNTING COLUMN
1975285	COMPLETE ROTATING UNION
1975286	COMPLETE GEARBOX
1975287	MOTOR MOUNTING PLATE
1975294	BEAD BREAKER VALVE
1975295	BEAD BREAKER PEDAL
1975296	COMPLETE BEAD BREAKER PEDAL
1975297	PEDAL FOR CHUCK ROTATION
1975299	MOUNTING HEAD HOLDER
1975300	SCREW M 10X30
1975301	COMPLETE MOUNTING HEAD
1975302	LEFT PANEL
1975303	PLATE
1975304	RIGHT PANEL
1975306	VERTICAL ARM SPRING
1975307	LOCKING LEVER
1975308	WASHER Ø 10,5X33X5
1975309	SPACER Ø 36X28X8
1975310	MOTORCYCLE WHEELS MOUNTING HEAD
1975311	PIN
1975312	SCREW M 10X16
1975313	SCREW M 10X10
1975315	TIRE LEVER
1975316	SOCKET-JOINT 14X1,5
1975317	PLUG 1-PH
1975318	BRUSH
1975319	COMPLETE SET OF LABELS EEW307A
1975320	REVERSE PLATE
1975321	REVERSE SUPPORT
1975322	1 PH MOTOR 110V 60 HZ
1975323	1-PH MOTOR SCHOCK ABSORBER
1975324	REVERSE CONNECTING ROD

**SNAP-ON EEWH307A - PARTS**

<b>PART NUMBER</b>	<b>DESCRIPTION</b>
1975325	COMPLETE SERVICE UNIT
1975326	COMPLETE PEDALS
1975515	TIRE LEVER PROTECTION
1976123	L-UNION 1/4" 8-6
1976126	NUT M 6
1976546	SCREW M 8X25
1976575	LOW NUT M 10
1976665	GUIDE FOR SHAFT Ø 20X20
1976666	FRONT FLANGE FOR CYLINDER Ø 63
1976667	GASKET 1,78X63
1976668	PISTON Ø 63
1976671	REAR FLANGE FOR CYLINDER Ø 63
1976692	WASHER Ø 10X28X4
1976878	Y-UNION 1/8" Ø 8
1977016	PRESSURE GAUGE
1977029	SPACER FOR CONTROL PLATE
1977050	LIPPED GASKET
1977090	ROLLER BEARING 6010
1977092	ROLLER BEARING 30204
1977098	CAP Ø 35X8
1977099	PIN Ø 8X20
1977101	WORM SCREW
1977102	RING 34,52X3,53
1977103	O-RING 2035/10
1977142	SCREW M 4X50
1977143	LOW NUT M 12
1977148	SCREW M 6X20
1977149	WASHER Ø 16
1977188	T-UNION 1/4"
1977191	UNION D8LR
1977209	WATER SEPARATOR AND PRESSURE REGULATOR
1977210	LUBRICATOR
1977211	FILTER
1977212	WATER SEPARATOR
1977213	LUBRICATOR TANK
1977218	WASHER Ø 16,5X50X1,5
1977219	NUT M 16X1,5
1977219	NUT M 16X1,5
1977229	UPPER GEAR BOX HOUSING
1977230	LOWER GEAR BOX HOUSING
1977234	PEDAL PIN
1977235	PEDAL BASE
1977237	VALVE HOLDER
1977247	REVERSE PROTECTION
1977249	AIR INLET HOSE WITH UNIONS
1977250	AIR INLET HOSE WITH UNIONS
ACCESSORY	SET OF CLAMP PROTECTION (20+20 PIECES)
ACCESSORY	SET OF PROTECTION FOR CLAMP SUPPORT (8 PIECES)
ACCESSORY	SET OF SPACER FOR GO-KART WHEELS (4 PIECES)
ACCESSORY	SET OF PLASTIC INSERT FOR HEAD (10 PIECES)
ACCESSORY	SET OF SPACER FOR GO-KART WHEELS (4 PIECES)





EQUIPMENT SERVICE ON SITE



355 Exchange Avenue  
Conway, AR 72032