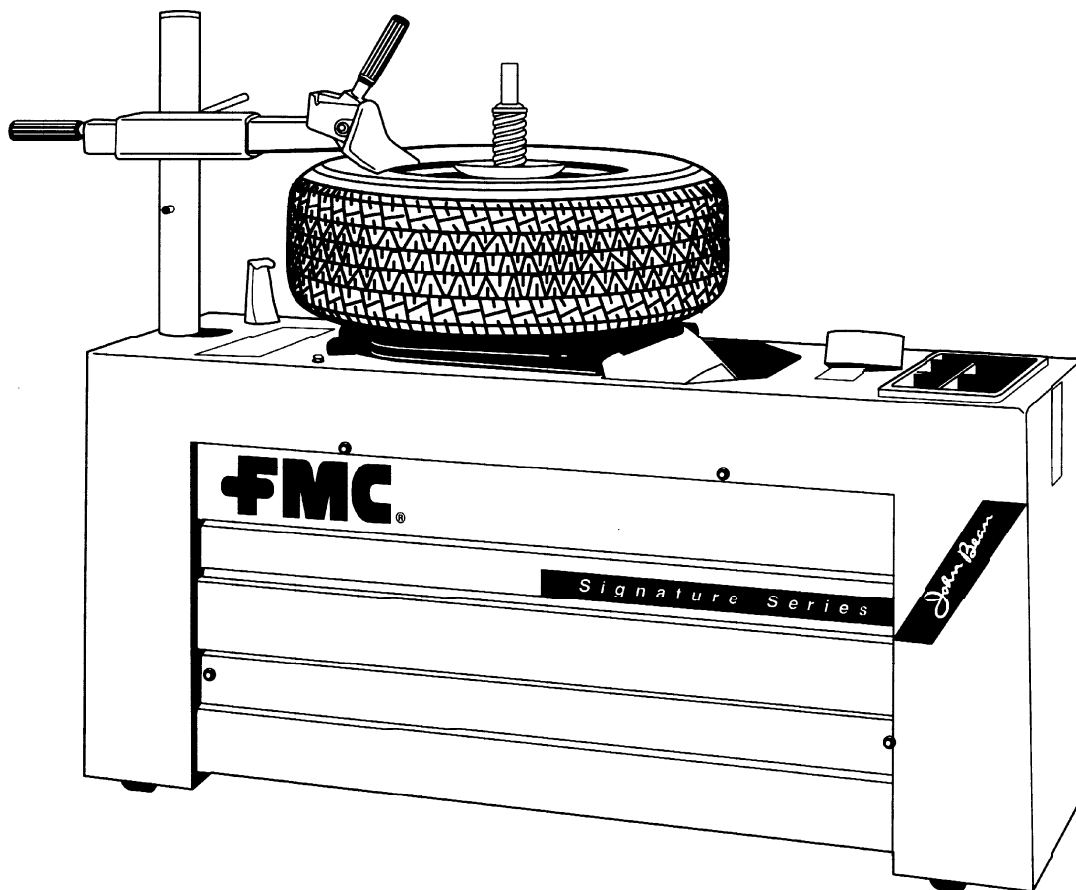
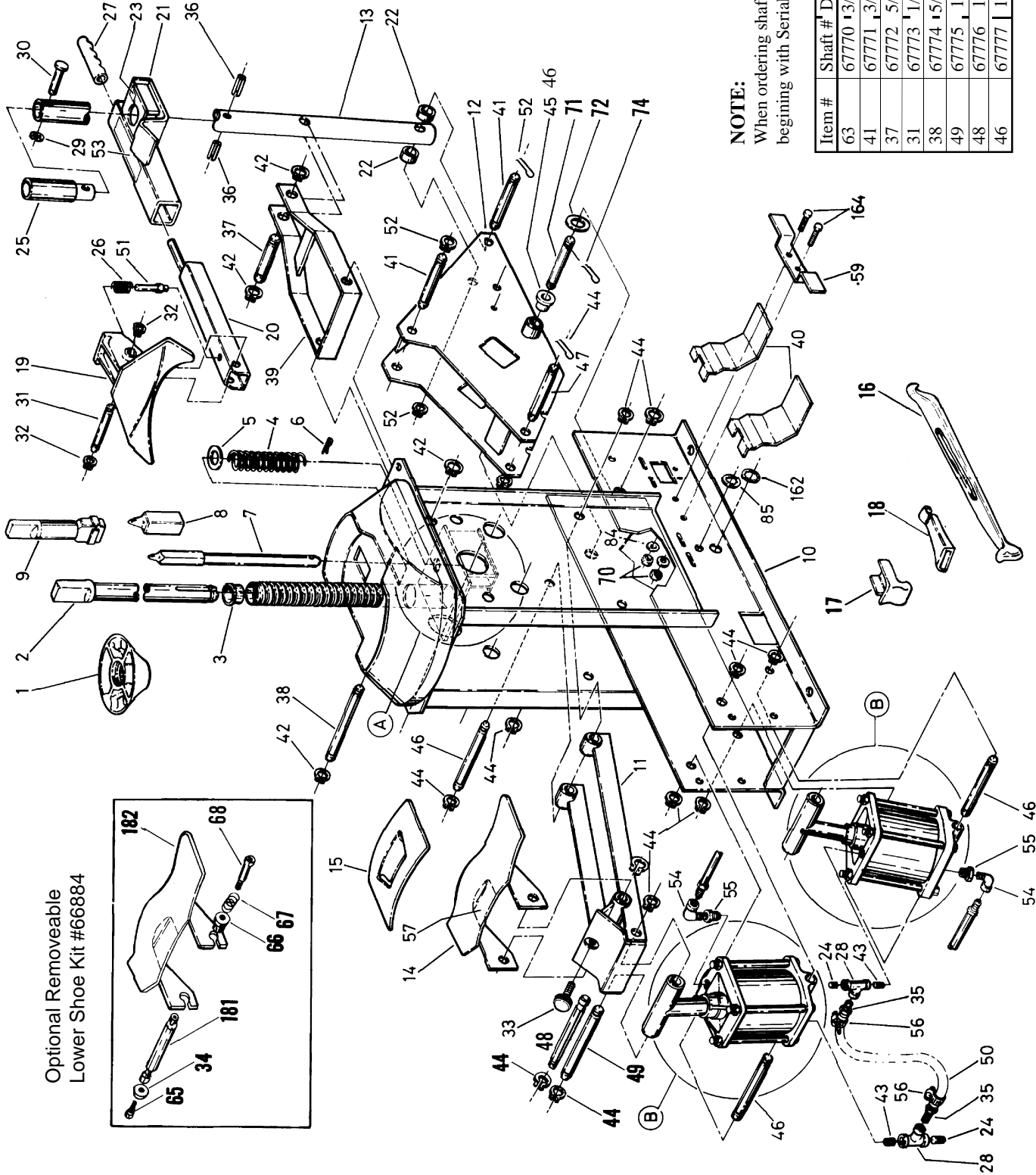


## Parts Reference Listing

### Model 7600/7700 Tire Changer

(From June 1994 - Serial #L11FM001)



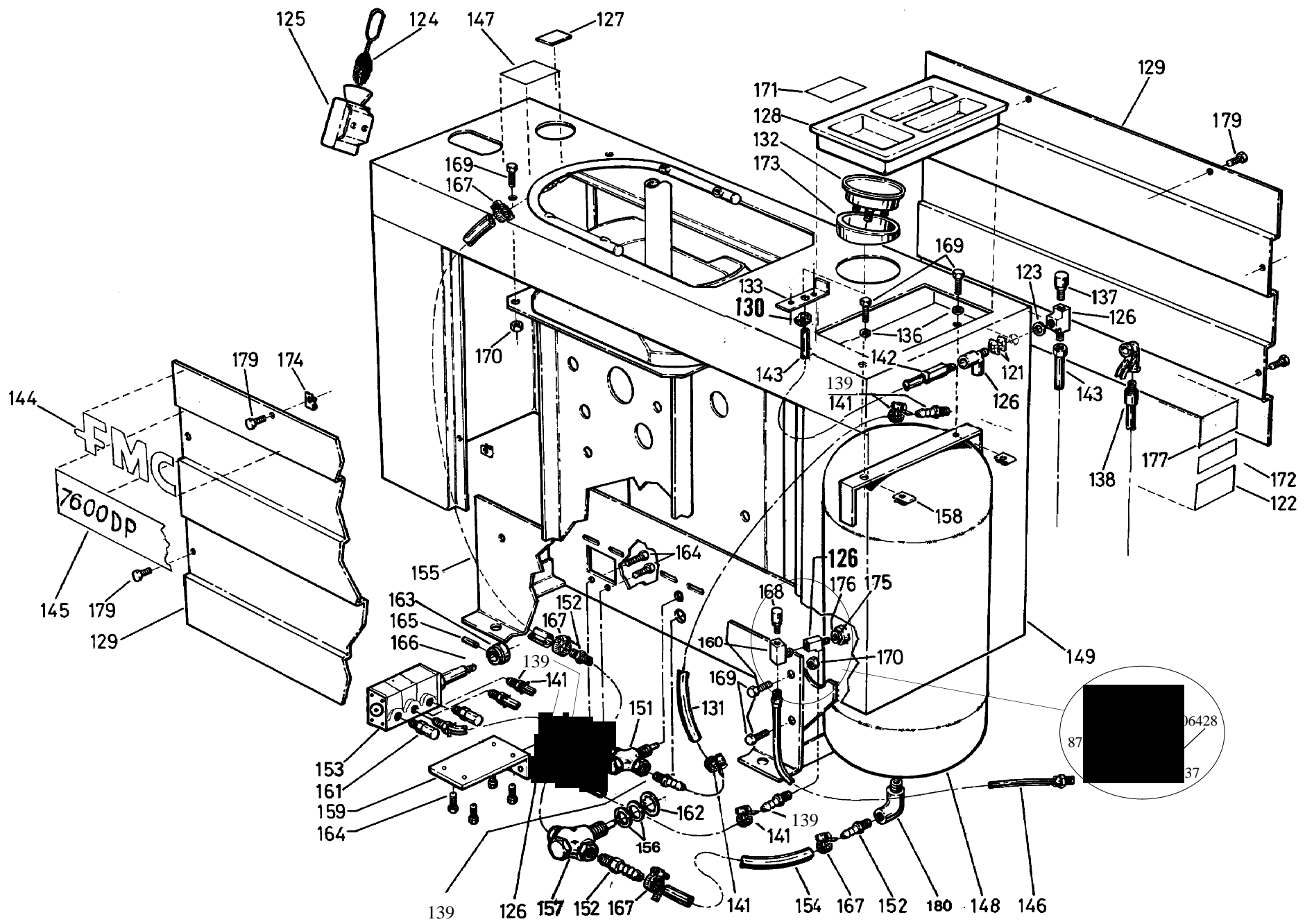


Optional Removeable  
Lower Shoe Kit #66884

**NOTE:**  
When ordering shafts refer to the parts list below  
beginning with Serial # L11AM001 (Jan. 94).

Item #	Shaft #	Dia.	Washer #	Cotter Pin
63	67770	3/4	1100387	1100352
41	67771	3/4	1100387	1100352
37	67772	5/8	1107386	1100352
31	67773	1/2	1107385	1100350
38	67774	5/8	1107386	1100352
49	67775	1	1107389	1100354
48	67776	1	1107389	1100354
46	67777	1	1107389	1100354

<u>Ref No.</u>	<u>Part Number</u>	<u>Description</u>	<u>Ref No.</u>	<u>Part Number</u>	<u>Description</u>
1	66667	Hold Down Cone	44	1118554	Retaining Ring (older)
2	67711	Center Shaft	*	1100352	Cotter Pin
3	66125	Nyliner	*	1107385	Flat Washer - 1/2x1 1/16x17/32
4	66165	Spring	45	66162	Nyliner
5	66652	Pad	46	67777	Pivot Shaft
6	66403	Hitch Pin	47	66511	Top Cylinder Pivot Shaft
7	66459	Positioning Pin	48	67776	Shaft, Radial Shoe
8	66009	Positioning Pin Extension	49	67775	Lower Shoe Cylinder Pivot Shaft
9	66008	Center Shaft Extension	50	66408	Hydraulic Hose, 5/8"ID x 18"
10	66587	Main Frame Weldment	51	66485	Spring Retainer (Service only)
11	66697	Lower Shoe Arm	52	1113527	3/4" Retaining Ring (older)
12	67575	Main Lever	*	1100352	Cotter Pin
13	66285	Upper Shoe Column	53	66344	Bead Loosening Instruction Label
14	66425	Radial Shoe (non-removable)	54	67536	Brass Barb Fitting, 90 Deg. Elbow
15	66510	Lower Shoe Extension (opt)	55	1101980	Brass Bushing, 1/2" x 1/4"
16	66679	Combination Tool	56	1101660	Hose Clamp
17	66182	Nylon Mounting Boot	57	66883	Lower Shoe Instruction Label
18	66181	Nylon Demount Boot	58	1187577	Key, 1/4" x 1/4" x 1-3/4"
19	67717	Upper Shoe	59	66673	Foot Pedal Bracket
20	67719	Upper Shoe Arm	60	66301	Pinion Gear
*	66453	Handle	61	66430	Rack
*	66506	Grip	62	66501	Wear Pad
*	67720	Upper Shoe Kit, (Service only)	*	66580	Shim, Wear Pad
		Includes:	63	67770	Rack Pivot Shaft
		67717 Shoe	64	66428	Tie Bar
		66453 Handle	65	1100088	Hex Screw, 5/16-18x1/2"
		66506 Grip	66	66701	Locking Sleeve Weldment
21	66067	Upper Shoe Arm Holder	67	66707	Compression Spring
22	66334	Main Column Lever Spacer	68	66708	Shoulder Screw
23	66176	Label "Do Not Lube Column"	69	66356	DU Bearing
24	1105043	1/2NPT Sq Hd Pipe Plug	70	1121507	1/4-20 Hex Nut
25	66122	Upper Shoe Column Ext. (opt.)	71	67777	Pivot Shaft (Main Lever)
26	66330	Spring	72	1107389	Flat Washer 1"
27	66506	Plastic Grip	74	1100352	Cotter Pin 5/32" x 1-1/2"
28	1105046	1/2NPT Tee Fitting	75	1120056	Castle Nut 1-1/4 x 7UNC
29	1101626	Split Ring	85	1187950	5/8" Lockwasher
30	1101625	Clevis Pin 3/8" D x 2-5/8" L	101	66015	Cylinder End Cap
31	67773	Upper Shoe Pivot Shaft	104	66018	Wiper Ring
32	1118804	1/2" Retaining Ring (older)	105	1100026	Hex Hd. Bolt 5/8-18x1-1/2"
*	1100352	Cotter Pin	106	1101621	O-Ring, 6.5 x 7 x 1/4"
*	1107385	Washer	107	66020	Wear Ring
33	66704	Threaded Knob	108	66016	Piston
*	1103437	Setscrew, 1/4-20x1/4"	109	1118730	Retainer Ring
*	8025720	Nylon Insert	110	66019	Bearing
34	66706	Flat Washer	111	66017	U Cup
35	66391	Barb Hose Fitting	112	67578	Piston Rod Weldment
36	1182512	Roll Pin	114	66546	Cylinder Body
37	67772	Lever-to-Column Pivot Rod	115	1101690	O-ring 13/16 x 13/32 x 0.139"
38	67774	Upper Shoe Lever Pivot Shaft	116	1101622	O-ring 7 x 7-1/4 x 0.125
39	66442	Column Lever	118	66521	Lower End Cap
40	66586	Foot Pedal	121	66337	Rubber Washer
41	67771	Rack-to-Lever Pivot Shaft	122	87406	Patent No. Label
42	1118808	5/8" Retaining Ring (older)	123	1100257	Flat Washer 1/2" x 1-3/8" OD
*	1100352	Cotter Pin	124	1267267	Lube Brush
43	1101979	1/2NPT Brass Close Nipple	125	66006	Lube Bottle



<u>Ref No.</u>	<u>Part Number</u>	<u>Description</u>	<u>Ref No.</u>	<u>Part Number</u>	<u>Description</u>
126	1101642	Brass Street Tee			3/4 NPT x 3/4"
127	66300	Rubber Bumper	176	1106428	Hex Bushing, 3/4" x 1/4"
128	66712	Tool Tray	177	na	FMC Toll Free Decal
129	66302	Front and Rear Panel	179	1101501	Hex Hd. Bolt 1/4-20x1/2"
130	1101923	Hose Clamp, (3/8" hose)	180	1105386	3/4" Street Elbow
131	1101914	Rubber Hose, 3/8" dia	181	66702	Removable Shoe Shaft
132	66170	Air Gauge	182	66696	Removable Lower Shoe
*	66269	Air Gauge Lens	*	66713	Upper Bead Breaker Assy
133	66184	Gauge Mtg. Bracket 7600	*	66002	Nylon Boot Protectors (1 pair)
	67807	Gauge Mtg. Bracket 7700	*	66274	Nylon Boot Protectors (10 pair)
136	1107383	3/8" Flat Washer	*	58139	1/4-20 Nutsert
137	66474	Bleeder Valve Button	*	66716	Plastic Hole Plug
138	67715	Inflation Hose Assembly (Includes air chuck)	*	66548	Twin Power Pack Assy, w/ hose
139	67537	Fitting - 3/8 hose 1/4 NPT	*	67730	Cylinder Assembly - Upper
140	87129	Fitting - 1/4 hose 1/8 NPT	*	67731	Cylinder Assembly - Lower
141	1101834	Hose Clamp	*	66350	Cylinder Rebuild Kit
142	67555	Barb Fitting/Orifice Assy.	*	66559	Power Pack Hdw kit. to ser# 20k
143	1101915	Rubber Hose, 1/4" Dia.	*	66659	Hydraulic Oil - 5 gal.
144	44255	FMC Label - 3"	*	66348	Volkswagon Adapter
145	67727	Strip Decal - Red/Grey 7600	*	66393	Passenger Tire Spreader
	87361	Strip Decal - Sig Series	*	1100242	5/16" Lockwasher
146	66191	Supply Hose Assembly	*	66990	Decal - GM 7600 T/C
147	66466	Safety Instruction Label	*	66884	Removable Shoe Kit
148	66714	Surge Tank Assembly	*	67729	"John Bean" Decal Stripe
	66161	Surge Tank	*	66756	Lube Bracket
149	66531	Outer Housing - 7600	*	1101849	Self Tapping screw - #12-24x3/8"
	67810	Outer Housing - 7700	*	67535	Rubber Hose Kit
151	66115	Small Dump Valve	*	67716	Four-way Valve Kit Includes: parts to convert earlier units to use new air assist valve.
152	66588	Nipple, 3/4" x 3/4" - Barb			Valve Air Assist Kit (Used on the 87165 valve manufactured Aug and Sept 1992)
153	87165	Four-way Valve - 7600	*	67714	
154	66556	Tank Hose			
155	66719	Inflation Manifold Hose			
156	1107387	3/4" Flat Washer			
157	66116	Large Dump Valve			
158	1101654	3/8-16 Speed Nut (Surge Tank top)			
159	87002	Support Bracket Valve 7600			
160	1101628	1/4" Male Tee			
161	59659	Small Muffler, 1/4 NPT			
162	1101627	3/4" Lockwasher			
163	66582	Four-way valve tip (old style)			
164	1111599	Screw HHC 1/4-20x5/8"			
165	1185232	Roll Pin 3/16" x 1-1/2"			
166	66189	Compression Spring			
167	1101204	Hose Clamp			
168	66329	Pressure Relief Valve-200psi			
169	1100046	Hex Hd Bolt, 3/8-16x1.0"			
170	1101478	KEPS Nut, 3/8-16			
171	66332	Warning Label			
172	66545	Serial Label			
173	66711	Gauge Shroud			
174	1101800	Nut, U-type, 1/4-20			
175	66588	Brass Hose Nipple			

**\* Not Shown**

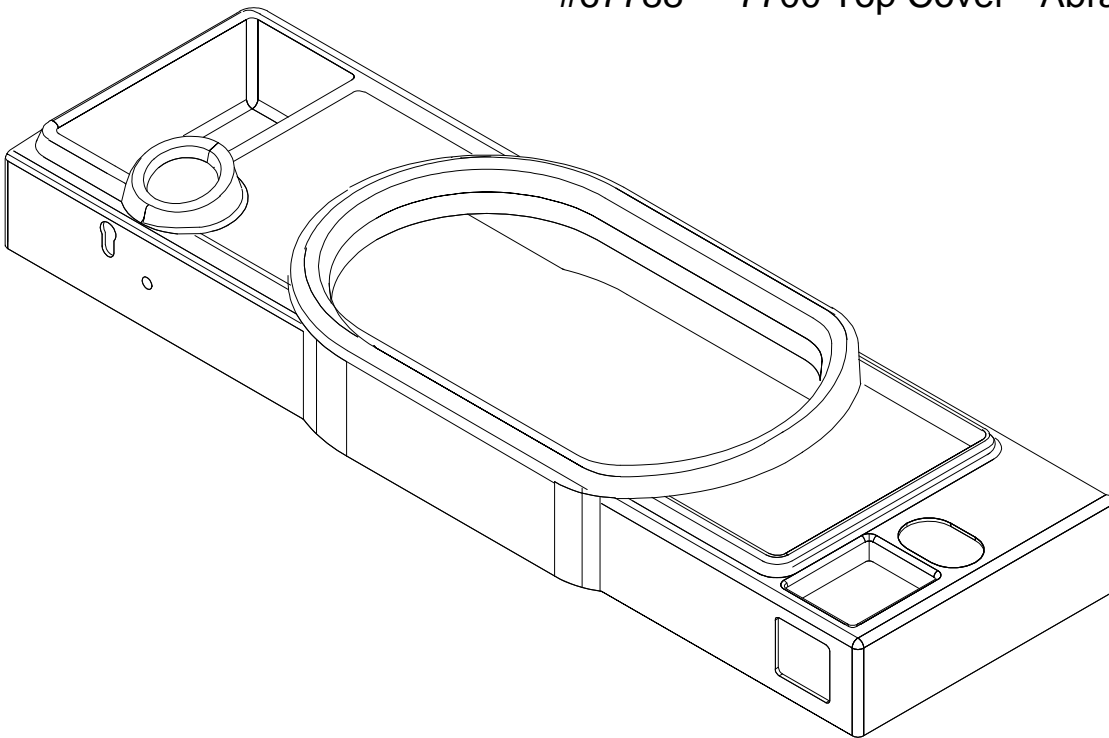
**Note:** 7600 units built after July 1992 use an air assist valve system (**87165**). The use of this valve obsoleted the use of the **66117** valve, the valve spring (**66189**), roll pin (**1185232**), and the valve tip (**66582**). Only the spring, pin, and tip will be retained in stock for service.

Older units requiring valve service should use only the **67716 Valve Kit** to update to the newer version.

# MODEL 7700 TIRE CHANGER

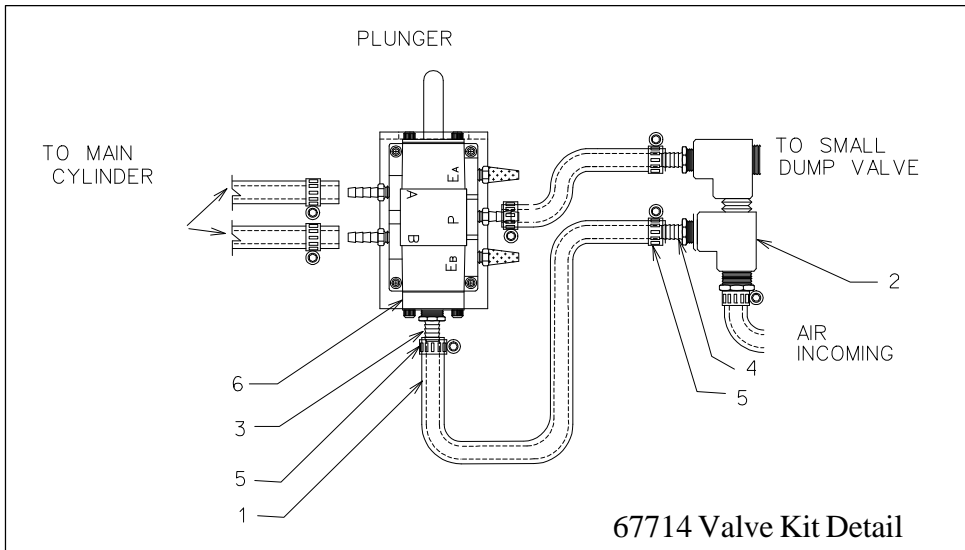
-- All Internal Parts Same As 7600 Except As Noted Below --

#67788 - 7700 Top Cover - Abrasion



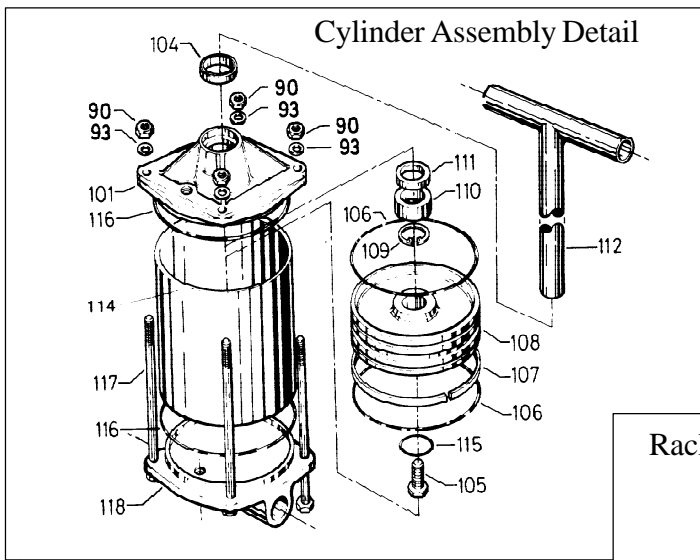
## New Parts for Model 7700

67810	Outer Housing Assembly
67788	Top Cover - Abrasion
67807	Air Gauge Mounting Bracket
1122266	Tee Nut 10-24 x 9/32



**Contents of 67714 Kit:**

<u>Item</u>	<u>Part #</u>	<u>Qty</u>	<u>Description</u>
1	1101915	1ft	1/4" Rubber Hose
2	1101642	1	1/4" Street Tee Fitting
3	87129	1	1/8" NPT x 1/4" Barb Fitting
4	67541	1	1/4" NPT x 1/4" Barb Fitting
5	1101834	2	1/4" Worm Hose Clamp
6	87357	1	Valve Operator Kit - Contains: 4 - #10-24 screws 1 - Gasket 1 - Die Cast Pilot Operator 1 - Die Spring



**66350 - Cylinder Rebuild Kit**  
includes items #104, 106,  
107, 110, 111, 115, 116

