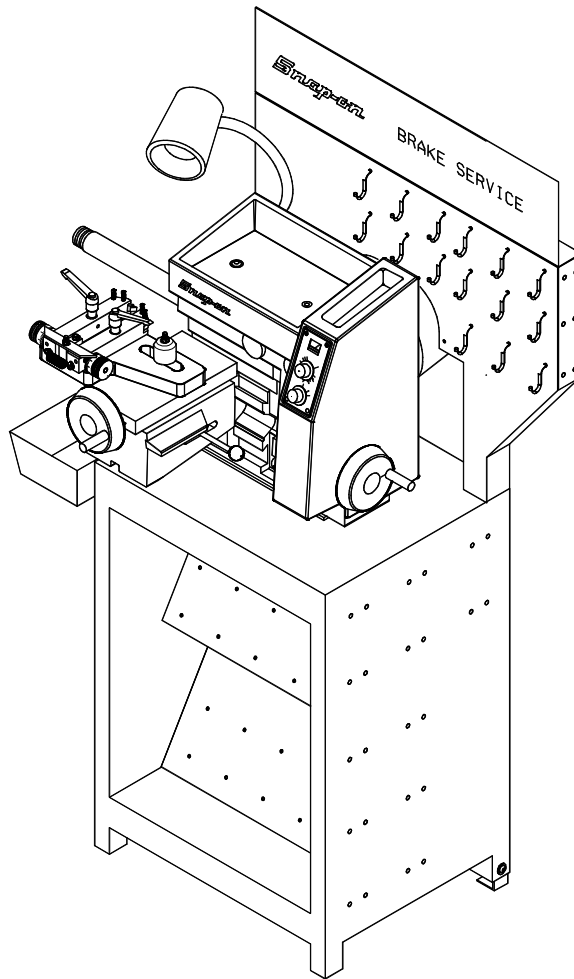


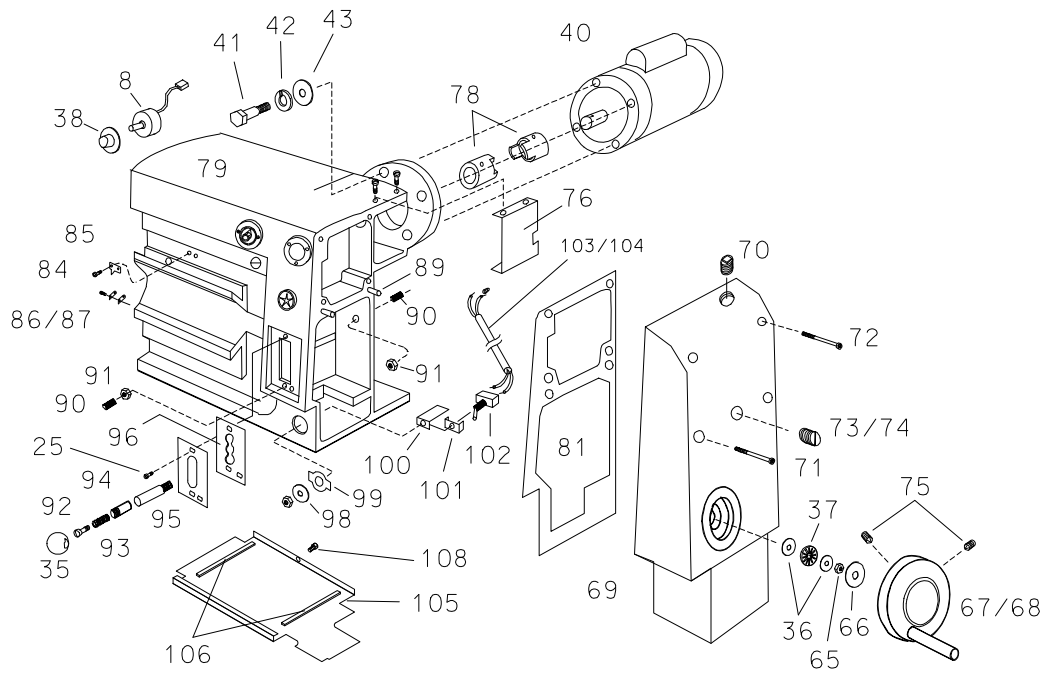


# EE BR 300 A BRAKE LATHE PARTS REFERENCE

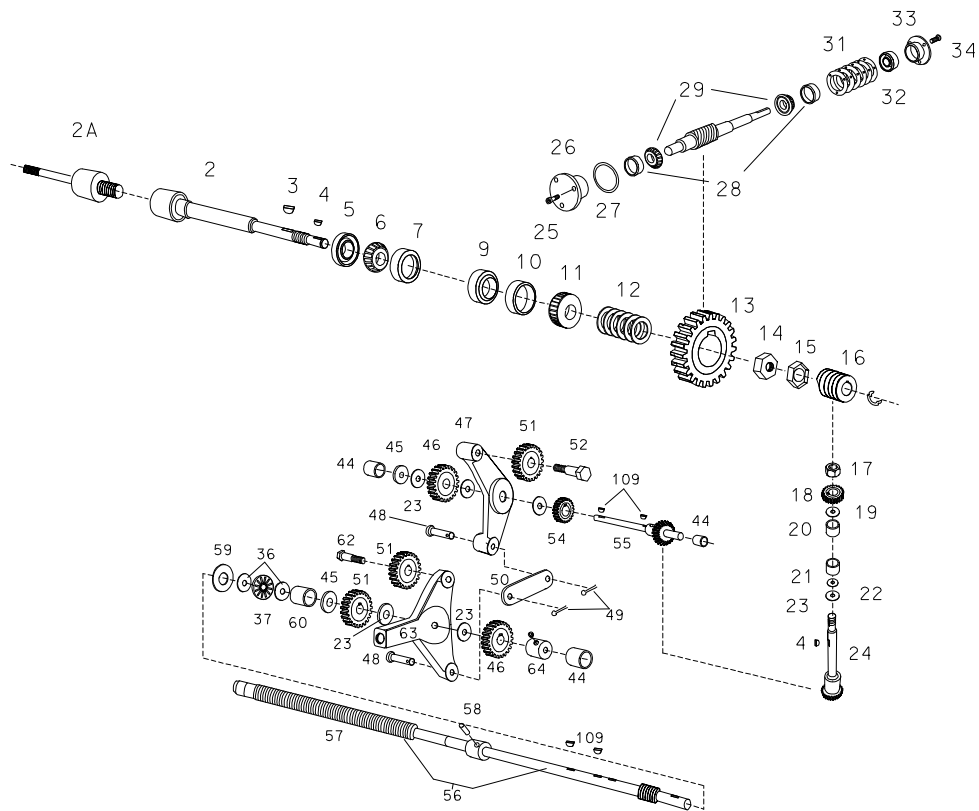


FORM # SST 544

# Main Housing



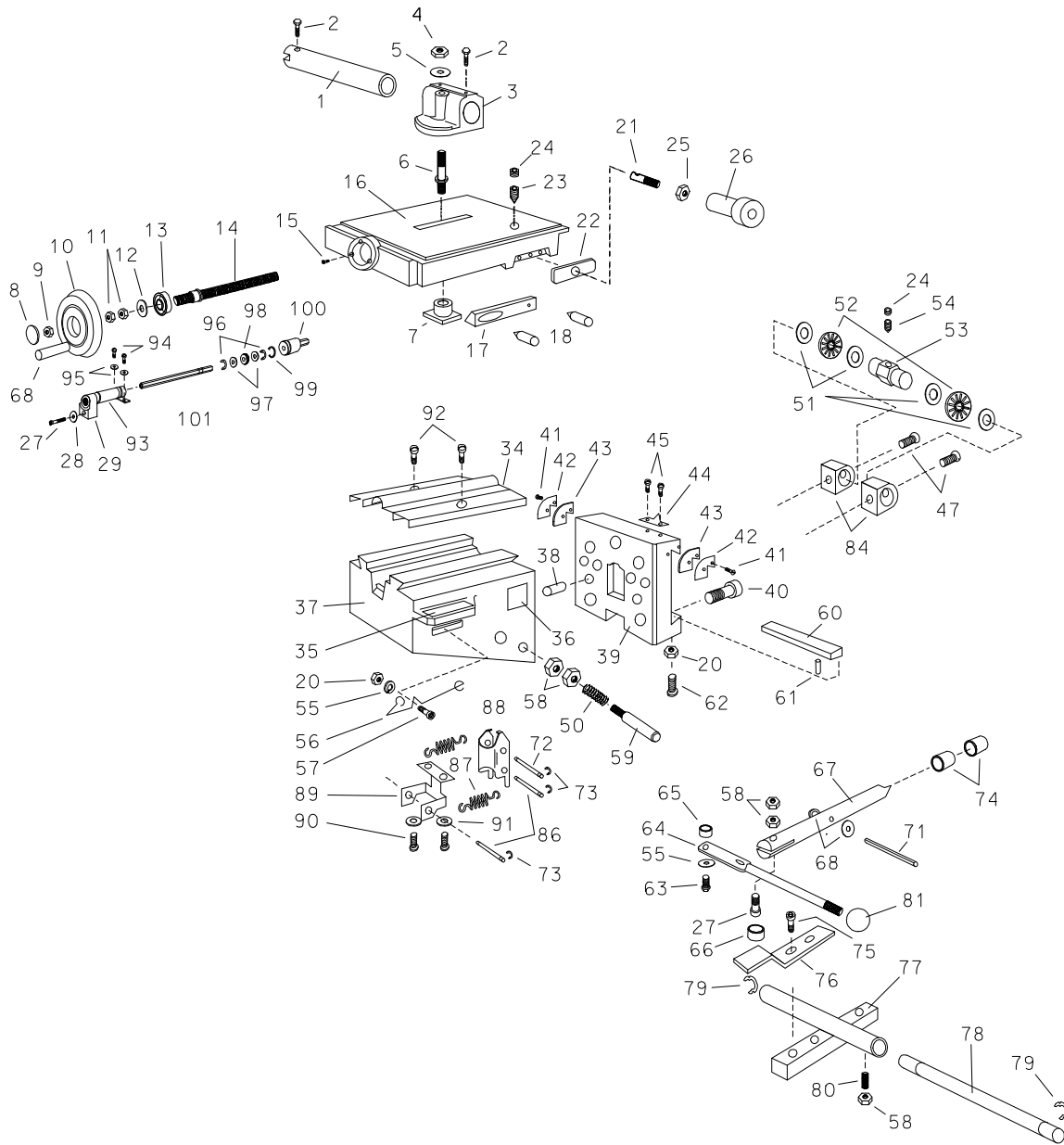
# Gear Train



<b>Ref.</b>	<b>Part no.</b>	<b>Description</b>	<b>Ref.</b>	<b>Part no.</b>	<b>Description</b>
1	90547	Self-centering Arbor Nut	64	90199	Spacer Plate
2	90688	Spindle	65	1120263	ESNA Thin Nut, 1/2-20
2a	90043	Arbor, 1" Dia.	66	8027201	Washer, Neoprene Seal
3	1109881	#608 Woodruff Key	67	91462	Handwheel Assy., Carriage Traverse
4	1100905	#404 Woodruff Key	68	91459	Handwheel:
5	1101518	Front Oil Seal, Spindle		59022	Washer-curved Sprg, Whl Clam
6	1101441	Front Bearing Cone, Spindle		91459	Handwheel-drum Feed
7	1177644	Front Bearing Cup, Spindle		1016888	Handle
9	1177749	Rear Oil Seal, Spindle		1016889	Stem-handle, Blue Black & Oil
10	1177512	Rear bearing Cup, Spindle		1101467	Screw-bhcs, #10-24 X 1/2 Hs
11	1177511	Rear Bearing Cone, Spindle		1103470	Screw-set, 5/16-18 X 1/2 Hs Cp
12	8009650	Shim, worm Gear (0.005")		1185304	Ring-retaining
13	90656	Worm Gear, 12 Pitch	69	91237	End Cover
14	1016859	Special Hex Nut, 1-14 TPI	70	90750	Oil Fill Plug
15	1187063	Pal Nut, 1-14 TPI	71	1122022	Hsc Screw, 1/4-20x3-3/4"
16	90655	Worm Gear 16 Pitch	72	1112289	Hsc Screw, 1/4-20x3.0"
17	1109587	Hex Jam Nut, 3/8 X 24 TPI	73	8022550	Gasket, Oil Drain Plug (3/8" ID)
18	1006591	Helical Gear, End Cover Shaft	74	1007010	Oil Drain Plug
19	8017520	Fiber washer, 1/2 x 1-3/8 x 0.015"	75	1103470	Soc. Setscrew, 5/16-18x1/2"
20	1177646	Bronze Bearing-Cover Shaft (top)	76	91230	Speed Control Cover Boss
21	1177648	Bronze Bearing-Cover Shaft (bottom)	78	90690	Motor-to-Shaft Coupling
22	1185187	O-Ring, 1/2 x 11/16 x 3/32"	79	91261	Lathe Housing
23	8000390	Fiber Washer, 1/2x1.0x1/32"	80	1100759	Grease Fitting
24	90663	Shaft Assembly, End Cover	81	90661	Gasket, End Cover
25	1101467	Screw, BHSC #10-24x3/8"	84	1181510	But. Hd. Screw #10-24x1/4"
26	1016804	Front Cap, Worm Shaft Bearing	85	90670	Carriage Alignment Pointer
27	1101468	O-Ring, Bearing Cap, 1-1/4 IDx1-3/8"	87	8009630	Lower Gib wiper
28	1177642	Bearing Cup, Worm Shaft	88	90660	Oil Level Gauge
29	1177641	Bearing Cone, Worm Shaft	89	1110180	Dowel Pin, End Cover, 3/16x3/4"
30	90657	Worm Drive Shaft, 12 Pitch	90	1103455	Socket Setscrew, 1/4-20x7/8"
31	8027228	Shim, Seal Retainer Cap, .002"	91	1121549	Hex Jam Nut, 1/4-20
	8009660	Shim, Seal Retainer Cap, .005"	92	1102547	RHM Screw, #10-24x1-1/4"
32	1177650	Oil Seal, Worm Shaft	93	6001110	Spring, Gear Shift Handle
33	2006890	Cap, Seal Retainer	94	91366	Feed Lock
35	91232	Gear Shift Ball	95	90700	Feed Handle
36	5001535	Race, Needle Bearing Thrust, 1/2"	96	8027192	Cover, Shift Selector
37	5001534	Needle Bearing 1/2"	97	8027191	Plate, Shift Selector
39	90698	Speed Control Decal	98	1101749	Lockwasher, Internal Teeth
40	91203	Motor 1 HP, 115VAC	99	1206548	ON-OFF Plate (Toggle Switch)
41	1100047	HHC Screw, 3/8-16x1-1/4"	100	7007614	Insulator, Toggle Switch
42	1100243	Lockwasher 3/8"	101	7007632	Insulator, Switch Proper
43	1100256	STD. 3/8" Washer	102	1122277	ON-OFF Toggle Switch
44	1177647	Bearing, Idler Shaft - Bronze	103	2511366	2-Conductor Wire, Toggle Switch
46	1006560	Spur Gear - 30 Tooth	104	61039	Wire Nut
47	2006822	Gear Shift Arm	105	90641	Lathe Housing Bottom Plate
48	1006670	Clevis Pin - Shift Link	106	60353	Foam Tape, 3/8" wide
49	1100362	Cotter Pin, 3/32" x 1/2"	108	1101710	SHCS Screw, #10-24x3/8"
50	8009510	Shifter Link	109	1177640	#304 Woodruff Key
51	1006541	Spur Gear - 24 Tooth	*	90668	Final Drive Shaft
52	1006680	RH Shoulder Bolt	*	1185388	3/4" Retainer Ring
53	8009670	Fiber Washer 1/2"x13/16"x1/32"	*	1101511	Oilite Bearing 3/4"x 1-1/4"x1.0"
54	1006550	Spur Gear - 15 Tooth	*	90243	Warning Label
55	90674	Idler Gear & Shaft Assembly	*	91253	Snap-on label
56	90666	Carriage Feed Screw Assy. (Inc. 57,58)	*	90247	Fuse Label
57	90667	Screw Only, Carriage Feed	*	90152	Ball & Lock Feed - Gear Shift ULLabel
58	1177799	Roll Pin - Feed Screw	*	90248	Caution Label
59	5001536	Felt Washer, Feed Screw	*	90722	Warning Label (Trans Cover)
*	90701	Motor Assembly Wire	*	8025030	Oil Label
*	35148	Strain Relief			
60	1177647	Bronze Bearing - Feed Screw 1/2 x 5/8 x 9/16"			
62	1007680	LH Shoulder Bolt			
63	2006844	Gear Shift Bracket			
*	1015340	Collar, Set			
	1103466	Set screw - 5/16 x 18 x 3/8 hsc			

# Figure 2

## Cross Slide Carriage & Tool Post Group

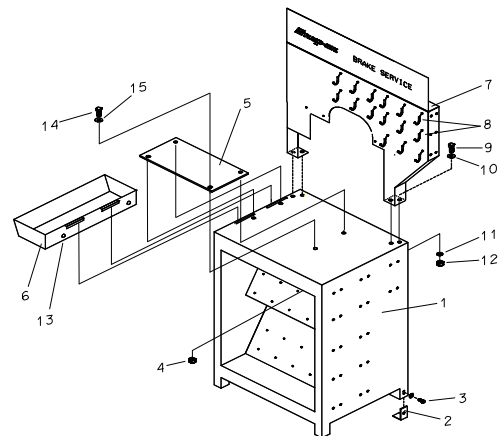


91240 Cross Slide Sub Assembly  
91227 Knee Sub Assembly

<u>Ref.</u>	<u>Part no.</u>	<u>Description</u>
1	1006691	Tool Post Holder
2	1015540	Sq. Hd. Screw 3/8-16x3/4"
3	90653	Tool Post
4	1109285	Hex Nut 1/2-13 Heavy
5	1107385	SAE Washer 1/2"
6	90681	Adjustable Pivot Post
7	1016843	Pivot Post T-Nut
8	57518	Button Plug
9	1109591	Hex Nut 5/8-18
10	91238	Dial Wheel Assembly
10a	91237	Handle
11	8027258	Dial wheel Locking Element
12	8027272	Dial wheel Shim
13	1185064	Ball Bearing
14	90071	Cross Slide Feed Screw
15	1120023	Truss Hd. Screw 1/4-20x1/2"
16	91240	Cross Slide Subassembly
	9010340	Cross Slide Assembly
17	8027286	Cross Slide Gib
18	1016867	Guide Pin, Cross Slide Gib
20	1121549	Hex Jam Nut, 1/4-20
21	1016868	Mounting Lock Screw
22	8027285	Pressure Lock Plate
23	1110770	Cove Pt. Setscrew, 1/4-20x3/8"
24	1177531	Mac-It Screw, 1/4-20x1/8"
25	1120249	ESNA Lock Nut, 5/16-24
26	1016869	Lock Nut, Cross Slide Gib
27	1112293	HHC Screw, 5/16-18x1-1/2"
28	8027010	Feed Nut washer
29	90077	Cross Slide Feed Nut
34	90073	Cross Feed Cover
35	90757	Feed Selector Label
36	8017740	Feed Instruction Decal
37	90647	Carriage Knee
38	1110189	Dowel Pin 3/8x1.0"
39	90648	Carriage Slide
40	1102362	SHS Screw, 3/8-16x1.0"
41	1185028	RHM Screw, 1/4-20x3/8"
42	90682	Gib Wiper Plate
43	8009640	Gib Wiper Felt
44	90670	Carriage Alignment Pointer
45	1118150	BHHS Screw, #10-24x1/4"
47	1102343	SHC Screw, 1/4-20x1/2"
50	6002110	Spring (p/o Switch Shut-off assy 90220)
51	5001530	Needle Bearing Thrust Race, 3/4"
52	5001529	Needle Bearing, 3/4"
53	1016845	Carriage Feed Nut
54	8025720	Nylon Insert, Carriage Nut
56	6002494	Detent Spring
57	1102345	SHC Screw, 1/4-20x1.0"
59	90219	Shut-off Sleeve
*	1102355	Hex bolt shut off rod
60	8027215	Carriage Gib
61	1110180	Dowel Pin, Carriage Gib
62	1101515	Sq. Hd. Screw, 1/4-20x1.0
63	1111599	HHC Screw, 1/4-20x5/8"
64	91231	Carriage Control Lever
65	1016835	Lever Pivot Spacer
66	8027222	Pressure Lock Cap
67	1016852	Feed Control Shaft
71	1177551	Roll Pin, Feed Control Shaft 3/16 x 1 3/4"

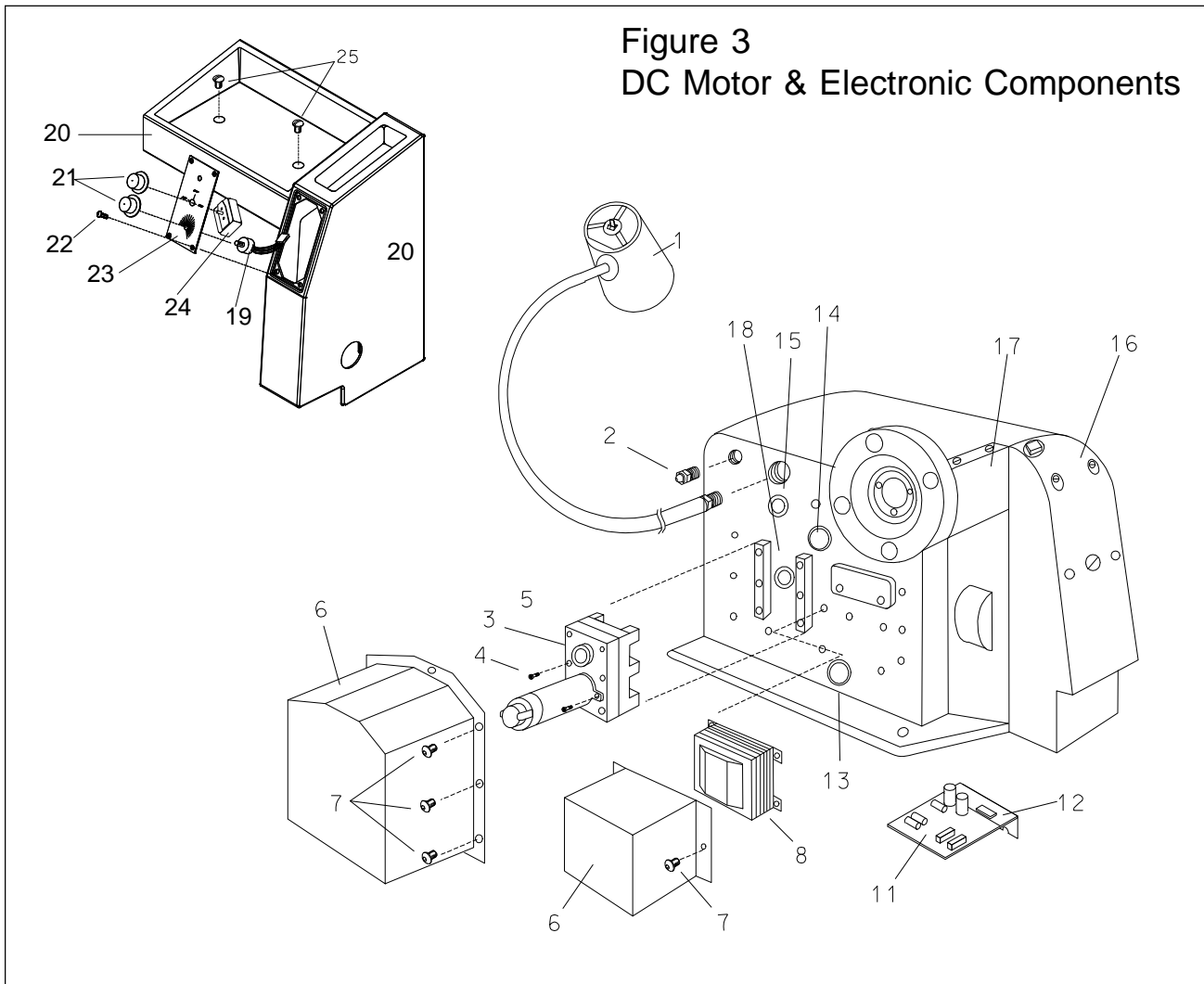
<u>Ref.</u>	<u>Part no.</u>	<u>Description</u>
72	1016841	Link Pivot Shaft
73	1101510	Type E Retaining Ring, 1/4"
74	1101508	Oilite Bearing, 3/4x7/8x3/4"
75	1110818	Soc. Setscrew, 5/16-18x1-1/4"
76	90677	Carriage Control Lock Spring
77	2511345	Carriage Control Lock Pivot
78	1016844	Lock Pivot Shaft
79	1185427	Type E Retainer Ring, 1/2"
80	1103480	Soc. Setscrew, 5/16-18x1-1/4"
81	91232	Plastic Ball
84	1016890	Feed Nut Carrier
86	1016895	Spring Anchor Shaft
87	6002488	Spring
88	90684	Link Control
89	8027324	Anchor Bracket
90	1177619	Mach. Screw 1/4-20x1/2"
91	1100241	Lockwasher, 1/4"
92	1115142	Screw FH #8-32x7/16"
93	90067	Bearing Tube Assembly
94	1187794	Screw, 1/4-20x5/8"
95	1100241	Lockwasher 1/4"
96	90075	Retainer Clip
97	90074	Support washer
98	90076	Bearing, Conveyor Type
99	1118716	Internal Retaining Ring
100	90686	Hex Drive Selector
101	90070	Hex Drive Shaft

**Lathe Base Assembly - 91218**  
**Sign Kit - 91260**



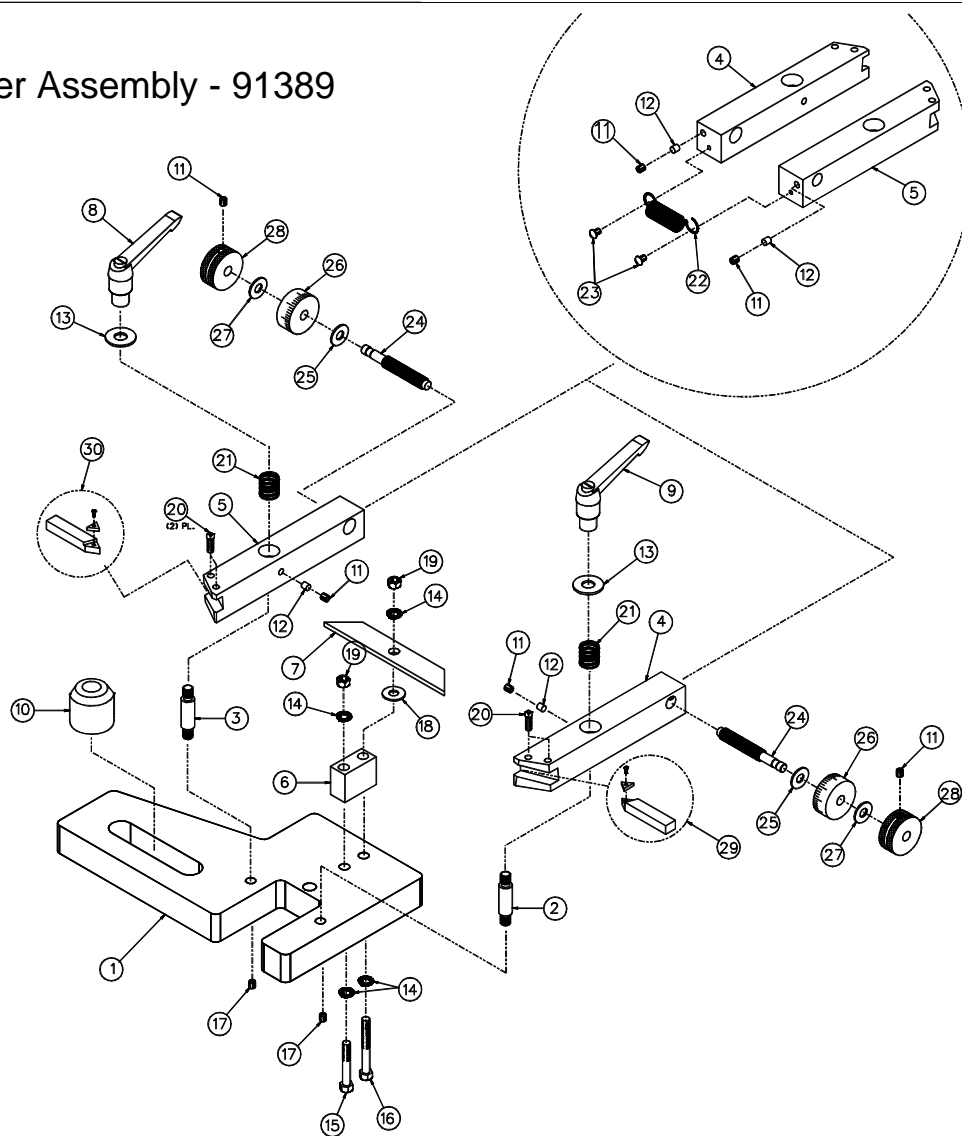
<u>Ref.</u>	<u>Part no.</u>	<u>Description</u>
1	91217	Lathe Base Weldment
2	90355	Leveling Leg
3	1101824	Allen screw - used with leveling leg
4	1120240	Nut - Lock, 4 used to secure lathe to base
5	57968	Rubber Mat
6	90353	Chip Tray
7	91183	Storage upright weldment
8	90278	4" Storage Hooks
	91365	2" Storage Hooks
9	1100044	Bolts, 4 used to secure sign to base
10	1100255	Washers, 4, sign to base hardware
11	1100242	Lockwashers, 4, sign to base hardware
12	1182563	Nuts, 4, sign to base hardware
13	8027266	Rubber Bumpers - 2 used on the chip tray
14	1100086	Bolts - Use 4 to secure lathe to base

**Figure 3**  
**DC Motor & Electronic Components**



<u>Ref.</u>	<u>Part no.</u>	<u>Description</u>	<u>Ref.</u>	<u>Part no.</u>	<u>Description</u>
1	91252	Lamp Assembly	21	91229	Knob
	7006200	Lamp - 115V/40 Watt	22	1187794	Screw - BHCD, 1/4-20X5/8
2	1100759	Grease Fitting	23	91235	Switch plate
3	90669	DC Motor Assembly	24	91234	Speed Control Switch
4	1122112	Cap Hex Soc Hd Screw #10-24x1-1/2"	25	1101740	Screw - BHCS, #8 - 32 x 1
5	1177625	Spring Pin 1/8 x 11/16"	*	91250	Snap-on nameplate
6	90699	DC Motor Cover	*	1122027	Tinnerman nut - 4used - control plate
7	1101467	Soc Hd Cap Hex Screw #10-24x3/8"	*	91251	LED Indicator
8	90691	Transformer	*	2511355	Power Cord Assembly
9	90713	Transformer Cover	*	91083	Ground Screw RHS Brass 1/4-20x3/8"
11	90671	PCB Assembly	*	1100241	Lockwasher 1/4" - Housing Guard
12	90697	PCB Bracket	*	90721	Transformer to Power Cable Assy.
14	90703	Grommet .875 ID x 1.625 OD	*	63548	In-line Fuse Holder
15	90745	Grommet .375 ID x 0.75 OD	*	90705	Transformer Cable Assembly - Sec
16	90662	End Cover Assembly	*	60353	Foam Tape (Adhesive Backed)
17	90710	Coupling Cover	*	74110	Fuse, 2.0 Amp. SLOW BLOW
18	90668	Final Drive Shaft			
19	90672	Speed Control Cable Assembly			
20	91219	Plastic lathe cover			

Figure 4  
Rotor Truer Assembly - 91389



Ref. Qty.			Ref. Qty.				
No.	Used	Part Number	Description	No.	Used	Part Number	Description
1	1	00090649000	Support, Tool Bar	16	1	01111615000	Screw,Hex,3/8-16x3 1/2
2	1	00091390000	Stud - Tool Bar, LH	17	2	01103490000	Screw, Set
3	1	00091391000	Stud - Tool Bar, RH	18	1	01100256000	Washer - Flat, 3/8
4	1	00091385000	Tool Bar - LH	19	2	01121509000	Nut - Hex
5	1	00091384000	Tool Bar - RH	20	4	01101892000	3/8-16 UNC-2B CAD/ZN
6	1	08027124000	Block - Striker				Screw - Set
7	1	00091379000	Plate - Pointer	21	2	00091380000	5/16 -18 X 7/8 SQ HD
8	1	00091381000	Handle - RH	22	1	06002488000	Spring - Compression
9	1	00091382000	Handle - LH	23	2	01118669000	Spring
10	1	00090711000	Spacer				Screw - Drive
11	4	01112790000	1.75Ox.516IDx1.56L	24	2	01016776000	#10 x 1/2 RD HD Z
12	4	00090746000	Screw, Set	25	2	06002486000	Screw - Micrometer
13	2	01101310000	Insert	26	2	01016774000	Washer - Wave
14	4	01100243000	Nylon Torlon #4301	27	2	08000360000	DIAL - Micrometer
15	1	01111614000	Washer - Flat	28	2	01016775000	Washer - Nylatron GS
			Washer, 3/8 Lock Spg	29	1	00090495000	Knob - Micrometer
			Screw	30	1	00090494000	Cutter - With tri-tip, LH
			HHCS, 3/8-16 x 3 ZN				Cutter - With tri-tip, RH



**Snap-on Incorporated**

309 Exchange Ave.

Conway, Arkansas 72032

Ph (800) 311 - 4225

Fax: (501) 450 -1585