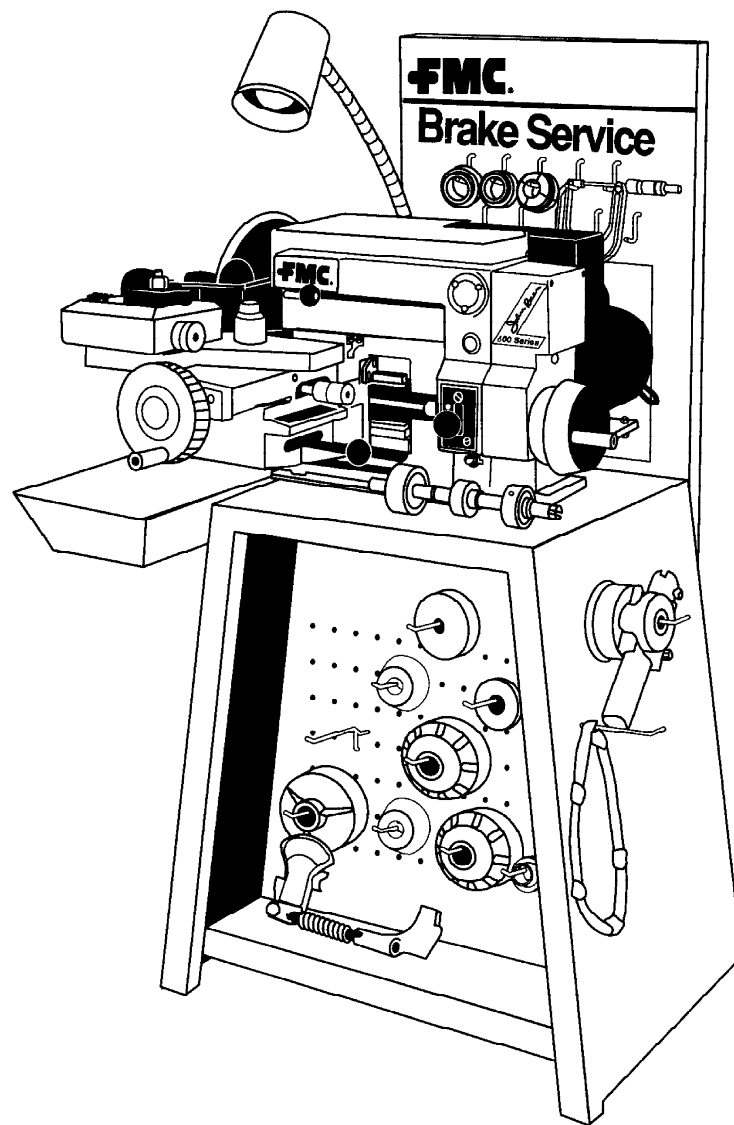




# 601 Series Disc and Drum Brake Lathe

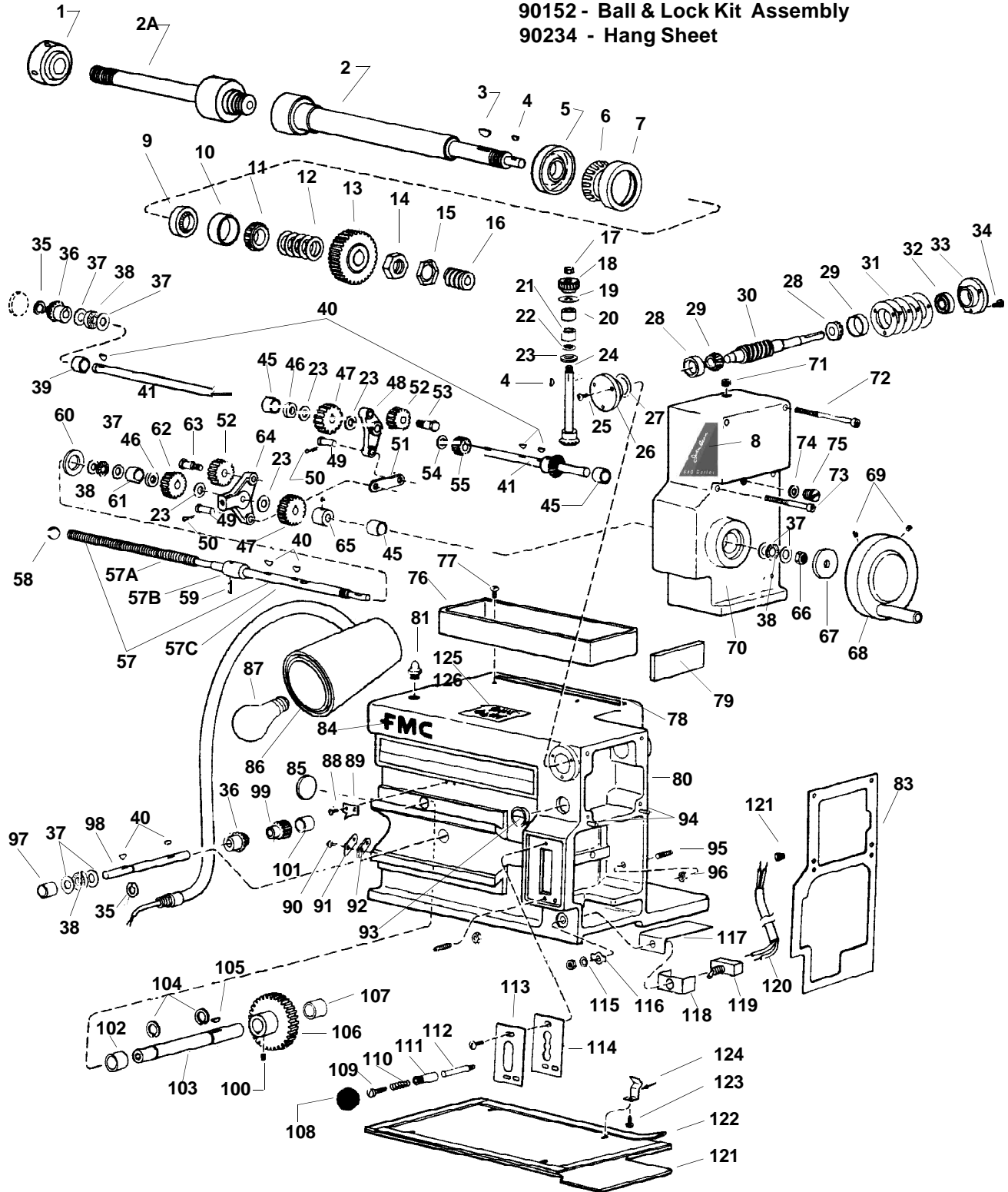
## Parts Reference

Form #77-3814-6



## Figure 1 - Main Housing Group

- 9010319 - End Cover Assembly
- 90226 - Chip Deflector Assembly
- 9010322 - Gear Train Assembly
- 90152 - Ball & Lock Kit Assembly
- 90234 - Hang Sheet





<u>Ref No</u>	<u>Part No</u>	<u>Description</u>	<u>Ref No</u>	<u>Part No</u>	<u>Description</u>
1	90547	Self-centering Arbor Nut	<b>57B</b>	1016817	Feed Screw Coupling
2	90042	Spindle	<b>57C</b>	1016823	Feed Screw Drive Shaft
2A	90043	Arbor, 1" Dia.	<b>58</b>	1185304	Retainer Clip, Carriage Feed
3	1109881	#608 Woodruff Key	59	1177799	Roll Pin - Feed Screw
4	1100905	#404 Woodruff Key	60	5001536	Felt Washer, Feed Screw
5	1101518	Front Oil Seal, Spindle	61	1177647	Bronze Bearing - Feed Screw
6	1101441	Front Bearing Cone, Spindle	62	1006541	Spur Gear - 24 Tooth
7	1177644	Front Bearing Cup, Spindle	63	1007680	LH Shoulder Bolt
<b>8</b>	90777	600 Series Decal, John Bean	64	2006844	Gear Shift Bracket
9	1177749	Rear Oil Seal, Spindle	*	90199	Spacer Plate
10	1177512	Rear Bearing Cup, Spindle	*	57968	Mat
11	1177511	Rear Bearing Cone, Spindle	*	1006571	Miter Gear (p/o 2511349)
12	8009650	Shim, Worm Gear (0.005")	65	1015340	Collar, Set
13	1006600	Worm Gear, 38 Tooth	66	1120263	ESNA Thin Nut, 1/2-20
14	1016859	Special Hex Nut, 1-14 TPI	67	8027201	Washer, Neoprene Seal
15	1187063	Pal Nut, 1-14 TPI	<b>68</b>	90658	Handwheel Assy., Carriage
<b>16</b>	90237	Worm, Feed			Traverse
17	1109587	Hex Jam Nut, 3/8 X 24 TPI	69	1103470	Soc. Setscrew, 5/16-18x1/2"
18	1006591	Helical Gear, End Cover Shaft	70	2013020	End Cover
19	8017520	Fiber Washer, 1/2x1-3/8x0.015"	71	90570	Oil Fill Plug
20	1177646	Bronze Bearing - Cover Shaft	72	1101486	HSC Screw, 1/4-20x3-3/4"
		(top)	73	1102351	HSC Screw, 1/4-20x3.0"
21	1177648	Bronze Bearing - Cover	74	8022550	Gasket, Oil Drain Plug (3/8" ID)
		Shaft(bottom)	75	1007010	Oil Drain Plug
22	1185187	O-Ring, 1/2x11/16x3/32"	76	90384	Tool Tray (Larger than Shown)
23	8000390	Fiber Washer, 1/2x1.0x1/32"	77	1120023	Screw, Truss Hd. 1/4-20 x1/2"
24	2504221	Shaft & Gear Assy., End Cover	78	8027274	Tool Tray Shim
25	1101467	Button Hd. Soc. Cap Screw,#10-24x38"	79	8027209	Cushion, Belt Guard
26	1016804	Front Cap, Worm Shaft Bearing	80	2013018	Lathe Housing
27	1101468	O-Ring, Bearing Cap, 1-1/4 ID x1-3/8" OD	81	1100759	Grease Fitting
28	1177642	Bearing Cup, Worm Shaft	83	8027193	Gasket End Cover
29	1177641	Bearing Cone, Worm Shaft	<b>84</b>	44251	FMC Logo
<b>30</b>	902371	Worm Drive Shaft	85	1110551	Expansion Plug
31	8027228	Shim, Seal Retainer Cap, .002"	86	2511339	Lamp Assembly
	8009660	Shim, Seal Retainer Cap, .005"	87	7007620	Bulb
32	1177650	Oil Seal, Worm Shaft	88	1187863	Screw
33	2006890	Cap, Seal Retainer	89	8027221	Pointer
34	1102540	RHM Screw, #10-24x5/8"	90	1115098	Screw
35	1185191	Ring Retainer Cresent 1/2"	91	8009620	Plate, Gib Wiper - Lower
36	1016837	Miter Gear	92	8009630	Gib Wiper - Lower
37	5001535	Race, Needle Bearing Thrust, 1/2"	93	8009790	Gauge, Oil
38	5001534	Needle Bearing, 1/2"	94	1110180	Pin Dowel
39	1101513	Oillite Bearing 1/2"x7/8"x3/4"	95	1103452	Screw Socket Set 1/4-20 x 7/8"
40	1177640	#304 Woodruff Key	96	8027192	Cover, Shift Selector
41	2511349	Idler Shaft and Gear Assembly	97	1101512	Bearing, Oillite
44	1103446	No longer used	98	1016850	Front Idler Shaft
<b>45</b>	1177647	Bearing, Idler Shaft - Bronze	<b>99</b>	1016832	Gear, Spur Idler Shaft - 21 Tooth
46	1016824	Gear Spacer	100	1103437	Screw
47	1006560	Spur Gear - 30 Tooth	101	5001538	Bearing Oillite
48	2006822	Gear Shift Arm	102	1101509	Bearing Oillite
49	1006670	Clevis Pin - Shift Link	103	1016899	Shaft Feed Drive
50	1100362	Cotter Pin, 3/32"x1/2"	104	1185388	Retainer Ring 3/4"
51	8009510	Shifter Link	105	1104436	#606 Woodruff Key
<b>52</b>	1006541	Spur Gear - 24 Tooth	106	1016833	Gear, Spur
53	1006680	RH Shoulder Bolt	107	1101511	Bearing, Oillite
54	8009670	Fiber Washer, 1/2"x13/16"x1/32"	108	90150	Gear Shift Ball - White
55	1006550	Spur Gear - 15 Tooth	109	1102547	Machine Screw #10-24 x 1 1/4"
<b>57</b>	90666	Carriage Feed Screw Assy.			
<b>57A</b>	90667	Carriage Feed Screw			

**Bold Print** numbers indicate a new or changed number.

(Continued on next page)

<u>Ref No</u>	<u>Part No</u>	<u>Description</u>
110	6001110	Spring, Gear Shift Handle
111	90151	Lock, Feed
<b>112</b>	90700	Gear Shift Handle
113	8027192	Cover Shift Selector
114	8027191	Plate Shift Cover
115	1187357	Internal Washer (Shakeproof) - 7/ 16"
116	1206548	Plate, On- Off switch
<b>117</b>	7007614	Toggle Switch Insulator
<b>118</b>	7007632	Insulator, Switch Proper
<b>119</b>	7007631	Switch, On- Off
<b>120</b>	2511366	Wire, Toggle Switch - 2 Conductor
<b>121</b>	90870	Lathe Housing Bottom Plate
<b>122</b>	60353	Tape Foam Gasket 3/8" x 3.2'
<b>123</b>	1118157	RHS Screw #10-24x3/8"
<b>124</b>	8019870	Spring Clip - Bottom Plate
<b>125</b>	90243	Warning Label
*	1187961	Roll Pin 5/32x1.0" (p/o 2511349)
*	985255	Red 1/4" Striping Tape
*	90152	& Lock Feed - Gear Shift
*	90080	UL Label
*	1101511	Oillite Bearing, 3/4"x1-1/4"x1.0"

\* NOT SHOWN

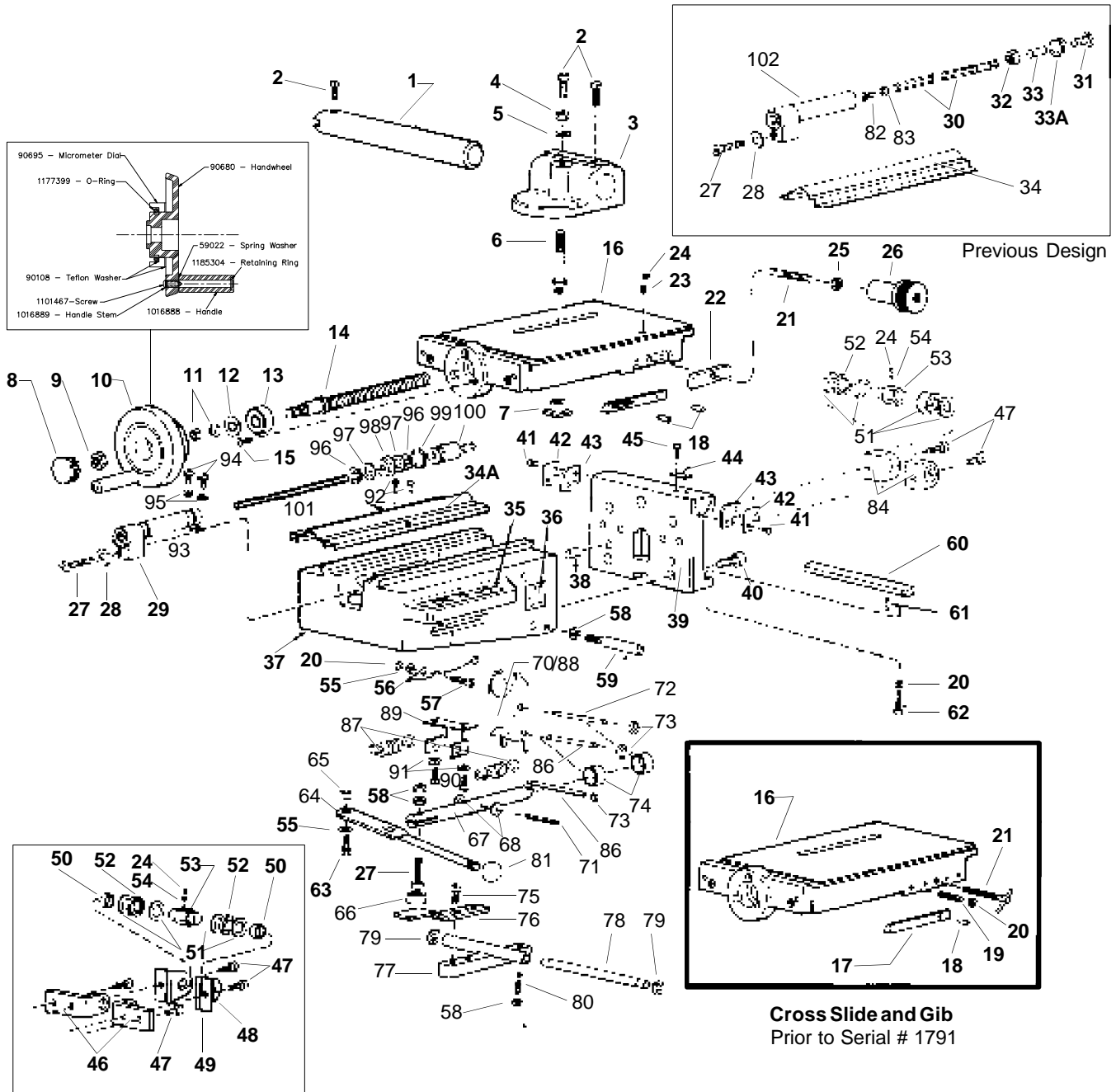
**Bold Print** numbers indicate a new or changed number.

B601PRfig1REV 11/14/93- B601PR.PM4

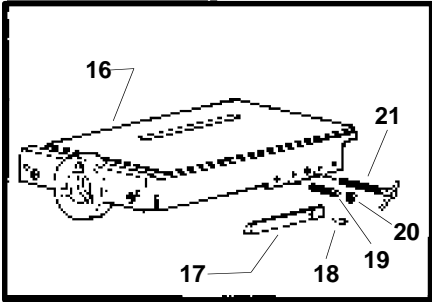
## Figure 2 - Cross Slide Carriage and Tool Post Group

9010323 - Carriage Assembly

90220 - Shut Off Assembly - Switch



**Feed Nut Bracket Assembly  
Prior to Serial No. 6154**



**Cross Slide and Gib  
Prior to Serial # 1791**

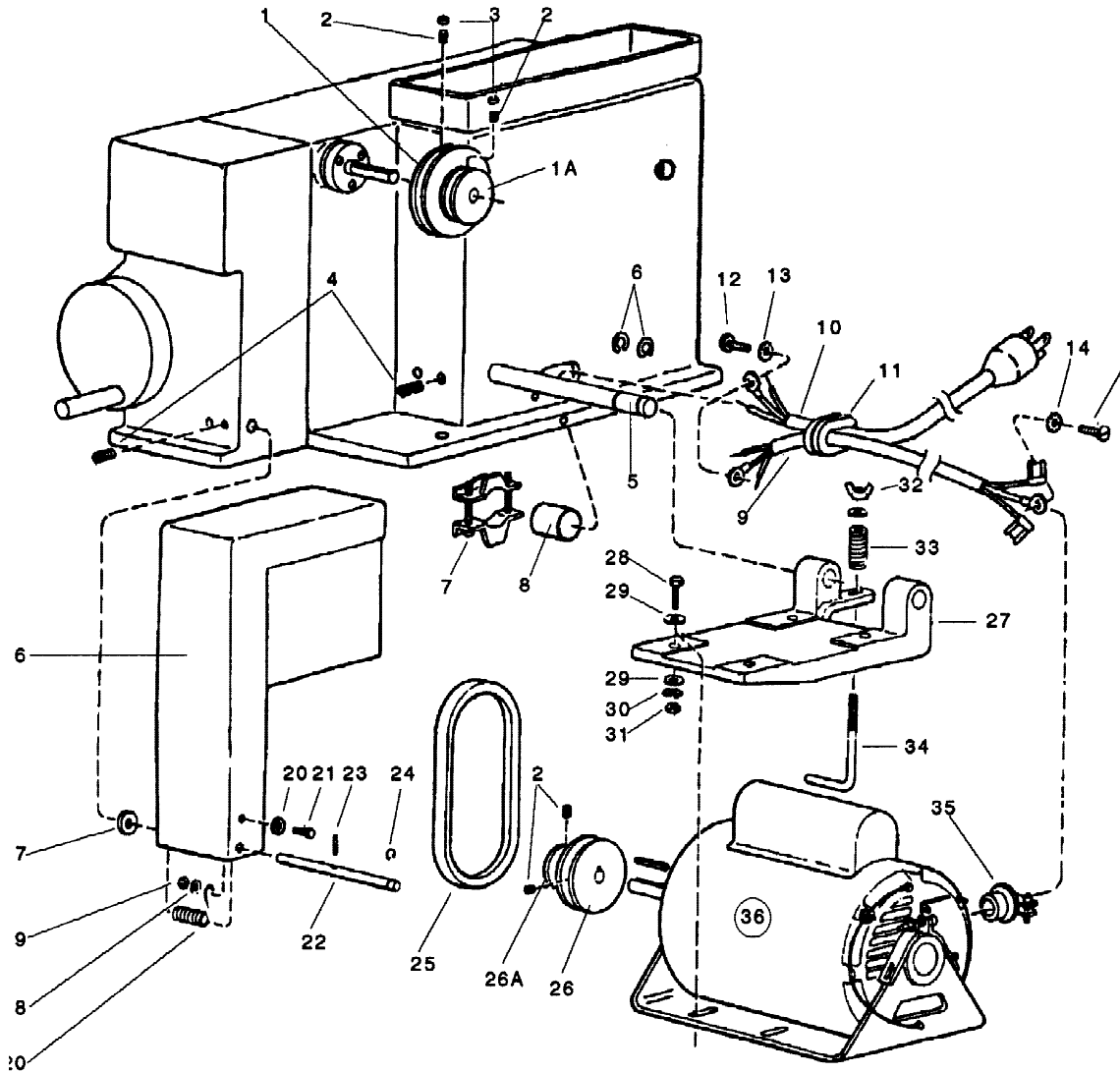
<u>Ref No</u>	<u>Part No</u>	<u>Description</u>
1	1006691	Tool Bar
2	1015540	Sq. Hd. Screw 3/8-16x3/4"
3	2011112	Tool Post Holder
4	1109285	Hex Nut 1/2-13 Heavy
5	1107385	SAE Washer 1/2"
<b>6</b>	90681	Adjustable Pivot Post
7	1016843	Pivot Post T-Nut
8	90282	Button Plug
9	1109591	Hex Nut 5/8-18
10	90678	Dial Wheel Assembly
11	8027258	Dial Wheel Locking Element
12	8027272	Dial Wheel Shim
13	1185064	Ball Bearing
14	90071	Cross Slide Feed Screw
15	1120023	Truss Hd. Screw 1/4-20x1/2"
<b>16</b>	9010340	Cross Slide Assembly
17	—	Cross Slide Gib
	8027218	Before Ser No. 1791
	8027286	After Ser. No. 1790
18	—	Dowel Pin, Cross Slide Gib
	1110180	Before Ser No. 1791
	1016867	After Ser. No. 1790
19	1016865	Soc Setscrew 1/4-20x1-1/4"(To Ser
1791)	20	1121549 Hex Jam Nut, 1/4-20
21	—	Mounting Lock Screw
	<b>1016777</b>	Before Ser No. 1791 - with T-Handle
	1016868	After Ser. No. 1790
22	8027285	Pressure Lock Plate
23	1110770	Cove Pt. Setscrew, 1/4-20x3/8"
24	1177531	Mac-It Screw, 1/4-20x1/8"
25	1120249	ESNA Lock Nut, 5/16-24
26	1016869	Lock Nut, Cross Slide Gib
27	1112293	HSC Screw, 5/16-18x1-1/2"
28	8027010	Feed Nut Washer
29	90077	Cross Slide Feed Nut
30	1016872	Cross Slide Hex Drive Shaft
31	1016878	Compression Bushing
32	1016879	Compression Nut
33	1016880	Locking Sleeve
33A	1016881	Yoke
--	<b>920073</b>	Svc. Kit Includes 31, 32, 33, 33A
34	8027225	Knee Dovetail Cover
34A	90073	Aluminum Cross Feed Cover
35	8027223	Feed Selector Label
36	8017740	Feed Instruction Label
37	90048	Carriage Knee
38	1110189	Dowel Pin 3/8x1.0"
39	2013028	Carriage Slide
40	1102362	SHS Screw, 3/8-16x1.0"
41	1110598	RHM Screw, #8-32x3/8"
42	8009560	Gib Wiper Plate
43	8009640	Gib Wiper Felt
44	8027221	Carriage Alignment Pointer
45	1187863	PHSM Screw, #8-32x1/4"
<b>46</b>	1016890	Feed Nut Bracket (To Ser. 6154)
47	1102343	SHC Screw 1/4-20x1/2"
48	8027224	Carriage Feed Nut Shield(to 6154)
49	8027235	Carriage Feed Nut Wiper (to 6154)

<u>Ref No</u>	<u>Part No</u>	<u>Description</u>
50	5001520	Flanged Feed Nut Bearing(to 6154)
<b>51</b>	5001530	Needle Bearing Thrust Race, 3/4"
<b>52</b>	5001529	Needle Bearing, 3/4"
53	1016845	Carriage Feed Nut
54	8025720	Nylon Insert, Carriage Nut
55	1100241	Lockwasher 1/4"
56	6002494	Detent Spring
57	1102345	SHC Screw, 1/4-20x1.0"
58	1182563	Hex Jam Nut, 5/16-18
<b>59</b>	90220	Shut-off Rod Assembly
*	90219	Shutoff Sleeve
*	6002110	Spring
*	1102355	Rod, 5/16x18x2"
60	8027215	Carriage Gib
61	1110180	Dowel Pin, Carriage Gib
62	1101515	Sq. Hd. Screw, 1/4-20x1.0"
63	1111599	HHC Screw, 1/4-20x5/8"
64	8027220	Carriage Control Lever
65	1016835	Lever Pivot Spacer
66	8027222	Pressure Lock Cap
67	1016852	Feed Control Shaft
68		No Longer Used
69		No Longer Used
*70	8027273	Control Link(Prior to 9010356)
71	1177551	Roll Pin, Feed Control Shaft,/16x1-3/4"
72	1016841	Link Pivot Shaft
73	1101510	Type E Retaining Ring, 1/4"
74	1101508	Oillite Bearing, 3/4x7/8x3/4"
75	1110818	Soc. Setscrew, 5/16-18x1-1/4"
76	6002493	Carriage Control Lock Spring
77	2511345	Carriage Control Lock Pivot
78	1016844	Lock Pivot Shaft
79	1185427	Type E Retainer Ring, 1/2"
80	1103480	Soc. Setscrew, 5/16-18x1-1/4"
81	8009610	Ball, Black Plastic
82	1112276	Soc. Setscrew (Prev. Design)
83	1016873	Special Washer (Prev. Design)
84	1016890	Feed Nut Carrier
*85	9010356	Service Kit (See Nos. 86 to 91)
86	1016895	Spring Anchor Shaft
87	6002488	Spring
88	8027323	Link Control
89	8027324	Anchor Bracket
90	1101467	Screw, #10-24x1/2"
91	1100240	Lockwasher
92	1115142	Screw FH #8-32x7/16"
93	90067	Bearing Tube Assembly
94	1187794	Screw, 1/4-20x5/8"
95	1100241	Lockwasher 1/4"
96	90075	Retainer Clip
97	90074	Support Washer
98	90076	Bearing, Conveyor Type
99	1118716	Internal Retaining Ring
<b>100</b>	90686	Hex Drive Selector
101	90070	Hex Drive Shaft
102	90009	Feed Nut Assembly

\* NOT SHOWN

**Bold Print** numbers indicate a new or changed number.

# Figure 3 Motor and Guard Group



- 90160 - Belt Guard Assembly
- 90193 - Lathe Motor Assembly
- 90188 - Motor Mount Assembly

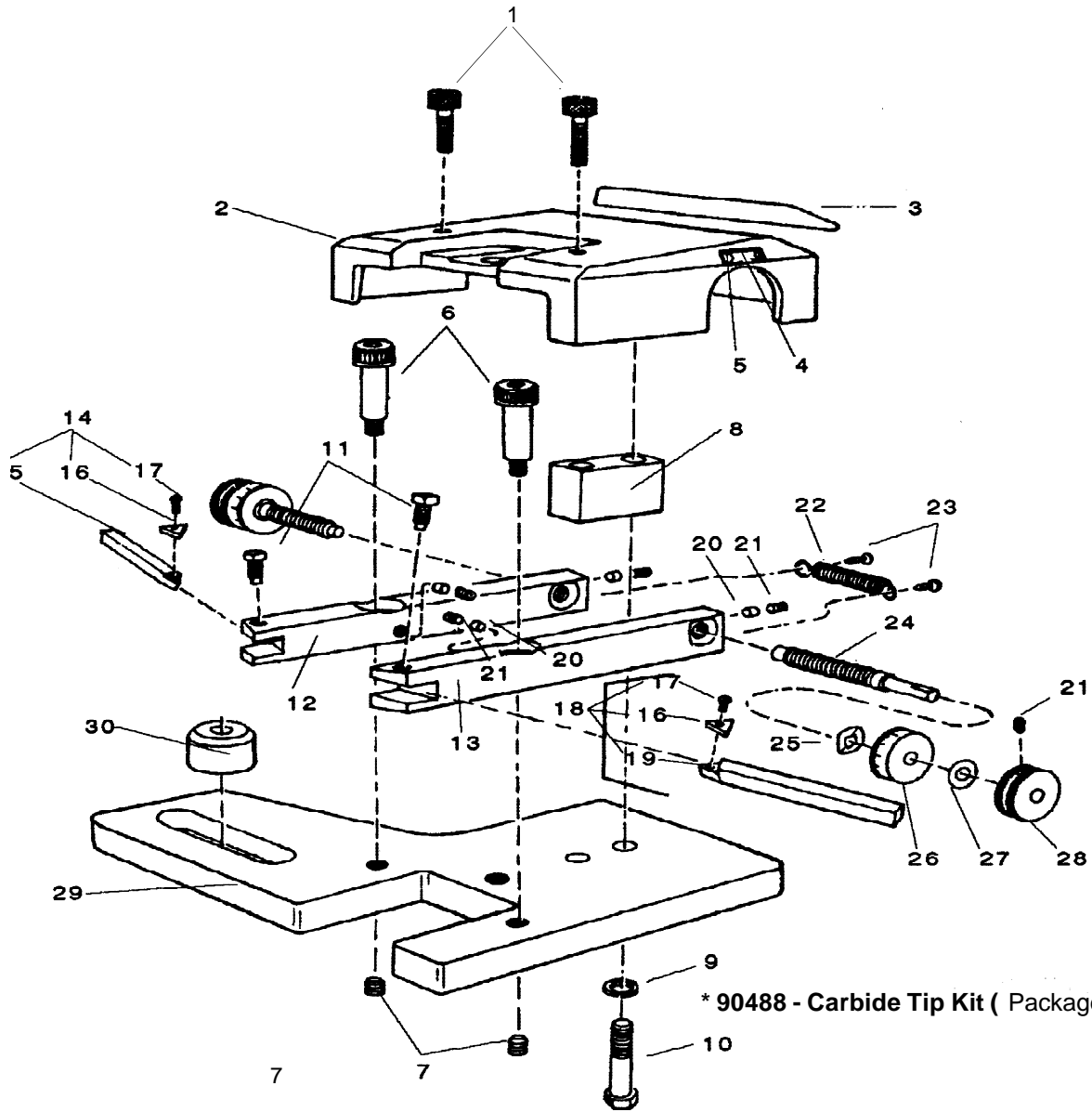
Ref No	Part No	Description
1	1016885	Slow Pulley, Worm Shaft
1A	1016887	Fast Pulley, Worm Shaft
2	1103466	Soc. Setscrew 5/16-18x3/8"
3	1177440	Mac-It Screw 5/16-18x5/32"
4	1103441	Soc. Setscrew 1/4-20x3/8"
5	1006410	Motor Pivot Bar
6	1185430	3/4" Retaining Ring
7	7007630	Power Cord Strain Relief
8	999694	Power Cord PVC Tubing
<b>9</b>	90701	Motor Wire Assy., 3-wire
10	2511355	Power Cord Assembly
11	8027275	Rubber Grommet
<b>12</b>	1102566	Brass Ground Screw 1/2-20
13	1100241	Hsg Gnd Lockwasher 1/4"
14	1187949	Motor Gnd L'washer #10 INT
15	1177216	Self-tap Gnd Screw #10-32
16	2511343	Drive Belt Guard
*	90187	Nyliner Bearing
*	90247	Fuse Label (ENG/FR)
*	90248	Caution Label (ENG/FR)
*	80322	UL Warning Label
*	90022	Motor Stud Retainer
17	8027203	Plastic Belt Guard Spacer
<b>18</b>	1107381	Washer 1/4"
19	1121549	Hex Jam Nut 1/4-20
<b>20</b>	1247425	Belt Guard Torsion Spring
21	1100805	HHC Screw 1/4-20x3/4"
22	1016819	Belt Guard Pivot Shaft
23	1177625	Roll Pin 1/8x3/4"
24	1118799	3/8" Retaining Ring
25	8027227	21" Drive Belt
26	1016886	Motor Shaft Fast Pulley
26A	1016882	Motor Shaft Slow Pulley
27	2006850	Motor Mount
28	1100045	HHC Screw 5/16-18x1"
29	1107382	5/16" Plain Washer
30	1100242	5/16" Lockwasher
31	1182563	5/16-18 Hex Nut
32	1110023	5/16-18 Wing Nut
33	6001100	Tension Compression Spring
34	1006420	5/16-18 Tension Adj. Stud
35	35148	Strain Relief (Motor Wire)
<b>36</b>	90193	115/230V Motor, 50/60Hz
*	90187	Nyliner Bearing (Motor)
*	80280	CSA Label

\* Not Shown

**Bold Print** numbers indicate a new or changed number.



## Figure 4 - Rotor Truer Assembly



\* 90488 - Carbide Tip Kit ( Package of 10 Tips)

Ref No	Part No	Description	Ref No	Part No	Description
1	90692	Tool Bar Lock Screw	17	1101828	PHM Screw #6-32x3/8"
2	2013039	Tool Bar Cover	18	90495	Left-hand Bit Assy.
3	8027129	Name Plate Label			Includes Item numbers 16, 17, 19
4	8027130	Feed Indicator Plate	19	8027135	Left-hand Shank
5	1118611	Screw, RH #2	16	90487	LH or RH Tip
6	1016780	Shoulder Screw, Tool Bar Pivot	17	1101828	RHM Screw #6-32x3/8"
7	1103490	SH Setscrew 3/8-16x3/8"	20	8025720	Nylon Tool Bar Insert
8	8027124	Striker Block	21	1112790	SH Screw, 1/4-20x3/8"
9	1103972	3/8" Lockwasher	22	6002488	Tool Bar Spring
10	1106938	HHC Screw 3/8-16x2-3/4"	23	1118669	RH Screw #10
11	1101457	SH Setscrew 3/8-16x5/8"	24	1016776	Micrometer Screw
12	8027312	Right-hand Tool Bar	25	6002486	Wave Washer 3/8" I.D.
13	8027313	Left-hand Tool Bar	26	1016774	Micrometer Dial
14	90494	Right-hand Bit Assy.	27	8000360	Fiber Washer 3/8x3/4x1/64"
		Includes Item numbers 15, 16, 17	28	1016775	Micrometer Knob
15	8027134	Right-hand Shank	29	8027311	Tool Bar Support
16	90487	RH or LH Tip	30	90711	Spacer

**Bold Print** numbers indicate a new or changed number.