



---

# EEWB543A



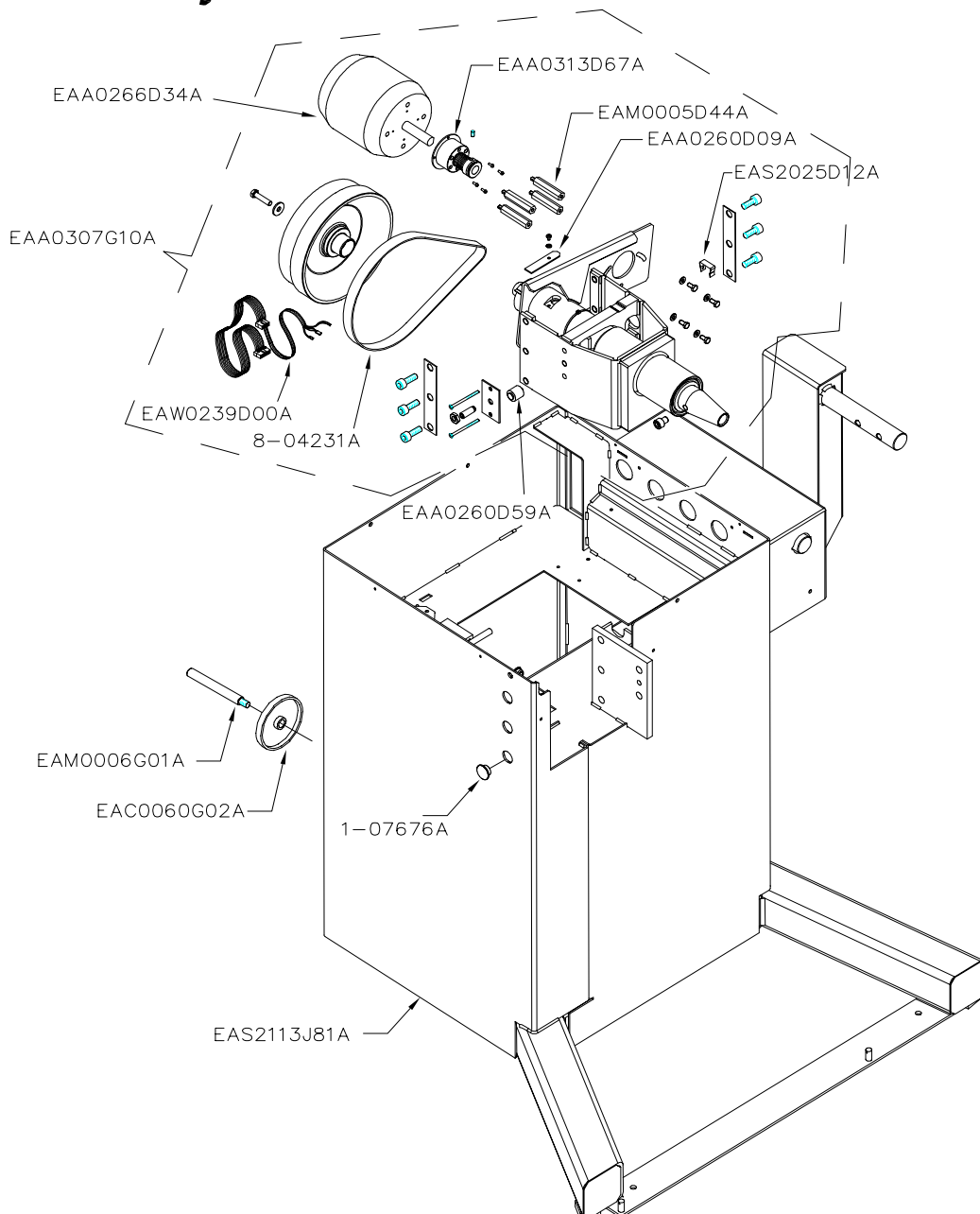
## *Spare Parts Manual*

**All information contained or disclosed in this document is considered confidential and proprietary by Snap-on Tools Company. All manufacturing, use, reproduction, and sales rights are reserved by Snap-on Tools Company and the information contained herein shall not be used in whole or in part without the express written consent of Snap-on Tools Company.**

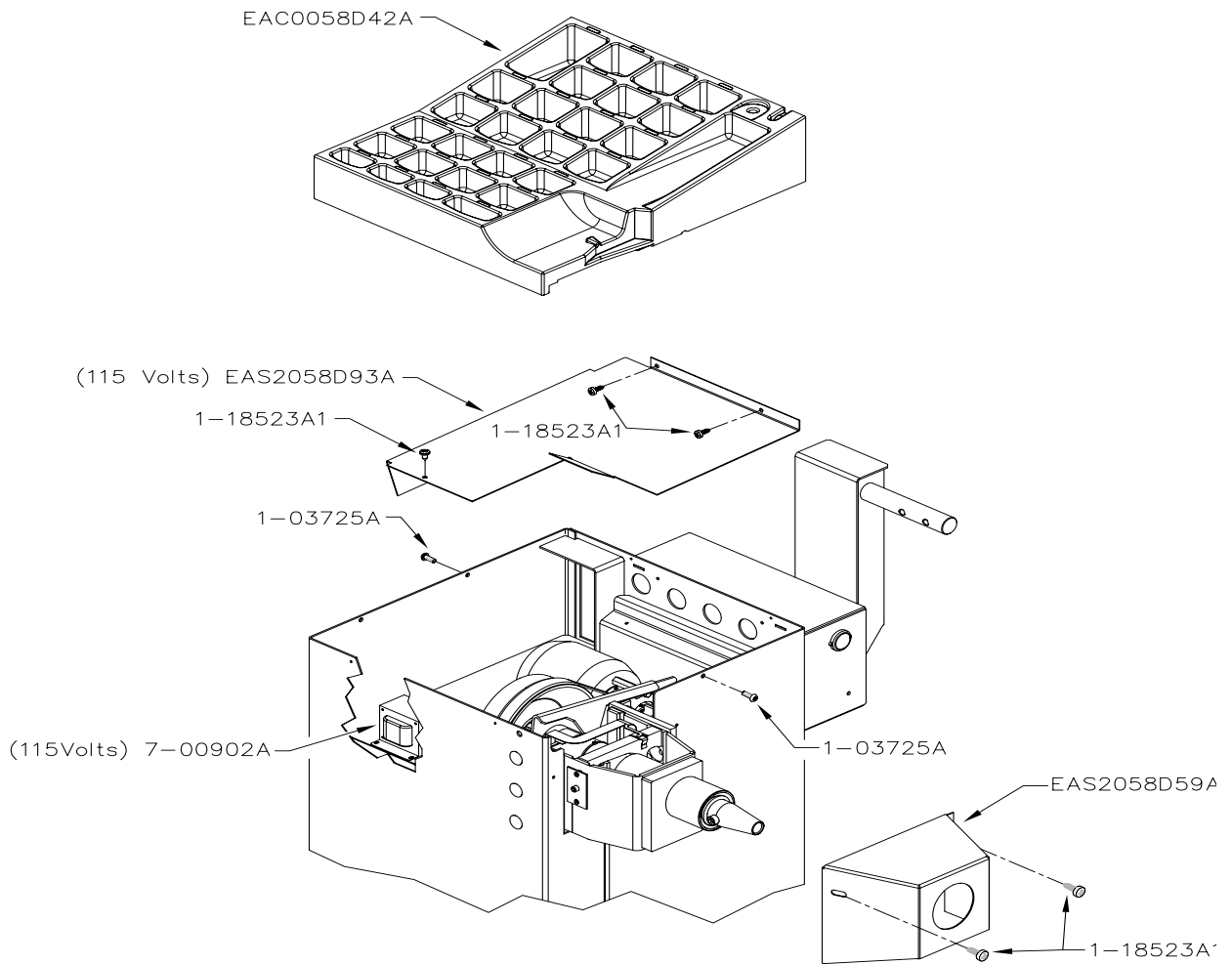
# Table of Contents

Vibratory system with drive unit .....	2
Weight Tray .....	3
Display Tower .....	4
Display Assembly .....	5
2D SAPE Assembly .....	6
Wheel Guard Carrier.....	7
Electronic Box .....	8

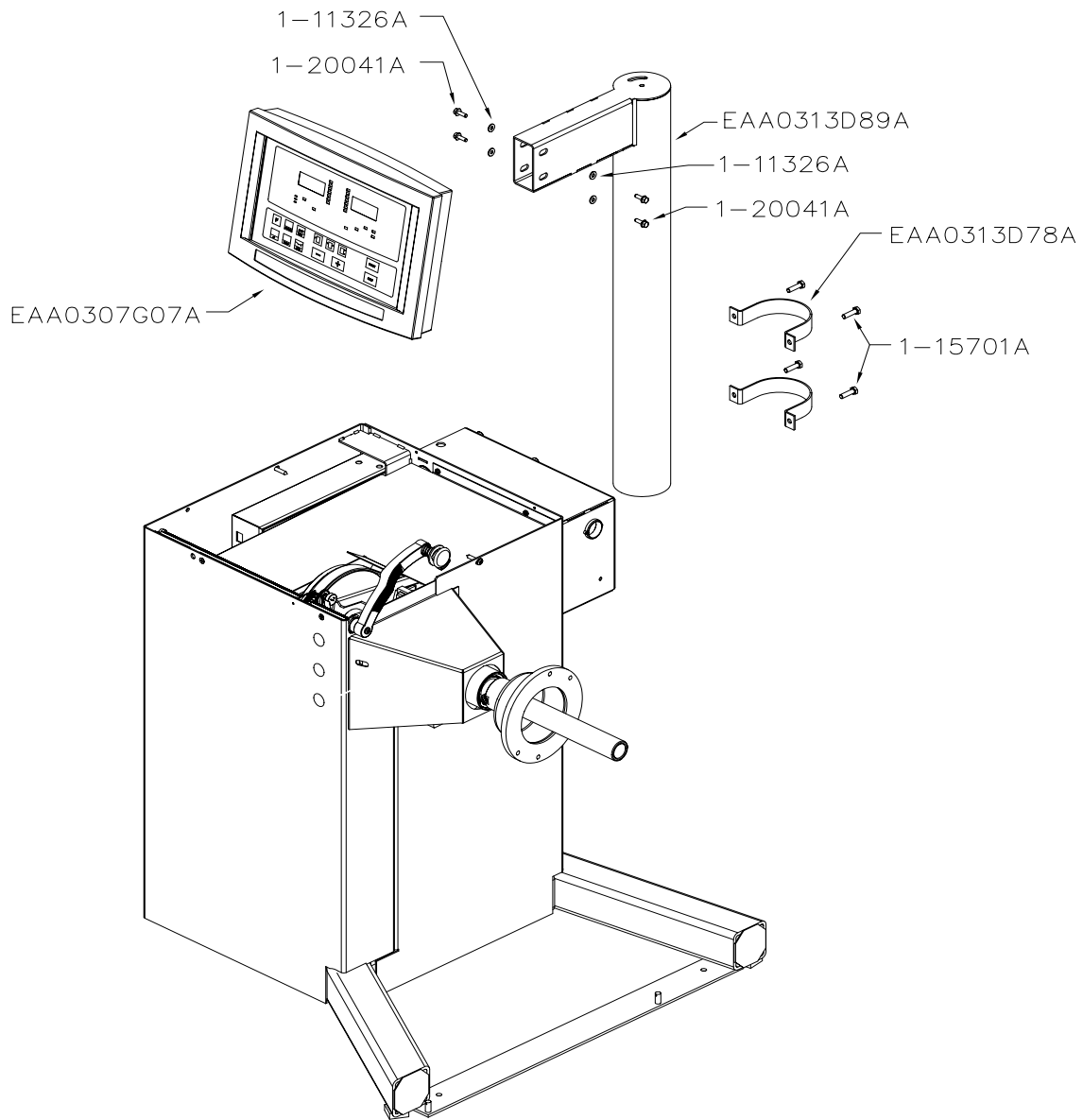
# 1400.jbc



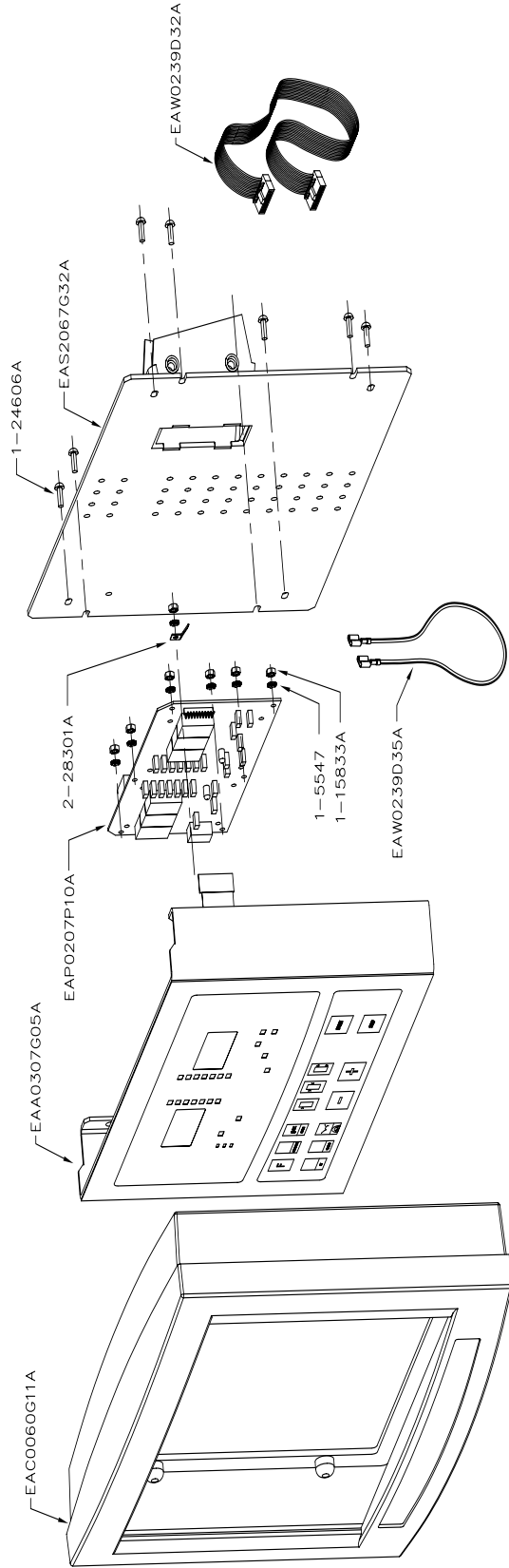
# 1401.b



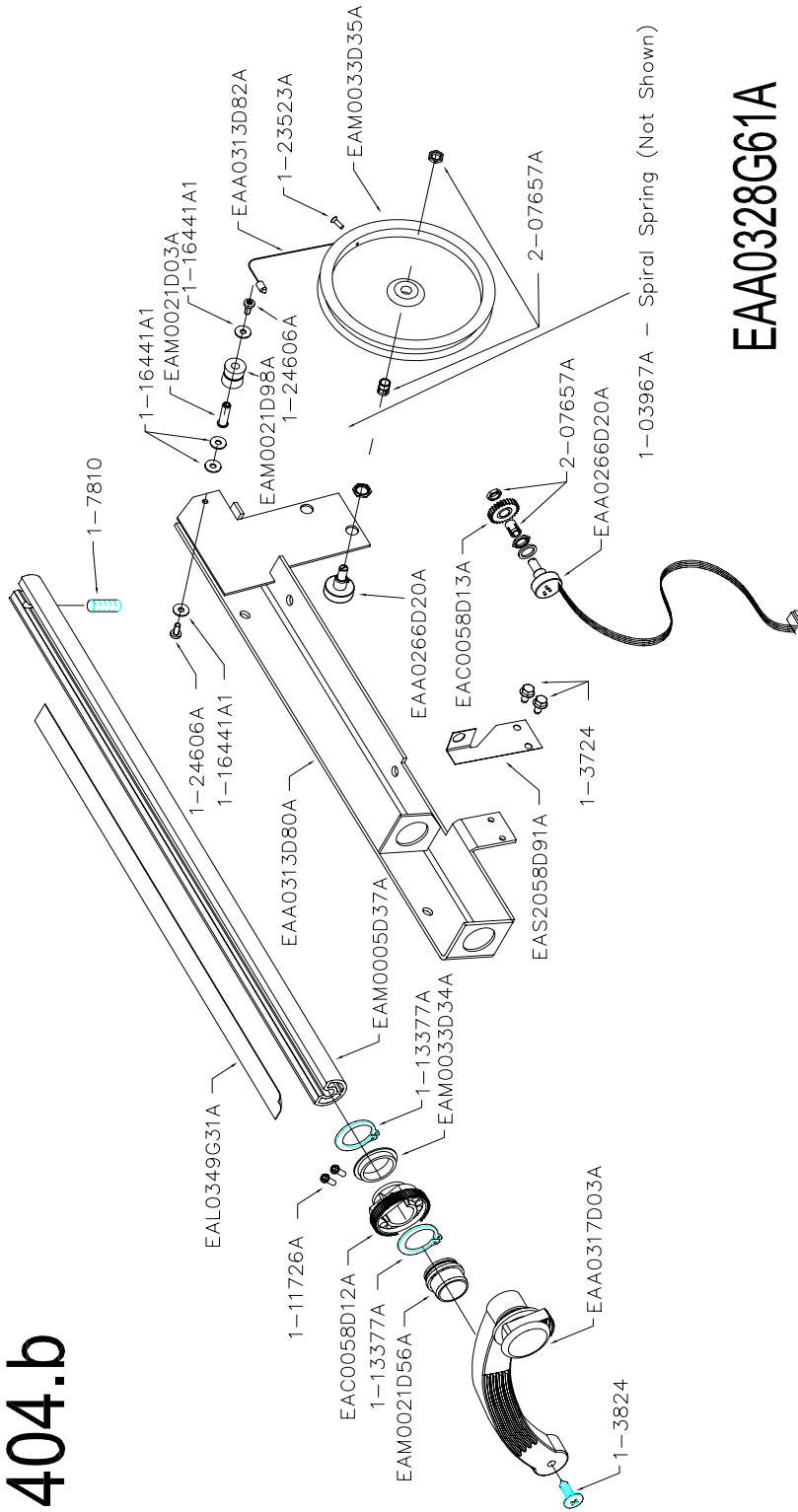
# 1402.b



# 1403.b



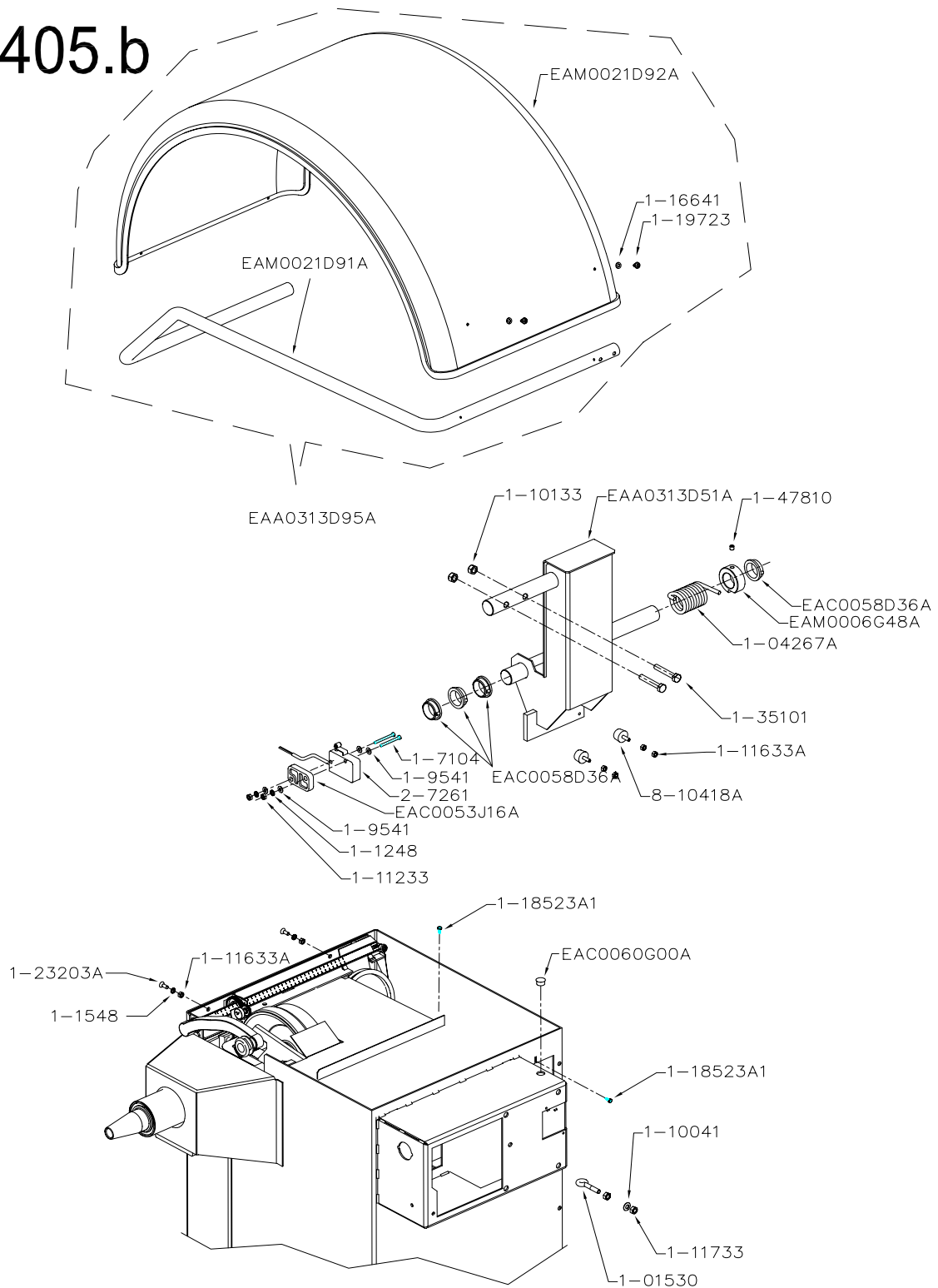
# 1404.b



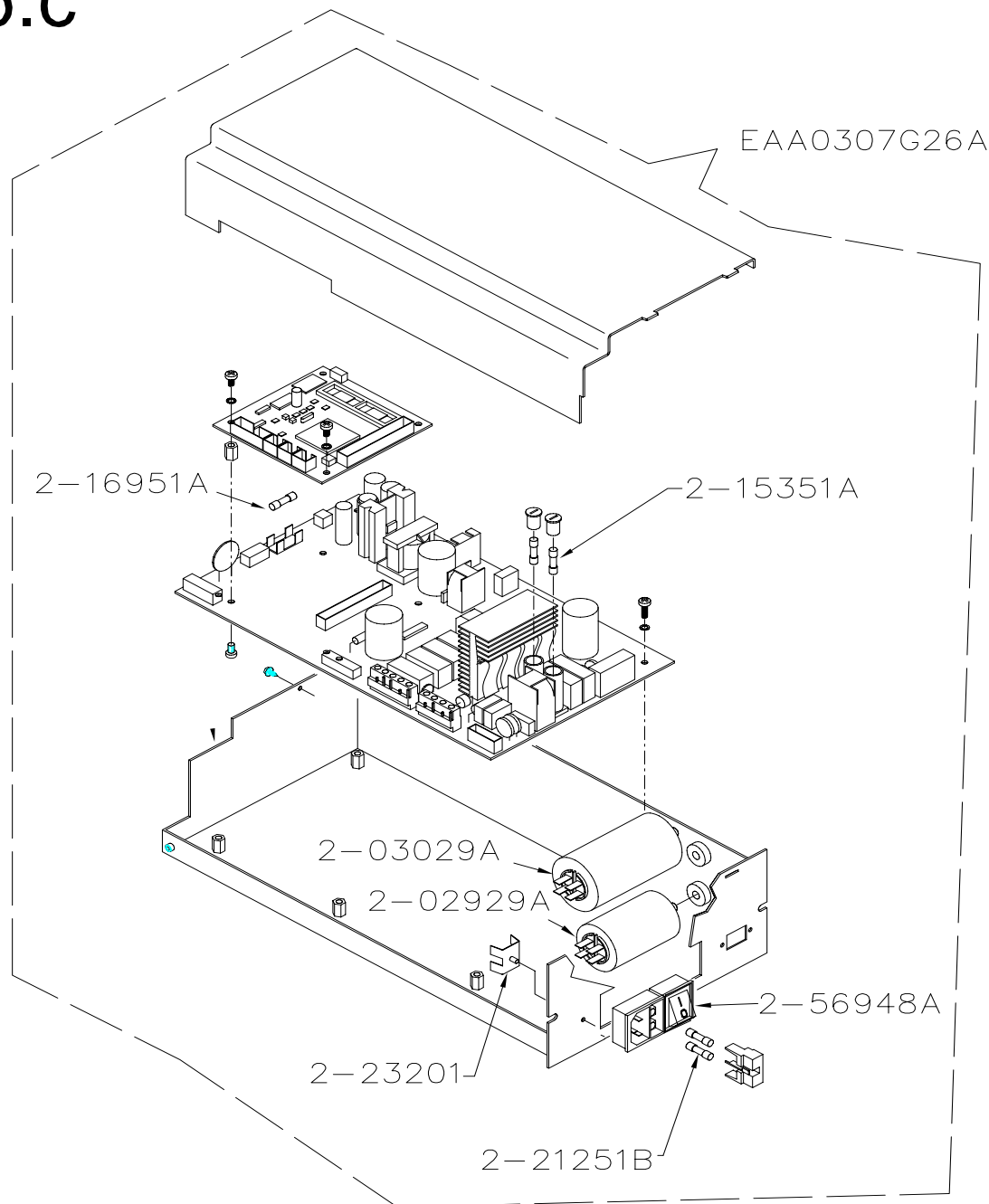
EAA0328G61A



1405.b



# 1406.c







**John Bean**

309 Exchange Avenue

Conway, AR 72032

Phone 501-450-1500

Fax 501-450-2085

[www.snaponequipment.com](http://www.snaponequipment.com)

**Notice:** The information contained in this document is subject to change without notice. **Snapon Equipment** makes no warranty with regard to this material. **Snapon Equipment** shall not be liable for errors contained herein or for incidental consequential damages in connection with furnishings, performance, or use of this material.

This document contains proprietary information which is protected by copyright and patents. All rights are reserved. No part of this document may be photocopied, reproduced, or translated without prior written consent of **Snapon Equipment**.