



BFH 1000 ***WHEEL BALANCER***



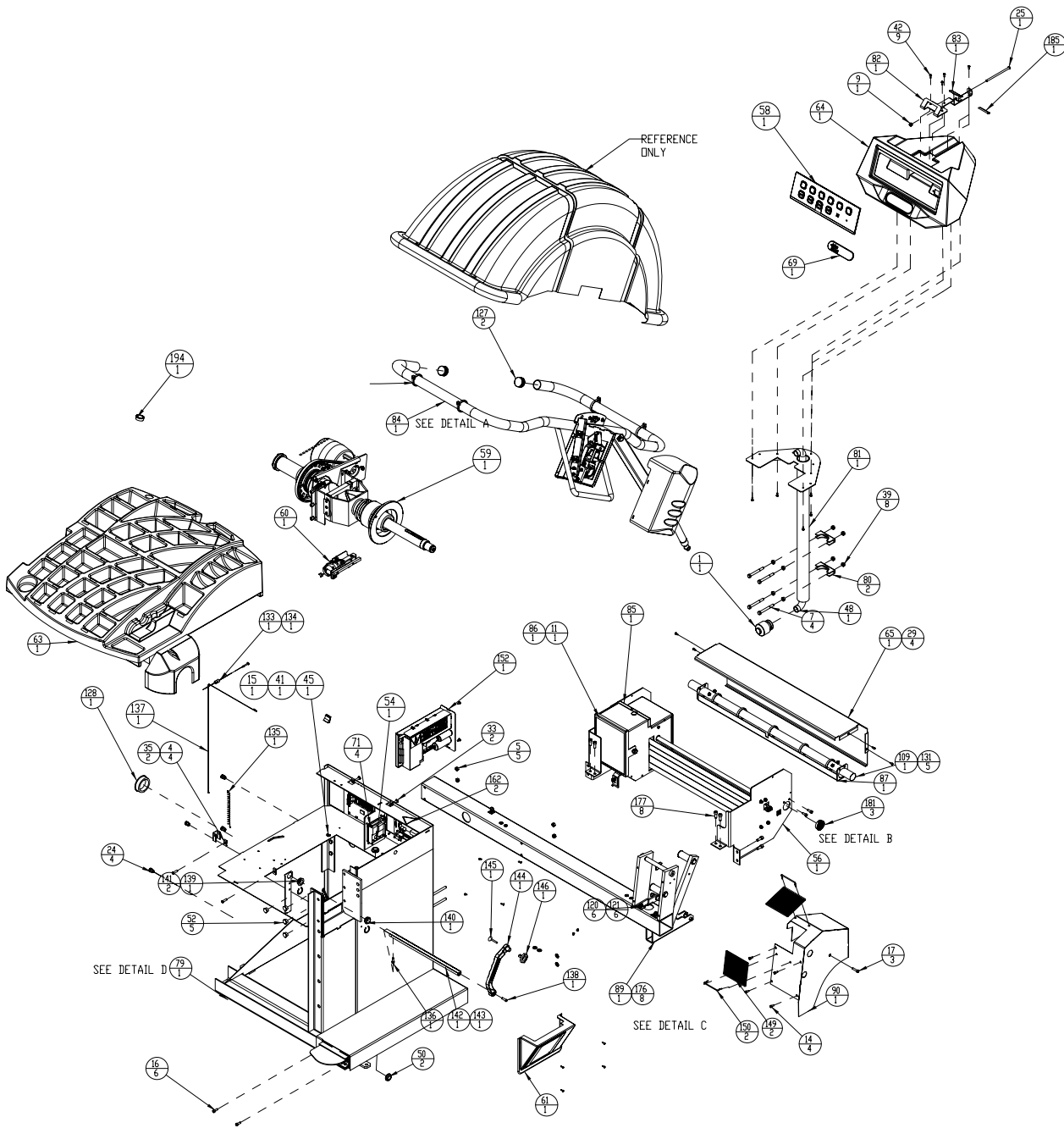
EEWB519B

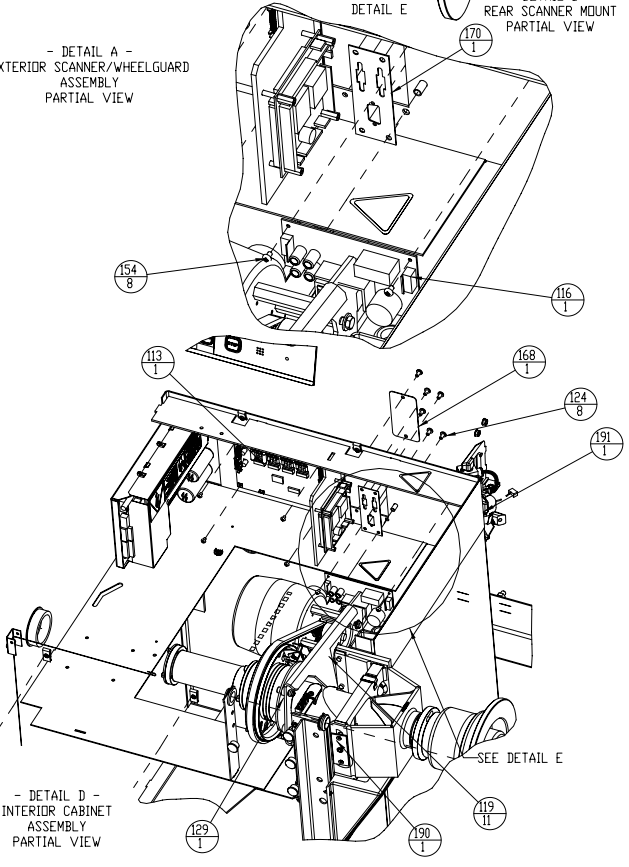
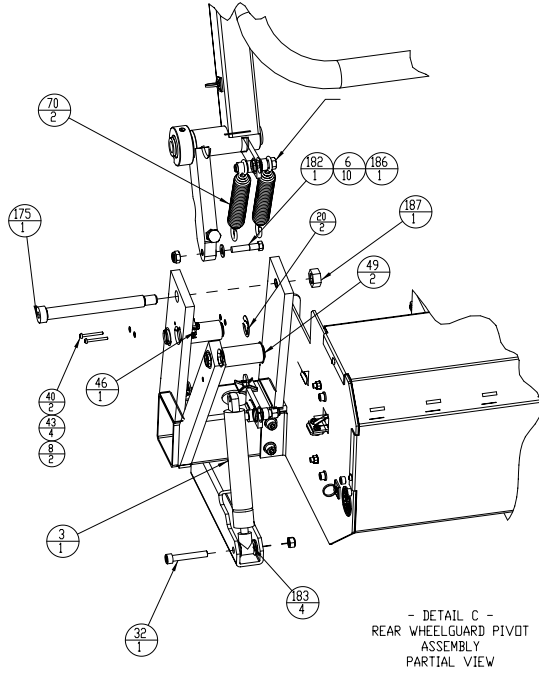
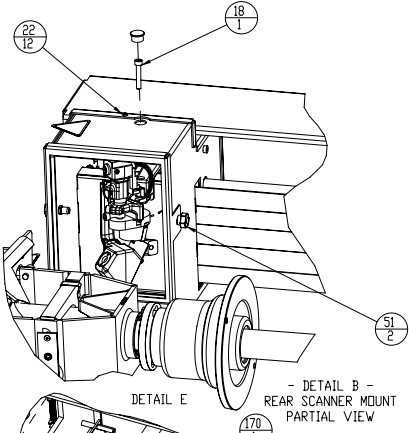
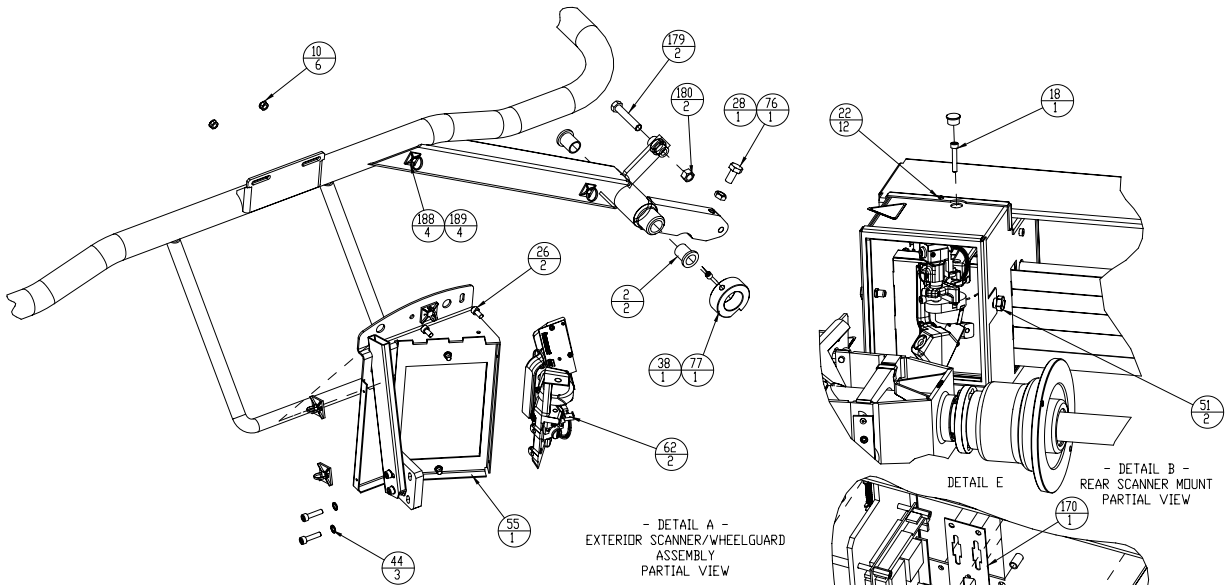
Parts Manual

All information contained or disclosed in this document is considered confidential and proprietary by Snap-on Equipment. All manufacturing, use, reproduction, and sales rights are reserved by Snap-on Tools Company and the information contained herein shall not be used in whole or in part without the express written consent of Snap-on Equipment.

PART NUMBER	DESCRIPTION	QTY
3-03708A	MONITOR-LCD 17W	1
8-29860A	CARTON-BHF1000	1
8-29960A	SKID-BFH1000	1
EAX0039J02A	CORD-POWER 230V PIGTAIL	1
58839000	TOOL-PDQ WEIGHT PASS CAR*TEXT	1
EAC0053J41A	COVER-WHLGD BFH	1
EAC0060G02A	FLANGE-COVER ACCESSORY HOOK	4
EAM0006G01A	HOOK-ACCESSORY STORAGE	4
EAM0005D40A	CALIBRATION WEIGHT	1
EAS2021J24A	SHEET-FIRESHIELD	1
5-05245A	CABLE TIE-8	4
1-5433	NUT & L/WASHER ASSY 5/16-18	3
1-1115	BOLT-HEX 5/16-18X3 UNC 2ATAP	3
1-541	WASHER-FLAT 5/16	3
2-3657	CABLE CLAMP (FLAT CABLE)	6
1-21023A	SCREW-HEX HEAD TYPE A 10X0.5	4
1-45709A	SCREW-BHCS-M8 X 30MM	1
1-19841A	WASHER-FLAT M8	1
ZEEWB519A9	LIT PACK-VP1 SYSTEM V	1
EAA0255J17A	DWG-LABEL PLACEMENT Y2K BAL	1
EAL0341J96A	LABEL-BALANCER WARNING REAR	1
EAL0341J97A	LABEL-BALANCER WARNING SIDE	1
EAL0343J76A	LABEL-ELECTRICAL/SERIAL	1
EAL0341J58A	LABEL-BFH1000	1
EAL0341J63A	LABEL-PATENT	1
EAA0307G54A	ACCY KIT-PWR CLAMP (6420001)	1
EAA0247G21A	CALIPER-RIM WIDTH	1
EAL0341J56A	LABEL-LASER	3
EAL0341J57A	LABEL-CAUTION	1
EAL0341J16A	DECAL-LOGO JBC	1
EAL0341J44A	LABEL-MAXIMUM WHEEL WEIGHT	1
5-03345A	TIE-PANDUIT PLT4HTL	4
89209000	CORD-POWER ADAPTER 12	1
EAL0307L00A	LABEL-CANADIAN CERTIFICATION	1
3-02309A	MODULE FLASH 44 PIN VERT	1
EAL0341J70A	LABEL-LASER APERTURE	3
EAL0341J71A	LABEL-CFR CERTIFICATION	1
EAL0392J89A	LABEL-CUST SVC JBC	1

BALANCER ASSEMBLY
EAA0255J48A



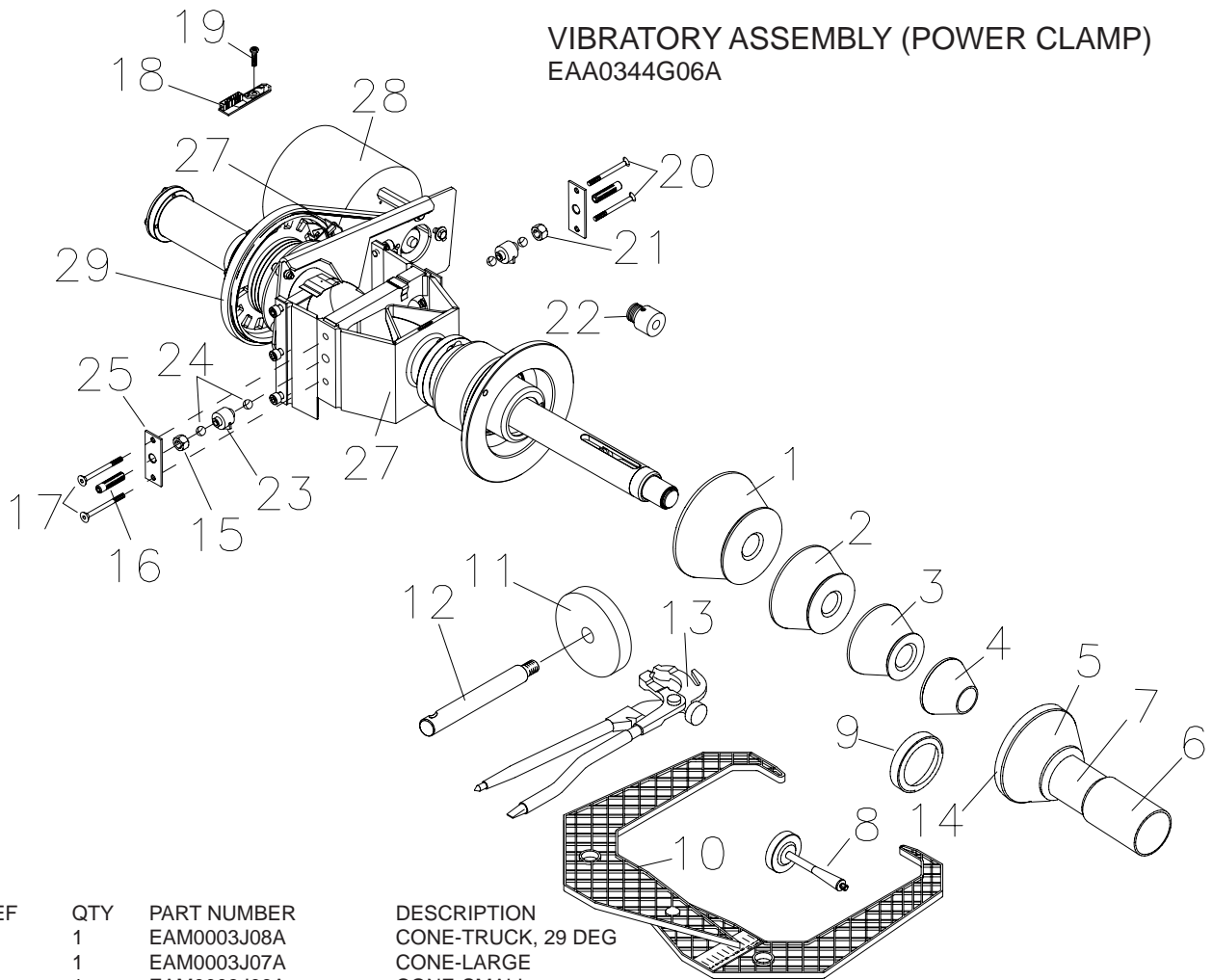


SYM	REQD	PART NO	DESCRIPTION
1	1	1-02583A	CONNECTOR - STRAIGHT, STRAIN RELIEF
2	2	1-05163A	BEARING - FLG, 5/8" SHAFT
3	1	1-04769A	SPRING - PNEUMATIC PISTON
4	4	1-07439A	NUT - SPEED, "U" TYPE,
5	5	1-10033	NUT, HEX, M8
6	10	1-10041	WASHER D.8 UNI6592-69/DIN125
7	4	1-1115	BOLT - HEX, 5/16-18 X 3,
8	2	1-15033	NUT-KEPS, M3 - .5
9	1	1-1137	NYLON INSERTED NUT 1/4-20
10	6	1-25433A	NUT-M6 KEPS, SERRATED LW ZINC
11	1	1-11884A	GLASS REAR
14	4	1-14909	SCREW - SHCS, M5 X 12MM, ZINC
15	1	1-1548	WASHER-EXT,SHAKEPROOF 6MM
16	6	1-16309	SCREW - SHCS, M6 X 16MM,
17	3	1-16509	SCREW - SHCS, M6 X 25MM, ZINC
18	1	1-16709	SCREW - SHCS, M6 X 3.5
20	2	1-16877A	RETAINING RING - M15 X 1,5MM, BLK
22	12	1-17223A	SHEETMETAL SCREW PHIL HEAD
24	4	1-17659A	NUTSERT - M10
25	1	1-18302A	SCREW-RHMS, 1/4-20 X 5, SLOTTED
26	2	1-16209	SCREW HEX SOCKET HEAD CUP M6X12
28	1	1-5733A	NUT-HEX,3/8
29	4	1-20423	SCREW, SELF TAPPING M4.2 X 13MM
32	1	1-30309A	SCREW - SHCS, M8 X 50MM, BLK
33	2	1-30706A	SCREW-BHMS 1/4-20 X 1.5
35	2	1-39809A	SCREW-BHCS,1/4-20 X 1"
38	1	1-47810	SCREW, SET, FLT PT M8 - 1.25 X 8MM
39	8	1-5433	NUT & L/W SHR ASSY 5/16-18 EXT. TOOTH
40	2	1-7104	SCREW - PAN HS, M3 X 30
41	1	1-3924	SCREW-PHMS, M4.8 X 8MM SELF TAP
42	9	1-9323	SCREW-SELF TAP "A" ROUND HEAD PHILLIPS
43	4	1-9541	WASHER-FLAT,M3 DIN 125A
44	3	1-04648A	WASHER-M6 EXT TOOTH, DIN6797A
45	1	2-23201	TERMINAL LUG-6.3MM X .8MM POP RIVET
46	1	2-08861A	SWITCH-BASIC
47	1	3-45226AD1	MEMORY CARD - PROGRAMMED, BFH 1000
48	1	5-06135A	TUBING-FLEXIBLE,1" UNSLIT
49	2	8-00921A	COVER - WHEELGUARD STOP TUBE
50	2	8-08516A	GROMMET-5/8X7/8X1/8
51	2	8-11330A	KNOB - BLACK, M6 X 15MM THREADS
52	5	8-7216	PLUG-HOLE, 16MM DIA
54	1	3-03309A1	EMBEDDED-PC, PROG. MEM. CARD
55	1	EAA0255J81A	SUPPORT ASS'Y - SCANNER,
56	1	EAA0255J78A	REAR LINEAR DRIVE
57	1	EAA0346J82A	ASSY - FOOT PEDAL POWER CLAMP
58	1	EAA0307G67A	KEYPAD GEO 6800/4800
59	1	EAA0344G06A	V.S. "P" OPTIMA - UL
60	1	EAA0307G13A	INSIDE SCANNER ASSEMBLED UNIT
61	1	EAA0346J13A	ASSY - INSIDE SCANNER COVER
62	2	EAA0332G74A	EXTERNAL SCANNER GROUP
63	1	EAC0053J02A	WEIGHT TRAY - JB VPI SYSTEM III
64	1	EAC0053J19A	MONITOR SUPPORT- CRT/LCD
65	1	EAS2081J49A	COVER - REAR DEVICE
67	1	EAC0053J49A	COVER - LASER, EXTERNAL
69	1	EAL0343J00A	NAMEPLATE - JBC, CCD SENSOR
70	2	EAM0006G94A	TENSION SPRING

71	4	1-15661A	STANDOFF - HEX, M3 X 15MM BRASS
76	1	1-1401	SCREW, HHCS 3/8 - 16 X 1
77	1	EAM0006G02A	WHEELGUARD TUBE RING
79	1	EAS2081J22A	CABINET WLDMT - L1, BFH 1000
80	2	EAS2021J20A	CLAMP - TOWER
81	1	EAS2021J59A	TOWER WLDMT- MONITOR SUPPORT
82	1	EAS2021J66A	BASE BRACKET- MONITOR SUPPORT
83	1	EAS2021J67A	ADJ BRACKET- MONITOR SUPPORT
84	1	EAS2081J48A	WHEELGUARD WELDMENT -
85	1	EAS2021J83A	COVER - REAR, SCANNER
86	1	EAS2021J84A	COVER - GLASS REAR SCANNER
87	1	EAS2081J39A	CANAL - CABLE / MOUNT
89	1	EAS2081J45A	REAR SUPPORT
90	1	EAS2081J05A	PIVOT COVER WELDMENT -
94	1	6-02322A	CABLE-EXTENTION SERIAL
97	1	EAW0233J13B	CABLE ASM - MOTORS, INNER
98	2	EAW0233J14B	CABLE ASM - MOTORS, REAR
99	1	EAW0233J15B	CABLE ASM - MOTORS, OUTER
100	1	EAW0233J16A	CABLE ASM - ENCODER
101	1	EAW0233J17A	CABLE ASM - STOP
102	1	EAW0233J18A	CABLE ASM - RIBBON, DIG DISPLAY
103	1	EAW0265G41A	HIGH FLEX INNER SCANNER CABLE
104	1	EAW0233J20A	CABLE ASM - CCD CAMERA, OUTER
105	1	EAW0233J21A	CABLE ASM - CCD CAMERA, REAR
106	1	EAW0233J22A	CABLE ASM - 3 WAY POWER
107	1	EAW0233J23A	CABLE ASM - HOOD SWITCH
108	1	EAW0233J45A	CABLE - EMBEDDED PC POWER, BFH1000
109	1	5-12132A	SLEEVE - EXPAND, 1.25"-2.00", BLK
113	1	EAP0204G50B	PCB - PROCESSOR, CAMERA
115	1	EAW0243P16B	CABLE ASSY - 6 WAY TO 6 WAY,
116	1	2-37666A	POWER SUPPLY- 10V, 40W
119	11	2-3657	CABLE CLAMP- FLAT CABLE
120	6	5-03945A	MOUNT - CABLE, ABM25-A
121	6	5-05145A	CABLE TIE - 11.38" CLEAR
124	8	1-3724	SCREW-SELF TAP,5 X 10MM
127	2	1-04076A	PLUG - HOLE
128	1	1-08776A	PLUG - DOME, 2.50, BLK
129	1	8-09619A	STRAIN RELIEF - FLAT CABLE
131	5	4500-0029	TIE CABLE (BLACK)
133	1	EAM0005D35A	REEL-GUIDING,SAPE
134	1	8-1940	PIN-PUSHIN,NYLON, .165 X 1.062
135	1	1-03267A	SPRING-EXTENSION,SAPE
136	1	1-13609A	SCREW, HEX SOCKET HEAD M4X16
137	1	6-00504A	ROPE-HEMINGWAY DYNEEMA, TYPE 60
138	1	1-3824	SCREW-SELF TAP,6 X 12MM
139	1	EAM0005D38A	BUSHING-INNER SAPE ROD
140	1	EAM0005D39A	BUSHING- OUTER SAPE ROD
141	2	1-13877A	RING-SNAP, .93 X .044
142	1	EAM0005D37A	ROD - M1
143	1	EAL0349G31A	DISTANCE SCALE
144	1	EAC0053J03A	ARM-SAPE
145	1	1-3624	SCREW-FHMS,5X40MM SELF TAP
146	1	EAC0058D11A	DISK-TOUCHING
149	2	EAC0060G41A	GUARD-POLE PVC
150	2	EAM0006G49A	CLIP-GUARD
152	1	EAA0338G83B	ASSY - IBP DIGITAL BOX
154	8	1-13606A	SCREW-PHMS,M4 X 6MM W/ LOCKWASHER

162	2	8-23562A	LABEL - WARNING
168	1	EAS2081J36A	PLATE - ACCESS, PC
170	1	EAS2081J42A	PLATE - CABLE MT,
175	1	1-03311A	SCREW - SHLD, 5/8 D X 5 1/2,
176	8	1-18359A	NUTSERT, M8
177	8	1-17709	BOLT - M8 X 1.29 X 20MM
179	2	1-1101	SCREW - HHMS 3/8 - 16 X 2.00
180	2	1120240	NUT-STOP,3/8-16, HEX, UNC,
181	3	8-10216A	BUSHING - UNIVERSAL,
182	1	1-49801A	SCREW - HHC, 5/16 - 18 X 1 1/2,
183	4	1107383	WASHER - FLAT, 3/8
185	1	63096001	TRIM - FLEXIBLE
186	1	1-1337	NUT - ESNA, 5/16 -18
187	1	1-933	NUT-HEX, 1/2-13
188	4	5-06945A	CABLE - TIE MOUNT - 4 WAY
189	4	5-2345	CABLE TIE
190	1	EAL0341J65A	DECAL - INSIDE SCAN,
191	1	EAL0341J66A	DECAL - CABINET,
194	1	8-08116A	BUSHING-SNAP 16/16ID,29/64LG

VIBRATORY ASSEMBLY (POWER CLAMP)
EAA0344G06A



REF	QTY	PART NUMBER	DESCRIPTION
1	1	EAM0003J08A	CONE-TRUCK, 29 DEG
2	1	EAM0003J07A	CONE-LARGE
3	1	EAM0003J06A	CONE-SMALL
4	1	EAM0003J05A	CONE-SMALL
5	1	EAA0307G54A	POWER CLAMP NUT ASSEMBLY
6	1	EAC0058D07A	CUP - LARGE PRESSURE
7	1	EAM0005D54A	PLASTIC SLEEVE
*	1	EAC0058D68A	POWER CLAMP NUT
8	1	EAC0058D68A	SPACER
8	1	EAM0005D40A	CALIBRATION WEIGHT
9	1	EAC0058D08A	SMALL PRESSURE DISK
10	1	EAA0247G21A	CALIPER-RIM WIDTH
11	4	EAC0060G02A	FLANGE - COVER,ACCESS
12	4	EAM0006G01A	HOOK - ACCESSORY STORAGE
13	1	00058839000	TOOL - PDQ WEIGHT
14	1	EAC0058D15A	RUBBER RING
15	1	1-11833	NUT-HEX M 10 X 1 DIN 934
16	2	EAM0005D07A	SETSCREW - HEX SOCKET M 10 X 1
17	2	1-19903A	SCREW HEX SOCKET / COUNTERSUNK M 4 X 65
18	1	EAA0344G00A	ENCODER PCB
19	1	1-13004	SCREW PHILLIP PAN HD M 4 X 6
20	2	1-17403	SCREW HEX SOCKET / COUNTERSUNK M 4 X 25
21	1	1-4034	NUT - HEX M 10 X 1 DIN 439
22	1	EAM0005D08A	PULLEY SMALL
23	1	EAA0260D59A	TRANSDUCER
24	4	8-1144	BALL, STEEL
25	2	1-2967	PRETENSION SPRING
26	1	EAA0307G13A	INSIDE SCANNER
27	1	EAA0344G06A	VIBRATORY ASS'Y-MOTORIZED
*	1	EAP0201D20A	POWER CLAMP ENCODER
28	1	EAA0266D29A	MOTOR 230V/50-60HZ
29	1	8-3531	MULTIRIB BELT 5 PJ 711 DIN 7867
*	1	EAW0240G67A	RIBBON CABLE VIBRATORY



John Bean Equipment
309 Exchange Ave.
Conway, AR 72032
501-450-1500

Notice: The information contained in this document is subject to change without notice. Snacon Equipment makes no warranty with regard to this material. Snacon Equipment shall not be liable for errors contained herein or for incidental consequential damages in connection with furnishings, performance, or use of this material.

This document contains proprietary information which is protected by copyright and patents. All rights are reserved. No part of this document may be photocopied, reproduced, or translated without prior written consent