



VPI SYSTEM III

WHEEL BALANCER



EEWB502P

EEWB502B

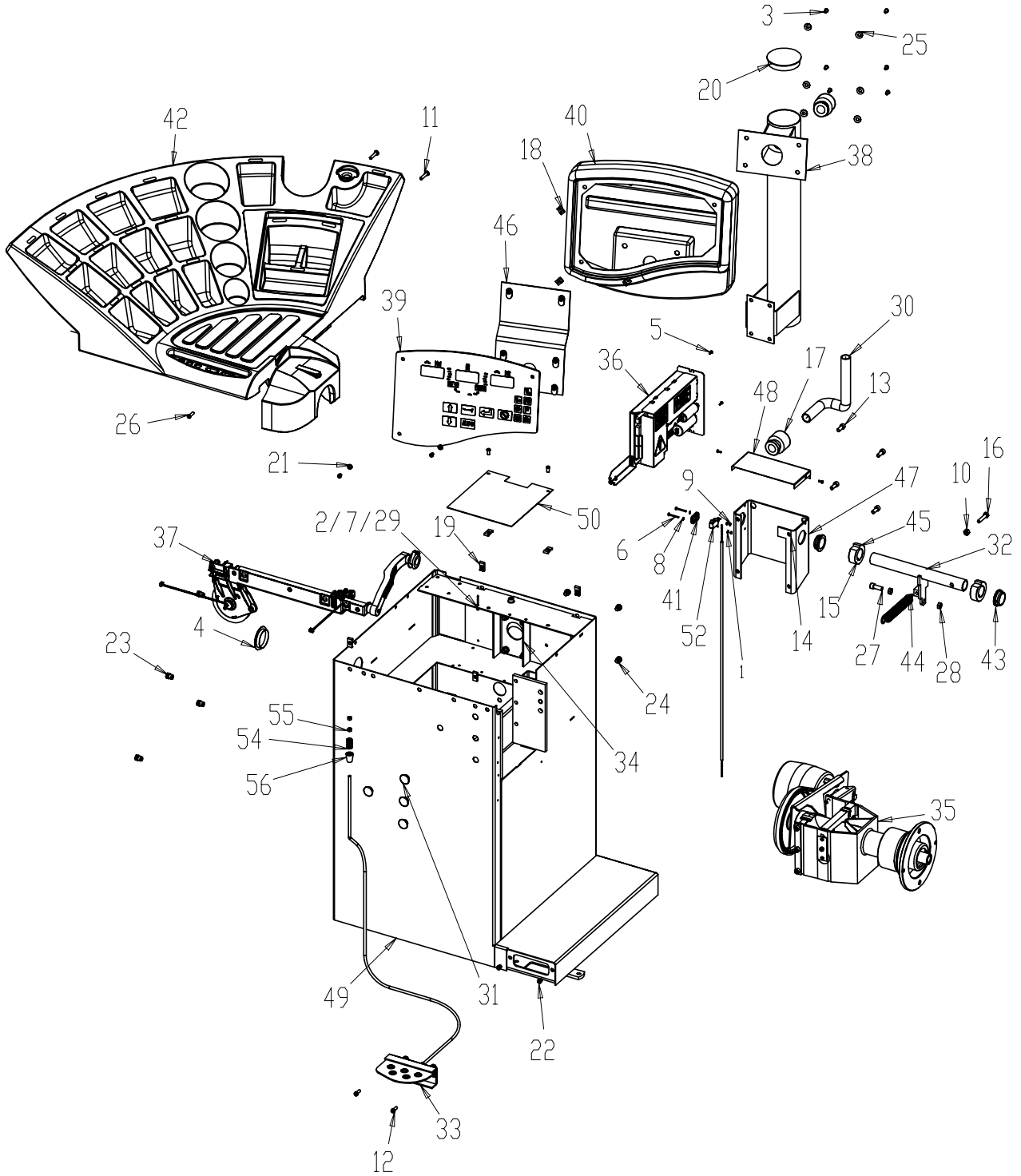
Parts Manual

All information contained or disclosed in this document is considered confidential and proprietary by Snap-on Equipment. All manufacturing, use, reproduction, and sales rights are reserved by Snap-on Tools Company and the information contained herein shall not be used in whole or in part without the express written consent of Snap-on Equipment.

Table of Contents

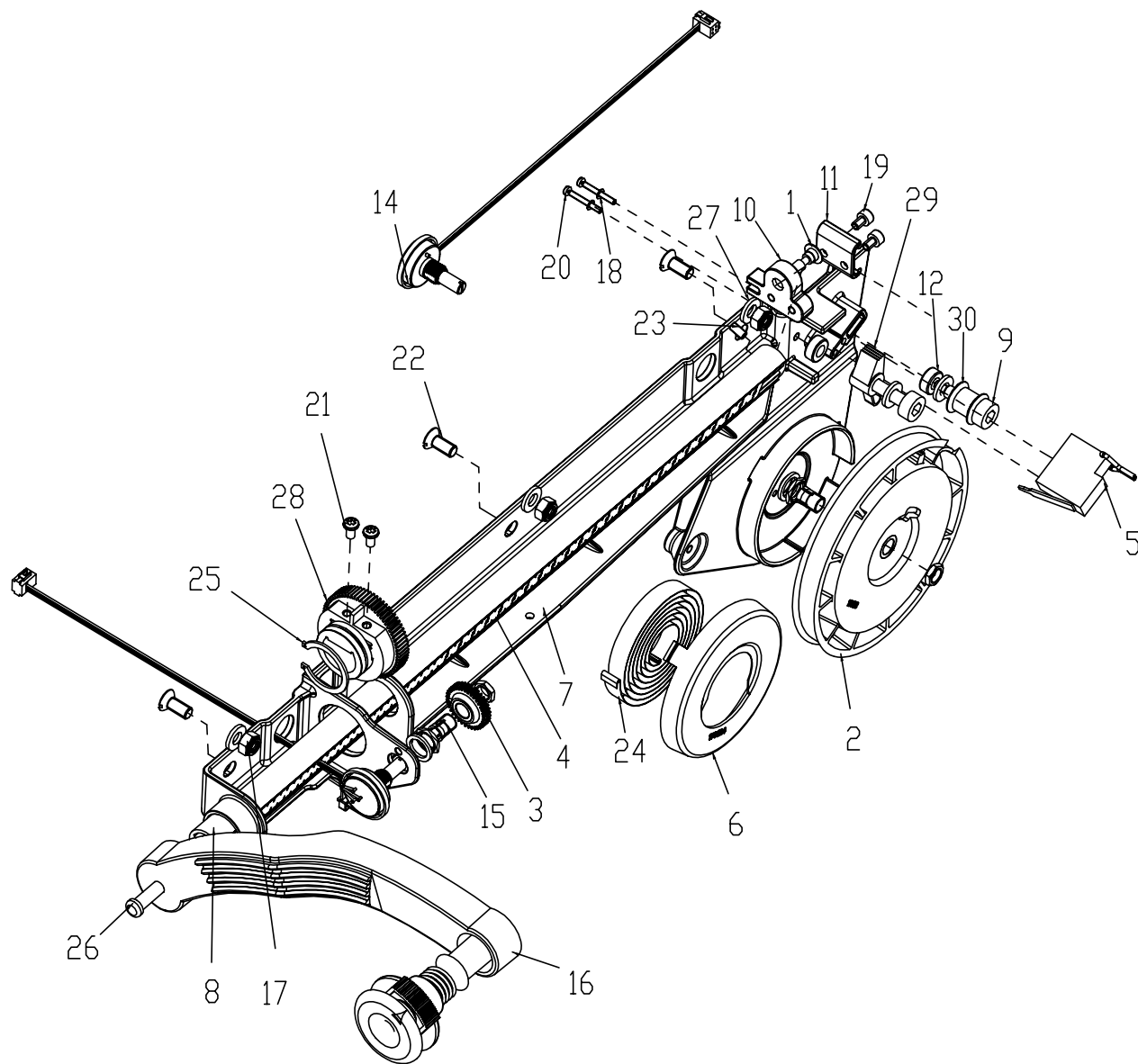
BALANCER ASSEMBLY	2
2D SAPE ASSEMBLY	4
VIBRATORY ASSEMBLY (POWER CLAMP).....	6
VIBRATORY ASSEMBLY	7
CONES AND ACCESSORIES.....	8
UPPER DISPLAY	9
WHEEL GUARD AND 3D SAPE	10

BALANCER ASSEMBLY
EAA0346J07A



SYM	REQD	PART NO	DESCRIPTION
1	2	1-1248	WASHER SHAKE PROOF, M3
2	1	1-1548	WASHER-EXT,SHAKEPROOF 6MM
3	11	1-2509	SCREW-BHCS, 1/4 - 20 X 5/8
4	1	1-2676	PLUG-HOLE, 2"DIA
5	4	1-3724	SCREW-SELF TAP,5 X 10MM
6	2	1-7104	SCREW - PAN HS, M3 X 30
7	1	1-7558	POP RIVET-3/16"
8	2	1-9541	WASHER-FLAT,M3 DIN 125A
9	2	1-11233	NUT - HEX, M3 DIN 934
10	1	1-11833	NUT - M8 - X 1.25 DIN 934
11	2	1-12206	MSCR PNH 1/4-20 X 1-1/4
12	2	1-16309	SCREW - SHCS, M6 X 16MM,
13	9	1-17709	SCREW - SHCS M8 X 20MM
14	9	1-17741	WASHER, 8MM DIN125A
15	2	1-47810	SCREW, SET, FLT PT M8 - 1.25 X 8MM
16	1	1-01515A	SCREW - HHMS 8M -1.25 X 50MM
17	2	1-02583A	CONNECTOR - STRAIGHT, STRAIN RELIEF
18	3	1-07039A	NUT-TINNERMAN,1/4-20, 150 THK, J-TYPE
19	6	1-07439A	NUT - SPEED, "U" TYPE,
20	1	1-10276A	PLUG - HOLE, BLACK 3.35IN - 3.40IN
21	3	1-11744A	WASHER - NYLON FLAT
22	2	1-17559A	NUTSERT - M6
23	4	1-17659A	NUTSERT - M10
24	4	1-18359A	NUTSERT, M8
25	6	1-20141A	WASHER, FLAT- 1/4
26	2	1-39809A	SCREW-BHCS,1/4-20 X 1"
27	1	1-47809A	SCREW - SHCS 3/8-16 X 1
28	2	1-5733A	NUT-HEX,3/8
29	1	2-23201	TERMINAL LUG-6.3MM X .8MM POP RIVET
30	1	5-06135A	TUBING-FLEXIBLE,1" UNSLIT
31	4	8-7216	PLUG-HOLE, 16MM DIA
32	1	EAA0255J29A	WHEELGUARD TUBE- M CABINET ASSY
33	1	EAA0263G07A	ASSY-BRAKE PEDAL
34	1	EAA0263G20A	STIFFENER-DISPLAY TOWER REINFORCEMENT
35	1	EAA0338G36A	VIBR. MOT. UL IF40/28.5
		EAA0344G06A	VIBR. MOT. POWER CLAMP
36	1	EAA0338G83B	ASSY - IBP DIGITAL BOX
37	1	EAA0338G92A	STAND. M1 SAPE 1D-2D A.S.S ASSY
38	1	EAA0346J08A	ASSY - JB VPI SYS III TOWER
39	1	EAA0346J20A	ASSY - DISPLAY JB VPI SYS III
40	1	EAC0053J05A	HOUSING-DISPLAY, L1
41	1	EAC0053J16A	MICROSWITCH PLATE
42	1	EAC0054P11A	BALCO WEIGHT-TRAY
43	2	EAC0060G03A	BUSHING, WHEELGUARD
44	1	EAM0003J21A	SPRING-EXTENSION WHEELGUARD, HD
45	2	EAM0006G02A	WHEELGUARD TUBE RING
46	1	EAS2021J42A	PLATE - INNER, DISPLAY, L1
47	1	EAS2021J43A	BACKPACK- M CABINET BASE
48	1	EAS2021J44A	BACKPACK- M CABINET TOP
49	1	EAS2081J96A	CABINET - M1 RED SPRAYED
50	1	EAS2103J17A	SHEET - FIRESHIELD
51	1	EAW0233J04A	CABLE - JBC DISPLAY
52	1	EAW0233J08A	CABLE-SWITCH ASSY
53	1	EAW0239D19A	EXTENSION WIRE 3D-SAPE
54	1	1-6668	COMPRESSION SPRING
55	2	1-11633	NUT-M6 X 5,2MMTHK, BLK
56	1	EAC0053J15A	BRAKE SPACER

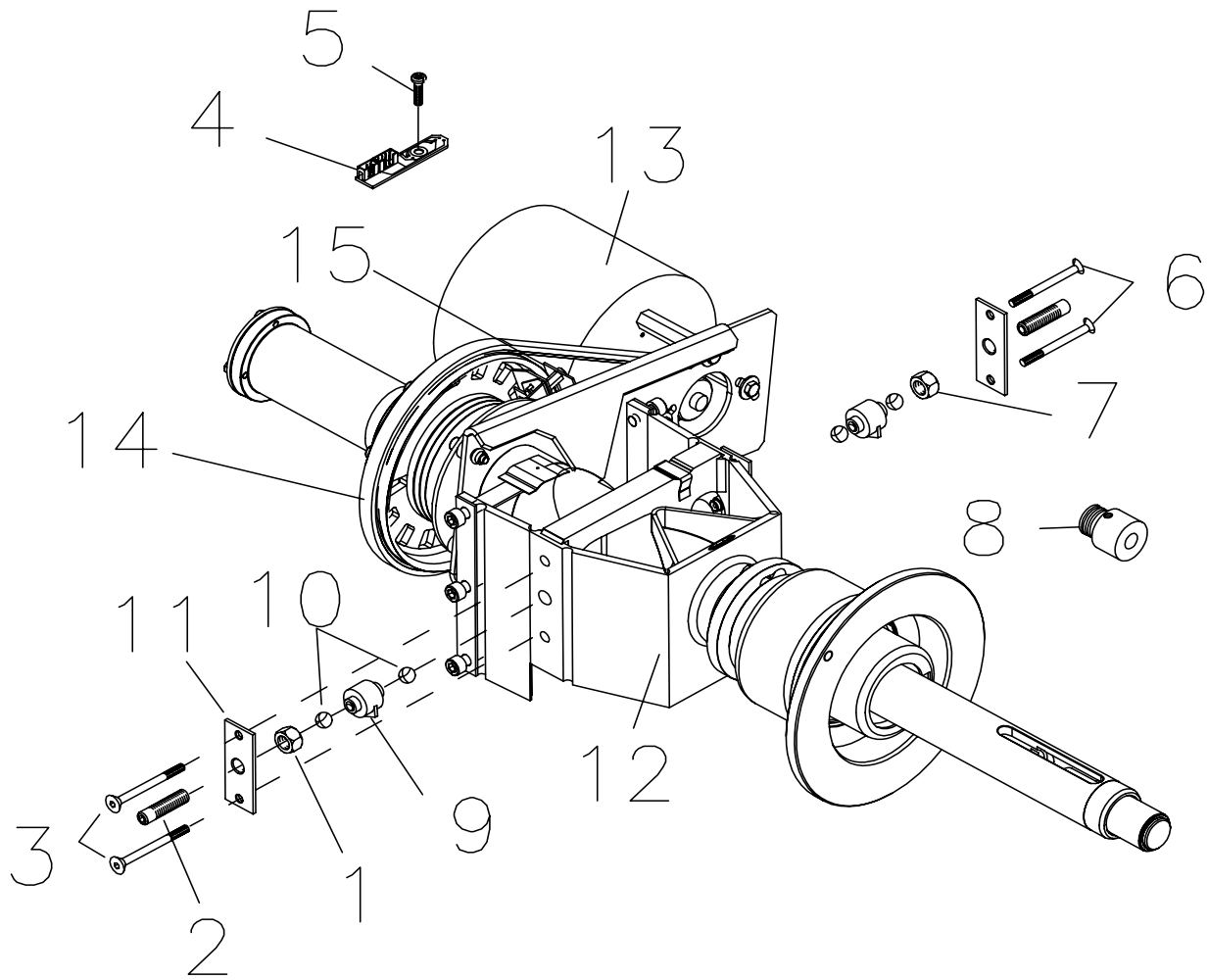
2D SAPE ASSEMBLY
EAA0338G92A



ITEM	QTY	PART NO	DESCRIPTION
1	1	EAM0021D34A	BOLT
2	1	EAC0058D06A	RIEMENHALTEROLLE MIT EINLEGETEIL ROPE REEL 290MM
3	1	EAC0058D13A	COG WHEEL 28 TEETH
4	1	EAL0349G31A	DISTANCE SCALE DECAL (MM)
5	1	2-09437A	CUTOUT BLADE RELAY 3VDC, 3.8W, TRACTIVE
6	1	EAC0058D58A	FEDER-SICHERUNGSDECKEL SAFETY COVER
7	1	EAC0087G60A	M1 SAPE SUPPORT
8	1	EAM0053G17A	STANDARD. ROD SAPE, M1
9	3	EAM0053G15A	STANDARD. ROLL PIN A.S.S
10	1	EAC0087G68A	STANDARD. TORSION LOCK
11	1	EAC0087G71A	STANDARD CALMPING PLATE
12	3	EAC0094G24A	STANDARD. SAPE A.S.S. SPACER
13	1	EAM0055G94A	STAND. SAPE A.S.S. TOOTHED BELT
14	2	EAA0266D20A	ROTATIVE TRANSDUCER 100HM
15	2	2-07657A	CLAMPING DEVICE W/NUT
16	1	EAA0277D94A	SAPE ARM EUROPE W/ EJECTOR
17	3	1-16633A	NUT,SELF LOCK. ALL-METAL M6 A2J DIN6925
18	2	1-20341A	WASHER, PLAIN A 2,7-ST- A2J UNI6592 DIN
19	2	1-46809	SCREW-HEX SOCKET HEAD CAP M4X6 8.8 -A2J
20	2	1-5904	SCREW FIL HD M 2.5 X 20MM DIN 84
21	2	1-11726A	SCREW, SELF TAPPING FOR PLASTIC D4X8MM
22	3	1-03405A	MSCR, OVAL HD M 6 X 14MM
23	1	1-38910	SCREW M4X8SET CUP ZP
24	1	1-03967A	SPRING-SAPE AUTO STOP SYSTEM
25	1	1-13377A	CIRCLIP-27MM X 1.20MM DIN 471
26	1	1-3824	SCREW-SELF TAP,6 X 12MM
27	6	1-9841	WASHER PLAIN, 6MM
28	1	EAC0058D12A	COG WHEEL - 56 TOOTH
29	1	EAC0058D29A	GEARTOOTH
30	2	EAM0005D60A	SMALL GUIDE

VIBRATORY ASSEMBLY (POWER CLAMP)

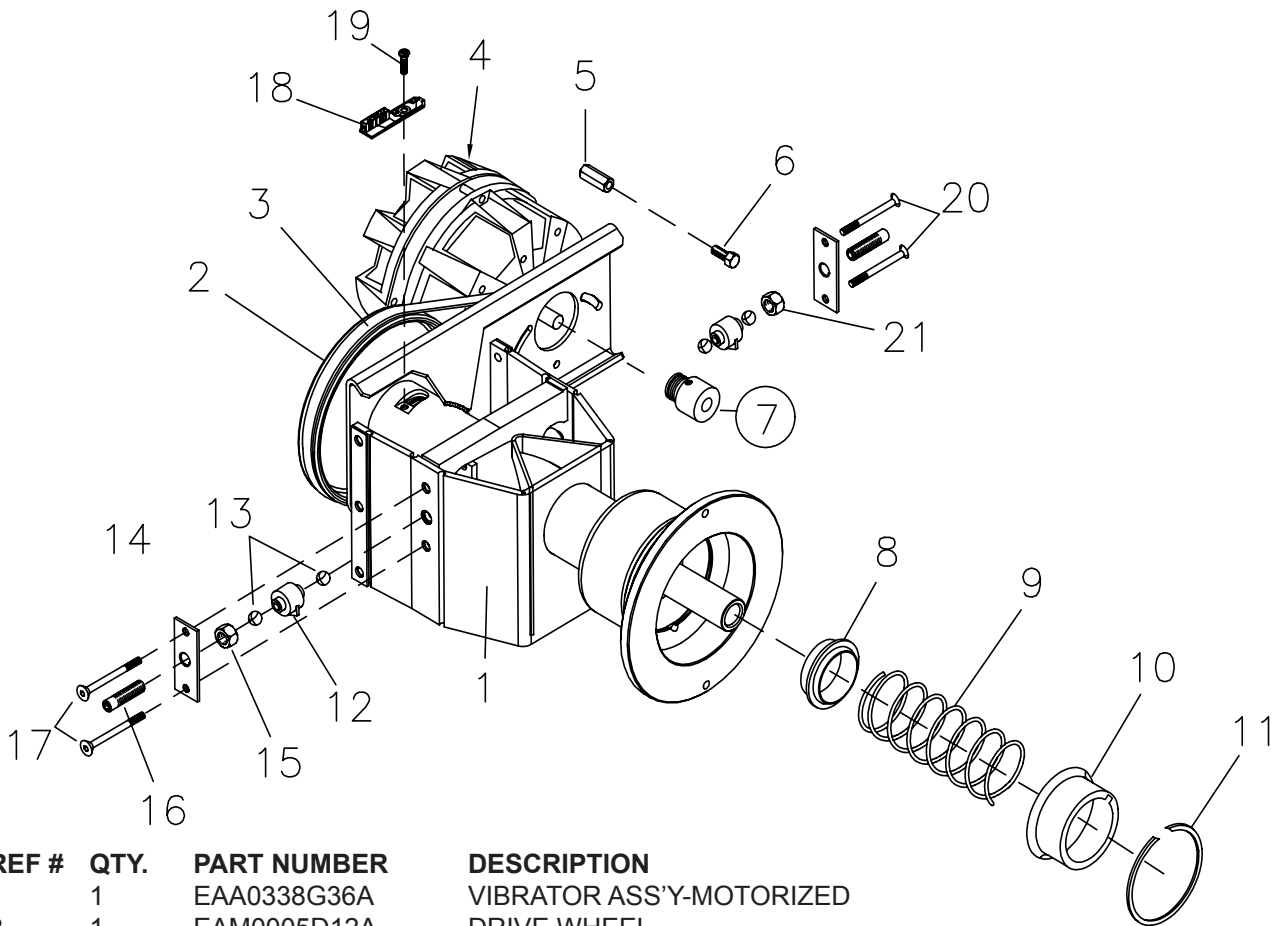
EAA0344G06A



REF	QTY	PART NUMBER	DESCRIPTION
1	1	1-11833	NUT-HEX M 10 X 1 DIN 934
2	2	EAM0005D07A	SETSCREW - HEX SOCKET M 10 X 1
3	2	1-19903A	SCREW HEX SOCKET / COUNTERSUNK M 4 X 65
4	1	EAA0344G00A	ENCODER PCB
5	1	1-13004	SCREW PHILLIP PAN HD M 4 X 6
6	2	1-17403	SCREW HEX SOCKET / COUNTERSUNK M 4 X 25
7	1	1-4034	NUT - HEX M 10 X 1 DIN 439
8	1	EAM0005D08A	PULLEY SMALL
9	1	EAA0260D59A	TRANSDUCER
10	4	8-1144	BALL, STEEL
11	2	1-2967	PRETENSION SPRING
12	1	EAA0344G06A	VIBRATOR ASS'Y-MOTORIZED
13	1	EAA0266D29A	MOTOR 230V/50-60HZ
14	1	8-3531	MULTIRIB BELT 5 PJ 711 DIN 7867
15	1	EAP0201D20A	POWER CLAMP ENCODER
*	1	EAW0239D00A	RIBBON CABLE VIBRATORY

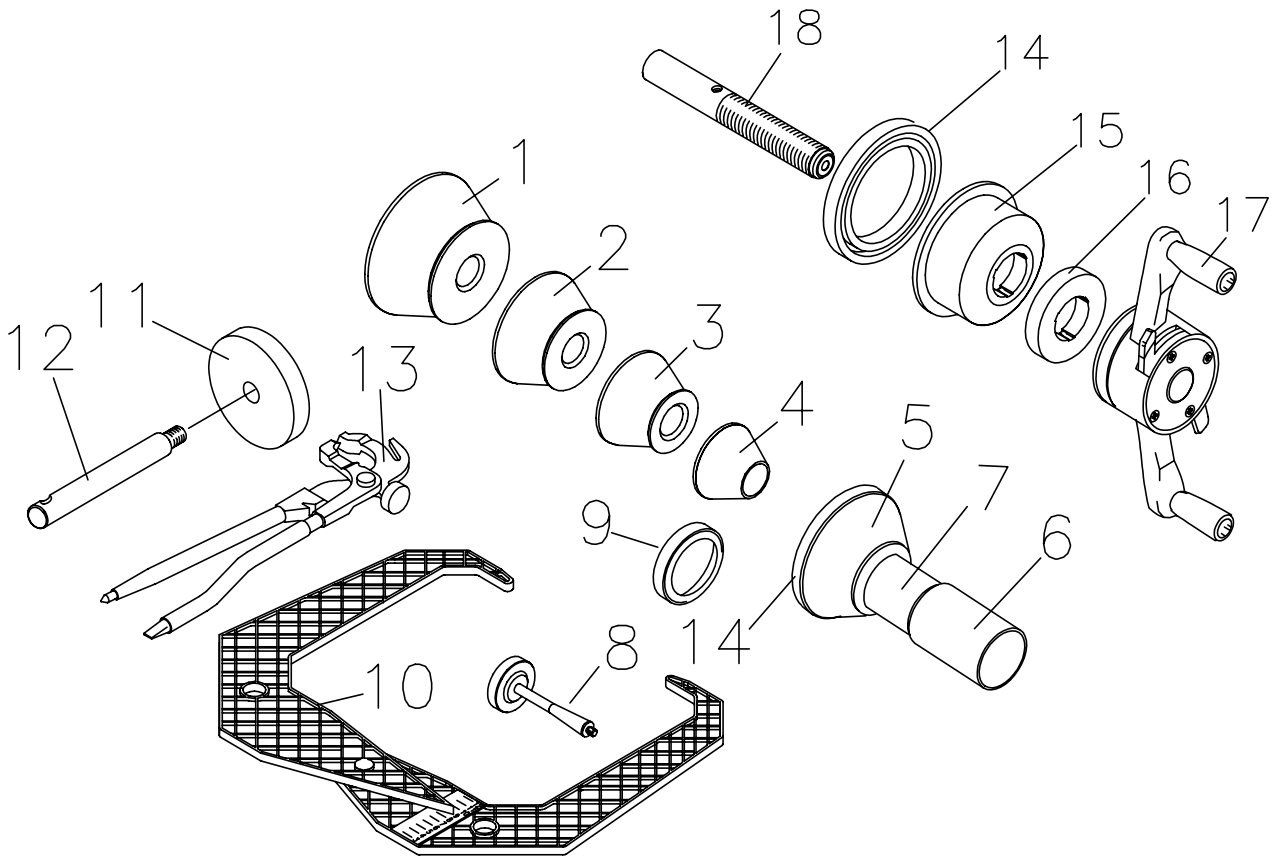
VIBRATORY ASSEMBLY

EAA0338G36A



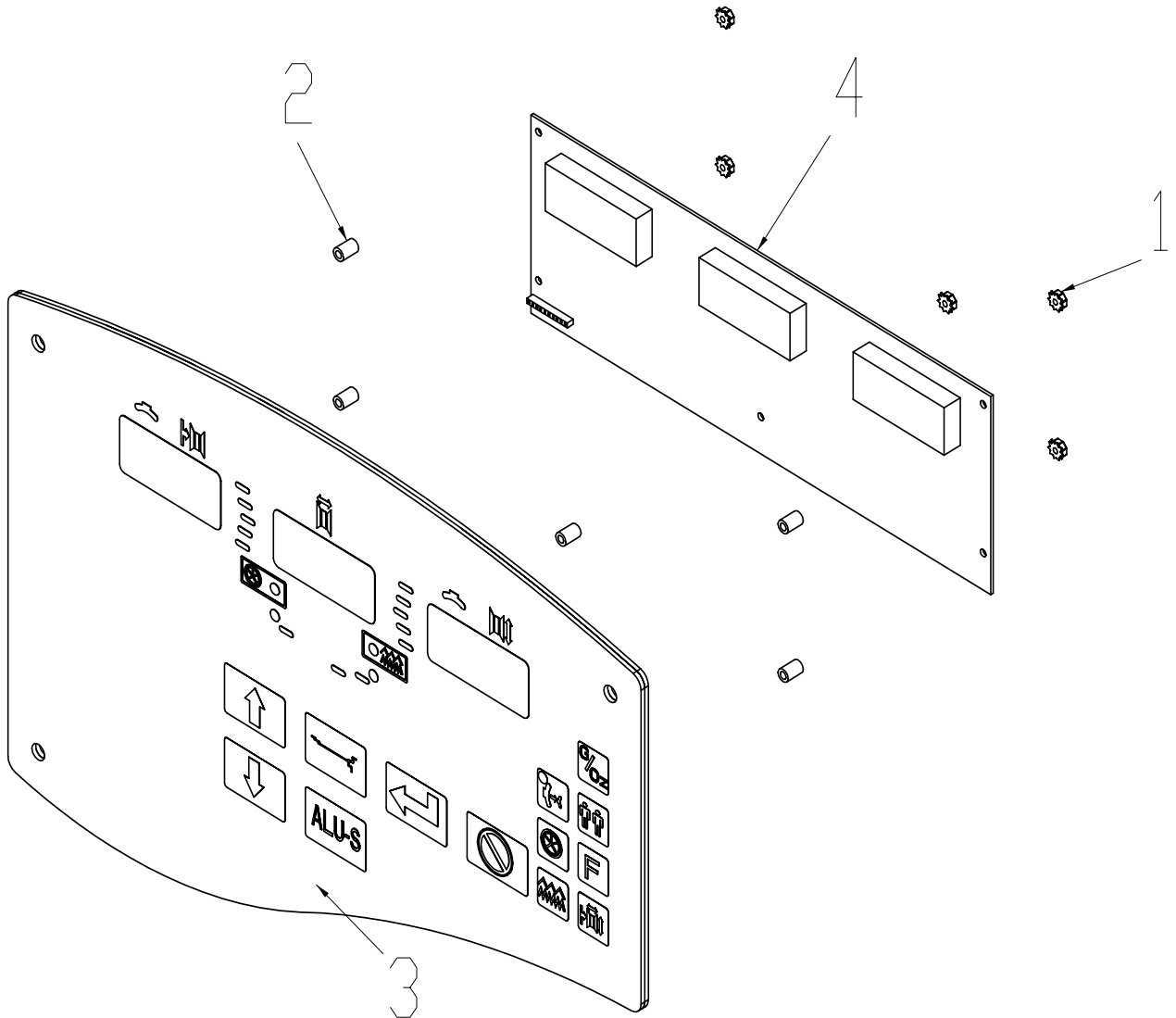
REF #	QTY.	PART NUMBER	DESCRIPTION
1	1	EAA0338G36A	VIBRATOR ASS'Y-MOTORIZED
2	1	EAM0005D12A	DRIVE WHEEL
3	1	8-3531	MULTIRIB BELT 5 PJ 711 DIN 7867
4	1	EAA0266D29A	MOTOR, AC 120W 1 PH 220-240V - 50/60 HZ
5	2	EAM0005D09A	MOTOR DISTANCE BOLT
6	1	1-30701	SCREW HEX HD M 6 X 12
7	1	EAM0005D08A	MOTOR PULLEY
8	1	EAC0058D03A	SPRING CENTERING RING
9	1	1-6498	SPRING - COMPRESSION 5 X 63 X 120
10	1	EAS2025D14A	SPRING CASE DEEP DRAW
11	1	1-13077	SNAP RING
12	1	EAA0260D59A	TRANSDUCER
13	4	8-1144	BALL, STEEL
14	2	1-2967	PRETENSION SPRING
15	1	1-11833	NUT-HEX M 10 X 1 DIN 934
16	2	EAM0005D07A	SETSCREW - HEX SOCKET M 10 X 1
17	2	1-19903A	SCREW HEX SOCKET / COUNTERSUNK M 4 X 65
18	1	EAA0344G00A	ENCODER PCB
19	1	1-13004	SCREW PHILLIP PAN HD M 4 X 6
20	2	1-17403	SCREW HEX SOCKET / COUNTERSUNK M 4 X 25
21	1	1-4034	NUT - HEX M 10 X 1 DIN 439
*	1	EAW0239D00A	RIBBON CABLE VIBRATORY
**	1	EAA0260D56A	BRAKE LEVER A CPL.
**	1	EAA0260D57A	BRAKE LEVER B CPL.

CONES AND ACCESSORIES



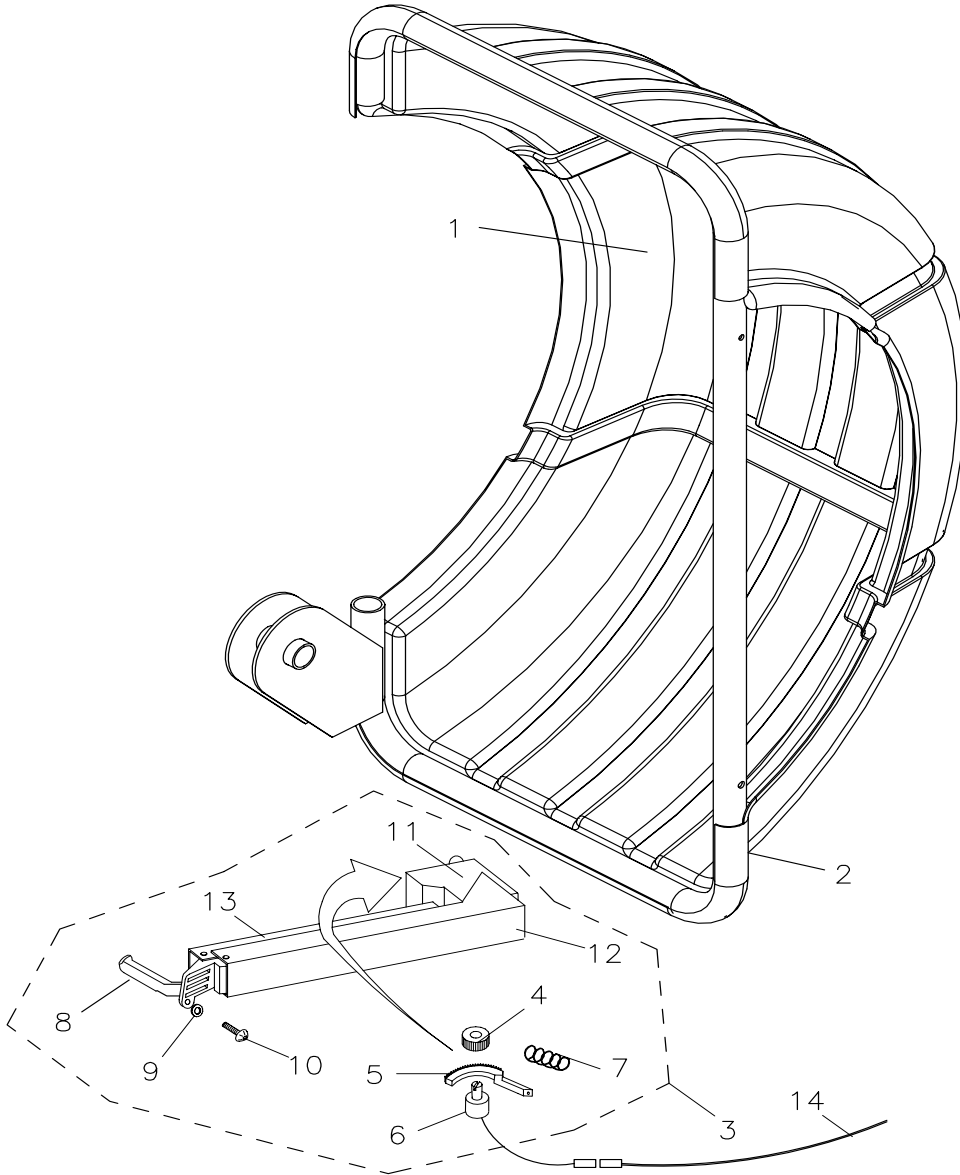
REF	QTY	PART NUMBER	DESCRIPTION
1	1	EAM0003J08A	CONE-TRUCK, 29 DEG
2	1	EAM0003J07A	CONE-LARGE
3	1	EAM0003J06A	CONE-SMALL
4	1	EAM0003J05A	CONE-SMALL
		EAA0307G54A	POWER CLAMP NUT ASSEMBLY
5	1	EAC0058D07A	CUP - LARGE PRESSURE
6	1	EAM0005D54A	PLASTIC SLEEVE
7	1	EAA0283D53A	POWER CLAMP NUT
8	1	EAM0005D40A	CALIBRATION WEIGHT
9	1	EAC0058D08A	SMALL PRESSURE DISK
10	1	EAA0247G21A	CALIPER-RIM WIDTH
11	4	EAC0060G02A	FLANGE - COVER,ACCESS
12	4	EAM0006G01A	HOOK - ACCESSORY STORAGE
13	1	00058839000	TOOL - PDQ WEIGHT
14	1	EAC0058D15A	RUBBER RING
15	1	EAM0058D07A	CUP - PRESSURE
16	1	EAC0058D08A	DISK - PRESSURE
17	1	EAA0263G66A	QUICK NUT
18	1	EAM0021D90A	40 MM STUB SHAFT

UPPER DISPLAY
EAA0346J24A



SYM	QTY	PART NO	DESCRIPTION
1	5	1-15033	NUT-KEPS, M3 - .5
2	5	1-11062A	SPACER- 1/4" X 3/8"
3	1	EAA0346J16A	DISPLAY PANEL/ MEMBRANE SWITCH
4	1	EAP0192P80A	PCB ASS'Y-DISPLAY, JB VPI SYS III

WHEEL GUARD AND 3D SAPE



REF #	QTY	REQ.	PART NUMBER	DESCRIPTION
1	1	EAC0053J09A		COVER - WHEELGUARD
2	1	EAS2021J40A		WELDMENT - WHEELGUARD
3	1	EAA0260D45A		3D - P - SAPE
4	1	EAC0058D23A		COG WHEEL
5	1	EAC0058D31A		TOOTHED SPRING TONGUE
6	1	EAA0266D24A		ROTATIVE TRANSDUCER
7	1	1-04067A		TENSION SPRING
8	1	EAC0058D33A		TOUCHING DISK 3DP
9	1			WASHER
10	1			SCREW
11	1	EAC0058D34A		COVER PLATE
12	1	EAS2025D34A		OUTER SHEET
13	1	EAS2025D35A		INNER SHEET
14	1	EAW0239D19A		HARNES FROM POTENTIOMETER TO EBOX
*	1	1-04167A		TORSION SPRING



John Bean Equipment
309 Exchange Ave.
Conway, AR 72032
501-450-1500

Notice: The information contained in this document is subject to change without notice. Snapon Equipment makes no warranty with regard to this material. Snapon Equipment shall not be liable for errors contained herein or for incidental consequential damages in connection with furnishings, performance, or use of this material.

This document contains proprietary information which is protected by copyright and patents. All rights are reserved. No part of this document may be photocopied, reproduced, or translated without prior written consent