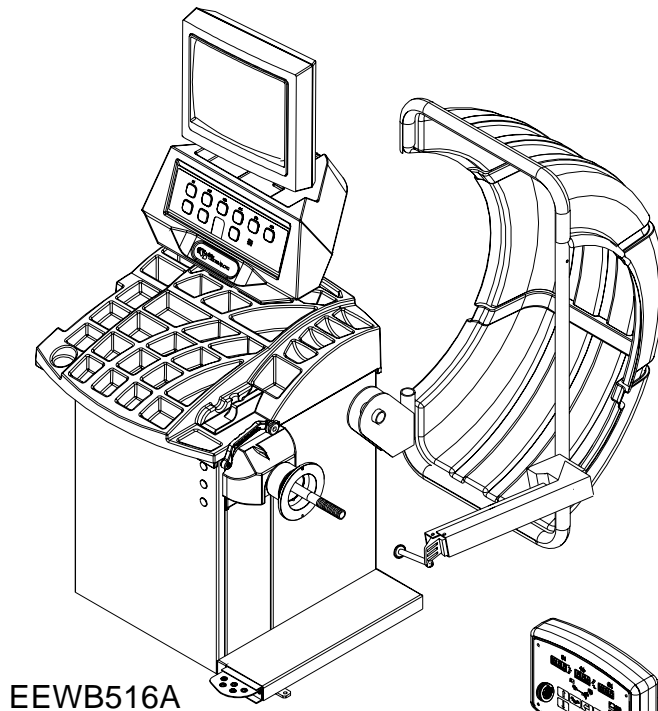
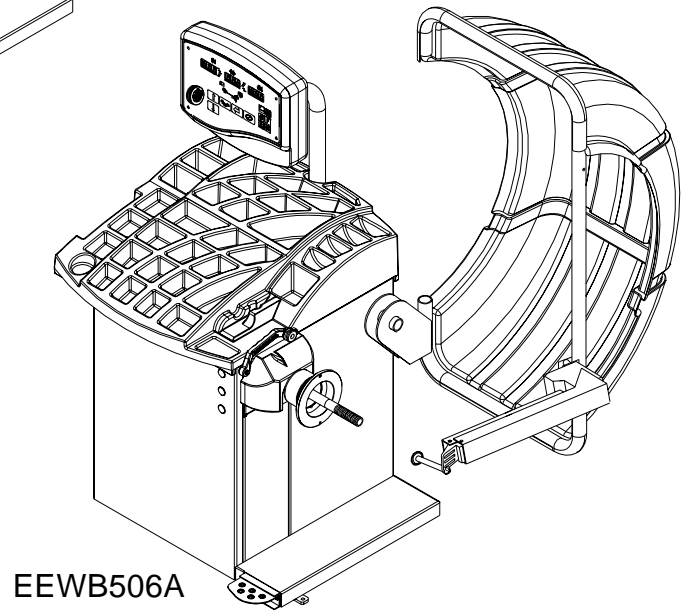


VPI SYSTEM III, & IV COMPUTER WHEEL BALANCER



EEWB516A



EEWB506A

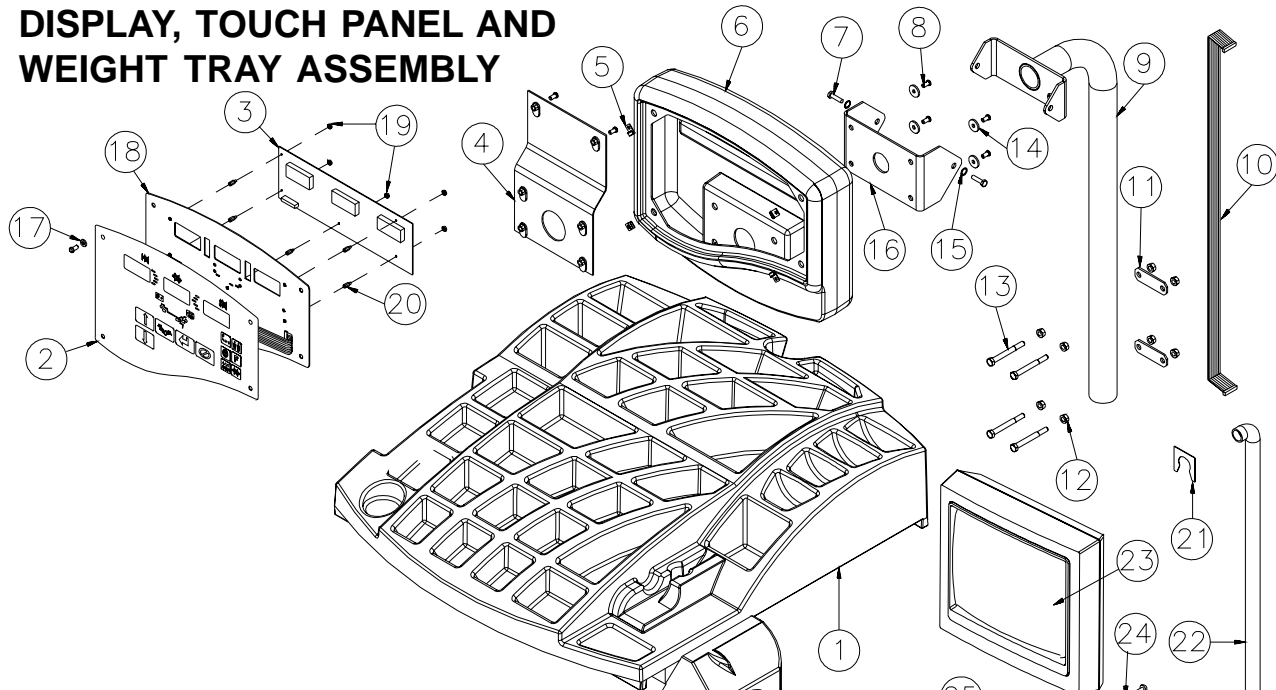
PARTS REFERENCE

All information contained or disclosed in this document is considered confidential and proprietary by Snap-on Tools Company. All manufacturing, use, reproduction, and sales rights are reserved by Snap-on Tools Company and the information contained herein shall not be used in whole or in part without the express written consent of Snap-on Tools Company.

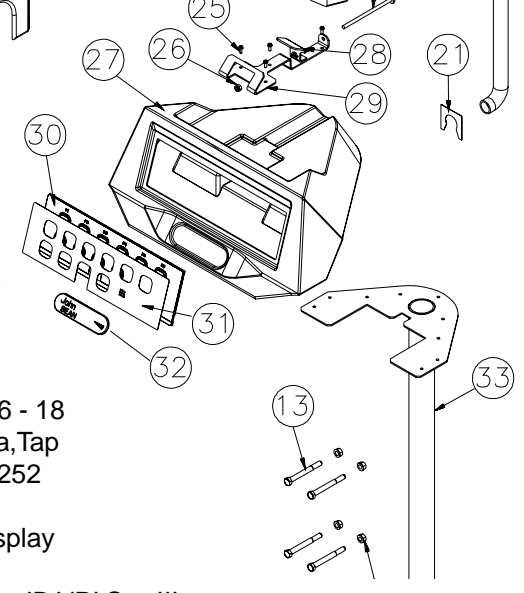
Contents

DISPLAY, TOUCH PANEL AND WEIGHT TRAY ASSEMBLY	3
LOWER CABINET ASSEMBLY	4
LOWER CABINET ASSEMBLY	5
WHEEL GUARD ASSEMBLY 3DP SAPE	6
VIBRATORY AND MOTOR ASSEMBLY	7
2D SAPE ASSEMBLY	8
SHAFT ADAPTERS AND ACCESSORIES	9
MISCELLANEOUS ITEMS	10
PARTS IN ALPHABETICAL ORDER	11
PARTS IN NUMERICAL ORDER	17

DISPLAY, TOUCH PANEL AND WEIGHT TRAY ASSEMBLY

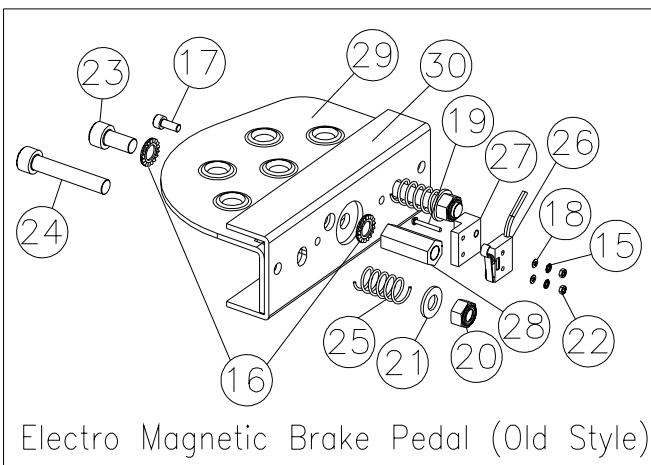
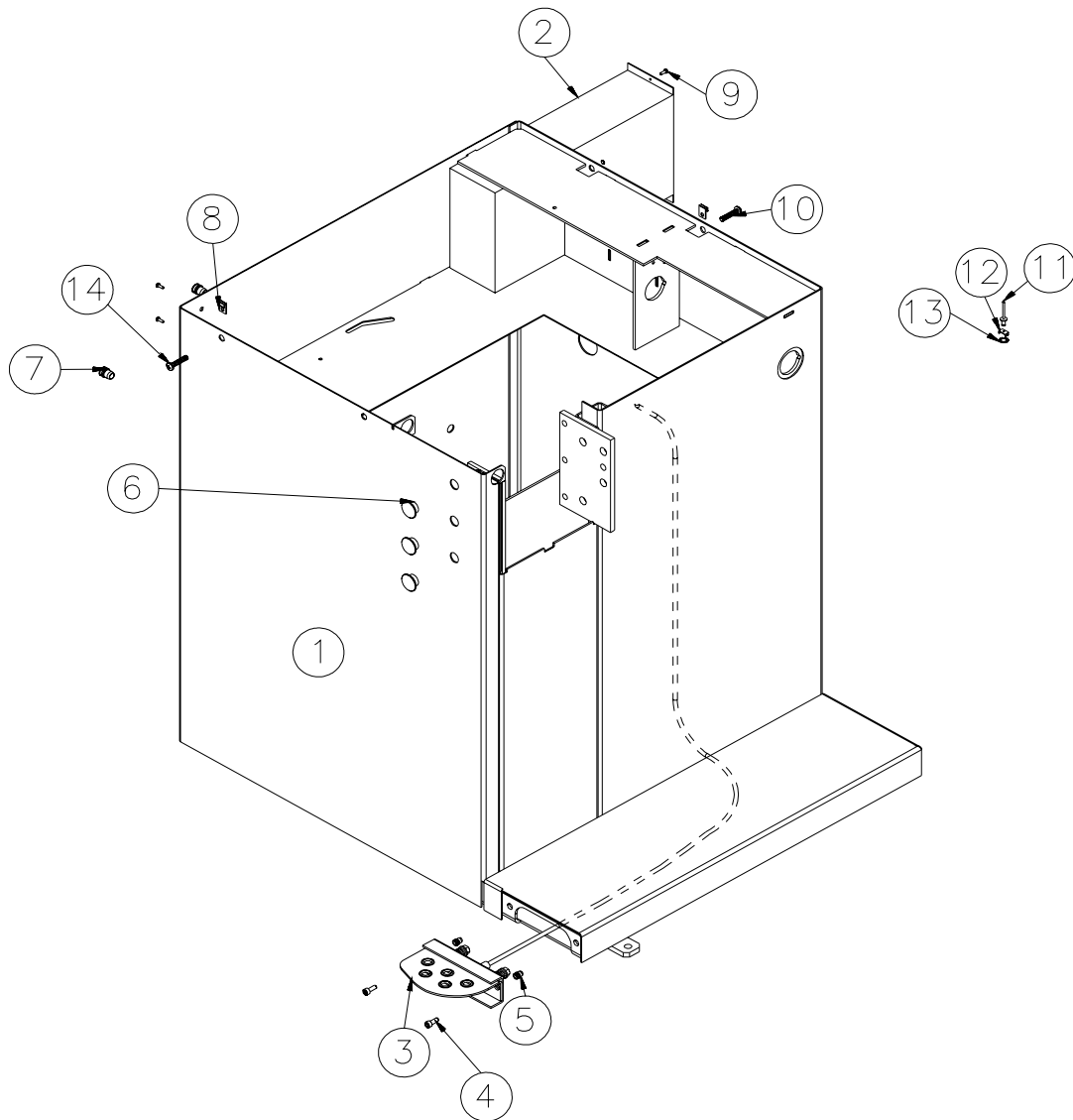


Ref #	Qty Req.	Part Number	Description
1	1	EAC0053J02A	Weight Tray
2	1	EAA0255J10A	Membrane Switch
3	1	EAP0192P80A	PCB Ass'y Display
4	1	EAS2021J42A	Plate - Inner, Display, L1
5	3	1-07039A	Nut - Tinnerman 1/4 - 20
6	1	EAC0053J05A	Display Housing
7	2	1-1401	Screw-HHC,3/8-16 X 1
8	10	1-2509	Screw-BHCS,1/4-20 X 5/8
9	1	EAS2021J11A	Display Wldmt-tower,L1
10	1	EAW0233J04A	Cable - JBC Display
11	2	EAS2021J63A	Clamp,Tower
12	8	1-5433	Nut & L/Washer Assy 5/16 - 18
13	4	1-1115	Bolt-hex,5/16-18x3,Unc 2a,Tap
14	6	1-20141A	Washer, Flat OD .875 Id .252
15	2	1-5741	Washer, Plain 3/8
16	1	EAS2021J06A	Bracket - top Adjuster, Display
17	3	1-11744A	Washer - Nylon Flat
18	1	EAS2021J33A	Plate Backing Membrane - JB VPI Sys III
19	5	1-15033	Nut - Keps, M3 - .5
20	5	1-11062A	Spacer - 1/4 X 3/8
21	2	EAS2021J64A	Plate tube Stop
22	1	5-06135A	Tubing - Flexible
23	1	3-01908A	Monitor - 15" Flat Screen
24	1	1-18302A	RHMS - 1/4 20 X 5 Slotted
25	9	1-9323	Screw - #8 X .5 Self Tap
26	1	1-1137	Nut - Nylon, 1/4 - 20
27	1	EAC0053J19A	Monitor Support - Crt/LCD
28	1	EAS2021J67A	Adj Bracket - Monitor Support
29	1	EAS2021J66A	Base Bracket - Monitor Support
30	1	EAA0283D42A	Keyboard Assy
31	1	EAL0343J42A	Label - Elec/Ser V3D Obs02j0819
32	1	EAL0343J00A	Nameplate - JBC, Head
33	1	EAS2021J59A	Tower Weldment - Monitor Support Sys IV
*		EAS2021J24A	Sheet - Fireshield



LOWER CABINET ASSEMBLY

Includes Power Supply / Brake



Electro Magnetic Brake Pedal (Old Style)

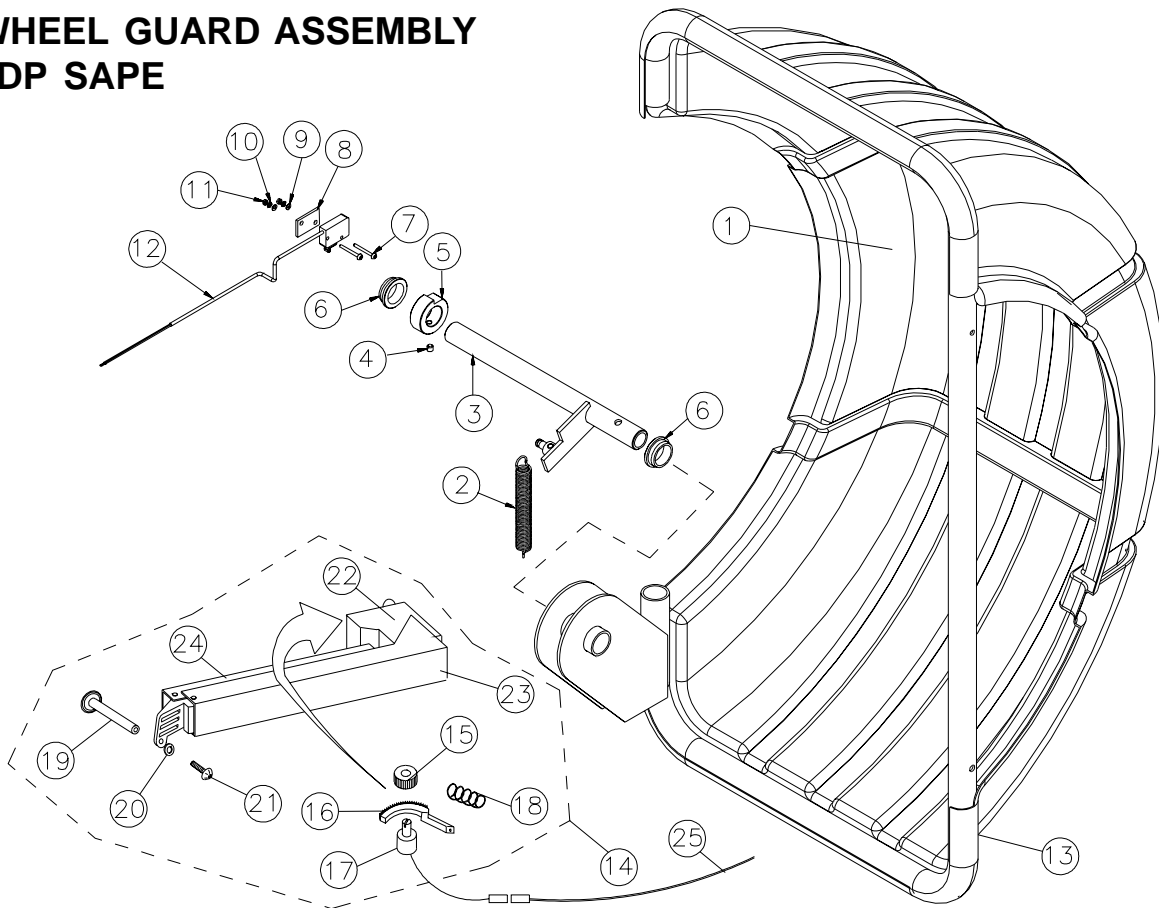
LOWER CABINET ASSEMBLY

Includes Power Supply / Brake

Ref #	Qty Req.	Part Number	Description
1	1	EAS2021J02A	Wldmt - cabinet,L1,Flat Pedestal
2	1	EAA0255J23A	Electronic Unit Y2k Bal
*	1	EAS2021J31A	Frame Ass'y - Digital Box Base
*	1	EAS2021J30A	Frame - Digital Box, Top
*	1	EAP0201D10B	PCB Ass'y - Power Interface
*	1	EAP0201D00C	PCB Ass'y - Processor
*	13	1-136006A	Screw - PHIL Hd,M4 X 6mm Din7985
*	1	EAW0233J06A	Cable - IEC, Jumper
*	1	EAW0233J05A	Cable - IEC Module Power Interfa
*	1	2-01429A	Capacitor - Start, 10uf 400v
*	1	2-01529A	Capacitor - Start 20uf 400v
*	1	2-16851A	Power Entry Module
*	1	1-03325A	Screw - Pan Hd, M3.9x9.2 Din7981
*	2	2-19851A	Fuse - time Delay,5.00a 5 X 20mm
*	1	EAL0341J37A	Label - fuse 5 AMP
*	5	1-13906	Screw - Pan HD, M4 X 12 Din6906
*	4	1-7861	Standoff - Hex, M4 X 10mm
*	1	1-03325A	Screw - Pan HD, M3.9 X 9.2 Din7981
*	1	1-11233	Nut - Hex, M3 Din 934
*	1	2-17947A	Connector - 10 Pin, Wago 733-110
*	1	2-40848A	Connector-5 Pin, Wago 731-605
*	1	1-12709	SHCS - M3 X 10 Din 912
*	1	8-23562A	Label - Warning
*	1	EAL0341J07A	Label - Warning, Disconnect Power
*	1	8-23662A	Label - Safety
*	1	8-23762A	Label Earth Symbol
*	1	00111245000	Label - Caution, Electric
*	1	EAX0039J01A	Cord - Power, 230v
3	1	EAS2020P20A	Pedal-brake,JBEG
4	2	1-16309	Screw-hex HD Cap, M6 X 16 8.8
5	2	1-17559A	Nutsert - M6
6	3	8-7216	Plug-hole,16mm
7	4	1-17659A	Nutsert - M10
8	4	1-6739	Nut-tinnerman,1/4-20,J-type
9	5	1-3724	Screw-self Tap,5 X 10mm
10	4	1-12206	MSCR Phn 1/4-20 X 1-1/4
11	1	1-7558	Pop Rivet - .188 Dia
12	1	2-23201	Terminal Lug - 6.3mm X 8mm,Pop Riv
13	1	1-1548	Washer-ext,Shakeproof 6mm
14	2	1-12806	Screw 1/4 - 20 X 1
15	2	1-1048	Washer, Shakeproof D2
16	2	1-1748	Washer, Shakeproof D8
17	1	1-4909	Screw, Hex Head Socket Head M4 X 10
18	2	1-9341	Washer, Plain
19	2	1-9904	Screw, Phillips Head M2 X 16
20	2	1-10033	Hex Nut, Prevailing Torque M8
21	2	1-10041	Washer Plain M8
22	2	1-11033	Nut, Hexagon
23	1	1-17609	Screw Hex Socket Head M8 X 16
24	2	1-18209	Screw Hex Head Socket M8 X 45
25	2	1-06768A	Compression Spring D - 187
26	1	2-07661A	Microswitch
27	1	EAM0006G10A	Microswitch Support
28	1	EAM0006G11A	Microswitch Activator
29	1	EAS2020P20A	Pedal
30	1	EAS2027G18A	Brake Pedal Support

**ELECTRONIC BOX COMPONENTS
NOT SHOWN**

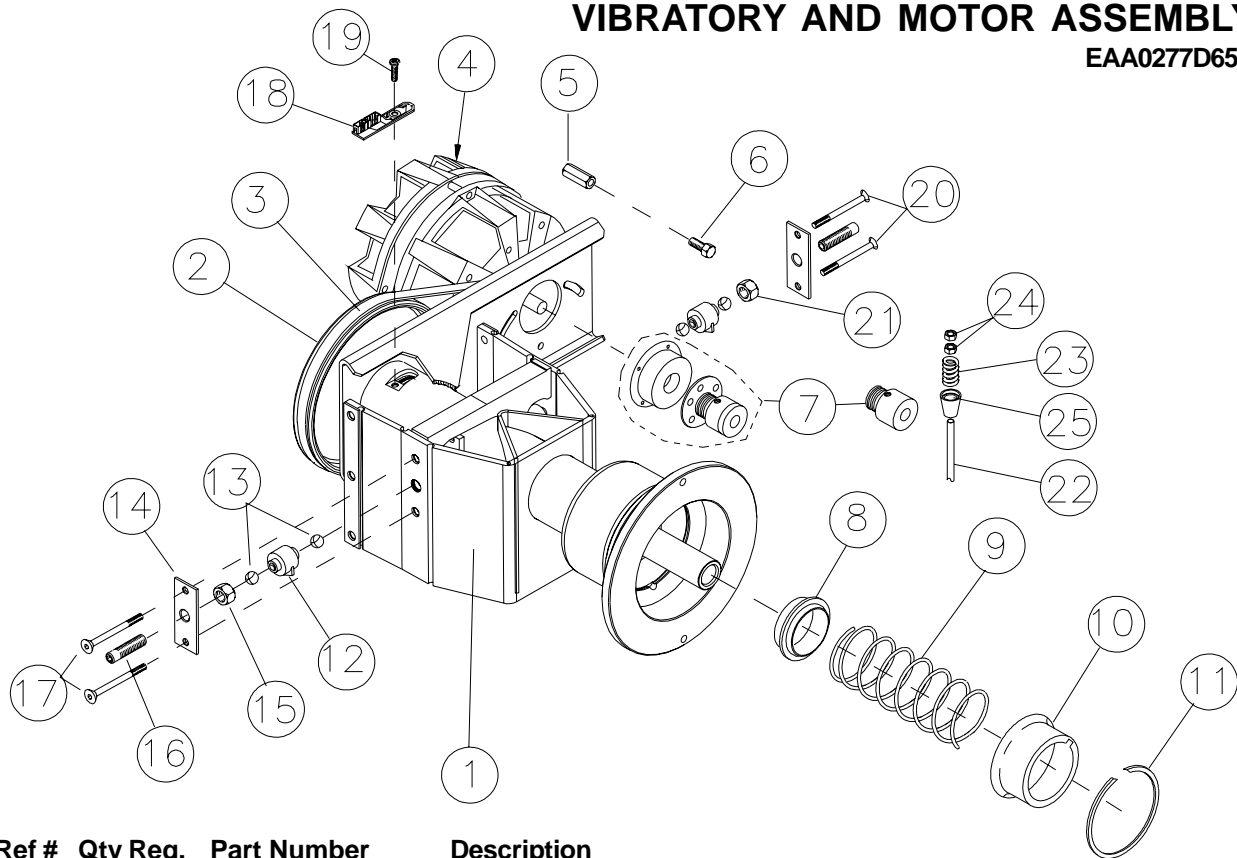
WHEEL GUARD ASSEMBLY 3DP SAPE



Ref #	Qty Req.	Part Number	Description
1	1	EAC0053J09A	Cover - Wheelguard
2	1	EAM0003J21A	Spring-extension Wheelguard,Hd
3	1	EAA0263G10A	Tube Support-wheelguard
4	1	1-47810	Screw, Set, M8 X 8mm Flat Pt
5	1	EAM0006G02A	Wheelguard Tube Ring Nut
6	2	EAC0060G03A	Bushing, Wheelguard Tube
7	2	1-7104	Screw-slot Cheese Hd, M3 X 30
8	2	EAC0053J16A	Plate-switch Mounting
9	2	1-9541	Washer-flat, M3 Din 125a
10	2	1-1248	Washer-ext,Shakeproof,M3
11	2	1-11233	Nut-hex, M3 Din 934
12	1	EAW0233J08A	Microswitch
13	1	EAS2021J40A	Weldment - Wheelguard
14	1	EAA0260D45A	3D - P - SAPE
15	1	EAC0058D23A	Cog Wheel
16	1	EAC0058D31A	Toothed Spring Tongue
17	1	EAA0266D24A	Rotative Transducer
18	1	1-04067A	Tension Spring
19	1	EAM0003J22A	Touching disk 3DP
20	1		Washer
21	1		Screw
22	1	EAC0058D34A	Cover Plate
23	1	EAS2025D34A	Outer Sheet
24	1	EAS2025D35A	Inner Sheet
25	1	EAW0239D19A	Harness from potetiometer to Ebox
*	1	1-04167A	Torsion Sping

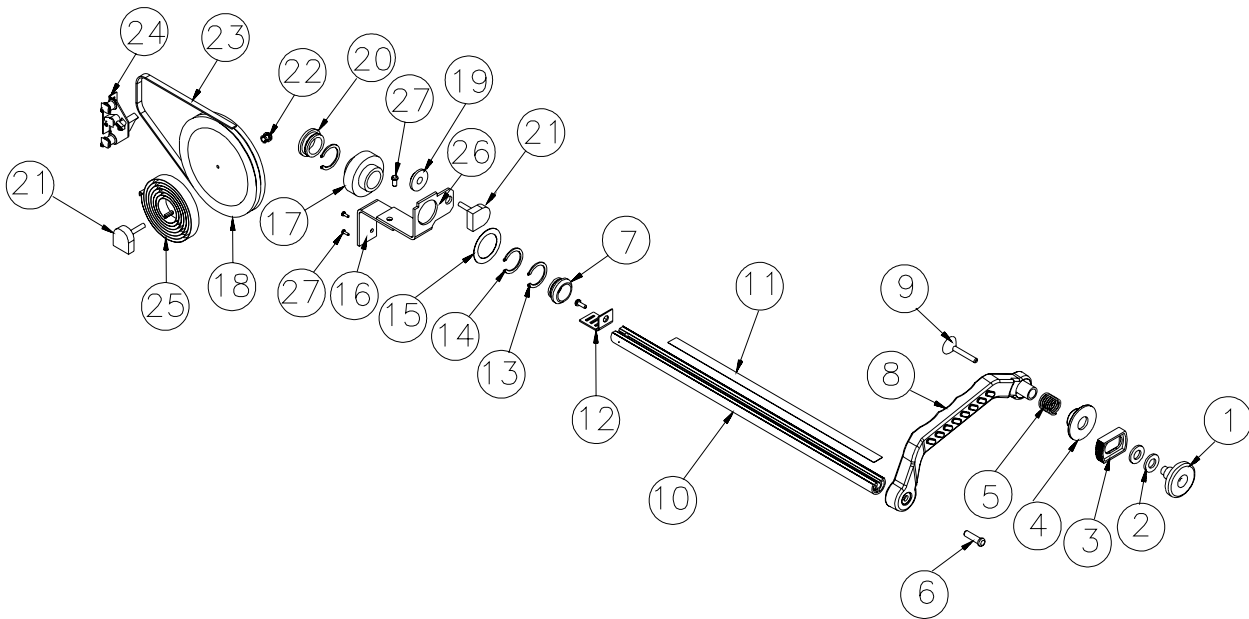
VIBRATORY AND MOTOR ASSEMBLY

EAA0277D65A



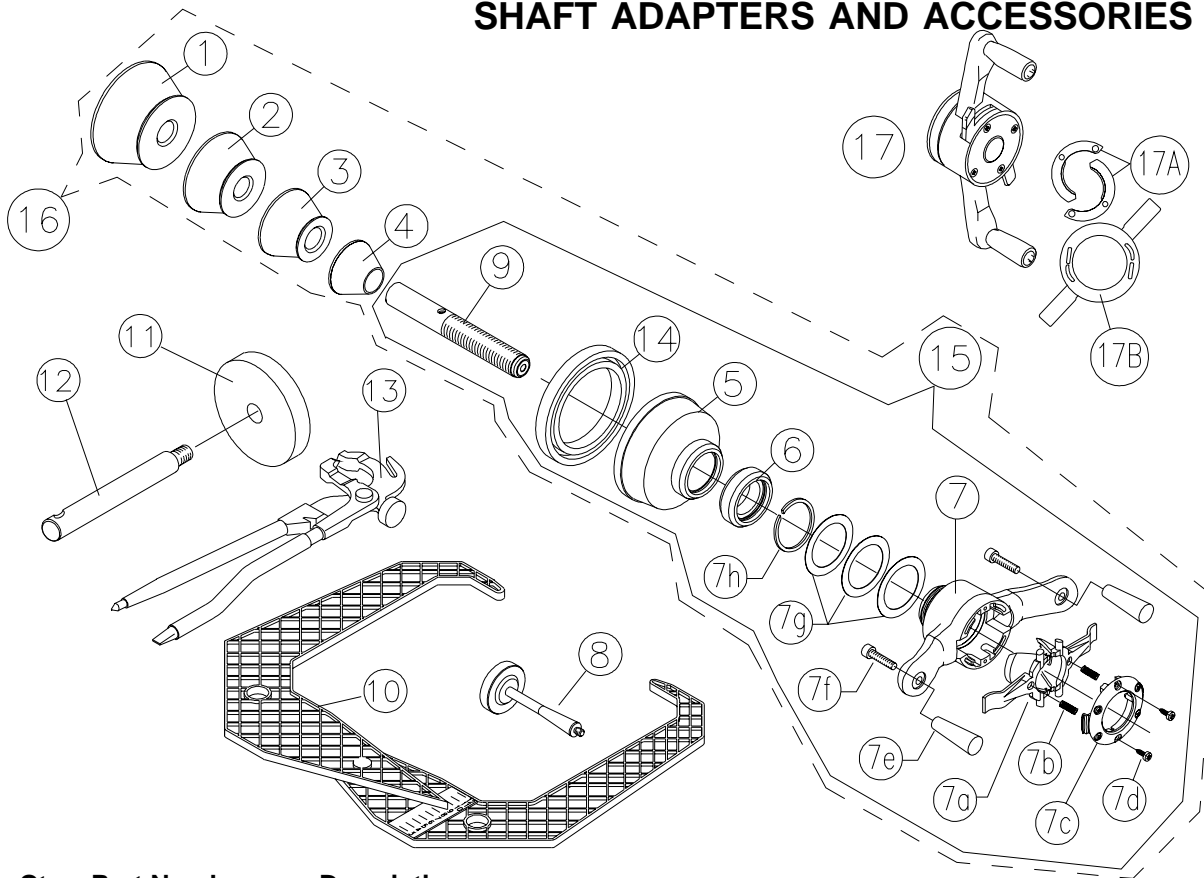
Ref #	Qty Req.	Part Number	Description
1	1	EAA0260D65A	Vibrator Ass'y-motorized
2	1	EAM0005D12A	Drive Wheel
3	1	8-3531	Multirib Belt 5 PJ 711 Din 7867
4	1	EAA0266D29A	Motor 230V/50-60HZ
5	4	EAM0005D09A	Motor Distance bolt
6	4	1-30701	Screw Hex HD M 6 X 12
7	1	EAM0005D08A	Motor Pulley
	1	EAA0260D79A	Motor Pulley - Electromagnetic Brake (Early Model System III)
8	1	EAC0058D03A	Spring Centering Ring
9	1	1-6498	Spring - Compression 5 X 63 X 120
10	1	EAS2025D14A	Spring Case Deep Draw
11	1	1-13077	Snap Ring
12	1	EAA0260D59A	Transducer
13	4	8-1144	Ball, Steel
14	2	1-2967	Pretension Spring
15	1	1-11833	Nut-Hex M 10 X 1 DIN 934
16	2	EAM0005D07A	Setscrew - Hex Socket M 10 X 1
17	2	1-19903A	Screw Hex Socket / Countersunk M 4 X 65
18	1	EAA0260D09A	Encoder PCB
19	1	1-13004	Screw Phillip Pan HD M 4 X 6
20	2	1-17403	Screw Hex Socket / Countersunk M 4 X 25
21	1	1-4034	Nut - Hex M 10 X 1 DIN 439
22	1	EAA0260D58A	Cable - Brake, S1
23	1	1-6668	Compression Spring
24	2	1-11633	Nut - Hex
25	1	EAC0053J15A	Brake Spacer
**	1	EAA0260D56A	Brake lever A cpl. (Mechanical Brake)
**	1	EAA0260D57A	Brake lever B cpl. (Mechanical Brake)
*	1	EAW0239D00A	Ribbon Cable Vibratory

2D SAPE ASSEMBLY



Ref #	Qty Req.	Part Number	Description
1	1	EAC0058D11A	Disk-touching
2	2	1-11841	Washer-plain, M10.5 Din 125
3	1	EAC0058D09A	Ejector
4	1	EAC0053J06A	Adjuster - arm, SAPE
5	1	1-06868A	Spring-comp D145e, Din 2098
6	1	1-3824	Screw-self Tap, 6 X 12mm
7	1	EAM0005D39A	Bushing 2
8	1	EAC0053J03A	Arm - SAPE
9	1	1-3624	Screw - FHMS 5 X 40mm, Self Tap
10	1	EAM0005D37A	Rod - M1
11	1	EAL0345D01A	Measure Tape - 1D SAPE
12	1	EAS2021J35A	Bracket - Belt Retainer
13	2	1-13877A	Ring - Snap, .93 X .044
14	1	1-13377A	Circlip - 27 X 1.20
15	1	1-07162A	Shim Ring - 28 X 40 X
16	1	EAS2021J37A	Mounting Brkt 2D SAPE, Bottom
17	1	EAC0058D12A	Cog Wheel - 56 Tooth
18	1	EAC0058D06A	Rope-reel 290mm
19	1	EAC0058D13A	Cog Wheel-28 Tooth
20	1	EAM0005D38A	Bushing 1
21	2	EAA0266D20A	Rotative Transducer-assy
22	1	EAM0005D35A	Guiding Reel
23	1	8-03731A	Belt
24	1	EAA0255J27A	Auto Lock Ass'y-distance Guage
25	1	1-03967A	Spring - SAPE Auto Stop System
26	1	EAS2021J36A	Mounting Brkt 2D SAPE
27	3	1-3724	Screw

SHAFT ADAPTERS AND ACCESSORIES



Ref #	Qty	Part Number	Description
1	1	EAM0003J08A	Cone-Truck, 29 Deg
2	1	EAM0003J07A	Cone-Large
3	1	EAM0003J06A	Cone-Small
4	1	EAM0003J05A	Cone-Small
5	1	EAC0058D07A	Cup-Pressure,Haweka
6	1	EAC0058D08A	Disk Pressure
7	1	EAA0263G66A	Quicknut W/ Handles, 40 mm
7a	2	7409019-020	Clamp jaws set
7b	2	1611128	Disc, Spring
7c	2	ST0027000	Cover
7d	1	ST7417071	Screw
7e	2	00112322000	Handle
7f	2	ST7205389	Screw, Handle
7g	3	ST0027005	Spacer
7h	1	ST7022499	C - Clip
8	1	EAM0005D40A	Calibration Weight
9	1	EAM0005D15A	Threaded Shaft, 40mm
10	1	EAA0247G21A	Caliper-Rim Width
11	4	EAC0060G02A	Flange - Cover,Access
12	4	EAM0006G01A	Hook - Accessory Storage
13	1	00058839000	Tool - PDQ Weight
14	1	EAC0058D15A	Rubber Ring
15	1	EAA0263G79A	Quick Nut Kit
16	1	EAA0255J33A	Adapter Assy'
17	1	8-02140A	Wing Nut (old)
17A	2	00110192000	Insert
17B	1	00110194000	Cam

Optional Accessories
 110614 Uni-Lug Adapter
 1207-01 Offset Spacer

MISCELLANEOUS ITEMS

0.08	00063096001	Trim - Flexible	Both
3	1-01215A	Screw - Lag, 5/16 X 1 1/2	Both
1	1-1101	Screw - HHCS, 3/8 - 16 X 2	Both
1	1-19841A	Washer - Flat,M8	Both
4	1-21023A	Screw - Hex Head Type A,10x.5"	Both
3	1-2541	Washer - Flat, 5/16	Both
1	1-45709A	Screw - BHCS - M8 X 30mm	Both
1	1-8133	Nut - Keps,3/8 - 16	Both
6	2-3657	Cable Clamp (Flat Cable)	Both
1	EAL0341J45A	Decal - VPI System IV	Sys IV
1	EAL0343J76A	Label - Electrical/Serial	Sys IV
1	EAL0307L00A	Label - Canadian Certification	Both
1	EAL0341J08A	Label - Warning,Safety Goggles	Both
1	EAL0341J09A	Label - Warning,Moving Comp	Both
1	EAL0341J16A	Decal - Logo, JBC	Both
1	EAL0341J36A	Label - Attention - Brake Pedal	Both
1	EAL0343J53A	Label - Warn.patent	Both
1	EAM0003J22A	Touching Disc - 3dp - Sape	Both
1	EAS2021J24A	Sheet - Fireshield	Both
1	EAS2021J40A	Wheelguard Wldmt - System III	Both
1	EAX0039J02A	Cord - Power 230v Pigtail	Sys IV
1	ZEEWB516A9	Lit Pack - Sys 1&2 Balancer	Sys IV
1	00060677000	Chain - Laminated, Instr. Shee	Sys III
1	00060911000	Washer - Flat, Retaining	Sys III
1	00111243000	Label - Warning, Explos.	Sys III
2	1-04076A	Plug - Hole	Sys III
1	EAA0255J22A	Balancer Assy - JB VPI Sys III	Sys III
1	EAL0341J19A	Label - Elec/Serial, EEWB502A	Sys III
1	EAL0341J22A	Decal - VPI Sys III	Sys III
1	EAL0341J25A	Hang Sheet - Instr,Sys III Bal	Sys III
1	EAX0039J01A	Cord - Power,230V	Sys III
1	ZEEWB502A9	Lit Pack - JB VPI Sys III Bal	Sys III

PARTS IN ALPHABETICAL ORDER

Description	Part Number
3D - P - SAPE	EAA0260D45A
Adapter Assy'	EAA0255J33A
Adj Bracket - Monitor Support	EAS2021J67A
Adjuster - arm, SAPE	EAC0053J06A
Arm - SAPE	EAC0053J03A
Auto Lock Ass'y-distance Guage	EAA0255J27A
Balancer Assy - JB VPI Sys III	EAA0255J22A
Ball, Steel	8-1144
Base Bracket - Monitor Support	EAS2021J66A
Belt	8-03731A
Bolt-hex,5/16-18x3,Unc 2a, Tap	1-1115
Bracket - Belt Retainer	EAS2021J35A
Bracket - top Adjuster, Display	EAS2021J06A
Brake lever A cpl. (Mechanical Brake)	EAA0260D56A
Brake lever B cpl. (Mechanical Brake)	EAA0260D57A
Brake Pedal Support	EAS2027G18A
Brake Spacer	EAC0053J15A
Bushing 1	EAM0005D38A
Bushing 2	EAM0005D39A
Bushing, Wheelguard Tube	EAC0060G03A
C - Clip	ST7022499
Cable - Brake, S1	EAA0260D58A
Cable - IEC Module Power Interfa	EAW0233J05A
Cable - IEC, Jumper	EAW0233J06A
Cable - JBC Display	EAW0233J04A
Cable Clamp (Flat Cable)	2-3657
Calibration Weight	EAM0005D40A
Caliper-Rim Width	EAA0247G21A
Cam	00110194000
Capacitor - Start 20uf 400v	2-01529A
Capacitor - Start, 10uf 400v	2-01429A
Chain - Laminated, Instr. Shee	00060677000
Circlip - 27 X 1.20	1-13377A
Clamp jaws set	7409019-020
Clamp, Tower	EAS2021J63A
Cog Wheel	EAC0058D23A
Cog Wheel - 56 Tooth	EAC0058D12A
Cog Wheel-28 Tooth	EAC0058D13A
Compression Spring	1-6668
Compression Spring D - 187	1-06768A
Cone-Large	EAM0003J07A
Cone-Small	EAM0003J05A
Cone-Small	EAM0003J06A
Cone-Truck, 29 Deg	EAM0003J08A
Connector - 10 Pin, Wago 733-110	2-17947A
Connector-5 Pin, Wago 731-605	2-40848A
Cord - Power 230v Pigtail	EAX0039J02A
Cord - Power, 230v	EAX0039J01A
Cord - Power,230V	EAX0039J01A
Cover	ST0027000
Cover - Wheelguard	EAC0053J09A
Cover Plate	EAC0058D34A
Cup-Pressure,Haweka	EAC0058D07A
Decal - VPI System IV	EAL0341J45A

Description	Part Number
Decal - Logo, JBC	EAL0341J16A
Decal - VPI Sys III	EAL0341J22A
Disc, Spring	1611128
Disk Pressure	EAC0058D08A
Disk-touching	EAC0058D11A
Display Housing	EAC0053J05A
Display Wldmt-tower,L1	EAS2021J11A
Drive Wheel	EAM0005D12A
Ejector	EAC0058D09A
Electronic Unit Y2k Bal	EAA0255J23A
Encoder PCB	EAA0260D09A
Flange - Cover,Access	EAC0060G02A
Frame - Digital Box, Top	EAS2021J30A
Frame Ass'y - Digital Box Base	EAS2021J31A
Fuse - time Delay,5.00a 5 X 20mm	2-19851A
Guiding Reel	EAM0005D35A
Handle	00112322000
Hang Sheet - Instr,Sys III Bal	EAL0341J25A
Harness from potetiometer to Ebox	EAW0239D19A
Hex Nut, Prevailing Torque M8	1-10033
Hook - Accessory Storage	EAM0006G01A
Inner Sheet	EAS2025D35A
Insert	00110192000
Keyboard Assy	EAA0283D42A
Label - Electrical/Serial	EAL0343J76A
Label - Attention - Brake Pedal	EAL0341J36A
Label - Canadian Certification	EAL0307L00A
Label - Caution, Electric	00111245000
Label - Elec/Ser V3D Obs02j0819	EAL0343J42A
Label - Elec/Serial, EEWB502A	EAL0341J19A
Label - fuse 5 AMP	EAL0341J37A
Label - Safety	8-23662A
Label - Warn.patent	EAL0343J53A
Label - Warning	8-23562A
Label - Warning, Disconnect Power	EAL0341J07A
Label - Warning, Explos.	00111243000
Label - Warning,Moving Comp	EAL0341J09A
Label - Warning,Safety Goggles	EAL0341J08A
Label Earth Symbol	8-23762A
Lit Pack - Sys 1&2 Balancer	ZEEWB516A9
Lit Pack - JB VPI Sys III Bal	ZEEWB502A9
Measure Tape - 1D SAPE	EAL0345D01A
Membrane Switch	EAA0255J10A
Microswitch	2-07661A
Microswitch	EAW0233J08A
Microswitch Activator	EAM0006G11A
Microswitch Support	EAM0006G10A
Monitor - 15" Flat Screen	3-01908A
Monitor Support - Crt/LCD	EAC0053J19A
Motor 230V/50-60HZ	EAA0266D29A
Motor Distance bolt	EAM0005D09A
Motor Pulley	EAM0005D08A
Motor Pulley - Electromagnetic Brake (Early Model System III)	EAA0260D79A
Mounting Brkt 2D SAPE	EAS2021J36A
Mounting Brkt 2D SAPE, Bottom	EAS2021J37A
MSCR Phn 1/4-20 X 1-1/4	1-12206

Description	Part Number
Multirib Belt 5 PJ 711 Din 7867	8-3531
Nameplate - JBC, Head	EAL0343J00A
Nut - Hex	1-11633
Nut - Hex M 10 X 1 DIN 439	1-4034
Nut - Hex, M3 Din 934	1-11233
Nut - Keps, M3 - .5	1-15033
Nut - Keps, 3/8 - 16	1-8133
Nut - Nylon, 1/4 - 20	1-1137
Nut - Tinnerman 1/4 - 20	1-07039A
Nut & L/Washer Assy 5/16 - 18	1-5433
Nut, Hexagon	1-11033
Nut-Hex M 10 X 1 DIN 934	1-11833
Nut-hex, M3 Din 934	1-11233
Nutsert - M10	1-17659A
Nutsert - M6	1-17559A
Nut-tinnerman, 1/4-20, J-type	1-6739
Outer Sheet	EAS2025D34A
PCB Ass'y - Power Interface	EAP0201D10B
PCB Ass'y - Processor	EAP0201D00C
PCB Ass'y Display	EAP0192P80A
Pedal	EAS2020P20A
Pedal-brake, JBEG	EAS2020P20A
Plate - Inner, Display, L1	EAS2021J42A
Plate Backing Membrane - JB VPI Sys III	EAS2021J33A
Plate tube Stop	EAS2021J64A
Plate-switch Mounting	EAC0053J16A
Plug - Hole	1-04076A
Plug-hole, 16mm	8-7216
Pop Rivet - .188 Dia	1-7558
Power Entry Module	2-16851A
Pretension Spring	1-2967
Quick Nut Kit	EAA0263G79A
Quicknut W/ Handles, 40 mm	EAA0263G66A
RHMS - 1/4 20 X 5 Slotted	1-18302A
Ribbon Cable Vibratory	EAW0239D00A
Ring - Snap, .93 X .044	1-13877A
Rod - M1	EAM0005D37A
Rope-reel 290mm	EAC0058D06A
Rotative Transducer	EAA0266D24A
Rotative Transducer-assy	EAA0266D20A
Rubber Ring	EAC0058D15A
Screw	ST7417071
Screw	1-3724
Screw - #8 X .5 Self Tap	1-9323
Screw - BHCS - M8 X 30mm	1-45709A
Screw - FHMS 5 X 40mm, Self Tap	1-3624
Screw - Hex Head Type A, 10x.5"	1-21023A
Screw - HHCS, 3/8 - 16 X 2	1-1101
Screw - Lag, 5/16 X 1 1/2	1-01215A
Screw - Pan HD, M3.9 X 9.2 Din7981	1-03325A
Screw - Pan Hd, M3.9x9.2 Din7981	1-03325A
Screw - Pan HD, M4 X 12 Din6906	1-13906
Screw - PHIL Hd, M4 X 6mm Din7985	1-136006A
Screw 1/4 - 20 X 1	1-12806
Screw Hex HD M 6 X 12	1-30701
Screw Hex Head Socket M8 X 45	1-18209

Description	Part Number
Screw Hex Socket / Countersunk M 4 X 25	1-17403
Screw Hex Socket / Countersunk M 4 X 65	1-19903A
Screw Hex Socket Head M8 X 16	1-17609
Screw Phillip Pan HD M 4 X 6	1-13004
Screw, Handle	ST7205389
Screw, Hex Head Socket Head M4 X 10	1-4909
Screw, Phillips Head M2 X 16	1-9904
Screw, Set, M8 X 8mm Flat Pt	1-47810
Screw-BHCS,1/4-20 X 5/8	1-2509
Screw-hex HD Cap, M6 X 16 8.8	1-16309
Screw-HHC,3/8-16 X 1	1-1401
Screw-self Tap,5 X 10mm	1-3724
Screw-self Tap,6 X 12mm	1-3824
Screw-slot Cheese Hd, M3 X 30	1-7104
Setscrew - Hex Socket M 10 X 1	EAM0005D07A
SHCS - M3 X 10 Din 912	1-12709
Sheet - Fireshield	EAS2021J24A
Sheet - Fireshield	EAS2021J24A
Shim Ring - 28 X 40 X	1-07162A
Snap Ring	1-13077
Spacer	ST0027005
Spacer - 1/4 X 3/8	1-11062A
Spring - Compression 5 X 63 X 120	1-6498
Spring - SAPE Auto Stop System	1-03967A
Spring Case Deep Draw	EAS2025D14A
Spring-comp D145e, Din 2098	1-06868A
Spring-extension Wheelguard,Hd	EAM0003J21A
Standoff - Hex, M4 X 10mm	1-7861
Tension Spring	1-04067A
Terminal Lug - 6.3mm X 8mm,Pop Riv	2-23201
Threaded Shaft, 40mm	EAM0005D15A
Tool - PDQ Weight	00058839000
Toothed Spring Tongue	EAC0058D31A
Torsion Sping	1-04167A
Touching Disc - 3dp - Sape	EAM0003J22A
Touching disk 3DP	EAM0003J22A
Tower Weldment - Monitor Support	EAS2021J59A
Transducer	EAA0260D59A
Trim - Flexible	00063096001
Tube Support-wheelguard	EAA0263G10A
Tubing - Flexible	5-06135A
Vibrator Ass'y-motorized	EAA0260D65A
Washer - Flat, 5/16	1-2541
Washer - Flat, Retaining	00060911000
Washer - Flat,M8	1-19841A
Washer - Nylon Flat	1-11744A
Washer Plain M8	1-10041
Washer, Flat OD .875 Id .252	1-20141A
Washer, Plain	1-9341
Washer, Plain 3/8	1-5741
Washer, Shakeproof D2	1-1048
Washer, Shakeproof D8	1-1748
Washer-ext,Shakeproof 6mm	1-1548
Washer-ext,Shakeproof,M3	1-1248
Washer-flat, M3 Din 125a	1-9541
Washer-plain, M10.5 Din 125	1-11841

Description	Part Number
Weight Tray	EAC0053J02A
Weldment - Wheelguard	EAS2021J40A
Wheelguard Tube Ring Nut	EAM0006G02A
Wheelguard Wldmt - System III	EAS2021J40A
Wing Nut (old)	8-02140A
Wldmt - cabinet,L1,Flat Pedestal	EAS2021J02A

PARTS IN NUMERICAL ORDER

Part Number	Description
00058839000	Tool - PDQ Weight
00060677000	Chain - Laminated, Instr. Shee
00060911000	Washer - Flat, Retaining
00063096001	Trim - Flexible
00110192000	Insert
00110194000	Cam
00111243000	Label - Warning, Explos.
00111245000	Label - Caution, Electric
00112322000	Handle
1-01215A	Screw - Lag, 5/16 X 1 1/2
1-03325A	Screw - Pan Hd, M3.9x9.2 Din7981
1-03325A	Screw - Pan HD, M3.9 X 9.2 Din7981
1-03967A	Spring - SAPE Auto Stop System
1-04067A	Tension Spring
1-04076A	Plug - Hole
1-04167A	Torsion Spring
1-06768A	Compression Spring D - 187
1-06868A	Spring-comp D145e, Din 2098
1-07039A	Nut - Tinnerman 1/4 - 20
1-07162A	Shim Ring - 28 X 40 X
1-10033	Hex Nut, Prevailing Torque M8
1-10041	Washer Plain M8
1-1048	Washer, Shakeproof D2
1-1101	Screw - HHCS, 3/8 - 16 X 2
1-11033	Nut, Hexagon
1-11062A	Spacer - 1/4 X 3/8
1-1115	Bolt-hex,5/16-18x3,Unc 2a,Tap
1-11233	Nut - Hex, M3 Din 934
1-11233	Nut-hex, M3 Din 934
1-1137	Nut - Nylon, 1/4 - 20
1-11633	Nut - Hex
1-11744A	Washer - Nylon Flat
1-11833	Nut-Hex M 10 X 1 DIN 934
1-11841	Washer-plain, M10.5 Din 125
1-12206	MSCR Phn 1/4-20 X 1-1/4
1-1248	Washer-ext,Shakeproof,M3
1-12709	SHCS - M3 X 10 Din 912
1-12806	Screw 1/4 - 20 X 1
1-13004	Screw Phillip Pan HD M 4 X 6
1-13077	Snap Ring
1-13377A	Circlip - 27 X 1.20
1-136006A	Screw - PHIL Hd,M4 X 6mm Din7985
1-13877A	Ring - Snap, .93 X .044
1-13906	Screw - Pan HD, M4 X 12 Din6906
1-1401	Screw-HHC,3/8-16 X 1
1-15033	Nut - Keps, M3 - .5
1-1548	Washer-ext,Shakeproof 6mm
1-16309	Screw-hex HD Cap, M6 X 16 8.8
1-17403	Screw Hex Socket / Countersunk M 4 X 25
1-1748	Washer, Shakeproof D8
1-17559A	Nutsert - M6
1-17609	Screw Hex Socket Head M8 X 16
1-17659A	Nutsert - M10
1-18209	Screw Hex Head Socket M8 X 45

Part Number	Description
1-18302A	RHMS - 1/4 20 X 5 Slotted
1-19841A	Washer - Flat,M8
1-19903A	Screw Hex Socket / Countersunk M 4 X 65
1-20141A	Washer, Flat OD .875 Id .252
1-21023A	Screw - Hex Head Type A,10x.5"
1-2509	Screw-BHCS,1/4-20 X 5/8
1-2541	Washer - Flat, 5/16
1-2967	Pretension Spring
1-30701	Screw Hex HD M 6 X 12
1-3624	Screw - FHMS 5 X 40mm, Self Tap
1-3724	Screw-self Tap,5 X 10mm
1-3724	Screw
1-3824	Screw-self Tap,6 X 12mm
1-4034	Nut - Hex M 10 X 1 DIN 439
1-45709A	Screw - BHCS - M8 X 30mm
1-47810	Screw, Set, M8 X 8mm Flat Pt
1-4909	Screw, Hex Head Socket Head M4 X 10
1-5433	Nut & L/Washer Assy 5/16 - 18
1-5741	Washer, Plain 3/8
1611128	Disc, Spring
1-6498	Spring - Compression 5 X 63 X 120
1-6668	Compression Spring
1-6739	Nut-tinnerman,1/4-20,J-type
1-7104	Screw-slot Cheese Hd, M3 X 30
1-7558	Pop Rivet - .188 Dia
1-7861	Standoff - Hex, M4 X 10mm
1-8133	Nut - Keps,3/8 - 16
1-9323	Screw - #8 X .5 Self Tap
1-9341	Washer, Plain
1-9541	Washer-flat, M3 Din 125a
1-9904	Screw, Phillips Head M2 X 16
2-01429A	Capacitor - Start, 10uf 400v
2-01529A	Capacitor - Start 20uf 400v
2-07661A	Microswitch
2-16851A	Power Entry Module
2-17947A	Connector - 10 Pin, Wago 733-110
2-19851A	Fuse - time Delay,5.00a 5 X 20mm
2-23201	Terminal Lug - 6.3mm X 8mm,Pop Riv
2-3657	Cable Clamp (Flat Cable)
2-40848A	Connector-5 Pin, Wago 731-605
3-01908A	Monitor - 15" Flat Screen
5-06135A	Tubing - Flexible
7409019-020	Clamp jaws set
8-02140A	Wing Nut (old)
8-03731A	Belt
8-1144	Ball, Steel
8-23562A	Label - Warning
8-23662A	Label - Safety
8-23762A	Label Earth Symbol
8-3531	Multirib Belt 5 PJ 711 Din 7867
8-7216	Plug-hole,16mm
EAA0247G21A	Caliper-Rim Width
EAA0255J10A	Membrane Switch
EAA0255J22A	Balancer Assy - JB VPI Sys III
EAA0255J23A	Electronic Unit Y2k Bal
EAA0255J27A	Auto Lock Ass'y-distance Guage

Part Number	Description
EAA0255J33A	Adapter Assy'
EAA0260D09A	Encoder PCB
EAA0260D45A	3D - P - SAPE
EAA0260D56A	Brake lever A cpl. (Mechanical Brake)
EAA0260D57A	Brake lever B cpl. (Mechanical Brake)
EAA0260D58A	Cable - Brake, S1
EAA0260D59A	Transducer
EAA0260D65A	Vibrator Ass'y-motorized
EAA0260D79A	Motor Pulley - Electromagnetic Brake (Early Model System III)
EAA0263G10A	Tube Support-wheelguard
EAA0263G66A	Quicknut W/ Handles, 40 mm
EAA0263G79A	Quick Nut Kit
EAA0266D20A	Rotative Transducer-assy
EAA0266D24A	Rotative Transducer
EAA0266D29A	Motor 230V/50-60HZ
EAA0283D42A	Keyboard Assy
EAC0053J02A	Weight Tray
EAC0053J03A	Arm - SAPE
EAC0053J05A	Display Housing
EAC0053J06A	Adjuster - arm, SAPE
EAC0053J09A	Cover - Wheelguard
EAC0053J15A	Brake Spacer
EAC0053J16A	Plate-switch Mounting
EAC0053J19A	Monitor Support - Crt/LCD
EAC0058D06A	Rope-reel 290mm
EAC0058D07A	Cup-Pressure,Haweka
EAC0058D08A	Disk Pressure
EAC0058D09A	Ejector
EAC0058D11A	Disk-touching
EAC0058D12A	Cog Wheel - 56 Tooth
EAC0058D13A	Cog Wheel-28 Tooth
EAC0058D15A	Rubber Ring
EAC0058D23A	Cog Wheel
EAC0058D31A	Toothed Spring Tongue
EAC0058D34A	Cover Plate
EAC0060G02A	Flange - Cover,Access
EAC0060G03A	Bushing, Wheelguard Tube
EAL0307L00A	Label - Canadian Certification
EAL0341J07A	Label - Warning, Disconnect Power
EAL0341J08A	Label - Warning,Safety Goggles
EAL0341J09A	Label - Warning,Moving Comp
EAL0341J16A	Decal - Logo, JBC
EAL0341J19A	Label - Elec/Serial, EEWB502A
EAL0341J22A	Decal - VPI Sys III
EAL0341J25A	Hang Sheet - Instr,Sys III Bal
EAL0341J36A	Label - Attention - Brake Pedal
EAL0341J37A	Label - fuse 5 AMP
EAL0341J45A	Decal - VPI System IV
EAL0343J00A	Nameplate - JBC, Head
EAL0343J42A	Label - Elec/Ser V3D Obs02j0819
EAL0343J53A	Label - Warn.patent
EAL0343J76A	Label - Electrical/Serial
EAL0345D01A	Measure Tape - 1D SAPE
EAM0003J05A	Cone-Small
EAM0003J06A	Cone-Small
EAM0003J07A	Cone-Large

Part Number	Description
EAM0003J08A	Cone-Truck, 29 Deg
EAM0003J21A	Spring-extension Wheelguard,Hd
EAM0003J22A	Touching Disc - 3dp - Sape
EAM0003J22A	Touching disk 3DP
EAM0005D07A	Setscrew - Hex Socket M 10 X 1
EAM0005D08A	Motor Pulley
EAM0005D09A	Motor Distance bolt
EAM0005D12A	Drive Wheel
EAM0005D15A	Threaded Shaft, 40mm
EAM0005D35A	Guiding Reel
EAM0005D37A	Rod - M1
EAM0005D38A	Bushing 1
EAM0005D39A	Bushing 2
EAM0005D40A	Calibration Weight
EAM0006G01A	Hook - Accessory Storage
EAM0006G02A	Wheelguard Tube Ring Nut
EAM0006G10A	Microswitch Support
EAM0006G11A	Microswitch Activator
EAP0192P80A	PCB Ass'y Display
EAP0201D00C	PCB Ass'y - Processor
EAP0201D10B	PCB Ass'y - Power Interface
EAS2020P20A	Pedal-brake,JBEG
EAS2020P20A	Pedal
EAS2021J02A	Wldmt - cabinet,L1,Flat Pedestal
EAS2021J06A	Bracket - top Adjuster, Display
EAS2021J11A	Display Wldmt-tower,L1
EAS2021J24A	Sheet - Fireshield
EAS2021J24A	Sheet - Fireshield
EAS2021J30A	Frame - Digital Box, Top
EAS2021J31A	Frame Ass'y - Digital Box Base
EAS2021J33A	Plate Backing Membrane - JB VPI Sys III
EAS2021J35A	Bracket - Belt Retainer
EAS2021J36A	Mounting Brkt 2D SAPE
EAS2021J37A	Mounting Brkt 2D SAPE, Bottom
EAS2021J40A	Wheelguard Wldmt - System III
EAS2021J40A	Weldment - Wheelguard
EAS2021J42A	Plate - Inner, Display, L1
EAS2021J59A	Tower Weldment - Monitor Support
EAS2021J63A	Clamp,Tower
EAS2021J64A	Plate tube Stop
EAS2021J66A	Base Bracket - Monitor Support
EAS2021J67A	Adj Bracket - Monitor Support
EAS2025D14A	Spring Case Deep Draw
EAS2025D34A	Outer Sheet
EAS2025D35A	Inner Sheet
EAS2027G18A	Brake Pedal Support
EAW0233J04A	Cable - JBC Display
EAW0233J05A	Cable - IEC Module Power Interfa
EAW0233J06A	Cable - IEC, Jumper
EAW0233J08A	Microswitch
EAW0239D00A	Ribbon Cable Vibratory
EAW0239D19A	Harness from potetiometer to Ebox
EAX0039J01A	Cord - Power,230V
EAX0039J01A	Cord - Power, 230v
EAX0039J02A	Cord - Power 230v Pigtail
ST0027000	Cover

Part Number	Description
ST0027005	Spacer
ST7022499	C - Clip
ST7205389	Screw, Handle
ST7417071	Screw
ZEEWB502A9	Lit Pack - JB VPI Sys III Bal
ZEEWB516A9	Lit Pack - Sys 1&2 Balancer

**USA**

John Bean
309 Exchange Avenue
Conway, Arkansas 72032
Tel.: (800) 362-8326 or (501) 450-1500
Fax: (501) 450-1585

FRANCE

John Bean
Snap-On Equipment France
Z.A. Du Vert Galant
15, rue de la Guivernone
BP 7175
95310 Saint Ouen L'Aumone
Tel: (33) 1-3448-5878
Fax: (33) 1-3448-5879

UNITED KINGDOM

Snap-On Equipment Ltd.
John Bean Equipment Group
Oldmedow Road
Kings Lynn
Norfolk
PE30 4JW

CANADA

John Bean
6500 Millcreek Drive
Mississauga, Ontario
Canada L5N 2W6
Tel: (905) 814-0114
Fax: (905) 814-0110

JBC GERMANY

Geschaeftsbereich der Snap-on Equipment GmbH
Werner-von-Siemens-Str. 2
D-63419 Pfungstadt
Deutschland
Tel: +49 (0) 6157 12 600
Fax: +49 (0) 6157 12 601
Website: www.johnbean.de

LATIN AMERICA

Snap-on Tools International, Ltd.
2801 80th Street
Kenosha, WI 53143
Tel: (262) 656-5003
Fax: (414) 656-1403

Notice: The information contained in this document is subject to change without notice. **John Bean** makes no warranty with regard to this material. **John Bean** shall not be liable for errors contained herein or for incidental consequential damages in connection with furnishings, performance, or use of this material.

This document contains proprietary information which is protected by copyright and patents. All rights are reserved. No part of this document may be photocopied, reproduced, or translated without prior written consent of **John Bean**.



is a registered trademark of Snap-on Equipment