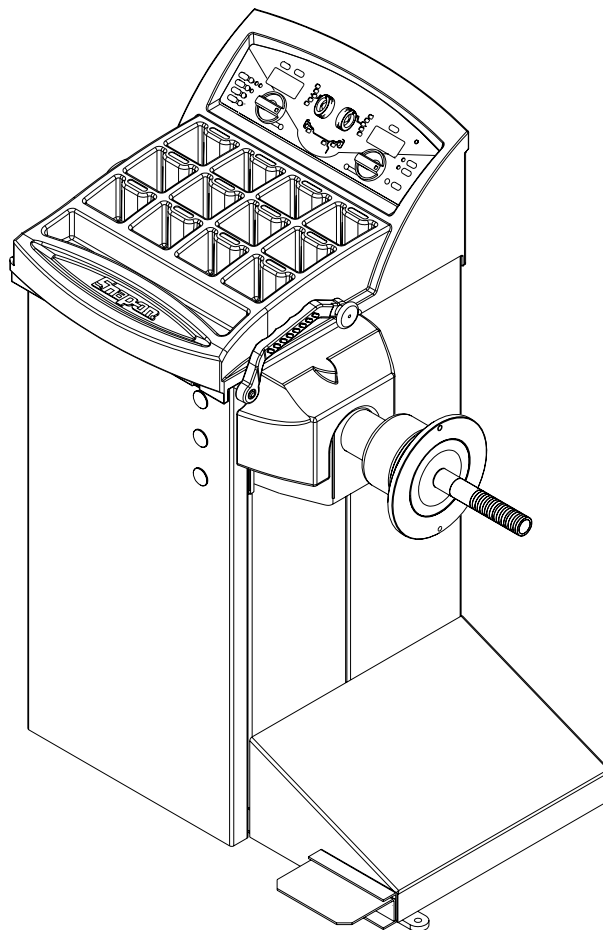




EEWB305B
EEWB308B

Electronic Hand Spin Wheel Balancer



Parts Reference

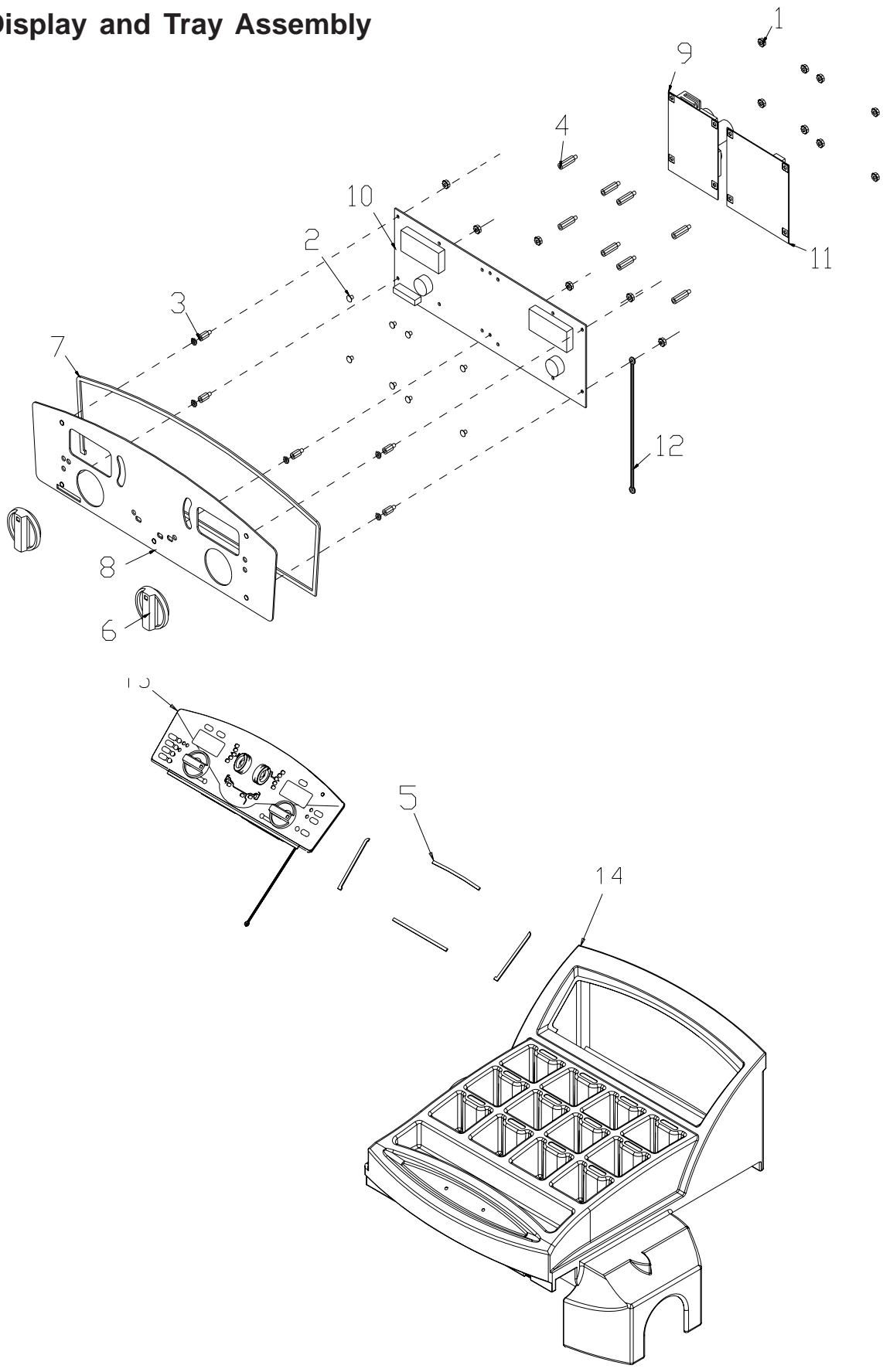
TEEWB305B

All information contained or disclosed in this document is considered confidential and proprietary by Snap-on Tools Company. All manufacturing, use, reproduction, and sales rights are reserved by Snap-on Tools Company and the information contained herein shall not be used in whole or in part without the express written consent of Snap-on Tools Company.

Table of Contents

Display and Tray Assembly	2
Lower Cabinet Assembly	4
Vibratory Assembly	6
Shaft Adapters and Accessories	7
Semi-automatic Parameter Entry Arm Assembly	8
Motorcycle Adapters	9
Standard Motorcycle Adapters	10

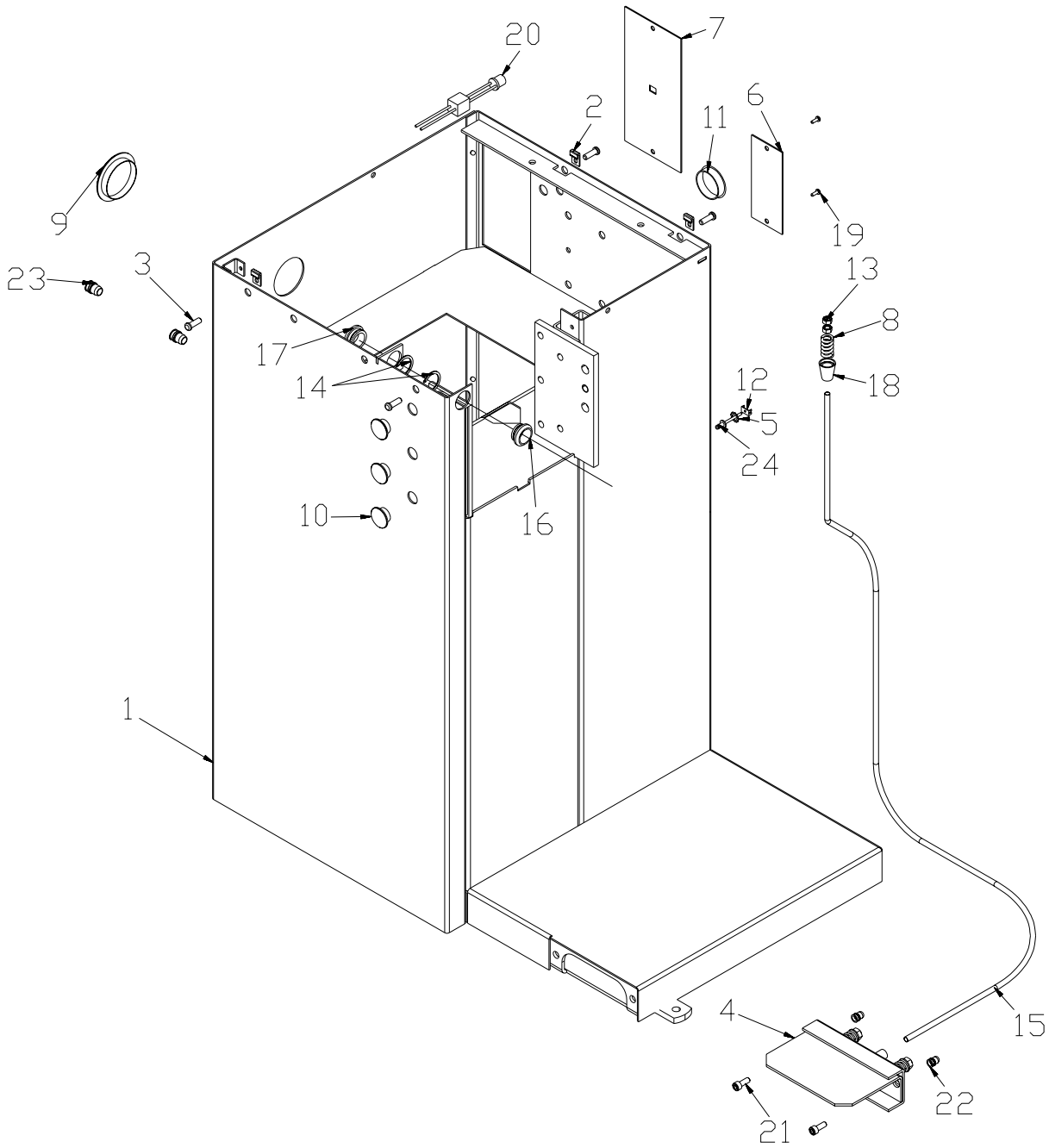
Display and Tray Assembly



Display and Tray Assembly

<u>Ref</u>	<u>Qty</u>	<u>Part Number</u>	<u>Description</u>
1	14	1-15033	Nut - Keps, M3 - .5
2	8	1-31106A	Screw - PHMS, M3 - .25mm
3	5	1 - 11062A	Spacer - 1/4" X 3/8"
4	8	1 - 10962A	Spacer - 1/4" X 3/4"
5	1ft	5 - 8426A2	Strap - 1/4" Velcro (blk) Loop
6	2	1591-01	Knob - Black, D Shaft
7	2ft	5-8426A1	Strap -1/4" Velcro (blk) Hook
8	1	EAA0255J00A	Switch - Membrane, with Sheet Metal Back
9	1	EAP0192P30A	PCB Assembly - Power Interface
*	1	2-13851	Fuse, 1.6 Amp
10	1	EAP0192P40A	PCB Assembly - Display
11	1	EAP0201D00C	PCB Assembly - Processor
12	1	EAW0233J00A	Wire Assembly - Grd
13	1	EAA0255J07A	Display Assembly - Snap-on Handspin
14	1	EAC0053J00A	Tray - Weight, Snap-on Handspin

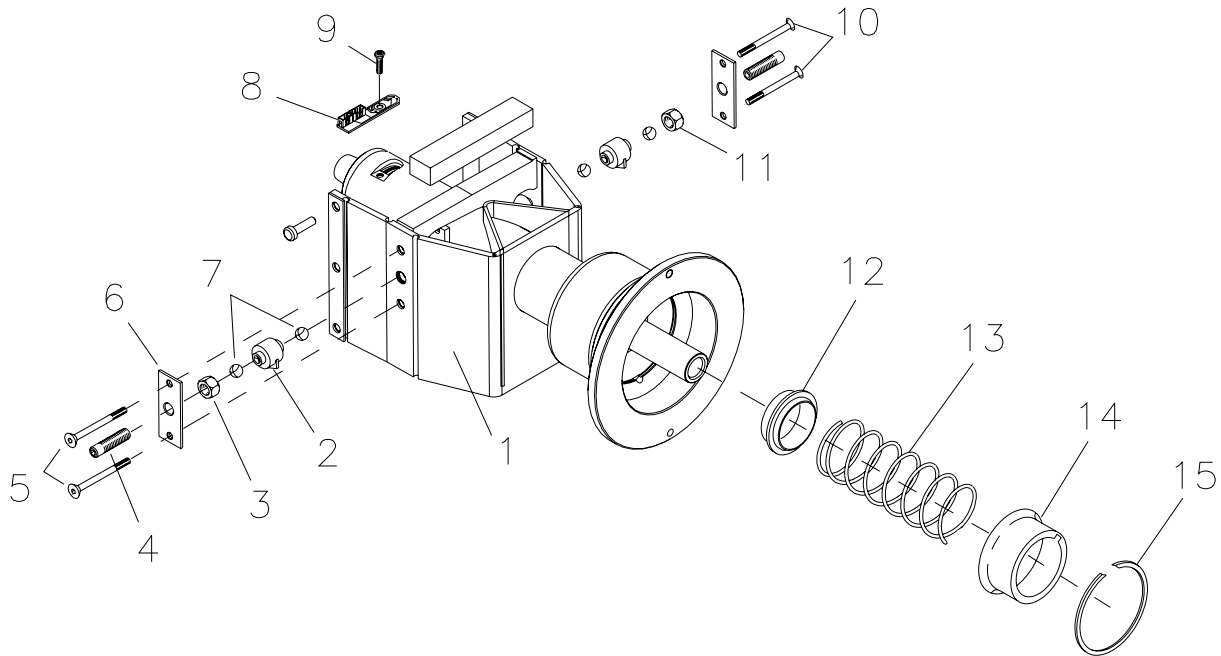
Lower Cabinet Assembly



Lower Cabinet Assembly

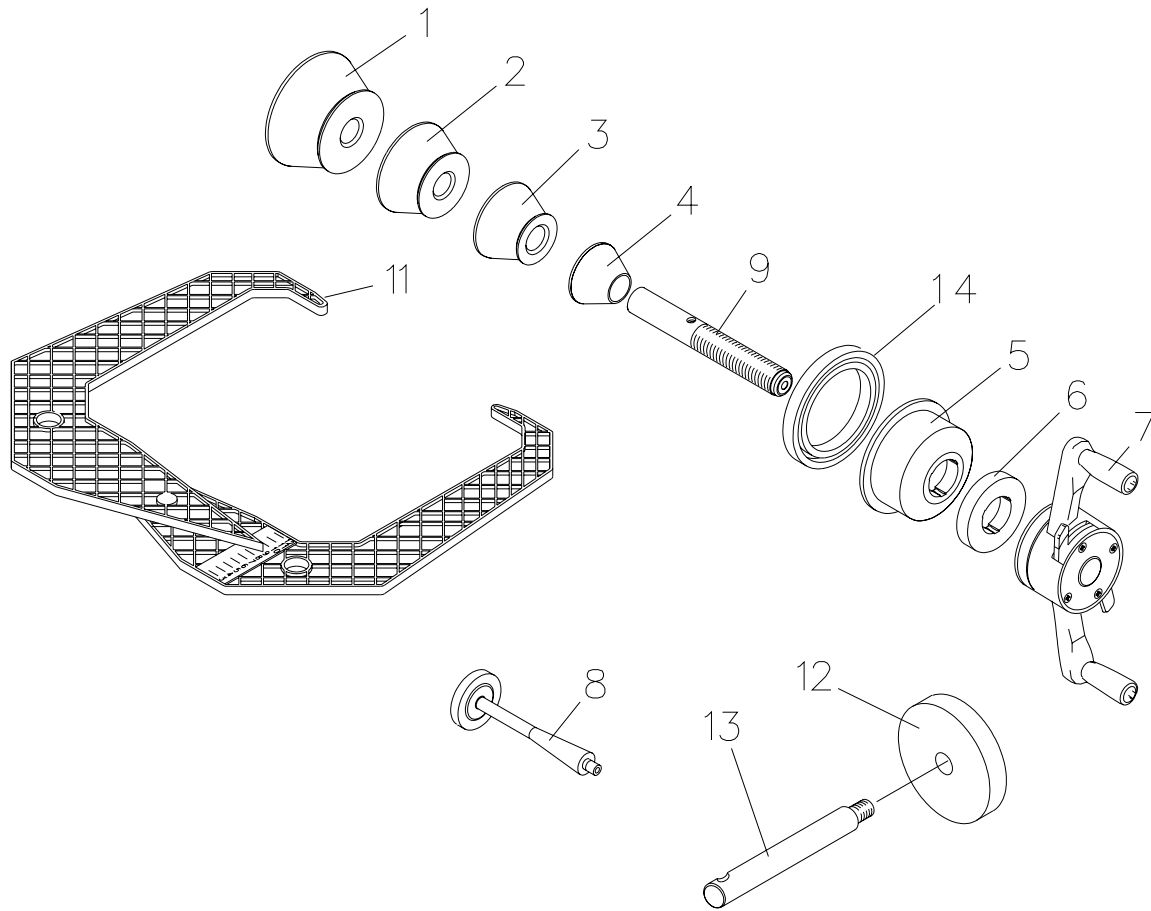
<u>Ref</u>	<u>Qty</u>	<u>Part Number</u>	<u>Description</u>
1	1	EAS2027G00A	Cabinet Weldment - S1a
2	4	1-6739	Nut - Tinnerman, 1/4 - 20 Type J
3	4	1-44009A	Screw - BHCS - 1/4 - 20x7/8
4	1	EAA0263G06A	Brake Pedal Assy
*	2	1-06768A	Spring Compression, D187
*	2	1-10033	Nut - ESNA, M8
*	2	1-10041	Washer - Plain, M8 Din 125 A
*	2	1-18209	SHCS - M8 X 45
*	1	EAM0006G00A	Spacer - Brake Cable
*	1	EAS2027G18A	Support - Brake Pedal
*	1	EAS2027G31A	Pedal - Brake, Chamfered
5	1	1-1548	Washer - 6mm Sp - Ext
6	1	EAS2021J05A	Panel - Cover, Wheel Access Hole
7	1	EAS2021J04A	Panel - Cover, Elec Access Hole
8	1	1-6668	Spring Compression
9	1	1-2676	Plug - Hole 2"Dia Black
10	3	8-7216	Plug - Hole 16mm
11	1	1-3176	Plug - Hole, Plastic 1.5"
12	1	2-23201	Terminal - Lug, Pop Rivet
13	2	1-11633	Hex Nut
14	2	1-13877A	Ring - Snap, .93 X .044
15	1	EAA0260D58A	Cable - Brake S1
16	1	EAM0005D39A	Bushing - Inside Sape
17	1	EAM0005D38A	Busing - Outside Sape
18	1	EAC0053J15A	Brake Spacer
19	4	1-3724	Screw - M5 X 10, Thread Forming
20	1	EAW0240G08A	Cable Assy - Internal
21	2	1-16309	Screw - SHCS - M6 X 16mm 8.8
22	2	1-17559A	Nutsert - M - 6
23	4	1-17659A	Nutsert - M10
24	1	1-7558	Rivet - Pop
*	1	7-14201A	Adapter - AC 120Vac - 9Vac, 1.9a
*	1	EAL0343J53A	Label - Warn.patent
*	1	EAL0341J08A	Label - Warning, Safety Goggles
*	1	EAL0341J09A	Label - Warning, Moving Comp
*	1	EAL0341J36A	Label - Attention - Brake Pedal

Vibratory Assembly



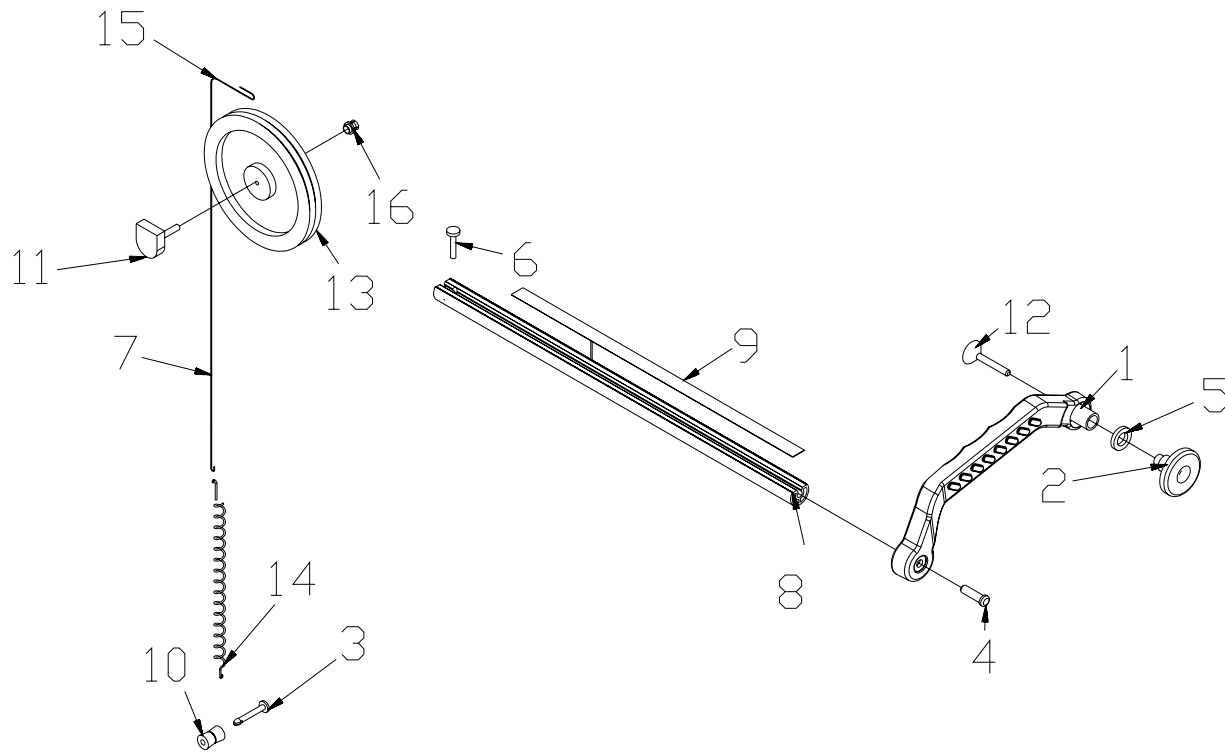
<u>Ref</u>	<u>Qty</u>	<u>Part Number</u>	<u>Description</u>
1	1	EAA0332G65A	Vibratory Ass'y, SOT Handspin
2	1	EAA0260D59A	Transducer
3	1	1-11833	Nut-Hex M 10 X 1 DIN 934
4	2	EAM0005D07A	Setscrew - Hex Socket M 10 X 1
5	2	1-19903A	Screw Hex Socket / Countersunk M 4 X 65
6	2	1-2967	Pretension Spring
7	4	8-1144	Ball, Steel
8	1	EAA0260D09A	Encoder PCB
9	1	1-13004	Screw Phillip Pan HD M 4 X 6
10	2	1-17403	Screw Hex Socket / Countersunk M 4 X 25
11	1	1-4034	Nut - Hex M 10 X 1 DIN 439
12	1	EAC0058D03A	Spring Centering Ring
13	1	1-6498	Spring - Compression 5 X 63 X 120
14	1	EAS2025D14A	Spring Case Deep Draw
15	1	1-13077	Snap Ring
*	2	EAM0005D06A	Brake Ring
*	1	1575	Brake Solenoid
*	1	EAA0260D11A	Brake Lever
*	1	EAW0239D00A	Ribbon Cable Vibratory

Shaft Adapters and Accessories



Ref #	Qty	Part Number	Description
1	1	EAM0003J08A	Cone, 89-132 mm (3.50 - 5.20 inches)
2	1	EAM0003J07A	Cone, 71 - 99 mm (3.23 - 3.90 inches)
3	1	EAM0003J06A	Cone, 56 - 84 mm (2.67 - 3.35 inches)
4	1	EAM0003J05A	Cone, 43 -63 mm (1.66 - 2.50 inches)
5	1	EAM0058D07A	Cup - Pressure
6	1	EAC0058D08A	Disk - Pressure
7	1	EAA0263G79A	Quick Nut
8	1	EAM0005D40A	Weight - Calibration
9	1	EAM0021D90A	40 mm Stub Shaft
11	1	EAA0247G21A	Caliper - Rim Width
12	4	EAC0060G02A	Flange - Cover, Hook
13	4	EAM0006G01A	Hook - Storage
*	1	ZEEWB304B9	LIT-PACK SO LOW DIG

Semi-automatic Parameter Entry Arm Assembly



<u>Ref</u>	<u>Qty</u>	<u>Part Number</u>	<u>Description</u>
1	1	EAC0053J03A	Arm - Sape
2	1	EAC0058D11A	Disk Touching
3	1	8-1940	Pin - Push In, Nylon, .17 X 1.06
4	1	1-3824	Screw - M6 X 12mm Pan Hd
5	1	1-13044A	Washer - Flat Nylon Blk
6	1	1-13609	Screw - M4 X 16 - 8.8 - A2j Din 912
7	1	2-07557A	Sleeve - Compression, Oval
8	1	EAM0005D36A	Rod - Sape, S1
9	1	EAL0345D01A	Measure Tape - 1D Sape
10	1	EAM0005D35A	Reel - Guiding Sape
11	1	EAA0266D20A	Rotative Transducer - 10ohm Asy
12	1	1-3624	Screw - 5.0 X 40mm, Self Tap
13	1	EAC0058D06A	Reel - Rope 290mm
14	1	1-03267A	Tension Spring 1D - Sape
15	2	6-00404A	Rope - Hemingway Dyneema, Typ40

Motorcycle Adapters



EAA0277D29A Extended Shaft Adapter



EAA0277D03A 10mm Shaft Adapter



EAA0277D22A Harley Davidson wheels



EAA0277D07A Suzuki, NTV, and Moto Guzzi V11 wheels



EAA0277D06A Rear Scooter Wheels



EAA0277D58A Handle for Motorcycle adapter



EAA0277D05A Scooter Wheels



EAA0260D80A Basic Adapter



EAA0277D16A BMW Mono-lever Wheels



EAA0277D20A Ducati Wheels



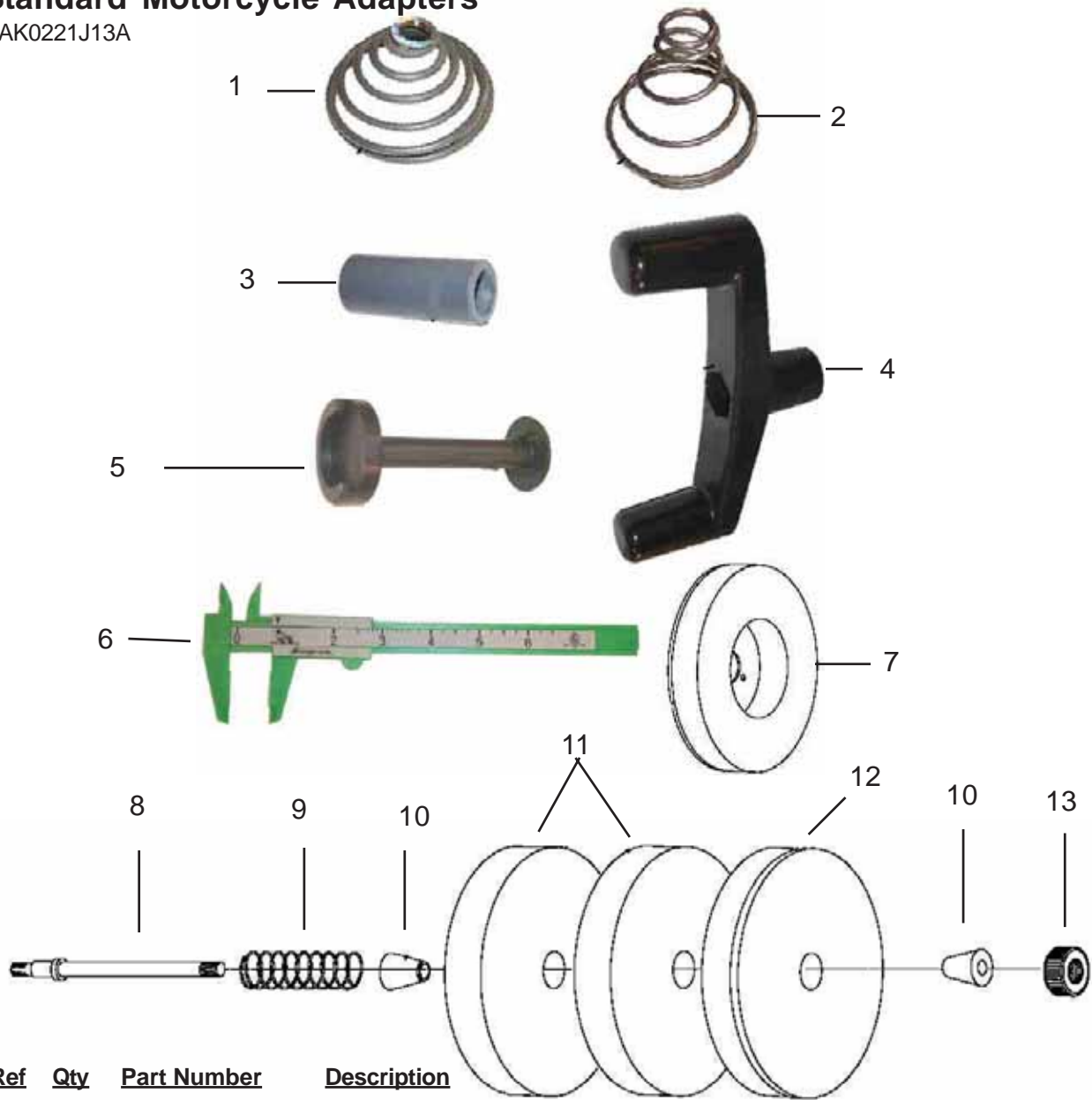
EAA0277D09A Honda or Yamaha rear Mono-lever wheels



EAA0277D11A Aprilia Rear Mono-lever

Standard Motorcycle Adapters

EAK0221J13A



Ref	Qty	Part Number	Description
1	1	1412	Spring
2	1	3607-01	Spring
3	1	3609-01	Spacer - M/C shaft
4	1	7607	Spin Hand Crank handle
	1	EAM0006G16A	Bolt - Crank handle (Not Shown)
5	1	EAM0005D62A	Extension Guage
6	1	8430-02	Caliper M/C
7	1	EAA0255J43A	Flange
8	1	EAM0003J33A	Shaft 14mm
9	1	1401	Spring
10	2	1387	Cone
11	2	1389-01	Pressure Disc
12	1	1389-02	Pressure Disc
13	1	1388	Ring Nut

Items 8 thru 13 EAK0221J15A Motorcycle adapter kit



Snap-on Incorporated
2801 80th Street
Kenosha, WI 53141 - 1410

For Service Call:
1-800-225-5786

Notice: The information contained in this document is subject to change without notice. Snap-on Incorporated makes no warranty with regard to this material. Snap-on Incorporated shall not be liable for errors contained herein or for incidental consequential damages in connection with furnishings, performance, or use of this material.

This document contains proprietary information which is protected by copyright and patents. All rights are reserved. No part of this document may be photocopied, reproduced, or translated without prior written consent of Snap-on Incorporated.

Snap-on is a registered trademark of Snap-on Incorporated