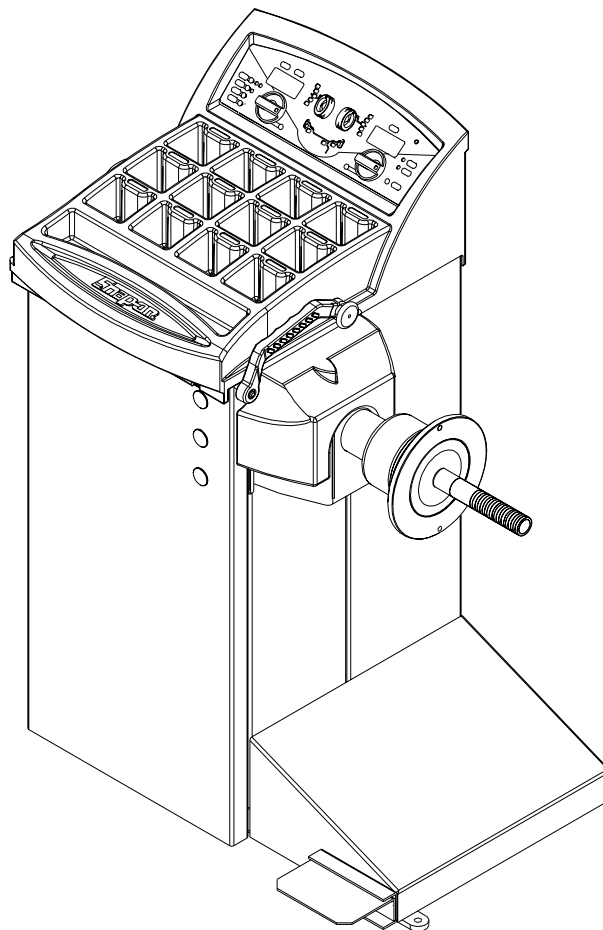




EEWB305A  
EEWB308A

---

Electronic Hand Spin Wheel Balancer



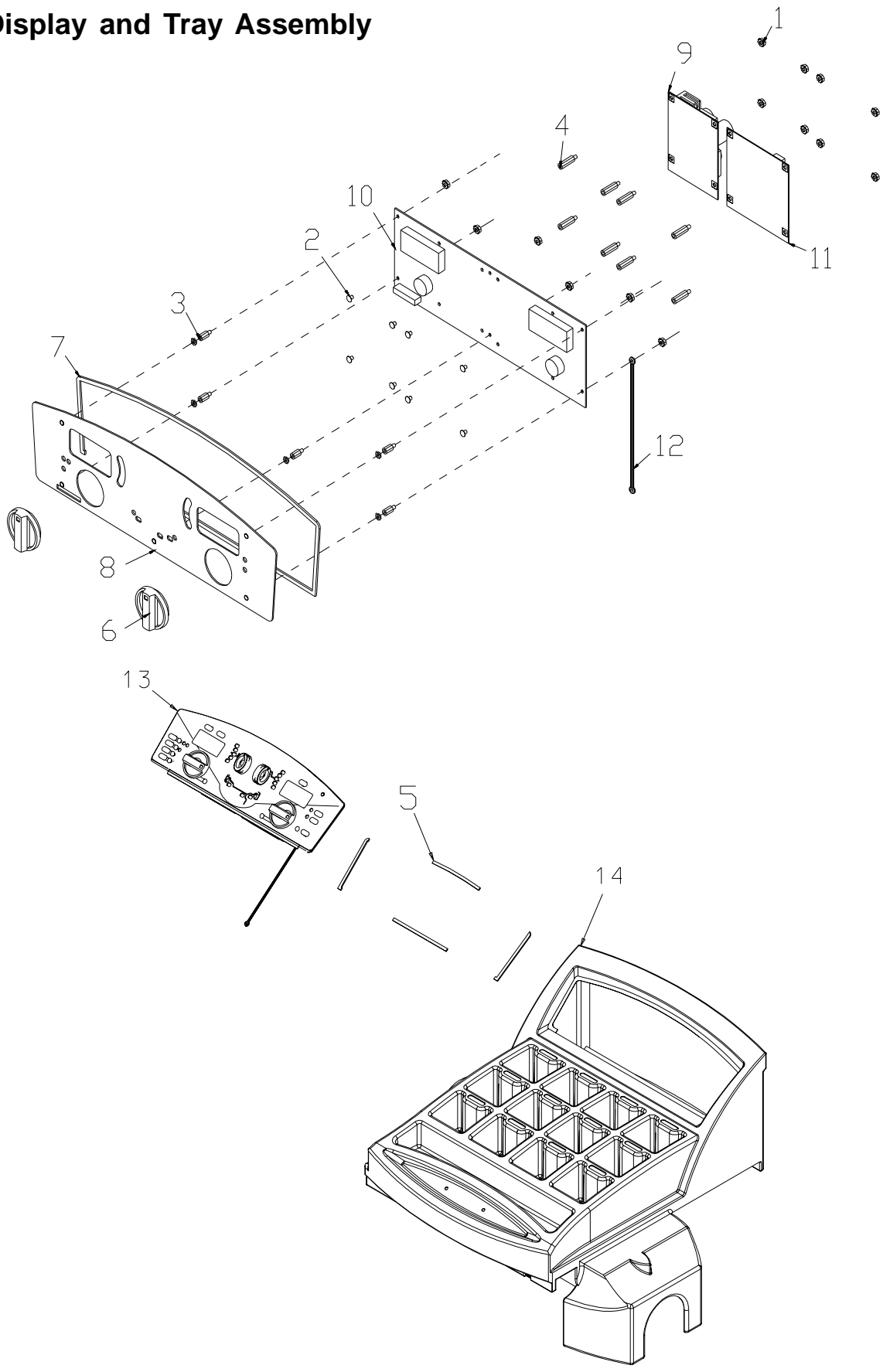
Parts Reference

**All information contained or disclosed in this document is considered confidential and proprietary by Snap-on Tools Company. All manufacturing, use, reproduction, and sales rights are reserved by Snap-on Tools Company and the information contained herein shall not be used in whole or in part without the express written consent of Snap-on Tools Company.**

# Table of Contents

Display and Tray Assembly .....	2
Lower Cabinet Assembly .....	4
Vibratory Assembly .....	6
Shaft Adapters and Accessories .....	7
Semi-automatic Parameter Entry Arm Assembly .....	8
Motorcycle Adapters .....	9
Standard Motorcycle Adapters .....	10
PARTS IN ALPHABETICAL ORDER .....	11
PARTS IN NUMERICAL ORDER .....	14

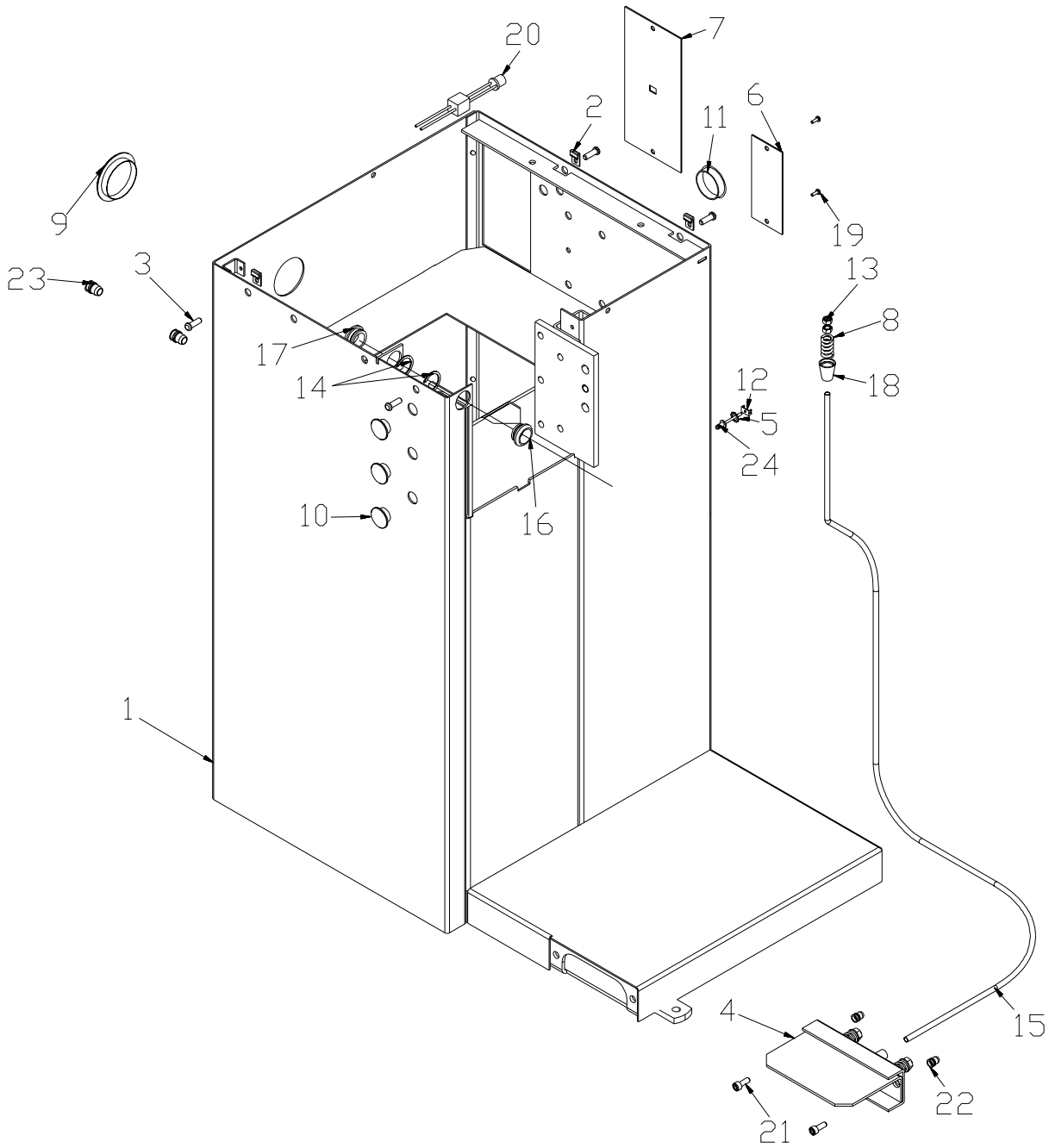
# Display and Tray Assembly



## Display and Tray Assembly

<u>Ref</u>	<u>Qty</u>	<u>Part Number</u>	<u>Description</u>
1	14	1-15033	Nut - Keps, M3 - .5
2	8	1-31106A	Screw - PHMS, M3 - .25mm
3	5	1 - 11062A	Spacer - 1/4" X 3/8"
4	8	1 - 10962A	Spacer - 1/4" X 3/4"
5	1ft	5 - 8426A2	Strap - 1/4" Velcro (blk) Loop
6	2	1591-01	Knob - Black, D Shaft
7	2ft	5-8426A1	Strap -1/4" Velcro (blk) Hook
8	1	EAA0255J00A	Switch - Membrane, with Sheet Metal Back
9	1	EAP0192P30A	PCB Assembly - Power Interface
*	1	2-13851	Fuse, 1.6 Amp
10	1	EAP0192P40A	PCB Assembly - Display
11	1	EAP0201D00C	PCB Assembly - Processor
12	1	EAW0233J00A	Wire Assembly - Grd
13	1	EAA0255J07A	Display Assembly - Snap-on Handspin
14	1	EAC0053J00A	Tray - Weight, Snap-on Handspin

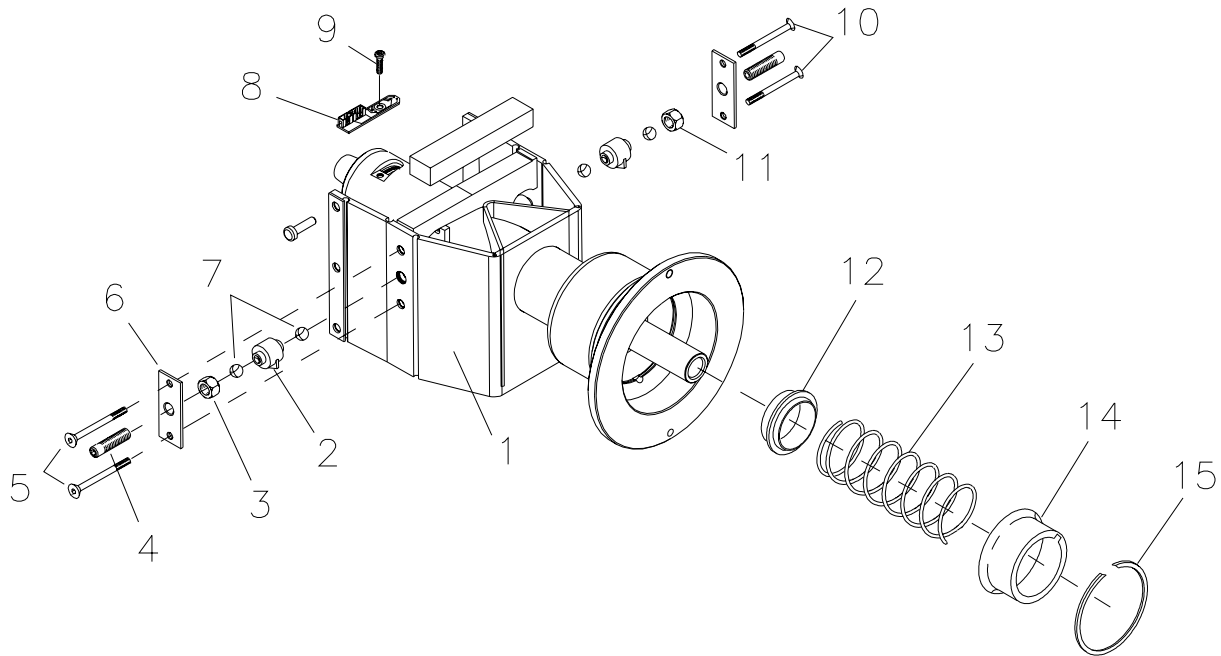
# Lower Cabinet Assembly



## Lower Cabinet Assembly

<u>Ref</u>	<u>Qty</u>	<u>Part Number</u>	<u>Description</u>
1	1	EAS2027G00A	Cabinet Weldment - S1a
2	4	1-6739	Nut - Tinnerman, 1/4 - 20 Type J
3	4	1-44009A	Screw - BHCS - 1/4 - 20x7/8
4	1	EAA0263G06A	Brake Pedal Assy
*	2	1-06768A	Spring Compression, D187
*	2	1-10033	Nut - ESNA, M8
*	2	1-10041	Washer - Plain, M8 Din 125 A
*	2	1-18209	SHCS - M8 X 45
*	1	EAM0006G00A	Spacer - Brake Cable
*	1	EAS2027G18A	Support - Brake Pedal
*	1	EAS2027G31A	Pedal - Brake, Chamfered
5	1	1-1548	Washer - 6mm Sp - Ext
6	1	EAS2021J05A	Panel - Cover, Wheel Access Hole
7	1	EAS2021J04A	Panel - Cover, Elec Access Hole
8	1	1-6668	Spring Compression
9	1	1-2676	Plug - Hole 2"Dia Black
10	3	8-7216	Plug - Hole 16mm
11	1	1-3176	Plug - Hole, Plastic 1.5"
12	1	2-23201	Terminal - Lug, Pop Rivet
13	2	1-11633	Hex Nut
14	2	1-13877A	Ring - Snap, .93 X .044
15	1	EAA0260D58A	Cable - Brake S1
16	1	EAM0005D39A	Bushing - Inside Sape
17	1	EAM0005D38A	Busing - Outside Sape
18	1	EAC0053J15A	Brake Spacer
19	4	1-3724	Screw - M5 X 10, Thread Forming
20	1	EAW0240G08A	Cable Assy - Internal
21	2	1-16309	Screw - SHCS - M6 X 16mm 8.8
22	2	1-17559A	Nutsert - M - 6
23	4	1-17659A	Nutsert - M10
24	1	1-7558	Rivet - Pop
*	1	7-14201A	Adapter - AC 120Vac - 9Vac, 1.9a
*	1	EAL0343J53A	Label - Warn.patent
*	1	EAL0341J08A	Label - Warning, Safety Goggles
*	1	EAL0341J09A	Label - Warning, Moving Comp
*	1	EAL0341J36A	Label - Attention - Brake Pedal

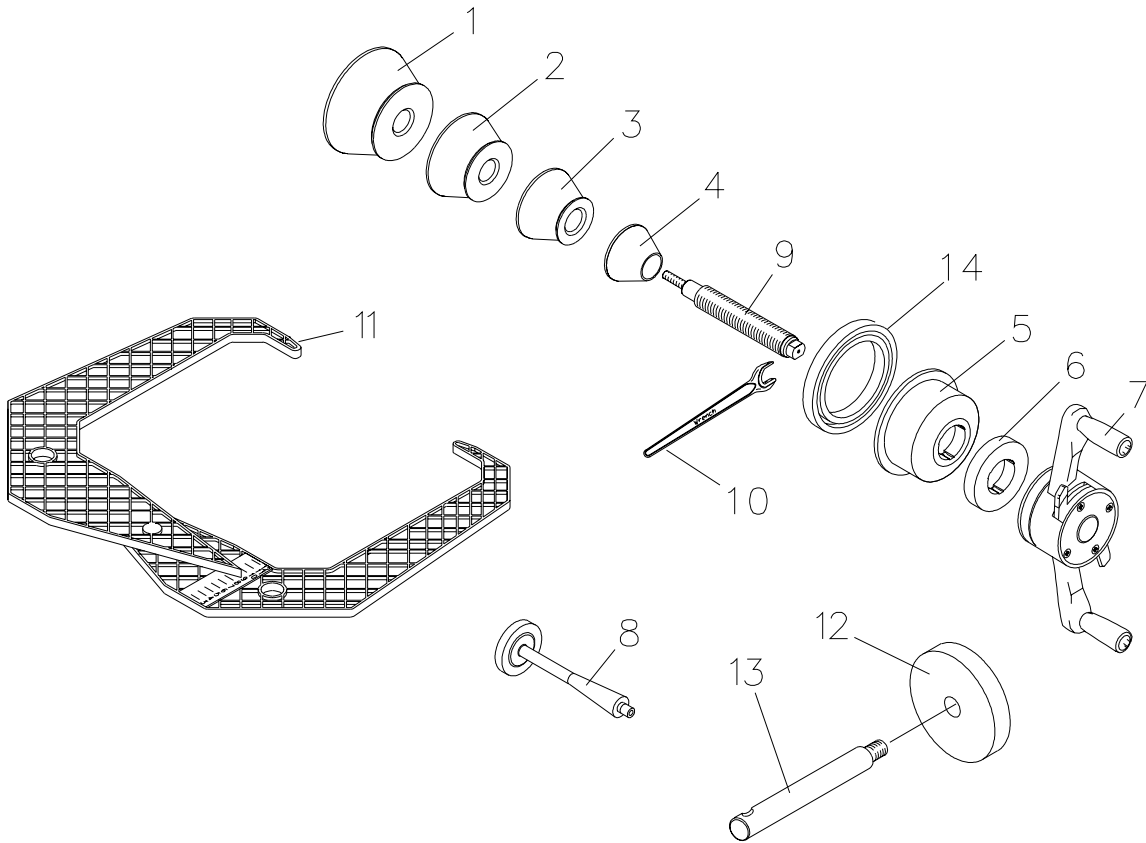
## Vibratory Assembly



<b>Ref</b>	<b>Qty</b>	<b>Part Number</b>	<b>Description</b>
1	1	EAA0260D01A	Vibratory Ass'y, SOT Handspin
2	1	EAA0260D59A	Transducer
3	1	1-11833	Nut-Hex M 10 X 1 DIN 934
4	2	EAM0005D07A	Setscrew - Hex Socket M 10 X 1
5	2	1-19903A	Screw Hex Socket / Countersunk M 4 X 65
6	2	1-2967	Pretension Spring
7	4	8-1144	Ball, Steel
8	1	EAA0260D09A	Encoder PCB
9	1	1-13004	Screw Phillip Pan HD M 4 X 6
10	2	1-17403	Screw Hex Socket / Countersunk M 4 X 25
11	1	1-4034	Nut - Hex M 10 X 1 DIN 439
12	1	EAC0058D03A	Spring Centering Ring
13	1	1-6498	Spring - Compression 5 X 63 X 120
14	1	EAS2025D14A	Spring Case Deep Draw
15	1	1-13077	Snap Ring
*	2	EAM0005D06A	Brake Ring
*	1	1575	Brake Solenoid
*	1	EAA0260D11A	Brake Lever
*	1	EAW0239D00A	Ribbon Cable Vibratory

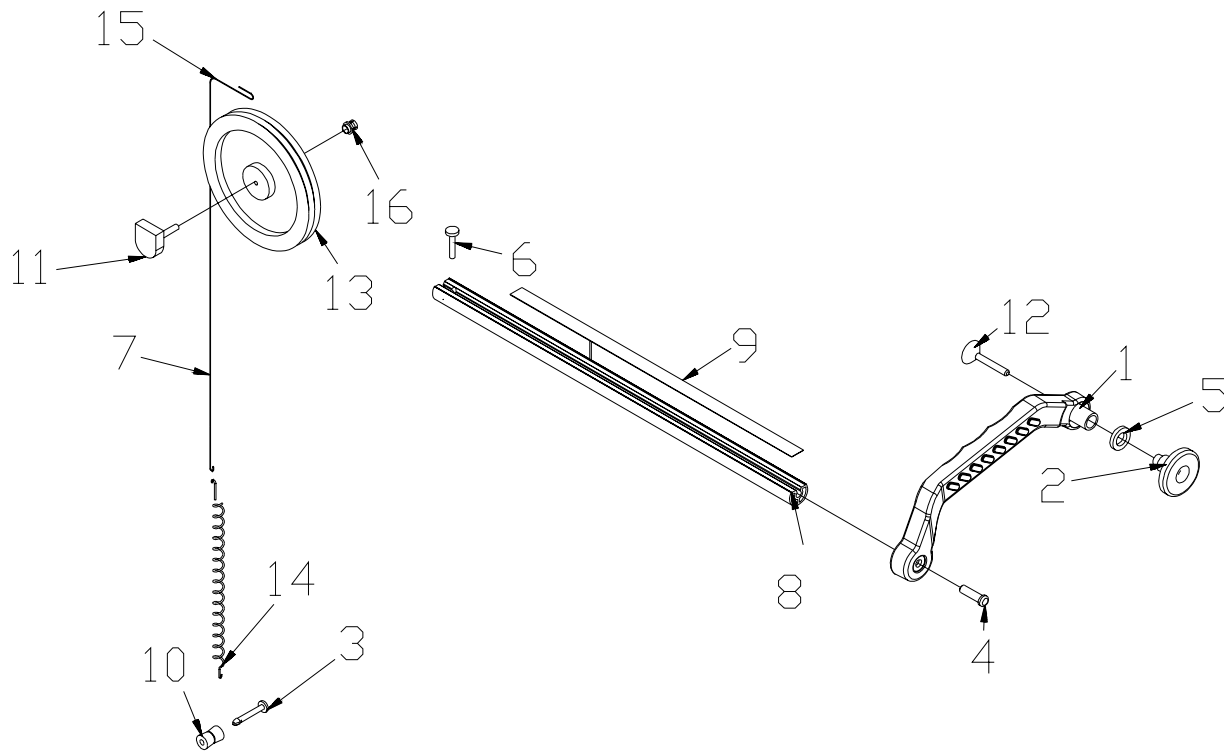


## Shaft Adapters and Accessories



<b>Ref</b>	<b>Qty</b>	<b>Part Number</b>	<b>Description</b>
1	1	EAM0003J13A	Cone, 89-132 mm (3.50 - 5.20 inches)
2	1	EAM0003J12A	Cone, 82-99 mm (3.23 - 3.90 inches)
3	1	EAM0003J11A	Cone, 68-85 mm (2.67 - 3.35 inches)
4	1	EAM0003J10A	Cone, 43-72 mm (1.69 - 2.84 inches)
5	1	8 - 02040A2	Cup - Pressure
6	1	8 - 02040A1	Disk - Pressure
7	1	8 - 02040A	Quick Nut
8	1	EAM0005D40A	Weight - Calibration
9	1	EAM0005D14A	Stub Shaft
10	1	8 - 01050A	Wrench - Fork, 19mm
11	1	EAA0247G21A	Caliper - Rim Width
12	4	EAC0060G02A	Flange - Cover, Hook
13	4	EAM0006G01A	Hook - Storage
14	1	00110410000	Protective Ring
*	1	ZEEWB305A9	Lit Pack - EEWB305A

## Semi-automatic Parameter Entry Arm Assembly



<b>Ref</b>	<b>Qty</b>	<b>Part Number</b>	<b>Description</b>
1	1	EAC0053J03A	Arm - Sape
2	1	EAC0058D11A	Disk Touching
3	1	8-1940	Pin - Push In, Nylon, .17 X 1.06
4	1	1-3824	Screw - M6 X 12mm Pan Hd
5	1	1-13044A	Washer - Flat Nylon Blk
6	1	1-13609	Screw - M4 X 16 - 8.8 - A2j Din 912
7	1	2-07557A	Sleeve - Compression, Oval
8	1	EAM0005D36A	Rod - Sape, S1
9	1	EAL0345D01A	Measure Tape - 1D Sape
10	1	EAM0005D35A	Reel - Guiding Sape
11	1	EAA0266D20A	Rotative Transducer - 10ohm Asy
12	1	1-3624	Screw - 5.0 X 40mm, Self Tap
13	1	EAC0058D06A	Reel - Rope 290mm
14	1	1-03267A	Tension Spring 1D - Sape
15	2	6-00404A	Rope - Hemingway Dyneema, Typ40

# Motorcycle Adapters



EAA0277D29A Extended Shaft Adapter



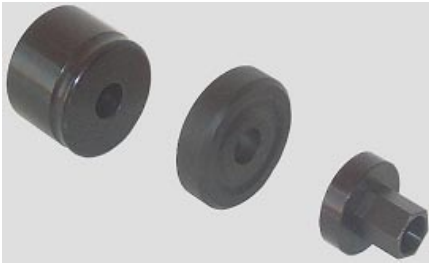
EAA0277D03A 10mm Shaft Adapter



EAA0277D22A Harley Davidson wheels



EAA0277D07A Suzuki, NTV, and Moto Guzzi V11 wheels



EAA0277D06A Rear Scooter Wheels



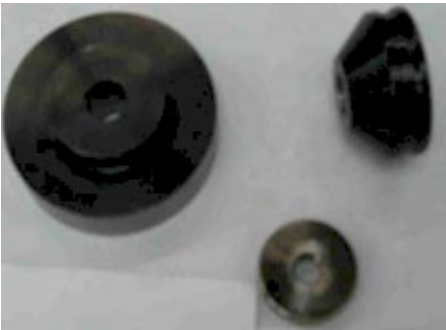
EAA0277D05A Scooter Wheels



EAA0260D80A Basic Adapter



EAA0277D16A BMW Mono-lever Wheels



EAA0277D20A Ducati Wheels



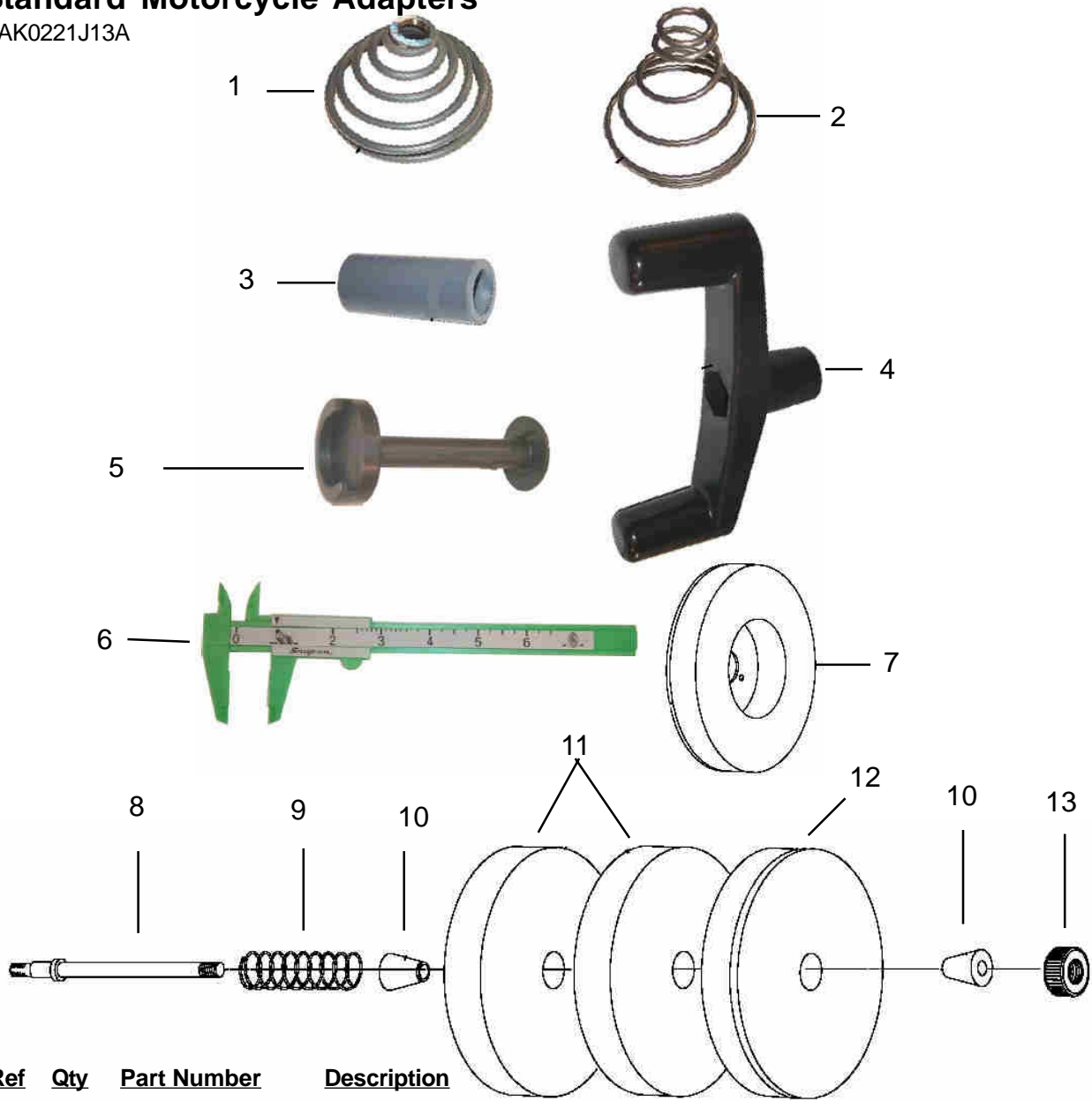
EAA0277D09A Honda or Yamaha rear Mono-lever wheels



EAA0277D11A Aprilia Rear Mono-lever

# Standard Motorcycle Adapters

EAK0221J13A



Ref	Qty	Part Number	Description
1	1	1412	Spring
2	1	3607-01	Spring
3	1	3609-01	Spacer - M/C shaft
4	1	7607	Spin Hand Crank handle
5	1	EAM0006G16A	Bolt - Crank handle (Not Shown)
6	1	EAM0005D62A	Extension Guage
7	1	8430-02	Caliper M/C
8	1	EAA0255J43A	Flange
9	1	EAM0003J33A	Shaft 14mm
10	1	1401	Spring
10	2	1387	Cone
11	2	1389-01	Pressure Disc
12	1	1389-02	Pressure Disc
13	1	1388	Ring Nut

Items 8 thru 13 EAK0221J15A Motorcycle adapter kit

## PARTS IN ALPHABETICAL ORDER

Description	Part Number
10mm Shaft Adapter	EAA0277D03A
Adapter - AC 120Vac - 9Vac, 1.9a	7-14201A
Aprilia Rear Mono-lever	EAA0277D11A
Arm - Sape	EAC0053J03A
Ball, Steel	8-1144
Basic Adapter	EAA0260D80A
BMW Mono-lever Wheels	EAA0277D16A
Bolt - Crank handle (Not Shown)	EAM0006G16A
Brake Lever	EAA0260D11A
Brake Pedal Assy	EAA0263G06A
Brake Ring	EAM0005D06A
Brake Solenoid	1575
Brake Spacer	EAC0053J15A
Bushing - Inside Sape	EAM0005D39A
Busing - Outside Sape	EAM0005D38A
Cabinet Weldment - S1a	EAS2027G00A
Cable - Brake S1	EAA0260D58A
Cable Assy - Internal	EAW0240G08A
Caliper - Rim Width	EAA0247G21A
Caliper M/C	8430-02
Cone	1387
Cone, 43-72 mm (1.69 - 2.84 inches)	EAM0003J10A
Cone, 68-85 mm (2.67 - 3.35 inches)	EAM0003J11A
Cone, 82-99 mm (3.23 - 3.90 inches)	EAM0003J12A
Cone, 89-132 mm (3.50 - 5.20 inches)	EAM0003J13A
Cup - Pressure	8 - 02040A2
Disk - Pressure	8 - 02040A1
Disk Touching	EAC0058D11A
Display Assembly - Snap-on Handspin	EAA0255J07A
Ducati Wheels	EAA0277D20A
Encoder PCB	EAA0260D09A
Extended Shaft Adapter	EAA0277D29A
Extension Guage	EAM0005D62A
Flange	EAA0255J43A
Flange - Cover, Hook	EAC0060G02A
Fuse, 1.6 Amp	2-13851
Harley Davidson wheels	EAA0277D22A
Hex Nut	1-11633
Honda or Yamaha rear Mono-lever wheels	EAA0277D09A
Hook - Storage	EAM0006G01A
Knob - Black, D Shaft	1591-01
Label - Attention - Brake Pedal	EAL0341J36A
Label - Warn.patent	EAL0343J53A
Label - Warning, Moving Comp	EAL0341J09A
Label - Warning, Safety Goggles	EAL0341J08A
Lit Pack - EEWB305A	ZEEWB305A9
Measure Tape - 1D Sape	EAL0345D01A
Motorcycle adapter kit	EAK0221J15A
Nut - ESNA, M8	1-10033
Nut - Hex M 10 X 1 DIN 439	1-4034
Nut - Keps, M3 - .5	1-15033
Nut - Tinnerman, 1/4 - 20 Type J	1-6739
Nut-Hex M 10 X 1 DIN 934	1-11833
Nutsert - M - 6	1-17559A

<b>Description</b>	<b>Part Number</b>
Nutsert - M10	1-17659A
Panel - Cover, Elec Access Hole	EAS2021J04A
Panel - Cover, Wheel Access Hole	EAS2021J05A
PCB Assembly - Display	EAP0192P40A
PCB Assembly - Power Interface	EAP0192P30A
PCB Assembly - Processor	EAP0201D00C
Pedal - Brake, Chamfered	EAS2027G31A
Pin - Push In, Nylon, .17 X 1.06	8-1940
Plug - Hole 16mm	8-7216
Plug - Hole 2"Dia Black	1-2676
Plug - Hole, Plastic 1.5"	1-3176
Pressure Disc	1389-01
Pressure Disc	1389-02
Pretension Spring	1-2967
Protective Ring	00110410000
Quick Nut	8 - 02040A
Rear Scooter Wheels	EAA0277D06A
Reel - Guiding Sape	EAM0005D35A
Reel - Rope 290mm	EAC0058D06A
Ribbon Cable Vibratory	EAW0239D00A
Ring - Snap, .93 X .044	1-13877A
Ring Nut	1388
Rivet - Pop	1-7558
Rod - Sape, S1	EAM0005D36A
Rope - Hemingway Dyneema, Typ40	6-00404A
Rotative Transducer - 10ohm Asy	EAA0266D20A
Scooter Wheels	EAA0277D05A
Screw - 5.0 X 40mm, Self Tap	1-3624
Screw - BHCS - 1/4 - 20x7/8	1-44009A
Screw - M4 X 16 - 8.8 - A2j Din 912	1-13609
Screw - M5 X 10, Thread Forming	1-3724
Screw - M6 X 12mm Pan Hd	1-3824
Screw - PHMS, M3 - .25mm	1-31106A
Screw - SHCS - M6 X 16mm 8.8	1-16309
Screw Hex Socket / Countersunk M 4 X 25	1-17403
Screw Hex Socket / Countersunk M 4 X 65	1-19903A
Screw Phillip Pan HD M 4 X 6	1-13004
Setscrew - Hex Socket M 10 X 1	EAM0005D07A
Shaft 14mm	EAM0003J33A
SHCS - M8 X 45	1-18209
Sleeve - Compression, Oval	2-07557A
Snap Ring	1-13077
Spacer - Brake Cable	EAM0006G00A
Spacer - 1/4" X 3/4"	1-10962A
Spacer - 1/4" X 3/8"	1-11062A
Spacer - M/C shaft	3609-01
Spin Hand Crank handle	7607
Spring	1401
Spring	1412
Spring	3607-01
Spring - Compression 5 X 63 X 120	1-6498
Spring Case Deep Draw	EAS2025D14A
Spring Centering Ring	EAC0058D03A
Spring Compression	1-6668
Spring Compression, D187	1-06768A
Strap - 1/4" Velcro (blk) Loop	5 - 8426A2

<b>Description</b>	<b>Part Number</b>
Strap -1/4" Velcro (blk) Hook	5-8426A1
Stub Shaft	EAM0005D14A
Support - Brake Pedal	EAS2027G18A
Suzuki, NTV, and Moto Guzzi V11 wheels	EAA0277D07A
Switch - Membrane, with Sheet Metal Back	EAA0255J00A
Tension Spring 1D - Sape	1-03267A
Terminal - Lug, Pop Rivet	2-23201
Transducer	EAA0260D59A
Tray - Weight, Snap-on Handspin	EAC0053J00A
Vibratory Ass'y, SOT Handspin	EAA0260D01A
Washer - Plain, M8 Din 125 A	1-10041
Washer - 6mm Sp - Ext	1-1548
Washer - Flat Nylon Blk	1-13044A
Weight - Calibration	EAM0005D40A
Wire Assembly - Grd	EAW0233J00A
Wrench - Fork, 19mm	8 - 01050A

## PARTS IN NUMERICAL ORDER

Part Number	Description
00110410000	Protective Ring
1-03267A	Tension Spring 1D - Sape
1-06768A	Spring Compression, D187
1-10033	Nut - ESNA, M8
1-10041	Washer - Plain, M8 Din 125 A
1-10962A	Spacer - 1/4" X 3/4"
1-11062A	Spacer - 1/4" X 3/8"
1-11633	Hex Nut
1-11833	Nut-Hex M 10 X 1 DIN 934
1-13004	Screw Phillip Pan HD M 4 X 6
1-13044A	Washer - Flat Nylon Blk
1-13077	Snap Ring
1-13609	Screw - M4 X 16 - 8.8 - A2j Din 912
1-13877A	Ring - Snap, .93 X .044
1-15033	Nut - Keps, M3 - .5
1-1548	Washer - 6mm Sp - Ext
1-16309	Screw - SHCS - M6 X 16mm 8.8
1-17403	Screw Hex Socket / Countersunk M 4 X 25
1-17559A	Nutsert - M - 6
1-17659A	Nutsert - M10
1-18209	SHCS - M8 X 45
1-19903A	Screw Hex Socket / Countersunk M 4 X 65
1-2676	Plug - Hole 2"Dia Black
1-2967	Pretension Spring
1-31106A	Screw - PHMS, M3 - .25mm
1-3176	Plug - Hole, Plastic 1.5"
1-3624	Screw - 5.0 X 40mm, Self Tap
1-3724	Screw - M5 X 10, Thread Forming
1-3824	Screw - M6 X 12mm Pan Hd
1387	Cone
1388	Ring Nut
1389-01	Pressure Disc
1389-02	Pressure Disc
1401	Spring
1-4034	Nut - Hex M 10 X 1 DIN 439
1412	Spring
1-44009A	Screw - BHCS - 1/4 - 20x7/8
1575	Brake Solenoid
1591-01	Knob - Black, D Shaft
1-6498	Spring - Compression 5 X 63 X 120
1-6668	Spring Compression
1-6739	Nut - Tinnerman, 1/4 - 20 Type J
1-7558	Rivet - Pop
2-07557A	Sleeve - Compression, Oval
2-13851	Fuse, 1.6 Amp
2-23201	Terminal - Lug, Pop Rivet
3607-01	Spring
3609-01	Spacer - M/C shaft
5 - 8426A2	Strap - 1/4" Velcro (blk) Loop
5-8426A1	Strap -1/4" Velcro (blk) Hook
6-00404A	Rope - Hemingway Dyneema, Typ40
7-14201A	Adapter - AC 120Vac - 9Vac, 1.9a
7607	Spin Hand Crank handle
8 - 01050A	Wrench - Fork, 19mm



Part Number	Description
8 - 02040A	Quick Nut
8 - 02040A1	Disk - Pressure
8 - 02040A2	Cup - Pressure
8-1144	Ball, Steel
8-1940	Pin - Push In, Nylon, .17 X 1.06
8430-02	Caliper M/C
8-7216	Plug - Hole 16mm
EAA0247G21A	Caliper - Rim Width
EAA0255J00A	Switch - Membrane, with Sheet Metal Back
EAA0255J07A	Display Assembly - Snap-on Handspin
EAA0255J43A	Flange
EAA0260D01A	Vibratory Ass'y, SOT Handspin
EAA0260D09A	Encoder PCB
EAA0260D11A	Brake Lever
EAA0260D58A	Cable - Brake S1
EAA0260D59A	Transducer
EAA0260D80A	Basic Adapter
EAA0263G06A	Brake Pedal Assy
EAA0266D20A	Rotative Transducer - 10ohm Asy
EAA0277D03A	10mm Shaft Adapter
EAA0277D05A	Scooter Wheels
EAA0277D06A	Rear Scooter Wheels
EAA0277D07A	Suzuki, NTV, and Moto Guzzi V11 wheels
EAA0277D09A	Honda or Yamaha rear Mono-lever wheels
EAA0277D11A	Aprilia Rear Mono-lever
EAA0277D16A	BMW Mono-lever Wheels
EAA0277D20A	Ducati Wheels
EAA0277D22A	Harley Davidson wheels
EAA0277D29A	Extended Shaft Adapter
EAC0053J00A	Tray - Weight, Snap-on Handspin
EAC0053J03A	Arm - Sape
EAC0053J15A	Brake Spacer
EAC0058D03A	Spring Centering Ring
EAC0058D06A	Reel - Rope 290mm
EAC0058D11A	Disk Touching
EAC0060G02A	Flange - Cover, Hook
EAK0221J15A	Motorcycle adapter kit
EAL0341J08A	Label - Warning, Safety Goggles
EAL0341J09A	Label - Warning, Moving Comp
EAL0341J36A	Label - Attention - Brake Pedal
EAL0343J53A	Label - Warn.patent
EAL0345D01A	Measure Tape - 1D Sape
EAM0003J10A	Cone, 43-72 mm (1.69 - 2.84 inches)
EAM0003J11A	Cone, 68-85 mm (2.67 - 3.35 inches)
EAM0003J12A	Cone, 82-99 mm (3.23 - 3.90 inches)
EAM0003J13A	Cone, 89-132 mm (3.50 - 5.20 inches)
EAM0003J33A	Shaft 14mm
EAM0005D06A	Brake Ring
EAM0005D07A	Setscrew - Hex Socket M 10 X 1
EAM0005D14A	Stub Shaft
EAM0005D35A	Reel - Guiding Sape
EAM0005D36A	Rod - Sape, S1
EAM0005D38A	Busing - Outside Sape
EAM0005D39A	Bushing - Inside Sape
EAM0005D40A	Weight - Calibration
EAM0005D62A	Extension Guage

<b>Part Number</b>	<b>Description</b>
EAM0006G00A	Spacer - Brake Cable
EAM0006G01A	Hook - Storage
EAM0006G16A	Bolt - Crank handle (Not Shown)
EAP0192P30A	PCB Assembly - Power Interface
EAP0192P40A	PCB Assembly - Display
EAP0201D00C	PCB Assembly - Processor
EAS2021J04A	Panel - Cover, Elec Access Hole
EAS2021J05A	Panel - Cover, Wheel Access Hole
EAS2025D14A	Spring Case Deep Draw
EAS2027G00A	Cabinet Weldment - S1a
EAS2027G18A	Support - Brake Pedal
EAS2027G31A	Pedal - Brake, Chamfered
EAW0233J00A	Wire Assembly - Grd
EAW0239D00A	Ribbon Cable Vibratory
EAW0240G08A	Cable Assy - Internal
ZEEWB305A9	Lit Pack - EEWB305A





Snap-on Incorporated  
2801 80th Street  
Kenosha, WI 53141 - 1410

For Service Call:  
1-800-225-5786

**Notice:** The information contained in this document is subject to change without notice. Snap-on Incorporated makes no warranty with regard to this material. Snap-on Incorporated shall not be liable for errors contained herein or for incidental consequential damages in connection with furnishings, performance, or use of this material.

This document contains proprietary information which is protected by copyright and patents. All rights are reserved. No part of this document may be photocopied, reproduced, or translated without prior written consent of Snap-on Incorporated.

**Snap-on** is a registered trademark of Snap-on Incorporated