

Snap-on[®]

EEWB304C



WHEEL BALANCER

Parts Manual

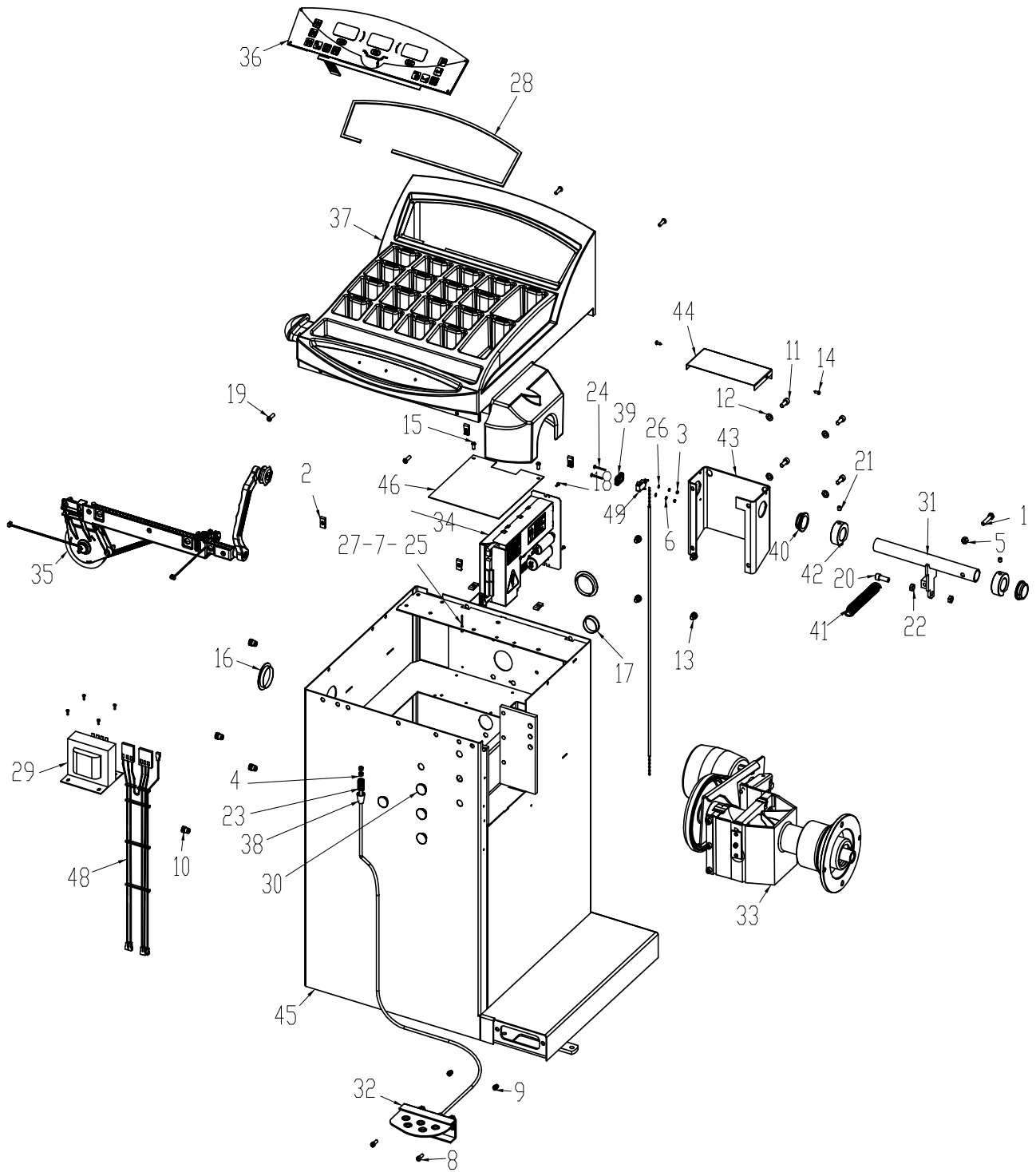
TEEWB304C3

All information contained or disclosed in this document is considered confidential and proprietary by Snap-on Equipment. All manufacturing, use, reproduction, and sales rights are reserved by Snap-on Equipment and the information contained herein shall not be used in whole or in part without the express written consent of Snap-on Equipment.

Table of Contents

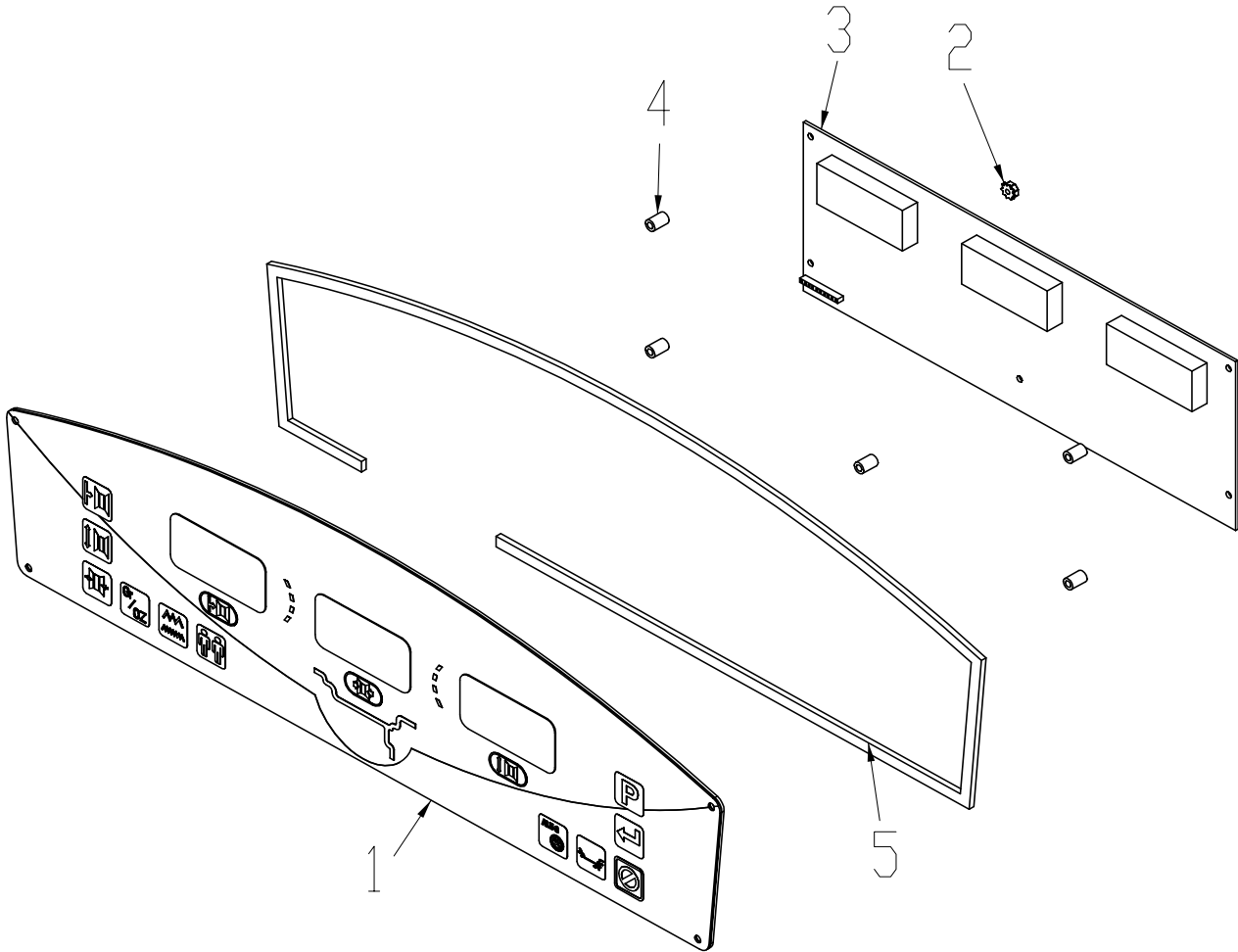
BALANCER ASSEMBLY	2
UPPER DISPLAY	4
2D SAPE ASSEMBLY	5
VIBRATORY ASSEMBLY	6
CONES AND ACCESSORIES.....	7

BALANCER ASSEMBLY
EAA0346J12A



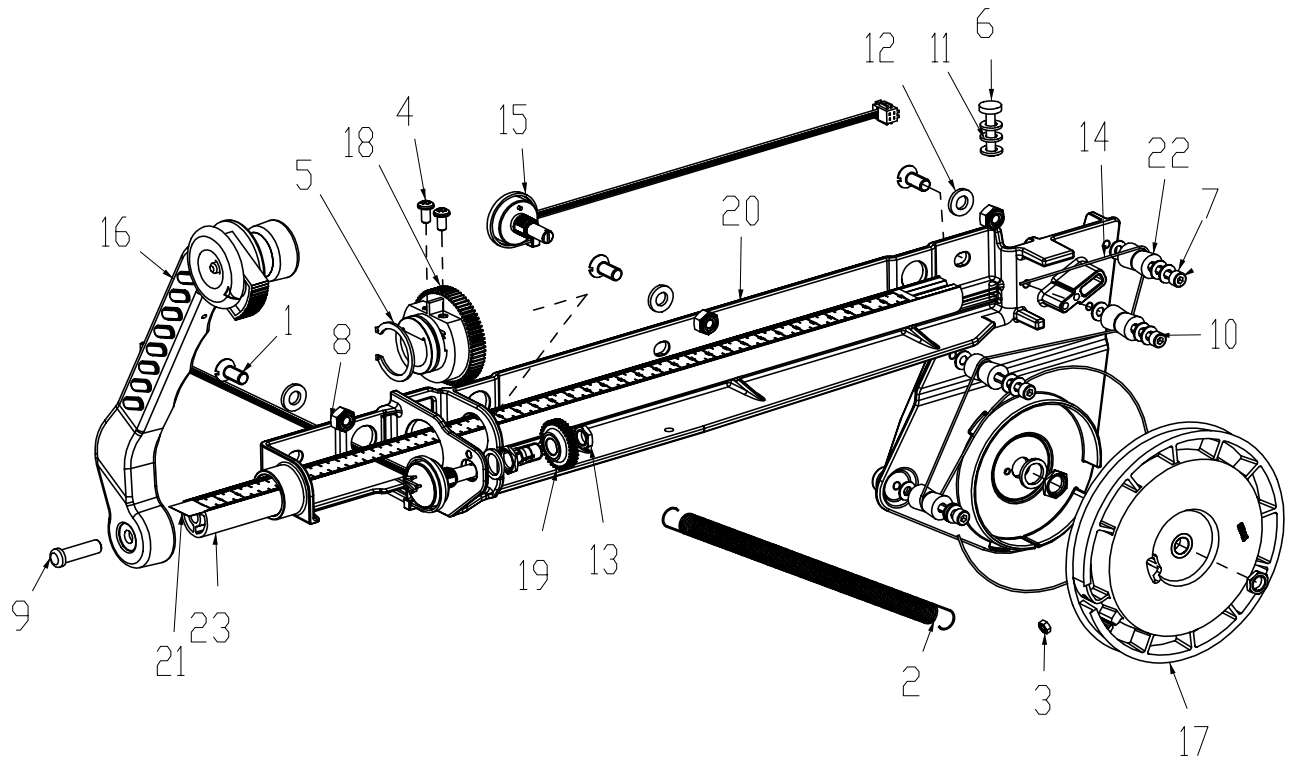
SYM	REQD	PART NO	DESCRIPTION
1	1	1-01515A	SCREW - HHMS 8M -1.25 X 50MM
2	6	1-07439A	NUT - SPEED, "U" TYPE,
3	2	1-11233	NUT - HEX, M3 DIN 934
4	2	1-11633	NUT-M6 X 5,2MMTHK, BLK
5	1	1-11833	NUT - M8 - X 1.25 DIN 934
6	2	1-1248	WASHER SHAKE PROOF, M3
7	1	1-1548	WASHER-EXT,SHAKEPROOF 6MM
8	2	1-16309	SCREW - SHCS, M6 X 16MM,
9	2	1-17559A	NUTSERT - M6
10	4	1-17659A	NUTSERT - M10
11	4	1-17709	SCREW - SHCS M8 X 20MM
12	4	1-17741	WASHER, 8MM DIN125A
13	4	1-18359A	NUTSERT, M8
14	2	1-20423	SCREW, SELF TAPPING M4.2 X 13MM
15	2	1-2509	SCREW-BHCS, 1/4 - 20 X 5/8
16	2	1-2676	PLUG-HOLE, 2"DIA
17	1	1-3176	PLUG,1.50DIA.
18	6	1-3724	SCREW-SELF TAP,5 X 10MM
19	4	1-44009A	SCREW-BHCS, 1/4-20 X 7/8
20	1	1-47809A	SCREW - SHCS 3/8-16 X 1
21	2	1-47810	SCREW, SET, FLT PT M8 - 1.25 X 8MM
22	2	1-5733A	NUT-HEX,3/8
23	1	1-6668	COMPRESSION SPRING
24	2	1-7104	SCREW - PAN HS, M3 X 30
25	1	1-7558	POP RIVET-3/16"
26	2	1-9541	WASHER-FLAT,M3 DIN 125A
27	1	2-23201	TERMINAL LUG-6.3MM X .8MM POP RIVET
28	1	5-8426A2-02	STRAP-1/4" VELCRO (5-8426A2)
29	1	7-16201A	TRANSFORMER- 500VA AUTOMATIC
30	4	8-7216	PLUG-HOLE, 16MM DIA
31	1	EAA0255J29A	WHEELGUARD TUBE- M CABINET ASSY
32	1	EAA0263G07A	ASSY-BRAKE PEDAL
33	1	EAA0338G36A	VIBR. MOT. UL IF40/28.5
34	1	EAA0338G83B	ASSY - IBP DIGITAL BOX
35	1	EAA0346J25A	STAND. M1 SAPE 1D-2D ASSY
36	1	EAA0346J32A	ASSY - DISPLAY, SNAP-ON LOW DIG
37	1	EAC0053J01A	TRAY-WEIGHT,SO LOW DIG
38	1	EAC0053J15A	BRAKE SPACER
39	1	EAC0053J16A	MICROSWITCH PLATE
40	2	EAC0060G03A	BUSHING, WHEELGUARD
41	1	EAM0003J21A	SPRING-EXTENSION WHEELGUARD, HD
42	2	EAM0006G02A	WHEELGUARD TUBE RING
43	1	EAS2021J43A	BACKPACK- M CABINET BASE
44	1	EAS2021J44A	BACKPACK- M CABINET TOP
45	1	EAS2081J96A	CABINET - M1 RED SPRAYED
46	1	EAS2103J17A	SHEET - FIRESHIELD
47	1	EAW0233J01A	HARNESS - DISPLAY PCB
48	1	EAW0233J07A	HARNESS-WIRING, TRANSFORMER
49	1	EAW0233J08A	CABLE-SWITCH ASSY

UPPER DISPLAY
EAA0346J32A



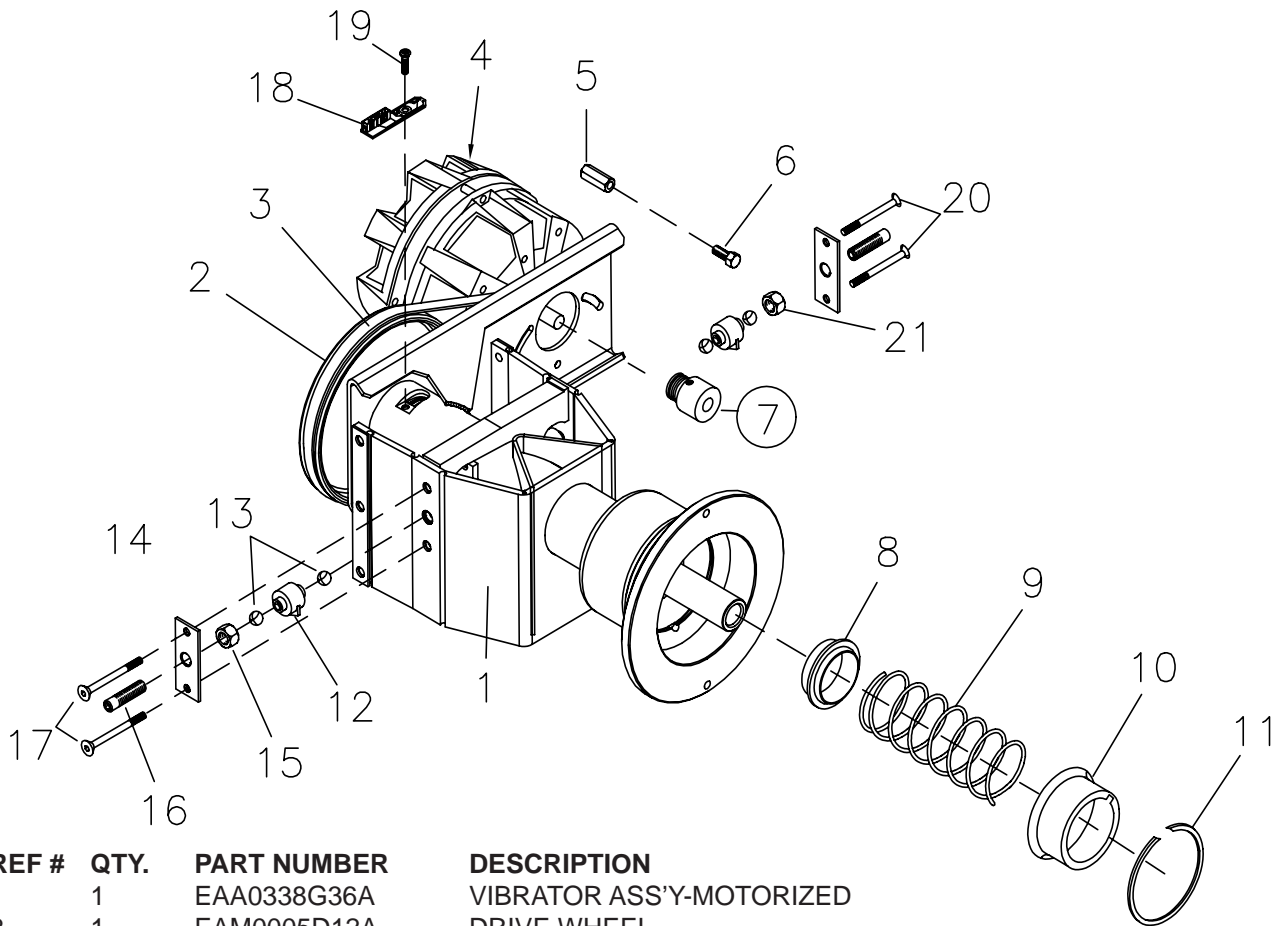
SYM	REQD	PART NO	DESCRIPTION
1	1	EAA0346J18A	ASSY -DISPLAY, MEMBRANE/PANEL
2	5	1-15033	NUT-KEPS, M3 - .5
3	1	EAP0192P80A	PCB ASS'Y-DISPLAY, JB VPI SYS III
4	5	1-11062A	SPACER- 1/4" X 3/8"
5	1	5-8426A1	STRAP-1/4" VELCRO (5-8426A1)

2D SAPE ASSEMBLY
EAA0346J25A



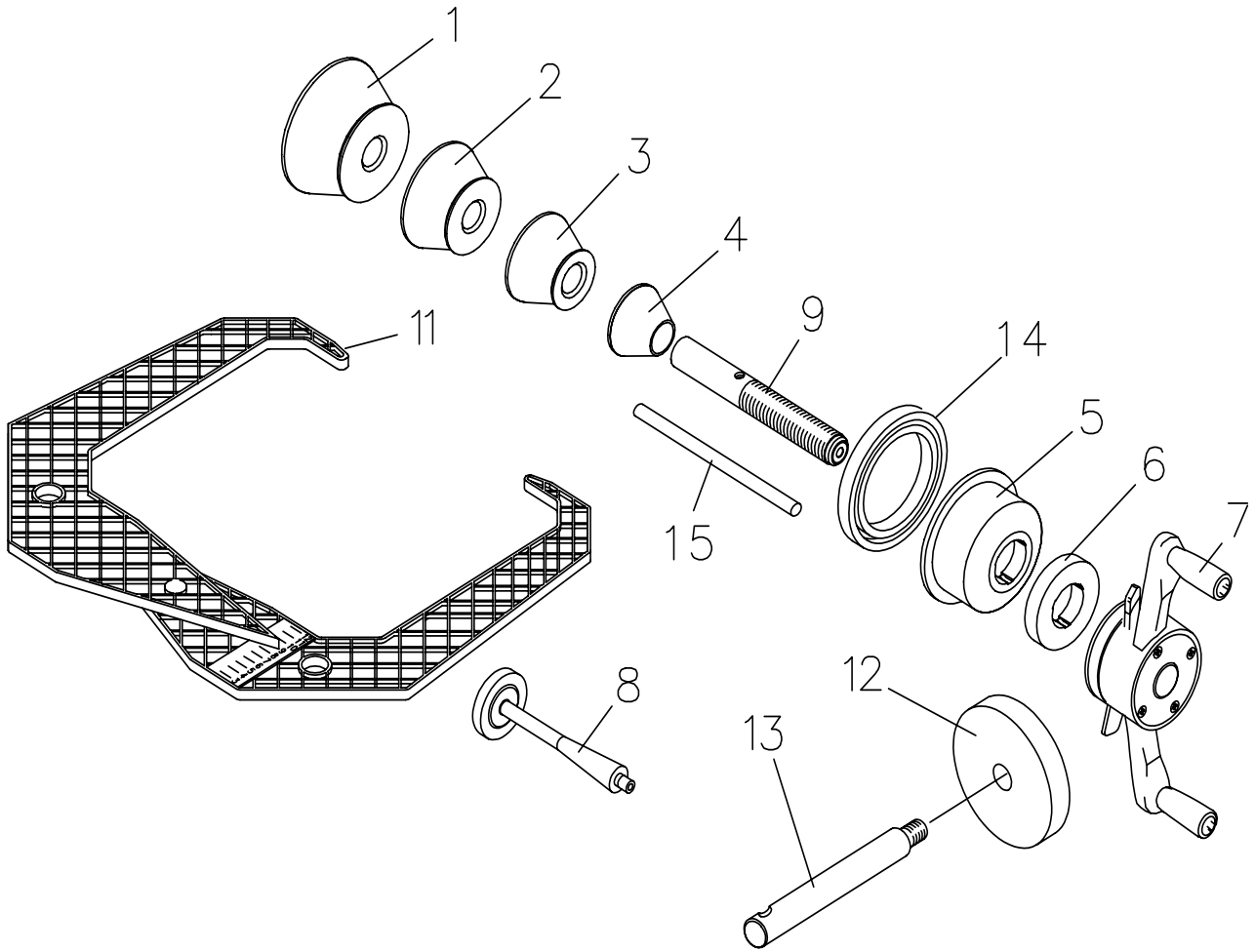
SYM	REQD	PART NO	DESCRIPTION
1	3	1-03405A	MSCR, OVAL HD M 6 X 14MM
2	1	1-06567A	STAND SAPE TENSION SPRING
3	1	1-11233	NUT - HEX, M3 DIN 934
4	2	1-11726A	SCREW, SELF TAPPING FOR PLASTIC
5	1	1-13377A	CIRCLIP-27MM X 1.20MM DIN 471
6	1	1-13609	SCREW-HHCS,M4-16 X 8.8
7	4	1-13909	SCR - HEX SKT HD CAP (M4 X 30MM)DIN912
8	3	1-16633A	NUT,SELF LOCK. ALL-METAL M6 A2J
9	1	1-3824	SCREW-SELF TAP,6 X 12MM
10	12	1-9641	PLAIN WASHER D4MM
11	3	1-9741	WASHER-FLAT, M5 X 10.0OD X 1MM THK
12	3	1-9841	WASHER PLAIN, 6MM
13	2	2-07657A	CLAMPING DEVICE W/NUT
14	1	6-00504A	ROPE HEMINGWAY
15	2	EAA0266D20A	ROTATIVE TRANSDUCER 100HM
16	1	EAA0346J26A	ASSY - SAPE ARM W/ EJECTOR
17	1	EAC0058D06A	RIEMENHALTEROLLE MIT EINLEGETEIL
18	1	EAC0058D12A	COG WHEEL - 56 TOOTH
19	1	EAC0058D13A	COG WHEEL 28 TEETH
20	1	EAC0087G60A	M1 SAPE SUPPORT
21	1	EAL0349G31A	DISTANCE SCALE
22	4	EAM0005D35A	REEL-GUIDING,SAPE
23	1	EAM0053G19A	STANDARD. ROD SAPE, M1

VIBRATORY ASSEMBLY
EAA0338G36A



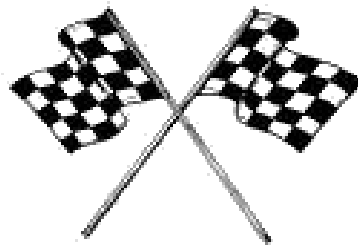
REF #	QTY.	PART NUMBER	DESCRIPTION
1	1	EAA0338G36A	VIBRATOR ASS'Y-MOTORIZED
2	1	EAM0005D12A	DRIVE WHEEL
3	1	8-3531	MULTIRIB BELT 5 PJ 711 DIN 7867
4	1	EAA0266D29A	MOTOR, AC 120W 1 PH 220-240V - 50/60 HZ
5	2	EAM0005D09A	MOTOR DISTANCE BOLT
6	1	1-30701	SCREW HEX HD M 6 X 12
7	1	EAM0005D08A	MOTOR PULLEY
8	1	EAC0058D03A	SPRING CENTERING RING
9	1	1-6498	SPRING - COMPRESSION 5 X 63 X 120
10	1	EAS2025D14A	SPRING CASE DEEP DRAW
11	1	1-13077	SNAP RING
12	1	EAA0260D59A	TRANSDUCER
13	4	8-1144	BALL, STEEL
14	2	1-2967	PRETENSION SPRING
15	1	1-11833	NUT-HEX M 10 X 1 DIN 934
16	2	EAM0005D07A	SETSCREW - HEX SOCKET M 10 X 1
17	2	1-19903A	SCREW HEX SOCKET / COUNTERSUNK M 4 X 65
18	1	EAA0344G00A	ENCODER PCB
19	1	1-13004	SCREW PHILLIP PAN HD M 4 X 6
20	2	1-17403	SCREW HEX SOCKET / COUNTERSUNK M 4 X 25
21	1	1-4034	NUT - HEX M 10 X 1 DIN 439
*	1	EAW0239D00A	RIBBON CABLE VIBRATORY
**	1	EAA0260D56A	BRAKE LEVER A CPL.
**	1	EAA0260D57A	BRAKE LEVER B CPL.

CONES AND ACCESSORIES



ITEM	QTY	PART NUMBER	DESCRIPTION
1	1	EAM0003J08A	CONE, 89-132 MM (3.50 - 5.20 INCHES)
2	1	EAM0003J07A	CONE, 71 - 99 MM (3.23 - 3.90 INCHES)
3	1	EAM0003J06A	CONE, 56 - 84 MM (2.67 - 3.35 INCHES)
4	1	EAM0003J05A	CONE, 43 -63 MM (1.66 - 2.50 INCHES)
5	1	EAC0058D07A	CUP - PRESSURE
6	1	EAC0058D08A	DISK - PRESSURE
7	1	EAA0263G66A	QUICK NUT
8	1	EAM0005D40A	WEIGHT - CALIBRATION
9	1	EAM0021D90A	40 MM STUB SHAFT
11	1	EAA0247G21A	CALIPER - RIM WIDTH
12	4	EAC0060G02A	FLANGE - COVER, HOOK
13	4	EAM0006G01A	HOOK - STORAGE
14	1	EAC9958D15A	RUBBER PROTECTOR
15	1	EAM0005D34A	FASTENING ROD

Snap-on



Notice: The information contained in this document is subject to change without notice. Snapon Equipment makes no warranty with regard to this material. Snapon Equipment shall not be liable for errors contained herein or for incidental consequential damages in connection with furnishings, performance, or use of this material.

This document contains proprietary information which is protected by copyright and patents. All rights are reserved. No part of this document may be photocopied, reproduced, or translated without prior written consent