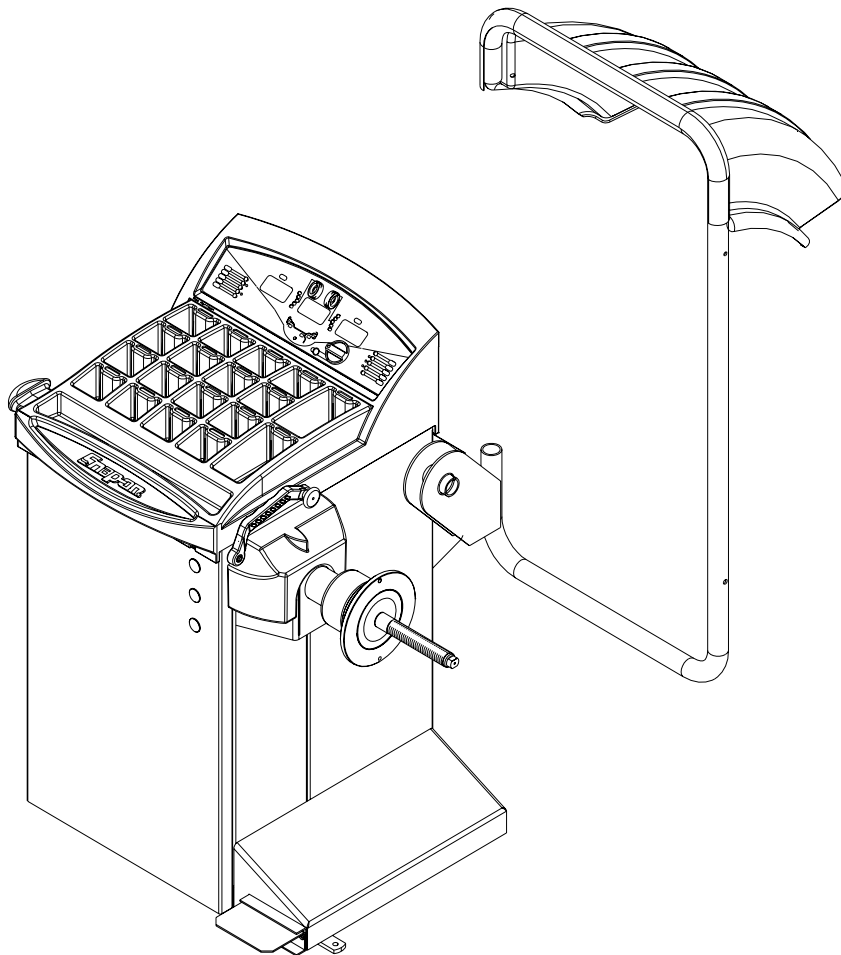




EEWB304B

Electronic Motorized Wheel Balancer

---



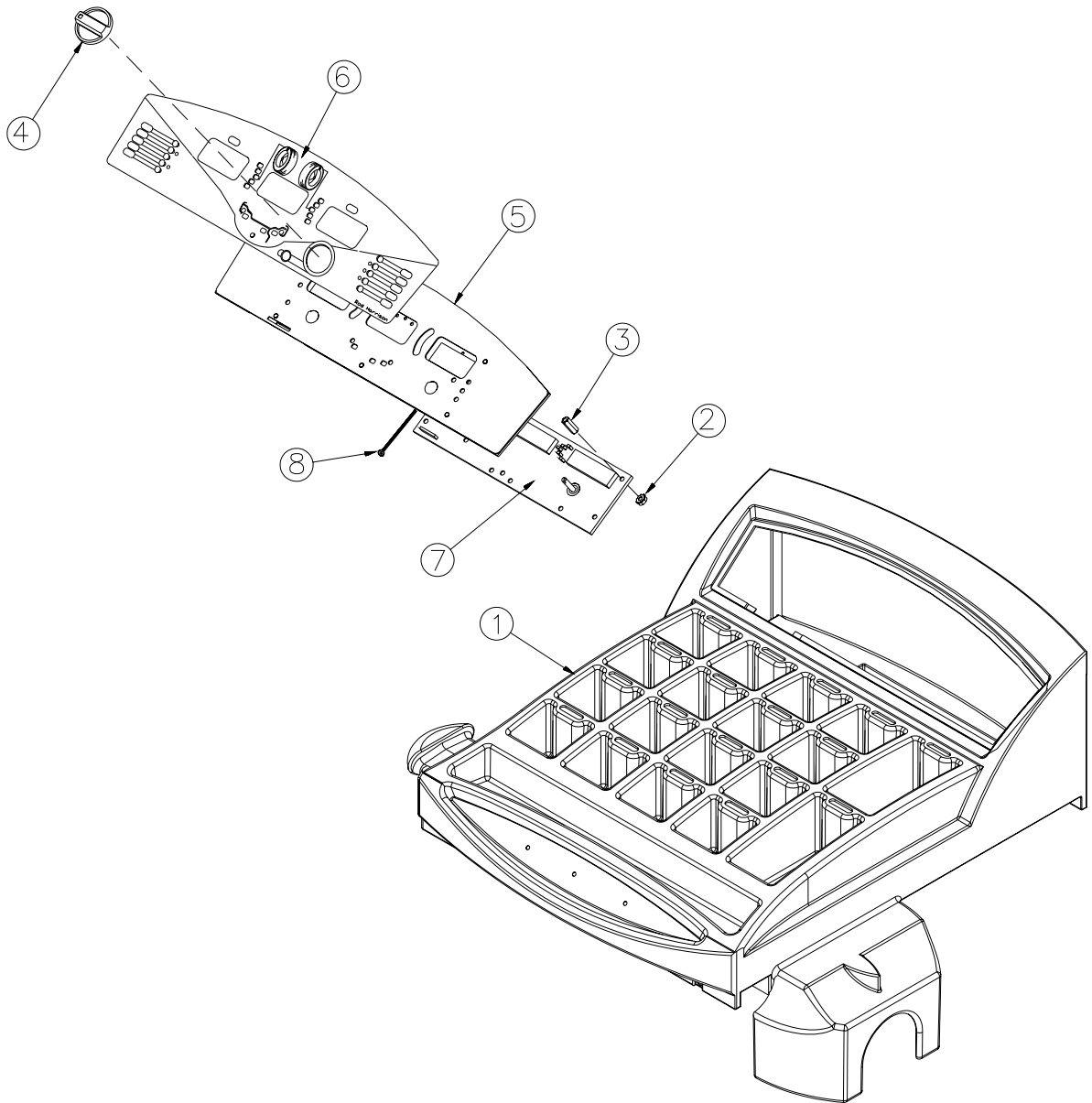
## Parts Reference

---

TEEWB304B3

All information contained or disclosed in this document is considered confidential and proprietary by Snap-on Tools Company. All manufacturing, use, reproduction, and sales rights are reserved by Snap-on Tools Company and the information contained herein shall not be used in whole or in part without the express written consent of Snap-on Tools Company.

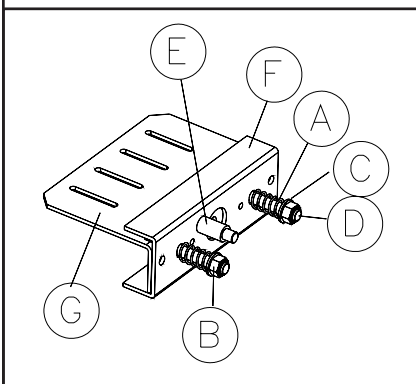
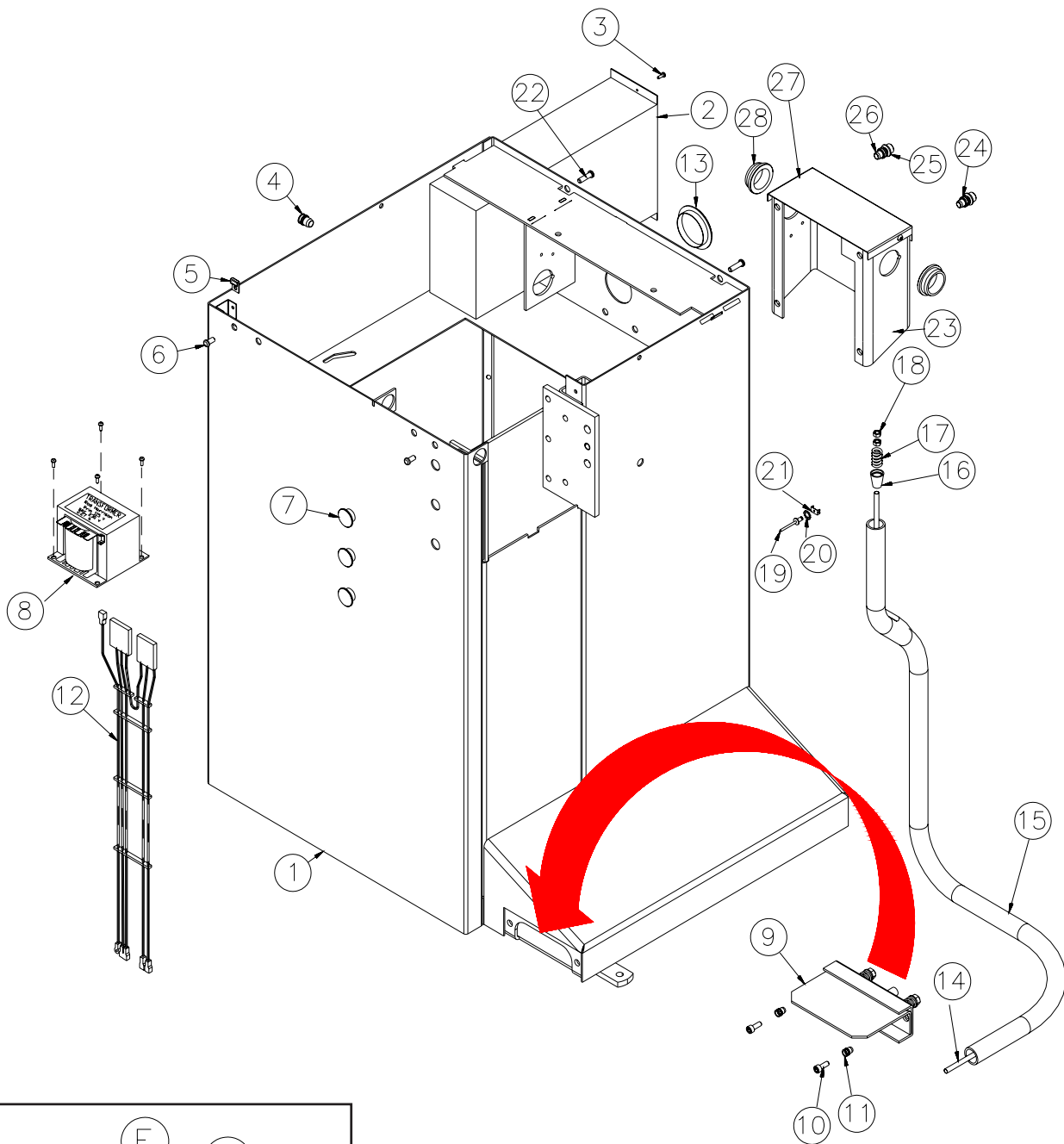
## DISPLAY, TOUCH PANEL AND WEIGHT TRAY ASSEMBLY



<u>Ref #</u>	<u>Qty Req.</u>	<u>Part Number</u>	<u>Description</u>
1	1	EAC0053J01A	Weight Tray Low Digital
2	5	1 - 15033	Nut - Keps, M3 - .5
3	5	1 - 8261	Standoff - Hex, M3 - .5x10mm, Thdm/F
*	5	1 - 1248	Washer - Ext, Shakeproof, M3
4	1	1591 - 01	Knob - Black, D Shaft
5	2	5 - 8426A1	.700 Ft Strap - Velcro, 1/4", Hook, Black
6	1	EAA0255J09A	Membrane Switch - So Low Dig
7	1	EAP0192P60A	PCB Assy - Display, So Low Dig
8	1	EAW0233J00A	Wire Assembly - GND
*	1	EAW0233J01A	Harness-Display PCB

# LOWER CABINET ASSEMBLY

Includes Power Supply / Brake



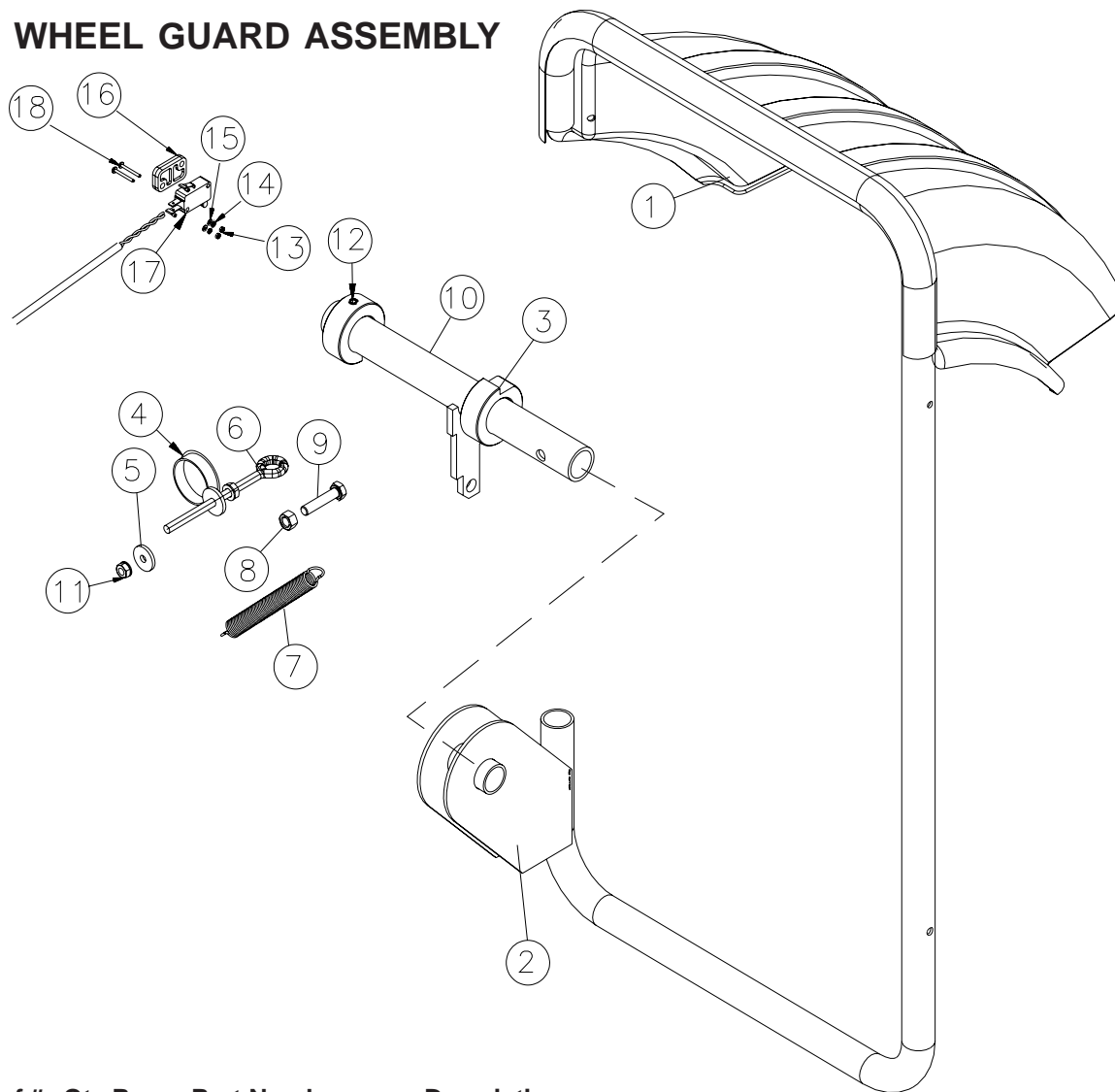
# LOWER CABINET ASSEMBLY

Includes Power Supply / Brake

<u>Ref #</u>	<u>Qty Req.</u>	<u>Part Number</u>	<u>Description</u>
1	1	EAS2027G63A	Weldment-wheelguard, M1
2	1	<b>EAA0338G83B</b>	<b>Digital Box Assy' IBP</b>
		2-01429A	CAPACITOR-10UF 400V
		2-01529A	CAPACITOR-20UF 400V
		2-13258A	SWITCH-ROCKER BLK
		2-21251A	FUSE-6.3 AMP 250 VAC
		2-57248A	POWER ENTRY MOD W/FUSE HOLDER
		8-23562A	LABEL-WARNING
		8-23762A	LABEL-EARTH SYMBOL
		00111245000	LABEL-CAUTION ELECT
		EAC0087G52A	COVER-MEMORY SLOT 0031803
		EAL0341J07A	LABEL-WARNING DISCONNECT POWER
		EAL0349G44A	DECAL-FUSES
		EAP0167G30A	PCB-BALANCER MOTORIZED
		EAW0239D05A	CABLE-GROUNDING
		6-10918	WIRE-14 AWG GREEN
		EAW0240G79A	CORD-MAIN
		6-03921A	CABLE-3 COND.
3	6	1-3724	Screw - Self Tap,5 X 10mm
4	4	1-17659A	Nutsert - M10
5	4	1-6739	Nut - Tinnerman,1/4-20,J-type
6	4	1-44009A	Screw - BHCS - 1/4 - 20x7/8
7	6	8-7216	Plug - Hole,16mm
8	1	7-15601A	Transformer 115v - 230v, 500va
9	1	EAA0263G07A	Brake Pedal Ass'y
A	2	1-6668	Compression Spring
B	2	1-11633	Hex Nut
C	2	1-10041	Washer, Plain M8
D	2	1-18209	Screw, Hex Head Socket - M8 X 45
E	2	EAM0005D18A	Spacer
F	1	EAS2027G18A	Brake Pedal Support Bracket
G	1	EAS2027G31A	Chamfered Brake Pedal
10	2	1-16309	Screw - Hex Hd Cap, M6 X 16 8.8
11	2	1-17559A	Nutsert - M6
12	1	EAW0233J07A	Harness - Wiring, Transformer
13	1	EAS2027G36A	Sheet - Support,Tube
14	1	EAA0260D58A	Cable - Brake, S1
15	1	8-634-01	Protective Pipe For Cables
16	1	EAC0053J15A	Brake Spacer
17	1	1-6668	Compression Spring
18	2	1-11633	Nut - Hex
19	2	1-7558	Pop Rivet - 3/16"
20	1	1-1548	Washer - Ext,Shakeproof 6mm
21	1	2-23201	Terminal Lug-6.3mmx8mm,Pop Riv
22	4	1-44009A	Screw - BHCS - 1/4 - 20x7/8
23	1	EAS2021J43A	Back Pack - M Cabinet Base
24	4	1-18359A	Nutsert - M8 X 1.25
25	4	1-17741	Washer - 8mm
26	4	1-17709	Bolt - M8 X 1.29 X 20mm
27	1	EAS2021J44A	Back Pack - M Cabinet Top
28	2	EAC0060G03A	Bushing, Wheelguard Tube

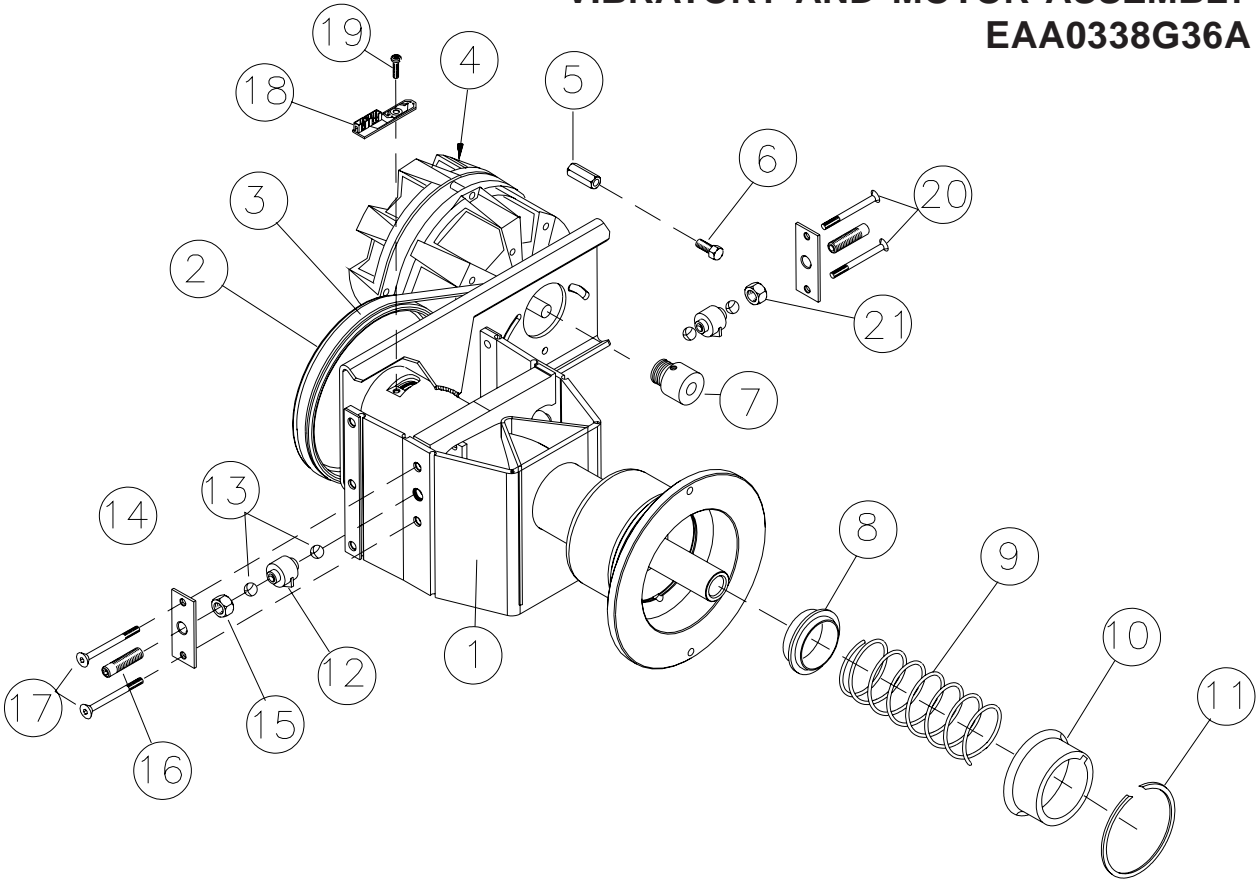
\* **ELECTRONIC BOX COMPONENTS SHADED**

## WHEEL GUARD ASSEMBLY



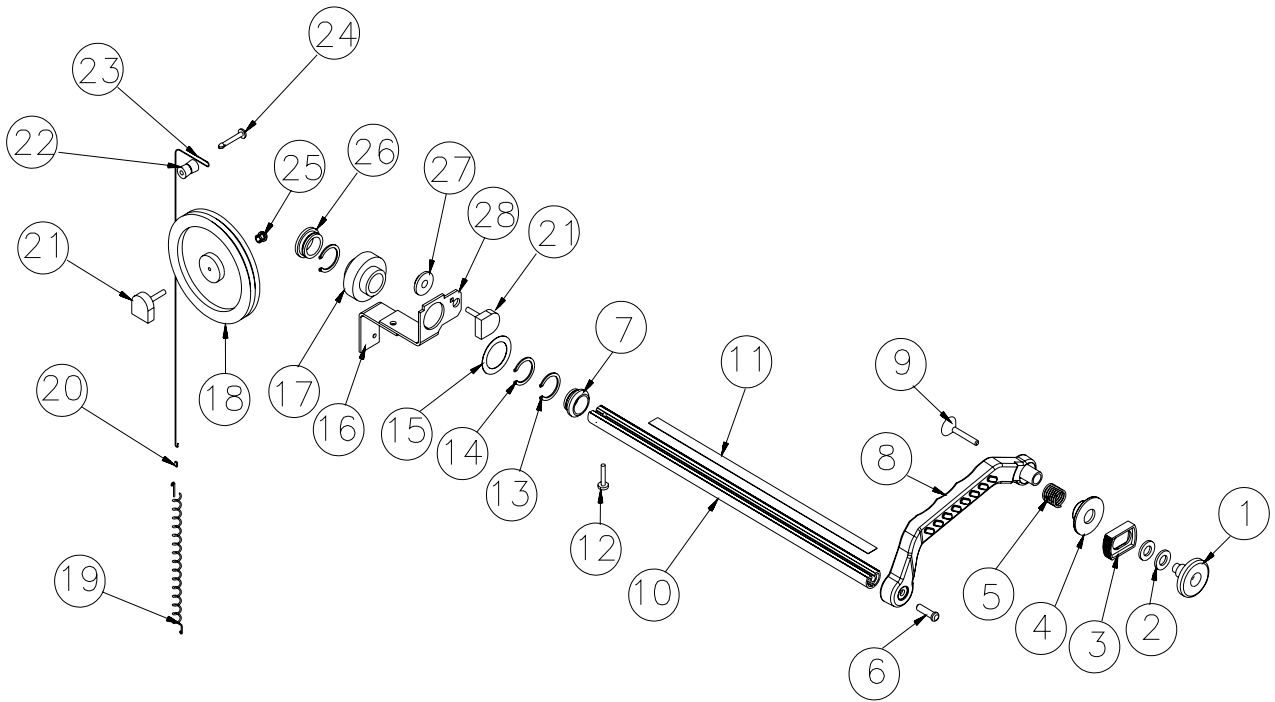
<u>Ref #</u>	<u>Qty Req.</u>	<u>Part Number</u>	<u>Description</u>
1	1	EAC0053J10A	Cover-wheelguard, Y2k
2	1	EAS2021J15A	Weldment-wheelguard, M1
3	2	EAM0006G02A	Wheelguard Tube Ring Nut
4	1	1-3176	Plug - hole, Plastic 1.5"
5	1	1-16941	Washer, Plain 10mm
6	2	1-7433	Nut - Kep Hex 1/4 X 20
7	1	EAM0003J18A	Spring - Extension Wheelguard
8	1	1-11833	Nut M8, Steel
9	1	1-01515A	Screw - HHMS 8m - 1.25 X 50mm
10	1	EAA0255J29A	Tube - Wheelguard, M Cabinet Assy
11	2	1-7433	Nut - Kep Hex 1/4 X 20
12	2	1-47810	Screw, Set, M8 X 8mm Flat Pt
13	2	1-11233	Nut-hex, M3 Din 934
14	2	1-1248	Washer-ext, Shakeproof, M3
15	2	1-9541	Washer-flat, M3 Din 125a
16	1	EAC0053J16A	Micro Switch Plate
17	1	EAW0233J08A	Cable - Switch Assy
18	2	1-7104	Screw - Pan Hd, M3x30 Slotted

## VIBRATORY AND MOTOR ASSEMBLY EAA0338G36A



<u>Ref #</u>	<u>Qty Req.</u>	<u>Part Number</u>	<u>Description</u>
1	1	EAA0338G36A	Vibrator Ass'y-motorized
2	1	EAM0005D12A	Drive Wheel
3	1	8-3531	Multirib Belt 5 PJ 711 Din 7867
4	1	EAA0266D29A	Motor, AC 120w 1 Ph 220-240v - 50/60 Hz
5	2	EAM0005D09A	Motor Distance bolt
6	1	1-30701	Screw Hex HD M 6 X 12
7	1	EAM0005D08A	Motor Pulley
8	1	EAC0058D03A	Spring Centering Ring
9	1	1-6498	Spring - Compression 5 X 63 X 120
10	1	EAS2025D14A	Spring Case Deep Draw
11	1	1-13077	Snap Ring
12	1	EAA0260D59A	Transducer
13	4	8-1144	Ball, Steel
14	2	1-2967	Pretension Spring
15	1	1-11833	Nut-Hex M 10 X 1 DIN 934
16	2	EAM0005D07A	Setscrew - Hex Socket M 10 X 1
17	2	1-19903A	Screw Hex Socket / Countersunk M 4 X 65
18	1	EAA0260D09A	Encoder PCB
19	1	1-13004	Screw Phillip Pan HD M 4 X 6
20	2	1-17403	Screw Hex Socket / Countersunk M 4 X 25
21	1	1-4034	Nut - Hex M 10 X 1 DIN 439
*	1	EAW0239D00A	Ribbon Cable Vibratory
**	1	EAA0260D56A	Brake lever A cpl.
**	1	EAA0260D57A	Brake lever B cpl.

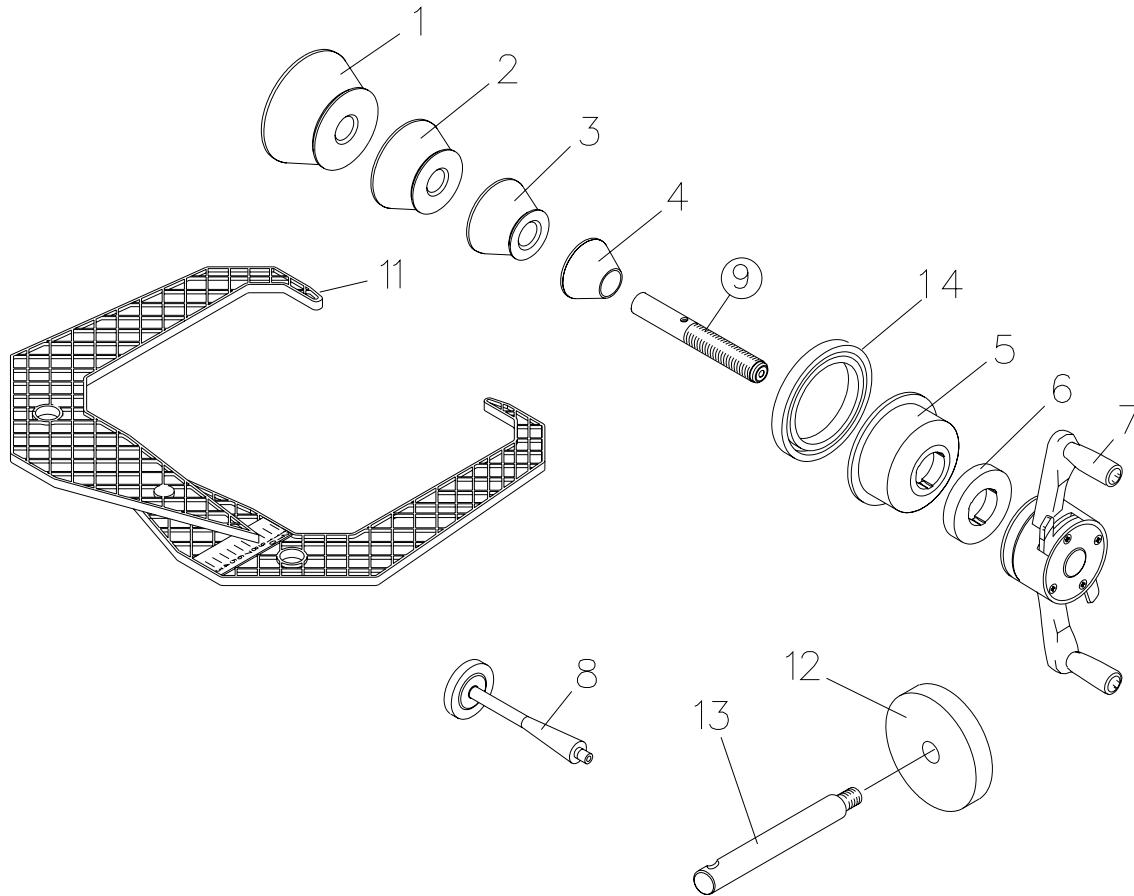
## 2D SAPE ASSEMBLY



<u>Ref #</u>	<u>Qty Req.</u>	<u>Part Number</u>	<u>Description</u>
1		EAC0058D11A	Disk - Touching
2	1	1-11841	Washer - Plain, M10.5 Din 125
3	1	EAC0058D09A	Ejector
4	1	EAC0053J06A	Adjuster - Arm, Sape
5	1	1-06868A	Spring - Comp D145e, Din 2098
6	1	1-3824	Screw - Self Tap, 6 X 12mm
7	1	EAM0005D38A	Bushing 1
8	1	EAC0053J03A	Arm-sape
9	1	1-3624	Screw - Fhms, 5x40mm, Self Tap
10	1	EAM0005D37A	Rod - M1
11	1	EAL0345D01A	Measure Tape - Sape
12	2	1-13609	Screw-shcs, M4-16 8.8
13	2	1-4577	Ring-snap, 25 X 1.20
14	1	1-13377A	Circlip - 27 X 1.20
15	1	1-07162A	Shim Ring - 28 X 40 X
16	1	EAS2021J32A	Angle - 2d Sape
17	1	EAC0058D12A	Cog Wheel - 56 Tooth
18	1	EAC0058D06A	Rope - Reel 290mm
19	1	1-03267A	Tension Spring - Sape
20	1	2-07557A	Sleeve - Compression, Oval
21	2	EAA0266D20A	Rotative Transducer - Assy
22	1	EAM0005D35A	Guiding Reel
23	2	6-00404A	.700 Ft Rope-hemingway Dyneema, Type 40
24	1	8-1940	Pin-pushin, Nylon, .165 X 1.062
25	2	2-07657A	Clamping Device With Nut
26	1	EAM0005D39A	Bushing 2
27	1	EAC0058D13A	Cog Wheel-28 Tooth
28	1	EAS2021J36A	Mounting Brkt 2D SAPE



## SHAFT ADAPTERS AND ACCESSORIES



<b>Ref #</b>	<b>Qty</b>	<b>Part Number</b>	<b>Description</b>
1	1	EAM0003J08A	Cone, 89-132 mm (3.50 - 5.20 inches)
2	1	EAM0003J07A	Cone, 71 - 99 mm (3.23 - 3.90 inches)
3	1	EAM0003J06A	Cone, 56 - 84 mm (2.67 - 3.35 inches)
4	1	EAM0003J05A	Cone, 43 - 63 mm (1.66 - 2.50 inches)
5	1	EAM0058D07A	Cup - Pressure
6	1	EAC0058D08A	Disk - Pressure
7	1	EAA0263G66A	Quick Nut
8	1	EAM0005D40A	Weight - Calibration
9	1	EAM0021D90A	40 mm Stub Shaft
11	1	EAA0247G21A	Caliper - Rim Width
12	4	EAC0060G02A	Flange - Cover, Hook
13	4	EAM0006G01A	Hook - Storage
*	1	ZEEWB304B9	LIT-PACK SO LOW DIG

# MOTORCYCLE ADAPTERS



EAA0277D29A Extended Shaft Adapter



EAA0277D03A 10mm Shaft Adapter



EAA0277D22A Harley Davidson wheels



EAA0277D07A Suzuki, NTV, and Moto Guzzi V11 wheels



EAA0277D06A Rear Scooter Wheels



EAA0277D05A Scooter Wheels



EAA0260D80A Basic Adapter



EAA0277D16A BMW Mono-lever Wheels



EAA0277D20A Ducati Wheels



EAA0277D09A Honda or Yamaha rear Mono-lever wheels



EAA0277D11A Aprilia Rear Mono-lever

## MISCELLANEOUS

EAL0341J08A	Label - Warning, Safety Goggles
EAL0341J09A	Label - Warning, Moving Comp
EAX0039J00A	Cord - Power, 115v
EAL0307L00A	Label - Canadian Certification
EAL0343J53A	Label - Warn.patent
EAL0341J36A	Label - Attention - Brake Pedal
EAL0341J38A	Label - Max Wheel - Dia
00111243000	Label - Warning, Explos.
EAL0341J01A	Label, Mod/Ser, S/O Low Dig
ZEEWB304A9	Lit Pack S/O Low Dig
KN300A	Decal - Logo, Snap - On
EAL0341J37A	Label - Fuse 5 Amp
8-23562A	Label - Warning
8-23762A	Label - Earth Symbol
00111243000	Label - Warning, Expl
00111245000	Label - Caution, Elect
EAL0341J07A	Label - Warning, Disconnect Power







Snap-on Incorporated  
2801 80th Street  
Kenosha, WI 53141 - 1410

For Service Call:  
1-800-225-5786

**Notice:** The information contained in this document is subject to change without notice. Snap-on Incorporated makes no warranty with regard to this material. Snap-on Incorporated shall not be liable for errors contained herein or for incidental consequential damages in connection with furnishings, performance, or use of this material.

This document contains proprietary information which is protected by copyright and patents. All rights are reserved. No part of this document may be photocopied, reproduced, or translated without prior written consent of Snap-on Incorporated.



is a registered trademark of Snap-on Technologies Inc.