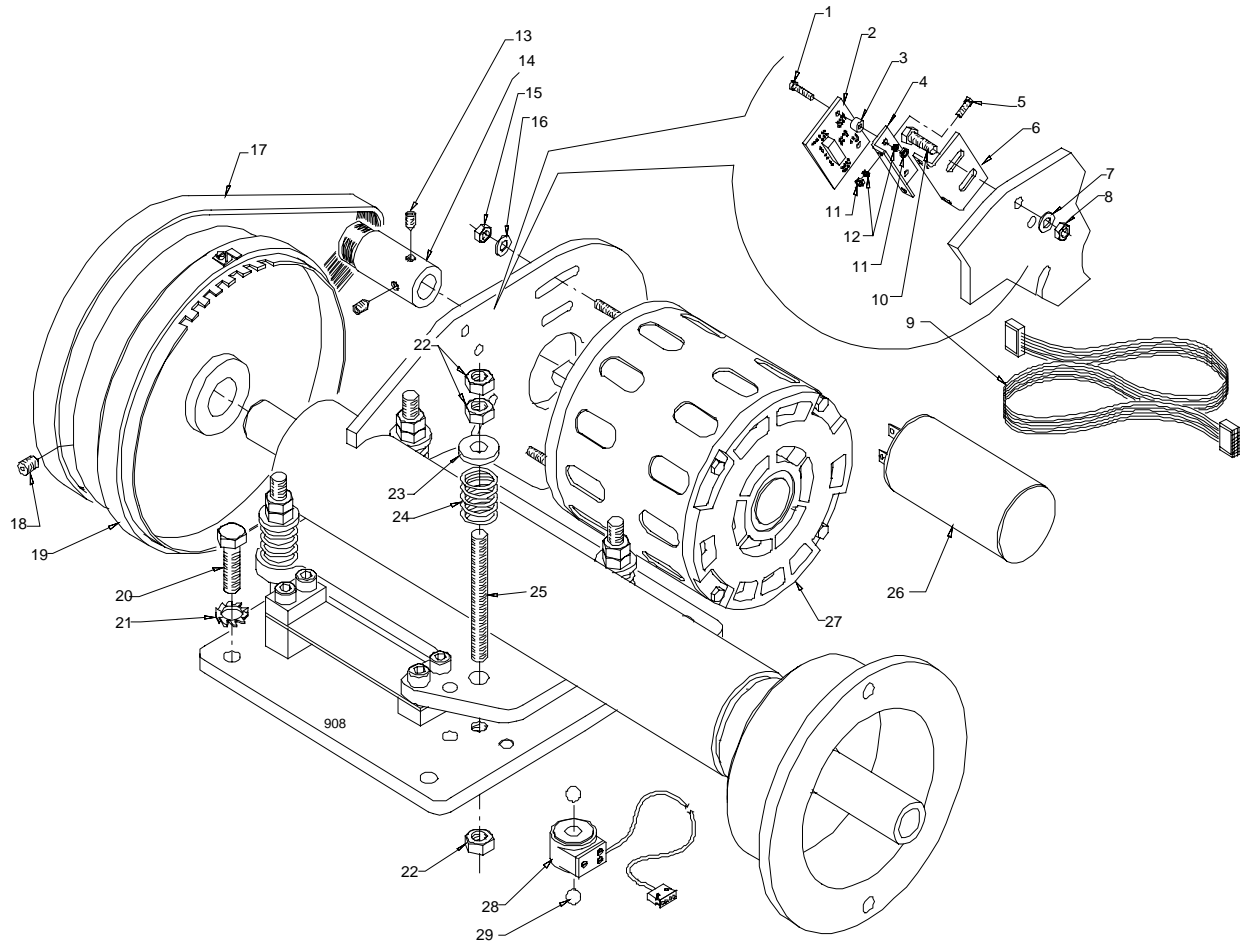


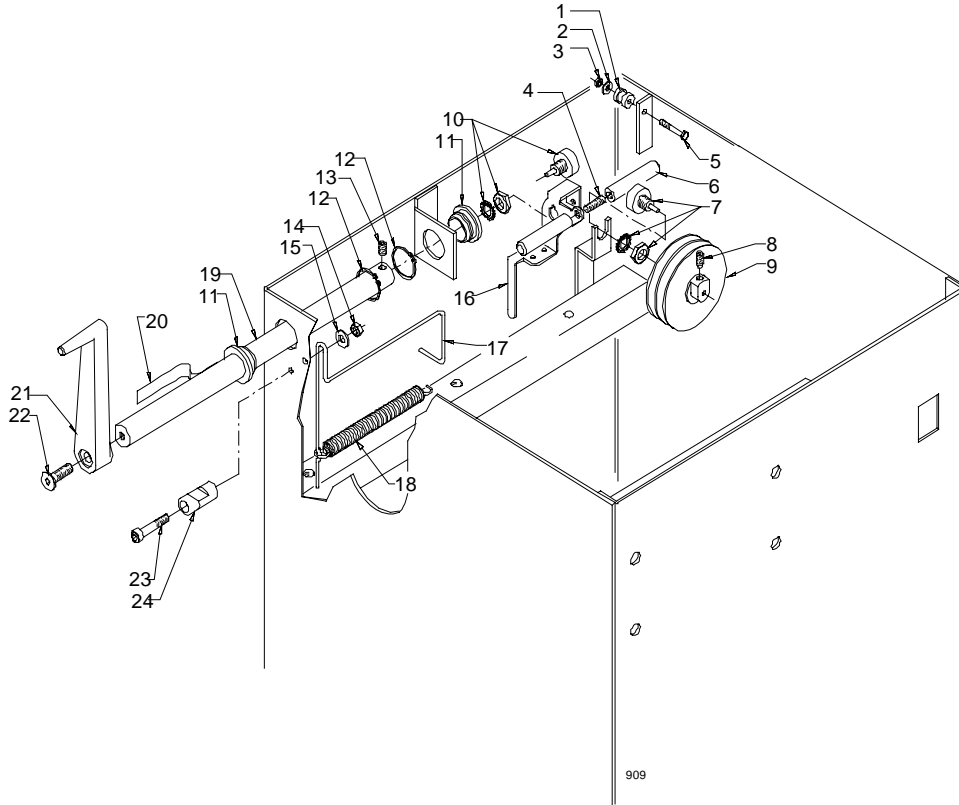
EEWB300A Cabinet Assembly

Item	Part Number	Description
1	ST7401149	Screw, TCB philips head M3x10
2	ST0018022	Insert, thread M3
3	ST0024209	Tray, wheel weights
4	ST7614101	Screw, self - locking 6Px13
5	ST0015374	Switch, luminous
6	ST0016669	Protection, flange
7	ST0016660	Pin, flange support
8	ST7020091	Nut M4
9	ST0024360	Plate - locking, cabinet
10	ST7302211	Screw TCB 4x6
11	ST4024147	Cabinet, wheel balancer
12	ST0015571	Cable with plug CSA



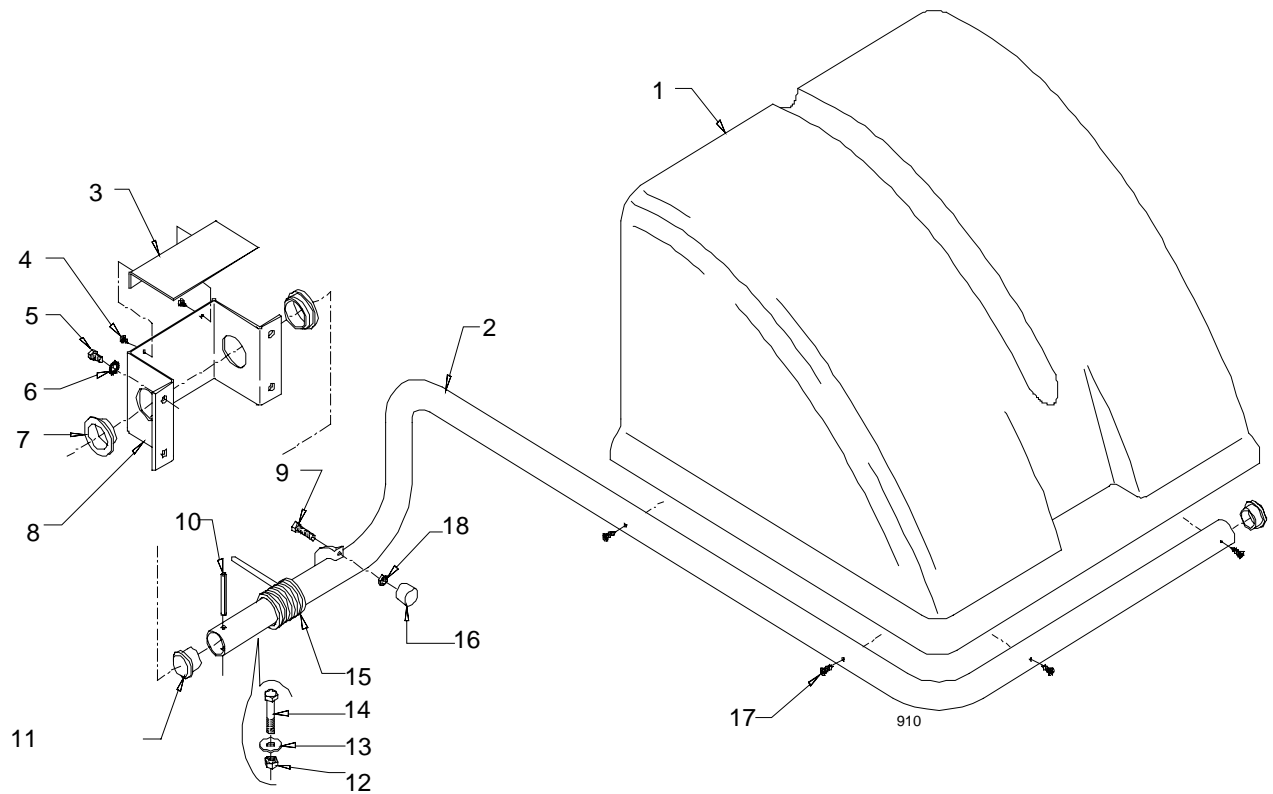
EEWB300A Shaft & Motor

Item	Part Number	Description	Item	Part Number	Description
1	ST7301052	Screw TC 3x15	16	ST7021081	Washer 5x16x1
2	ST4024183	Board, Encoder	17	ST0024301	Belt poly -V J5 - 720
3	ST0014773	Spacer	18	ST7705319	Screw STEI 8x16
4	ST0024299	Support, encoder	19	ST4024300	Assy - pulley, encoder
5	ST7301012	Screw TC 3x12	20	ST7106109	Screw TE 10x30
6	ST0024298	Support, encoder	21	ST7021159	Washer - stop d.10
7	ST7021182	Washer d.6x18	22	ST7020125	Nut M10
8	ST7020041	Nut - hex M6	23	ST0024141	Gyide, spring - assy
9	ST4019397	Cable	24	ST0016953	Spring, oval section D.26 d.13 L.25
10	ST7104059	Screw TE 6x20	25	ST0024143	Pin, locking - assy
11	ST7020192	Nut M3	26	ST0024404	Capacitor, motor - single phase
12	ST7021459	Washer, toothed external d.3	27	ST0024302	Motor 1/3 CV 115V - 60Hz
13	ST7704529	Screw STEI 6x10 plane	28	ST4018710	Transducer piezo
14	ST0024144	Pulley motor 115V - 60Hz	29	ST0002288	Ball d. 6.35
15	ST7020081	Nut M5			



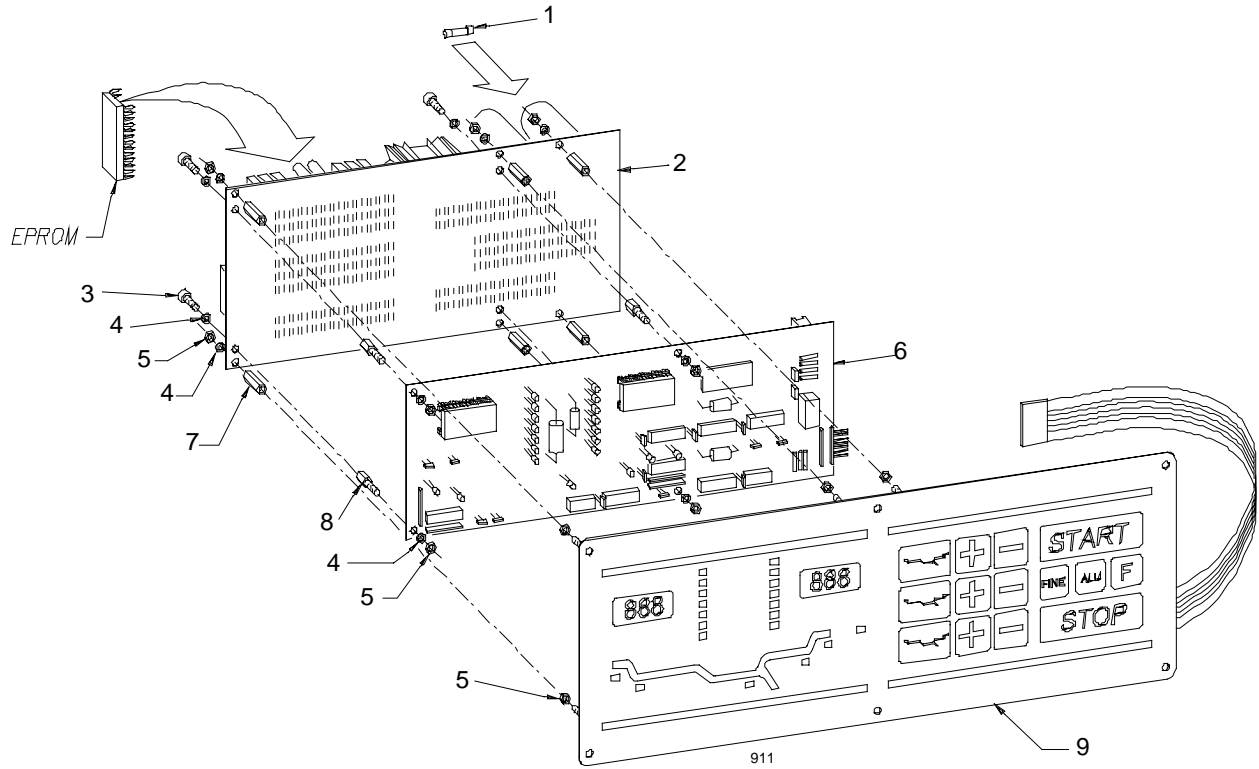
EEWB300A Sape Assembly

Item	Part Number	Description	Item	Part Number	Description
1	ST0024319	Roller, guide caliper	13	ST7703349	Screw STEI 5x14
2	ST7021591	Washer d.4	14	ST7020041	Nut - hex M6
3	ST7020091	Nut M4	15	ST7021182	Washer d.6x18
4	ST7704819	Screw STEI 6x20	16	ST0024342	Support, potentiometer
5	ST7102169	Screw TE 4x30	17	ST0024318	Support, connection spring
6	ST0024322	Pin, counterweight	18	ST0024361	Spring, recall rod caliper
7	ST4024376	Assy, potentiometer. End stroke rod	19	ST0024323	Rod, caliper
8	ST7704529	Screw STEI 6x10 plane	20	ST0016862	Sticker - rod, graduated
9	ST0017794	Pulley potentiometer	21	ST0016718	End stroke - rod, graduated
10	ST4024406	Assy, potentiometer. End stroke rod	22	ST7905599	Screw TSEI M8x20
11	ST0016668	Bushing, caliper rod guide	23	ST7204549	Screw TCEI 6x30
12	ST7022379	Ring - stop d.26	24	ST0016714	Retainer, terminal



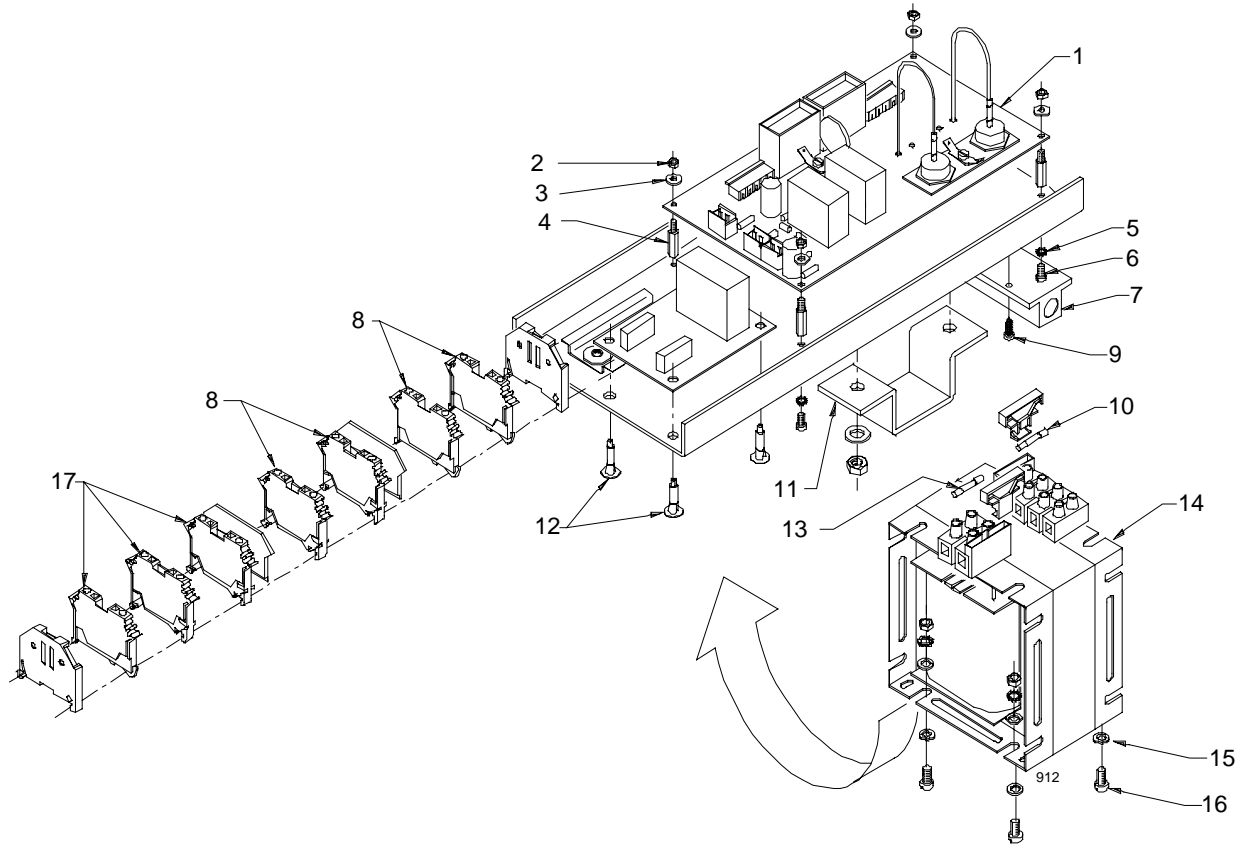
EEWB300A Hood Assembly

Item	Part Number	Description	Item	Part Number	Description
1	ST0024353	Wheel guard	11	ST0024373	Plug, protection tube
2	ST4024352	Assy, tube wheel guard	12	ST7020039	Nut, self locking M8 low
3	ST0024354	Protection support	13	ST7021102	Washer d.8x24
4	ST7416031	Screw self tapping	14	ST7205089	Screw TCEI 8x55
5	ST7105025	Screw TE 8x25	15	ST0024362	Spring, lifting wheel guard
6	ST7021015	Washer d.8	16	ST0024375	Pad, retainer wheel guard
7	ST0016671	Bushing protection guide	17	ST7614101	Screw self locking 6Px13
8	ST0024344	Support, wheel guard	18	ST7020411	Nut M6
9	ST7104099	Screw TE 6x35	*	ST4024372	Hood Assembly
10	ST7023459	Slip pin 5x50			



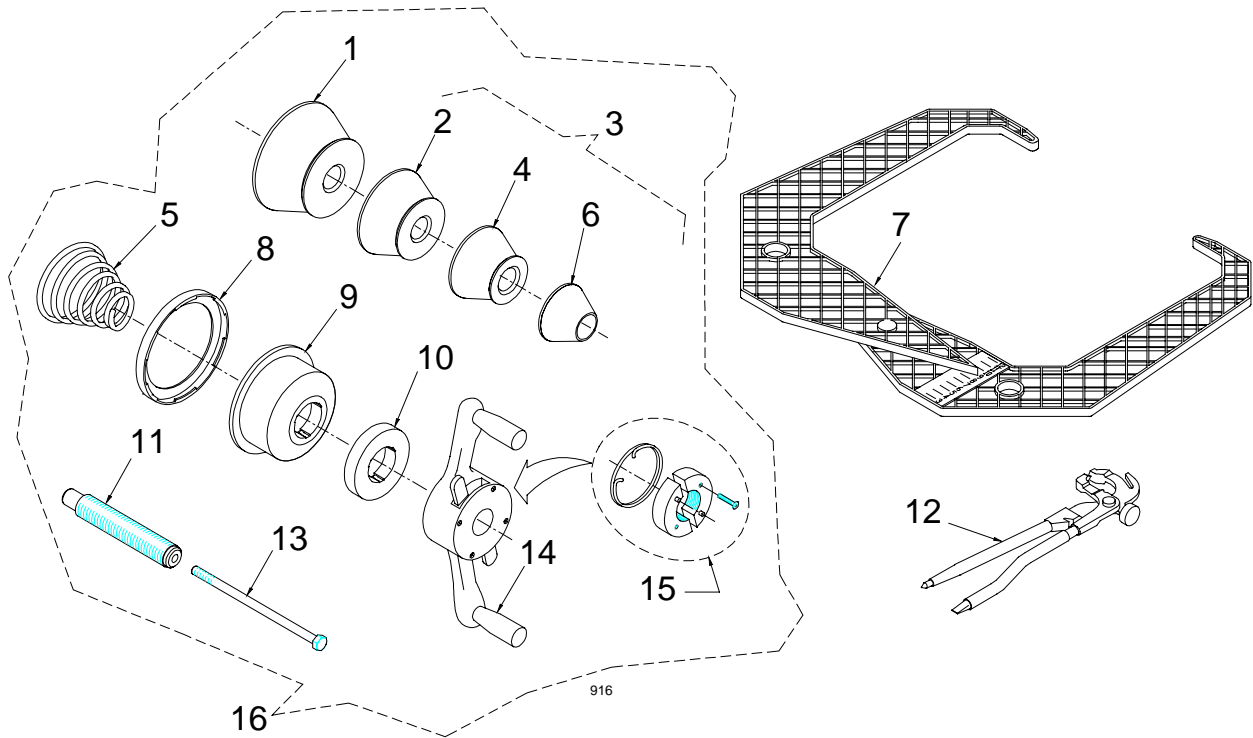
EEWB300A Main PCB Assembly

Item	Part Number	Description	Item	Part Number	Description
1	ST0008748	Fuse 1.6A	6	ST4023548	Board, Display
2	ST4023552	Board, CPU	7	ST0019967	Spacer, nylon
3	ST7401152	Screw TCB cross 3x7	8	ST0020256	Spacer 10mm
4	ST7021460	Washer d.3.2x6 nylon	9	ST4016581	Keyboard wheel balancer
5	ST7020192	Nut M3	*	ST4022315	PCB Assembly



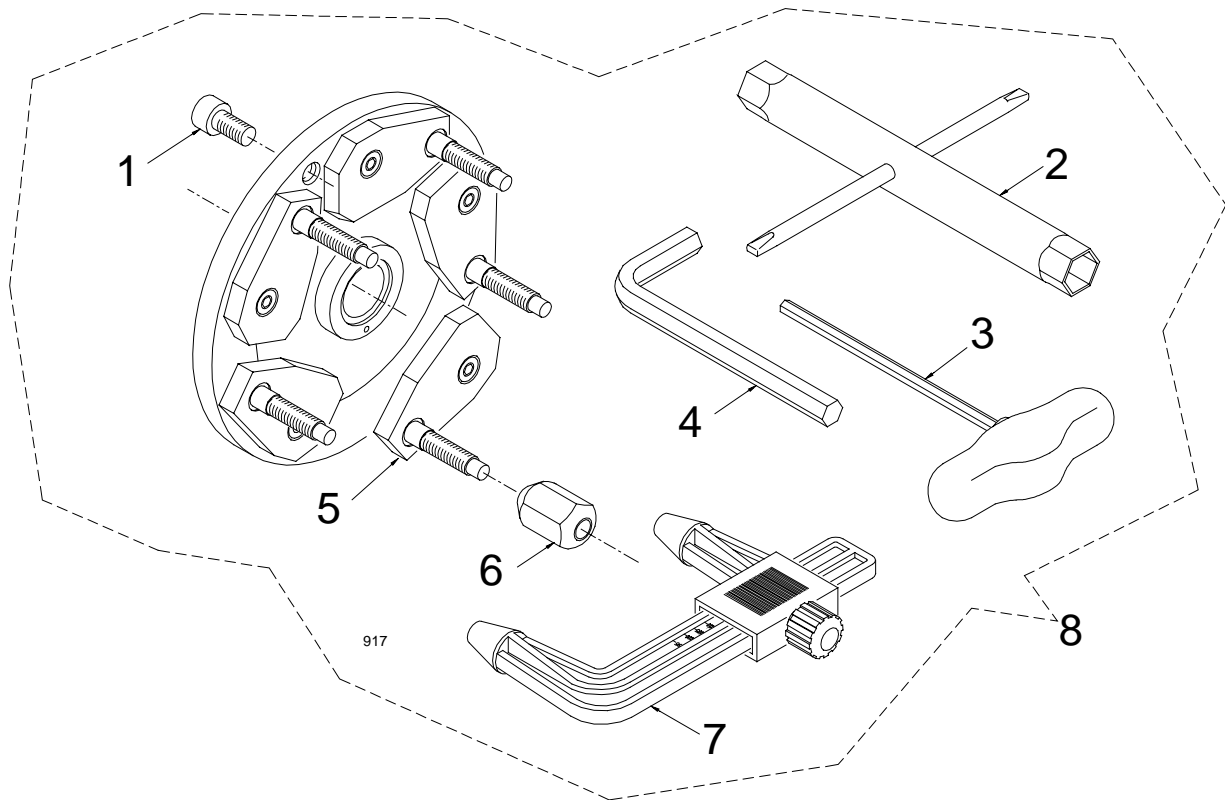
EEWB300A Power Supply

Item	Part Number	Description	Item	Part Number	Description
1	ST4024110	Board, Start - stop	10	ST0015852	Fuse 630mA 5x20 retarded
2	ST7020192	Nut M3	11	ST0024357	Braket, fitting
3	ST7021460	Washer d.3.2x6 nylon	12	ST0019769	Spacer board 3x14.3
4	ST0019967	Spacer, nylon	13	ST0008748	Fuse 1.6A
5	ST7021459	Washer toothed external d.3	14	ST0024281	Transformer 0 -115 - 230 30VA
6	ST7401152	Screw TCB cross 3x7	15	ST7021199	Washer d.4
7	ST0024390	Resistor, break - motor	16	ST7402271	Screw TCB 4x12
8	ST0017733	Terminal	17	ST0017732	Terminal
9	ST7413061	Screw self - thread 4Px9.5 TCB	*	ST4024414	Power Supply Assembly



EEWB300A Cone Kit

Item	Part Number	Description	Item	Part Number	Description
1	ST0200892	Cone 81-139.5 D 28.5	9	ST0200114	Drum universal - european
2	ST0201198	Cone 74-99.7 D 28.5	10	ST0200115	Spacer, hub nut - european
3	ST4200112	Set, car cone, european	11	ST0200116	Shaft, stub - SQ thread 6.25"
4	ST0201199	Cone 54-79.7 D 28.5	12	ST0006452	Pliers, wheel weights
5	ST0200110	Spring, conical	13	ST7162025	Bolt, hex 3/8" - 24x7"
6	ST0201190	Cone 34-64.7 D 28.5	14	ST0200143	Nut, wing - D.28.5 quick
7	ST4007580	Caliper, wheel assy	15	ST4201201	Kit, repair quick nut
8	ST0200111	Cushion, drum universal euro	16	ST4024382	Cone flange D.28.5 with quick nut



EEWB300A Universal Lug adapter

Item	Part Number	Description
1	ST7206119	Screw TCEI 10x20
2	ST0017771	Wrench CH22
3	ST0009536	Wrench T 6mm
4	ST0001425	Wrench 8mm
5	ST4024630	Kit, 5 pins for flange
6	ST4024629	Kit, 5 nuts for flange
7	ST4007576	Caliper set
8	ST0200902	Adaptor, close center W D.28.5