
CHAPTER 4 PARTS

SECTION I	GENERAL.....	4-1
SECTION II	PARTS BY PICTORIAL.....	4-1
	FRONT VIEW.....	4-1
	INSIDE TOP VIEW.....	4-2
	FRONT PANEL ASSY.....	4-3
	WELDMENT ASSY.....	4-4
	HOOD ASSY.....	4-5
	DISTANCE GAUGE ASSY.....	4-5
	STANDARD & OPTIONAL ACCESSORIES.....	4-6

CHAPTER 4

PARTS

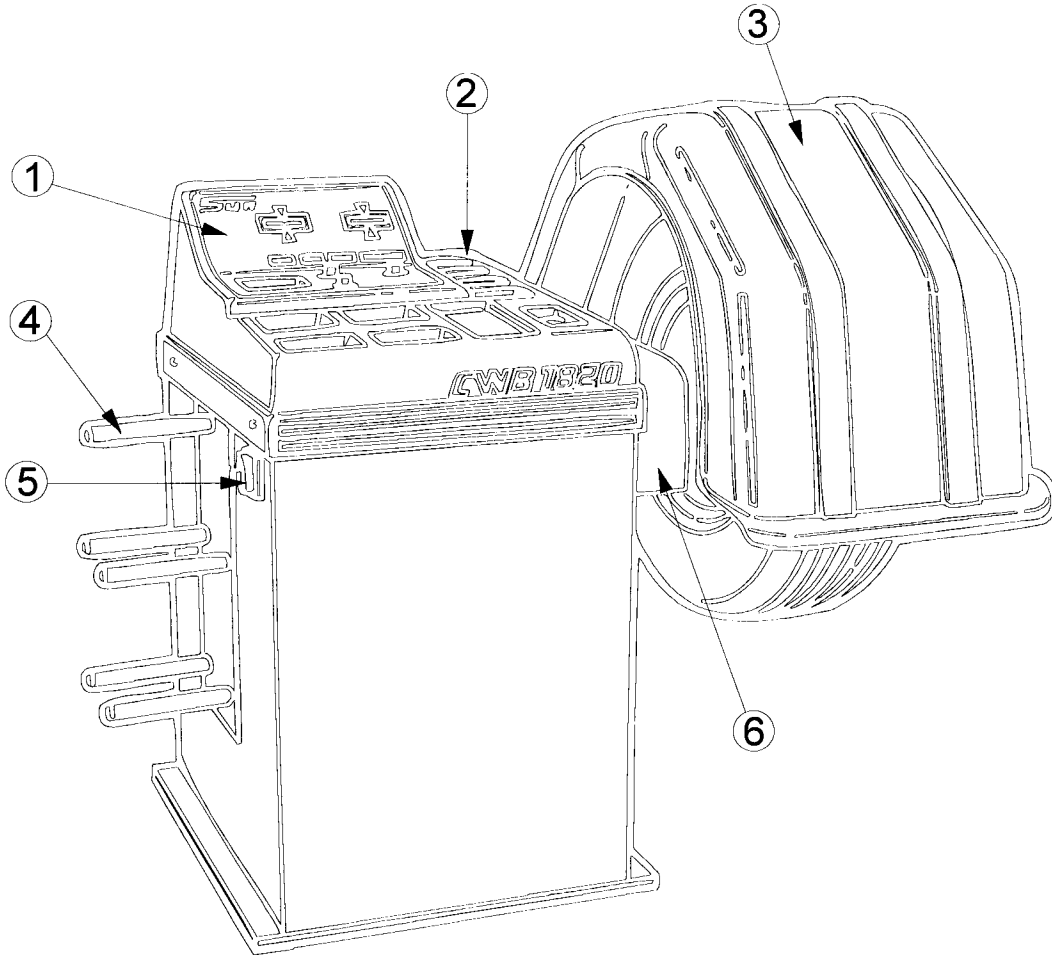
CWB 1820

SECTION I. GENERAL

This chapter describes assemblies/subassemblies/parts considered replaceable at on-site field installation.

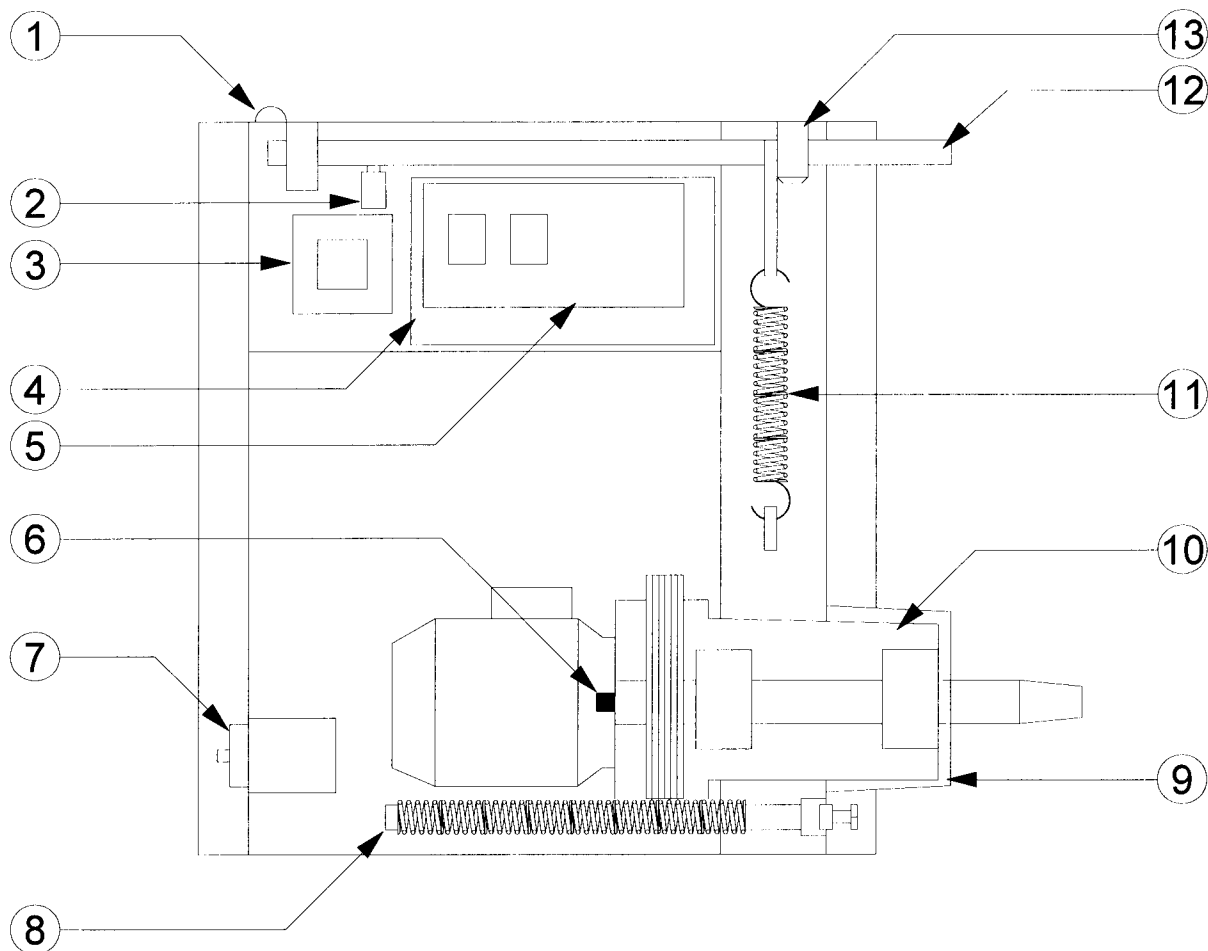
SECTION II. PARTS BY PICTORIAL

FRONT VIEW



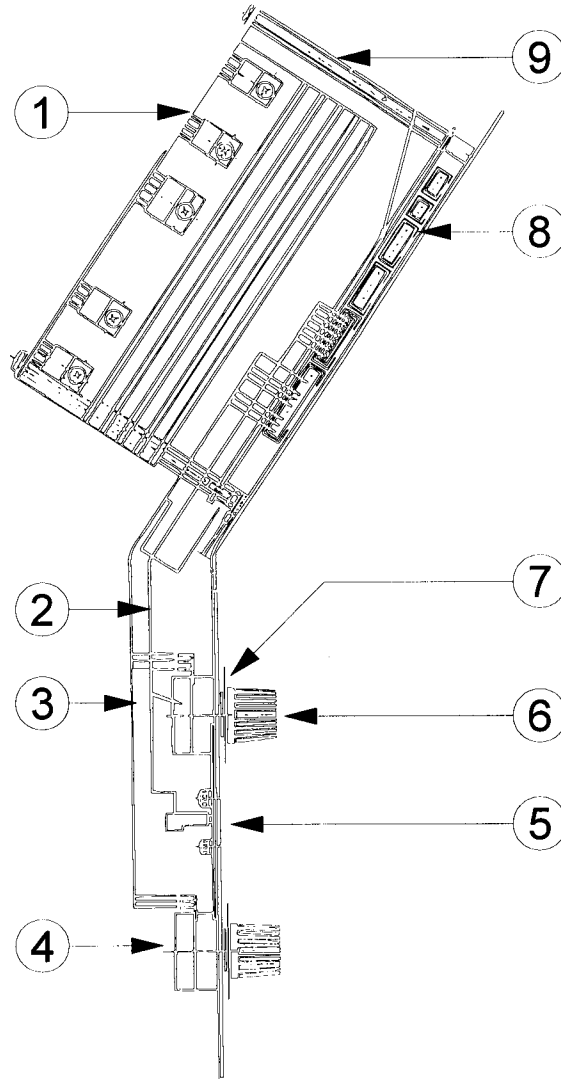
ITEM	DESCRIPTION	PART NUMBER	ITEM	DESCRIPTION	PART NUMBER
1	Front Panel Assy.	See Page 4-3	4	Accessory Rack	931-704-001
2	Weight Tray Assy.	931-713-003	5	On/Off Switch	977-171-045
3	Hood Assy.	See Page 4-5	6	Shaft Cover, Plastic	931-525-022

INSIDE TOP VIEW



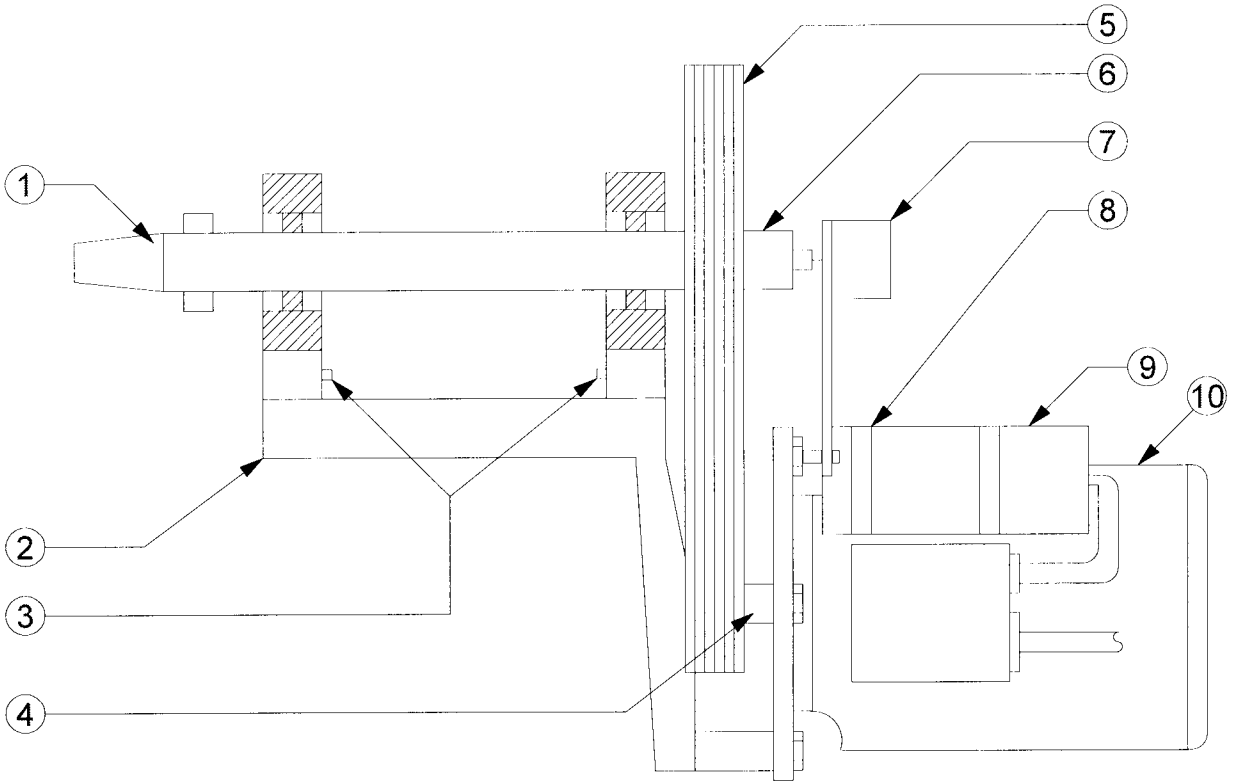
ITEM	DESCRIPTION	PART NUMBER	ITEM	DESCRIPTION	PART NUMBER
1	Bushing, AC Cable	974-205-070	10b	Weldment Assy. 220V	See Page 4-4
2	Switch, Hood	931-171-036	11	Spring, Hood Tension	931-525-055
3	Transformer	931-522-003	12	Tube, Hood Mount	931-523-015
4	Cover, Motor Control	931-545-007	13	Clamp, Hood Mount	931-525-050
5a	Board, Motor Control 110V 1 phase	931-553-044	a	Bracket, Hood Support	931-525-020
5b	Board, Motor Control 220V 3 phase	931-523-002	NS	Cable, Motor Control to Display Board	931-523-017
6	Optical Sensor Assy.	931-501-029	NS	Cable, Inner Piezo	931-523-010
7	On/Off Switch	977-171-045	NS	Cable, Outer Piezo	931-523-011
8	Gauge, Distance Assy.	See Page 4-5	NS	Cable, Motor Control 110V 1 phase	931-553-055
9	Shaft Cover, Plastic	931-525-022	NS	Cable, Motor Control 220V 3 phase	931-553-024
10a	Weldment Assy. 110V	See Page 4-4			

FRONT PANEL ASSY.



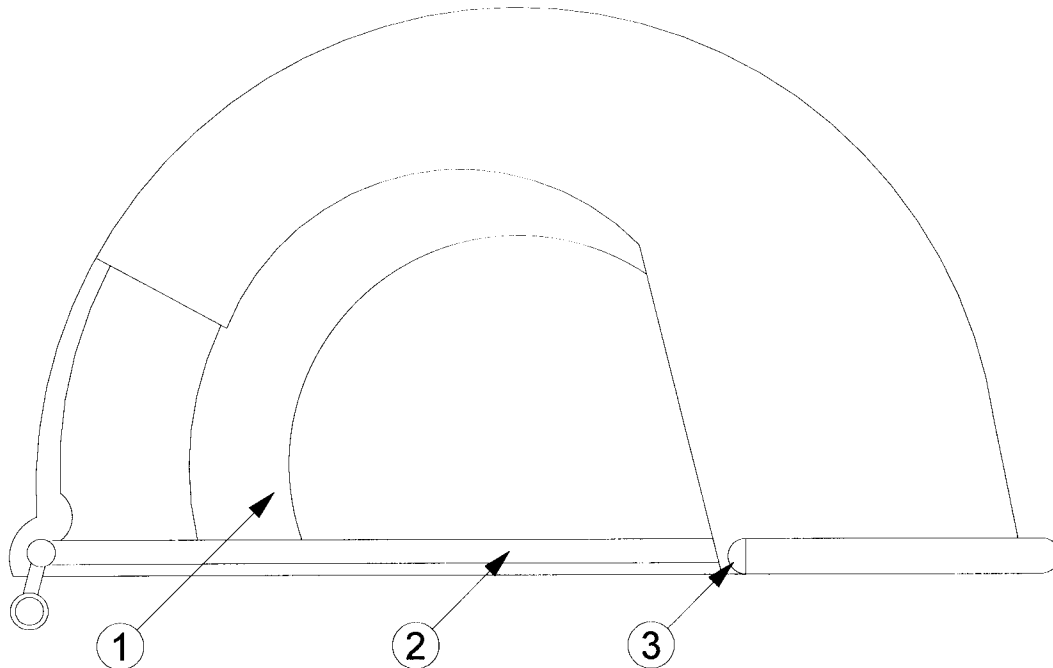
ITEM	DESCRIPTION	PART NUMBER	ITEM	DESCRIPTION	PART NUMBER
1	Board, CPU/Power	931-523-004	6	Knob	974-095-006
2	Cable, Keypad	931-523-014	a	Grey Cap	974-095-008
3	Cable, Pots	931-523-020	7	Ring, Knob	974-095-024
4	Potentiometer	860-000-229	8	Board, Display	931-523-005
5	Panel Assy. w/Keypad	931-715-004	9	Stand Off	974-025-060

WELDMENT ASSY.



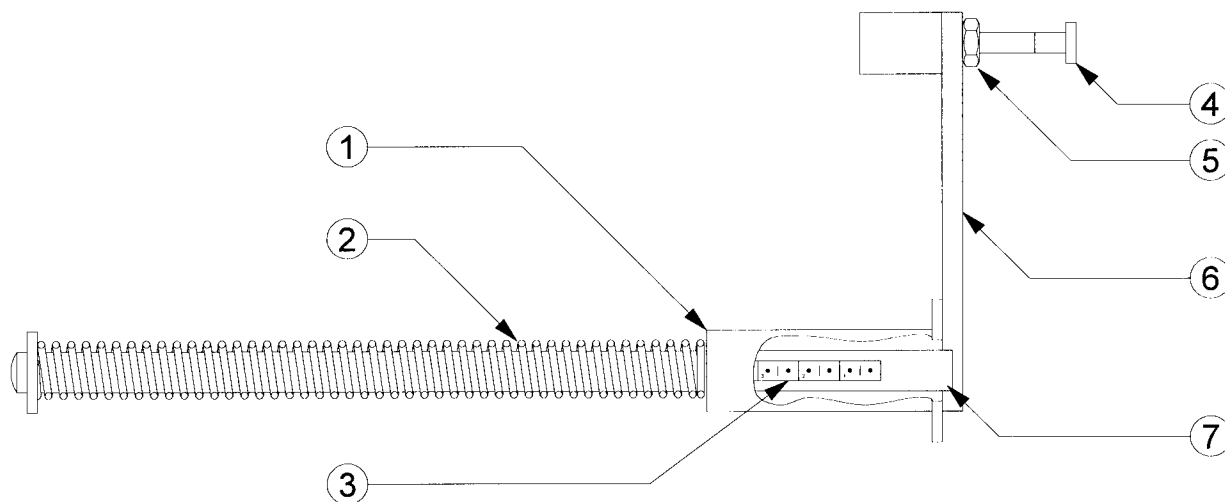
ITEM	DESCRIPTION	PART NUMBER	ITEM	DESCRIPTION	PART NUMBER
1	Shaft	931-505-023	6	Pulley, Large	931-555-008
2	Casting, Base	931-505-022	7	Sensor, Optical	931-501-029
3	Piezo	850-002-322	8	Clip, Retaining	974-205-022
4a	Pulley, Small 110V 1 phase	931-555-126	9	Cap, 110 \square fd	977-135-035
4b	Pulley, Small 220V 3 phase	931-555-010	10a	Motor 110V 1 phase	977-251-046
5	Belts, Drive (6 needed)	931-555-032	10b	Motor 220V 3 phase	977-251-039

**HOOD ASSY.
931-523-024**



ITEM	DESCRIPTION	PART NUMBER	ITEM	DESCRIPTION	PART NUMBER
1	Hood, Safety	931-505-024	3	Cap, Tubing End	974-165-065
2	Frame, Hood	931-524-005			

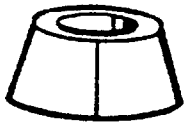
**DISTANCE GAUGE ASSY.
931-522-002**



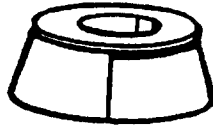
ITEM	DESCRIPTION	PART NUMBER	ITEM	DESCRIPTION	PART NUMBER
1	Flange, Guide	860-001-309	5	Nut	975-110-048
2	Spring, Coil	860-001-310	6	Stop, Arm	931-555-058
3	Scale, Distance	931-525-001	7	Rod, Distance	931-525-040
4	Screw	975-120-423			

Standard Cone Mounting Kit 28.5mm shaft

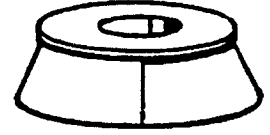
(P/N 8386)



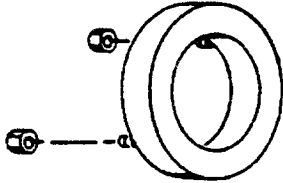
Light Truck Cone
P/N 1133-01
(85mm - 135mm)



Medium Truck Cone
P/N 1447-01
(125mm - 145mm)



Large Truck Cone
P/N 1447-02
(145mm - 165mm)



Spacer Ring
P/N 1489



Spindle Nut
P/N 1470



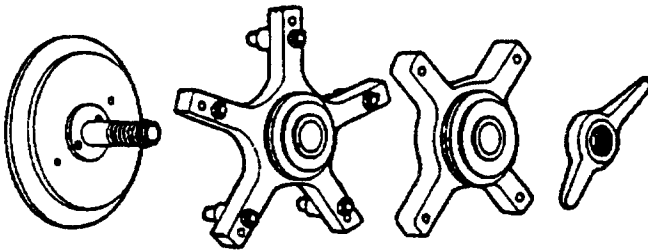
Hub Nut
P/N 1329



Stub shaft
P/N 1179-03

Optional Mounting Accessories 28.5mm shaft

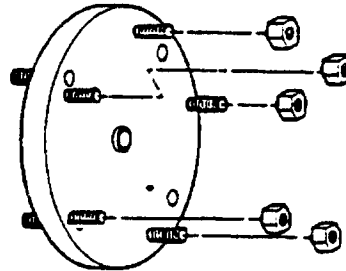
Combination Adapter
P/N 1524



For fast mounting and demounting of truck wheels. This one adapter suits truck wheels with bolt PCDs as follows:

- 8 bolt x 275 - centre hole diameters 220.8
- 8 bolt x 285 - centre hole diameters 220.8
- 10 bolt x 225 - centre hole diameters 176.0
- 10 bolt x 285 - centre hole diameters 220.8
- 10 bolt x 335 - centre hole diameters 280.0

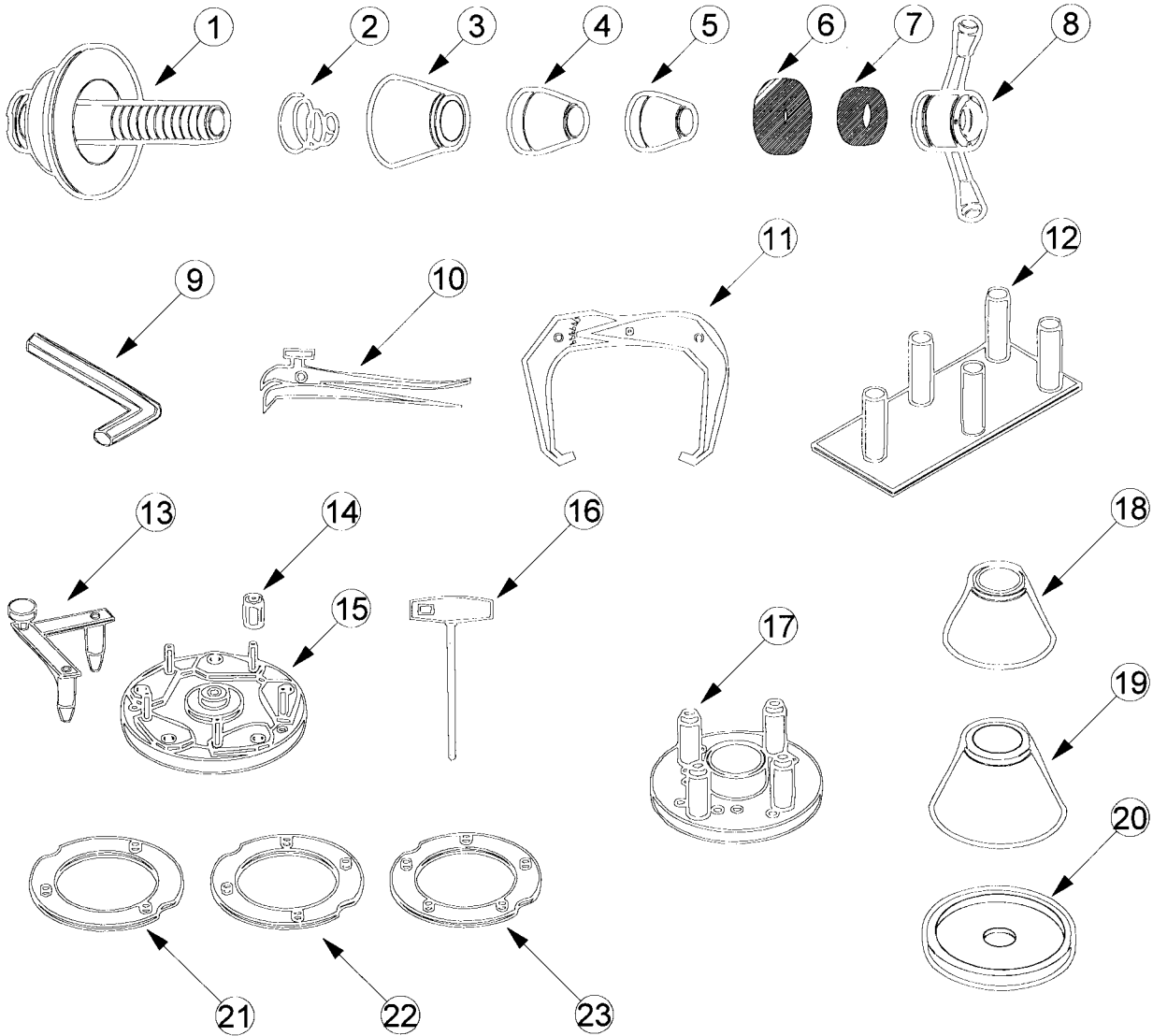
Bolt Plate Adapters
P/N 1465-XX



1. Bolt plate for 10 bolt, 285mm (11 1/4inch) bolt circle and 8 bolt, 275mm bolt circle. (P/N 1465-01)
2. Bolt plate for 10 bolt, 222.25mm (8 3/4inch) bolt circle and 6 bolt 222.25mm (8 3/4inch) bolt circle. (P/N 1465-03)
3. Bolt plate for 10 bolt, 335mm (13 3/16inch) bolt circle. (P/N 1465-02)
4. Bolt plate for 8 bolt 285mm (11 1/4inch) bolt circle. (P/N 1465-04)

Contact your Balco Distributer for further details of Optional Mounting Accessories

STANDARD & OPTIONAL ACCESSORIES



ITEM	DESCRIPTION	PART NUMBER	ITEM	DESCRIPTION	PART NUMBER
1	Arbor, Drive	931-145-059	13	Tool, Lug Measuring	931-145-050
2	Spring, Tension	931-145-032	14	Nut, Lug	931-145-047
3	Cone, Large 73 - 100mm; $2\frac{7}{8}$ - $3\frac{15}{16}$	931-145-124	15	Flange, Universal Drive	931-141-018
4	Cone, Medium 53 - 80mm; $2\frac{1}{8}$ - $3\frac{1}{8}$	931-145-122	16	Wrench, T-Handle Hex	931-145-001
5	Cone, Small 42 - 56mm; $1\frac{5}{8}$ - $2\frac{3}{16}$	931-145-121	17a	Plate, 4-Pin Flange	850-002-513
6	Hub & Ring, Drive	931-144-003	17b	Plate, 5-Pin Flange	850-002-514
7	Ring or Washer, Drive	931-144-002	18	Cone, Std. Truck 95 - 124mm; $3\frac{3}{4}$ - $4\frac{7}{8}$	931-142-002
8a	Nut, Quick (shown)	931-142-004	19	Cone, Large Truck 122 - 170mm; $4\frac{13}{16}$ - $6\frac{11}{16}$	931-144-001
8b	Nut, Standard	931-142-003	20	Spacer, Truck	Part Of Item 19
9	Wrench, Hex	931-145-060	21	Plate, 3-Pin Indexing	931-145-048
10	Pliers, Weight	3300-0001-01	22	Plate, 4-Pin Indexing	931-145-049
11	Gauge, Weight	7400-1177-02	23	Plate, 5-Pin Indexing	931-145-049



0692-9188 (0195)

1995 Sun Electric Corporation

Printed in U.S.A.

"FOR REFERENCE ONLY"