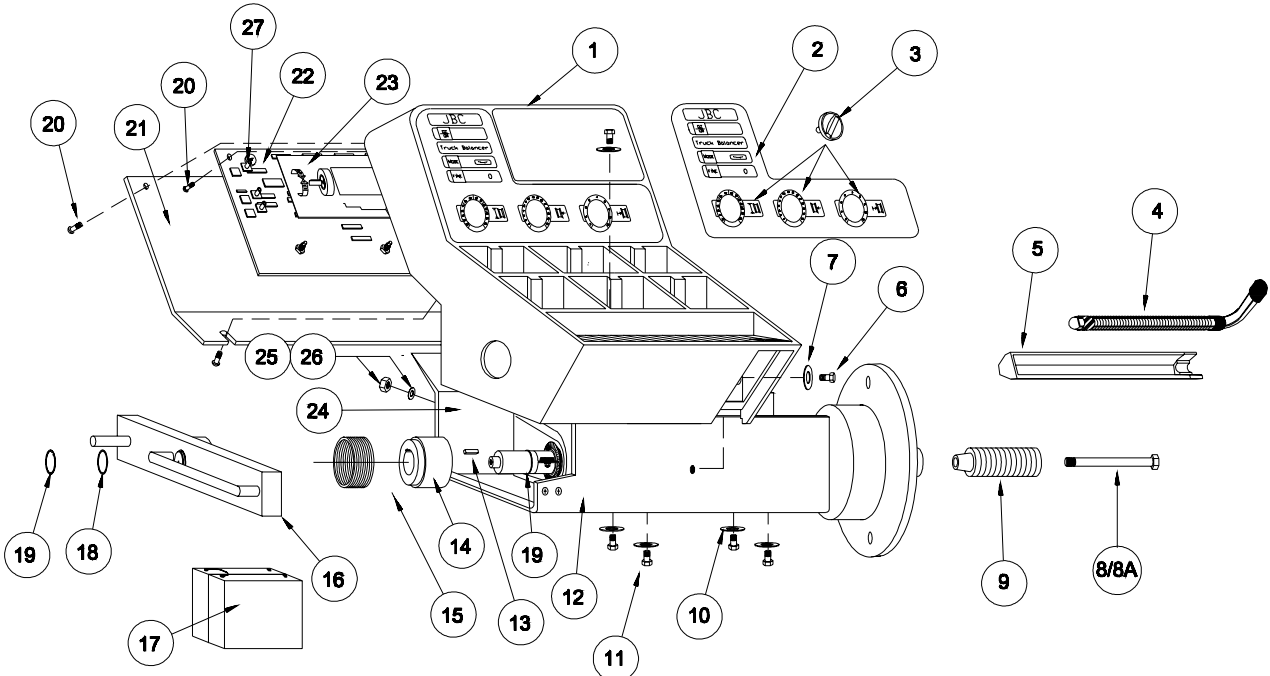




***JBC 3.5 Truck
Wheel Balancer***
Parts Reference

Form 5471-1

All information contained or disclosed in this document is considered confidential and proprietary by Snap-on Tools Company. All manufacturing, use, reproduction, and sales rights are reserved by Snap-on Tools Company and the information contained herein shall not be used in whole or in part without the express written consent of Snap-on Tools Company.

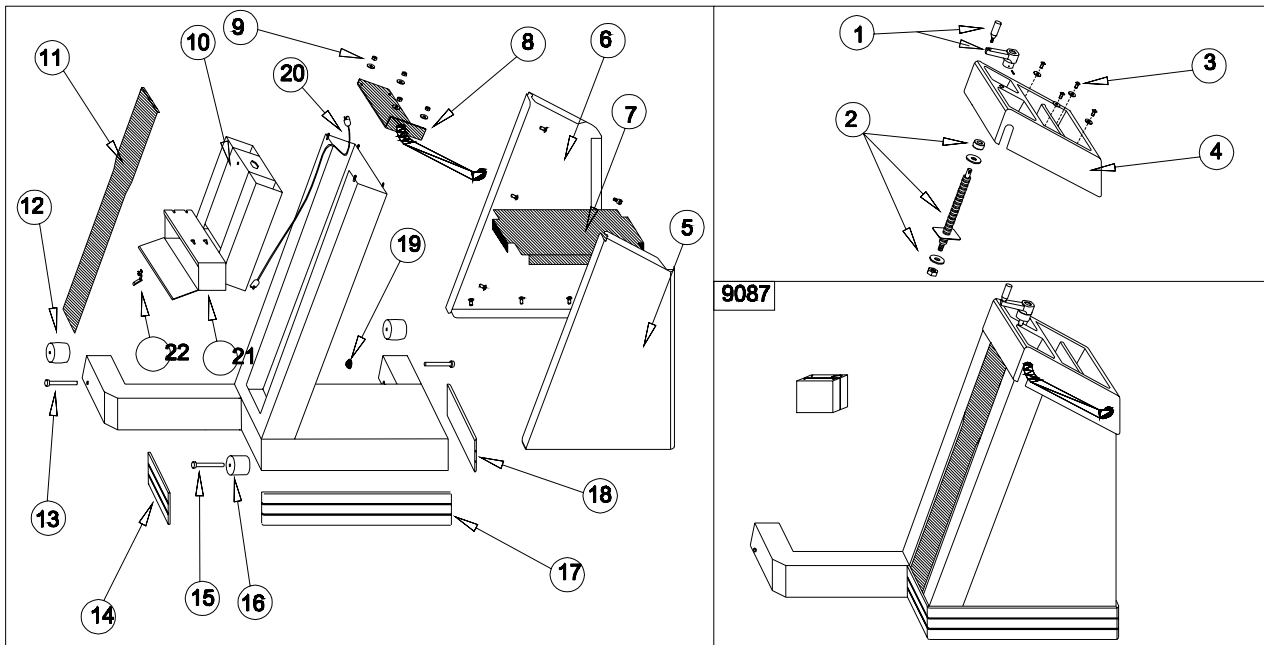


Part List – JBC Model 3.5 Truck Balancer Measuring Head, P/N 9086

Ref.	Part Number	Description
1	7553-04	Control Housing
2	9079	Panel, Front - Truck
3	1591-02	Control Knob Assembly, Red
4	8405-02	Distance Gauge Arm Assy, Truck
5	1581	Distance Gauge Arm Housing
6	0102-3118-12	Bolt, HH – 5/16-18 x 3/4" Black
7	0205-0031	Washer, flat – black, 5/16"
8	0110-3824-82	Bolt, hex – 3/8 x 24 x 7"
8A	D0091216150	Bolt, M16x150
9	112095	Threaded Shaft, Truck – 40mm
10	0205-0032	Washer, Flat Special – 5/16"
11	0102-3118-12	Bolt, Hex – 5/16 x 3/4" long, black
12	7667-10	Main Hsg. Assy. – 40mm Shaft
13	1104	Key, Drive
14	1438	Clutch Hub
15	1485	Wrap Spring
16	1458-02	Handle Assembly
17	1463	Battery Assy., 8 vdc
17a	7500-0001	Battery (2 needed)
18	1526	Shim
19	0603-1125	Bowed Circlip, 1 1/8"
20	0901-0818-08	Screw, Self-tapping – black
21	7700	Panel, Back - Truck
22	7902-01	PCB Assembly
23	8041-03	Display Panel Assembly
24	7673-02	Back Panel Assembly
25	0302-1032	Nut, ESNA #10-32
26	0201-0010	Washer, Flat – 1/2"
27	8073	Switch Extender

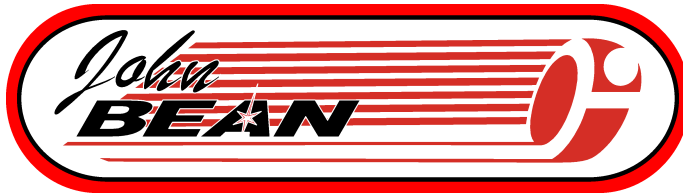
Parts Not Shown

112100	Wing Nut Assembly
112096	Backing Disc
112097	Truck Cone, Light
112098	Truck Cone, Medium
112099	Truck Cone, Large
112101	14mm Hex Wrench
1595-01	Weight Tray Labels – ounces
1595-02	Weight Tray Labels – grams
6605-000101	AC Adaptor



Exploded Part List – JBC 3.5 Truck Wheel Balancer Base – P/N 9087

Ref.	Part Number	Description
1	2574-01	Crank & Handle Assembly
2	2540	Balancing Head Lift Assembly
3	0119-0832-08	Mounting Screws, Weight Tray
4	7925	Weight Tray Assembly
5	7915-08	Left Panel
6	7915-09	Right Panel
7	2569	Accessory Shelf
8	7404-0005	Cable clamp base
9	0352-0080	Nut, Retainer -
10	9086	Assembly, Head Mounting
11	8309	Cover, Lift Assembly
12	1101-0007	PU Wheel & Tire (Legs of Balancer) (WHEEL)
13	1000-0500-72	Axle – PU Wheels & Tires (clevis pin, 1/2x4 1/2")
14	2576-03	Extrusion Bumper – 8.5"
15	7980-01	Axle – Cast Iron Wheel (clevis pin, 15mm)
16	1101-0005	Cast Iron Wheel (Center of Balancer)
17	2576-02	Extrusion Bumper – 24"
18	2576-01	Extrusion Bumper – 13"
19	8031	Power Lead
21	2570	Battery Cover
22	4500-0122	Plastic Latch for Battery Cover
N/S	7203-0011	Battery Cable Assembly (Fuse, conn., wiring)



USA

John Bean Company
309 Exchange Avenue
Conway, Arkansas 72032
Tel.: (800) 362-8326 or (501) 450-1500
Fax: (501) 450-1585

FRANCE

John Bean Company
Snap-On Equipment France
Z.A. Du Vert Galant
15, rue de la Guivernone
BP 7175
95310 Saint Ouen L'Aumone
Tel: (33) 1-3448-5878
Fax: (33) 1-3448-5879

IRELAND

Snap-On Equipment Europe Ltd.
Bay 99
Industrial Estate,
Shannon
Co. Claire, Ireland
Tel: (353) 6147-1300
Fax: (353) 6147-2556

CANADA

John Bean Company
6500 Millcreek Drive
Mississauga, Ontario
Canada L5N 2W6
Tel: (905) 814-0114
Fax: (905) 814-0110

GERMANY

John Bean Auto Service Gerate
Division to Sun Electric Deutschland GmbH
Gewerbepark Sinn
D-35764 Sinn Herborner Str. 7-9
Tel: (49) 2772-9404-0
Fax: (49) 2772-94042-23

LATIN AMERICA

Rua Apinages
1268 cj. 605B
Perdizes-Sao Paulo-S.P.
Cep: 05017-0000
Brazil
Tel: (55) 11-871-0713
Fax: (55) 11-871-0713

Notice: The information contained in this document is subject to change without notice. **John Bean Company** makes no warranty with regard to this material. **John Bean Company** shall not be liable for errors contained herein or for incidental consequential damages in connection with furnishings, performance, or use of this material.

This document contains proprietary information which is protected by copyright and patents. All rights are reserved. No part of this document may be photocopied, reproduced, or translated without prior written consent of **John Bean Company**.



is a registered trademark of the John Bean Company and Snap-on Incorporated