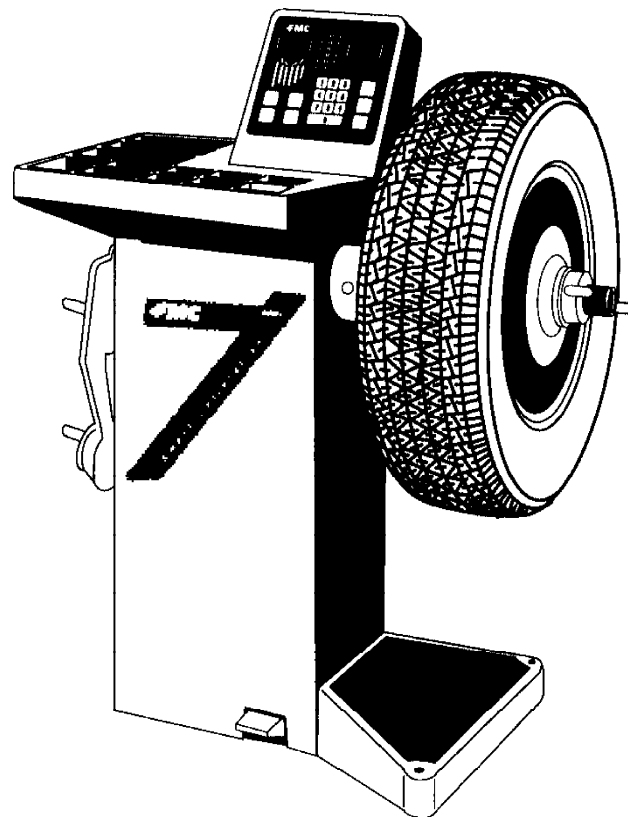


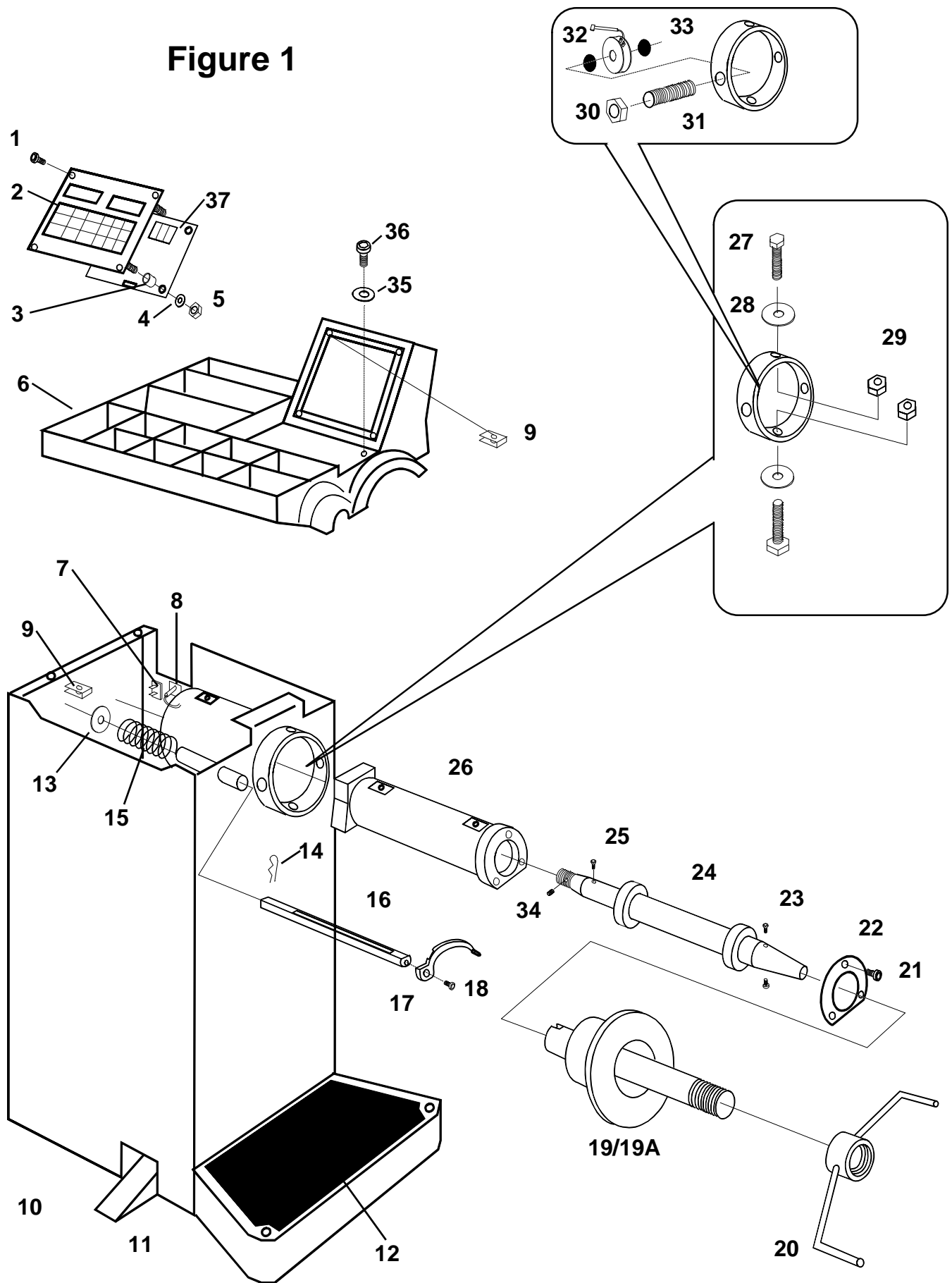
# Parts Reference

## Model 3.2 Computerized Hand Spin Balancer

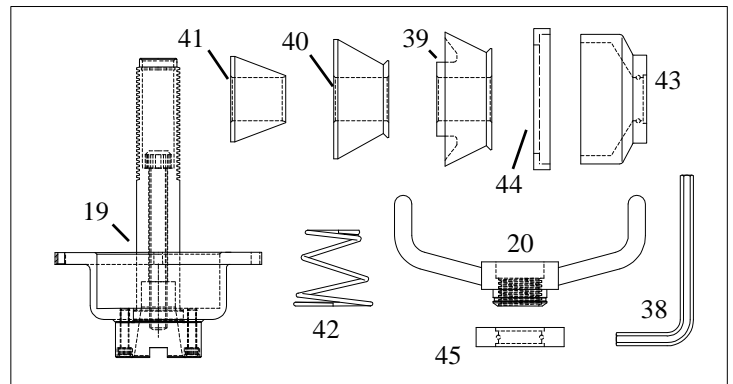
FORM 5171



**Figure 1**



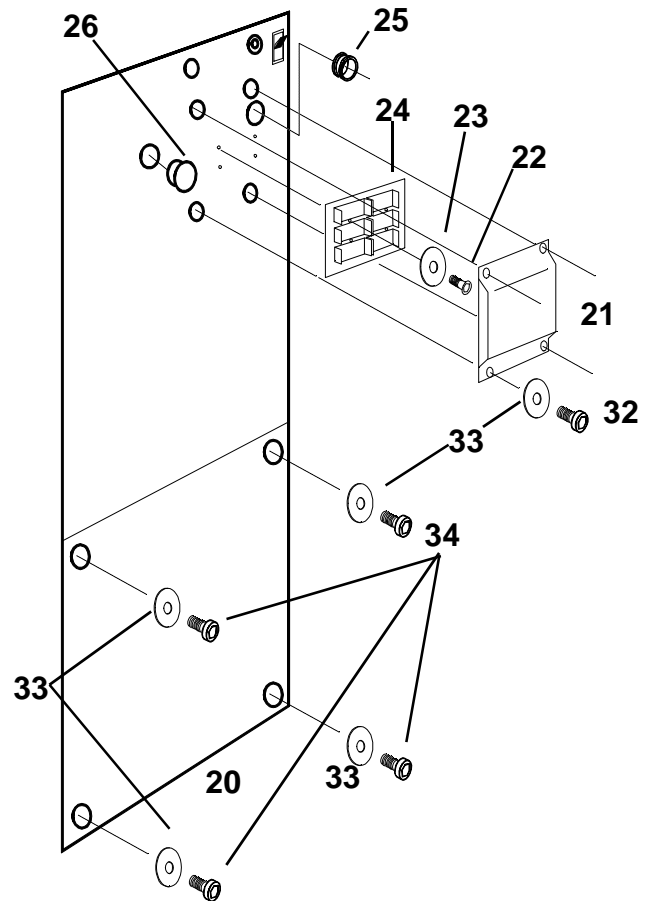
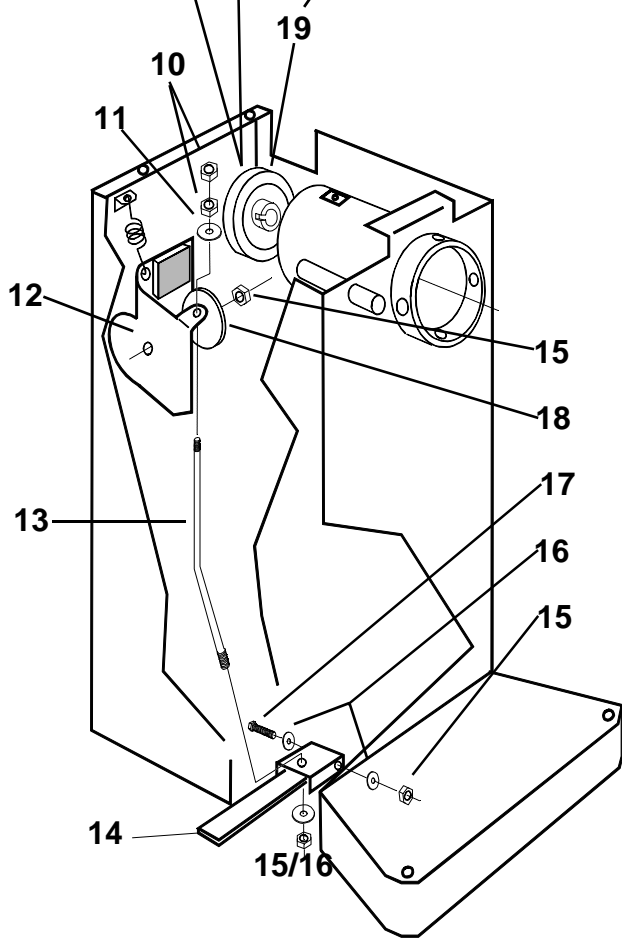
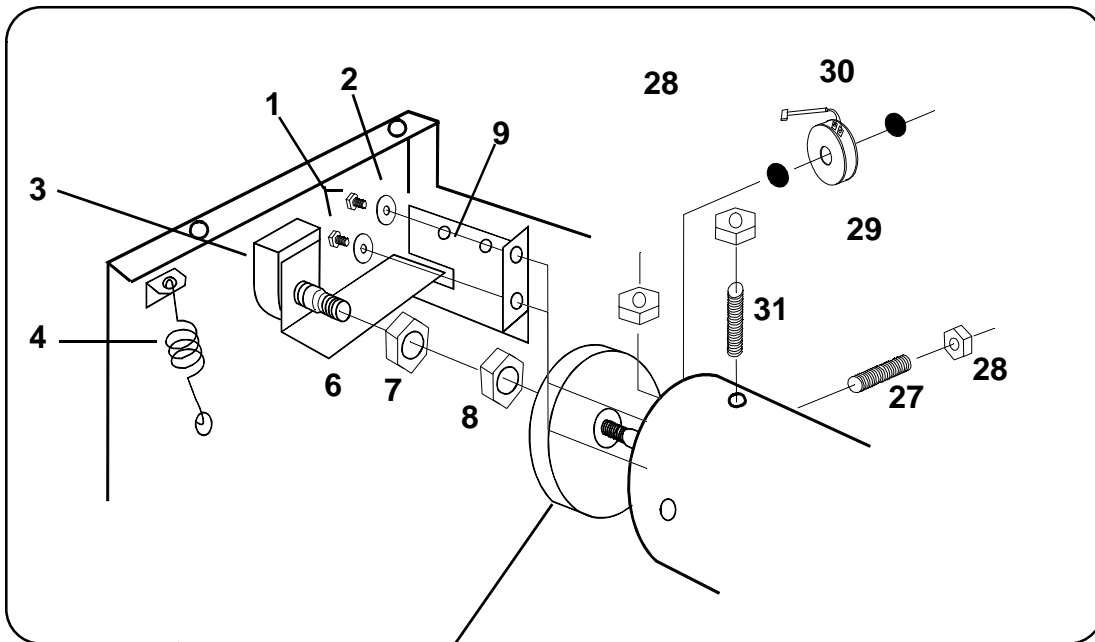
Ref No.	Part No	Description	Ref No	Part No	Description
1	1187794	Screw BHCS 1/4-20x5/8"	37	110360	Computer PCB Assembly
*	110443	"FMC" Logo Decal	38	110573	14mm Allen Wrench (p/o 110585 kit)
2	110556	Membrane Switch			
3	1122025	Nylon Spacer .312 OD x .140 ID x .678	39	110561	Large Cone, 95-124mm (p/o 110585 kit)
4	1101955	#6 Nylon Flat Washer	40	110560	Medium Cone, 75-110mm (p/o 110585 kit)
*	110585	Haweka Adapter Kit	41	110559	Small Cone, 42-80mm (p/o 110585 kit)
5	1101255	ESNA Nut #6-32	42	110597	Conical Spring (p/o 110585 kit)
*	110563	Test & Calibration Weight	43	110595	Retainer Cup (p/o 110585 kit)
6	110500	Weight Tray	44	110410	Rubber Protector (for 110595)
*	83207	Hole Plug	45	110596	Small Pressure Ring (p/o 110588)
7	110555	Power Switch	*	61123	Rim Width Gauge Assy
*	44250	"FMC" Logo Decal	*	61122	Rim Width Gauge Arm
8	110598	Harness Assembly	*	110565	AC - DC Convertor
*	110508	Accessory Protective Mat			
*	110517	Mounting Plate (Power Jack)			
*	110548	DC Power Jack			
*	1122017	Pop Rivet 1/8"D x 1/4 Grip			
*	1122018	Back-up Washer 1/8"			
9	1122027	Tinnerman Nut 1/4-20			
10	110764	Cabinet Weldment Assembly			
11	110532	Brake Pedal			
12	110509	Protective Foot Mat			
13	1107383	3/8 SAE Flat Washer			
14	1100346	Cotter Pin			
15	61243	Spring			
16	110536	Distance Gauge Rod			
17	110535	Distance Gauge Arm			
18	1101710	Screw, Thread Cutting 1024x.62"			
19	110558	Haweka Backing Collar (p/o 110585 kit)			
19A		Haweka Centering Shaft (p/o 110585 kit)			
20	110580	Handcrank Nut (part of 110585kit)			
21	1101726	Screw BHC #10-24x1/2"			
22	61185	Bearing Clamp			
23	1122024	Soc. Hd. Screw M8-1.25x38mm			
24	110551	Shaft/Bearing Assembly			
25	1110817	Soc. Hd Cap Screw 1420x0.375"			
26	110583	Bearing Tube			
27	1101728	Screw HHC 1/2-13x2-1/4"			
28	1119966	7/16" Brass Washer			
29	1121553	1/2-13 Hex Nut			
30	1121551	3/8-16 Hex Nut (2 used)			
31	1101717	Setscrew 3/8-16x1.0"			
32	111059	Transducer Assembly			
33	1177856	7/32"D Ball			
34	1112671	Setscrew #10-24x1/4"			
35	1101930	1/4" Flat Black Washer			
36	1122026	Button Hd. Cap Screw 1/4-20x2.0			
*	61937	Suspension Tube Cap			
*	1101726	Screw BHC #10-24x1/2"			
*	1187949	Int. Tooth Lockwasher			



**110585 Assembly**

\* NOT SHOWN

**Figure 2**



Ref No	Part No	Description
1	1111599	Screw HHC 1/4-20x5/8"
2	1100241	1/4" Lockwasher
3	110553	Encoder Assembly
4	6002488	Spring
6	110587	Encoder Mount
7		Supplied Part of Encoder Assembly
8	1109592	Jam Nut 3/4-16
*	1103999	3/4" Lockwasher
9	110586	Encoder Anti-Rotation Bracket
10	1121507	1/4-20 Nut
11	1101930	1/4" Flat Black Washer
12	110549	Brake Lever Assembly
13	110530	Brake Rod
14	110532	Brake Pedal
*	110516	Brake Pedal Spacer
15	1120240	3/8-16 Stop Nut
16	1107383	3/8" SAE Flat Washers
17	1103227	Screw 3/8-16x4-1/2"
18	110520	Disc
19	110510	Flywheel
20	110779	Access Cover
*	1122027	Tinnerman Nut 1/4-20
21	111237	Battery Cover
22	1122017	Pop Rivet 1/8"D x 1/4 Grip
23	1122018	Back-up Washer
24	111159	Battery Holder
25	64252	Grommet
26	1101978	Hole Plug
27	1101717	Setscrew 3/8-16x1.0"
28	1121551	3/8-16 Jam Nut
29	1177856	7-32 Ball
30	111059	Transducer Assembly
31	1103523	Setscrew 3/8-16x2-1/2"
32	1122029	Thumbscrew 1/4-20x5/8"
33	1101930	1/4" Flat Black Washer
34	1187794	Screw BHCS 1/4-20x5/8"
*	1101641	5/16" Clamp
*	1107383	3/8 SAE Flat Washer
*	110598	Wiring Harness
*	64383	Tie Wrap
*	110574	Battery Polarity Decal
*	110575	Power Jack Polarity Decal

\* NOT SHOWN



**FMC Corporation**  
Automotive Service Equipment Division  
Exchange Avenue  
Conway Arkansas 72032