

CHAPTER 9

PARTS

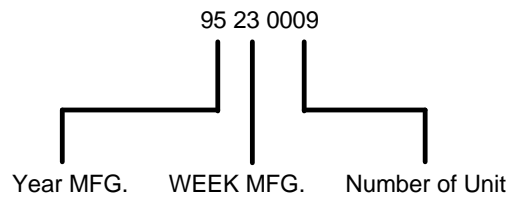
GENERAL

This chapter describes assemblies, subassemblies and parts considered replaceable in field situations.

NOTE: *The following is a breakdown description for the serial number.*

Serial # Location - Back side of unit next to the main leadset connector.

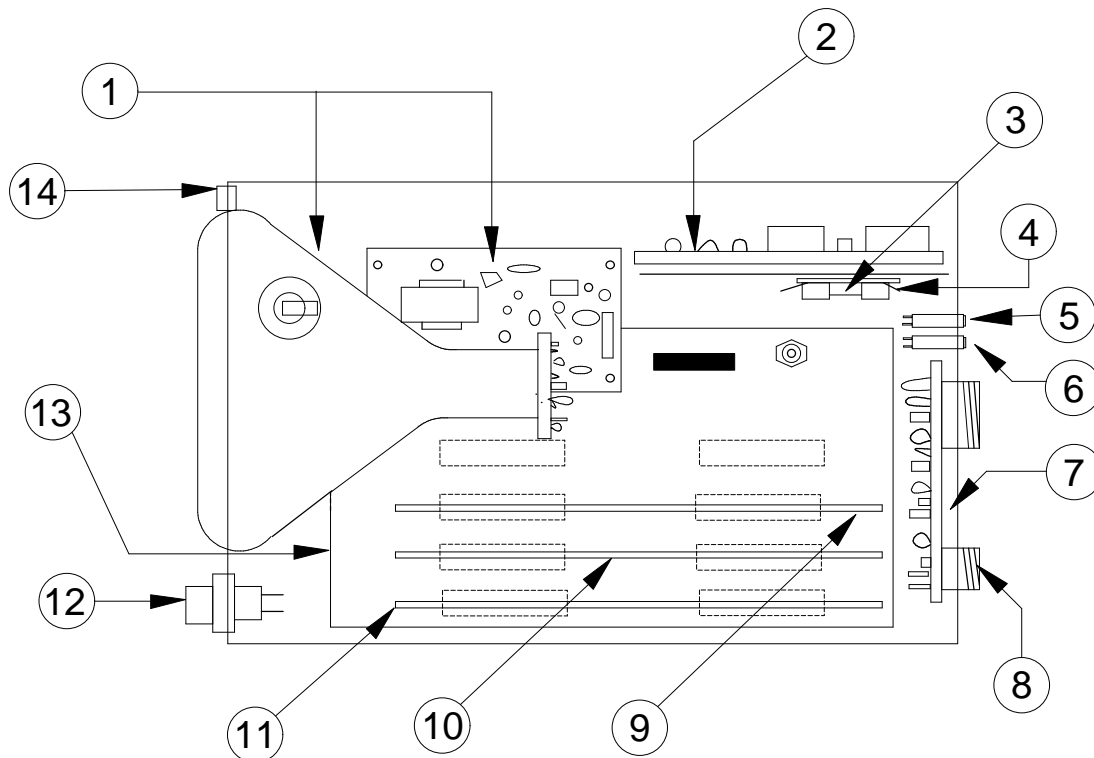
Example:



NS: NOT SHOWN IN PICTORIAL

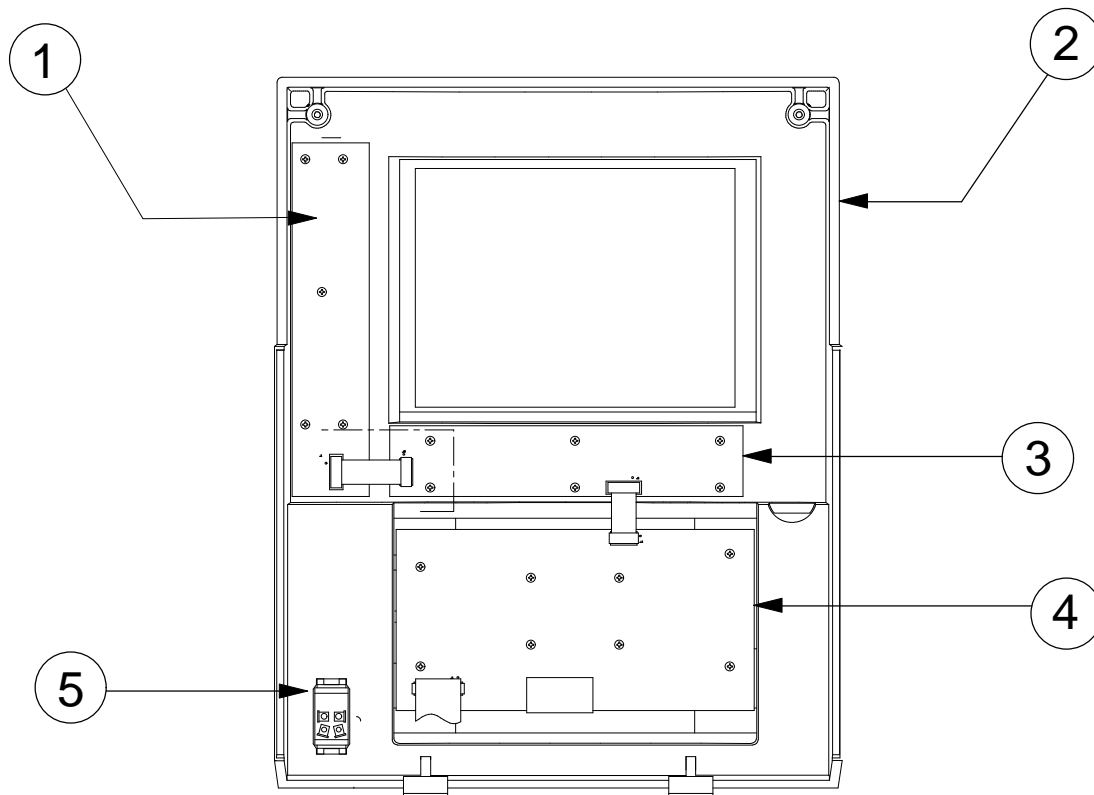
SST-1500 PARTS BY PICTORIAL

TOP VIEW



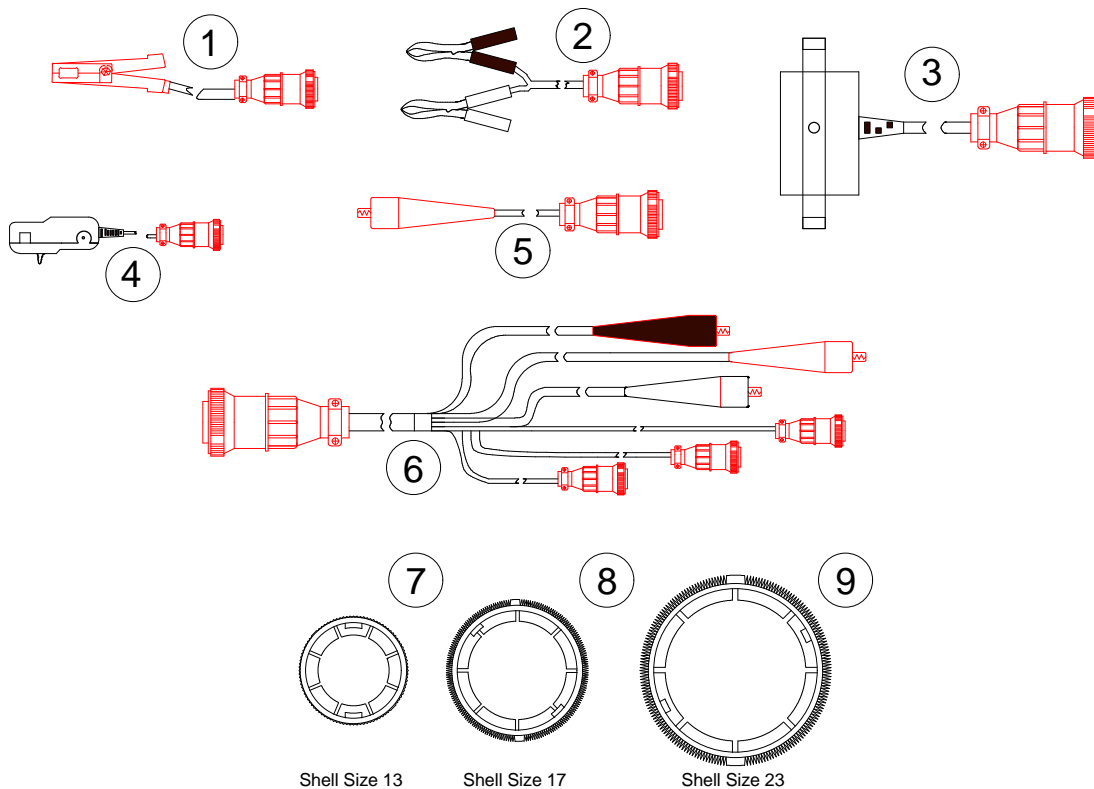
ITEM	DESCRIPTION	PART NUMBER	ITEM	DESCRIPTION	PART NUMBER
1	Monitor Assy	EAA0061K00A	10	Board, Input Digital	EAP0044K00A
2	Board, Power Supply	MT3000A1700A	11	Board, Analog	MT3000A1100
3	Fuse, 20A 32V	210551	12	Switch, On/Off	29658
4	Fuse Holder	210951	13	Board, Backplane	EAP0007K00A
5	Circuit Breaker, 8A 12V	211251	14	POT, Brightness	MT300016A
6	Circuit Breaker, 3A Gnd	28751	14a	Knob, Brightness	MT30005A
7	Board, Input Protection	MT3000A1800	NS	Mounts, Rubber	87018
8	Connector, 12V	212748	NS	Handle, Grip	EAA0064K00A
9	Board, Video	EAP0045K00A			

FRONT PANEL (INSIDE)



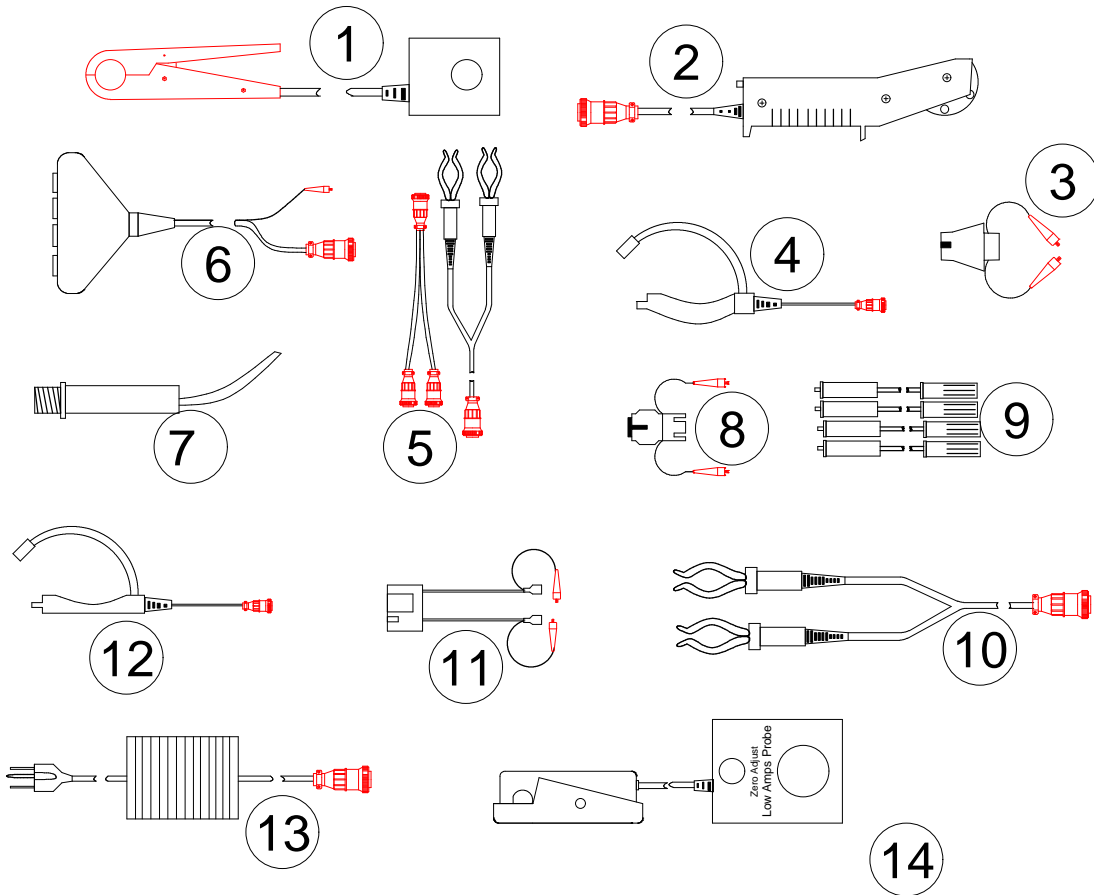
ITEM	DESCRIPTION	PART NUMBER	ITEM	DESCRIPTION	PART NUMBER
1	Board, Menu Keys	EAP0033K00A	3a	Key Pad, Function	EAC0010K02A
1a	Keypad, Menu	EAC0010K03A	4	Board, Main Keys	EAP0031K00A
2	Bezel Front Panel	EAC0010K00A	4a	Keypad, Main	EAC0010K01A
3	Board, Function Keys	EAP0034K00B	5	Switch, Power	29658

STANDARD LEADS



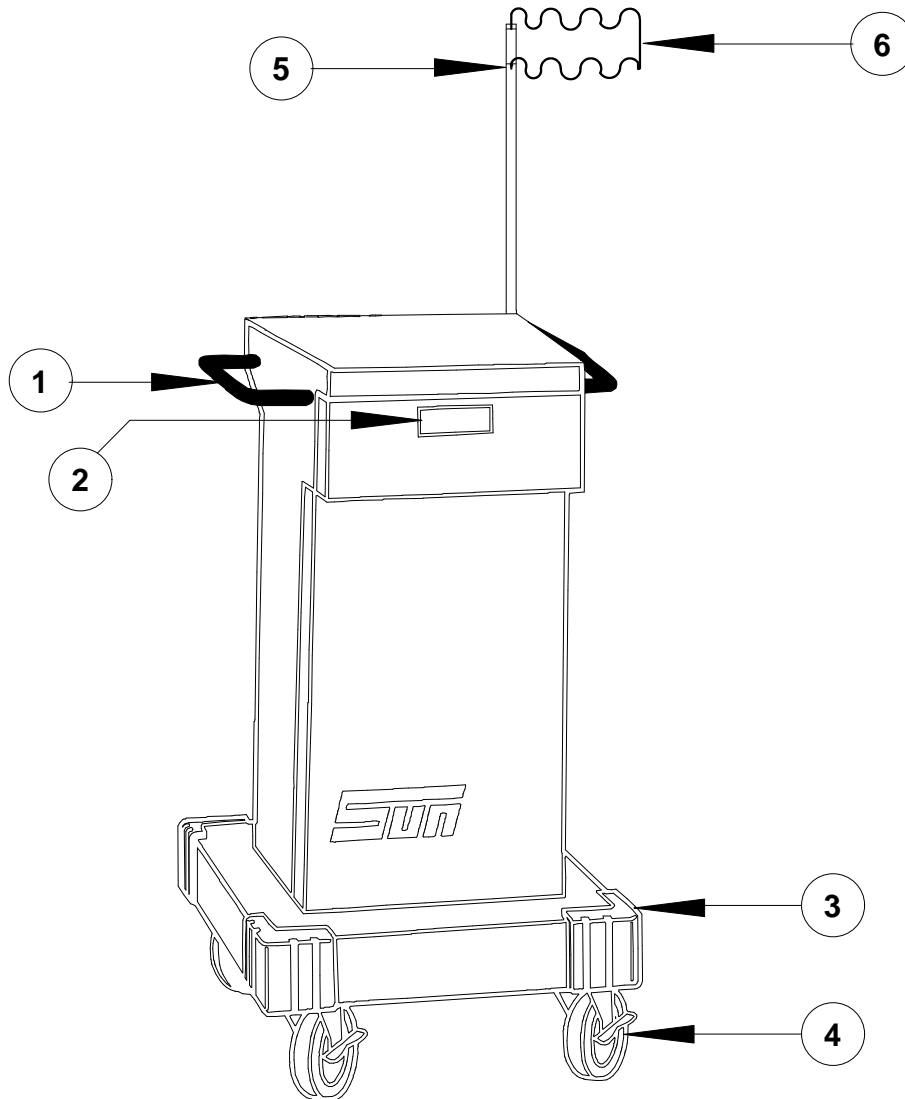
ITEM	DESCRIPTION	PART NUMBER	ITEM	DESCRIPTION	PART NUMBER
1	Lead Assembly, Secondary	MT3000320	6	Lead Assembly, Main	MT3000A200
2	Lead Assembly, 12 volt Power	MT3000210A	7	Ring, Connector Coupling, Small	213248
3	Adapter, GM HEI	MT3000300A	8	Ring, Connector Coupling, Medium	213348
4	Lead Assembly, Trigger	MT60A08A	9	Ring, Connector Coupling, Large	213448
4a	Core, I	71204			
4b	Core, U	7104			
5	Lead Assembly, Lab	MT3000230			

OPTIONAL LEADS AND ACCESSORIES



ITEM	DESCRIPTION	PART NUMBER	ITEM	DESCRIPTION	PART NUMBER
1	Probe, Amps	MT3000410AM	8	Adapter, Bosch FI	MT166570
2	Probe, Power Balance	MT3000420AM	9	Adapter, GM Quad 4	YA3601A
3	Adapter, Coil, GM Micropak	0552-0045	10	Pickup, DI	MT1658200B
4	Adapter, Coil, Toyota	MT3000330	11	Adapter, GM External Coil	0552-0044
5	Leads, DI Expander Set	MT3000341A	12	Adapter, Coil, Honda	MT3000310B
6	Pickup, DI Pickup Assembly	MT3000345A	13	Power Supply, AC	EETA105A
7	Probe, Vacuum	MT3000400B	14	Prope, Low Amps	MT3000A440M

EKR104A ROLL STAND AND EKR106A LEADSET BOOM



ITEM	DESCRIPTION	PART NUMBER	ITEM	DESCRIPTION	PART NUMBER
1	Handle, Side	EASC045A09A	5	Clamp, Hose	1-1682
2	Handle, Drawer and Door	8-6533	6	Form, Wire	EASE047K90A
3	Bumper	EACO010K09A	N/S	Catch, Magnetic	8-2142
4	Caster, Swivel with Brake	8-17039	N/S	Slide, Drawer	8-570

SST-1500 PARTS IN ALPHABETICAL ORDER

DESCRIPTION	PART NUMBER	COMMENTS
Adapter, Backprobe Set (3)	MT3000430AS	3 Connectors used for "back-probing"
Adapter, Bosch® Fuel Injector	MT166570	Bosch® Fuel Injector Adapter
Adapter, Coil, Ford®, TFI	0552-0043	Adapter for Ford® TFI coil adapter
Adapter, Coil, GM® Micropak®	0552-0045	Provides connections to primary of Micropak® ignition systems
Adapter, Coil, GM®, External	0552-0044	Coil Adapter, GM®, External connections
Adapter, Coil, GM®, Ford®	YA859A	Coil Adapter Set, GM® and Ford®
Adapter, Coil, Honda®	MT3000310B	Secondary pickup for Honda® ignition systems
Adapter, Coil, Toyota®, Chevrolet®, Nova® IIA	MT3000330	Coil Adapter for Toyota®, Chevrolet®, Nova® IIA, requires calibration, see chapter 3
Adapter, GM® TBI	MT166560	Adapter for GM® TBI systems
Adapter, HEI	MT3000300A	GM HEI pattern pickup with lead connector
Bezel, Front Panel	EAC0010K00A	
Board, Analog	MT3000A1100	Analog processing and calibration
Board, Backplane	EAP0007K00A	
Board, Function Key	EAP0034K00B	Function selects
Board, Input Digital	EAP0044K00A	Main CPU functions
Board, Input Protection	MT3000A1800	
Board, Main Key	EAP0031K00A	Main functions
Board, Menu Key	EAP0033K00A	Menu functions
Board, Power Supply	MT3000A1700A	
Board, Video Display	EAP0045K00A	
Bumper	EACO010K09A	Roll Stand
Caster, Swivel with Brake	8-17039	Roll Stand
Catch, Magnetic	8-2142	Roll Stand
Circuit Breaker, 3 Amp	28751	Ground Fault Breaker
Circuit Breaker, 8 Amp	211251	Main Breaker
Clamp, Hose	1-1682	Boom
Connector, 12 VDC	212748	3 Pin connector at back of tester
Core, I	71204	For MT60A08A
Core, U	7104	For MT60A08A
Fuse, 32 VDC, 20 Amp	210551	Backup for 8 Amp Breaker
Fuse Holder	210951	
Handle, Drawer and Door	EASC045A09A	For Roll Stand
Handle, Grip	EAA0064K00A	
Handle, Side		
Harness, Ignition System Diagnostic Harness	YA3601	For GM® Integrated Direct Ignition (IDI) System
Keypad, Function	EAC0010K02A	Rubber keys for Function Keyboard
Keypad, Main	EAC0010K01A	Rubber keys for Main Keyboard
Keypad, Menu	EAC0010K03A	Rubber keys for Menu Keyboard
Knob, Brightness	MT30005A	
Lead Assembly, +12 VDC Power	MT3000210A	Power Lead-in from battery
Lead Assembly, Lab Scope	MT3000230	Single, red clip lead
Lead Assembly, Main	MT3000A200	Main lead assembly, connected at rear of tester
Lead Assembly, Secondary	MT3000320	Secondary pattern pickup
Lead Assembly, Trigger	MT60A08A	#1 Cylinder pickup for Triggering
Lead, DI Lead Expander	MT3000341A	Allows testing of ten cylinder engines
Leads, Jumper	MT30124	24" jumper leads
Monitor Assembly	EAA0061K00A	Pre-adjusted monitor assembly, Driver Board and CRT Assembly are included as a set
Mounts, Rubber	87018	Rubber feet of tester
Pickup, DI Pickup Assembly	MT3000340A	Secondary pickup for distributorless ignitions
Pliers, Spark Plug Boot Pliers	YA824B	Nonconductive Pliers for removing Spark Plug

DESCRIPTION	PART NUMBER	COMMENTS
		Boots

SST-1500 PARTS IN ALPHABETICAL ORDER CONTINUED...

DESCRIPTION	PART NUMBER	COMMENTS
POT, Brightness	MT300016A	Includes Cable
Power Supply, AC	EETA105A	Adapts tester to be powered by standard AC power, (90 - 264 VAC, 50/60 Hz)
Probe, Amps	MT3000410AM	Reads high Amps
Probe, Amps, Basic	MT3000410A	Inductive Amps Probe for tester, requires calibration, see chapter 8
Probe, Amps, Low	MT3000A440M	Reads a lower level of current flow
Probe, Power Balance	MT3000420AM	Used for cylinder analysis
Probe, Vacuum	MT3000400B	Vacuum sensor, no calibration
Remote Control	EERC101A	Infra Red remote control
Ring, Connector Coupling, Large	213448	Coupling ring for Main Lead Assembly at rear of tester
Ring, Connector Coupling, Medium	213348	Coupling ring for Auxiliary Connector
Ring, Connector Coupling, Small	213248	Coupling ring for #1 Plug Connector and Secondary Pickup Connector
Slide, Drawer	8-570	Roll Stand
Switch, On/Off	29658	Main Power Switch
Wire Form	EASE047K90A	Boom

SST-1500 PARTS IN NUMERICAL ORDER

PART NUMBER	DESCRIPTION	COMMENTS
0552-0043	Adapter, Coil, Ford®, TFI	Adapter for Ford® TFI coil adapter
0552-0044	Adapter, Coil, GM®, External	Coil Adapter, GM®, External connections
0552-0045	Adapter, Coil, GM® Micropak®	Provides connections to primary of Micropak® ignition systems
1-1682	Clamp, Hose	Boom
210551	Fuse, 12 vdc, 20 Amp	Backup for 8 Amp Breaker, (inside tester)
210951	Fuseholder, 12 VDC	Fuseholder, (inside tester)
211251	Circuit Breaker, 8 Amp	Main Breaker, (rear of unit)
212748	Connector, 12 VDC	3 Pin connector at back of tester
213248	Ring, Connector Coupling, Small	Coupling ring for #1 Plug Connector and Secondary Pickup Connector
213348	Ring, Connector Coupling, Medium	Coupling ring for Auxiliary Connector
213448	Ring, Connector Coupling, Large	Coupling ring for Main Lead Set at rear of tester
28751	Circuit Breaker, 3 Amp	Ground Fault Breaker, mounted at rear of tester
29658	Switch, On/Off	Main Power Switch, mounted lower right on Bezel
7104	Core, U	For MT60A08A
71204	Core, I	For MT60A08A
8-17039	Caster, Swivel with Brake	Roll Stand
8-2142	Catch, Magnetic	Roll Stand
8-570	Slide, Drawer	Roll Stand
8-6533	Handle, Drawer and Door	Roll Stand
87018	Mounts, Rubber	Rubber feet of tester
EAA0061K00A	Monitor Assembly	Pre-adjusted monitor assembly, NO ADJUSTMENTS NEEDED. Driver Board and CRT Assembly are included as a set.
EAA0064K00A	Handle, Grip	
EAC0010K00A	Bezel, Front Panel	
EAC0010K01A	Keypad, Main	Rubber key for Main Keyboard
EAC0010K02A	Overlay, Key, Function	Rubber keys for Function Keyboard
EAC0010K03A	Overlay, Key, Menu	Rubber keys for Menu Keyboard
EAC0010K09A	Bumper	Roll Stand
EAP0007K00A	Board, Backplane	
EAP0031k00A	Board, Main Keys	Main functions
EAP0033K00A	Board, Menu Keys	Menu functions
EAP0034K00B	Board, Function Keys	Function selects
EAP0044K00A	Board, Input Digital	Main CPU functions
EAP0045K00A	Board, Video Display	
EASC045A09A	Handle, Side	Roll Stand
EASE047K90A	Wire Form	Boom
EERC101A	Remote Control	Infra Red remote control
EETA105A	Power Supply, AC	Adapts tester to be powered by standard AC power, (90 - 264 VAC, 50/60 Hz)
MT166560	Adapter, GM® TBI	Adapter for GM® TBI systems
MT166570	Adapter, Bosch® Fuel Injector	Bosch® Fuel Injector Adapter
MT300016A	POT, Brightness	Mounted mid-left, rear of Bezel
MT3000210A	Lead, 12 VDC Power	Power Lead-in from battery
MT3000230	Lead Assembly, Lab Scope	Single, red clip lead
MT3000300A	HEI Lead Assembly, GM	HEI pattern pickup - with lead connector
MT3000310B	Adapter, Coil, Honda®	Secondary pickup for Honda® ignition systems
MT3000320	Lead Assembly, Secondary	Secondary, (red), pattern pickup, connects to SECONDARY, (J4), of Main Connector
MT3000330	Adapter, Coil, Toyota®, Chevrolet®, Nova® IIA	Coil Adapter for Toyota®, Chevrolet®, Nova® IIA, requires calibration, see chapter 3.
MT3000340A	Pickup, DI Pickup Assembly	Secondary pickup for distributorless ignitions

Effective

1/97

SST-1500 PARTS IN NUMERICAL ORDER CONTINUED...

PART NUMBER	DESCRIPTION	COMMENTS
MT3000341A	Lead, DI Lead Expander	Allows testing of ten cylinder engines
MT3000400B	Probe, Vacuum	Vacuum sensor, no calibration
MT3000410AM	Probe, Amps, Basic	Inductive Amps Probe for tester, requires calibration, see chapter 8.
MT3000420AM	Probe, Power Balance	Used for cylinder analysis
MT3000430AS	Adapter, Backprobe Set (3)	3 Connectors used for "back-probing".
MT30005A	Knob, Brightness	Mounted mid-left, front of Bezel
MT3000A1100	Board, Analog	Analog Processing and Calibration
MT3000A440M	Probe, Low Amps	Inductive Low Amps Probe for tester, requires calibration, see chapter 8.
MT3000A1700A	Board, Power Supply	+5 vdc, +/-12 vdc
MT3000A1800	Board, Input Protection	
MT3000A200	Lead Assembly, Main	Main cable, connected at rear of tester
MT30124	Leads, Jumper	24" jumper leads
MT60A08A	Lead Assembly, Trigger	#1 Cylinder feed for Triggering
YA3601	Harness, Ignition System Diagnostic Harness	For GM® Integrated Direct Ignition (IDI) System
YA824B	Pliers, Spark Plug Boot Pliers	Nonconductive Pliers for removing Spark Plug Boots
YA859A	Adapter, Coil, GM®, Ford®	Coil Adapter Set, GM® and Ford®