



CHAPTER 16

PARTS

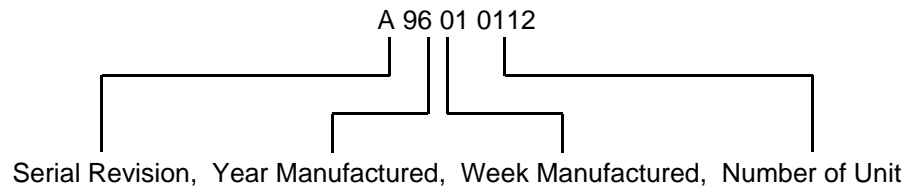
GENERAL

This chapter describes assemblies, subassemblies, and parts considered replaceable at on-site field installations.

Serial number location; in the rear lower left, below shroud.

Serial Number breakdown is as follows:

Example:



NOTE: The Sun Machine 400 circuit boards are not being purchased pre-configured. The configuration of all circuit boards must be checked before placement into the unit. Refer to Configuration Manual.

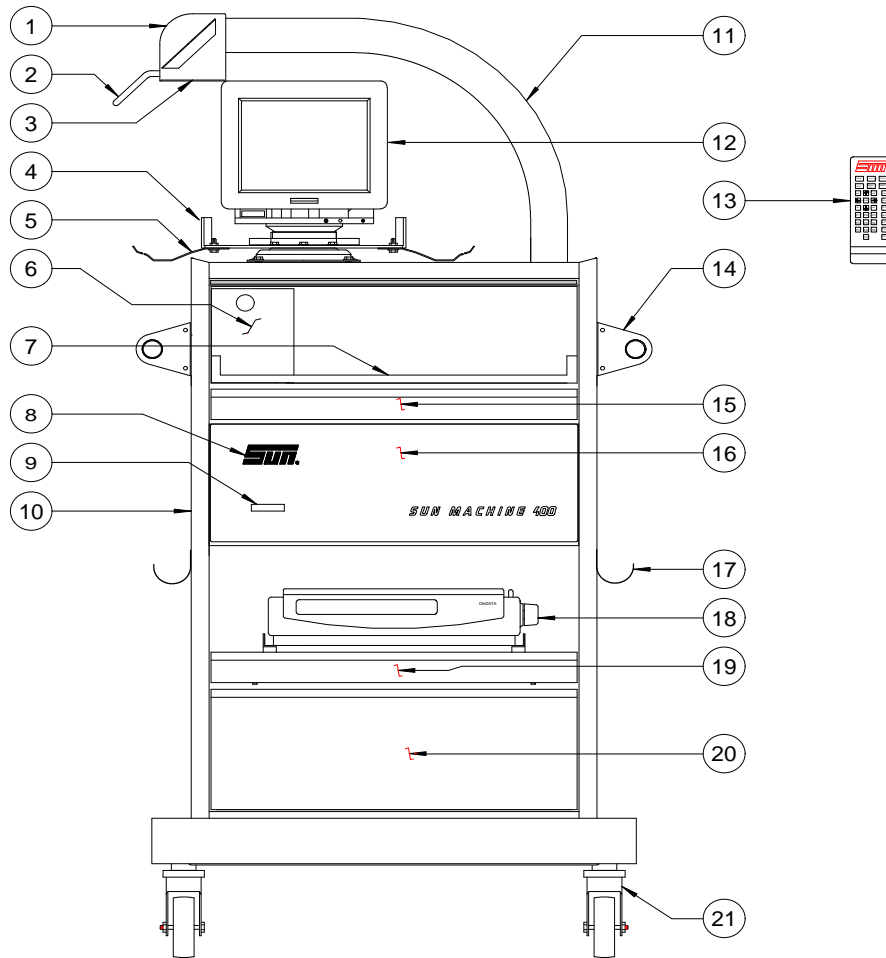
NOTE: Within the parts descriptions there are two abbreviations that are being used; one of them is WA = Weld Assembly the other is WH = Wiring Harness. The WH Numbers are for service reference only.

NOTE: Some of the listed parts are optional or part of an optional kit and are not shown in the parts by pictorial pages.

NOTE: If a part is listed as a production item, it is not available in CO stock. Production items may not be shown in the parts by pictorial pages.

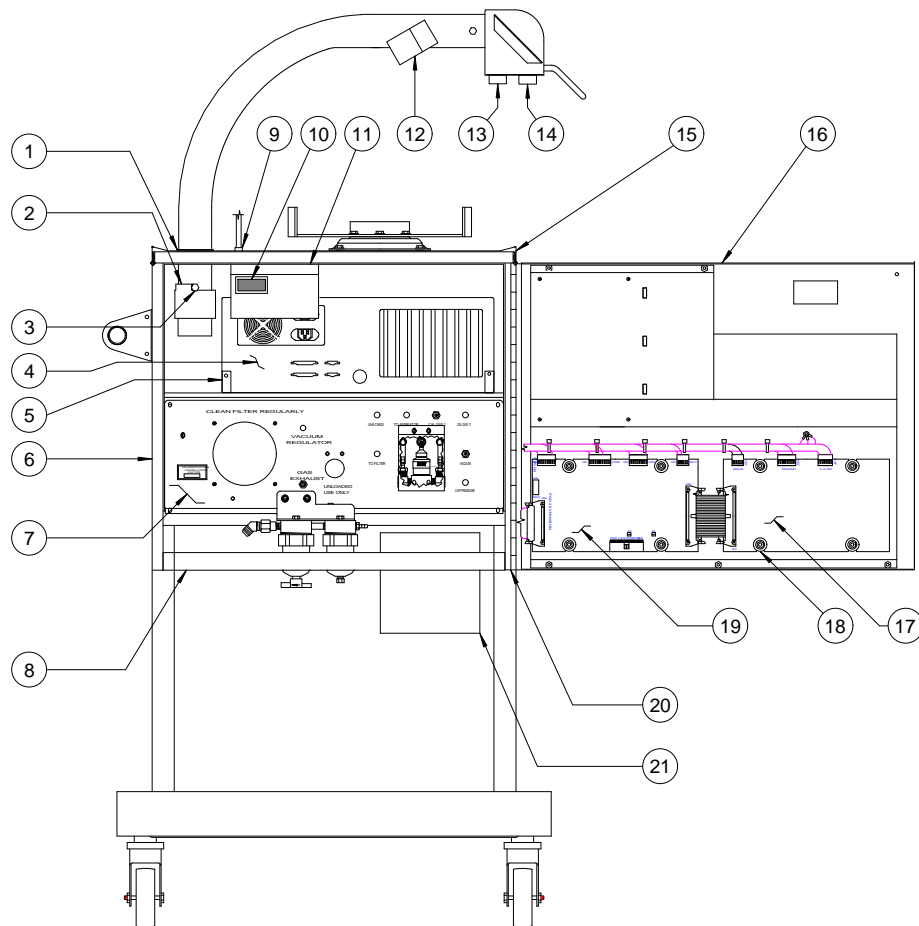
PARTS BY PICTORIAL

FRONT VIEW



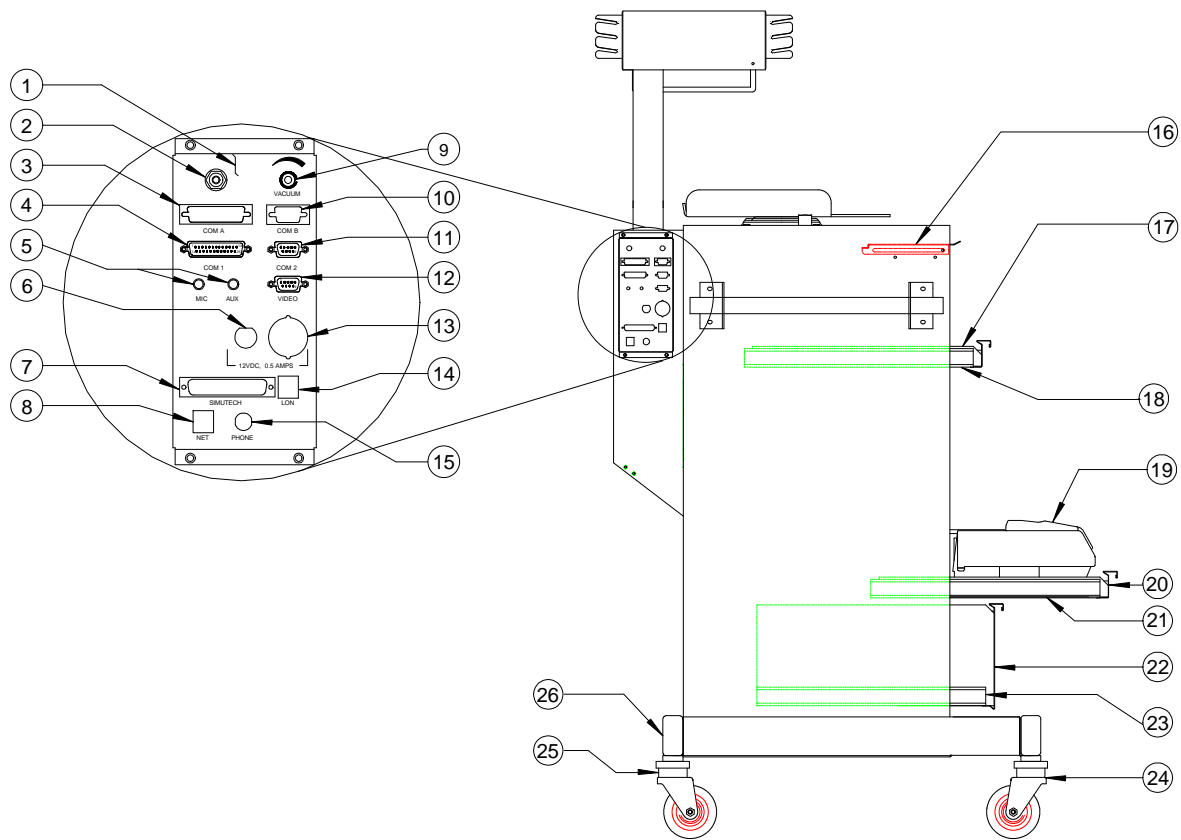
Item	Part Number	Description	Item	Part Number	Description
1	EASC094L60A	WA, Boom Housing	13	EERC102A	Remote Control, Opt
2	EASC029C87A	Hanger, Boom, Cable	14	EASC094L80A	WA, Handle
3	EASC094L07A	Plate, Connector, Boom	15	EASC094L45A	WA, Keyboard/Printer Tray
4a	EASC090L20A	Plate, Monitor	16	EASC063C82A	Cover, Front
4b	7024-1000-01	Swivel, Barstool	17	2161-0023	Hanger, Test Lead
5	0424-0806-02	Velcro, Strap Hook & Loop	18a	0528-0032-01	Printer (OKI 390 110V)
6	EASC094L01A	WA, Bracket, Remote	18b	0528-0032-02	Printer (OKI 390 220V)
7a	EASC094L90A	WA, Computer Drawer	19a	EASC094L45A	WA, Keyboard/Printer Tray
7b	8180	Drawer Slide, Ball (L & R)	19b	EASC094L40A	WA, Printer Tray
8	EAL0220C00B	Label, Unit	20	EASC094L95A	WA, Storage Drawer "B"
9	EASP064C01A	Cover, Calibration Pots	21a	3645-0045-02	Caster ^w /Brake
10	EASB063C02A	WA, Case	21b	3645-0045-01	Caster ^w /o Brake
11	EASC094L11A	Tube, Boom	NS	0528-0031-01	Printer (OKI LED 110V)
12a	0859-0471-01	Monitor, SVGA, 14"	NS	0528-0031-04	Printer (OKI LED 220V)
12b	0859-0472-01	Monitor, SVGA, 15", Opt	NS	0424-0804-01	Velcro, Loop 5/8" (Monitor)
12c	0859-0473-01	Monitor, SVGA, 17". Opt	NS	0424-0804-02	Velcro, Hook 5/8" (Monitor)

REAR VIEW



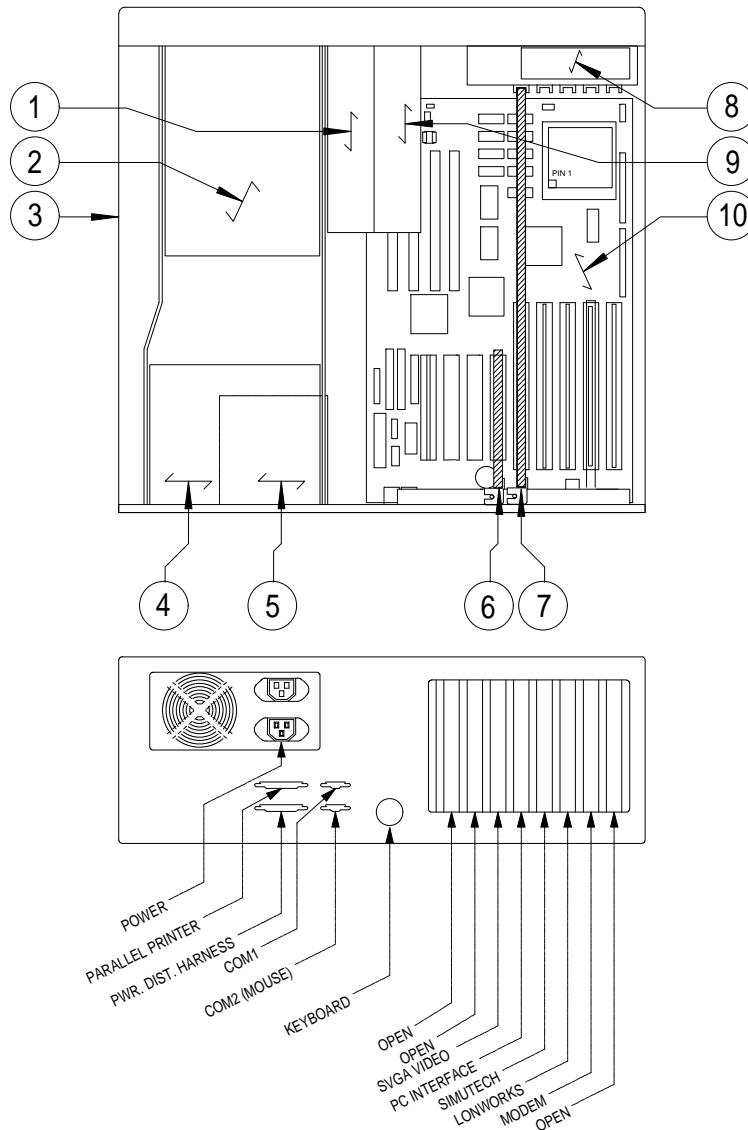
Item	Part Number	Description	Item	Part Number	Description
1	3807-0003-03	Grommet, Boom, Ex	12	EASC094L13A	WA, Holder Timing Light
2	EASC094L70A	WA, Boom Journal	13	EAP0125L00A	PCB, Adapto Interface
3	EAA0176L01A	Bearing, Teflon, Boom	14	7001-2214-03	PCB, Pod Input
4	See Page 16-5	Computer Assembly	15	EASC094L03A	WA, Cover, Top Rear
5	EAS0025C00A	Bracket, Rear, Computer	16a	EASC094L20A	WA, Door Rear
6	EASC094L31A	WA, Cover, Rear Left Side	16b	EASC094L05A	WA, PCB Mounting Panel
7	See Page 16-7	IR Drawer (Back View)	17	7001-2306-01	PCB, SMT, Analog
8	EASC094L02A	WA, Brace Rear Cover	18	0561-0147-01	Shock Mount, Rubber, Blue
9	2035-0009	Bushing, Heyco 1237	19a	7001-2305-01	PCB, SMT, Digital
10a	1922-0116-21	Circuit Breaker 10A (110V)	19b	0773-2071-12	IC, Microprocessor, Prog
10b	1922-0116-18	Circuit Breaker 5A (220V)	20	EASC094L04A	WA, Cover, Rear Right Side
11a	EASC063C45A	WA, Terminal Box Cover	21	0682-0807-01	Label, Filter Maintenance
11b	7008-0318	PCB, Terminal Board	NS	0682-1001-01	Label, Caution/Warning
11c	7031-0180	PCB, Insulator Board	NS	EAL0144C00A	Label, Warning

SIDE VIEW (RIGHT SIDE)



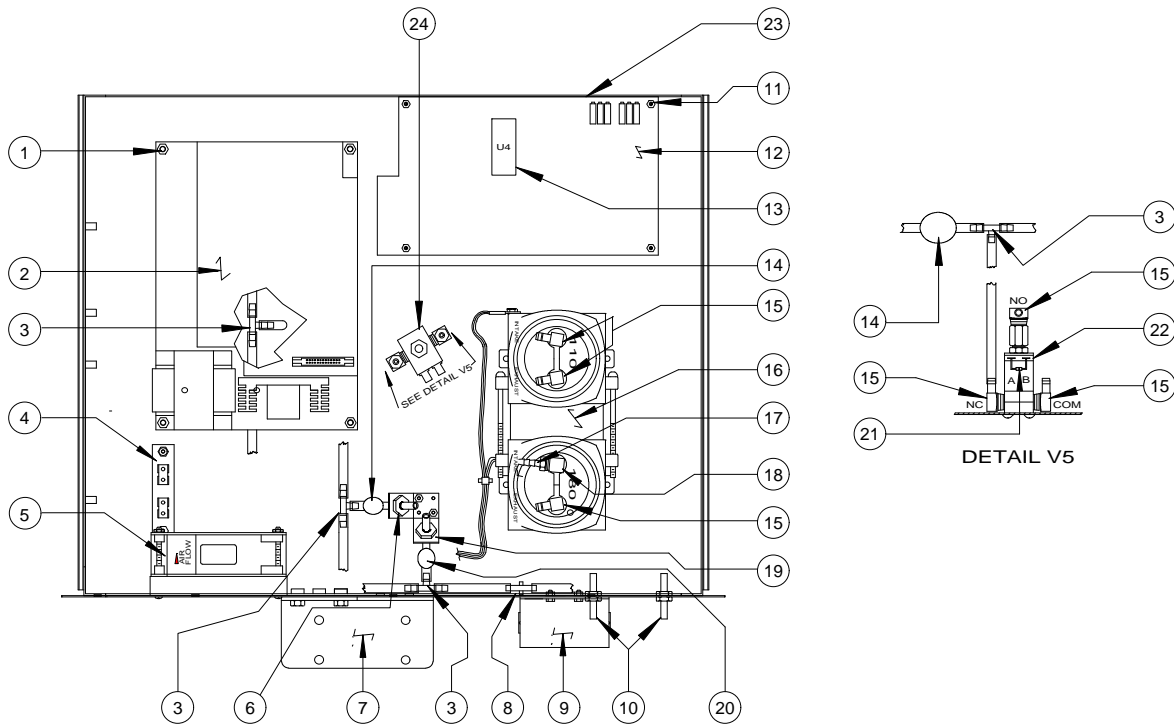
Item	Part Number	Description	Item	Part Number	Description
1	EASC094L09A	Plate, Side Connector	13a	1374-0118-01	Plug, Button 1 1/8"
2a	1374-0107	Plug, Button	13b	7076-0690-01	WH, 12V Receptacle, Opt Kit
2b	2209	Nipple, Opt Vacuum	14	4162-7113-01	Coupler, In-Line
3	7014-1108-01	Cover, DB25	15	12376	Plug, Double "D"
4	6004-0576-05	WH, Serial Interface (COM 1)	16a	EASC063C86A	Cover, Front Computer Door
5	1374-0108	Plug, Button	16b	EAL0217C00A	Label, Remote
6a	1374-0002	Plug Button	17	EASC094L45A	WA, Keyboard/Printer Tray
6b	1922-0112-02	Circuit Breaker Opt 12V Kit	18	8280	Drawer Slide, Ball (L & R)
7	7014-1212-01	Cover, DB37	19a	0528-0032-01	Printer (OKI 390 110V)
8	4162-7113-01	Coupler, In-Line	19b	0528-0032-02	Printer (OKI 390 220V)
9a	1374-0107	Plug, Button	20	EASC094L45A	WA, Keyboard/Printer Tray
9b	7009-1430	Valve Assy, Opt Vacuum	21	8280	Drawer Slide, Ball (L & R)
9c	0758-0206-01	Knob, Opt Vacuum	22	EASC094L95A	WA, Storage Drawer "B"
9d	0758-0195-01	Knob Cap, Opt Vacuum	23	8280	Drawer Slide, Ball (L & R)
10	7014-1109-01	Cover, DB9	24	3645-0045-02	Caster ^W /Brake
11	EAW0089C01A	WH, Serial Interface (COM 2)	25	3645-0045-01	Caster ^W /o Brake
12	EAW0048K00A	WH, Monitor Data	26	EASC094L50A	WA, Pedestal

COMPUTER ASSEMBLY (EAE0021L00A)



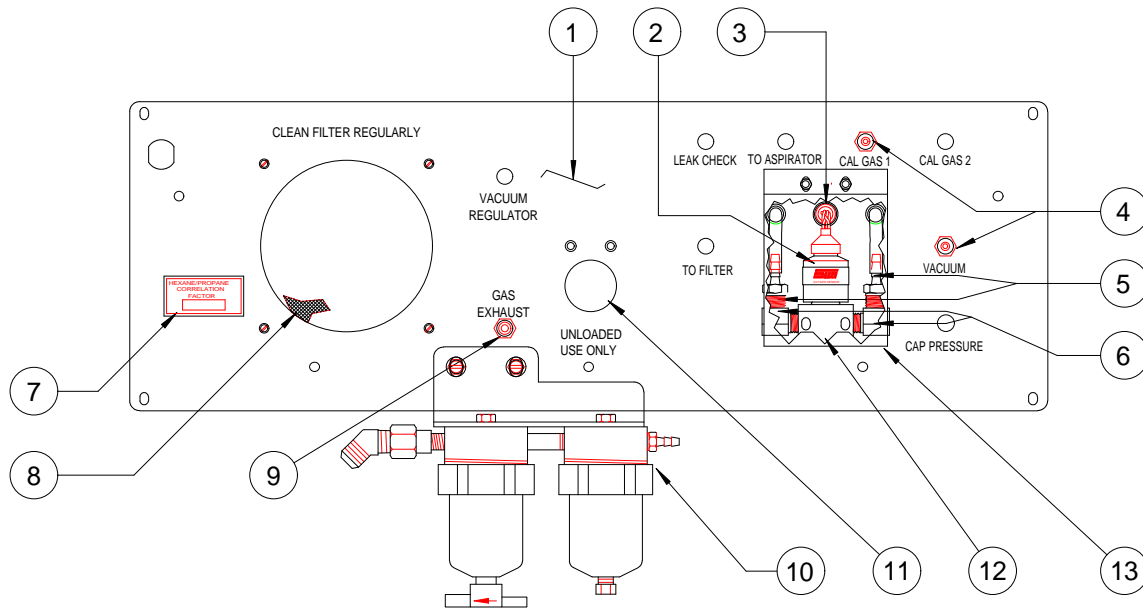
Item	Part Number	Description	Item	Part Number	Description
1	0552-0095-01	Disk Drive, 3 1/2" 1.44Meg	8	EAA0071C41A	Fan, Secondary Computer
2	EAE0015L00B	Disk Drive, CD ROM	9	EAE0014C00A	Disk Drive, Hard IDE 2Gig
3	EAC0038C00A	Case, Computer	10a	EAP0068C01A	PCB, Motherboard
4	0532-0029-02	Power Supply 230 Watts	10b	EAP0145L00A	Memory, RAM 8MB EDO
5	7001-2300-01	PCB, Power Distribution	N/S	0552-0089-01	Mouse, Sejin
6	EAP0146L00A	PCB, Video Card, 2Meg	N/S	0552-0103-01	Mouse Pad, Test Don't...
7	7001-2303-04	PCB, PC Interface Card	N/S	EAE0025L10A	Keyboard, 104 Key

IR DRAWER



Item	Part Number	Description	Item	Part Number	Description
1	0561-0144-01	Shock Mount, Rubber	12	EAP0067C00A	PCB, Emissions Controller
2a	7049-0126-01	Bench, IR 110V	13	0773-2069-10	IC, Prom, Programmed
2b	7049-0127-01	Bench, IR 220V	14	3841-0101	Restrictor, Flow
3	0647-0102	Fitting, Tee	15	0647-0239-01	Adapter, Elbow
4a	7008-0054	PCB, Terminal	16a	7009-2032-02	Pump, Vacuum, 110V
4b	7031-0181	PCB, Term Insulator Brd	16b	7009-2032-03	Pump, Vacuum, 220V
5a	0587-0504	Fan, Axial 110V	17	0647-0070	Adapter, Pipe to Hose
5b	0587-0507-01	Fan, Axial 220V	18	0647-0044	Fitting, Elbow
6	0549-0017	Switch, Leak Check	19	0549-0019-02	Switch, Low Flow
7	See Page 16-8		20	3841-0101-05	Restrictor, Flow
8	3841-0111-01	Restrictor, Flow	21	7009-1486-03	Assembly, Diode
9	7014-1183-01	Cover, O2 Block	22	0304-0044-01	Valve, Solenoid 3-Way
10	2209	Fitting, Nipple	23	EASC029C20A	WA, IR Drawer
11	0429-0037-04	Spacer, Hex M/F #4-40	24	See Detail V5	

IR DRAWER (BACK VIEW)

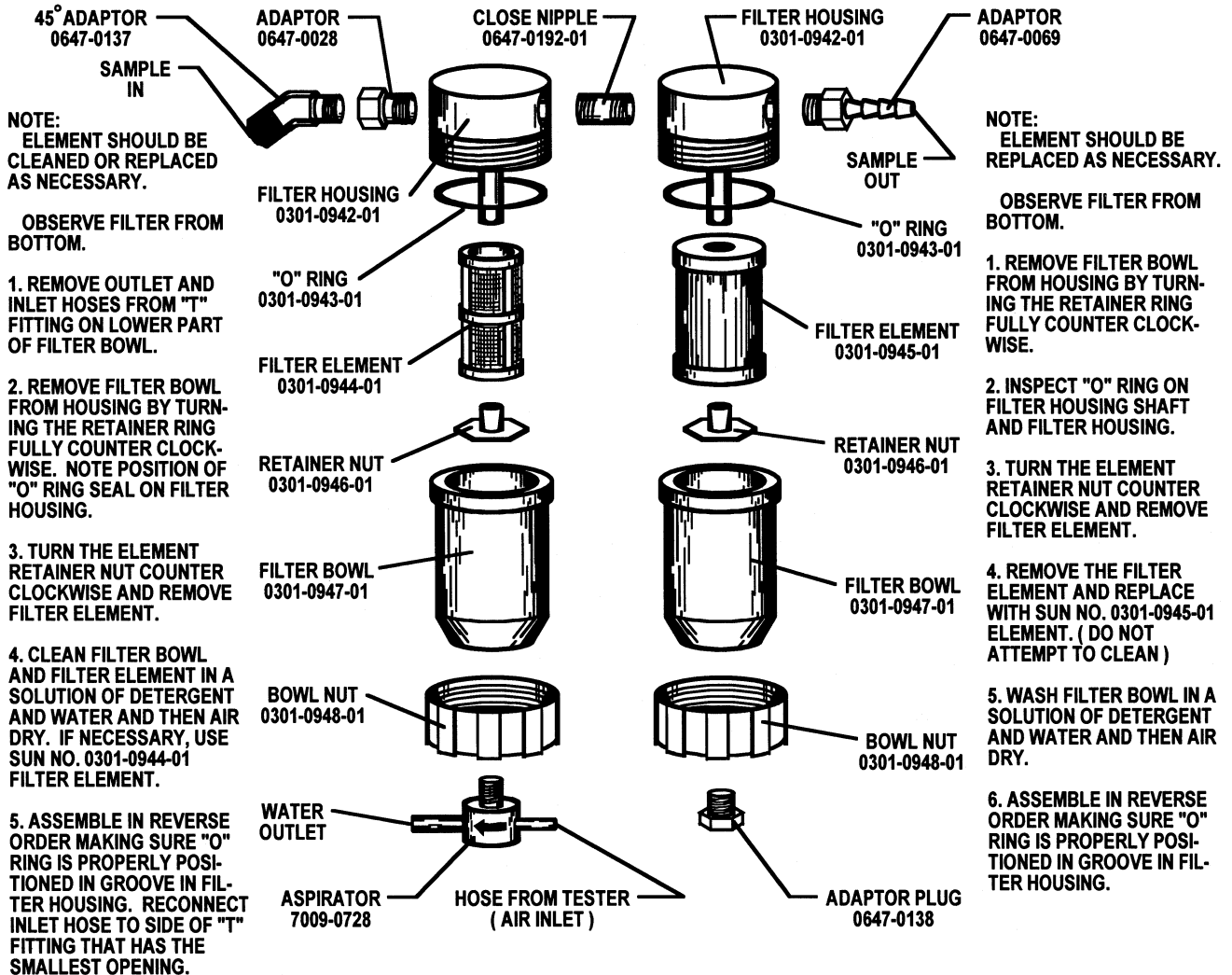


Item	Part Number	Description	Item	Part Number	Description
1	EASY029C22A	WA, IR Back Panel Screened	8	0301-0126	Filter, Air
2	7049-0004-01	Sensor, Oxygen	9	7024-0325	Fitting Exhaust Port
3	0501-0003	Grommet	10	See Page 16-8	Filter Assembly
4	2209	Nipple	11	1374-0102	Plug, Button
5	0647-0073	Adapter, Pipe to Hose	12	7002-0261-01	Block, Oxygen Sensor
6	0647-0083	Fitting	13	7014-1183-01	Cover, Oxygen Sensor
7	4600-0183	Label, Correlation			

FILTER ASSEMBLY

FILTER MAINTENANCE

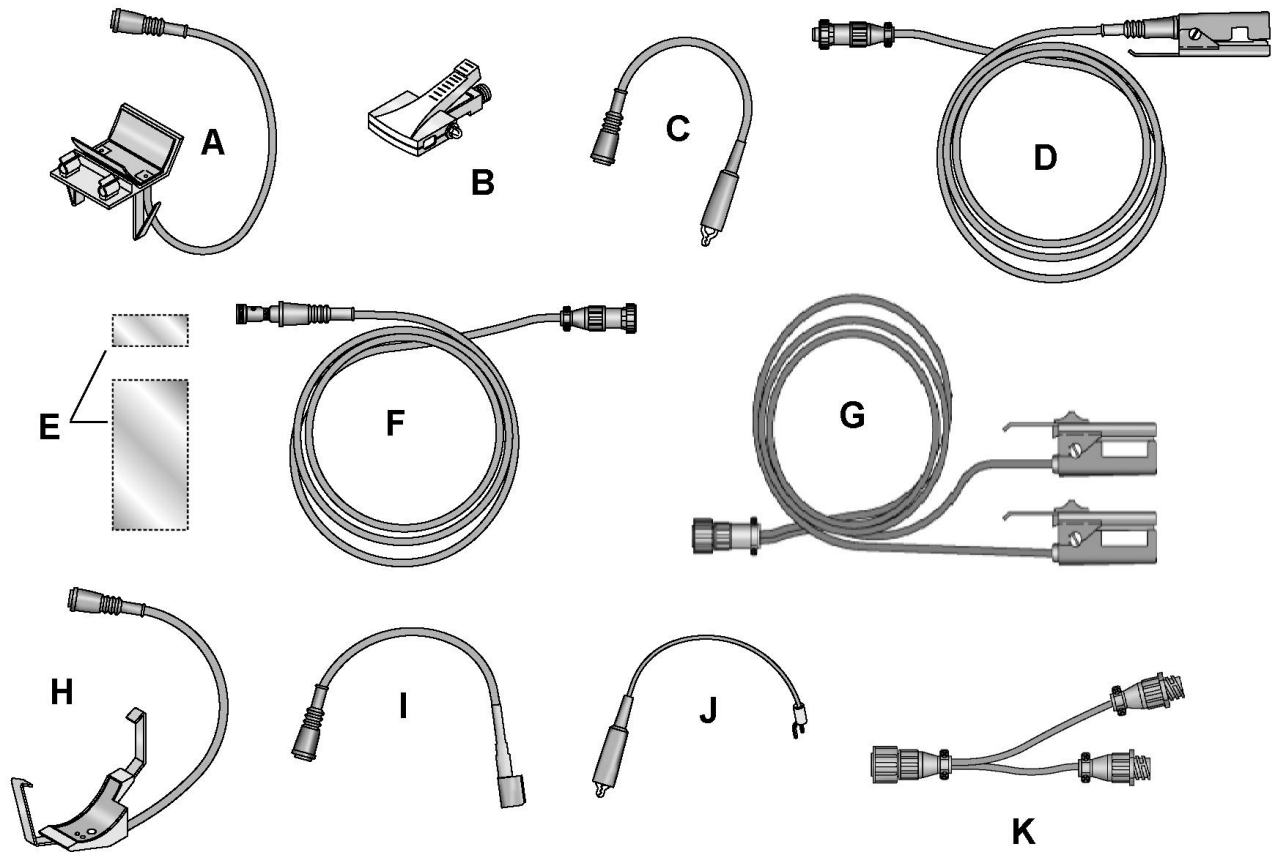
WHEN THE "LOW FLOW CHECK FILTER" WARNING LIGHT COMES ON DURING VEHICLE TESTING, THE SAMPLE FILTERS MUST BE SERVICED. WHEN SERVICING FILTERS BE SURE THAT ALL SEALS ARE PROPERLY POSITIONED, AND THE UNITS ARE RE-ASSEMBLED SNUGLY, TO ELIMINATE THE POSSIBILITY OF OUTSIDE AIR BEING DRAWN INTO THE ANALYZER DURING VEHICLE TESTS.



PRIMARY FILTER ASSEMBLY
75 MICRONS
0301-0136-01

SECONDARY FILTER ASSEMBLY
8 MICRONS
0301-0135-01

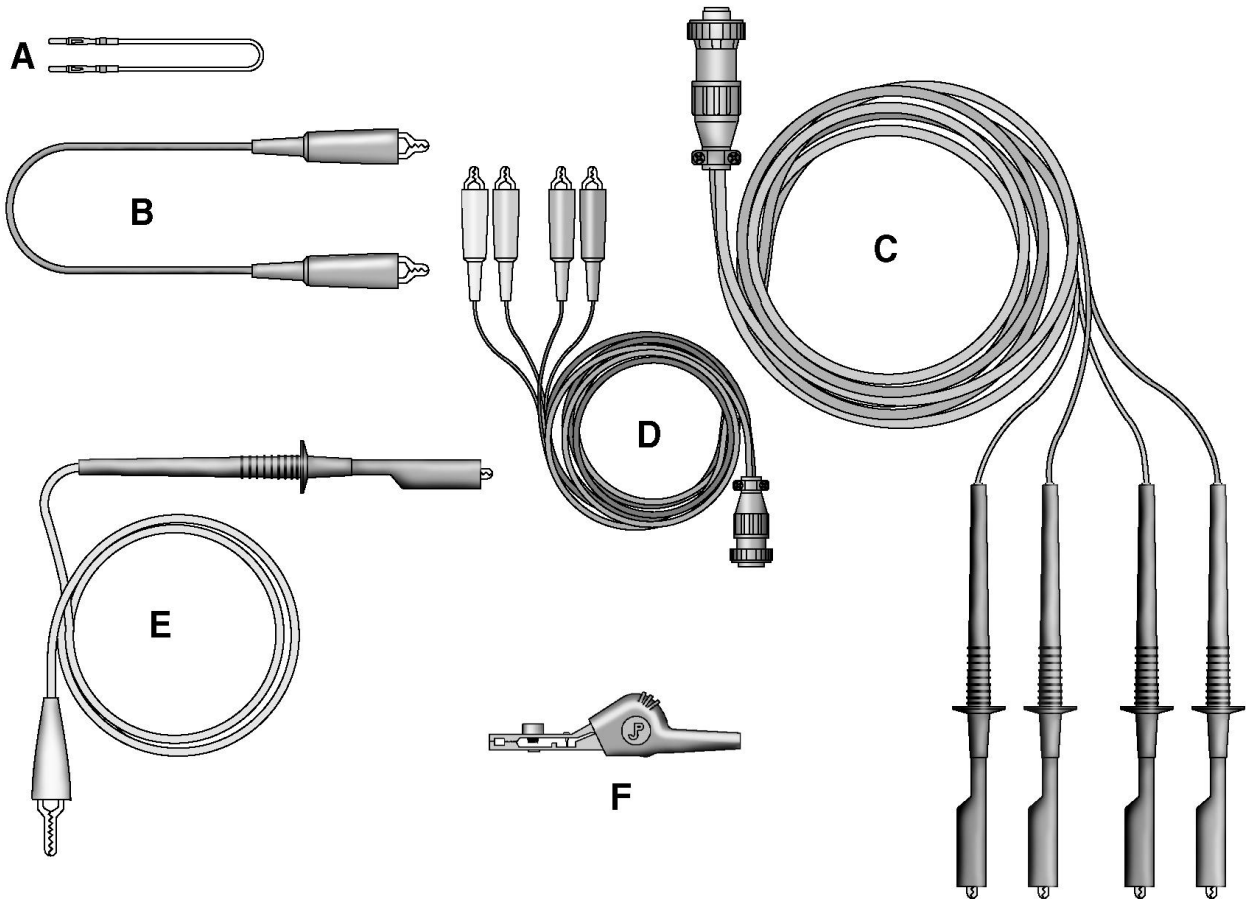
LEADS & ACCESSORIES



Item	Part Number	Description	Item	Part Number	Description
A	1747-0102	GM HEI Pickup	G	6004-0544-02	DIS Pickup Assembly
B	1747-0101	Chrome Pattern Pickup	H	1747-0103	Toyota HEI Pickup
C	6004-0819-01	Universal Integral Coil Adapter	I	1747-0105	Ignition Adapter (See Note)
D	7009-2325-02	Trigger Lead (Red)	J	6002-0355	Primary Lead (See Note)
E	0682-1049-01	Conductive Stickers	K	6004-0775-02	DIS "Y" Adapter
F	6004-0763-02	Secondary Lead (Blue)			

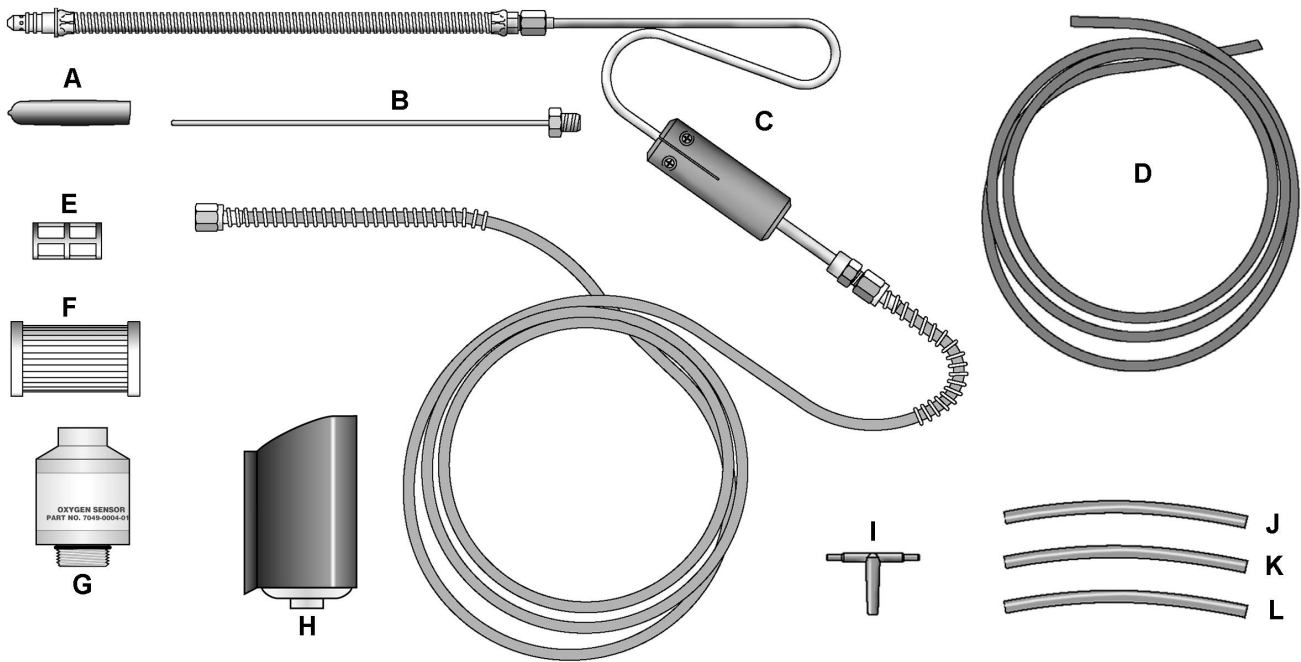
NOTE: Part number 1747-0105 and 6002-0355 is contained in the Isuzu/Spectrum/Civic/Integra Ignition Adapter Kit 0120-0544.

LEADS & ACCESSORIES CONTINUED



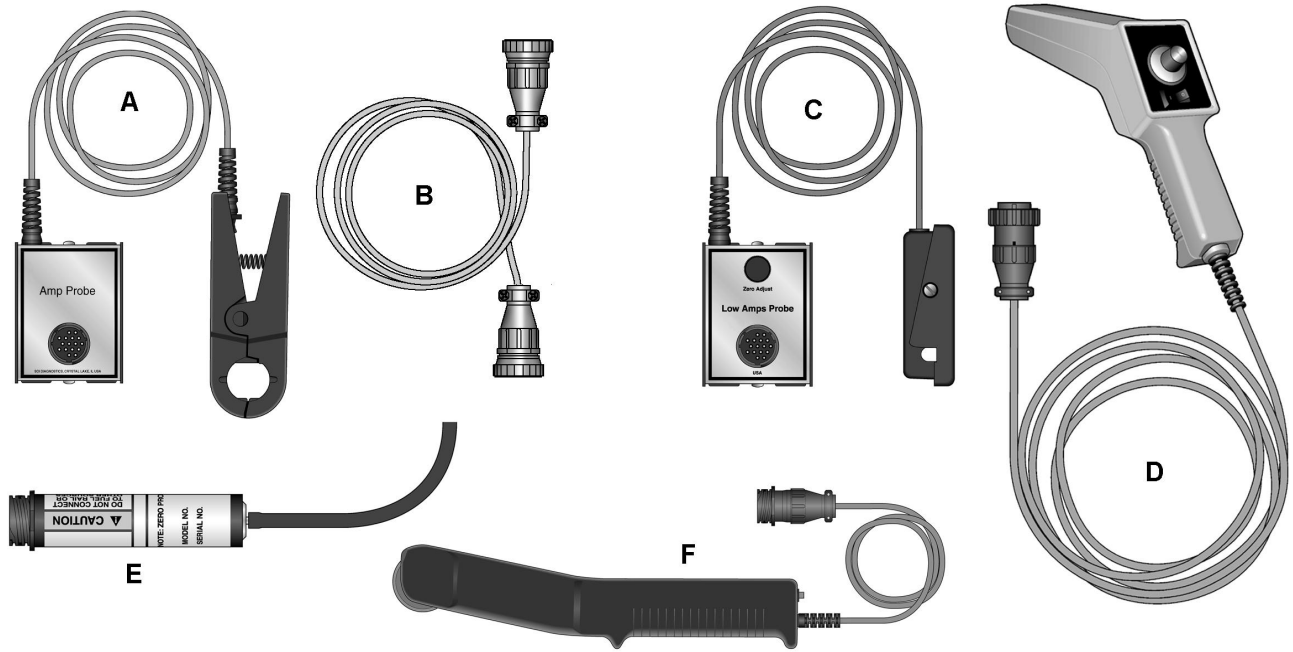
Item	Part Number	Description	Item	Part Number	Description
A	6002-0349	Jumper Wire (Spade Term)	D	6005-0182-02	Test Lead (Primary/Battery)
B	0002-0133-15	Jumper Wire (Red)	E	6002-0346	Jumper Wire ^W / Probe
C	EAW0058C00A	Test Lead, Volt Ohm	F	0672-0035-01	Test Clip, Wire Piercing

LEADS & ACCESSORIES Continued



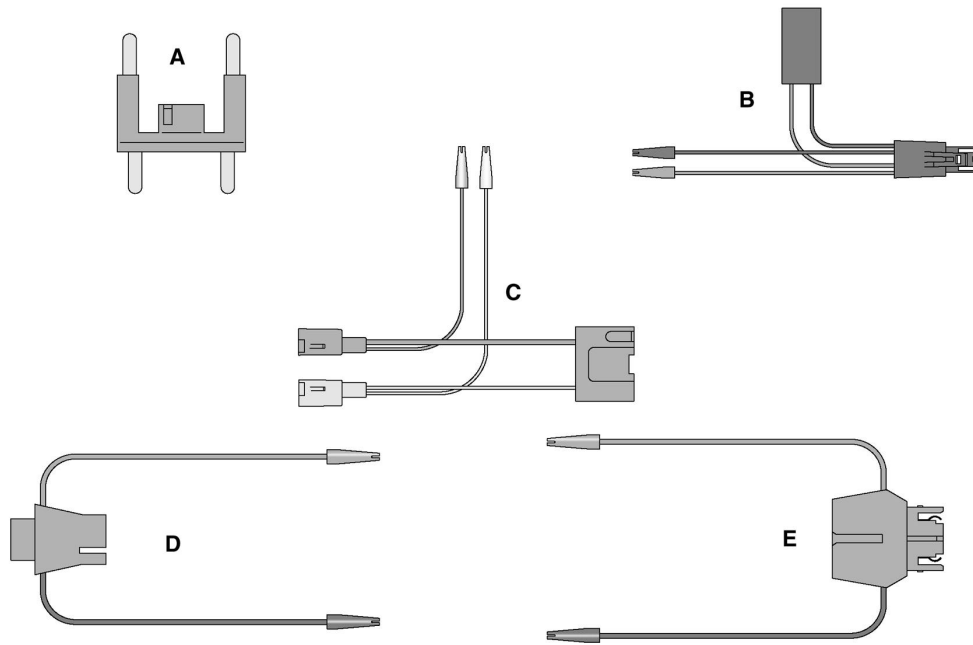
Item	Part Number	Description	Item	Part Number	Description
A	0787-0035	Cap, Exhaust Probe	G	7049-0004-01	Sensor, Oxygen
B	0507-0025-01	Adapter, Needle Probe	H	0514-0036-01	Transducer, NO
C1	7009-1869-01	Test Lead, Exhaust Probe	I	0647-0170	Adapter, Vacuum Tee
C2	3988-0255-01	Hose, Exhaust	J	0669-0623	Hose, Vacuum. 1/8"x 5/16"x 6"
D	6006-0003-02	Hose, Vacuum	K	0669-0734	Hose, Vacuum. 1/4"x 7/16"x 6"
E	0301-0944-01	Filter Element, 75 Micron	L	0669-0733	Hose, Vacuum. 3/16"x 5/16"x 6"
F	0301-0945-01	Filter Element, 8 Micron			

LEADS & ACCESSORIES CONTINUED



Item	Part Number	Description	Item	Part Number	Description
A	MT3000-410A	High Amps Probe	D	EETL501A	Timing Light
B	EAX0028L00A	Auxiliary Extension Cable	E	MT3000-400B	Vacuum Waveform Probe
C	MT3000A440	Low Amps Probe	F	MT3000-420A	Power Balance Probe

LEADS & ACCESSORIES CONTINUED



Item	Part Number	Description	Item	Part Number	Description
A	0552-0043	Adapter, Multipurpose Coil	D	0552-0045	Adapter, GM Micropak Coil
B	0552-0120-01	Adapter, Chrysler/Jeep/eagle	E	0552-0074-01	Adapter, Ford E Core
C	0552-0044	Adapter, GM HEI External Coil			

PARTS IN NUMERIC ORDER

PART NUMBER	DESCRIPTION	COMMENTS
0002-0133-15	Test Lead,	Generic Red Jumper
0301-0126	Filter, Air	
0301-0135-01	Filter Assembly, 8 Micron	Secondary
0301-0136-01	Filter Assembly, 75 Micron	Primary
0301-0942-01	Housing Filter	
0301-0943-01	Seal, "O" Ring	
0301-0944-01	Filter Element, 75 Micron	Primary
0301-0945-01	Filter Element, 8 Micron	Secondary
0301-0946-01	Nut, Filter	
0301-0947-01	Filter Bowl	
0301-0948-01	Nut, Filter Bowl	
0304-0035	Valve, Solenoid	Optional, Vacuum Source Kit
0304-0044-01	Valve, Solenoid 3-way	
0424-0804-01	Velcro, Loop, 5/8" wide	
0424-0804-02	Velcro, Hook, 5/8" wide	
0424-0806-02	Velcro, Strap Hook and Loop	Monitor
0429-0037-04	Spacer, Hex M/F #4-40	Emissions Board
0501-0003	Grommet	
0507-0025-01	Adapter, Needle Probe	Optional Accessory
0514-0036-01	Transducer, NO	Optional, NOx Kit
0528-0031-01	Printer (115V), Okidata LED Printer	Optional Accessory
0528-0031-04	Printer (220V), Okidata LED Printer	Optional Accessory, 220V Model
0528-0032-01	Printer (115V), Okidata 390 Turbo, 24 Pin	
0528-0032-02	Printer (220V), Okidata 390 Turbo, 24 Pin	Used in 220V Model
0532-0029-02	Power Supply 230 Watt	
0549-0017	Switch, Leak Check	
0549-0019-02	Switch, Low Flow	
0552-0043	Adapter, Thexton, Multipurpose Coil	Optional Accessory
0552-0044	Adapter, Thexton, GM HEI External Coil	Optional Accessory
0552-0045	Adapter, Thexton, GM Micropak Coil	Optional Accessory
0552-0074-01	Adapter, Thexton, Ford E Core	Optional Accessory
0552-0089-01	Mouse, 3 Button (White)	
0552-0095-01	Disk Drive, 3 1/2" Floppy 1.44Meg	
0552-0103-01	Mouse Pad	Test...Don't Guess
0552-0120-01	Adapter, Thexton	Chry/Jeep/Eagle
0552-3021A01	Operating System (OSR2)	Production Item
0561-0144-01	Shock Mount, Rubber	
0561-0147-01	Shock Mount, Rubber, Blue	
0587-0504	Fan, 115V Axial	
0587-0507-01	Fan, 220V Axial	Used in 220V Model
0647-0028	Adapter	
0647-0044	Fitting, Elbow	
0647-0069	Adapter, Threaded to Hose	
0647-0070	Adapter, Pipe to Hose	
0647-0073	Adapter, Pipe to Hose	
0647-0083	Fitting	
0647-0102	Fitting, Tee	
0647-0137	Adapter, 45 Degrees	
0647-0138	Adapter, Filter Bowl Plug	
0647-0186	Fitting, Tee	Optional, Vacuum Source Kit
0647-0192-01	Fitting, Nipple	1/8", 1-1/2" long
0647-0239-01	Adapter, Elbow	
0669-0220	Tubing, Poly, 1/4	
0669-0229	Tubing, Poly 3/16	

PART NUMBER	DESCRIPTION	COMMENTS
0669-0623	Adapter Hose, Vacuum 1/8"x 5/16"x 6"	Optional Accessory
0669-0733	Adapter Hose, Vacuum 3/16"x 5/16"x 6"	Optional Accessory
0669-0734	Adapter Hose, Vacuum 1/4"x 7/16"x 6"	Optional Accessory
0672-0035-01	Test Lead	Test Clip, Wire Piercing
0682-0807-01	Label, Filter Maintenance	
0682-1001-01	Label, Caution/Warning, UL/CSA	Production Item
0682-1049-01	Test Lead Label, Stickers	Conductive Tape SEC Pattern Pickup
0692-2406-01	Banner, Sun Machine 450	Point of Purchase Kit, Sales Material
0693-1373-02	Sun Book PR	Point of Purchase Kit, Sales Material
0693-2097-01	BIFOLD, Sun Machine	Point of Purchase Kit, Sales Material
0693-2098-01	Poster, Sun Machine	Point of Purchase Kit, Sales Material
0693-2113-02	Disk, Performance Profile	Point of Purchase Kit, Sales Material
0693-2114-01	Poster, Sun Machine	Point of Purchase Kit, Sales Material
0693-2115-01	Ad Slick Book	Point of Purchase Kit, Sales Material
0758-0195-01	Knob, Cap, Plain, Gray	Optional, Vacuum Source Kit
0758-0206-01	Knob	Optional, Vacuum Source Kit
0773-2069-10	IC, Prom, Programmed	Emission Board
0773-2071-12	IC, Microprocessor, Programmed	Digital Board
0787-0035	Cap, Exhaust Probe	Leak Check Adapter
0859-0471-01	Monitor, SVGA	14" Acer
0859-0472-01	Monitor, SVGA	Optional Accessory, 15" Acer
0859-0473-01	Monitor, SVGA	Optional Accessory, 17" Acer
12376	Plug, Double "D" Plug, .500/.445	Production Item
1374-0002	Plug, Button, .625	Production Item
1374-0102	Plug, Button	Production Item
1374-0107	Plug, Button	Production Item
1374-0108	Plug, Button	Production Item
1374-0117-01	Plug, End Cap Handle, Black	Production Item
1374-0118-01	Plug, 1 1/8" Diameter	Production Item
15265	Bushing, Flanged	Production Item
1747-0101	Test Lead, Pattern Pickup	Conventional Secondary
1747-0102	Test Lead, Pattern Pickup	HEI Secondary
1747-0103	Test Lead, Pattern Pickup	Optional Accessory, Toyota HEI
1747-0105	Test Lead	Optional Accessory, Ignition Adapter
1922-0112-02	Circuit Breaker, 1/2 amp	Optional, 12V Receptacle Kit
1922-0116-18	Circuit Breaker, 5A, Double Pole, Rocker	Power Switch, Used in 220V Model
1922-0116-21	Circuit Breaker, 10A, Double Pole, Rocker	Power Switch
2035-0008	Bushing, Heyco 1237	Production Item
2035-0009	Bushing, Heyco	Production Item
2035-0016	Clamp, Heyco	Optional, Fax/Modem Kit
2161-0023	Hanger, Test Lead	
2209	Fitting, Nipple	Optional, Vacuum Source Kit
2432	Spacer, PCB Mounting	Production Item
2500E2106	WA, Keyboard Partition	Production Item
2500E2160	Plate, Computer Drawer Lock	
3645-0045-01	Caster ^{w/o} Brake	
3645-0045-02	Caster ^{w/} Brake	
3807-0003-03	Grommet, Boom, Ex	
3841-0101	Restrictor, Flow	
3841-0101-05	Restrictor	
3841-0111-01	Restrictor, Flow	
3988-0255-01	Test Lead	Hose, Exhaust 3/16"
4162-7113-01	Coupler, In Line	
4600-0183	Label, Correlation	
51241	Trim	
5878-0011	Strap, Cable	
6001-0177-01	Cable Assembly, AC Power, Unit	

PART NUMBER	DESCRIPTION	COMMENTS
6001-0183-03	Cable Assembly, AC Power, Monitor	
6001-0183-04	Cable Assembly, AC Power Monitor	
6002-0346	Test Lead	Generic Jumper ^W /Probe (Pin Lead)
6002-0349	Jumper Wire, Spade Term	Optional Accessory
6002-0355	Test Lead Primary Lead Assembly	Optional Accessory
6004-0355-02	WH, IR Cable Assembly.	
6004-0544-02	Test Lead	Pattern Dual Head, DIS Leads
6004-0576-05	WH, Serial Interface (COM 1)	Production Item
6004-0606-01	WH, Modem	Optional, Fax/Modem Kit
6004-0763-02	Test Lead	Pattern, Conventional (Blue)
6004-0775-02	Test Lead	DIL "Y" Adapter
6004-0776-01	Cable Assembly W58	Ana/Dig Interconnect
6004-0819-01	Test Lead,	Universal SEC Pattern Pickup Adapter
6005-0182-02	Test Lead	Universal, Primary, Coil+, Battery Leads
6006-0003-02	Hose, Vacuum	Optional Accessory
7001-2214-03	PCB, Pod Input	
7001-2300-01	PCB, Power Distribution	
7001-2303-04	PCB, PC Interface Card	
7001-2305-01	PCB, SMT, Digital	
7001-2306-01	PCB, SMT, Analog	
7002-0261-01	Block Oxygen Sensor	
7008-0054	PCB, Terminal	
7008-0318	PCB, Terminal Board	
7009-0728	Aspirator	
7009-1430	Valve Assembly, Vacuum	Optional, Vacuum Source Kit
7009-1486-03	Assembly, Diode	
7009-1869-01	Test Lead	Exhaust Probe and Handle
7009-2032-02	Pump, Vacuum 110V	
7009-2032-03	Pump, Vacuum 220V	Used in 220V Model
7009-2325-02	Test Lead	Trigger Pickup
7014-1108-01	Cover, DB25	Production Item
7014-1109-01	Cover, DB9	Production Item
7014-1183-01	Cover, O2 Block	
7014-1212-01	Cover, DB37	Production Item
7023-0309-01	Slide Rails, Disk Drive	Optional, 2 nd CD-ROM Kit
7024-0325	Fitting, Exhaust Port	
7024-1000-01	Swivel, Bar Stool	
7031-0180	PCB, Insulator Board	
7031-0181	PCB, Term Insulator Board	
7049-0004-01	Sensor Oxygen	
7049-0126-01	Bench, IR 110V	
7049-0127-01	Bench, IR 220V	Used in 220V Model
7076-0690-01	WH, 12V Receptacle	Optional, 12V Receptacle Kit
7076-0753-03	WH, Harness, Fan	Production Item
7076-0882-02	WH, Solenoid Harness	Optional, Vacuum Source Kit
7076-0887-02	WH, Harness AC Bench	Production Item
7076-1011-01	WH, Internal Power Distribution	Production Item
7076-1017-01	WH, Harness.	Production Item
8180	Drawer Slide, Ball	Production Item
8280	Drawer Slide, Ball	Production Item
945R6001	Bracket, Edge Pod Holder	Optional, Edge Pod Holder Kit
EAA0039C00A	Manifold, NO Cell	Optional, NOx Kit
EAA0071C41A	Fan, Secondary Computer	
EAA0131C01A	WA, AC Terminal Box	Production Item
EAA0176L01A	Bearing, Teflon Boom	Production Item
EAC0038C00A	Case, Computer	Production Item
EAE0014C00A	Disk Drive, Hard IDE, 2 GIG	

PART NUMBER	DESCRIPTION	COMMENTS
EAE0015L00B	Disk Drive, CDROM	
EAE0021L00A	Computer Assembly	Production Item
EAE0025L10A	Keyboard, 104 Key	
EAH0016C00A	Pneumatic Assembly., NO Cell	Optional, NOx Kit
EAL0144C00A	Label, Warning	
EAL0217C00A	Label, Remote	
EAL0220L00B	Label, Unit Designation 400	
EAP0032C00A	PCB, LonWorks Interface	Optional, LonWorks Kit
EAP0036K00A	PCB, Remote Sensor	Optional, Remote Kit
EAP0052K00A	PCB, Keyboard Interface	Optional, Remote Kit
EAP0067C00A	PCB, Emissions Controller	
EAP0068C01A	PCB, Motherboard w/133MHz CPU	
EAP0071C00A	PCB, Modem	Optional, Fax/Modem Kit
EAP0125L00A	PCB, Adapto Interface	
EAP0145L00A	PCB, Memory 8MB, 2MX32	72 pin EDO Ram
EAP0146L00A	PCB, Video Card, 2Meg	
EAS0025C00A	Bracket, Rear, Computer	Production Item
EASB063C02A	WA, Case	Production Item
EASC029C20A	WA, IR Drawer	Production Item
EASC029C87A	Hanger, Boom, Cable	Production Item
EASC063C45A	WA, Terminal Box, Cover	Production Item
EASC063C82A	Cover, Front	Production Item
EASC063C86A	Door, Front Computer	Production Item
EASC090L20A	Plate, Monitor	Production Item
EASC094L01A	WA, Remote Bracket	Production Item
EASC094L02A	WA, Rear Cover Brace	Production Item
EASC094L03A	WA, Rear Cover Top	Production Item
EASC094L04A	WA, Rear Cover Side Right	Production Item
EASC094L05A	WA, Panel PC Mounting	Production Item
EASC094L07A	Connector Plate Boom	Production Item
EASC094L09A	Connector Plate Side	Production Item
EASC094L11A	Tube, Boom	Production Item
EASC094L13A	WA, Holder, Timing Light	Production Item
EASC094L20A	WA, Rear Door	Production Item
EASC094L31A	WA, Rear Cover Side Left	Production Item
EASC094L40A	WA, Printer Tray	Production Item
EASC094L45A	WA, Keyboard/Printer Tray	Production Item
EASC094L50A	WA, Pedestal	Production Item
EASC094L60A	WA, Boom Housing	Production Item
EASC094L70A	WA, Boom Journal	Production Item
EASC094L80A	WA, Handle	Production Item
EASC094L90A	WA, Computer Drawer	Production Item
EASC094L95A	WA, Storage Drawer "B"	Production Item
EASP041C00A	Cover, NO Cell	Optional, NOx Kit
EASP041C10A	Bracket, NO Cell	Optional, NOx Kit
EASP064C01A	Cover, Calibration Pots	Production Item
EASP109C01A	WA, Mounting Bracket, PC	Production Item
EASX094L83A	Hanger, Cable	Production Item
EASY029C22A	WA, IR Back Panel Screened	Production Item
EAW0011C00A	WH, HDD 'Y' Power Adapter	Production Item
EAW0016C00A	Cable Assembly, RJ45 to Mini-Din	Optional, LonWorks Kit
EAW0016C02A	Cable Assembly, RJ45 to Mini-Din	Optional, LonWorks Kit
EAW0032C00A	WH, NO Interface	Optional, NOx Kit
EAW0046K00A	WH, IR Remote Interface	Optional, Remote Kit
EAW0048K00A	WH, Monitor Data	Production Item
EAW0054C00A	WH, Sec & Pinpoint	Production Item
EAW0055C00A	WH, Bat/Coil/Pri	Production Item

PART NUMBER	DESCRIPTION	COMMENTS
EAW0058C00A	Test Lead	Volt/Ohm Pinpoint
EAW0064C00A	WH, Harness, Pump/Relay	Production Item
EAW0072C00A	WH, Printer Cable	Production Item
EAW0083C00A	WH, Keyboard/Arbitrator	Optional, Remote Kit
EAW0089C01A	WH, Serial Interface (COM 2)	Production Item
EAW0110C00A	Cable Assembly, AC Power, IR	Production Item
EAW0114C00A	WH, IDE, Secondary	Production Item
EAW0115C00A	Cable Assembly, AC Terminal Box	Production Item
EAW0135C00A	WH, Monitor Power, A.C.	Production Item
EAW0169L00A	WH, Adapter to POD1 Cable	Production Item
EAW0171L00A	WH, Host POD/DC Power	Production Item
EAW0173L00A	WH, IR Interface/Comm	Production Item
EAW0174L00A	WH, PCI Signals	Production Item
EAW0175L00A	WH, Back Door/Main Ground	Production Item
EAW0176L00A	WH, Boom/Main Ground	Production Item
EAW0177L00A	WH, Solenoid, Sample/Bottle	Production Item
EAX0017C00A	WH, Lead, Ground	Production Item
EAX0028L00A	Test Lead	Auxiliary Extender (Snap-on Probes)
EERC102A	Remote Control	Optional, Remote Kit
EETA100A	Cable Assembly	Optional, LonWorks Kit
EETA101A	Terminator A	Optional, LonWorks Kit
EETA102A	Terminator B	Optional, LonWorks Kit
EETL501A	Lead Assembly, Timing Light	Optional Accessories
MT3000-400B	Test Lead (Vacuum Probe)	Optional Accessories
MT3000-410 A	Test Lead (High Amps Probe)	Optional Accessories
MT3000-420A	Test Lead (Power Balance Probe)	Optional Accessories
MT3000A440	Test Lead (Low Amps Probe)	Optional Accessories
ZEEOS111A	Manual, Operators	

PARTS IN ALPHABETICAL ORDER

DESCRIPTION	PART NUMBER	COMMENTS
Ad Slick Book	0693-2115-01	Point of Purchase Kit, Sales Material
Adapter	0647-0028	
Adapter Hose, Vacuum 1/4"x 7/16"x 6"	0669-0734	Optional Accessory
Adapter Hose, Vacuum 1/8"x 5/16"x 6"	0669-0623	Optional Accessory
Adapter Hose, Vacuum 3/16"x 5/16"x 6"	0669-0733	Optional Accessory
Adapter, 45 Degrees	0647-0137	
Adapter, Elbow	0647-0239-01	
Adapter, Filter Bowl Plug	0647-0138	
Adapter, Needle Probe	0507-0025-01	Optional Accessory
Adapter, Pipe to Hose	0647-0070	
Adapter, Pipe to Hose	0647-0073	
Adapter, Thexton	0552-0120-01	Chry/Jeep/Eagle
Adapter, Thexton, Ford E Core	0552-0074-01	Optional Accessory
Adapter, Thexton, GM HEI External Coil	0552-0044	Optional Accessory
Adapter, Thexton, GM Micropak Coil	0552-0045	Optional Accessory
Adapter, Thexton, Multipurpose Coil	0552-0043	Optional Accessory
Adapter, Threaded to Hose	0647-0069	
Aspirator	7009-0728	
Assembly, Diode	7009-1486-03	
Banner, Sun Machine 450	0692-2406-01	Point of Purchase Kit, Sales Material
Bearing, Teflon Boom	EAA0176L01A	Production Item
Bench, IR 110V	7049-0126-01	
Bench, IR 220V	7049-0127-01	Used in 220V Model
BIFOLD, Sun Machine	0693-2097-01	Point of Purchase Kit, Sales Material
Block Oxygen Sensor	7002-0261-01	
Bracket, Edge Pod Holder	945R6001	Optional, Edge Pod Holder Kit
Bracket, NO Cell	EASP041C10A	Optional, NOx Kit
Bracket, Rear, Computer	EAS0025C00A	Production Item
Bushing, Flanged	15265	Production Item
Bushing, Heyco	2035-0009	Production Item
Bushing, Heyco 1237	2035-0008	Production Item
Cable Assembly	EETA100A	Optional, LonWorks Kit
Cable Assembly W58	6004-0776-01	Ana/Dig Interconnect
Cable Assembly, AC Power Monitor	6001-0183-04	
Cable Assembly, AC Power, IR	EAW0110C00A	Production Item
Cable Assembly, AC Power, Monitor	6001-0183-03	
Cable Assembly, AC Power, Unit	6001-0177-01	
Cable Assembly, AC Terminal Box	EAW0115C00A	Production Item
Cable Assembly, RJ45 to Mini-Din	EAW0016C00A	Optional, LonWorks Kit
Cable Assembly, RJ45 to Mini-Din	EAW0016C02A	Optional, LonWorks Kit
Cap, Exhaust Probe	0787-0035	Leak Check Adapter
Case, Computer	EAC0038C00A	Production Item
Caster ^W / Brake	3645-0045-02	
Caster ^W /o Brake	3645-0045-01	
Circuit Breaker, 1/2 amp	1922-0112-02	Optional, 12V Receptacle Kit
Circuit Breaker, 10A, Double Pole, Rocker	1922-0116-21	Power Switch
Circuit Breaker, 5A, Double Pole, Rocker	1922-0116-18	Power Switch, Used in 220V Model
Clamp, Heyco	2035-0016	Optional, Fax/Modem Kit
Computer Assembly	EAE0021L00A	Production Item
Connector Plate Boom	EASC094L07A	Production Item
Connector Plate Side	EASC094L09A	Production Item
Coupler, In Line	4162-7113-01	
Cover, Calibration Pots	EASP064C01A	Production Item
Cover, DB25	7014-1108-01	Production Item

DESCRIPTION	PART NUMBER	COMMENTS
Cover, DB37	7014-1212-01	Production Item
Cover, DB9	7014-1109-01	Production Item
Cover, Front	EASC063C82A	Production Item
Cover, NO Cell	EASP041C00A	Optional, NOx Kit
Cover, O2 Block	7014-1183-01	
Disk Drive, 3 ½" Floppy 1.44Meg	0552-0095-01	
Disk Drive, CDROM	EAE0015L00B	
Disk Drive, Hard IDE, 2 GIG	EAE0014C00A	
Disk, Performance Profile	0693-2113-02	Point of Purchase Kit, Sales Material
Door, Front Computer	EASC063C86A	Production Item
Drawer Slide, Ball	8180	Production Item
Drawer Slide, Ball	8280	Production Item
Fan, 115V Axial	0587-0504	
Fan, 220V Axial	0587-0507-01	Used in 220V Model
Fan, Secondary Computer	EAA0071C41A	
Filter Assembly, 75 Micron	0301-0136-01	Primary
Filter Assembly, 8 Micron	0301-0135-01	Secondary
Filter Bowl	0301-0947-01	
Filter Element, 75 Micron	0301-0944-01	Primary
Filter Element, 8 Micron	0301-0945-01	Secondary
Filter, Air	0301-0126	
Fitting	0647-0083	
Fitting, Elbow	0647-0044	
Fitting, Exhaust Port	7024-0325	
Fitting, Nipple	0647-0192-01	1/8", 1-1/2" long
Fitting, Nipple	2209	Optional, Vacuum Source Kit
Fitting, Tee	0647-0102	
Fitting, Tee	0647-0186	Optional, Vacuum Source Kit
Grommet	0501-0003	
Grommet, Boom, Ex	3807-0003-03	
Hanger, Boom, Cable	EASC029C87A	Production Item
Hanger, Cable	EASX094L83A	Production Item
Hanger, Test Lead	2161-0023	
Hose, Vacuum	6006-0003-02	Optional Accessory
Housing Filter	0301-0942-01	
IC, Microprocessor, Programmed	0773-2071-12	Digital Board
IC, Prom, Programmed	0773-2069-10	Emission Board
Jumper Wire, Spade Term	6002-0349	Optional Accessory
Keyboard, 104 Key	EAE0025L10A	
Knob	0758-0206-01	Optional, Vacuum Source Kit
Knob, Cap, Plain, Gray	0758-0195-01	Optional, Vacuum Source Kit
Label, Caution/Warning, UL/CSA	0682-1001-01	Production Item
Label, Correlation	4600-0183	
Label, Filter Maintenance	0682-0807-01	
Label, Remote	EAL0217C00A	
Label, Unit Designation 400	EAL0220L00B	
Label, Warning	EAL0144C00A	
Lead Assembly, Timing Light	EETL501A	Optional Accessories
Manifold, NO Cell	EAA0039C00A	Optional, NOx Kit
Manual, Operators	ZEEOS111A	
Monitor, SVGA	0859-0471-01	14" Acer
Monitor, SVGA	0859-0472-01	Optional Accessory, 15" Acer
Monitor, SVGA	0859-0473-01	Optional Accessory, 17" Acer
Mouse Pad	0552-0103-01	Test...Don't Guess
Mouse, 3 Button (White)	0552-0089-01	
Nut, Filter	0301-0946-01	
Nut, Filter Bowl	0301-0948-01	

DESCRIPTION	PART NUMBER	COMMENTS
Operating System (OSR2)	0552-3021A01	Production Item
PCB, Adapto Interface	EAP0125L00A	
PCB, Emissions Controller	EAP0067C00A	
PCB, Insulator Board	7031-0180	
PCB, Keyboard Interface	EAP0052K00A	Optional, Remote Kit
PCB, LonWorks Interface	EAP0032C00A	Optional, LonWorks Kit
PCB, Memory 8MB, 2MX32	EAP0145L00A	72 pin EDO Ram
PCB, Modem	EAP0071C00A	Optional, Fax/Modem Kit
PCB, Motherboard w/133MHz CPU	EAP0068C01A	
PCB, PC Interface Card	7001-2303-04	
PCB, Pod Input	7001-2214-03	
PCB, Power Distribution	7001-2300-01	
PCB, Remote Sensor	EAP0036K00A	Optional, Remote Kit
PCB, SMT, Analog	7001-2306-01	
PCB, SMT, Digital	7001-2305-01	
PCB, Term Insulator Board	7031-0181	
PCB, Terminal	7008-0054	
PCB, Terminal Board	7008-0318	
PCB, Video Card, 2Meg	EAP0146L00A	
Plate, Computer Drawer Lock	2500E2160	
Plate, Monitor	EASC090L20A	Production Item
Plug, 1 1/8" Diameter	1374-0118-01	Production Item
Plug, Button	1374-0102	Production Item
Plug, Button	1374-0107	Production Item
Plug, Button	1374-0108	Production Item
Plug, Button, .625	1374-0002	Production Item
Plug, Double "D" Plug, .500/.445	12376	Production Item
Plug, End Cap Handle, Black	1374-0117-01	Production Item
Pneumatic Assembly., NO Cell	EAH0016C00A	Optional, NOx Kit
Poster, Sun Machine	0693-2098-01	Point of Purchase Kit, Sales Material
Poster, Sun Machine	0693-2114-01	Point of Purchase Kit, Sales Material
Power Supply 230 Watt	0532-0029-02	
Printer (115V), Okidata 390 Turbo, 24 Pin	0528-0032-01	
Printer (115V), Okidata LED Printer	0528-0031-01	Optional Accessory
Printer (220V), Okidata 390 Turbo, 24 Pin	0528-0032-02	Used in 220V Model
Printer (220V), Okidata LED Printer	0528-0031-04	Optional Accessory, 220V Model
Pump, Vacuum 110V	7009-2032-02	
Pump, Vacuum 220V	7009-2032-03	Used in 220V Model
Remote Control	EERC102A	Optional, Remote Kit
Restrictor	3841-0101-05	
Restrictor, Flow	3841-0101	
Restrictor, Flow	3841-0111-01	
Seal, "O" Ring	0301-0943-01	
Sensor Oxygen	7049-0004-01	
Shock Mount, Rubber	0561-0144-01	
Shock Mount, Rubber, Blue	0561-0147-01	
Slide Rails, Disk Drive	7023-0309-01	Optional, 2 nd CD-ROM Kit
Spacer, Hex M/F #4-40	0429-0037-04	Emissions Board
Spacer, PCB Mounting	2432	Production Item
Strap, Cable	5878-0011	
Sun Book PR	0693-1373-02	Point of Purchase Kit, Sales Material
Switch, Leak Check	0549-0017	
Switch, Low Flow	0549-0019-02	
Swivel, Bar Stool	7024-1000-01	
Terminator A	EETA101A	Optional, LonWorks Kit
Terminator B	EETA102A	Optional, LonWorks Kit
Test Lead	0672-0035-01	Test Clip, Wire Piercing

DESCRIPTION	PART NUMBER	COMMENTS
Test Lead	1747-0105	Optional Accessory, Ignition Adapter
Test Lead	3988-0255-01	Hose, Exhaust 3/16"
Test Lead	6002-0346	Generic Jumper ^W /Probe (Pin Lead)
Test Lead	6004-0544-02	Pattern Dual Head, DIS Leads
Test Lead	6004-0763-02	Pattern, Conventional (Blue)
Test Lead	6004-0775-02	DIL "Y" Adapter
Test Lead	6005-0182-02	Universal, Primary, Coil+, Battery Leads
Test Lead	7009-1869-01	Exhaust Probe and Handle
Test Lead	7009-2325-02	Trigger Pickup
Test Lead	EAW0058C00A	Volt/Ohm Pinpoint
Test Lead	EAX0028L00A	Auxiliary Extender (Snap-on Probes)
Test Lead (High Amps Probe)	MT3000-410 A	Optional Accessories
Test Lead (Low Amps Probe)	MT3000A440	Optional Accessories
Test Lead (Power Balance Probe)	MT3000-420A	Optional Accessories
Test Lead (Vacuum Probe)	MT3000-400B	Optional Accessories
Test Lead Label, Stickers	0682-1049-01	Conductive Tape SEC Pattern Pickup
Test Lead Primary Lead Assembly	6002-0355	Optional Accessory
Test Lead,	0002-0133-15	Generic Red Jumper
Test Lead,	6004-0819-01	Universal SEC Pattern Pickup Adapter
Test Lead, Pattern Pickup	1747-0101	Conventional Secondary
Test Lead, Pattern Pickup	1747-0102	HEI Secondary
Test Lead, Pattern Pickup	1747-0103	Optional Accessory, Toyota HEI
Transducer, NO	0514-0036-01	Optional, NOx Kit
Trim	51241	
Tube, Boom	EASC094L11A	Production Item
Tubing, Poly 3/16	0669-0229	
Tubing, Poly, 1/4	0669-0220	
Valve Assembly, Vacuum	7009-1430	Optional, Vacuum Source Kit
Valve, Solenoid	0304-0035	Optional, Vacuum Source Kit
Valve, Solenoid 3-way	0304-0044-01	
Velcro, Hook, 5/8" wide	0424-0804-02	
Velcro, Loop, 5/8" wide	0424-0804-01	
Velcro, Strap Hook and Loop	0424-0806-02	Monitor
WA, AC Terminal Box	EAA0131C01A	Production Item
WA, Boom Housing	EASC094L60A	Production Item
WA, Boom Journal	EASC094L70A	Production Item
WA, Case	EASB063C02A	Production Item
WA, Computer Drawer	EASC094L90A	Production Item
WA, Handle	EASC094L80A	Production Item
WA, Holder, Timing Light	EASC094L13A	Production Item
WA, IR Drawer	EASC029C20A	Production Item
WA, Keyboard Partition	2500E2106	Production Item
WA, Keyboard/Printer Tray	EASC094L45A	Production Item
WA, Mounting Bracket, PC	EASP109C01A	Production Item
WA, Panel PC Mounting	EASC094L05A	Production Item
WA, Pedestal	EASC094L50A	Production Item
WA, Printer Tray	EASC094L40A	Production Item
WA, Rear Cover Brace	EASC094L02A	Production Item
WA, Rear Cover Side Left	EASC094L31A	Production Item
WA, Rear Cover Side Right	EASC094L04A	Production Item
WA, Rear Cover Top	EASC094L03A	Production Item
WA, Rear Door	EASC094L20A	Production Item
WA, Remote Bracket	EASC094L01A	Production Item
WA, Storage Drawer "B"	EASC094L95A	Production Item
WA, Terminal Box, Cover	EASC063C45A	Production Item
WA, IR Back Panel Screened	EASY029C22A	Production Item
WH, Solenoid Harness	7076-0882-02	Optional, Vacuum Source Kit

DESCRIPTION	PART NUMBER	COMMENTS
WH, 12V Receptacle	7076-0690-01	Optional, 12V Receptacle Kit
WH, Adapter to POD1 Cable	EAW0169L00A	Production Item
WH, Back Door/Main Ground	EAW0175L00A	Production Item
WH, Bat/Coil/Pri	EAW0055C00A	Production Item
WH, Boom/Main Ground	EAW0176L00A	Production Item
WH, Harness AC Bench	7076-0887-02	Production Item
WH, Harness, Fan	7076-0753-03	Production Item
WH, Harness, Pump/Relay	EAW0064C00A	Production Item
WH, Harness.	7076-1017-01	Production Item
WH, HDD 'Y' Power Adapter	EAW0011C00A	Production Item
WH, Host POD/DC Power	EAW0171L00A	Production Item
WH, IDE, Secondary	EAW0114C00A	Production Item
WH, Internal Power Distribution	7076-1011-01	Production Item
WH, IR Cable Assembly.	6004-0355-02	
WH, IR Interface/Comm	EAW0173L00A	Production Item
WH, IR Remote Interface	EAW0046K00A	Optional, Remote Kit
WH, Keyboard/Arbitrator	EAW0083C00A	Optional, Remote Kit
WH, Lead, Ground	EAX0017C00A	Production Item
WH, Modem	6004-0606-01	Optional, Fax/Modem Kit
WH, Monitor Data	EAW0048K00A	Production Item
WH, Monitor Power, A.C.	EAW0135C00A	Production Item
WH, NO Interface	EAW0032C00A	Optional, NOx Kit
WH, PCI Signals	EAW0174L00A	Production Item
WH, Printer Cable	EAW0072C00A	Production Item
WH, Sec & Pinpoint	EAW0054C00A	Production Item
WH, Serial Interface (COM 1)	6004-0576-05	Production Item
WH, Serial Interface (COM 2)	EAW0089C01A	Production Item
WH, Solenoid, Sample/Bottle	EAW0177L00A	Production Item

