

CHAPTER 20 PARTS

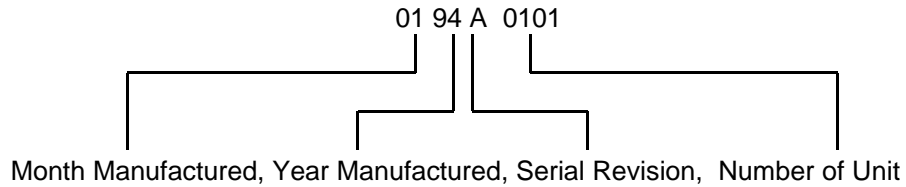
GENERAL

This chapter describes assemblies, subassemblies, and parts considered replaceable at on-site field installations.

Serial number location is on the rear cabinet top right hand side.
Serial Number breakdown is as follows:

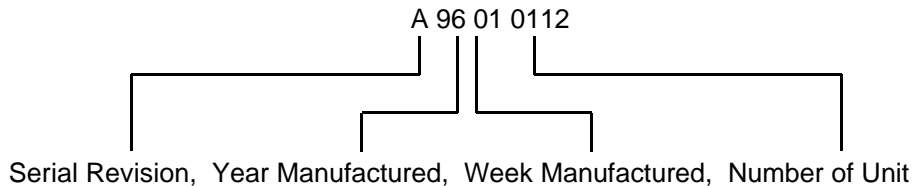
All Units Built Before 1995:

Example:



All Units Built After Jan 1, 1995:

Example:



An example of the PARTS IN NUMERICAL ORDER tables is below. An "X" in any of the center columns means the part is found in that particular version of the MCS-2500.

PART NUMBER	DESCRIPTION	National Account					COMMENTS
		A	B	NA	PB	SP	
0002-0133-15	Lead		X	X	X		

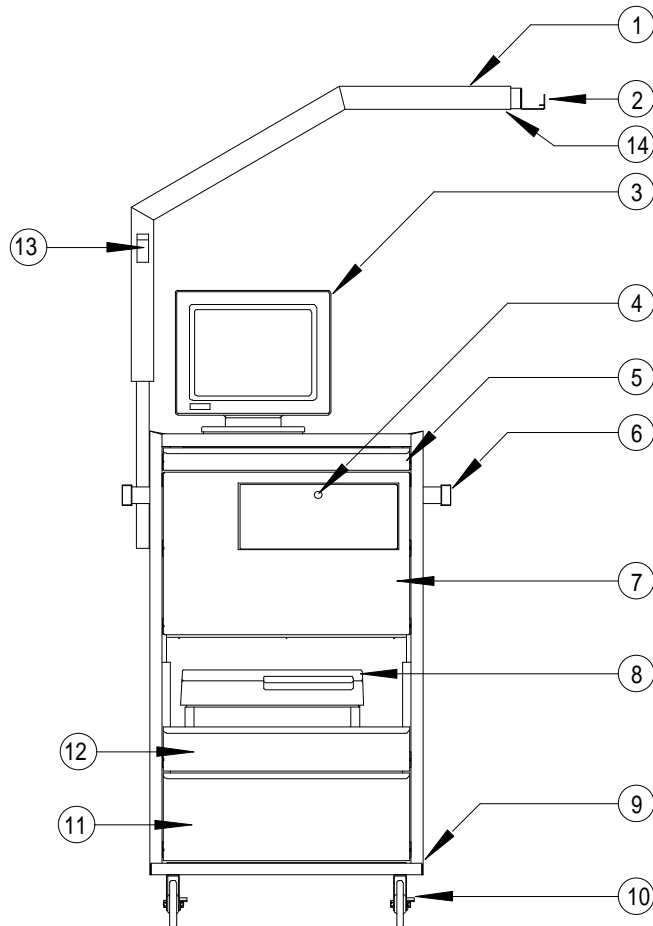
Serial B _____
 Serial A _____

NOTE: *The MCS-2500 circuit boards are not being purchased preconfigured. The configuration of all circuit boards must be checked before placement into the unit. Refer to Configuration Manual.*

NOTE: *Within the parts descriptions there are two abbreviations that are being used, one of them is WA = Weld Assembly the other is WH = Wiring Harness. The WH Numbers are for service reference only.*

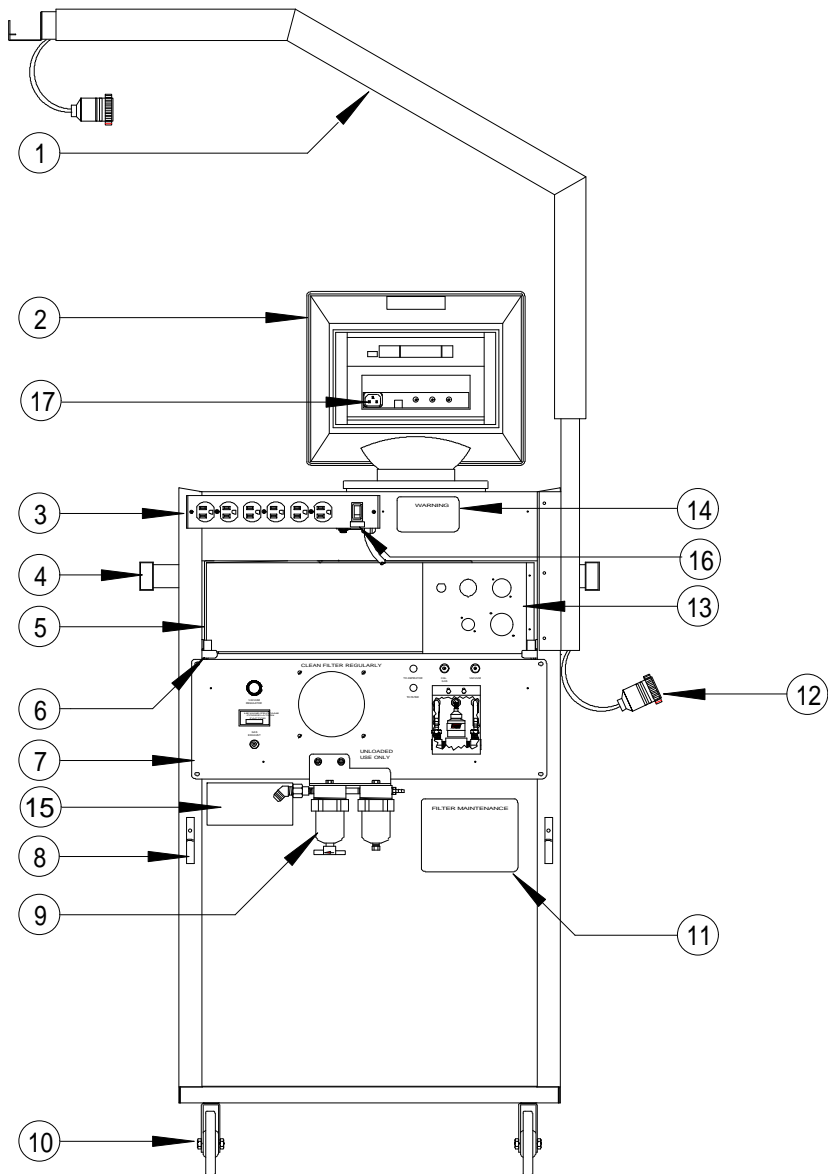
PARTS BY PICTORIAL

FRONT VIEW



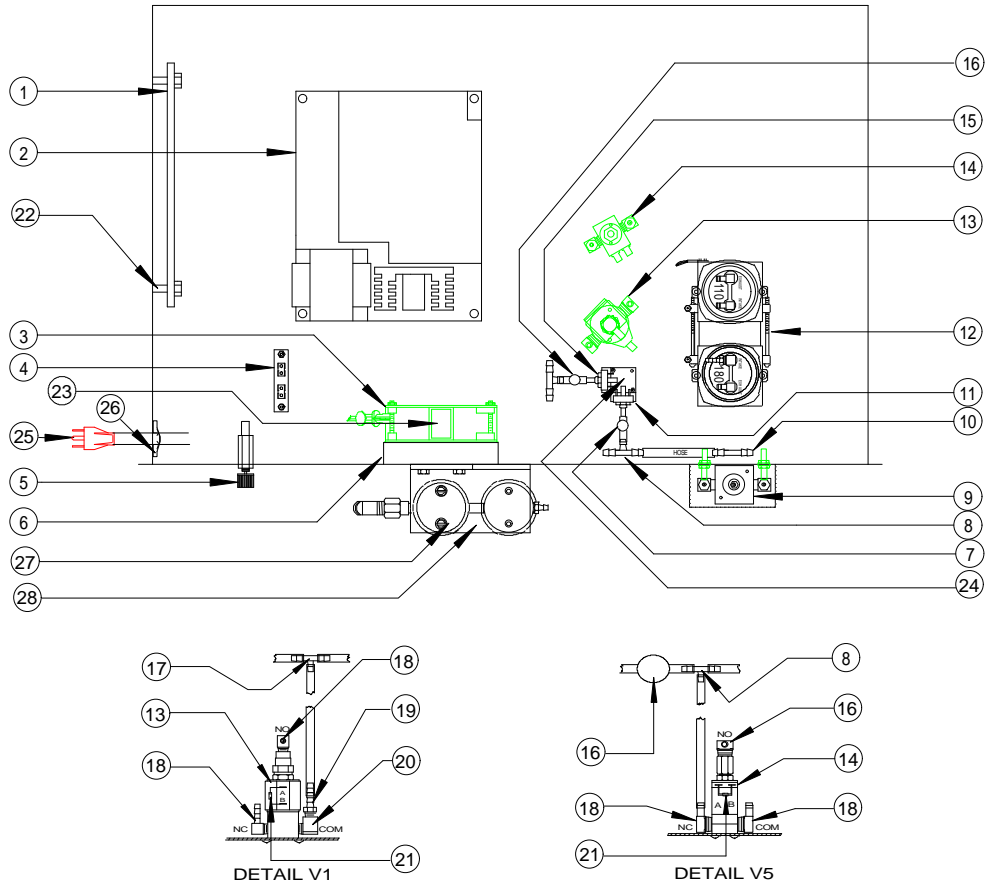
ITEM	DESCRIPTION	PART NUMBER	ITEM	DESCRIPTION	PART NUMBER
1	Boom Kit (Complete)	1091-0303-01	5e	Label, Keyboard	0682-1109-01
2	Hanger, Boom End	EASC042C02A		Label, Keyboard (NA/PB)	EAL0123C00A
3	Monitor, 14" WY-670	0859-0465-01	6	Handle (2) Kit	1095-0302-01
	Monitor, 14" WY-1450A	0859-0467-02	7	WA, Front Panel Assy	2500E0800A
	Monitor, GM-14S	0859-0470-01	7a	WA, Computer Door Assy	2500E1100A
	Monitor, 7133S (Acer)	0859-0471-01	8	Printer, 24 pin 110V	0528-0029-01
3a	Mounting Kit (WY-1450A)	EASD043C00A		Printer, 24 pin 220V	0528-0029-02
	Mounting Kit (GM-14S)	EAK0062C00AB	8a	Printer Paper	0528-0994
	Mounting Kit (7133S)	EAK0067C00AB	8b	Printer Ribbon	0528-1065-01
3b	Swivel Base (WY-1450A)	EAC0034C00A	8c	AC Cord 115Volt (Printer)	6001-0198-02
	Swivel Base (7133S)	EAC0037C00A		AC Cord 220Volt (Printer)	6001-0198-01
4	Latch	820037	9	Mat, Rubber	7019-0085-06
5	Keyboard	0552-3005-01	10	Casters W/Brake	3645-0056-02
	Keyboard, 101 Keys, Blk	0552-0117-01	11	Drawer Assy., Storage	2500E2400
5a	Keyboard Skin	0552-0105-01	11a	Slides, Drawer	8-280
	Keyboard Skin 101 Keys	0552-1086-01	12	Drawer Assy, Printer	2500E2200
5b	Drawer Assy, Keyboard	2500E2100	12a	Slides, Drawer	8-280
5c	Slides, Drawer	8-280	12b	Printer Support Assy	2500E2210
5d	Keyboard Partition	2500E2106	13	Cable Hook	EASC042C01A
5e	Mouse, Honeywell	0552-0089-01	14	Roller, Boom Cable	7002-0267-01
	Mouse, 3 Button, Black	0552-0116-01			

BACK VIEW



ITEM	DESCRIPTION	PART NUMBER	ITEM	DESCRIPTION	PART NUMBER
1	Boom Assy	See Page 20-2	5	Personal Computer	See Page 20-9
2	Monitor, 14" WY-670	0859-0465-01	6	Plate, Lock	2500E2160
	Monitor, 14" WY-1450A	0859-0467-02	7	Infrared Drawer	See Page 20-4
	Monitor, GM-14S	0859-0470-01	8	Cable Hanger	2161-0023
	Monitor, 7133S (Acer)	0859-0471-01	9	Filter Assy.	See Page 20-6
2a	Mounting Kit (WY-1450A)	EASD043C00A	10	Caster W/O Brake	3645-0056-01
	Mounting Kit (GM-14S)	EAK0062C00AB	11	Filter Maintenance Label	See Page 20-6
	Mounting Kit (7133S)	EAK0067C00AB	12	Umbilical Cord	6004-0768-01
2b	Swivel Base (WY-1450A)	EAC0034C00A	13	Internal Cabinet	See Page 20-9
	Swivel Base (7133S)	EAC0037C00A	14	Label, Power Warning	0682-1089-01
3	Power Strip W/AC Cord	6001-0203-01	15	Label, Caution	0682-1001-01
	Power Strip, IEC 220VAC	4162-8067	16	Label, Power	0682-1114-01
4	Handle (2) Kit	1095-0302-01	17	AC Cord Assy (Monitor)	6001-0198-02

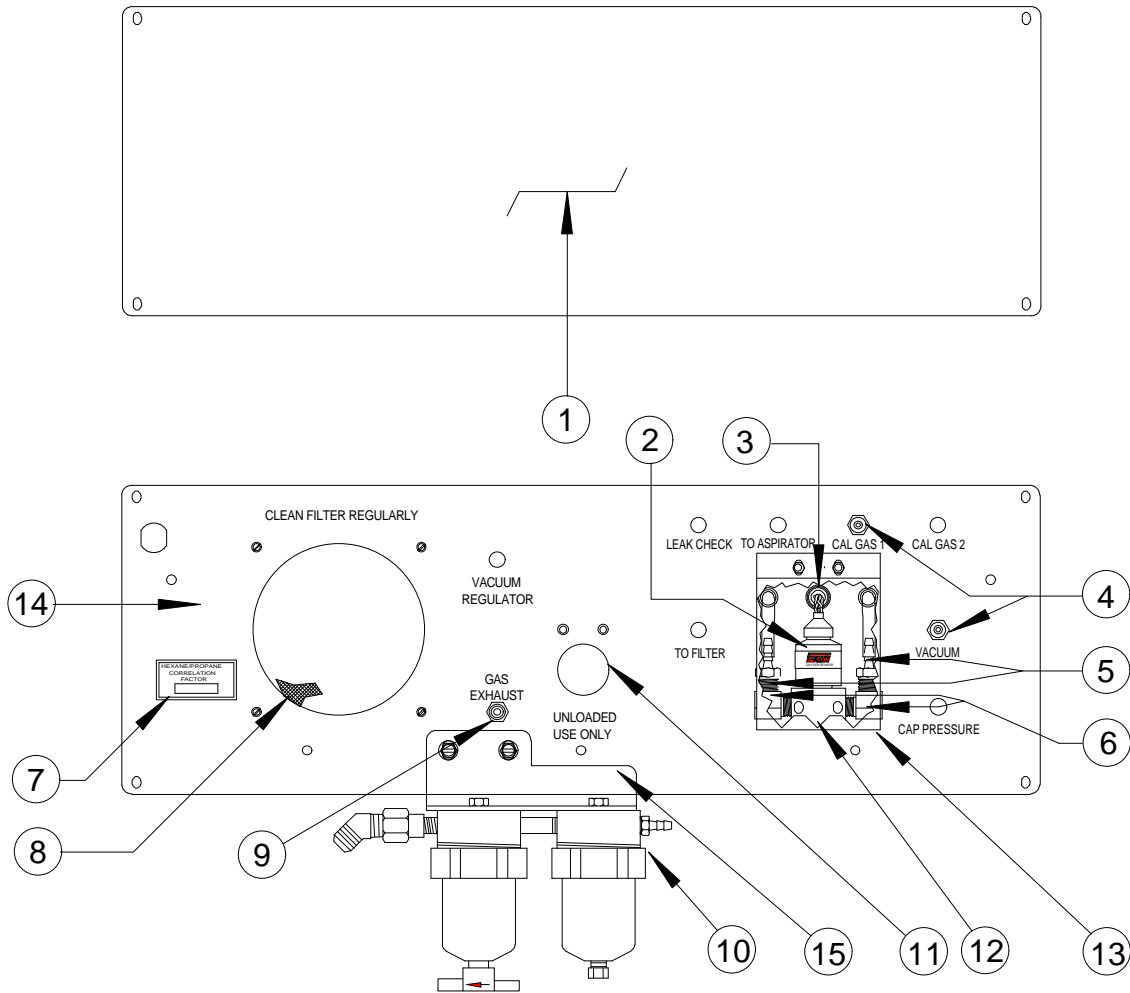
CHAPTER 20 PARTS
INFRARED DRAWER



ITEM	DESCRIPTION	PART NUMBER	ITEM	DESCRIPTION	PART NUMBER
1	PC Bd., Emissions Contrl	7001-2280-01	17	Tee, Fitting N4TUB-4	0647-0186
	PC Bd., Emissions Contrl*	7001-2304-01	18	Adapter, Elbow	0647-0239-01
	CCA, Emissions Contrl*	EAP0067C00A	19	Adapter, Pipe to Hose	0647-0070
2	Bench, IR 110V	7049-0126-01	20	Elbow, Fitting	0647-0044
	Bench, IR 220V	7049-0127-01	21	Diode Assy	7009-1486-03
3	Fan, 115V Axial	0587-0504	22	Mount, Rubber	0561-0144-01
	Fan, 220V Axial	0587-0507-01	23	Label, Fan Caution	0682-0294
4	Board, Terminal	7008-0054	24	Bracket, Mounting	7012-0808
4a	Board, Terminal Insulator	7031-0181	25	AC Cord, 115VAC (IR)	6001-0204-01
5	Valve Assembly	7009-1430		AC Cord, 230VAC (IR)	6001-0205-01
5a	Knob, Vacuum	0758-0206-01	26	Mount, Cble ABM2S-A-D	5878-0902
5b	Knob, Cap	0758-0195-01	27	Filter Assy 75 & 8 Micron	7009-2024-01
6	Housing, Fan Filter	7004-0354		See Page. 20-6	
7	Restrictor	3841-0101-05	28	Bracket, Filter Mounting	7012-1382-01
8	Tee, Gas Drawer	0647-0102	NS	Tubing Cut List IR	800-0239-01
9	Block, O2 Sensor	7002-0261-01	NS	WH, W84, Emissions Ex	7076-0753-03
9a	Sensor, Oxygen	7049-0004-01	NS	WH, W24 IR Pump	EAW0064C00A
10	Restrictor, Flow	3841-0111-01	NS	WH, W25 Bench AC	7076-0887-02
11	Switch, Low Flow	0549-0019-02	NS	WH, W64 O2/Low Flow	7076-1017-01
12	Pump Assy, Vac 110V	0303-0104-01	NS	Cblasy, IR Analyzer	6004-0355-02
	Pump Assy, Vac 220V	0303-0107-01	NS	WH, IR Interface	7076-1014-01
13	Valve, Solenoid	0304-0035	NS	IC, Personality, Gas (A)	0773-2069-02
14	Valve, Solenoid 3-way	0304-0044-01	NS	IC, Personality, Gas (B)	0773-2069-08
15	Switch, Leak Check	0549-0017	NS	IC, Personality, Gas (PB)	0773-2069-07
16	Restrictor, Flow	3841-0101	NS	IC, Personality, Gas (NA)	0773-2069-05

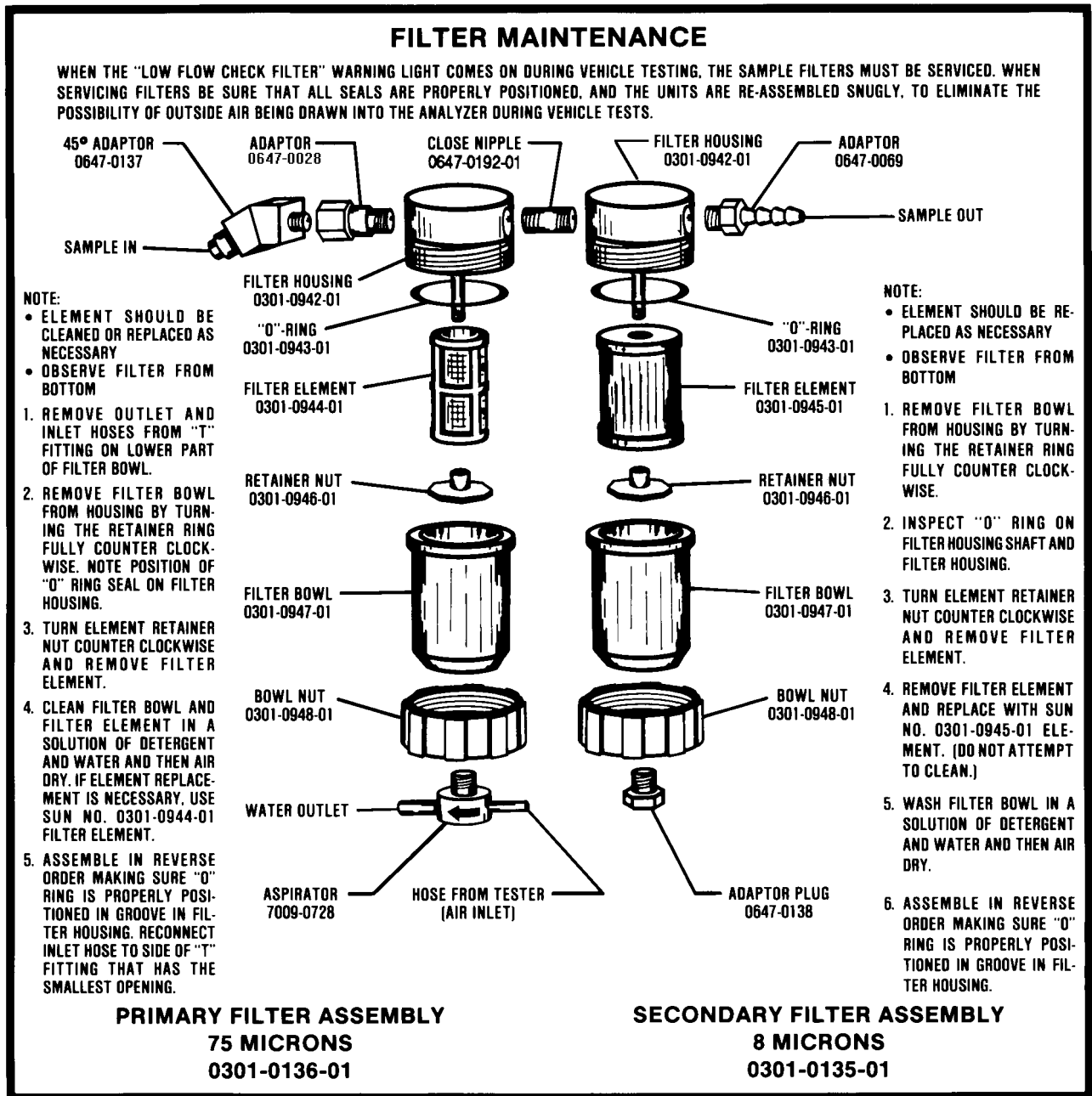
- The Personality Chip is not included with the board. Order the correct chip listed on this table

INFRARED DRAWER CONTINUED...



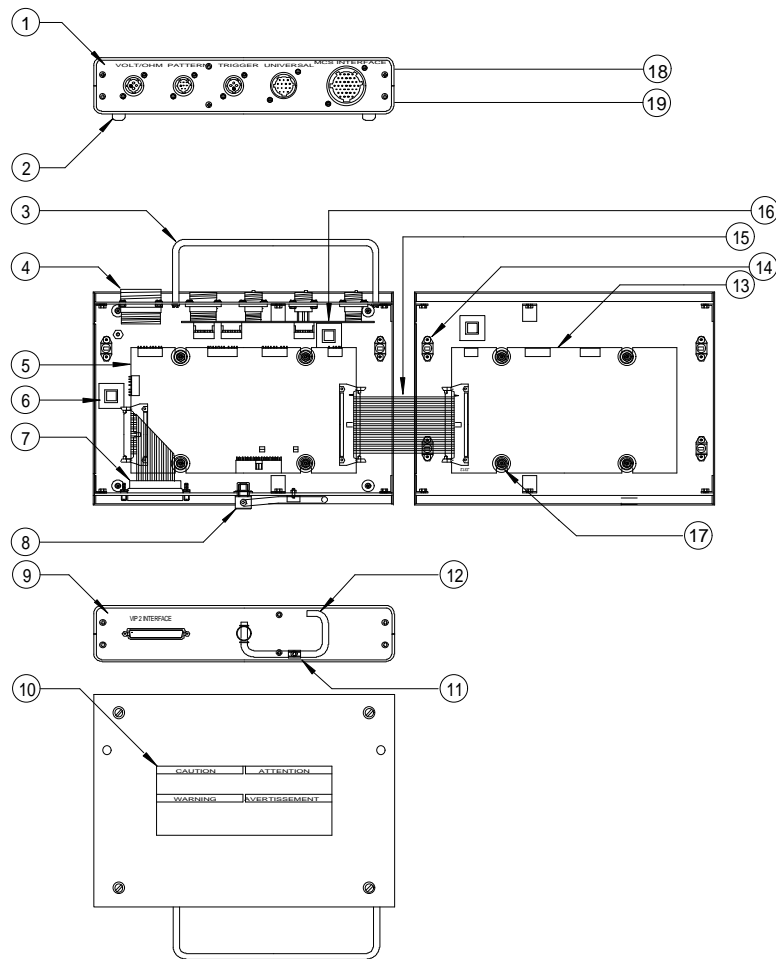
ITEM	DESCRIPTION	PART NUMBER	ITEM	DESCRIPTION	PART NUMBER
1	Plate, IR False	EASC026C92A	9	Fitting, Port Exhaust	7024-0325
2	Sensor, Oxygen	7049-0004-01	10	Filter Assy 75 & 8 Micron	7009-2024-01
3	Grommet	0501-0003		See Page. 20-6	
4	Nipple	2209	11	Button Plug 1 1/4"	1374-0102
5	Adapter, Pipe to Hose	0647-0073	12	Block O2 Sensor	7002-0261-01
6	Fitting	0647-0083	13	Cover, O2 Block	7014-1183-01
7	Label, Correlation	4600-0183	14	Drawer Assy, IR	2500E2300
8	Filter, Air	0301-0126	15	Bracket, Filter Mounting	7012-1382-01

FILTER MAINTENANCE



Label, Filter Maintenance 0682-0807-01

VIP 1

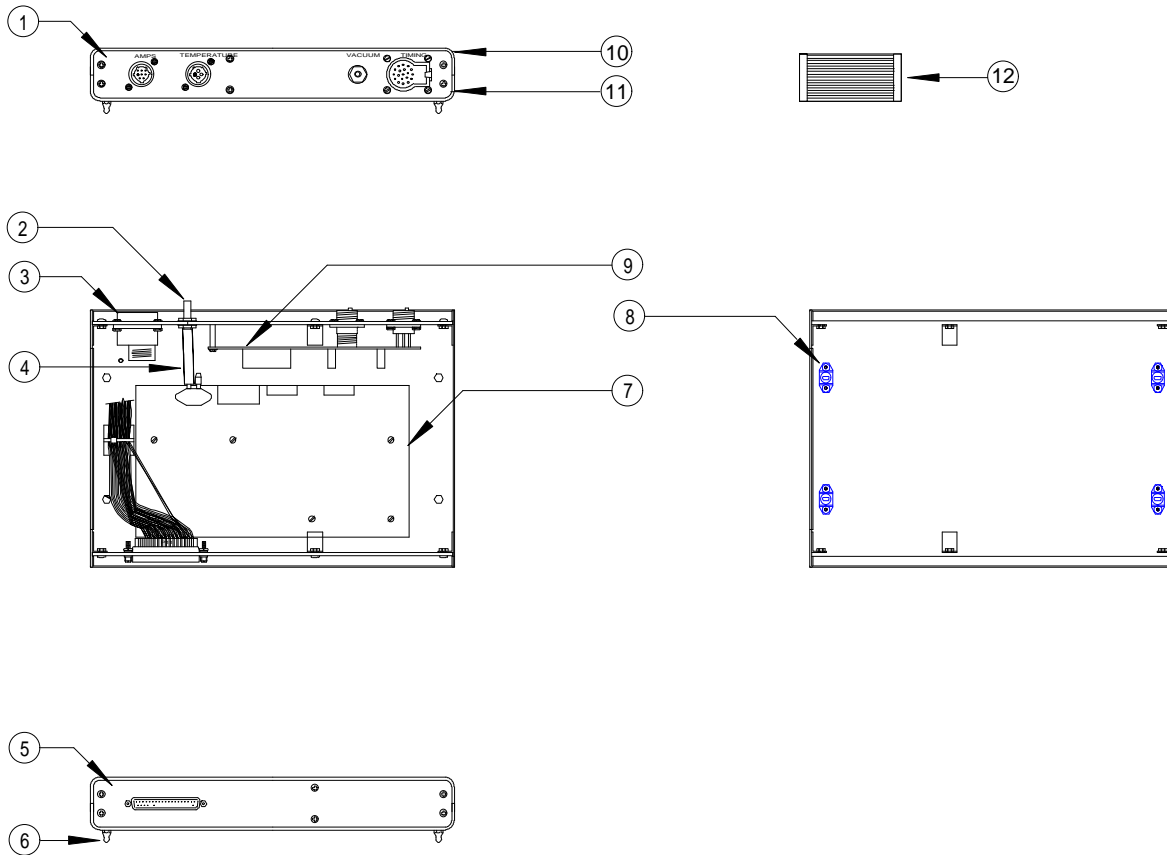


ITEM	DESCRIPTION	PART NUMBER	ITEM	DESCRIPTION	PART NUMBER
1	Plate, Connector	7003-0707-02	13	PC Bd, Pod 1 Analog	7001-2239-01
2	Bumper (4)	1489-0007	14	Catch (6)	5696-0007
3	Handle, Pod	0813-0061-01	15	Cblasy, W58, Ana/Dig	6004-0776-01
4	WH, W56 Umbilical Intern	7076-0990-01	16	PC Bd, Pod 1 Input	7001-2214-01
5	PC Bd, Pod 1 Digital* CCA, VIP-1 Digital*	7001-2238-01 EAP0076C00A	17	Shckmnt, Rubber, Blue	0561-0147-01
6	Cable Mount ABM2S-A-D	5878-0902	18	WA, Cover, Upper	7020-2115-02
7	Cblasy, W44, Pod 1-2	6004-0811-01	19	WA, Cover, Lower	7020-2114-02
8	Swivel, Pod Handle	0813-0903-01	NS	WH, W60, Ign/Pinpts	7076-0943-01
9	Plate, Hanger	7003-0708-02	NS	WH, W59, Pri/Coil/Bat	7076-0944-01
10	Label, Caution, Warning	0682-1000-01	NS	WH, W62, Mag Intercon	7076-0989-01
11	Clip, Hanger Clip, Hanger Vinyl Coat	0562-0022-01 0562-0023-02	NS	IC, Personality (A)	0773-2071-02
12	Hanger, Pod	7012-1484-01	NS	IC, Personality (B)	0773-2071-09
			NS	IC, Personality (PB)	0773-2071-07
			NS	IC, Personality (NA)	0773-2071-08

CHAPTER 20 PARTS

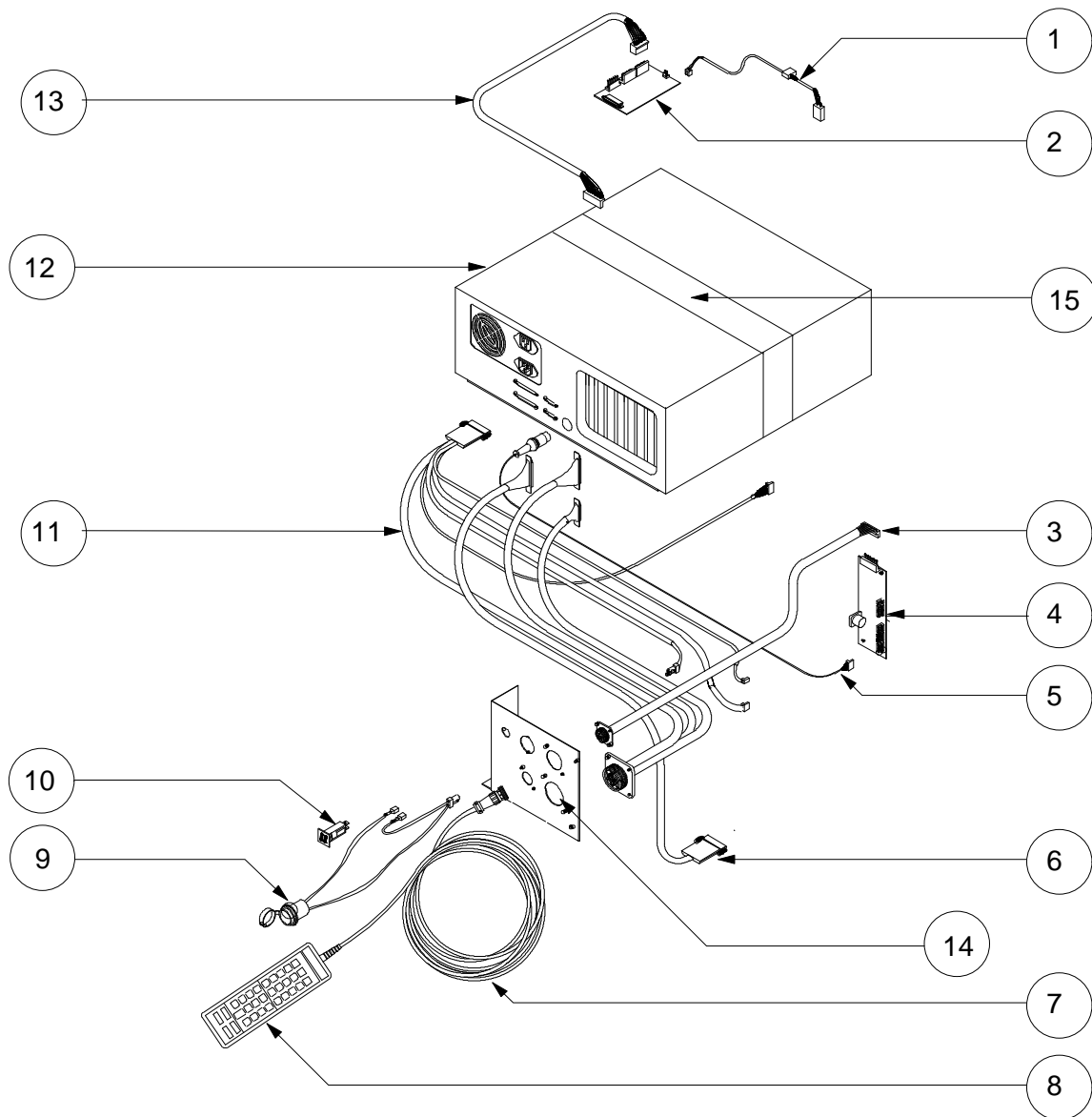
- The Personality IC Chip is not included with the board. Order the correct chip listed on this table

VIP 2



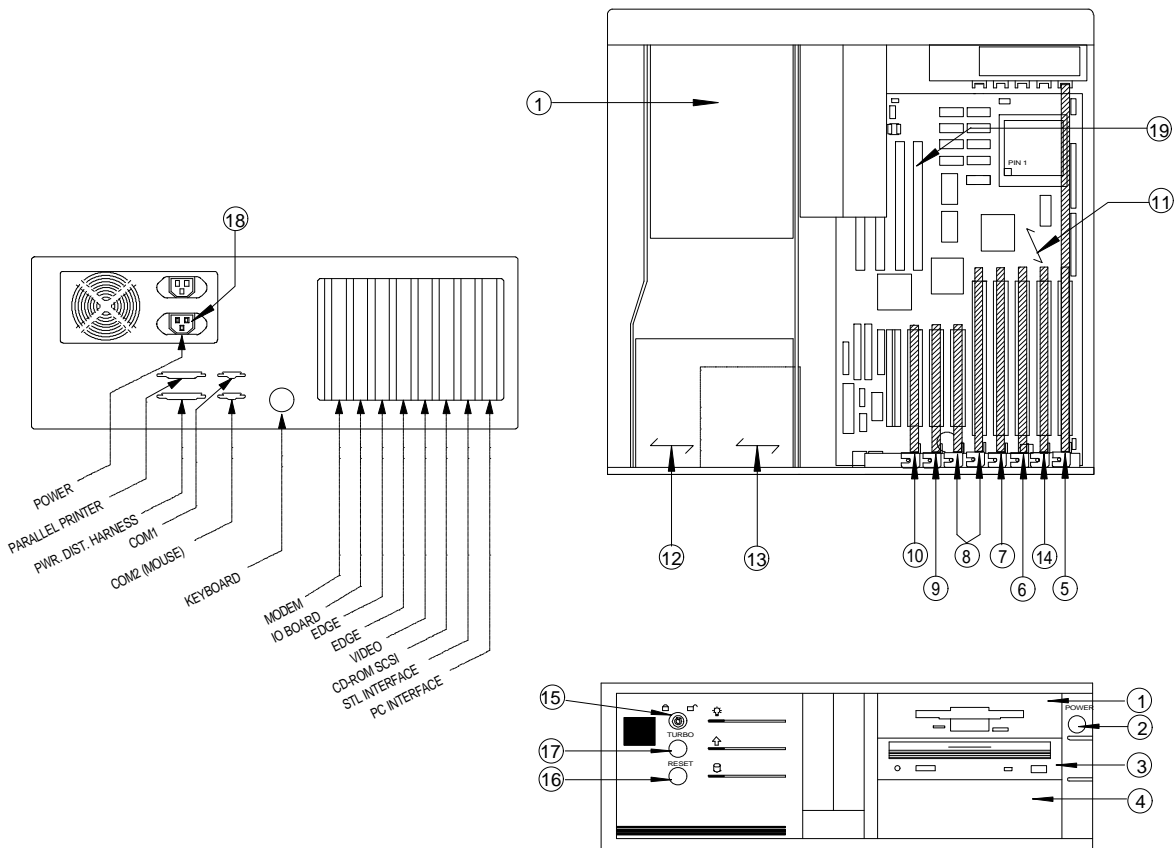
ITEM	DESCRIPTION	PART NUMBER	ITEM	DESCRIPTION	PART NUMBER
1	Plate, Connector	7003-0709-02	8	Catch	5696-0007
2	Nipple	2209	9	PC Bd, Pod 2 Input	7001-2237-01
3	WH, Internal Timing.	7076-0983-01		PC Bd, Pod 2 Input	EAP0079C00A
	WH, Internal Timing	EAX0014C00A	10	WA, Cover, Upper	7020-2117-02
4	Tubing, Vacuum to P2	8200-0223-01	11	WA, Cover, Lower	7020-2116-02
5	Plate, Rear	7003-0710-02	12	WH, W45 VIP2 Intrcnct	6004-0813-01
6	Fastener (4)	5696-0008	NS	WH, POD2, Amps	7076-0982-01
7	PC Bd, Pod 2 Main	7001-2236-01	NS	WH, POD 2, Timing	7076-0985-01
	PC Bd, Pod 2 Main	EAP0078C00A	NS	WH, W63 POD Infrface	7076-0991-01

INTERCONNECTION PARTS



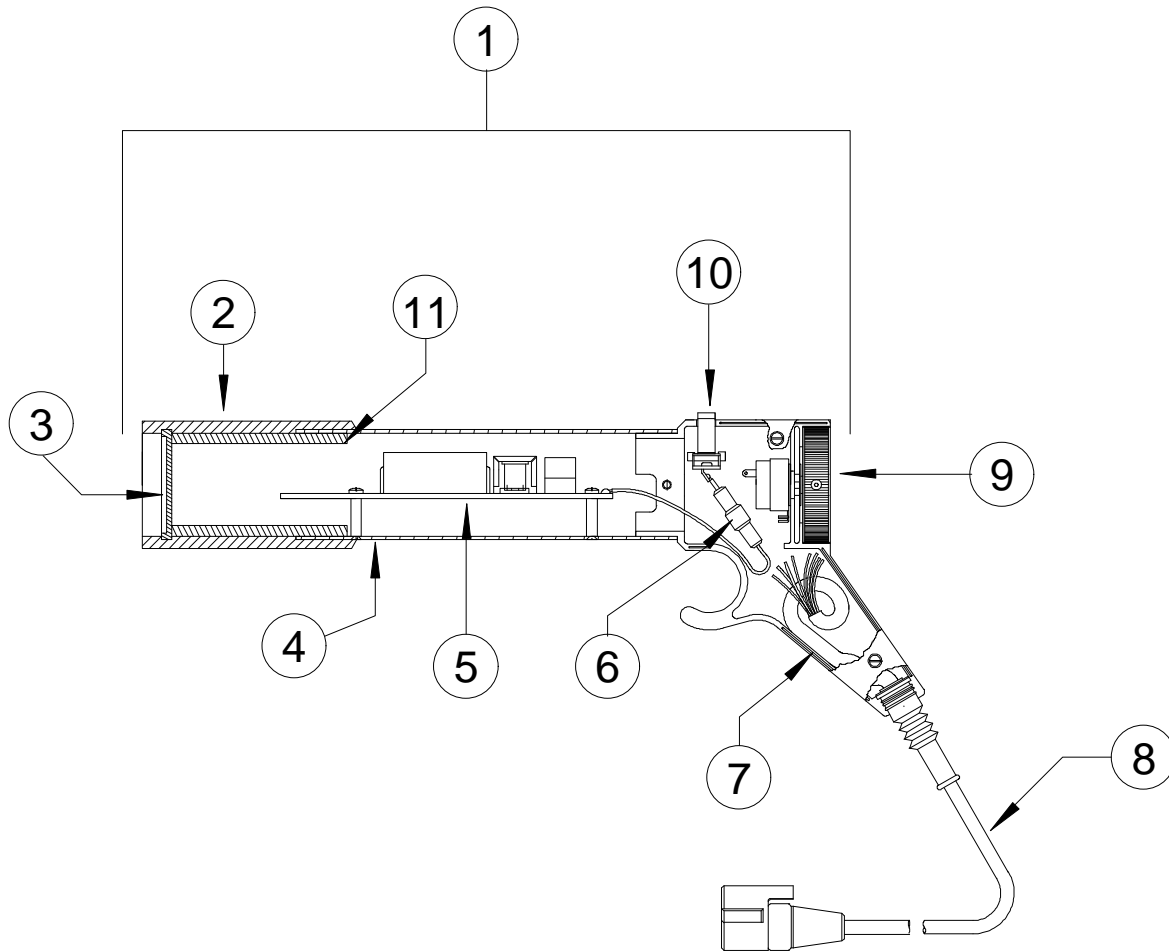
ITEM	DESCRIPTION	PART NUMBER	ITEM	DESCRIPTION	PART NUMBER
1	WH, PC Reset	7076-1012-01	11	WH, Host Pod	7076-1013-01
2	PC Bd., Power Dist.	7001-2300-01	12	Computer Assy.	See Page 20-10
3	Cblasy, Remote Control.	6004-0516-02	13	WH, Internal Power	7076-1011-01
4	PC Bd, Arbitrator	7001-2021-04	14	Plug, 5/8 Button	1374-0002
5	Cblasy, Keyboard Arbitrat	6004-0833-01		Button Plug, 27/32	1374-0119-01
6	Cblasy, Printer	6004-0707-01		Button Plug, 1 1/8	1374-0118-01
7	Cblasy, Remote Control	6004-0517		Button Plug, 1 1/4	1374-0102
8	See Page 20-12			Button Plug, 1 1/2	1374-0101
9	WH, +12VDC ACC Recpt	7076-0690-01	15	Strap, Velcro W/Ring	0424-0805-02
10	Circuit Breaker, 1/2 Amp	1922-0112-02	15a	Strap, Velcro Hook	0424-0806-02

PERSONAL COMPUTER



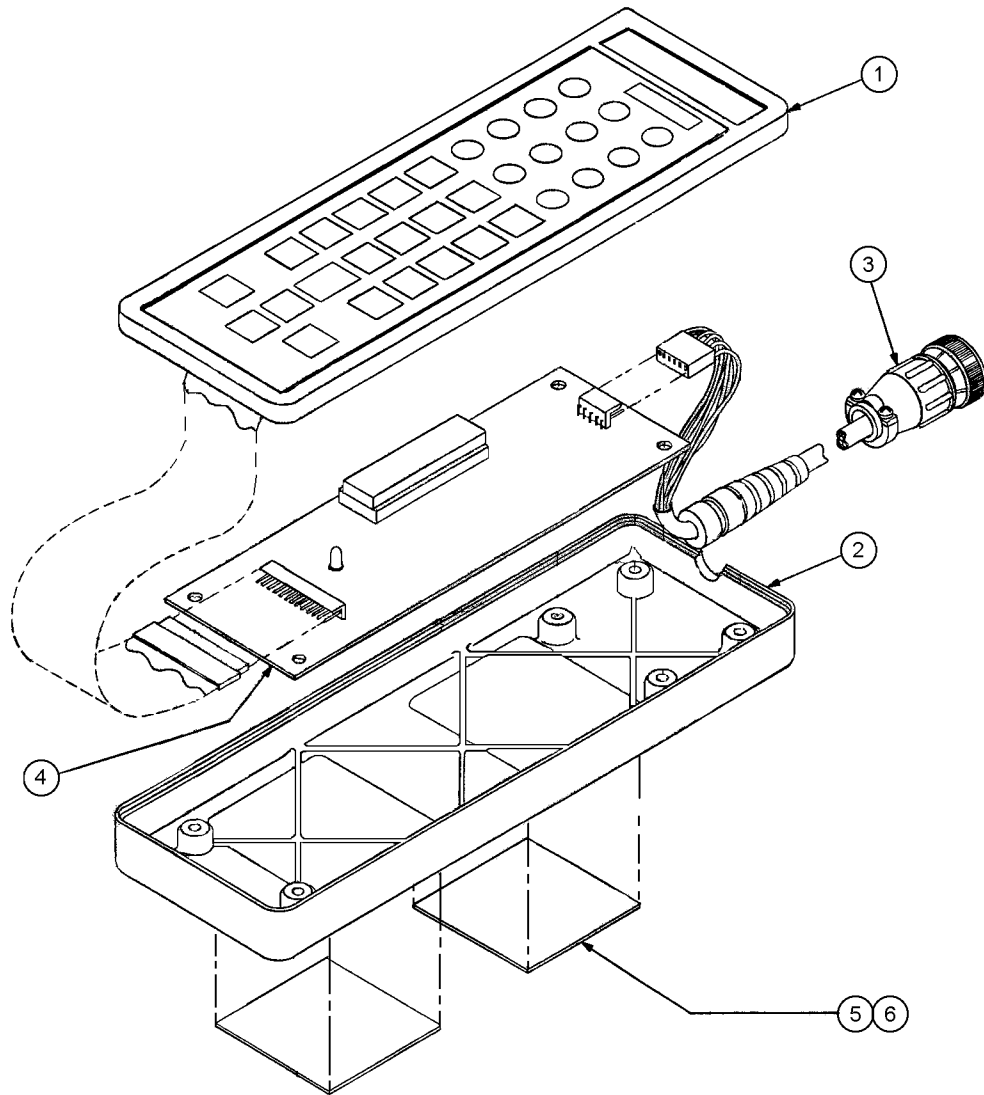
	DESCRIPTION	PART NUMBER	ITEM	DESCRIPTION	PART NUMBER
1	Drive, 3-1/2 Floppy	0552-0095-01	8b	Cable, SCSI 50 pin	6004-0757-01
2	Switch, Power Supply	See Item 12	8c	PC Bd., TMS	7001-2203-01
3	Drive, CD-ROM 4X (Caddy)	0552-0946-06	9	PC Bd., IO	7001-2311-01
	Drive, CD-ROM 4X	0552-0946-07		PC Bd., IO Drive Cont.	EAP0030C00A
	Drive, CD ROM SCSI 12X	EAE0017L00A	10	PC Bd., Modem 14.4 Baud	7001-2316-01
3a	Caddy, Disk	0552-0948-01	11	PC Bd., 486SX25	7001-2312-02
4	Drive, Hard 127Meg	0552-0096-01		PC Bd., 486DX266	EAE0001C01A
	Drive, Hard 214Meg	0552-0099-01	12	Power Supply 115V 200W	0532-0029-01
	Drive, Hard 261Meg	0552-0100-01	13	PC Bd., Power Dist.	7001-2300-01
	Drive, Hard 341Meg	0552-0101-01	14	PC Bd., STL Interface	7001-2301-01
	Drive, Hard 428Meg	0552-0108-01	15	Lock, Keyboard	Not Available
	Drive, Hard 540 Meg	0552-0109-01	16	Switch, Reset	Not Available
	Drive, Hard 631 Meg	EAE0004C00A	17	Switch, Turbo	Not Available
	Drive, Hard 720 Meg	0552-0110-01	18	AC Cord 115 Volt (PC)	6001-0197-02
	Drive, Hard 1 Gig	0552-0124-01	19	SIMM, 1Mx9 RAM 30 Pin	7001-2243-01
	Drive, Hard 1.2 Gig	EAE0003C00A		SIMM, 4Mx9 RAM 30 Pin	EAP0008C00A
5	PC Bd., PC Interface	7001-2303-03		SIMM, 4Meg RAM 72 Pin	EAP0051C00A
	CCA, PC Interface	7001-2303-04		SIMM, 8Meg RAM 72 Pin	EAP0056C00A
6	PC Bd., CD-ROM SCSI	0552-0947-01	NS	Cable, 25-Pin Serial	EAW0034C00A
	PC Bd., CD-ROM SCSI	0552-0947-02	NS	Cable, 9-Pin Serial	Not Available
6a	Cblasy, W43, CD ROM Dat	6004-0796-01	NS	Disk, MS-DOS 5.0	0552-0082-01
7	PC Bd., Video, VGA	7001-2302-01	NS	Disk, MS DOS 6.22	0552-0104-01
	PC Bd., Video, SVGA 1Meg	EAP0011C00A	NS	Microsoft® Windows 3.11	0552-0125-01
8	PC Bd. HSS Interface	AP-160	NS	Mouse Pad	0552-0103-01
8a	PC Bd. Data Acquisition	7001-2212-01			

TIMING LIGHT



ITEM	DESCRIPTION	PART NUMBER	ITEM	DESCRIPTION	PART NUMBER
1	Timing Light Assy, 5ft	7009-1374-07	5c	Fuse, 2 Amp	0739-0106-09
	Timing Light Assy, 10ft	7009-1374-06	6	Fuse Holder	1417-0025
	Timing Light Assy	7009-1374-08	6a	Fuse, 1A Slo Blo	0739-0040
2	Lens Holder	7054-0021-01	7	Handle	7059-0511-01
3	Lens, Timing Light	0391-0007	8	Cblasy Timing, 5ft	6004-0758-02
4	Housing	7059-0406		Cblasy Timing, 10ft	6004-0758-01
5	PC Bd., Timing Light	7001-2044-01	9	Pot, Advance Trim	0685-0360
	PC Bd., Timing Light	7001-1231-01	9a	Knob Assembly	7009-1063
	PC Bd., Timing Light	7001-2313-01	9b	Overlay	4055-0187
5a	Flash Tube	1677-0011	10	Switch, Timing Light	0764-0207
	Flash Tube	3905	11	Tube, Reflector	7015-0059
5b	Transformer, Trigger	0007-8001			

REMOTE CONTROL ASSEMBLY



(7009-1921-02, Identified by a blue keypad)

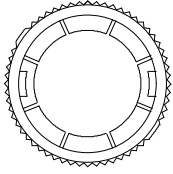
(7009-1921-03, Identified by a yellow keypad)

(7009-1921-04, Identified by a yellow keypad) (Pep Boys & National Account only)

ITEM	DESCRIPTION	PART NUMBER	ITEM	DESCRIPTION	PART NUMBER
1	Keypad, Remote (blue)	0552-0031	4	PC Bd, Remote (-02)	7001-0546
	Keypad, Remote (yellow)	0552-0086-01		PC Bd, Remote (-03,-04)	EAP0081C00A
1a	Insert, Keypad (-03)	0552-0090-01	4a	IC, Prom, Prog (-03)	0773-0581-09
	Insert, Keypad (-04)	0552-0090-02		IC, Prom, Prog (-04)	0773-0581-11
2	Remote Case, Lower	7054-0103	5	Magnetic, Flex Adhesive	0865-0112
3	Cblasy, Remote Control	6004-0517	6	Adhesive	0626-0070

CABLE LOCK RINGS AND SEALS

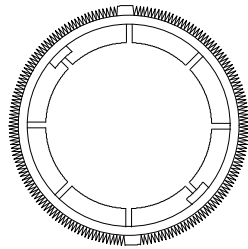
Full Size Drawing



Shell Size 11

PN 2-13148

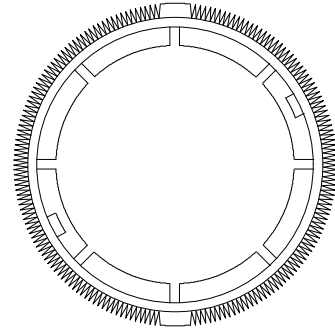
Seal PN 4162-0937



Shell Size 17

PN 2-13348

Seal PN 4162-0938

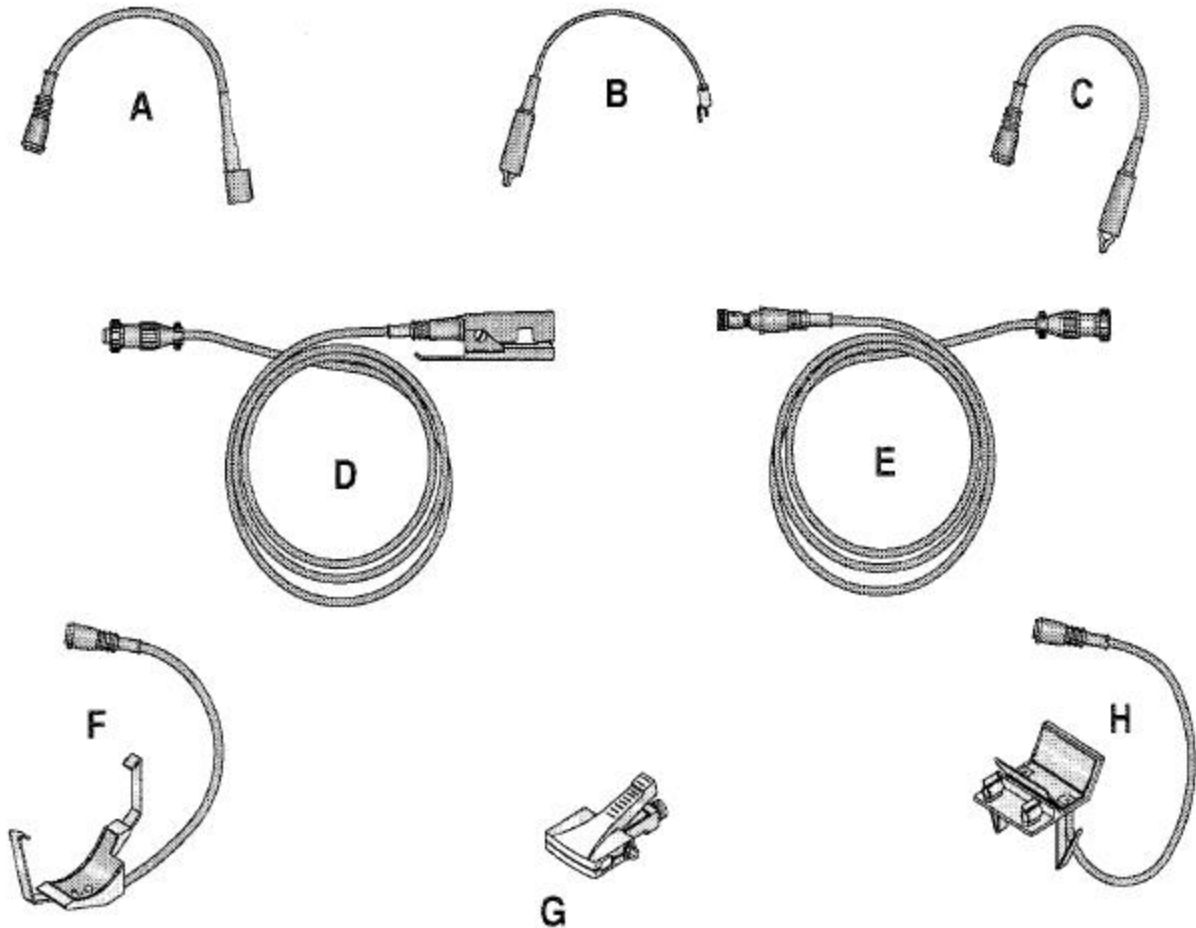


Shell Size 23

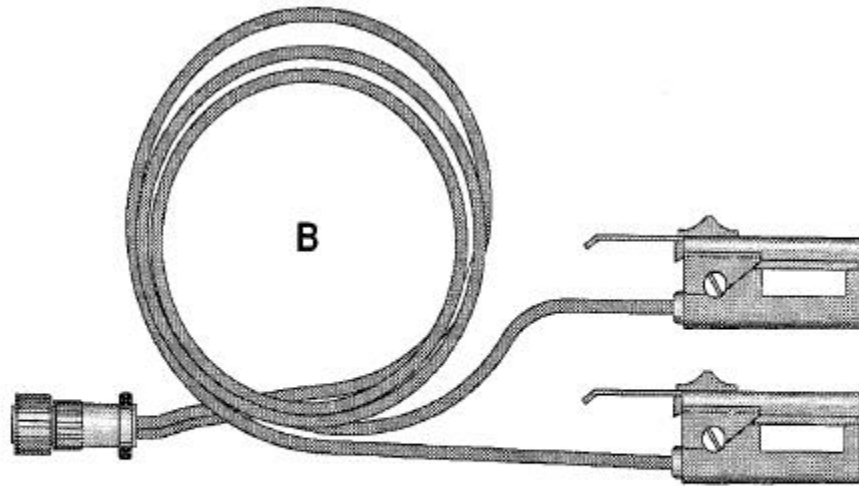
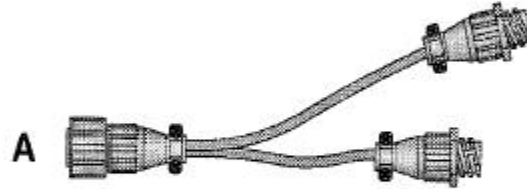
PN 2-13448

Seal PN 4162-0947

SECONDARY LEADS

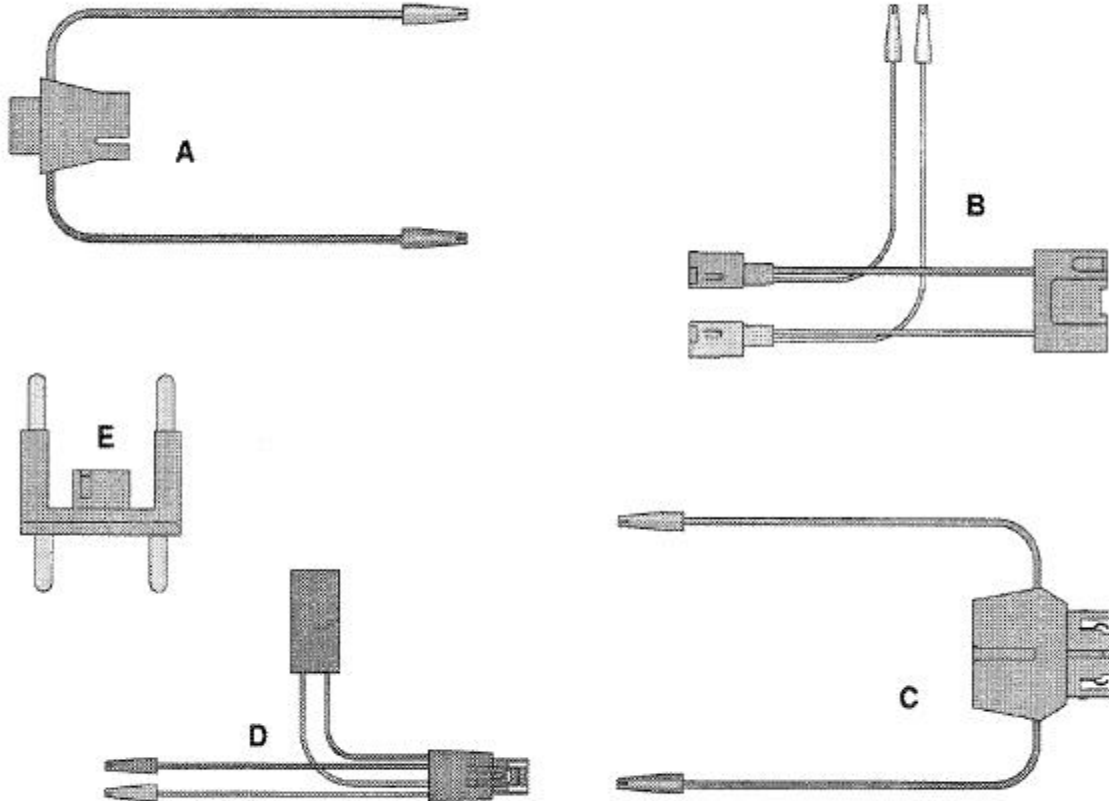


ITEM	DESCRIPTION	PART NUMBER
A	Isuzu/Spectrum/Civic/Integra Ignition Adapter	1747-0105
B	Lead Assembly, Primary	6002-0355
C	Adapter, Universal Integral Coil	6004-0819-01
	Conductive Sticker	0682-1049-01
D	Trigger Lead, Red, 5ft.	7009-2325-01
	Trigger Lead, Red, 10ft.	7009-2325-02
E	Secondary Lead, Blue, 5ft.	6004-0763-01
	Secondary Lead, Blue, 10ft.	6004-0763-02
F	Pattern Pick-up, Toyota ASM	1747-0103
G	Pattern Pick-up, Chrome	1747-0101
H	Pattern Pick-up, GM HEI	1747-0102

DISTRIBUTORLESS IGNITION LEADS

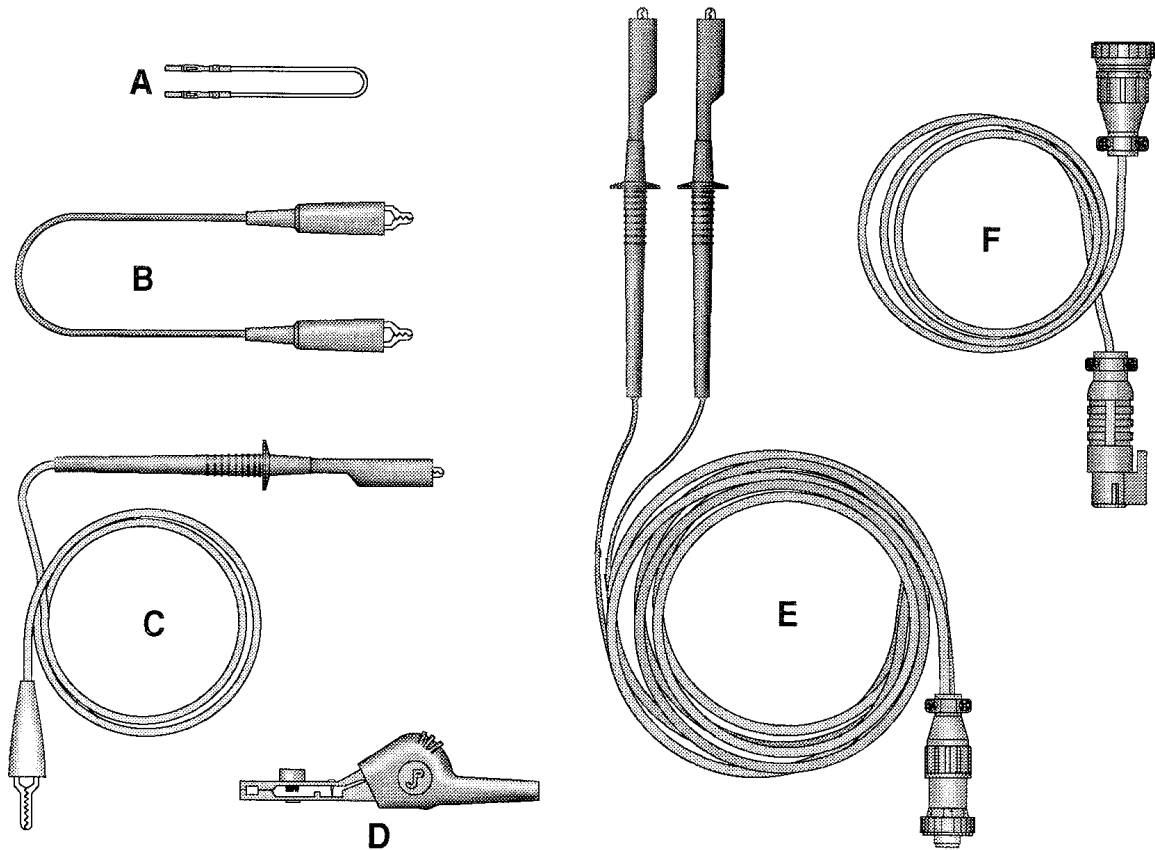
ITEM	DESCRIPTION	PART NUMBER
A	Distributorless Ignition Y Adapter	6004-0775-02
B	Distributorless Ignition Pickup, 5ft.	6004-0544-01
	Distributorless Ignition Pickup, 10ft.	6004-0544-02

PRIMARY ADAPTORS



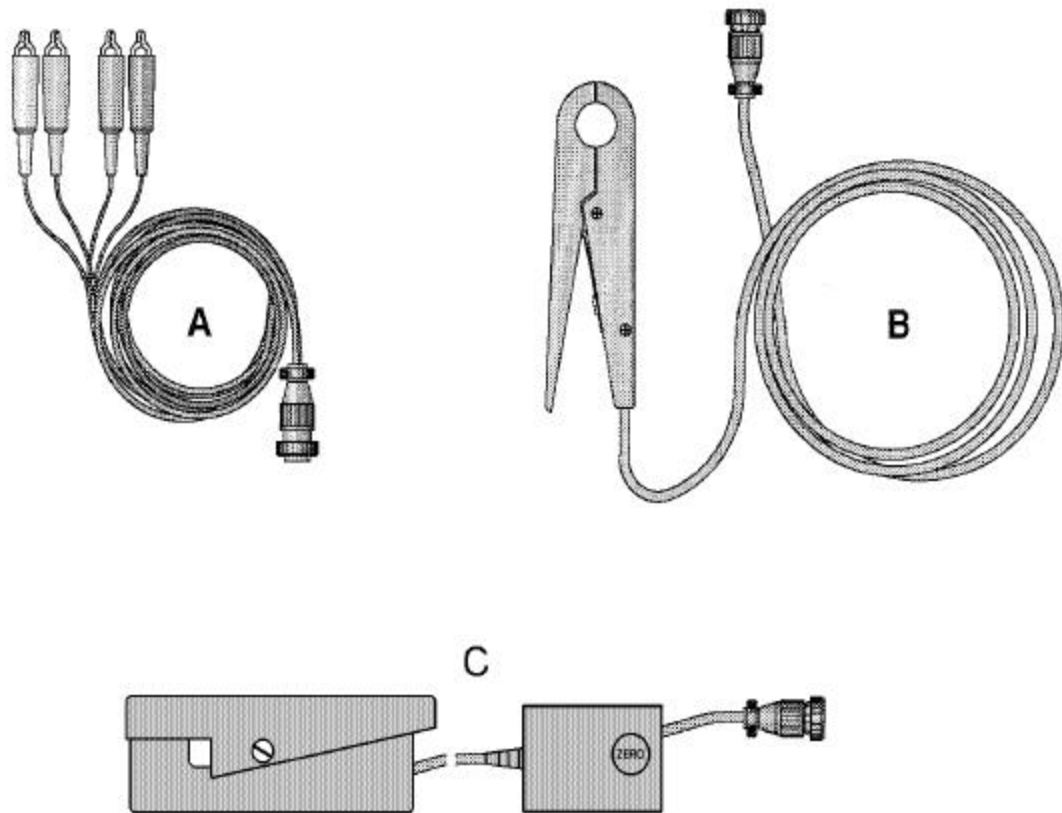
ITEM	DESCRIPTION	PART NUMBER
A	Adapter, GM Micro Pack (THX388)	0552-0045
B	Adapter, GM External Coil (THX376)	0552-0044
C	Adapter Ford TFI Coil (THX386)	0552-0074-01
D	Adapter, Chrysler Primary Ignition (THX433)	0552-0120-01
E	Adapter, Multipurpose Coil (THX367)	0552-0043

PINPOINT LEADS

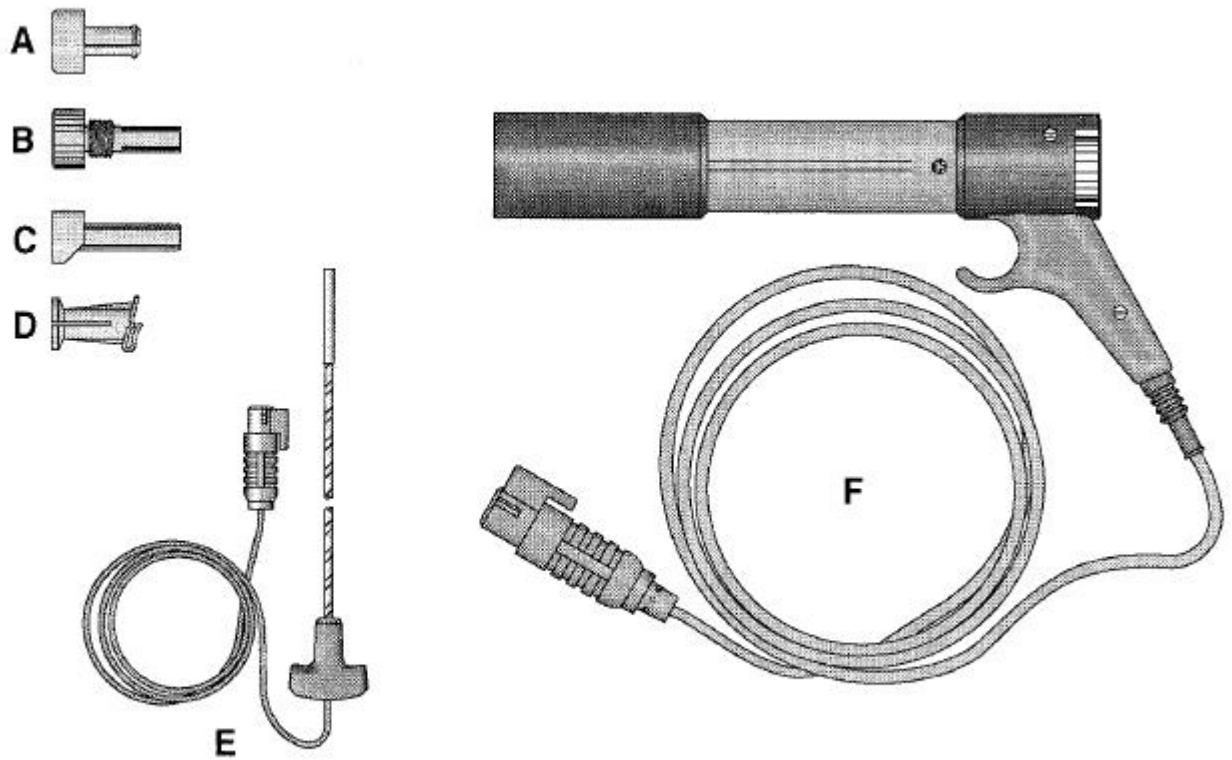


ITEM	DESCRIPTION	PART NUMBER
A	Jumper Wire	6002-0349
B	Lead Assy, 15" Jumper, Red	002-0133-15
C	Probe Jumper Lead Assy	6002-0346
D	Insulation Piercing Test Clip	0672-0035-01
E	Test Lead, Volt/Ohm, Pink 10 ft (MCS 2500/ MCS 4000)	6004-0462
	Test Lead, Volt/Ohm, Pink 5 ft (MCS 2500/ MCS 4000)	6004-0462-01
F	Adapt-O-Cable	EAW0060C00A

BATTERY/AMPS LEADS



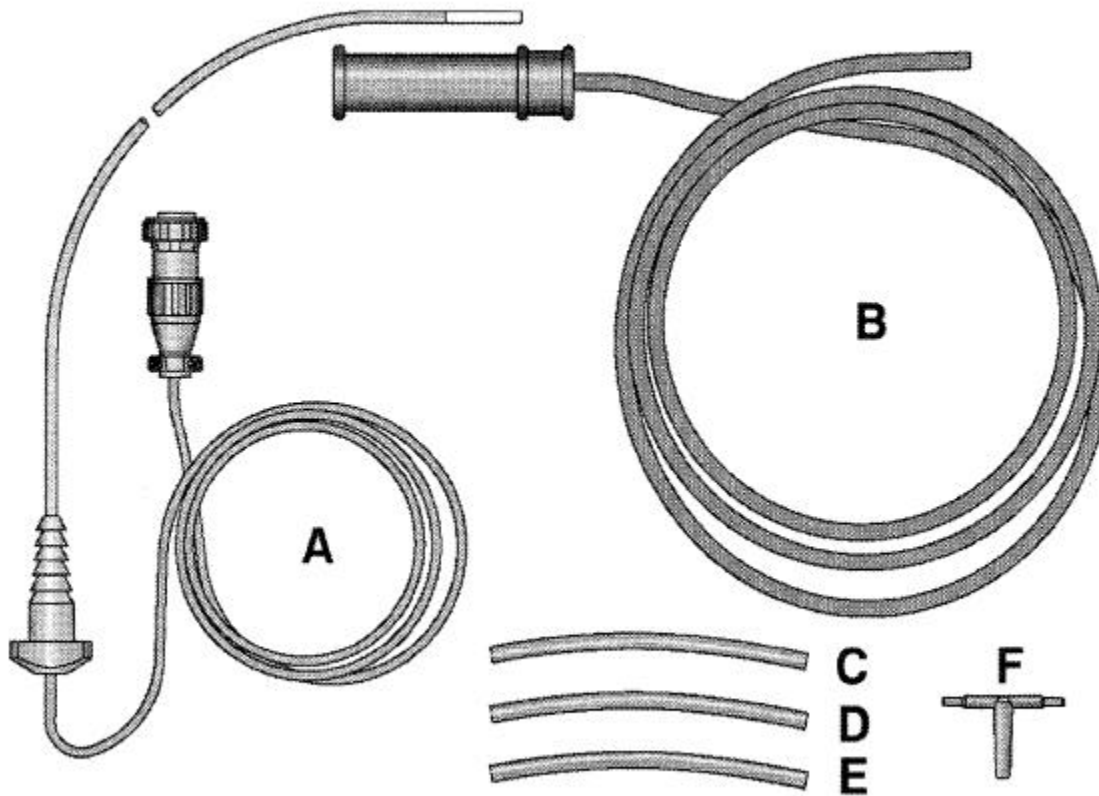
ITEM	DESCRIPTION	PART NUMBER
A	Test Lead, Universal 5ft	6005-0182-01
	Test Lead, Universal 10ft	6005-0182-02
B	Test Lead, Amps 10ft	6005-0171
	Test Lead, Amps 5ft	6005-0171-01
	Current Pickup & Lead Assy	6005-0171-03
C	Probe, Low Amps (PEP Boys and National Accounts only)	MT3000A440M



TIMING LEADS AND ADAPTORS

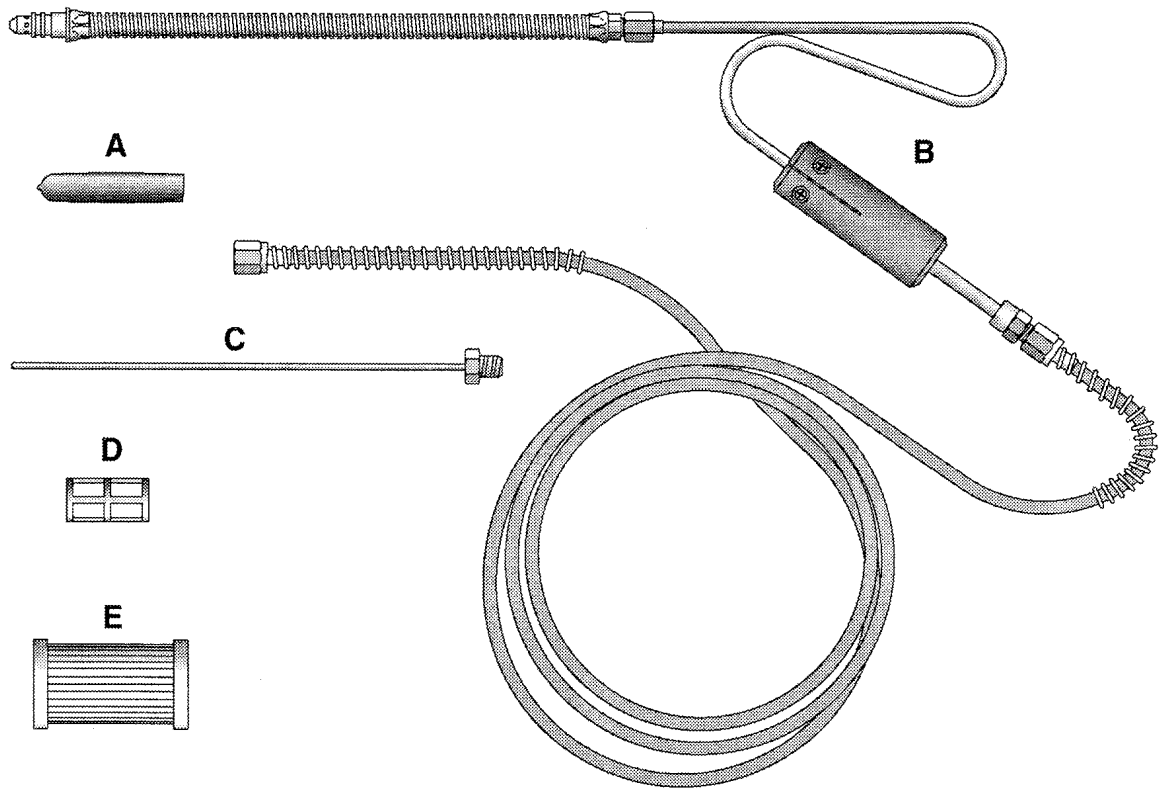
ITEM	DESCRIPTION	PART NUMBER
A	Adapter, Ford Magnetic Timing Probe, F1	7054-0056
B	Adapter, Ford Magnetic Timing Probe, F2	7054-0060
C	Adapter, Chrysler Magnetic Timing Probe, C2	7054-0062
D	Adapter, Chrysler Magnetic Timing Probe, C1	7054-0057
E	Magnetic Timing Probe, 10ft.	7009-2334-01
	Magnetic Timing Probe, 5ft.	7009-2334-02
	Magnetic Probe Test Lead Assembly	7009-2334-03
F	Timing Light Assembly, 10ft. (see page 20-11 for breakdown)	7009-1374-06
	Timing Light Assembly, 5ft. (see page 20-11 for breakdown)	7009-1374-07
	Timing Light Assembly (see page 20-11 for breakdown)	7009-1374-08

MISCELLANEOUS ACCESSORIES



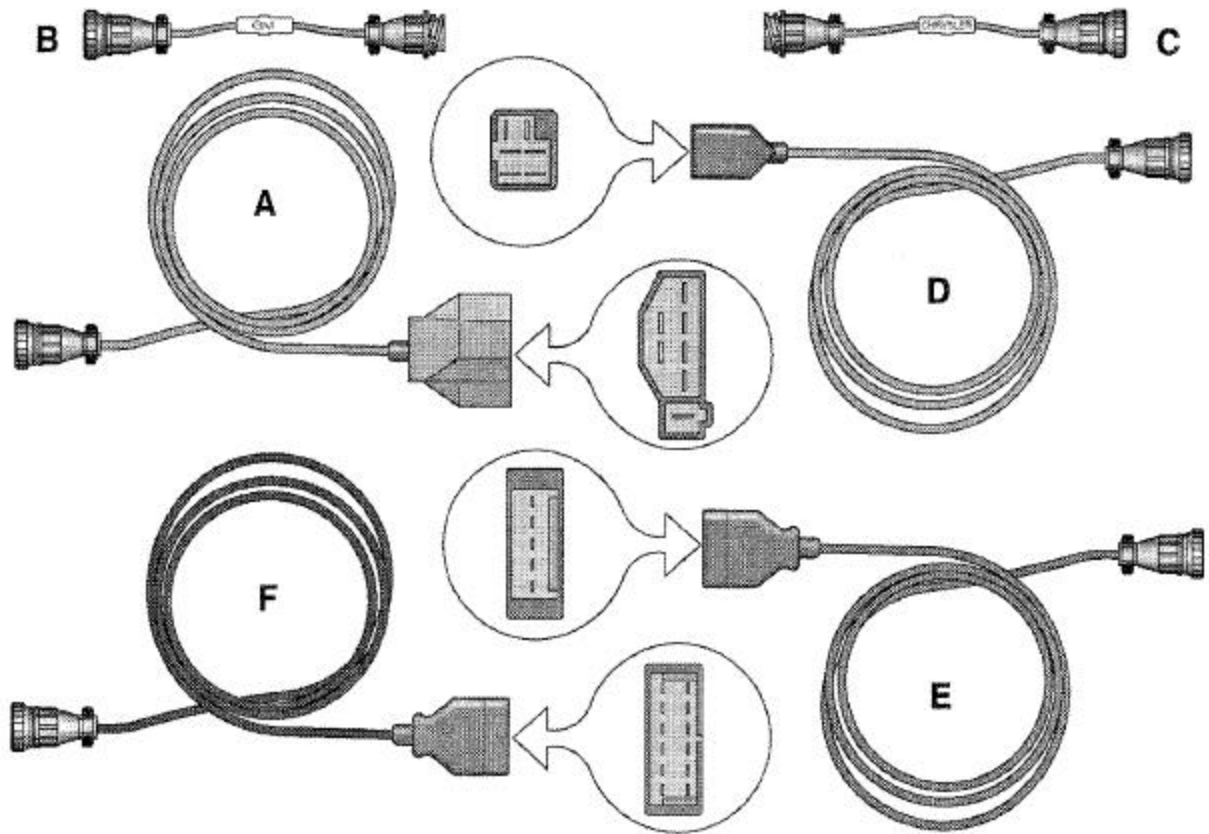
ITEM	DESCRIPTION	PART NUMBER
A	Probe Assy, Oil Temperature 10ft	6004-0407
	Probe Assy, Oil Temperature 5ft	6004-0407-02
B	Vacuum Hose, 10ft.	6006-0003
	Vacuum Hose, 5ft.	6006-0003-01
	Vacuum Hose	6006-0003-02
C	Vacuum Hose, 1/8 x 5/16 x 6	0669-0623
D	Vacuum Hose, 3/16 x 5/16 x 6	0669-0733
E	Vacuum Hose, 1/4 x 7/16 x 6	0669-0734
F	Tee, Vacuum	0647-0170

EXHAUST COMPONENTS



ITEM	DESCRIPTION	PART NUMBER
A	Exhaust Probe Cap	0787-0035
B	Exhaust Probe	7009-1869-01
	Hose, Exhaust Probe	3988-0255-01
C	Adapter, Sample Probe, Needle	0507-0025-01
D	Filter Element, 8 Micron	0301-0945-01
E	Filter Element, 75 Micron	0301-0944-01

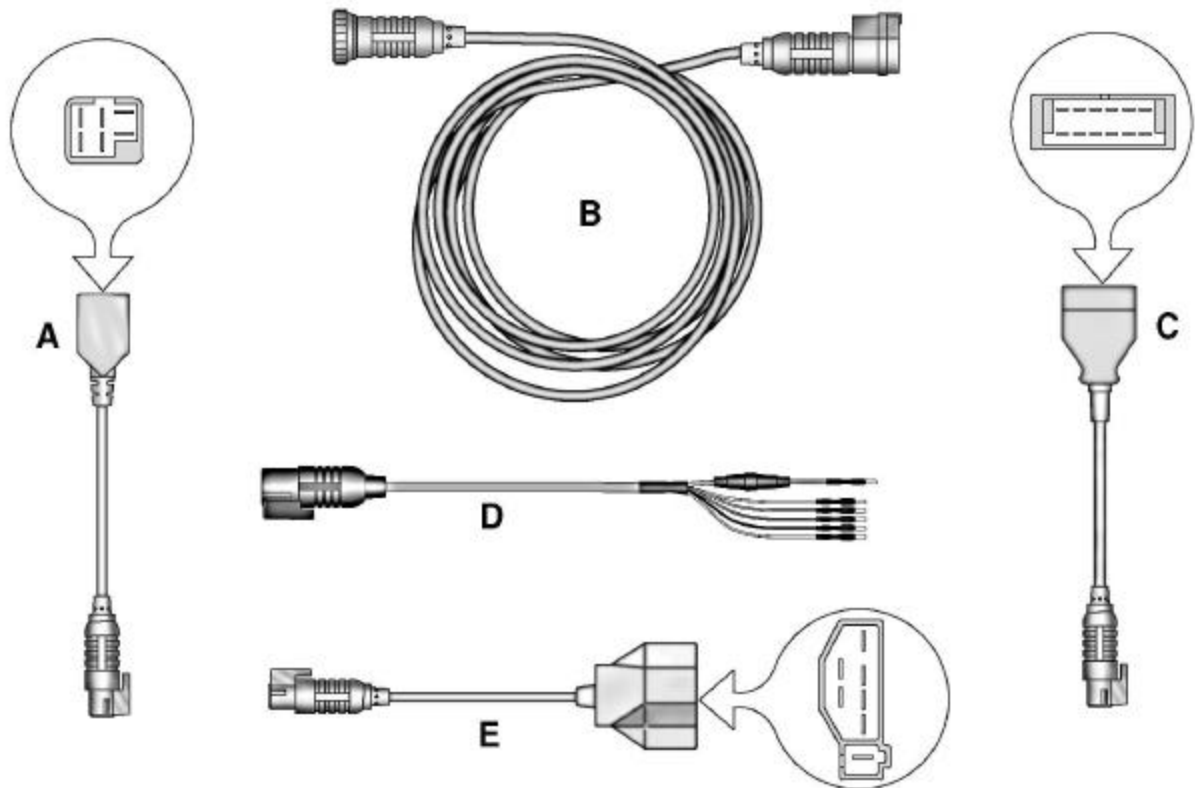
LEADS & ACCESSORIES, OLD STYLE SUN TEST LINK LEADS AND ADAPTORS



ITEM	DESCRIPTION	PART NUMBER
A	Test Lead, Adapter, STL, Ford EEC-IV/MCU	6004-0443
B	Test Lead, Adapter, STL, GM Fast Stream	6004-0524
C	Test Lead, Adapter, STL, Chrysler Fast Stream	6004-0525
D	Test Lead, Adapter, STL, Chrysler Non L/H Models	6004-0442
E	Test Lead, Adapter, STL, GM 5 Pin	6004-0417
F	Test Lead, Adapter, STL, GM 12 Pin	6004-0522
NS	Test Lead, Adapter, STL, GM 12 Pin	6004-0531-01
NS	Test Lead, Adapter, STL, Fast Stream 12 Pin to 12 Pin "Vin 8"	6004-0782-01
NS	Test Lead, Adapter, STL, Chrysler Non L/H Models	6004-0698-01

NOTE: Shown on this page is the old style STL cables for the new style of STL cables and adapters refer to NPR #44-2.

LEADS & ACCESSORIES, NEW STYLE SUN TEST LINK LEADS AND ADAPTORS



ITEM	DESCRIPTION	PART NUMBER
A	Test Lead, Adapter, STL, Chrysler Non L/H Models	6004-0716-01
B	Test Lead, Adapter, STL, Universal Extension	6004-0723-01
C	Test Lead, Adapter, STL, GM 12 Pin	6004-0717-01
D	Test Lead, Adapter, STL, Universal	6004-0795-01
E	Test Lead, Adapter, STL, Ford EEC-IV/MCU	6004-0718-01
NS	Test Lead, Adapter, STL, GM 5 Pin	6004-0719-01
NS	Test Lead, Adapter, STL, 90 & Up Escort GT, Mazda 323, Miata, MPV	6004-0720-01
NS	Test Lead, Adapter, STL, Ford Probe, ABS	6004-0721-01
NS	Test Lead, Adapter, STL, GEO Metro	6004-0722-01
NS	Test Lead, Adapter, STL, GM ABS 12 pin to 12 Pin. "H"	6004-0783-01
NS	Test Lead, Adapter, STL, Chrysler 12 Pin	6004-0832-01

NOTE: *The Universal Adapter 6004-0795-01 will give you limited OBD2 support on some GM vehicles. Refer to Quick Reference Guide 0692-2423-01 for proper adapter hookup.*

PARTS IN NUMERICAL ORDER

PART NUMBER	DESCRIPTION	A	B	NA	PB	SP	COMMENTS
0002-0133-15	Lead Assy, 15" Jumper, Red		X	X	X		
0007-8001	Transformer, Trigger	X	X	X	X		
0201	Nipple		X	X	X		
0301-0126	Filter, Air	X	X	X	X	X	
0301-0135-01	Filter Assy, 8 Micron	X	X	X	X	X	
0301-0136-01	Filter Assy, 75 Micron	X	X	X	X	X	
0301-0942-01	Filter Housing	X	X	X	X	X	
0301-0943-01	"O" Ring	X	X	X	X	X	
0301-0944-01	Filter Element, 75 Micron	X	X	X	X	X	
0301-0945-01	Filter Element, 8 Micron	X	X	X	X	X	
0301-0946-01	Retainer Nut	X	X	X	X	X	
0301-0947-01	Filter Bowl	X	X	X	X	X	
0301-0948-01	Bowl Nut	X	X	X	X	X	
0303-0104-01	Pump Assy, Vacuum 110V	X	X	X	X	X	
0303-0107-01	Pump Assy, Vacuum 220V	X	X	X	X	X	
0304-0035	Valve, Solenoid	X	X	X	X	X	
0304-0044-01	Valve, Solenoid 3-way	X	X	X	X	X	
0391-0007	Lens, Timing Light	X	X	X	X		
0424-0804-01	Velcro, Loop, 5/8 Wide		X	X	X	X	
0424-0804-02	Velcro, Hook, 5/8 Wide		X	X	X	X	
0424-0805-02	Strap, Velcro, Tank W/Ring	X	X	X	X	X	
0424-0806-02	Strap, Velcro, Tank, Hook, Loop	X	X	X	X	X	
0501-0003	Grommet		X	X	X		
0507-0025-01	Adapter, Sample Probe, Needle		X	X	X	X	
0528-0029-01	Printer, 24 pin 110V, AMT242	X	X	X	X	X	
0528-0029-02	Printer, 24 Pin 220VAC	X	X				
0528-0994	Printer Paper	X	X	X	X	X	
0528-1065-01	Printer Ribbon	X	X	X	X	X	
0528-1067-01	Belt, Drive	X					
0532-0029-01	Power Supply 115V 200W	X	X	X	X	X	
0549-0017	Switch, Leak Check	X	X	X	X	X	
0549-0019-02	Switch, Low Flow	X	X	X	X	X	
0552-0031	Keypad, Remote (blue)	X					
0552-0043	Adapter, Multipurpose Coil (THX367)	X	X	X	X	X	
0552-0044	Adapter, GM External Coil (THX376)	X	X	X	X	X	
0552-0045	Adapter, GM Micro Pack (THX388)	X	X	X	X	X	
0552-0074-01	Adapter Ford TFI Coil (THX386)	X	X	X	X	X	
0552-0082-01	Disk, MS-DOS 5.0	X					
0552-0086-01	Keypad, Remote (yellow)		X	X	X		
0552-0089-01	Mouse, Honeywell	X					
0552-0090-01	Insert, Keypad		X				
0552-0090-02	Insert, Keypad			X	X		
0552-0095-01	Drive, 3-1/2 Floppy	X	X	X	X	X	
0552-0096-01	Drive, Hard 127Meg	X					
0552-0099-01	Drive, Hard 214Meg	X					
0552-0100-01	Drive, Hard 261Meg	X					
0552-0101-01	Drive, Hard 341Meg	X					
0552-0103-01	Mouse Pad	X	X	X	X	X	
0552-0104-01	Disk, MS-DOS 6.22	X	X	X	X	X	
0552-0105-01	Keyboard Skin	X					
0552-0108-01	Drive, Hard 428Meg	X	X	X	X	X	
0552-0109-01	Drive, Hard 540 Meg	X	X	X	X	X	
0552-0110-01	Drive, Hard 720 Meg	X	X	X	X	X	
0552-0116-01	Mouse, 3 Button, Black		X	X	X	X	

PART NUMBER	DESCRIPTION	A	B	NA	PB	SP	COMMENTS
0552-0117-01	Keyboard, 101 Keys, Black		X	X	X	X	
0552-0120-01	Adapter, Chrysler Pri Ign (THX433)	X	X	X	X	X	
0552-0124-01	Drive, Hard 1 Gig		X	X	X	X	
0552-0125-01	Microsoft® Windows 3.11	X	X	X	X	X	
0552-0946-06	Drive, CD-ROM 4X (w/Caddy)	X					
0552-0946-07	Drive, CD-ROM 4X	X	X	X	X		
0552-0947-01	PC Bd., CD-ROM SCSI	X					
0552-0947-02	PC Bd., CD-ROM SCSI		X	X	X	X	
0552-0948-01	Caddy, Disk	X					
0552-3005-01	Keyboard	X					
0553-0581-09	IC, PROM, Programmed		X				
0561-0144-01	Mount, Rubber w/8-32 insert		X	X	X	X	
0561-0147-01	Shock mount, Rubber, Blue		X	X	X	X	
0562-0022-01	Clip, Hanger	X	X	X	X	X	
0562-0023-02	Clip, Hanger Vinyl Coated		X	X	X	X	
0564-0002	Nozzle		X	X	X		
0587-0504	Fan, 115V Axial	X	X	X	X	X	
0587-0507-01	Fan, 220V Axial	X					
0626-0070	Adhesive	X	X	X	X		
0647-0028	Adapter	X	X	X	X	X	
0647-0044	Elbow, Fitting		X	X	X	X	
0647-0069	Adapter Fitting	X	X	X	X	X	
0647-0070	Adapter, Pipe to Hose, 1/8 NPT		X	X	X	X	
0647-0073	Adapter, Pipe to Hose		X	X	X	X	
0647-0083	Fitting		X	X	X	X	
0647-0102	Tee, Gas Drawer	X	X	X	X	X	
0647-0137	Elbow, 45° Adapter 159F-6-4	X	X	X	X	X	
0647-0138	Adapter Plug Fitting N2HPL	X	X	X	X	X	
0647-0170	Tee, Vacuum	X	X	X	X	X	
0647-0186	Tee, Fitting N4TUB-4		X	X	X	X	
0647-0192-01	Close Nipple, 1/8", 1 1/2" Long	X	X	X	X	X	
0647-0239-01	Adapter, Elbow		X	X	X	X	
0662-0230	Cblasy 220VAC	X	X				
0669-0220	Hose, Poly, 1/4 ID		X	X	X	X	
0669-0623	Vacuum Hose, 1/8 x 5/16 x 6	X	X	X	X	X	
0669-0733	Vacuum Hose, 3/16 x 5/16 x 6	X	X	X	X	X	
0669-0734	Vacuum Hose, 1/4 x 7/16 x 6	X	X	X	X	X	
0671-0649-01	Bag, 3X4 Gas Barrier	X	X	X	X	X	
0672-0031-01	Clip, Modified		X	X	X	X	
0672-0035-01	Insulation Piercing Test Clip	X	X	X	X	X	
0682-0294	Label, Fan Caution	X	X	X	X	X	
0682-0807-01	Label, Filter Maintenance	X	X	X	X	X	
0682-1000-01	Label, Caution, Warning	X	X	X	X	X	
0682-1001-01	Label, Caution UL/CSA	X	X	X	X	X	
0682-1049-01	Conductive Sticker	X	X	X	X	X	
0682-1089-01	Label, Power Warning	X	X	X	X	X	
0682-1091-01	Label, "SUN Printer"	X					
0682-1109-01	Label, Keyboard	X	X			X	
0682-1114-01	Label, Power	X	X	X	X	X	
0685-0360	Pot, Advance Trim	X	X	X	X		
0718-0103	Cable Clamp	X	X	X	X		
0720-0002	Channel	X	X	X	X	X	
0739-0040	Fuse, 1 amp slo-blo	X	X	X	X		
0739-0106-09	Fuse, 2 Amp	X	X	X	X		
0749-0031	Thermistor		X	X	X		
0758-0195-01	Knob, Cap	X	X	X	X	X	
0758-0206-01	Knob, Vacuum	X	X	X	X	X	
0764-0207	Switch, Timing Light	X	X	X	X		

CHAPTER 20 PARTS

PART NUMBER	DESCRIPTION	A	B	NA	PB	SP	COMMENTS
0773-0581-09	IC, PROM, Programmed	X	X			X	
0773-0581-11	IC, PROM, Programmed			X	X		
0773-2069-02	IC, Personality Digital PCB	X					
0773-2069-05	IC, Personality Digital PCB			X			
0773-2069-07	IC, Personality Digital PCB				X		
0773-2069-08	IC, Personality Digital PCB		X				
0773-2071-02	IC, Personality Digital PCB	X					
0773-2071-04	IC, Personality Digital PCB				X		EAP0067C00A
0773-2071-05	IC, Personality Digital PCB			X			7001-2305-01
0773-2071-07	IC, Personality Digital PCB				X		7001-2305-01
0773-2071-08	IC, Personality Digital PCB			X			EAP0067C00A
0773-2071-09	IC, Personality Digital PCB		X			X	EAP0067C00A
0773-2071-14	IC, Personality Digital PCB		X				7001-2305-01
0787-0035	Exhaust Probe Cap		X	X	X	X	
0813-0061-01	Handle, Pod	X	X	X	X	X	
0813-0903-01	Swivel, Pod Handle	X	X	X	X	X	
0859-0465-01	Monitor, 14" WY-670	X					
0859-0467-02	Monitor, 14 WY-1450A	X					
0859-0470-01	Monitor, GM-14S		X	X	X	X	
0859-0471-01	Monitor, 14" 7133S (Acer)		X	X	X	X	
0865-0112	Magnet, Flex Adhesive Backed	X	X	X	X		
1091-0303-01	Boom Kit (Complete)	X	X	X	X	X	
1095-0302-01	Handle (2) Kit	X	X	X	X	X	
1374-0002	Button Plug, 5/8	X	X			X	
1374-0101	Button Plug, 1 ½	X	X				
1374-0102	Button Plug, 1 ¼	X	X	X	X	X	
1374-0118-01	Button Plug, 1 1/8 Dia.	X	X			X	
1374-0119-01	Button Plug, 27/32 Dia.	X	X			X	
1417-0025	Fuse Holder	X	X	X	X		
1489-0007	Bumper (4)	X	X	X	X	X	
1677-0011	Flash Tube	X					
1747-0101	Pattern Pick-up, Chrome	X	X	X	X	X	
1747-0102	Pattern Pick-up, GM HEI	X	X	X	X	X	
1747-0103	Pattern Pickup, Toyota ASM			X	X		
1747-0105	Isuzu/Spect/Civic/Integra Ign Adapter			X	X		
1922-0112-02	Circuit Breaker,1/2 Amp	X	X	X	X	X	
2-13148	Shell, Size 11	X	X	X	X	X	
2-13348	Shell, Size 17	X	X	X	X	X	
2-13448	Shell, Size 23	X	X	X	X	X	
2161-0023	Cable Hanger	X	X	X	X	X	
2209	Nipple	X	X	X	X	X	
2500E00811	Front Cross Member	X	X	X	X	X	Production Item
2500E0711	Computer Back Panel Screened	X	X	X	X	X	Production Item
2500E0800A	WA, Front Panel Assy, Screened	X	X	X	X	X	Production Item
2500E0850	Storage Shelf Assy	X	X				Production Item
2500E1100A	WA, Computer Door Assy	X	X	X	X	X	Production Item
2500E2100	Drawer Assy, Keyboard	X	X	X	X	X	Production Item
2500E2106	Keyboard Partition	X	X	X	X	X	Production Item
2500E2150	Drawer Assy, Computer	X	X	X	X	X	Production Item
2500E2160	Plate, Lock	X	X	X	X	X	
2500E2200	Drawer Assy, Printer	X	X	X	X	X	
2500E2210	Printer Support Assy	X	X	X	X	X	
2500E2300	Drawer Assy – IR Screened		X	X	X	X	
2500E2400	Drawer, Storage	X	X	X	X	X	Production Item
3645-0056-01	Caster W/O Brake	X	X	X	X	X	
3645-0056-02	Caster W/ Brake	X	X	X	X	X	
3841-0101	Restrictor, Flow	X	X	X	X	X	
3841-0101-05	Restrictor	X	X	X	X	X	

PART NUMBER	DESCRIPTION	A	B	NA	PB	SP	COMMENTS
3841-0111-01	Restrictor, Flow	X	X	X	X	X	
3905	Flash Tube	X	X	X	X		
3988-0255-01	Hose, Exhaust Probe		X	X	X	X	
4055-0187	Overlay	X	X	X	X		
4162-0833	Connector, 8 pin	X					
4162-0937	Seal, Size 11	X	X	X	X	X	
4162-0938	Seal, Size 17	X	X	X	X	X	
4162-0947	Seal, Size 23	X	X	X	X	X	
4162-7067-01	Adapter, 9-to-25 pin	X					
4162-8067	Strip, IEC Power 220VAC	X	X				
4600-0183	Label, Correlation	X	X	X	X	X	
5696-0007	Catch	X	X	X	X	X	
5696-0008	Fastener (4)	X	X	X	X	X	
5878-0011	Strap	X	X	X	X	X	
5878-0015	Tie, Cable	X	X	X	X	X	
5878-0902	Mount, Cable ABM2S-A-D	X	X	X	X	X	
6001-0197-02	AC Cord 115 Volt (PC)	X	X	X	X	X	
6001-0198-01	AC Cord 220 Volt	X	X				
6001-0198-02	AC Cord 115 Volt (Printer/Monitor)	X	X	X	X	X	
6001-0203-01	Power Strip W/AC Cord	X	X	X	X	X	
6001-0204-01	AC Cord, 115VAC (IR Bench)	X	X	X	X	X	
6001-0205-01	AC Cord, 230VAC (IR Bench)	X	X				
6002-0346	Probe Jumper Lead Assy		X	X	X		
6002-0349	Jumper Wire		X	X	X		
6002-0355	Lead Assy, Primary			X	X		
6004-0355-02	Cblasy, IR Analyzer		X	X	X	X	
6004-0407	Probe Assy, Oil Temperature 10ft	X	X	X	X		
6004-0407-02	Probe Assy, Oil Temperature 5ft	X					
6004-0417	STL GM 5 Pin	X	X	X	X	X	
6004-0442	STL Chrysler Non L/H Models	X	X	X	X	X	
6004-0443	STL, Ford EEC-IV/MCU	X	X	X	X	X	
6004-0522	STL, GM 12Pin	X	X	X	X	X	
6004-0524	STL, GM Fast Stream	X	X	X	X	X	
6005-0525	STL, Chrysler Fast Stream	X	X	X	X	X	
6004-0462	Test Lead, Volt/Ohm 10ft	X	X	X	X	X	
6004-0462-01	Test Lead, Volt/Ohm 5ft	X					
6004-0495	Cable only	X					
6004-0516-02	Cblasy, Remote Control Int.	X	X	X	X		
6004-0517	Cblasy, Remote Control	X	X	X	X		
6004-0544-01	Distributorless Ignition Pickup, 5ft.	X					
6004-0544-02	Distributorless Ignition Pickup, 10ft.	X	X	X	X	X	
6004-0606-01	Cblasy, Modem Interface	X	X	X	X		
6004-0612-01	Cblasy, Pattern Pickup		X	X	X	X	
6004-0707-01	Cblasy, Printer	X	X	X	X	X	
6004-0716-01	STL, Chrysler Cable Adapter	X	X	X	X	X	
6004-0717-01	STL, GM 12 Pin Cable Adapter	X	X	X	X	X	
6004-0718-01	STL, Ford Cable Adapter	X	X	X	X	X	
6004-0719-01	STL, GM 5 Pin Cable Adapter	X	X	X	X	X	
6004-0720-01	STL, 90 & Up Mazda, Escort GT, MPV	X	X	X	X	X	Mazda, Miata
6004-0721-01	STL, Ford Probe, ABS	X	X	X	X	X	
6004-0722-01	STL, GEO Metro	X	X	X	X	X	
6004-0723-01	STL, Universal Extension	X	X	X	X	X	
6004-0731-01	STL, GM 12Pin	X	X	X	X	X	
6004-0757-01	Cable, SCSI 50 pin	X					
6004-0758-01	Cblasy, Timing Light	X					
6004-0758-02	Cblasy, Timing Light		X	X	X		
6004-0763-01	Secondary Lead, Blue, 5ft.	X					
6004-0763-02	Secondary Lead, Blue, 10ft.	X	X	X	X	X	

CHAPTER 20 PARTS

PART NUMBER	DESCRIPTION	A	B	NA	PB	SP	COMMENTS
6004-0764-02	Cblasy, High Density Pattern		X	X	X	X	
6004-0768-01	Cblasy, POD, Umbilical	X	X	X	X	X	
6004-0775-02	Distributorless Ignition Y Adapter		X	X	X		
6004-0776-01	Cblasy, W58, Ana/Dig	X	X	X	X	X	
6004-0782-01	STL, GM VIN 8 Adapter	X	X	X	X	X	
6004-0783-01	STL, BM ABS 12Pin-12 Pin H	X	X	X	X	X	
6004-0795-01	STL, Universal	X	X	X	X	X	
6004-0796-01	Cblasy, W43, CD ROM Data	X	X	X	X	X	
6004-0811-01	Cblasy, W44, Pod 1-2	X	X	X	X	X	
6004-0813-01	WH, W45, VIP2, Interconnect	X	X	X	X		
6004-0819-01	Adapter, Universal Integral Coil		X	X	X	X	
6004-0832-01	STL, Adapter New Style	X	X	X	X	X	Chrysler 12 Pin
6004-0833-01	Cblasy, Arbitrator Keyboard	X	X	X	X		
6005-0171	Test Lead, Amps 10ft	X					
6005-0171-01	Test Lead, Amps 5ft	X					
6005-0171-03	Current Pickup & Lead Assy		X	X	X		
6005-0182-01	Test Lead, Universal 5ft	X					
6005-0182-02	Test Lead, Universal 10ft	X	X	X	X	X	
6006-0003	Vacuum Hose, 10ft.	X	X	X	X		
6006-0003-01	Vacuum Hose, 5ft.	X					
6006-0003-02	Vacuum Hose		X	X	X	X	
7001-0546	PC Bd Assy, Remote	X					
7001-1231-01	PC Bd., Timing Light		X	X			
7001-2021-04	PC Bd., Arbitrator	X	X	X	X		
7001-2044-01	PC Bd., Timing Light	X					
7001-2203-01	PC Bd., TMS	X					
7001-2212-01	PC Bd., Data Acquisition	X					
7001-2214-01	PC Bd., Pod 1 Input	X	X	X	X	X	
7001-2236-01	PC Bd., Pod 2 Main	X					
7001-2237-01	PC Bd., Pod 2 Input	X					
7001-2238-01	PC Bd., Pod 1 Digital	X					
7001-2239-01	PC Bd., Pod 1 Analog	X	X	X	X	X	
7001-2243-01	SIMM, 1M X 9 RAM, 30 Pin	X					
7001-2280-01	PC Bd., Emissions Controller	X					
7001-2300-01	PC Bd., Power Distribution	X	X	X	X	X	
7001-2301-01	PC Bd., STL Interface	X	X	X	X	X	
7001-2302-01	PC Bd., Video, VGA	X					
7001-2303-03	PC Bd., PC Interface	X					
7001-2303-04	CCA, PC Interface		X	X	X	X	
7001-2304-01	PC Bd., Emissions Controller	X					
7001-2311-01	PC Bd., IO	X					
7001-2312-02	PC Bd., 486SX25	X					
7001-2313-01	PC Bd., Timing Light	X	X	X	X		
7001-2316-01	PC Bd., Modem, 14.4 Baud	X	X	X	X		
7002-0261-01	Block, O2 Sensor	X	X	X	X	X	
7002-0267-01	Roller, Boom Cable	X					
7003-0707-02	Plate, Connector	X	X	X	X	X	
7003-0708-02	Plate, Hanger	X	X	X	X	X	
7003-0709-02	Plate, Connector	X	X	X	X		
7003-0710-02	Plate, Rear	X	X	X			
7004-0354	Housing, Fan Filter	X	X	X	X	X	
7008-0054	Board, Terminal	X	X	X	X	X	
7009-0728	Aspirator	X	X	X	X	X	
7009-1063	Knob Assembly	X	X	X	X		
7009-1374-06	Timing Light Assembly 10ft	X	X	X			
7009-1374-07	Timing Light Assembly 5ft	X					
7009-1374-08	Timing Light Assy		X	X	X		
7009-1430	Valve Assembly	X	X	X	X	X	

PART NUMBER	DESCRIPTION	A	B	NA	PB	SP	COMMENTS
7009-1486-03	Diode Assy		X	X	X	X	
7009-1869-01	Exhaust Probe		X	X	X	X	
7009-1921-03	Remote Control Assy.	X	X				
7009-1921-04	Remote Control Assy		X	X	X		
7009-2024-01	Filter Assy, 75 & 8 Micron		X	X	X	X	
7009-2325-01	Trigger Lead, Red, 5ft	X					
7009-2325-02	Trigger Lead, Red, 10ft	X	X	X	X	X	
7009-2334-01	Magnetic Timing Probe, 10ft	X					
7009-2334-02	Magnetic Timing Probe, 5ft	X					
7009-2334-03	Mag Probe, Test Lead Assy		X	X			
7009-2472-01	Assy, Exhaust Analyzer	X					Production Item
7009-2472-02	Assy, Exhaust Analyzer 220V	X					Production Item
7012-0808	Bracket, Mounting	X	X	X	X	X	
7012-1382-01	Bracket, Filter Mounting	X	X	X	X	X	
7012-1484-01	Hanger, Pod	X	X	X	X	X	
7014-1183-01	Cover, O2 Block	X	X	X	X	X	
7015-0059	Tube, Reflector	X	X	X	X		
7019-0085-06	Mat, Rubber	X	X	X	X	X	
7020-2114-02	WA, Cover, Lower, Painted		X	X	X	X	Production Item
7020-2115-02	WA, Cover, Upper, Painted		X	X	X	X	Production Item
7020-2116-01	WA, Cover, Lower, Painted		X				Production Item
7020-2116-02	WA, Cover, Lower, Painted			X	X		Production Item
7020-2117-02	WA, Cover, Upper, Painted		X	X	X		Production Item
7024-0325	Fitting, Port Exhaust	X	X	X	X	X	
7031-0181	Board, Terminal Insulator	X	X	X	X	X	
7049-0004-01	Sensor, Oxygen	X	X	X	X	X	
7049-0126-01	Bench, IR 110V	X	X	X	X	X	
7049-0127-01	Bench, IR 220V	X					
7054-0021-01	Lens Holder	X	X	X	X		
7054-0056	Adapter, Ford Mag Timing Probe, F1	X	X	X			
7054-0057	Adapter, Chry Mag Timing Probe, C1	X	X	X			
7054-0060	Adapter, Ford Mag Timing Probe, F2	X	X	X			
7054-0062	Adapter, Chry Mag Timing Probe, C2	X	X	X			
7054-0103	Remote Case, Lower	X	X	X	X		
7059-0406	Housing	X	X	X	X		
7059-0511-01	Housing, Handle	X	X	X	X		
7076-0690-01	WH, +12VDC ACC Recpt	X	X	X	X		Production Item
7076-0753-03	WH, W84, Emissions Ex Fan		X	X	X	X	Production Item
7076-0882-02	WH, W54, Solenoid		X	X	X	X	Production Item
7076-0887-02	WH, W25, Bench AC		X	X	X	X	Production Item
7076-0943-01	WH, W60, Ign/Pinpts Intrnct		X	X	X	X	Production Item
7076-0944-01	WH, W59, Pri/Coil/Bat Intrnct		X	X	X	X	Production Item
7076-0982-01	WH, POD 2, Amps		X	X	X		Production Item
7076-0983-01	WH, Internal Timing	X					Production Item
7076-0985-01	WH, POD 2, Timing		X	X	X		Production Item
7076-0989-01	WH, W62, Mag Interconnect		X	X	X	X	Production Item
7076-0990-01	WH, W56, Umbilical Internal	X	X	X	X	X	Production Item
7076-0991-01	WH, W63 Interface POD 1		X	X	X		Production Item
7076-1011-01	WH, Internal Power.	X	X	X	X	X	Production Item
7076-1012-01	WH, PC Reset	X	X	X	X	X	Production Item
7076-1013-01	WH, Host Pod	X	X	X	X	X	Production Item
7076-1014-01	WH, IR Interface		X	X	X	X	Production Item
7076-1017-01	WH, W64, O2/LowFlow/Leak		X	X	X	X	Production Item
800-0239-01	Tubing Cut List IR	X	X	X	X	X	Production Item
8200-0223-01	Tubing, Vacuum to P2	X	X	X	X		
8200-0239-01	Tubing Cut List, IR	X	X	X	X	X	
820037	Latch	X	X	X	X	X	
8-280	Slides, Drawer	X	X	X	X	X	

CHAPTER 20 PARTS

PART NUMBER	DESCRIPTION	A	B	NA	PB	SP	COMMENTS
AP-160	PC Bd. HSS Interface	X					
EAA0035C01A	VIP 1 Calib Assy	X					Production Item
EAA0035C02A	VIP 1/2 Calib Assy	X					Production Item
EAA0083C20A	Exhaust Analyzer Assy		X	X	X	X	Production Item
EAA0083C21A	Assy, Exhst Analyzer 220VAC		X				Production Item
EAA0084C01A	POD-1 Assy		X	X	X	X	Production Item
EAA0084C03A	POD-2 Assy, PEP		X	X	X		Production Item
EAA0085C01A	VIP-1 Calib Assy					X	Production Item
EAA0085C02A	VIP-1/2 Calib Assy, Ser B		X				Production Item
EAA0085C03A	VIP-1/2 Calib Assy PEP				X		Production Item
EAA0085C06A	VIP-1/2 Calib Assy National			X			Production Item
EAC0034C00A	Swivel Base (WY-1450A)	X	X	X	X	X	
EAC0037C00A	Swivel Base (Acer 7133S)		X	X	X	X	
EAE0001C01A	PC Bd. 486DX266		X	X	X	X	
EAE0003C00A	Drive, Hard 1.2 Gig		X	X	X	X	
EAE0004C00A	Drive, Hard 631 Meg		X	X	X	X	
EAE0016L10A	Kit, Bezel, Black (EAE0017L00A)		X	X	X	X	
EAE0017L00A	Drive, CD ROM SCSI 12X		X	X	X	X	
EAK0062C00AB	Mounting Kit ((GM-14S)		X	X	X	X	
EAK0067C00AB	Mounting Kit (Acer 7133S)		X	X	X	X	
EAL0123C00A	Label, Keyboard Overlay			X	X		
EAP0008C00A	SIMM, 4M X 9 RAM 30 Pin	X					
EAP0011C00A	PC Bd., Video SVGA, 1Meg	X	X	X	X	X	
EAP0030C00A	PC Bd., I/O Drive Cont.	X	X	X	X	X	
EAP0051C00A	SIMM, 1M X 32 RAM 72 Pin		X	X	X	X	
EAP0056C00A	SIMM, 2M X 32 RAM 72 Pin		X	X	X	X	
EAP0067C00A	CCA, Emissions Controller		X	X	X	X	
EAP0076C00A	CCA, VIP-1 Digital		X	X	X	X	
EAP0078C00A	PC Bd., POD-2 Main, PEP		X	X	X		
EAP0079C00A	PC Bd., POD-2 Input, PEP		X	X	X		
EAP0081C00A	PC Bd., Remote Control		X	X	X		
EAS0025C00A	Brkt, Rear, Computer, Mtg	X	X	X	X	X	
EASB067C01A	Monitor Base		X	X	X		
EASB067C02A	Monitor Bracket		X	X	X		
EASC026C92A	Plate, IR False	X	X	X	X	X	
EASC042C01A	Cable Hook	X	X	X	X	X	
EASC042C02A	Hanger, Boom End	X	X	X	X	X	
EASD043C00A	Mounting Plate (WY-1450A)	X	X	X	X	X	
EAW0034C00A	Cable, 25-Pin Serial	X					
EAW0058C00A	Pinpoint 1 and 2 Leads	X	X	X	X	X	
EAW0060C00A	Adapt-O-Cable			X	X		
EAW0064C00A	WH, IR Pump/Relay		X	X	X	X	Production Item
EAX0014C00A	WH, Internal Timing		X	X	X		Production Item
MT3000A440M	Probe, Low Amps			X	X		

PARTS IN ALPHABETICAL ORDER

DESCRIPTION	PART NUMBER	A	B	NA	PB	SP	COMMENTS
AC Cord 115 Volt (PC)	6001-0197-02	X	X	X	X	X	
AC Cord 115 Volt (Printer/Monitor)	6001-0198-02	X	X	X	X	X	
AC Cord 220 Volt (Printer/Monitor)	6001-0198-01	X	X				
AC Cord, 115VAC (IR Bench)	6001-0204-01	X	X	X	X	X	
AC Cord, 230VAC (IR Bench)	6001-0205-01	X	X				
Adapter	0647-0028	X	X	X	X	X	
Adapter Fitting	0647-0069	X	X	X	X	X	
Adapter, 9-to-25 pin	4162-7067-01	X					
Adapter, Chry Mag Timing Probe, C1	7054-0057	X	X	X			
Adapter, Chry Mag Timing Probe, C2	7054-0062	X	X	X			
Adapter, Chrysler Pri Ign (THX433)	0552-0120-01	X	X	X	X	X	
Adapter, Elbow	0647-0239-01		X	X	X	X	
Adapter, Ford Mag Timing Probe, F1	7054-0056	X	X	X			
Adapter, Ford Mag Timing Probe, F2	7054-0060	X	X	X			
Adapter, Ford TFI Coil (THX386)	0552-0074-01	X	X	X	X	X	
Adapter, GM External Coil (THX376)	0552-0044	X	X	X	X	X	
Adapter, GM Micro Pack (THX388)	0552-0045	X	X	X	X	X	
Adapter, Multipurpose Coil (THX367)	0552-0043	X	X	X	X	X	
Adapter, Pipe to Hose	0647-0073		X	X	X	X	
Adapter, Pipe-Hose, 1/8 NPT	0647-0070		X	X	X	X	
Adapter, Plug Fitting N2HPL	0647-0138	X	X	X	X	X	
Adapter, Sample Probe, Needle	0507-0025-01		X	X	X	X	
Adapter, Universal Integral Coil	6004-0819-01		X	X	X	X	
Adapt-O-Cable	EAW0060C00A			X	X		
Adhesive	0626-0070	X	X	X	X		
Aspirator	7009-0728	X	X	X	X	X	
Assy, Exhaust Analyzer	7009-2472-01	X					Production Item
Assy, Exhaust Analyzer 220V	7009-2472-02	X					Production Item
Assy, Exhst Analyzer 220VAC	EAA0083C21A		X				Production Item
Bag, 3X4 Gas Barrier	0671-0649-01	X	X	X	X	X	
Belt, Drive	0528-1067-01	X					
Bench, IR 110V	7049-0126-01	X	X	X	X	X	
Bench, IR 220V	7049-0127-01	X					
Block, O2 Sensor	7002-0261-01	X	X	X	X	X	
Board, Terminal	7008-0054	X	X	X	X	X	
Board, Terminal Insulator	7031-0181	X	X	X	X	X	
Boom Kit (Complete)	1091-0303-01	X	X	X	X	X	
Bowl Nut	0301-0948-01	X	X	X	X	X	
Bracket, Filter Mounting	7012-1382-01	X	X	X	X	X	
Bracket, Mounting	7012-0808	X	X	X	X	X	
Brkt, Rear, Computer, Mtg	EAS0025C00A	X	X	X	X	X	
Bumper (4)	1489-0007	X	X	X	X	X	
Button Plug, 1 1/8 Dia.	1374-0118-01	X	X			X	
Button Plug, 1 1/4	1374-0102	X	X	X	X	X	
Button Plug, 1 1/2	1374-0101	X	X				
Button Plug, 27/32 Dia.	1374-0119-01	X	X			X	
Button Plug, 5/8	1374-0002	X	X			X	
Cable Clamp	0718-0103	X	X	X	X		
Cable Hanger	2161-0023	X	X	X	X	X	
Cable Hook	EASC042C01A	X	X	X	X	X	
Cable only	6004-0495	X					
Cable, 25-Pin Serial	EAW0034C00A	X					
Cable, SCSI 50 pin	6004-0757-01	X					
Caddy, Disk	0552-0948-01	X					

CHAPTER 20 PARTS

DESCRIPTION	PART NUMBER	A	B	NA	PB	SP	COMMENTS
Caster W/ Brake	3645-0056-02	X	X	X	X	X	
Caster W/O Brake	3645-0056-01	X	X	X	X	X	
Catch	5696-0007	X	X	X	X	X	
Cblasy 220VAC	0662-0230	X	X				
Cblasy, Arbitrator Keyboard	6004-0833-01	X	X	X	X		
Cblasy, High Density Pattern	6004-0764-02		X	X	X	X	
Cblasy, IR Analyzer	6004-0355-02		X	X	X	X	
Cblasy, Modem Interface	6004-0606-01	X	X	X	X	X	
Cblasy, Pattern Pickup	6004-0612-01	X	X	X	X	X	
Cblasy, POD, Umbilical	6004-0768-01	X	X	X	X	X	
Cblasy, Printer	6004-0707-01	X	X	X	X	X	
Cblasy, Remote Control	6004-0517	X	X	X	X		
Cblasy, Remote Control Int.	6004-0516-02	X	X	X	X		
Cblasy, Timing Light	6004-0758-01	X					
Cblasy, Timing Light	6004-0758-02		X	X	X		
Cblasy, W43, CD ROM Data	6004-0796-01	X	X	X	X	X	
Cblasy, W44, Pod 1-2	6004-0811-01	X	X	X	X	X	
Cblasy, W58, Ana/Dig	6004-0776-01	X	X	X	X	X	
CCA, Emissions Controller	EAP0067C00A		X	X	X	X	
CCA, PC Interface	7001-2303-04		X	X	X	X	
CCA, VIP-1 Digital	EAP0076C00A		X	X	X	X	
Channel	0720-0002	X	X	X	X	X	
Circuit Breaker, 1/2 Amp	1922-0112-02	X	X	X	X	X	
Clip, Hanger	0562-0022-01	X	X	X	X	X	
Clip, Hanger Vinyl Coated	0562-0023-02		X	X	X	X	
Clip, Modified	0672-0031-01		X	X	X	X	
Close Nipple, 1/8", 1 1/2" Long	0647-0192-01	X	X	X	X	X	
Computer Back Panel Screened	2500E0711	X	X	X	X	X	
Conductive Sticker	0682-1049-01	X	X	X	X	X	
Connector, 8 pin	4162-0833	X					
Cover, O2 Block	7014-1183-01	X	X	X	X	X	
Current Pickup & Lead Assy	6005-0171-03		X	X	X		
Diode Assy	7009-1486-03		X	X	X	X	
Disk, MS-DOS 5.0	0552-0082-01	X					
Disk, MS-DOS 6.22	0552-0104-01	X	X	X	X	X	
Distributorless Ignition Pickup, 10ft.	6004-0544-02	X	X	X	X	X	
Distributorless Ignition Pickup, 5ft.	6004-0544-01	X					
Distributorless Ignition Y Adapter	6004-0775-02		X	X	X		
Drawer Assy – IR Screened	2500E2300		X	X	X	X	
Drawer Assy, Computer	2500E2150	X	X	X	X	X	Production Item
Drawer Assy, Keyboard	2500E2100	X	X	X	X	X	Production Item
Drawer Assy, Printer	2500E2200	X	X	X	X	X	
Drawer, Storage	2500E2400	X	X	X	X	X	Production Item
Drive, 3-1/2 Floppy	0552-0095-01	X	X	X	X	X	
Drive, CD ROM SCSI 12X	EAE0017L00A		X	X	X	X	
Drive, CD-ROM 4X	0552-0946-07	X	X	X	X		
Drive, CD-ROM 4X (w/Caddy)	0552-0946-06	X					
Drive, Hard 1 Gig	0552-0124-01		X	X	X	X	
Drive, Hard 1.2 Gig	EAE0003C00A		X	X	X	X	
Drive, Hard 127Meg	0552-0096-01	X					
Drive, Hard 214Meg	0552-0099-01	X					
Drive, Hard 261Meg	0552-0100-01	X					
Drive, Hard 341Meg	0552-0101-01	X					
Drive, Hard 428Meg	0552-0108-01	X	X	X	X	X	
Drive, Hard 540 Meg	0552-0109-01	X	X	X	X	X	
Drive, Hard 631 Meg	EAE0004C00A		X	X	X	X	
Drive, Hard 720 Meg	0552-0110-01	X	X	X	X	X	
Elbow, 45° Adapter 159F-6-4	0647-0137	X	X	X	X	X	

DESCRIPTION	PART NUMBER	A	B	NA	PB	SP	COMMENTS
Elbow, Fitting	0647-0044		X	X	X	X	
Exhaust Analyzer Assy	EAA0083C20A		X	X	X	X	
Exhaust Probe	7009-1869-01		X	X	X	X	
Exhaust Probe Cap	0787-0035		X	X	X	X	
Fan, 115V Axial	0587-0504	X	X	X	X	X	
Fan, 220V Axial	0587-0507-01	X					
Fastener (4)	5696-0008	X	X	X	X	X	
Filter Assy, 75 & 8 Micron	7009-2024-01		X	X	X	X	
Filter Assy, 75 Micron	0301-0136-01	X	X	X	X	X	
Filter Assy, 8 Micron	0301-0135-01	X	X	X	X	X	
Filter Bowl	0301-0947-01	X	X	X	X	X	
Filter Element, 75 Micron	0301-0944-01	X	X	X	X	X	
Filter Element, 8 Micron	0301-0945-01	X	X	X	X	X	
Filter Housing	0301-0942-01	X	X	X	X	X	
Filter, Air	0301-0126	X	X	X	X	X	
Fitting	0647-0083		X	X	X	X	
Fitting, Port Exhaust	7024-0325	X	X	X	X	X	
Flash Tube	1677-0011	X					
Flash Tube	3905	X	X	X	X		
Front Cross Member	2500E00811	X	X	X	X	X	
Fuse Holder	1417-0025	X	X	X	X		
Fuse, 1 amp slo-blo	0739-0040	X	X	X	X		
Fuse, 2 Amp	0739-0106-09	X	X	X	X		
Grommet	0501-0003		X	X	X		
Handle (2) Kit	1095-0302-01	X	X	X	X	X	
Handle, Pod	0813-0061-01	X	X	X	X	X	
Hanger, Boom End	EASC042C02A	X	X	X	X	X	
Hanger, Pod	7012-1484-01	X	X	X	X	X	
Hose, Exhaust Probe	3988-0255-01		X	X	X	X	
Hose, Poly, ¼ ID	0669-0220		X	X	X	X	
Housing	7059-0406	X	X	X	X		
Housing, Fan Filter	7004-0354	X	X	X	X	X	
Housing, Handle	7059-0511-01	X	X	X	X		
IC, Personality Digital PCB	0773-2071-02	X					
IC, Personality Digital PCB	0773-2071-04				X		EAP0076C00A
IC, Personality Digital PCB	0773-2071-05			X			7001-2305-01
IC, Personality Digital PCB	0773-2071-07				X		7001-2305-01
IC, Personality Digital PCB	0773-2071-08			X			EAP0076C00A
IC, Personality Digital PCB	0773-2071-09		X			X	EAP0076C00A
IC, Personality Digital PCB	0773-2071-14		X				7001-2305-01
IC, Personality, Gas Bench	0773-2069-02	X					
IC, Personality, Gas Bench	0773-2069-05			X			
IC, Personality, Gas Bench	0773-2069-07				X		
IC, Personality, Gas Bench	0773-2069-08		X				
IC, PROM, Programmed	0773-0581-09	X	X			X	
IC, PROM, Programmed	0773-0581-11			X	X		
Insert, Keypad	0552-0090-01		X				
Insert, Keypad	0552-0090-02			X	X		
Insulation Piercing Test Clip	0672-0035-01	X	X	X	X	X	
Isuzu/Spect/Civic/Integra Ign Adapter	1747-0105			X	X		
Jumper Wire	6002-0349		X	X	X		
Keyboard	0552-3005-01	X					
Keyboard Partition	2500E2106	X	X	X	X	X	Production Item
Keyboard Skin	0552-0105-01	X					
Keyboard, 101 Keys, Black	0552-0117-01		X	X	X	X	
Keypad, Remote (blue)	0552-0031	X					
Keypad, Remote (yellow)	0552-0086-01		X	X	X		
Kit, Bezel, Black (EAE0017L00A)	EAE0016L10A		X	X	X	X	

CHAPTER 20 PARTS

DESCRIPTION	PART NUMBER	A	B	NA	PB	SP	COMMENTS
Knob Assembly	7009-1063	X	X	X	X		
Knob, Cap	0758-0195-01	X	X	X	X	X	
Knob, Vacuum	0758-0206-01	X	X	X	X	X	
Label, "SUN Printer"	0682-1091-01	X					
Label, Caution UL/CSA	0682-1001-01	X	X	X	X	X	
Label, Caution, Warning	0682-1000-01	X	X	X	X	X	
Label, Correlation	4600-0183	X	X	X	X	X	
Label, Fan Caution	0682-0294	X	X	X	X	X	
Label, Filter Maintenance	0682-0807-01	X	X	X	X	X	
Label, Keyboard	0682-1109-01	X	X			X	
Label, Keyboard Overlay	EAL0123C00A			X	X		
Label, Power	0682-1114-01	X	X	X	X	X	
Label, Power Warning	0682-1089-01	X	X	X	X	X	
Latch	820037	X	X	X	X	X	
Lead Assy, 15" Jumper, Red	0002-0133-15		X	X	X		
Lead Assy, Primary	6002-0355			X	X		
Lens Holder	7054-0021-01	X	X	X	X		
Lens, Timing Light	0391-0007	X	X	X	X		
Mag Probe, Test Lead Assy	7009-2334-03		X	X			
Magnet, Flex Adhesive Backed	0865-0112	X	X	X	X		
Magnetic Timing Probe, 10ft	7009-2334-01	X					
Magnetic Timing Probe, 5ft	7009-2334-02	X					
Mat, Rubber	7019-0085-06	X	X	X	X	X	
Microsoft® Windows 3.11	0552-0125-01	X	X	X	X	X	
Monitor Base	EASB067C01A		X	X	X		
Monitor Bracket	EASB067C02A		X	X	X		
Monitor, 14 WY-1450A	0859-0467-02	X					
Monitor, 14" 7133S (Acer)	0859-0471-01		X	X	X	X	
Monitor, 14" WY-670	0859-0465-01	X					
Monitor, GM-14S	0859-0470-01		X	X	X	X	
Mount, Cable ABM2S-A-D	5878-0902	X	X	X	X	X	
Mount, Rubber w/8-32 insert	0561-0144-01		X	X	X	X	
Mounting Kit ((GM-14S)	EAK0062C00AB		X	X	X	X	
Mounting Kit (Acer 7133S)	EAK0067C00AB		X	X	X	X	
Mounting Plate (WY-1450A)	EASD043C00A	X	X	X	X	X	
Mouse Pad	0552-0103-01	X	X	X	X	X	
Mouse, 3 Button, Black	0552-0116-01		X	X	X	X	
Mouse, Honeywell	0552-0089-01	X					
Nipple	0201		X	X	X		
Nipple	2209	X	X	X	X	X	
Nozzle	0564-0002		X	X	X		
O Ring	0301-0943-01	X	X	X	X	X	
Overlay	4055-0187	X	X	X	X		
Pattern Pick-up, Chrome	1747-0101	X	X	X	X	X	
Pattern Pick-up, GM HEI	1747-0102	X	X	X	X	X	
Pattern Pickup, Toyota ASM	1747-0103			X	X		
PC Bd Assy, Remote	7001-0546	X					
PC Bd. 486DX266	EAE0001C01A		X	X	X	X	
PC Bd. HSS Interface	AP-160	X					
PC Bd., 486SX25	7001-2312-02	X					
PC Bd., Arbitrator	7001-2021-04	X	X	X	X		
PC Bd., CD-ROM SCSI	0552-0947-01	X					
PC Bd., CD-ROM SCSI	0552-0947-02		X	X	X	X	
PC Bd., Data Acquisition	7001-2212-01	X					
PC Bd., Emissions Controller	7001-2280-01	X					
PC Bd., Emissions Controller	7001-2304-01	X					
PC Bd., I/O Drive Cont.	EAP0030C00A	X	X	X	X	X	
PC Bd., IO	7001-2311-01	X					

DESCRIPTION	PART NUMBER	A	B	NA	PB	SP	COMMENTS
PC Bd., Modem, 14.4 Baud	7001-2316-01	X	X	X	X		
PC Bd., PC Interface	7001-2303-03	X					
PC Bd., Pod 1 Analog	7001-2239-01	X	X	X	X	X	
PC Bd., Pod 1 Digital	7001-2238-01	X					
PC Bd., Pod 1 Input	7001-2214-01	X	X	X	X	X	
PC Bd., Pod 2 Input	7001-2237-01	X					
PC Bd., Pod 2 Main	7001-2236-01	X					
PC Bd., POD-2 Input, PEP	EAP0079C00A		X	X	X		
PC Bd., POD-2 Main, PEP	EAP0078C00A		X	X	X		
PC Bd., Power Distribution	7001-2300-01	X	X	X	X	X	
PC Bd., Remote Control	EAP0081C00A		X	X	X		
PC Bd., STL Interface	7001-2301-01	X	X	X	X	X	
PC Bd., Timing Light	7001-1231-01		X	X			
PC Bd., Timing Light	7001-2044-01	X					
PC Bd., Timing Light	7001-2313-01	X	X	X	X		
PC Bd., TMS	7001-2203-01	X					
PC Bd., Video SVGA, 1Meg	EAP0011C00A	X	X	X	X	X	
PC Bd., Video, VGA	7001-2302-01	X					
Pinpoint 1 and 2 Leads	EAW0058C00A	X	X	X	X	X	
Plate, Connector	7003-0707-02	X	X	X	X	X	
Plate, Connector	7003-0709-02	X	X	X	X		
Plate, Hanger	7003-0708-02	X	X	X	X	X	
Plate, IR False	EASC026C92A	X	X	X	X	X	Production Item
Plate, Lock	2500E2160	X	X	X	X	X	Production Item
Plate, Rear	7003-0710-02	X	X	X			Production Item
POD-1 Assy	EAA0084C01A		X	X	X	X	Production Item
POD-2 Assy, PEP	EAA0084C03A		X	X	X		Production Item
Pot, Advance Trim	0685-0360	X	X	X	X		
Power Strip W/AC Cord	6001-0203-01	X	X	X	X	X	
Power Supply 115V 200W	0532-0029-01	X	X	X	X	X	
Printer Paper	0528-0994	X	X	X	X	X	
Printer Ribbon	0528-1065-01	X	X	X	X	X	
Printer Support Assy	2500E2210	X	X	X	X	X	
Printer, 24 pin 110V, AMT242	0528-0029-01	X	X	X	X	X	
Printer, 24 Pin 220VAC	0528-0029-02	X	X				
Probe Assy, Oil Temperature 10ft	6004-0407	X	X	X	X		
Probe Assy, Oil Temperature 5ft	6004-0407-02	X					
Probe Jumper Lead Assy	6002-0346		X	X	X		
Probe, Low Amps	MT3000A440M			X	X		
Pump Assy, Vacuum 110V	0303-0104-01	X	X	X	X	X	
Pump Assy, Vacuum 220V	0303-0107-01	X	X	X	X	X	
Remote Case, Lower	7054-0103	X	X	X	X		
Remote Control Assy	7009-1921-04		X	X	X		
Remote Control Assy.	7009-1921-03	X	X				
Restrictor	3841-0101-05	X	X	X	X	X	
Restrictor, Flow	3841-0101	X	X	X	X	X	
Restrictor, Flow	3841-0111-01	X	X	X	X	X	
Retainer Nut	0301-0946-01	X	X	X	X	X	
Roller, Boom Cable	7002-0267-01	X					
Seal, Size 11	4162-0937	X	X	X	X	X	
Seal, Size 17	4162-0938	X	X	X	X	X	
Seal, Size 23	4162-0947	X	X	X	X	X	
Secondary Lead, Blue, 10ft.	6004-0763-02	X	X	X	X	X	
Secondary Lead, Blue, 5ft.	6004-0763-01	X					
Sensor, Oxygen	7049-0004-01	X	X	X	X	X	
Shell, Size 11	2-13148	X	X	X	X	X	
Shell, Size 17	2-13348	X	X	X	X	X	
Shell, Size 23	2-13448	X	X	X	X	X	

CHAPTER 20 PARTS

DESCRIPTION	PART NUMBER	A	B	NA	PB	SP	COMMENTS
Shock mount, Rubber, Blue	0561-0147-01		X	X	X	X	
SIMM, 1M X 32 RAM 72 Pin	EAP0051C00A		X	X	X	X	
SIMM, 1M X 9 RAM, 30 Pin	7001-2243-01	X					
SIMM, 2M X 32 RAM 72 Pin	EAP0056C00A		X	X	X	X	
SIMM, 4M X 9 RAM 30 Pin	EAP0008C00A	X					
Slides, Drawer	8-280	X	X	X	X	X	
STL, 90 & Up Mazda, Escort GT MPV	6004-0720-01	X	X	X	X	X	Mazda 323, Miata,
STL, Adapter New Style	6004-0716-01	X	X	X	X	X	Chrysler Cable
STL, Adapter New Style	6004-0832-01	X	X	X	X	X	Chrysler 12 Pin
STL, Chrysler Fast Stream	6004-0525	X	X	X	X	X	
STL, Chrysler Non L/H Models	6004-0442	X	X	X	X	X	
STL, Chrysler Non L/H Models	6004-0698-01	X	X	X	X	X	
STL, Ford Cable Adapter	6004-0718-01	X	X	X	X	X	
STL, Ford EEC-IV/MCU	6004-0443	X	X	X	X	X	
STL, Ford Probe, ABS	6004-0721-01	X	X	X	X	X	
STL, GEO Metro	6004-0722-01	X	X	X	X	X	
STL, GM 12 Pin	6004-0731-01	X	X	X	X	X	
STL, GM 12 Pin Cable Adapter	6004-0717-01	X	X	X	X	X	
STL, GM 12Pin	6004-0522	X	X	X	X	X	
STL, GM 5 Pin Cable Adapter	6004-0719-01	X	X	X	X	X	
STL, GM 5Pin	6004-0417	X	X	X	X	X	
STL, GM ABS 12 Pin-12 Pin H	6004-0783-01	X	X	X	X	X	
STL, GM Fast Stream	6004-0524	X	X	X	X	X	
STL, GM VIN 8 Adapter	6004-0782-01	X	X	X	X	X	
STL, Universal	6004-0795-01	X	X	X	X	X	
STL, Universal Extension	6004-0723-01	X	X	X	X	X	
Storage Shelf Assy	2500E0850	X	X				
Strap	5878-0011	X	X	X	X	X	
Strap, Velcro, Tank W/Ring	0424-0805-02	X	X	X	X	X	
Strap, Velcro, Tank, Hook, Loop	0424-0806-02	X	X	X	X	X	
Strip, IEC Power 220VAC	4162-8067	X	X				
Switch, Leak Check	0549-0017	X	X	X	X	X	
Switch, Low Flow	0549-0019-02	X	X	X	X	X	
Switch, Timing Light	0764-0207	X	X	X	X		
Swivel Base (Acer 7133S)	EAC0037C00A		X	X	X	X	
Swivel Base (WY-1450A)	EAC0034C00A	X	X	X	X	X	
Swivel, Pod Handle	0813-0903-01	X	X	X	X	X	
Tee, Fitting N4TUB-4	0647-0186		X	X	X	X	
Tee, Gas Drawer	0647-0102	X	X	X	X	X	
Tee, Vacuum	0647-0170	X	X	X	X	X	
Test Lead, Amps 10ft	6005-0171	X					
Test Lead, Amps 5ft	6005-0171-01	X					
Test Lead, Universal 10ft	6005-0182-02	X	X	X	X	X	
Test Lead, Universal 5ft	6005-0182-01	X					
Test Lead, Volt/Ohm 10ft	6004-0462	X	X	X	X	X	
Test Lead, Volt/Ohm 5ft	6004-0462-01	X					
Thermistor	0749-0031		X	X	X		
Tie, Cable	5878-0015	X	X	X	X	X	
Timing Light Assembly 10ft	7009-1374-06	X	X	X			
Timing Light Assembly 5ft	7009-1374-07	X					
Timing Light Assy	7009-1374-08		X	X	X		
Transformer, Trigger	0007-8001	X	X	X	X		
Trigger Lead, Red, 10ft	7009-2325-02	X	X	X	X	X	
Trigger Lead, Red, 5ft	7009-2325-01	X					
Tube, Reflector	7015-0059	X	X	X	X		
Tubing Cut List IR	800-0239-01	X	X	X	X	X	Production Item
Tubing, Vacuum to P2	8200-0223-01	X	X	X	X		
Vacuum Hose	6006-0003-02		X	X	X	X	

DESCRIPTION	PART NUMBER	A	B	NA	PB	SP	COMMENTS
Vacuum Hose, 10ft.	6006-0003	X	X	X	X		
Vacuum Hose, 3/16 x 5/16 x 6	0669-0733	X	X	X	X	X	
Vacuum Hose, 5ft.	6006-0003-01	X					
Vacuum Hose, 1/4 x 7/16 x 6	0669-0734	X	X	X	X	X	
Vacuum Hose, 1/8 x 5/16 x 6	0669-0623	X	X	X	X	X	
Valve Assembly	7009-1430	X	X	X	X	X	
Valve, Solenoid	0304-0035	X	X	X	X	X	
Valve, Solenoid 3-way	0304-0044-01	X	X	X	X	X	
Velcro, Hook, 5/8 Wide	0424-0804-02		X	X	X	X	
Velcro, Loop, 5/8 Wide	0424-0804-01		X	X	X	X	
VIP 1 Calib Assy	EAA0035C01A	X					Production Item
VIP 1/2 Calib Assy	EAA0035C02A	X					Production Item
VIP-1 Calib Assy	EAA0085C01A					X	Production Item
VIP-1/2 Calib Assy National	EAA0085C06A			X			Production Item
VIP-1/2 Calib Assy PEP	EAA0085C03A				X		Production Item
VIP-1/2 Calib Assy, Ser B	EAA0085C02A		X				Production Item
WA, Computer Door Assy	2500E1100A	X	X	X	X	X	Production Item
WA, Cover, Lower, Painted	7020-2114-02		X	X	X	X	Production Item
WA, Cover, Lower, Painted	7020-2116-01		X				Production Item
WA, Cover, Lower, Painted	7020-2116-02			X	X		Production Item
WA, Cover, Upper, Painted	7020-2115-02		X	X	X	X	Production Item
WA, Cover, Upper, Painted	7020-2117-02		X	X	X		Production Item
WA, Front Panel Assy, Screened	2500E0800A	X	X	X	X	X	Production Item
WH, +12VDC ACC Recpt	7076-0690-01	X	X	X	X		
WH, Host Pod	7076-1013-01	X	X	X	X	X	
WH, Internal Power.	7076-1011-01	X	X	X	X	X	
WH, Internal Timing	7076-0983-01	X					
WH, Internal Timing	EAX0014C00A		X	X	X		
WH, IR Interface	7076-1014-01		X	X	X	X	
WH, IR Pump/Relay	EAW0064C00A		X	X	X	X	
WH, PC Reset	7076-1012-01	X	X	X	X	X	
WH, POD 2, Amps	7076-0982-01		X	X	X		
WH, POD 2, Timing	7076-0985-01		X	X	X		
WH, W25, Bench AC	7076-0887-02		X	X	X	X	
WH, W45, VIP2, Interconnect	6004-0813-01	X	X	X	X		
WH, W54, Solenoid	7076-0882-02		X	X	X	X	
WH, W56, Umbilical Internal	7076-0990-01	X	X	X	X	X	
WH, W59, Pri/Coil/Bat Intrnct	7076-0944-01		X	X	X	X	
WH, W60, Ign/Pinpts Intrnct	7076-0943-01		X	X	X	X	
WH, W62, Mag Interconnect	7076-0989-01		X	X	X	X	
WH, W63 Interface POD 1	7076-0991-01		X	X	X		
WH, W64, O2/LowFlow/Leak	7076-1017-01		X	X	X	X	
WH, W84, Emissions Ex Fan	7076-0753-03		X	X	X	X	

