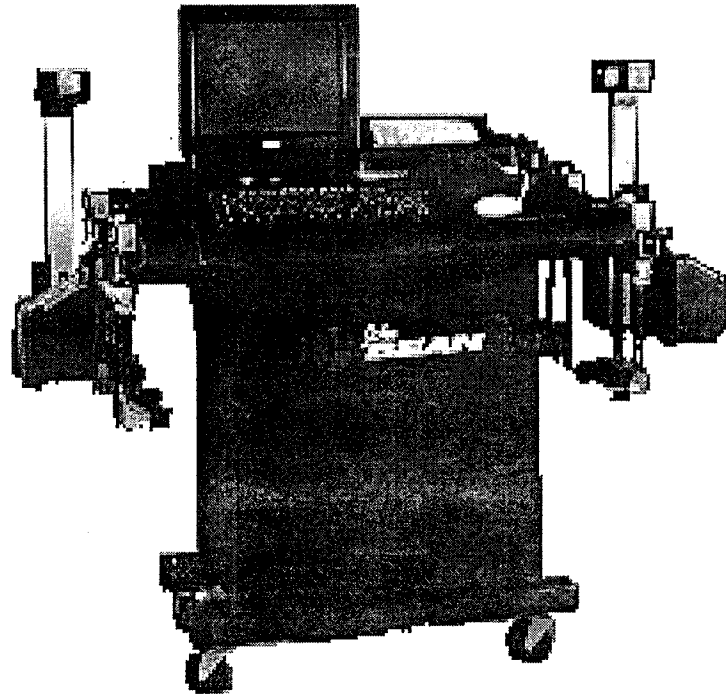


Visualiner 9 Series

Parts Reference



*The Leader in
Alignment Technology
Since 1925*



Table of Contents

Group	Page Number
Lower Cabinet Assembly	4,5
Upper Cabinet and Shelf	6,7
Interconnect Box Assembly	8, 9
Computer Assembly	10, 11
Keyboard, Printer	12
Remote Display	13
Optical Heads	14, 15
Optic Modules & Cable Assembly	16, 17
Wheel Clamps	18, 19
Calibration Kit	20, 21

An () indicates a part not illustrated.*

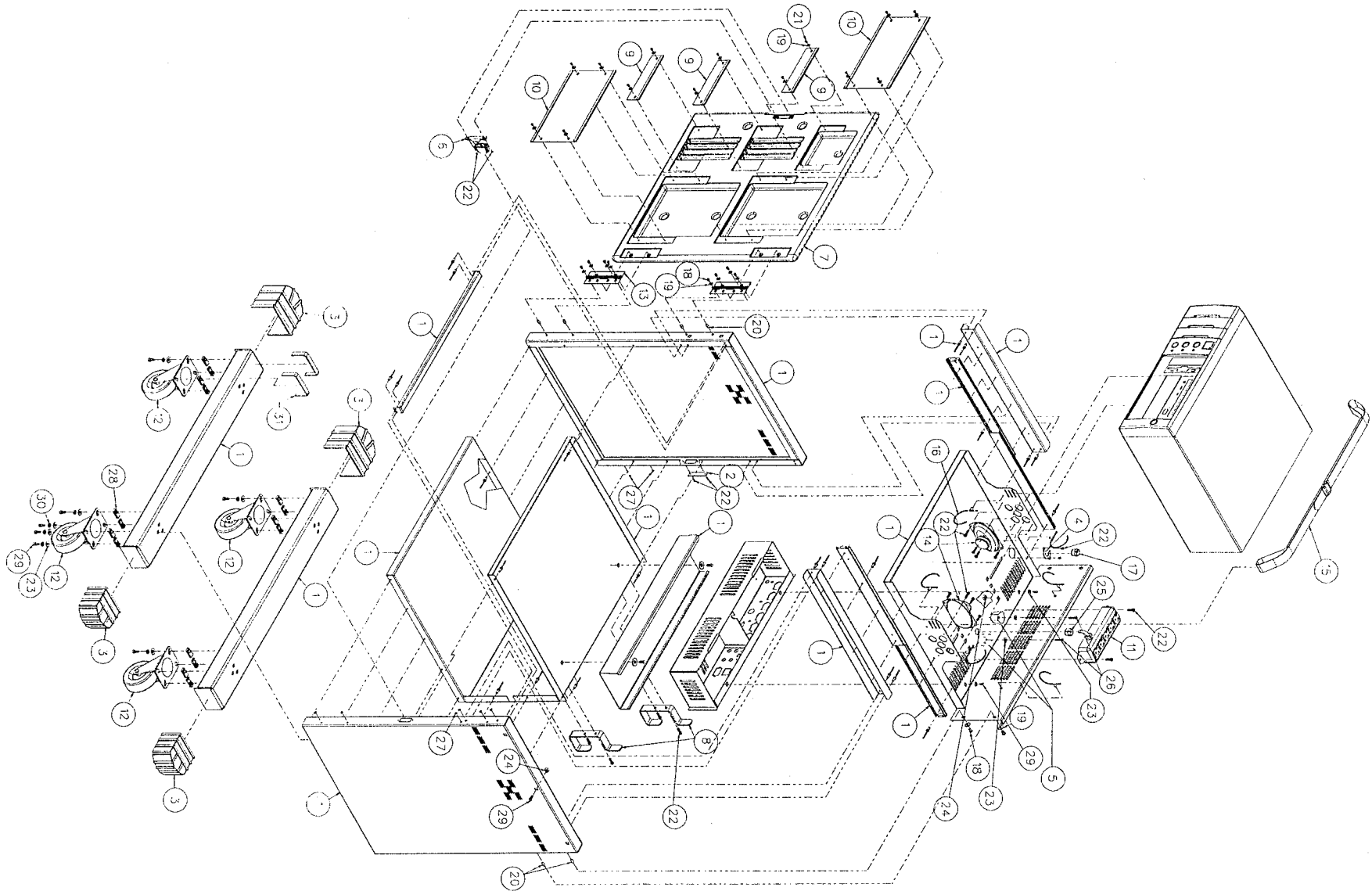
*John Bean Company reserves the right to
make changes in the product without notice.*

Lower Cabinet

Ref No.	Part No.	Qty Used	Description
1	00088194000	1	Assembly - Lower Cabinet
2	00088176000	1	Plate - Plastic Cover
4	00088172000	1	Plate - Cover, Power Cord
5	00088173000	1	Cam Lock - PC
6	00088161000	1	Catch - Door, V9
7	00088345000	1	Door - V9
*	00088167000	1	John Bean 3D Decal - for V9 Door
8	00084269000	2	Bracket Hook
9	00088164000	3	Panel - Door Small
10	00088163000	2	Panel - Door Large
11	00088246000	1	Power Strip
13	00063740000	2	Hinge - Continuous, Cut 5"
14	00085638000	1	Speaker Assembly, Phono Cable
15	01122285000	1	Strap, Cinch, 48" LG
16	01122314000	6	Tie Wrap - Push Button
17	00111193000	1	Clamp - Strain Relief
18	01101726000	8	Screw - BHCS, #10 - 24 X 1/2 HS
19	00061746000	22	Washer - Tray weight
20	00060385000	8	Nutsert - #10 - 24
21	01122289000	14	Screw, 8 - 18 X 1/2 Self Tap PNHD
22	01101883000	16	Screw - Self Tap, #8 - 32 X 3/8 HW
23	01101930000	3	Washer Flat, 1/4 BLK Oxide
24	01101802000	7	Nut Tinnerman, 1/4 - 20
25	01122315000	1	Bushing - Open/Closed #2873
26	01101882000	1	Screw - PHMS, 1/4 - 20 X 1 1/2 P
27	01122286000	10	Hole Plug - HEYCO #2603
29	01101988000	8	Screw - Self Tap, 1/4 - 20 X 3/4
32	00085595000	1	Label - Warning/Patent
33	00083186000	1	Label - Caution, Frt Bezel
34	00085691000	1	Label - Elect/Serial
*	00000096000	1	Brake Pedal Depressor
*	00055502000	1	Steering Wheel Holder
*	00085711000	1	Merchandising Kit
*	00081225000	1	Remote Controller
*	01122063000	2	Batteries, 2 required, Size AA for remote
*	NOT SHOWN		

NOTE: Not all reference numbers are used

Lower Cabinet



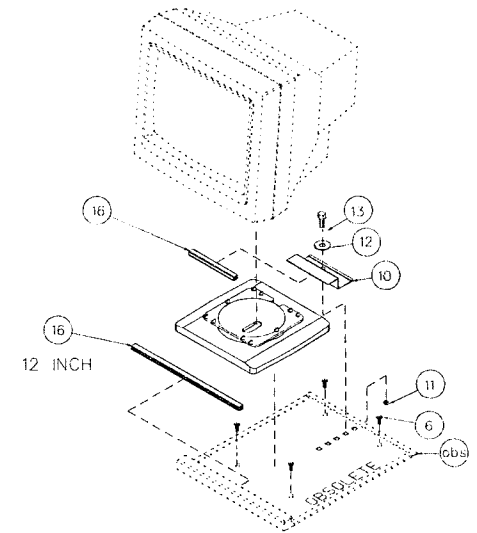
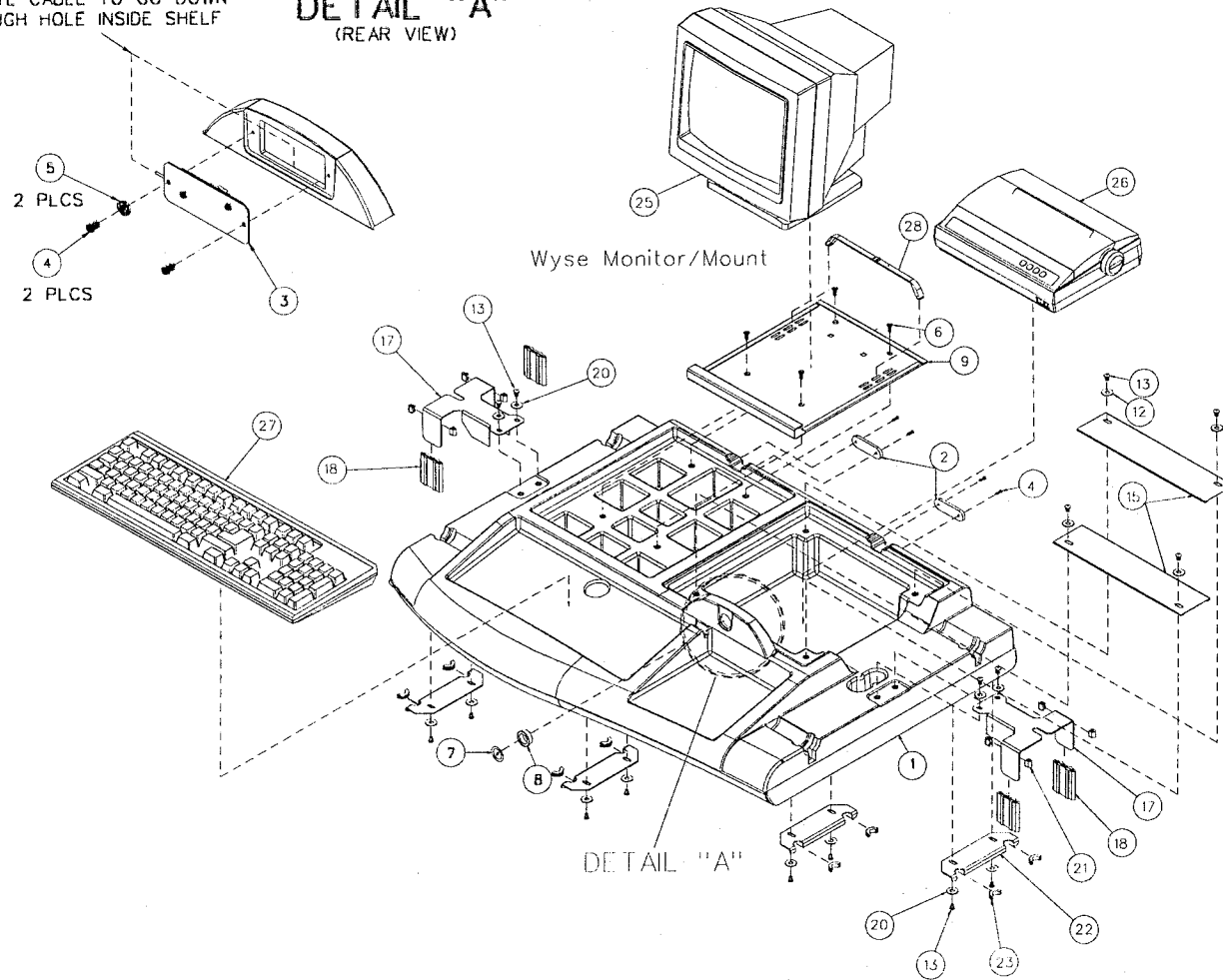
Upper Cabinet and Shelf

<u>Ref No.</u>	<u>Part No.</u>	<u>Qty Used</u>	<u>Description</u>
1	00088344000	1	Shelf Kit - Standard, V9
2	00088152000	2	Restraint - Cables, V9
3	00088197000	1	Receiver Assembly - for V9, See Detail "A" , includes:
*		1	Mounting - Cover Plate 00088155000
*		2	Nylon Spacers 01122293000
*		2	Screw, 8 - 32 X 1/2 01101573000
*		2	Nylon Flat Washer 01122107000
*		2	Flat Washer, #10 black 00061746000
*		2	KEPS Nut, 8 - 32 01181298000
4	01122289000	6	Screw, 8 - 18 X 1/2 Self Tap PNHD
5	00061746000	2	Washer - Tray Weight
6	01101872000	4	Screw - FHCS, 1/4-20 X 3/8 HS
7	00088179000	1	Window - Remote V9
8	01122296000	1	Snap Bushing #2198
9	00088145000	1	Clamp/mounting plate for CRT, V9
10	00088146000	1	Clamp - Adjust, CRT See Detail "B"
11	01101802000	1	Nut - Tinnerman, 1/4 - 20 See Detail "B"
12	01101930000	5	Washer - Flat, 1/4 Black Oxide
13	01177619000	17	Screw - BHCS, 1/4 - 20 X 1/2 HS also 19
14	01122314000	2	Tie Wrap - Push Button
15	00088256000	2	Bracket Support - Printer
16	01122307000	1.4 ft	Trim - Locking, 3/16, See Detail "B"
17	00088157000	2	Bracket - Boom Tube, V9
18	00088156000	4	Pad - Boom Tube
20	01101930000	12	Washer - Flat, 1/4 Black Oxide
21	01122302000	.17 ft	Tape, Foam - Adhesive - 7598A41
22	00088257000	4	Bracket - Support, WC
23	01122074000	4	Grommet - 1.125 OD X .625 ID
24	00005424000	1	Assembly Instructions
*	00088178000	1	Decal - for Front Keyboard Shelf
25	00088276000	1	17" CRT Monitor Assembly with Base
	00088424000		15" CRT Monitor Assembly with Base
	00088423000		14" CRT Monitor Assembly with Base
26			Printer - See Page 15 for Printer Detail
27	00085569000	1	Keyboard
*	00085718000	1	Keyboard with Decals (#3) and Jumper 85594 (see also page 15)
28	01122312000	1	Cinch Strap - 24 inch, used to secure CRT to #9
*	NOT SHOWN		

Upper Cabinet and Shelf

REMOTE CABLE TO GO DOWN THROUGH HOLE INSIDE SHELF

DETAIL "A"
(REAR VIEW)



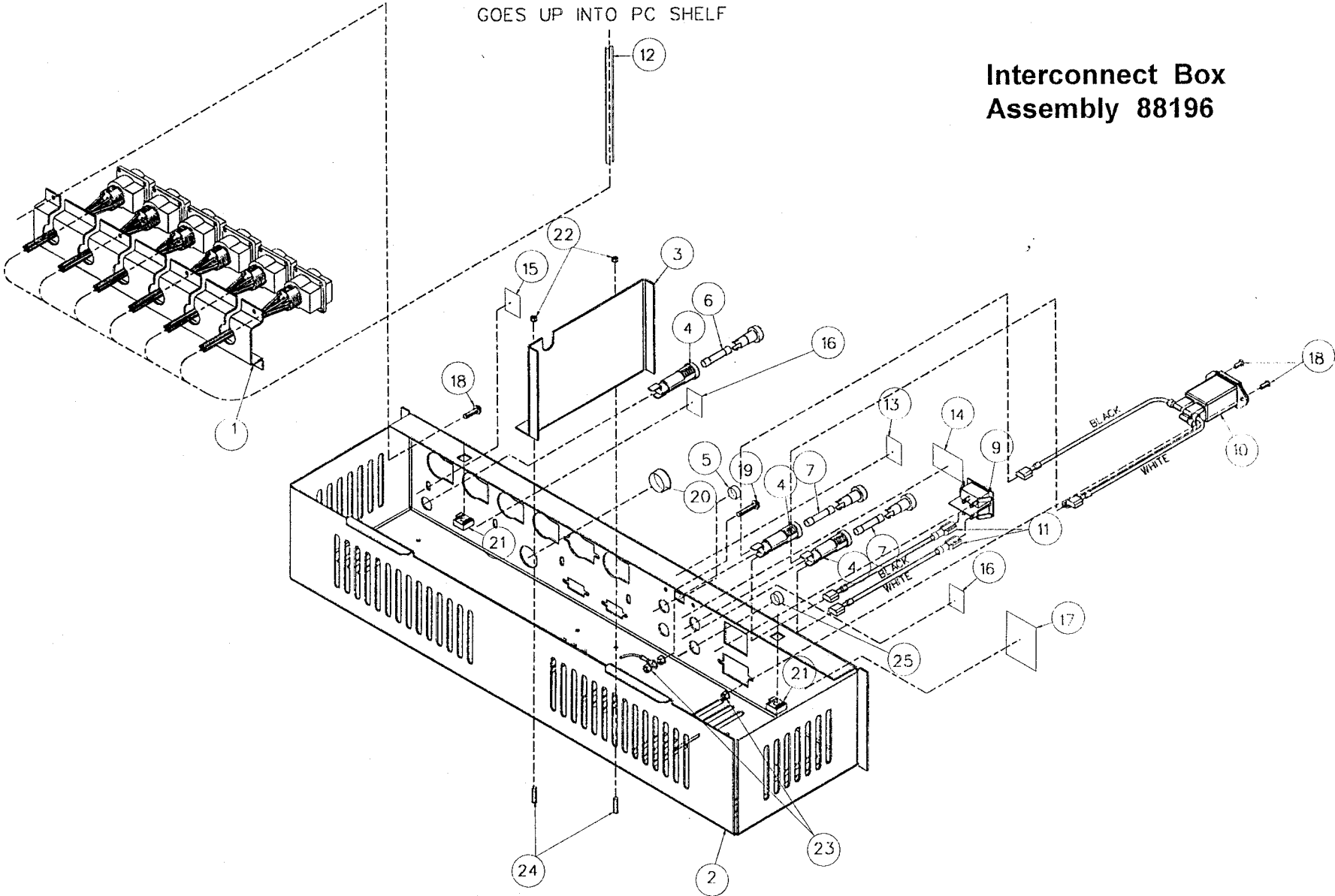
DETAIL "B"
Antec Monitor/Mount

Interconnect Box Assembly 88196

Ref No.	QTY. Req'd	Part No.	Description
1	00085665000	1	Panel for Connectors
2	00088171000	1	Interconnect Box, bare - V9
3	00088182000	1	Panel Divider, V9
4	00085547000	3	Holder - Fuse, Panel Mount VDE
5	01122320000	1	Plug - Hole, Snap-in
6	00074208000	1	Fuse - Fast Blow, 3.00A 250V
7	00074120000	2	Fuse - Slow Blow, 8.00A 250V
9	00083048000	1	Switch - On /Off
10	00085661000	1	Cable Assembly - Power
11	00088279000	1	Cable Assembly - Main Fuses/Switch
12	00085674000	1	Cable Assembly - HIB/Interconnect
13	00111631000	1	Label - Frame or Chasis Terminal
14	00088270000	1	Label - Fuse Holder, 8 Amp
15	00088271000	1	Label - Fuse Holder, 3 Amp
16	00086164000	2	Label - Fuse
17	00086465000	1	Label - Warning Shock
18	01101883000	10	Screw - Self Tap, #8 - 32 X 3/8 HW
19	00083558000	1	Screw, Ground, Special
20	01122319000	1	Plug - Hole, Dome Snap IN411
21	01101802000	2	Nut Tinnerman, 1/4 - 20
22	01101760000	2	Nut - KEPS, #6 - 32 UNC-2B CD/ZN
23	01181298000	5	Nut - KEPS, #8 - 32 UNC-2B CD/ZN
24	01122051000	2	Stud - Press in, #6 - 32 X .50
25	01122318000	2	Plug - Double "D"

* Wiring Harness not shown for pictorial clarity.

Interconnect Box Assembly 88196



Computer Components

<u>Ref</u>	<u>Part No.</u>	<u>Description</u>
1	00088290000	Case Assy. Desktop w/power supply
*	00085529000	Power Supply
2	00088284000	Main CPU Kit Motherboard, ISA VGA, 16meg
	00088283000	Main CPU Kit Motherboard, ISA VGA, 8meg
NOTE: Each Main CPU kit includes a Video card and related IDE interconnect cables.		
3	00086866000	Drive, CD ROM - Kit, drive only is 86865
4	00088252000	Controller Assy. Head Interface (HIB)
5	01101760000	Nut, Keps #6-32
6	00085549000	Bracket, Connector, holds cable 85377 below
7	01101532000	Screw, #6-32x3/8" Pan Head
8	00085377000	Power Supply Cable Assembly - Three wire
9	00085663000	Cable Assy, Audio feed, mother board to HIB
10	00086016000	Drive, Floppy 1.44Meg. 3.5"
*	00085591000	Cover, Floppy slot
*	00085590000	Cover, CD slot
11	00085372000	Hard Disk Drive, IDE
12	00085737000	Power Splitter 3.5" floppy
13	00085334000	8 Meg SIMM Memmory Module - 72 Pin
	00088200000	2 Meg SIMM Memmory Module - 72 Pin
	00085333000	4 Meg SIMM Memmory Module - 72 Pin
14	00085639000	Power Cord (115V)
15	00088277PCI	Video Card - 1 MEG PCI
16	01122049000	Screw, Self Tap #6 - 32 x 3/8"
**	00086696000	Track Pad - only
**	00086797000	Track Ball - only
**	00086798000	Light Pen - only
**	00086799000	Track Pad - only
**	00086693000	Mouse Kit - only

<u>SOFTWARE</u>	
* 00086432000	Floppy (2) - Blank Formatted
* 00086367000	CD ROM Software only (1 CD)
* 00086165000	Compact Disk Caddy

* Indicates software with license

COMPUTER DESKTOP PC ASSEMBLIES

00088275000	Pentium PC Assembly with 16 meg RAM
00088195000	Pentium PC Assembly with 8 meg RAM

NOTE: These PC assemblies have both ISA and PCI slots, built in IDE interface used for all drive support, uses a PCI 1 meg VGA video card, and 72 pin memory expansion slots.

Currently these machines are shipped with 256k cache

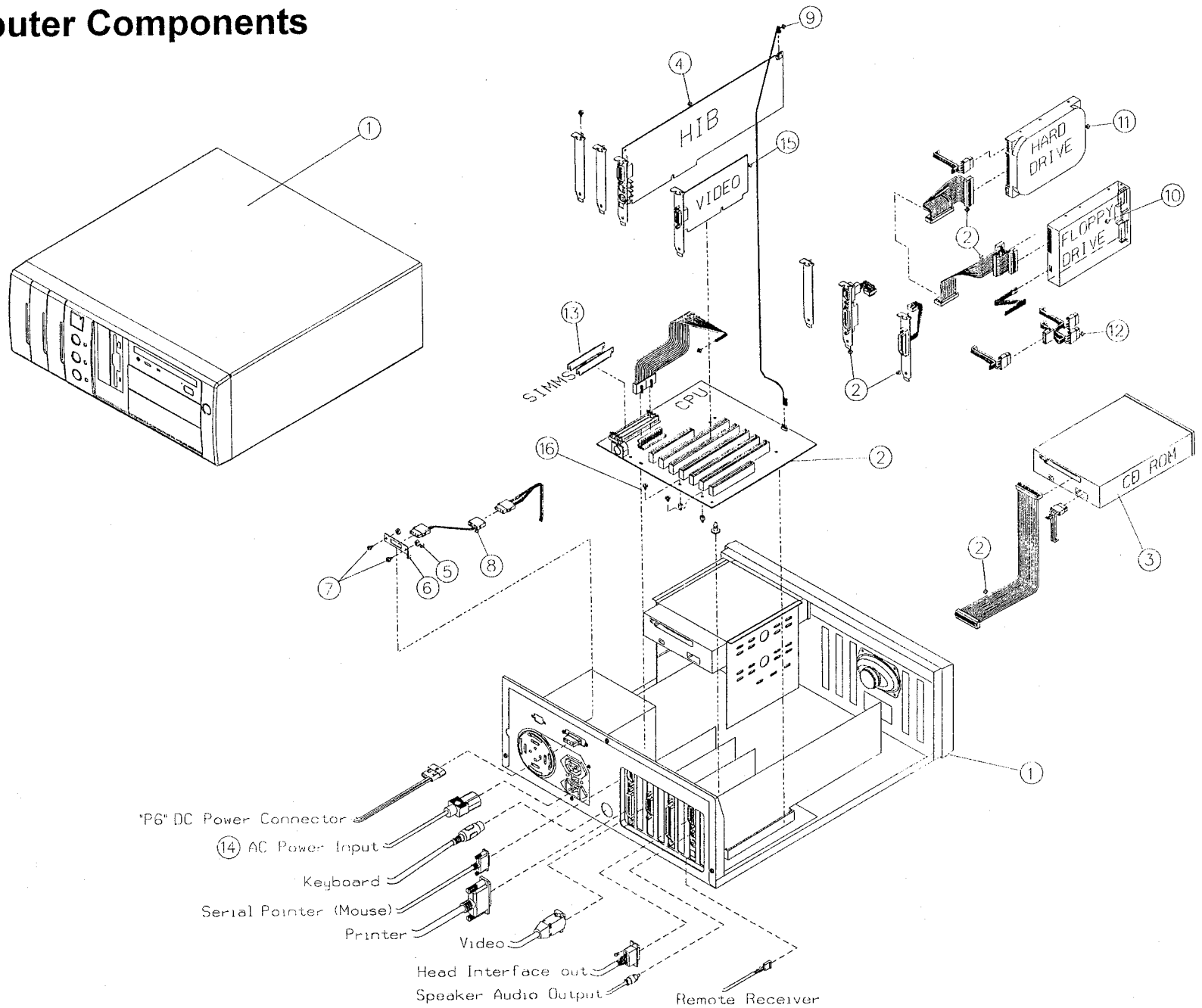
WINDOWS:

86793	Software - Microsoft DOS & Windows
86798	Light Pen Ass'y
86693	Mouse Kit
86694	Track Ball Kit
86696	Track Pad Kit
86803	Shelf - Mouse

* NOT SHOWN

** SEE FACING PAGE FOR KIT NUMBERS

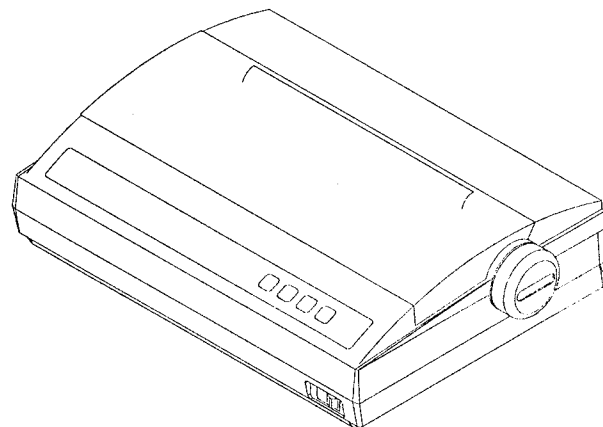
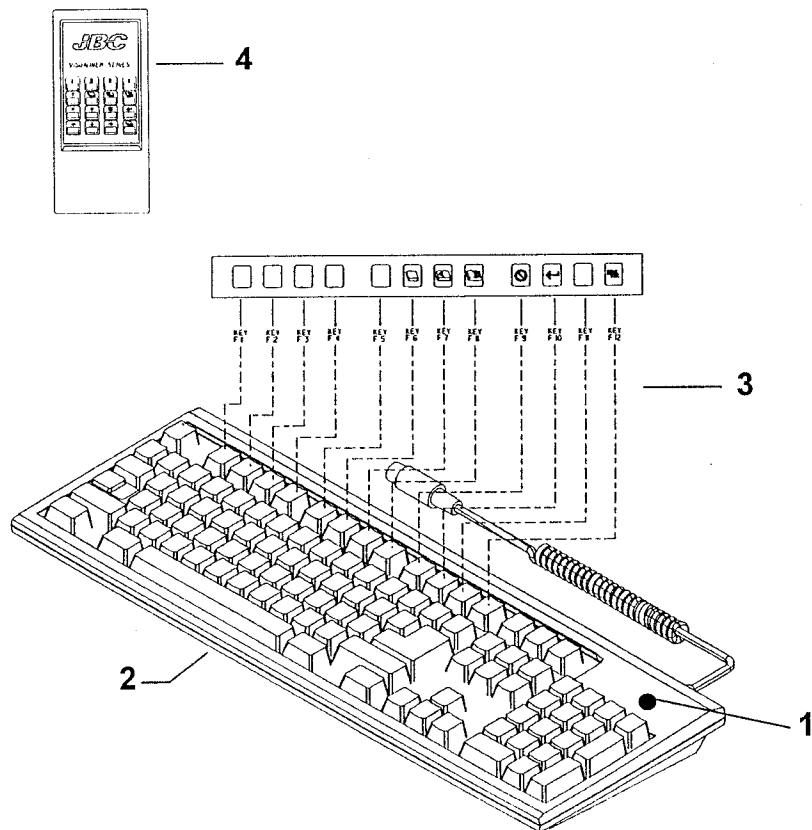
Computer Components



Keyboard, Printer & Remote

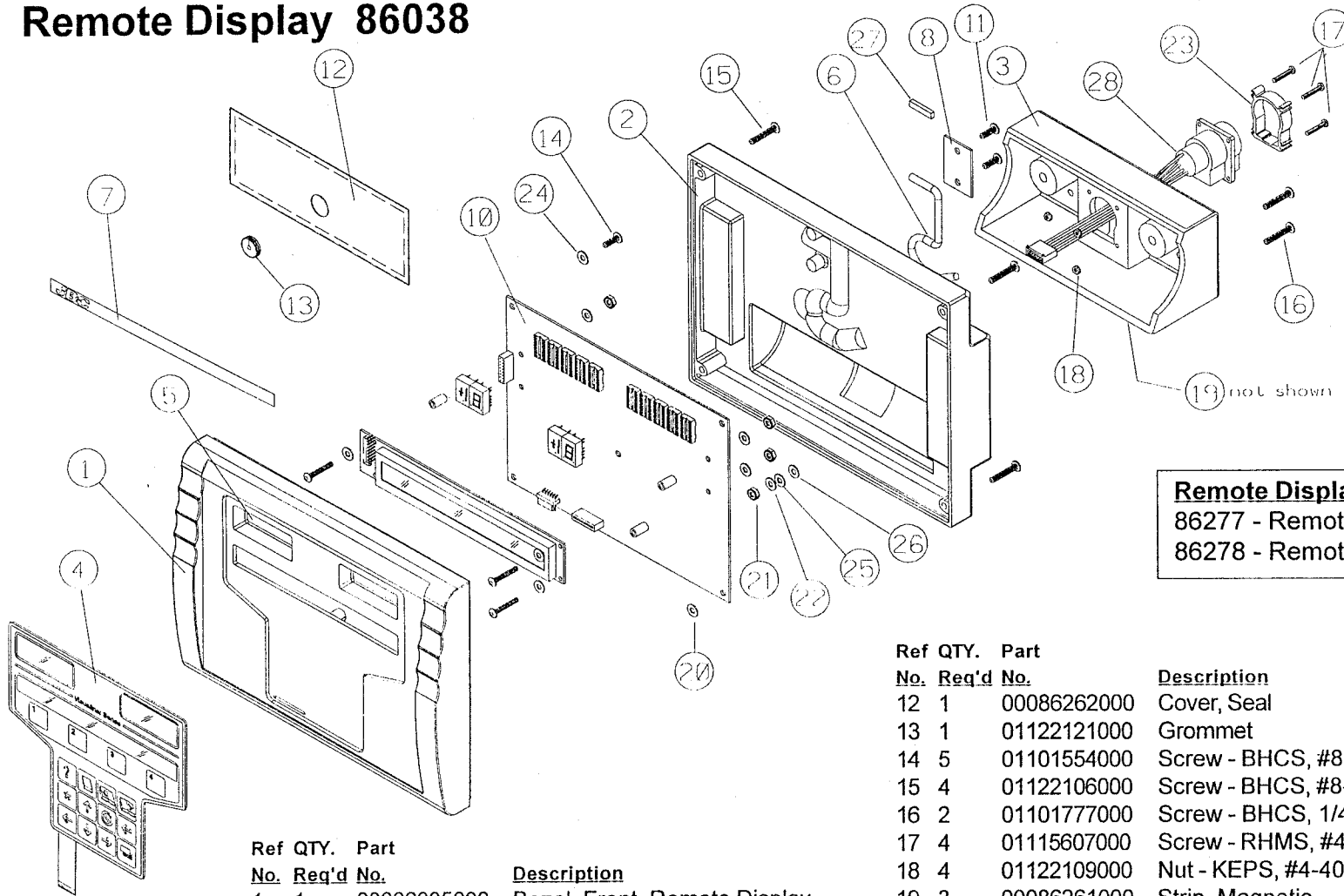
Ref. No.	Part No.	Description
1	00085569000	Keyboard - 104 key
*	00085718000	Keyboard with Decals (#3) and Jumper 85594
*	00085594000	Jumper Cable, (UL&CSA)
2	00085997000	Keyboard Cover - Antec Windows Keyboard
3	00085690000	Keyboard Decal kit
4	00081225000	Remote Control
*	01122063000	Battery, size AA for Remote, 2 required

Ref. No.	Part No.	Description
*	00084336000	Printer only 115V
*	00086023000	Printer only 220V
*	00086420000	24 Pin Printer - Use with Mitchell On-Demand
*	00083055000	Printer Interface Cable
*	00083049000	Printer Paper, One box
*	00085336000	Decal - Paper Loading Instructions
*	00061278000	Cable Tie
*	00083787000	Seikosha Printer Ribbon, SP 2400 9 Pin
	00086422000	Seikosha Printer Ribbon, SL-70 24 Pin
	00084436000	Okidata - Ribbon
	00086860000	Epson 2250, 9 Pin - Ribbon
	00086929000	Epson 3250, 24 Pin - Ribbon
*	00088292000	Printer Kit 115V - Printer, paper, cable
	00088293000	Printer Kit 220V - Printer, paper, cable
	00086617000	Printer Kit 115V (24 Pin)



* Not Shown

Remote Display 86038



Remote Display Kits:
 86277 - Remote w/ 33 ft cable
 86278 - Remote w/ Curly cable

Ref No.	QTY	Part No.	Description
1	1	00086035000	Bezel, Front, Remote Display
2	1	00086036000	Panel, Rear, Remote Display
3	1	00086037000	Pivot Base, Remote Display
4	1	00086166000	Switch - Membrane, Remote
5	2	00086179000	Window, LED
6	1	00086180000	Hook, Hanger
7	1	00081226000	Decal, "JBC"
8	1	00086183000	Plate, Cover, Hook
10	1	00086185000	PCB Assembly
11	2	01101740000	Screw - BHCS, #8-32 X 1/4 HS

Ref No.	QTY	Part No.	Description
12	1	00086262000	Cover, Seal
13	1	01122121000	Grommet
14	5	01101554000	Screw - BHCS, #8-32 X 3/8 HS
15	4	01122106000	Screw - BHCS, #8-32 X 1.0
16	2	01101777000	Screw - BHCS, 1/4-20 X 1 1/4 HS
17	4	01115607000	Screw - RHMS, #4-40 X 3/4 PHL
18	4	01122109000	Nut - KEPS, #4-40 CD/ZN
19	3	00086261000	Strip, Magnetic
20	5	01122122000	Washer, Flat, .375OD X .171ID N
21	2	01101609000	Nut, Stop, 1/4-20 UNC-2B CAD
22	2	01122110000	Washer, Spring .27 ID X .5
23	1	00083327000	Support, Receptacle
24	5	01122107000	Washer, Flat Nylon
25	2	01122108000	Washer, Flat Nylon
26	2	01107381000	Washer, Flat, 1/4 5/8OD X 9/32I
27	.04FT	00985268000	Seal Strip, 1/16 X 1/4
28	1	00083113000	Cable/Connector Assembly

Optical Heads

Item No.	Part No.	Description
1	00085480000	Headhousing with Bearing Assy. RF
	00085479000	Headhousing with Bearing Assy. LF
	00085482000	Headhousing with Bearing Assy. RR
	00085481000	Headhousing with Bearing Assy. LR
2	00085604000	Cover, Head
3	00085606000	Cushion, Head Cover RH
4	00085607000	Cushion, Head Cover LH
5	00085605000	Switch, Membrane
6	00086254EXO	PCB Assy, Toe
7	00083615000	Grommet, Optics
8	00083088000	Optics Assy, LF & RF (Detail Pg.15)
9	00083089000	Optics Assy, LR & RR (Detail Pg.15)
10	01101965000	Screw, RHM 10-24X2.25 (3 Used)
11	00083140000	Cable Assy, LED Drive, Track Toe
10	00083258000	Clamp Screw/Knob Assy. (4 Used)
	00083083000	Shaft Locking Screw
	00084323000	Knob, Locking
	01112968000	Shaft Screw (Brass) 10-32x7/16"
13	00083661000	Plate, Backing
14	00083327000	Support, Receptacle
15	01115607000	Screw, PHM 4-40X.75
16	01101533000	Screw, PHM 8-32X.375
17	00083140000	Cable, Rear LED array
18	00085792SVC	Inclinometer Assy. (All)
19	00084346000	Plate, Inclinometer Mount
20	00080267000	Grommet, Adjustment (3 each 84346)
21	01101689000	Screw, PHM 6-32X.25
22	00085548000	Bracket, Toe PCB (2 Used)
23	00083834000	Plug, 1" Plastic (2 Used)
24	01100255000	Washer, 5/16 std.
25	00083113000	Cable Assy., (Receptacle to PCB)
26	00083237000	Gasket Seal, Cable Assy.

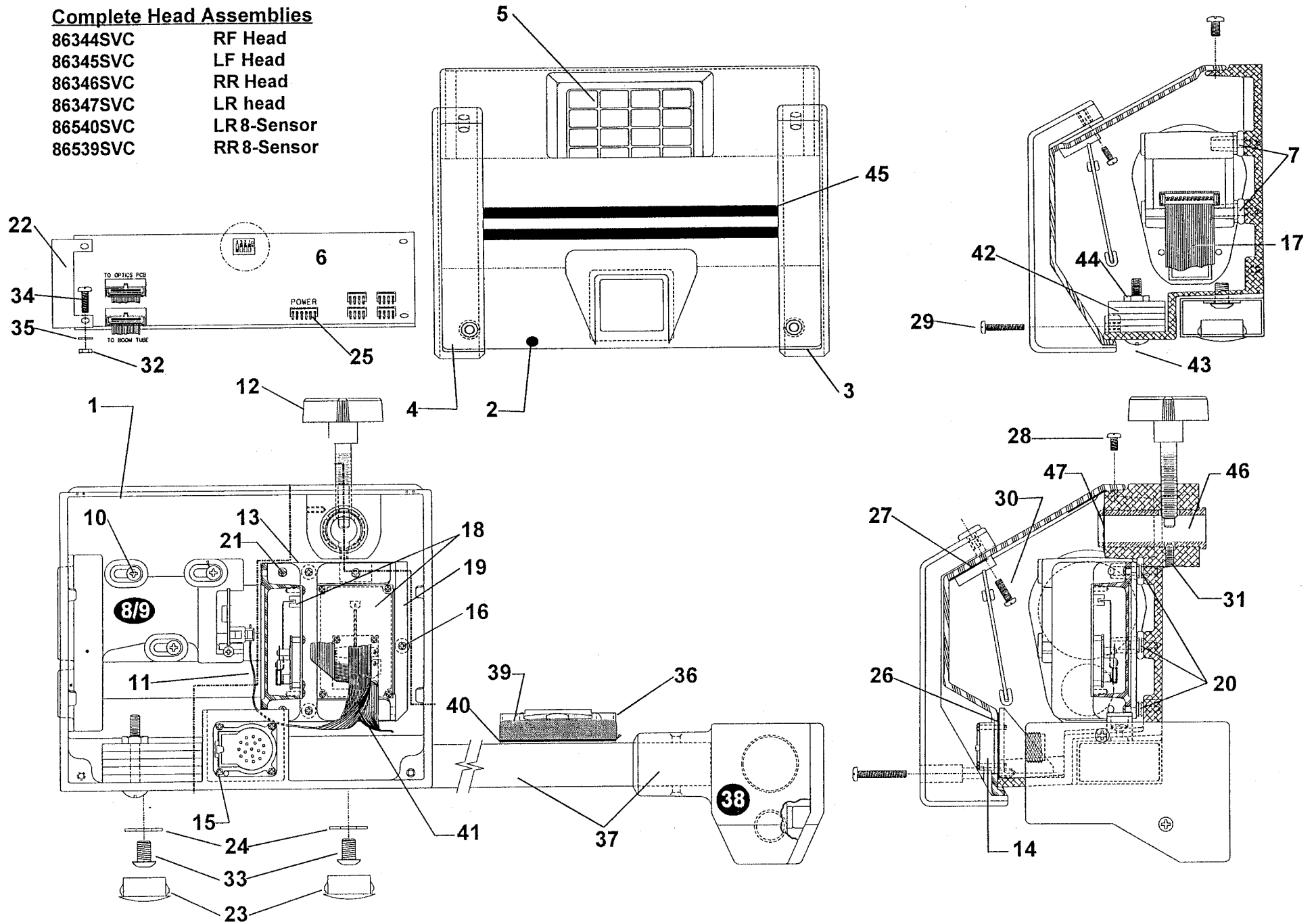
Item No.	Part No.	Description
27	00985268000	Strip Seal. (Cover to housing)
28	01101957000	Screw, PHM 10-24X.375 (2 Used)
29	01122064000	Screw, 10-24X1.00 (2 Used)
30	01101688000	Screw, 8-32X.375 (2 Used)
31	01122040000	Screw, Set Steel 10-24X.56
32	01101255000	Nut, Hex Stop
33	01187795000	5/16-18X3 Button Head Setscrew
34	01101731000	Screw, PHM 6-32X.625 (4 Used)
35	01101955000	Washer, Nylon #6 (4 Used)
36	00086159000	Level Vial - Black RD.
37	00086561000	Tube Assy. Right Front Head
	00086562000	Tube Assy. Left Front Head
	00086600000	Boom Tube (with Nut Serts)Black Vial
38	00083821000	Projector Housing Left Front Head
*	00083822000	Projector Housing Right Front Head
		Note: (Projector Detail on Page 15)
39	01116201000	Screw, Oval Hd 6-32X.625 (2 Used)
40	00086160000	Gasket, Black Level Vial
41	00064383000	Tie Wrap
42	00083284000	Counter Weight (4 Used)
43	01115840000	Screw, RHM 10-24X1.25
44	01101479000	Nut, Keps 10-24
45	00085666000	Decal Stripe, Head Cover
*	00085642000	Head Bushing (4 Used)
*	01101967000	Ring Retaining (4 Used)
		* NOT SHOWN

NOTE: **BOLD** face indicates an assembly

Optical Heads

Complete Head Assemblies

- | | |
|----------|------------|
| 86344SVC | RF Head |
| 86345SVC | LF Head |
| 86346SVC | RR Head |
| 86347SVC | LR head |
| 86540SVC | LR8-Sensor |
| 86539SVC | RR8-Sensor |



Optic Modules and Cable Assembly

Cross Toe

Ref	Part	Description
No.	No.	
1	00083822000	Lens Housing Projector RH
	00083821000	Lens Housing Projector LH
2	00083121000	Projector Housing Cover RH
	00083117000	Projector Housing Cover LH
3	01101825000	Screw, 8-18x3/4" CSK (2 used)
4	01101835000	Screw, 1/4-20x1/2" Black Oxide (3 used)
5	00063031000	Lens, Plano, Collumating
6	00084975000	Retainer, Collumating Lens
7	00082134000	Lens Projection (Cross & Rear Heads Track)
8	00063019000	Lens, Receiver
9	00083157000	PCB Assy., Receiver
10	00083154000	PCB Assy., LED Array
11	00083141000	Cable Assy, LED Array
12	01101789000	Screw, LED Array Holding 8X1/2"
13	00083816000	Clip, Lens Retaining (4 used)
14	00083131000	Gasket
15	01122049000	Screw, Lens Retaining (6 Used)
*	01101760000	Hex Nut #6-32
*	00083824000	Right Front Housing Assy.
*	00083823000	Left Front Housing Assy.

Cross Toe Optic Module Assemblies:

00083823000 - Left Front and Right Rear Eight-Sensor
 00083824000 - Right Front and Left Rear Eight-Sensor

Track Toe Optic Module Assemblies:

00083089000 - LR, RR
 00088210000 - LF, RF

Track Toe

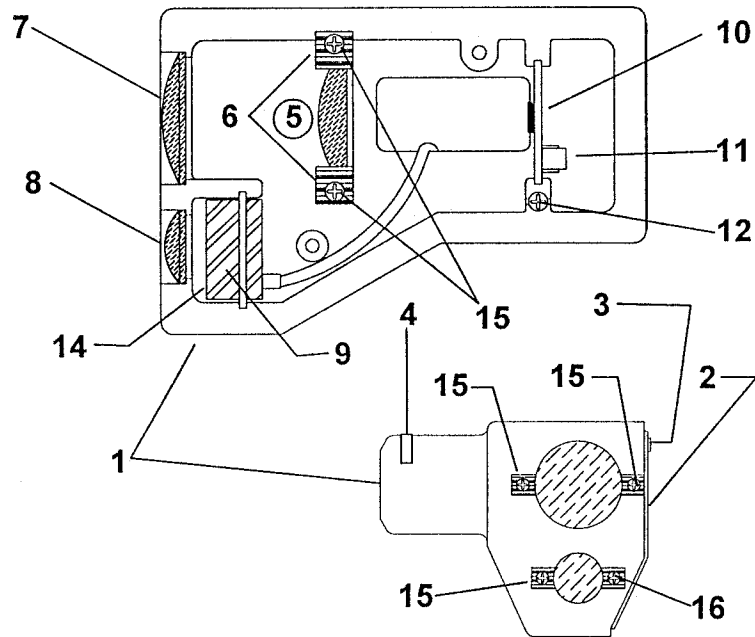
Ref	Part	Description
No.	No.	
1	00083820000	Optics Module Housing
2	00063031000	Lens, Plano, Cylindrical
3	00082159000	Lens, Prism (Tri Lens)
4	00083130000	Lens Retainer Track Toe (rear heads only)
5	00082134000	Lens Projection (cross & rear heads track)
6	00063019000	Lens, Receiver
7	00083153000	PCB Assy., Receiver
8	00083154000	PCB Assy., LED Array
9	01101789000	Screw, LED Array Holding 8X1/2"
10	00083131000	Gasket
11	00083818000	Clip, Lens used to retain all Prism type lens (Also used to retain receiver lens front & rear)
	00083817000	Clip, Lens used to retain rear Projection lens
12	01115710000	Screw, Receiver Lens Retaining #6-32 (2 Used)
13	01101760000	Hex nut #6-32 (Receiver Lens Retainer)
*	01122049000	Screw, Projector Retaining (3 Used)
*	00083615000	Grommet, 3 Used

00085617000	Head Interconnect Cable Assembly (33 ft.)
00085616000	Head Interconnect Cable Assembly (65ft.)
00086110000	Head Interconnect Cable Assembly (Wired Rack)
00085660000	Head Interconnect Cable Kit (2 X 65 ft.)
00069804000	Wired Rack to Head (Curly Cable)

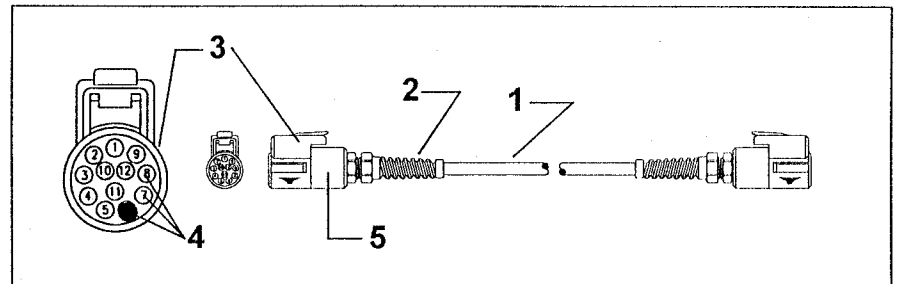
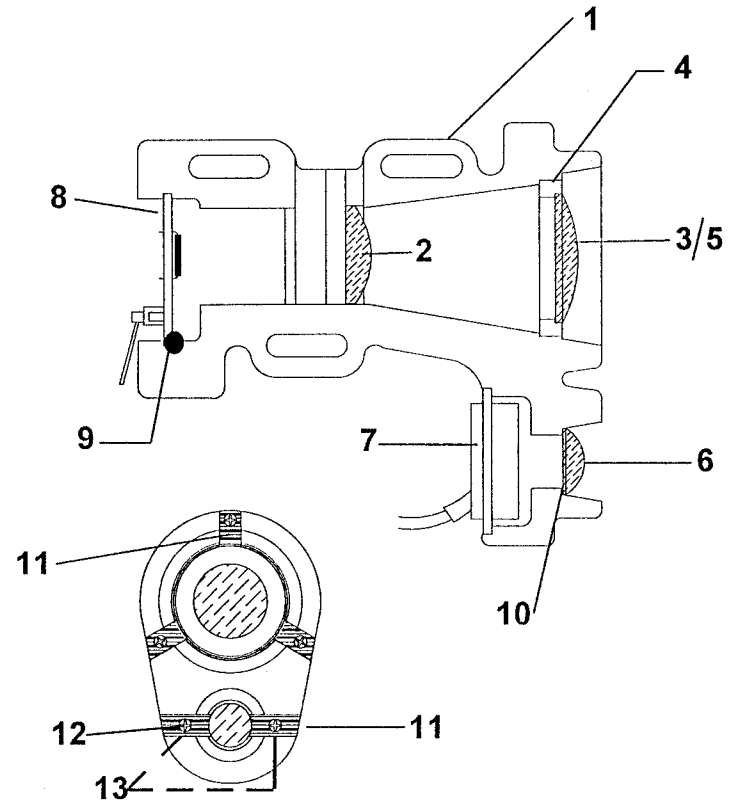
Ref	Part	Description
No.	No.	
1	00085676000	Cable 4 Conductor (33.3')
2	00081121000	Flex fitting (Strain Relief)(Less nut)
3	00083194000	Connector Plug, 12 pin
4	00070877000	Contact Socket (8 used)
5	00083319000	Sleeve (2 Used)

Optic Modules and Cable Assembly

Cross Toe



Track Toe



Wheel Clamp 85632 (85631 - Pair)

Ref No.	QTY. Req'd	Part No.	Description
1	2	00085646000	Rod, Wheel Clamp
2	1	00083097000	Screw Assembly, Clamp Knob
3	1	00085649000	Shaft - Stub, Wheel Clamp
4	2	00085634000	Extension Rod
5	4	00057666000	Spring Plate, Lock
6	1	01110771000	Screw, Set, 1/4-20 X 1/2 HS CON
7	1	00085643000	Bracket Assembly, Lower
	1	00085648000	Bracket Casting, Clamp, Lower
8	2	00083067000	Bar, Tightening
9	1	00085644000	Bracket Assembly, Locking
	1	00085650000	Bracket Casting, Clamp, Upper
10	1	00083068000	Cover
11	3	00085630000	Boot Grabber
12	4	01115690000	Screw - RHMS, #6-32 X 3/8 PHL ZN
13	2	00063780000	Pin, Friction
14	3	00085633000	Grip, Wedge/Casting CHNG11/2/92
	3	01122068000	O-Ring - .625OD X .437ID X .093W
*		00085688000	Wedge Grip with O-Ring - assembly
15	2	00058815000	Spring, Friction Hub
16	1	01110818000	Screw - SHCS, 5/16-18 X 3/4
17	2	01110677000	Screw - RHMS, #10-32 X 1/4 SLT Z
18	1	00085647000	Storage Grabber
	1	00085652000	Plate - Backing, Grabber Retainer
19	4	01122074000	Grommet -1.125 OD X .625 ID
20	2	01122064000	Screw - PHMS, #10-24 X 1 PHL BLK
21	1	00081241000	Decal, Logo - JBC, 1 X 3.5
22	2	01101479000	Nut - KEPS, #10-24 UNC-2B CD/ZN
23	2	01103441000	Screw - Set, 1/4-20 X 3/8 HS CUP
24	2	00086409000	Screw, Thumb Knob
25	1	00085645000	Bracket Assembly - Sliding
	1	00083069000	Sliding Bracket Casting, Machined

Kits

86783 - Rod Extension Kit

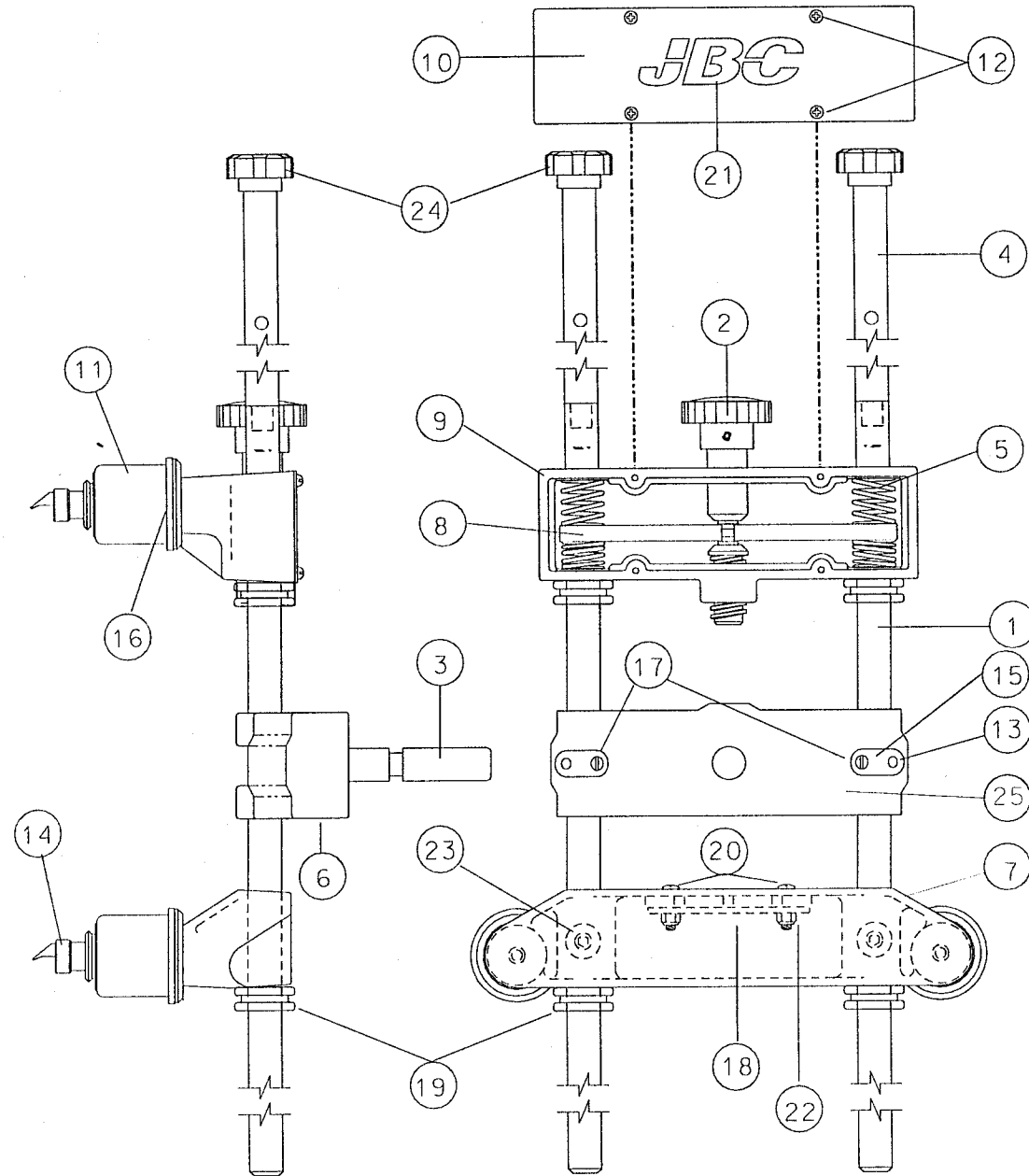
8	00086474000	- Rod extension 1.75" rod
12	00086566000	- Long Wedge Grips
12	01122068000	- "O" Rings

00086577000 - Long Wedge Grip only with "O" Ring (Qty 1)

85804 - Spacer, Grabber

12	00085803000	- Spacers
12	01102356000	- Screw 5/16 - 18x21/4
12	01122145000	- Screw 1/4 - 20x21/2

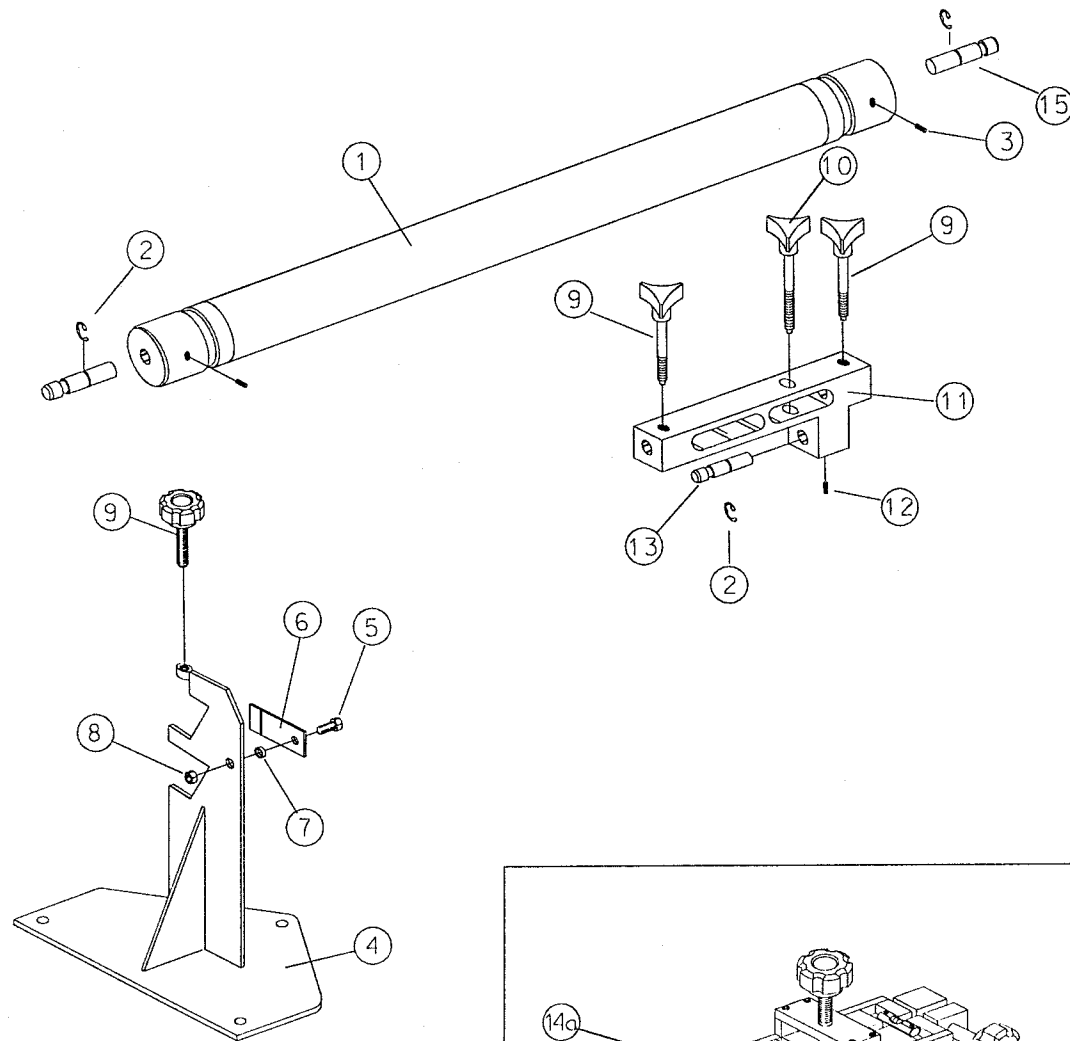
Wheel Clamps



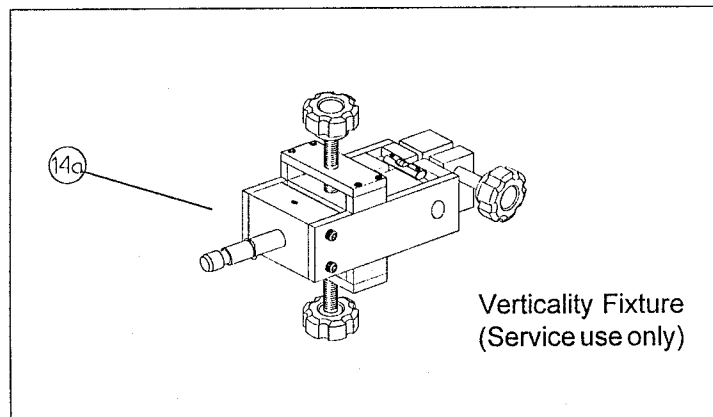
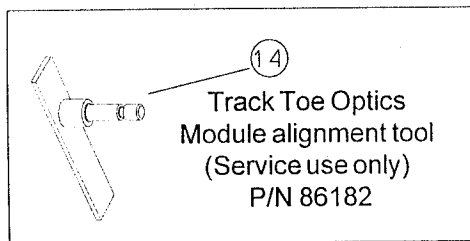
Calibration Kits

Customer Calibration Option (Kit Number 84196, includes items 1-12)

Item	Part	
<u>No.</u>	<u>No.</u>	<u>Description</u>
1	00084199000	Bar Assembly (includes: 3, and 15 two each)
*	00063696000	Bare Bar
2	01101729000	Snap Ring
3	01100108000	Knurled Cup 3/8-16x1/2" (Shaft retaining Set Screws)
4	00084102000	Calibration stand (Single Stand bare)
4a	00084198000	Calibration stand assembly (2 Stands with hardware no. 5-8)
5	01101620000	Shoulder screw 3/8"
6	00063388000	Pointer, calibration fixture
7	00059778000	Spacer
8	01182563000	5/16-18 Hex Nut
9	00083258000	Screw, locking knob assy - short
10	00083259000	Screw, locking knob assy - long.
11	00083785000	Track toe calibration inversion fixture assembly includes: no. 2, and 9, 10, 12 and 13
12	01110770000	Screw, cone pt 1/4-20x3/8"
13	00084630000	Calibration stub shaft for inversion fixture
14	00086182000	Optics Module alignment fixture (Service only)
14	00088382000	Verticality Fixture Kit with Short Visualiner Type Stub Shaft (Service only)
15	00084267000	Stub shaft
*	00086436000	Calibration Software only
*	NOT SHOWN	



Calibration Kit 84196





John
BEAN
Company

USA

John Bean Company
309 Exchange Avenue
Conway, Arkansas 72032
Tel.: (800) 362-8326 or (501) 450-1500
Fax: (501) 450-1585

GERMANY

John Bean Auto Service Gerate
Division to Sun Electric Deutschland GmbH
Gewerbepark Sinn
D-35764 Sinn Herborner Str. 7-9
Tel: (49) 2772-9404-0
Fax: (49) 2772-94042-23

CANADA

John Bean Company
6500 Millcreek Drive
Mississauga, Ontario
Canada L5N 2W6
Tel: (905) 814-0114
Fax: (905) 814-0110

IRELAND

Formguide Services Ltd.
T/a John Bean Company
Sitecast Industrial Estate
Little Island, Cork
Tel: (353) 21-354477
Fax: (353) 21-354488

FRANCE

John Bean Company
Z.I. Du Haut Galy - Galy 8
93623 Aulnay S/S Bois
Tel: (33) 1-4865-3828
Fax: (33) 1-4865-7331

LATIN AMERICA

Rua Apinages
1268 cj. 605B
Perdizes-Sao Paulo-S.P.
Cep: 05017-0000
Brazil
Tel: (55) 11-871-0713
Fax: (55) 11-871-0713

Notice: The information contained in this document is subject to change without notice. **John Bean Company** makes no warranty with regard to this material. **John Bean Company** shall not be liable for errors contained herein or for incidental consequential damages in connection with furnishings, performance, or use of this material.

This document contains proprietary information which is protected by copyright and patents. All rights are reserved. No part of this document may be photocopied, reproduced, or translated without prior written consent of **John Bean Company**.

John
BEAN is a registered trademark of the John Bean Company and Snap-on Corporation.