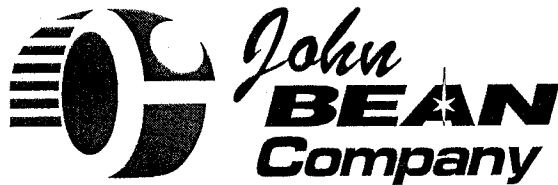
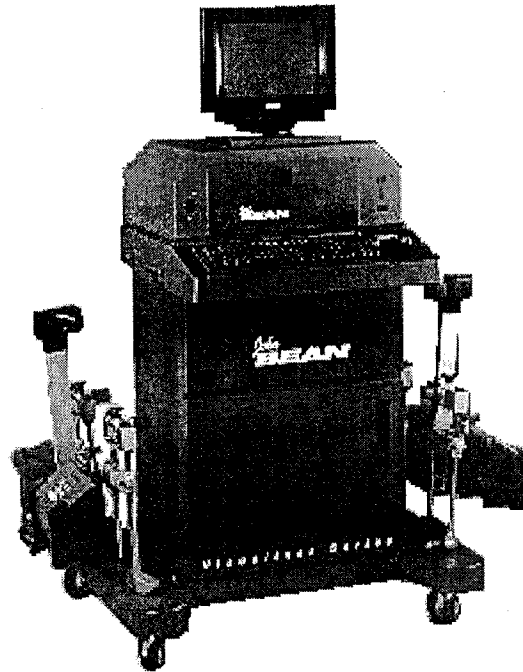


Visualiner 5 Series

Parts Reference



*The Leader in
Alignment Technology
Since 1925*

FORM 5399

"FOR REFERENCE ONLY"
For Current Information see www.equiserv.com/techsupport

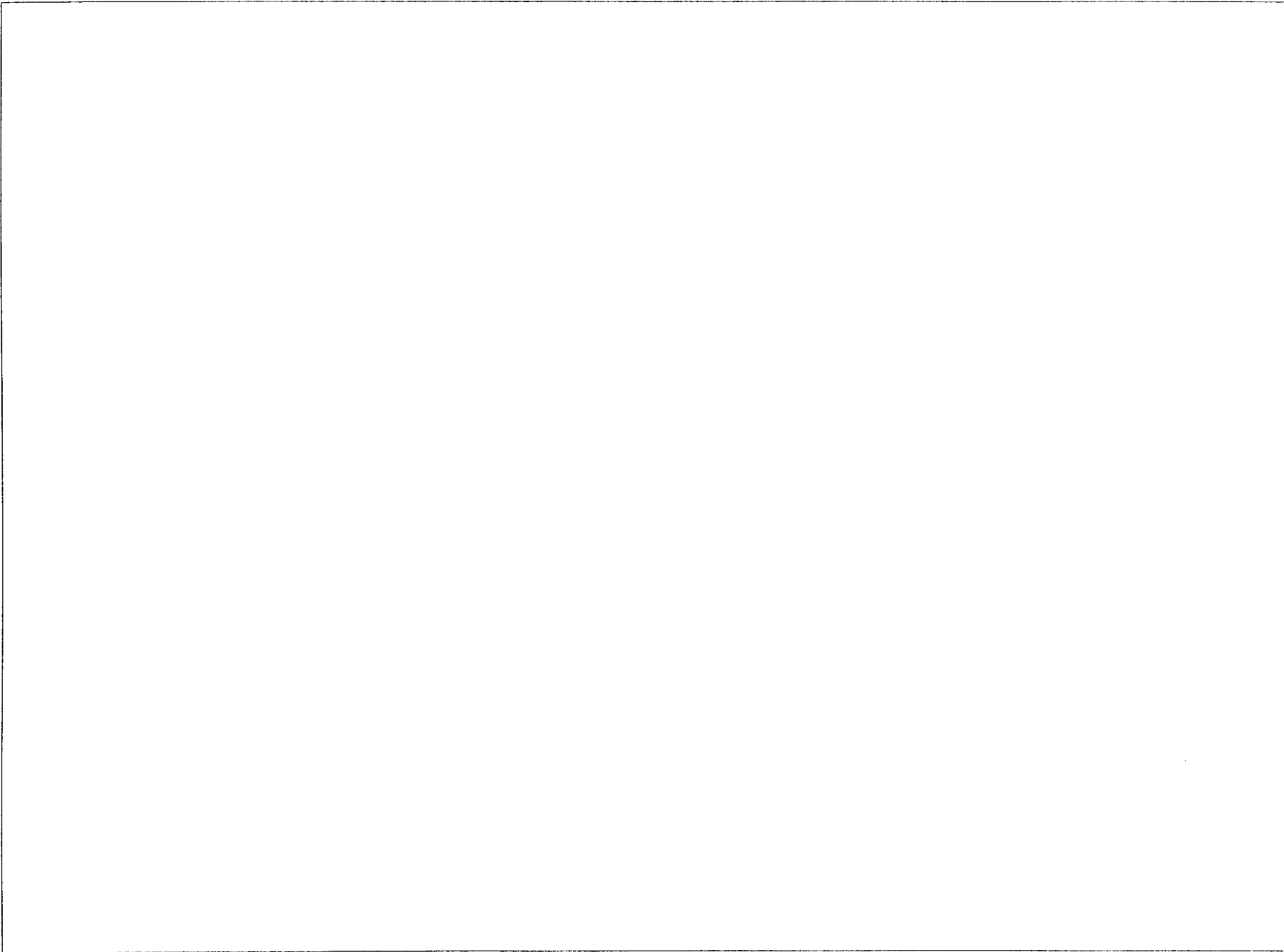


Table of Contents

Group	Page Number
Lower Cabinet Assembly	4, 5
Economy Lower Stand	6, 7
Upper Cabinet and Shelf	8, 9
Interconnect Box Assembly	10, 11
Computer Assembly	12, 13
Keyboard, Printer	14
Remote Display	15
Optical Heads	16, 17
Optic Modules & Cable Assembly	18, 19
Wheel Clamps	20, 21
Calibration Kit	22, 23

An () indicates a part not illustrated.*

John Bean Company reserves the right to make changes in the product without notice.

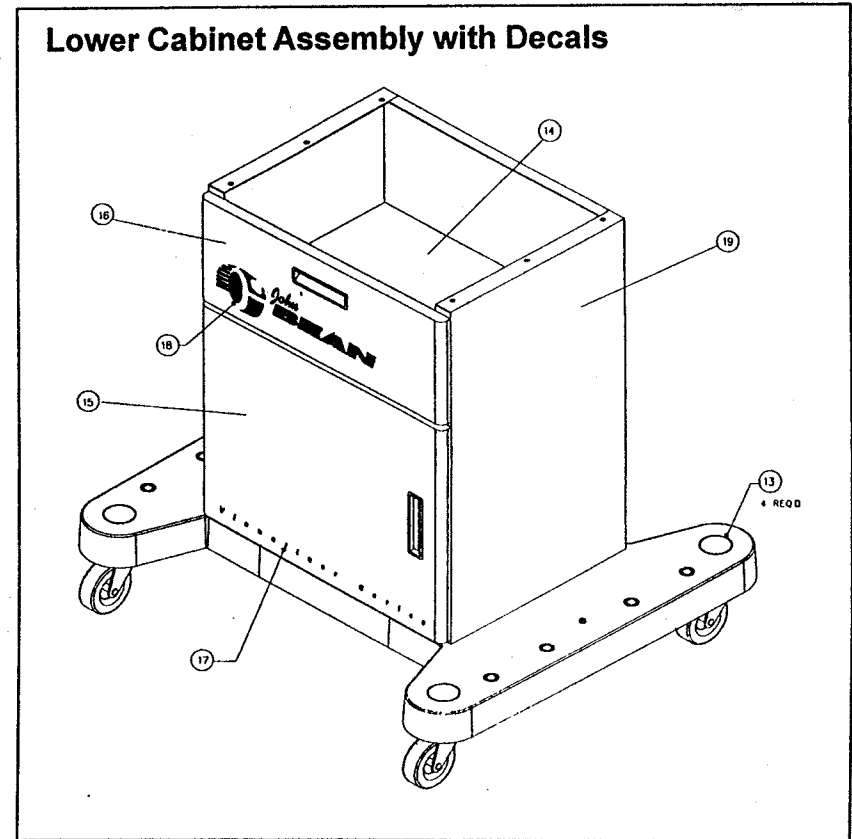
Lower Cabinet and Base Assembly

Item No.	Qty. Req'd	Part No.	Description
1	4	63590	Caster Wheel assy
2	2	85577	Rail - Side
3	2	85586	Rail - Cross
4	2	85588	Cover - Pedestal
5	1	85584	Extension Pedestal - Large
6	8	1177229	Bolt, 1/4 -20 x 1 1/2 HH Tap bolt
7	16	1122082	Self Tap Screw, 5/16 - 18 x 3/4
8	16	1107382	Washer - Flat, 5/16"
9	34	1101540	Nut - KEPS, 1/4 - 20
10	30	1107381	Washer Flat, 1/4"
11	12	1122075	Screw - HHW, 1/4 - 20 x 3/4
12	2	1101882	Screw - Pan Head, 1/4 - 20 x 1 1/2

Shown this page....

13	4	85672	Round self adhesive decals
14	1	85744	Printer Shelf Assy.
15	1	85753	Lower Door Assy.
16	1	85754	Upper Door Assy.
17	1	85694	Decal - Visualiner Series
18	1	81224	Decal - John Bean Logo - 16"
19	1	85734	Cabinet Assembly
*	1	85745	Lid Support Rod

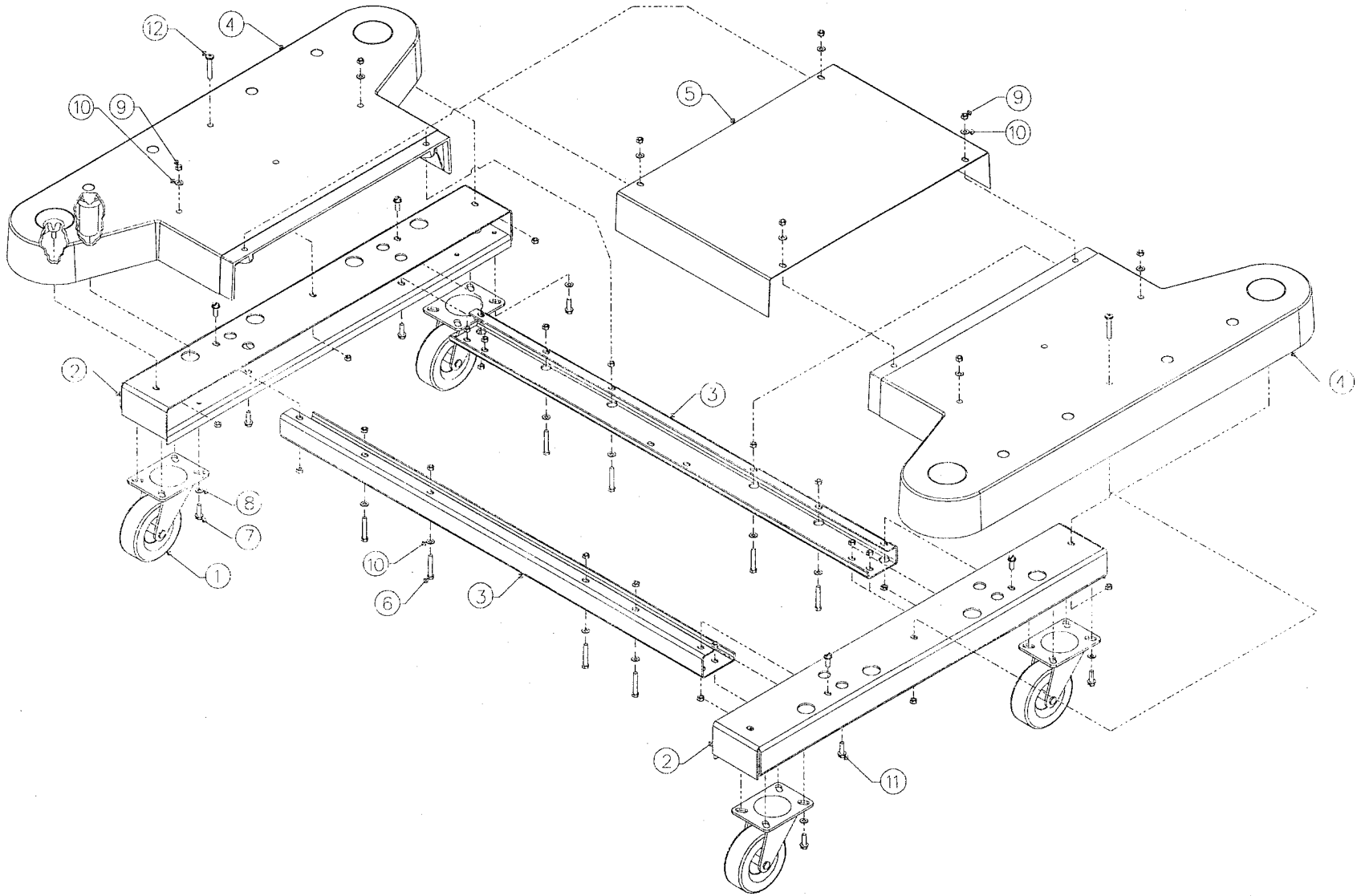
* Not Shown



Accessories not Shown

000000 96000	Brake Pedal Depressor
00055502000	Steering Wheel Holder
00085711000	Merchandising Kit
00085567000	Remote Controller
01122063000	Batteries, 2 required, Size AA for remote

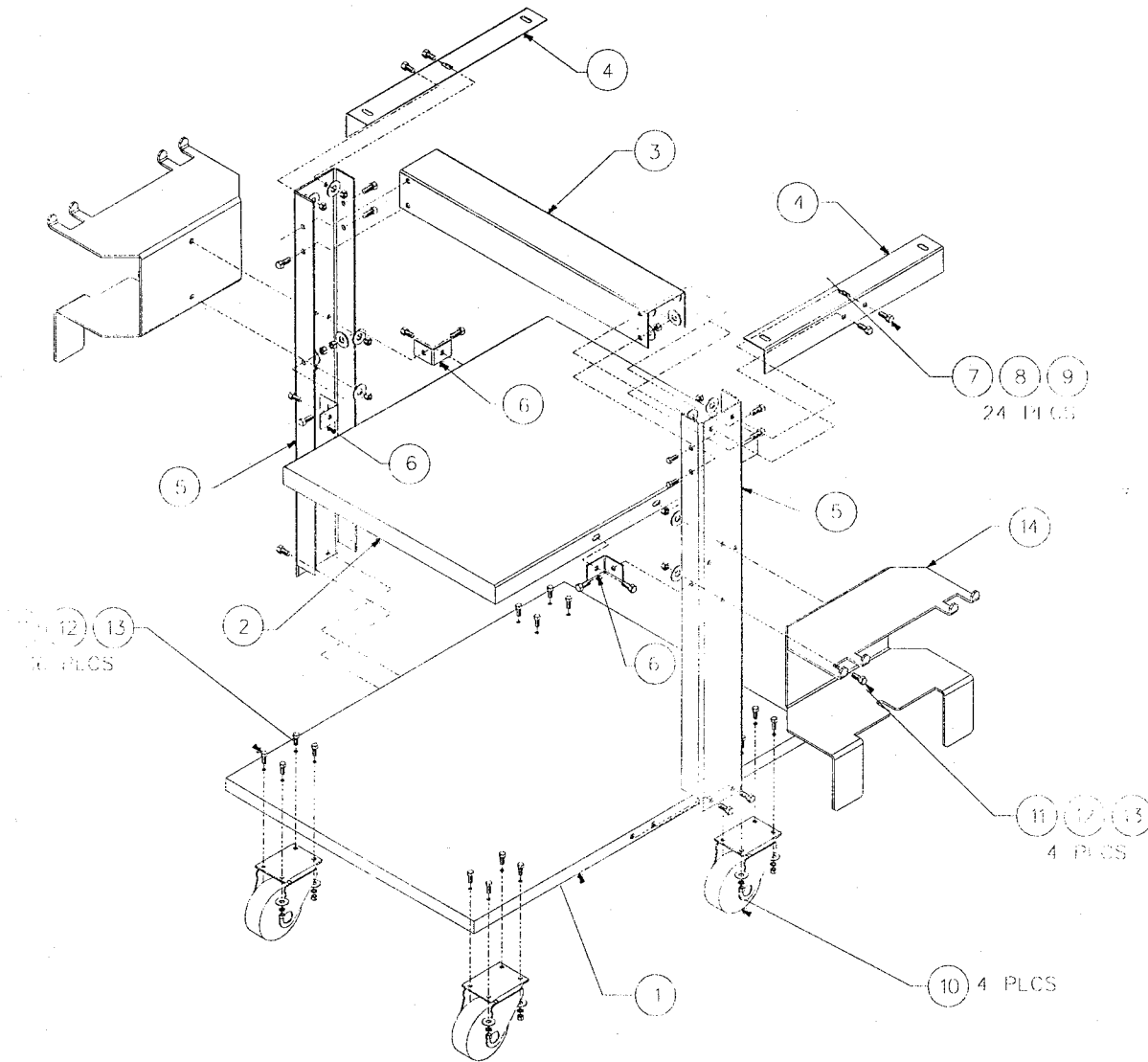
85587 Base Assembly



Economy Stand - 86137

Item No.	Qty. Req'd	Part No.	Description
1	1	00086138000	Shelf - Bottom, Aligner Stand
2	1	00086139000	Shelf - Middle, Aligner Stand
3	1	00086140000	Brace - Top, Aligner Stand
4	2	00086141000	Rail - Top, Aligner Stand
5	2	00086142000	Side - Leg, Aligner Stand
6	4	00086143000	Bracket - Shelf, Middle
7	28	01110818000	Screw - SHCS, 5/16 -18 X 3/4
8	28	01107382000	Washer - Flat, 5/16 11/16X11/32
9	28	01122033000	Nut - KEPS, 5/16 -18
10	4	00063590000	Caster - Swivel, 4"
11	20	01101540000	Nut - KEPS, 1/4 - 20 UNF - 2B CD/ZN
12	20	01107381000	Washer - Flat, 1/4 5/8 OD X 9/32I
13	20	01102344000	Screw - SHCS, 1/4 - 20 X 3/4 PL
14	2	00086241000	Bracket - Clamp, Wheel

Economy Stand - 86137

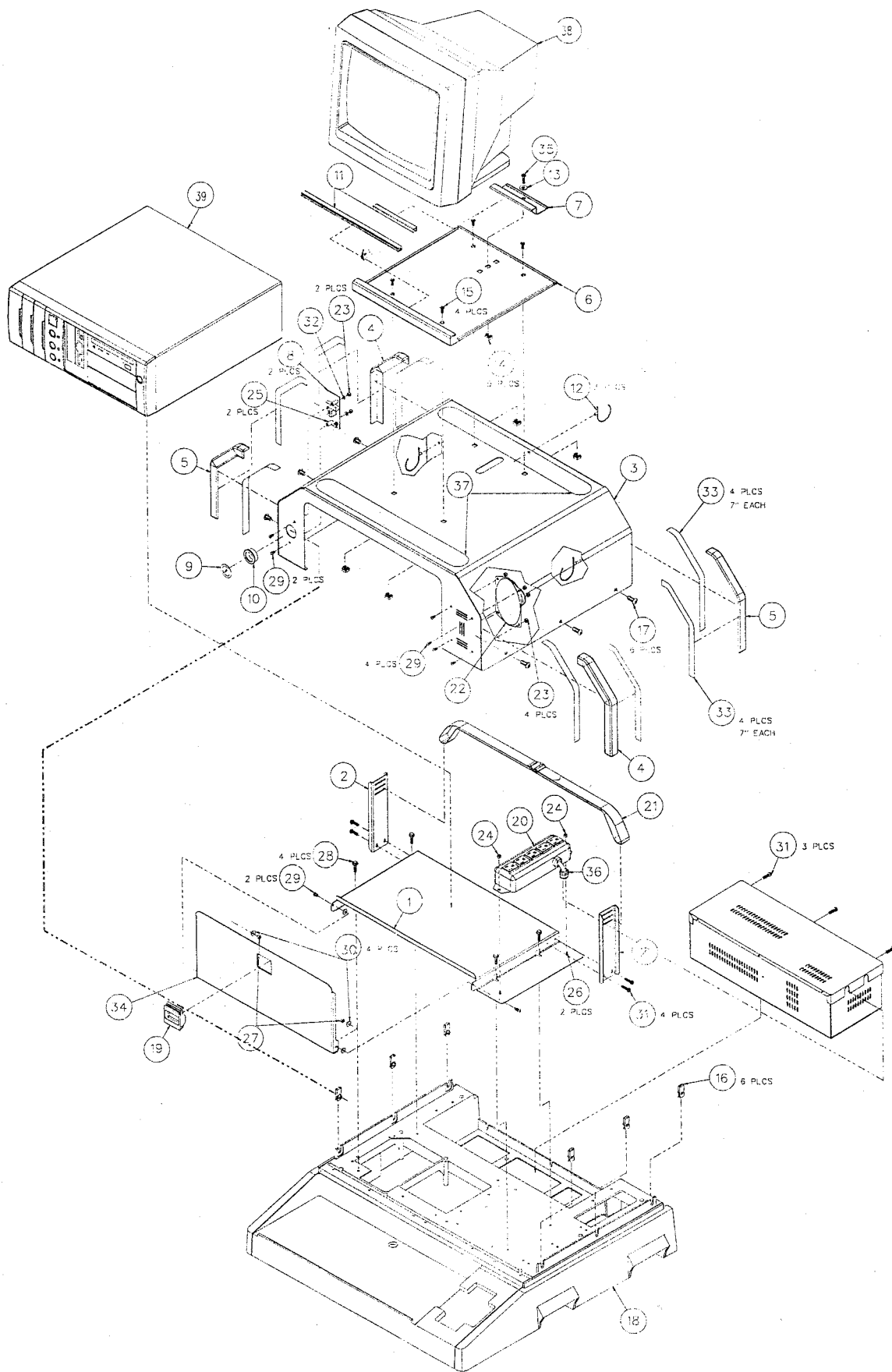


Upper Cabinet and Shelf

<u>Ref No.</u>	<u>Qty Used</u>	<u>Part No.</u>	<u>Description</u>	<u>Ref No.</u>	<u>Qty Used</u>	<u>Part No.</u>	<u>Description</u>
1	1	00088186000	Bracket - PC Support	22	1	00085638000	Speaker Assembly - Phone Cable
2	2	00088187000	Bracket - PC Adjust	23	6	01181298000	Nut - KEPS, #8 - 32 UNC - 2B CD/ZN
3	1	00088190000	Weldment - Shell, Upper	24	2	01101479000	Nut - KEPS, #10 - 24 UNC-2B CD/ZN
4	2	00088191000	Cover - Trim, Right	25	2	01122299000	Spacer - Nylon, .31 X .17 X .63
5	2	00088192000	Cover - Trim, Left	26	2	01122300000	Stud - PEM 10 - 24 X 3/8, FH
6	1	00088145000	Clamp - CRT	27	2	01177785000	Nut - Stop, #8 - 32 UNC - 3B CAD
7	1	00088146000	Clamp - Adjust	28	4	01122057000	Screw - THD Form, #10 - 14 X 5/8
8	1	00088197000	Receiver Assembly - Remote	29	8	01101573000	Screw - BHCS, #8 - 32 X 1/2 HS
9	1	00088179000	Window - Remote,	30	4	01122050000	Washer - Flat, .50D X.165ID N
10	1	01122296000	Snap Bushing, #2198	31	7	01101883000	Screw - Self Tap, #8 - 32 X 3/8 HW
11	1.4ft	01122307000	Trim Locking - 3/16	32	2	01122107000	Washer - Flat, Nylon
12	3	01122314000	Tie Wrap - Push Button	33	4.7ft	01122302000	Tape - Foam, Adhesive - 7598A41
13	1	01101930000	Washer Flat, 1/4 Black Oxide	34	1	00088258000	Weldment - Panel, Door
14	5	01101802000	Nut, Tinnerman, 1/4 - 20	35	1	01101988000	Screw - Self Tap, 1/4 - 20 X 3/4
15	4	01101872000	Screw - FHCS, 1/4 - 20 X 3/8 HS	36	1	00111193000	Clamp - Strain Relief
16	6	01101800000	Nut - 1/4 - 20, Type U	37	2	00088307000	Mat - Cover
17	6	01177619000	Screw - BHCS, 1/4 - 20 X 1/2 HS	38	1	00111891000	CRT 14" Monitor Assembly /Base
18	1	00086008000	Shelf - Keyboard, 27"	39	1	00088341000	Computer Assembly - CD only
19	1	01122298000	Slide Catch, Flush Style	39a	1	00088342000	Computer Assembly - CD & Floppy
20	1	00088246000	Strip Assembly, Power	*		00086018000	Printer
21	1	01122285000	Strap Cinch, 48" LG	*		00085569000	Keyboard - Bare - 104 key
				*		00085718000	Keyboard with Decals and Jumper (see page 12)

* NOT SHOWN

Upper Cabinet and Shelf

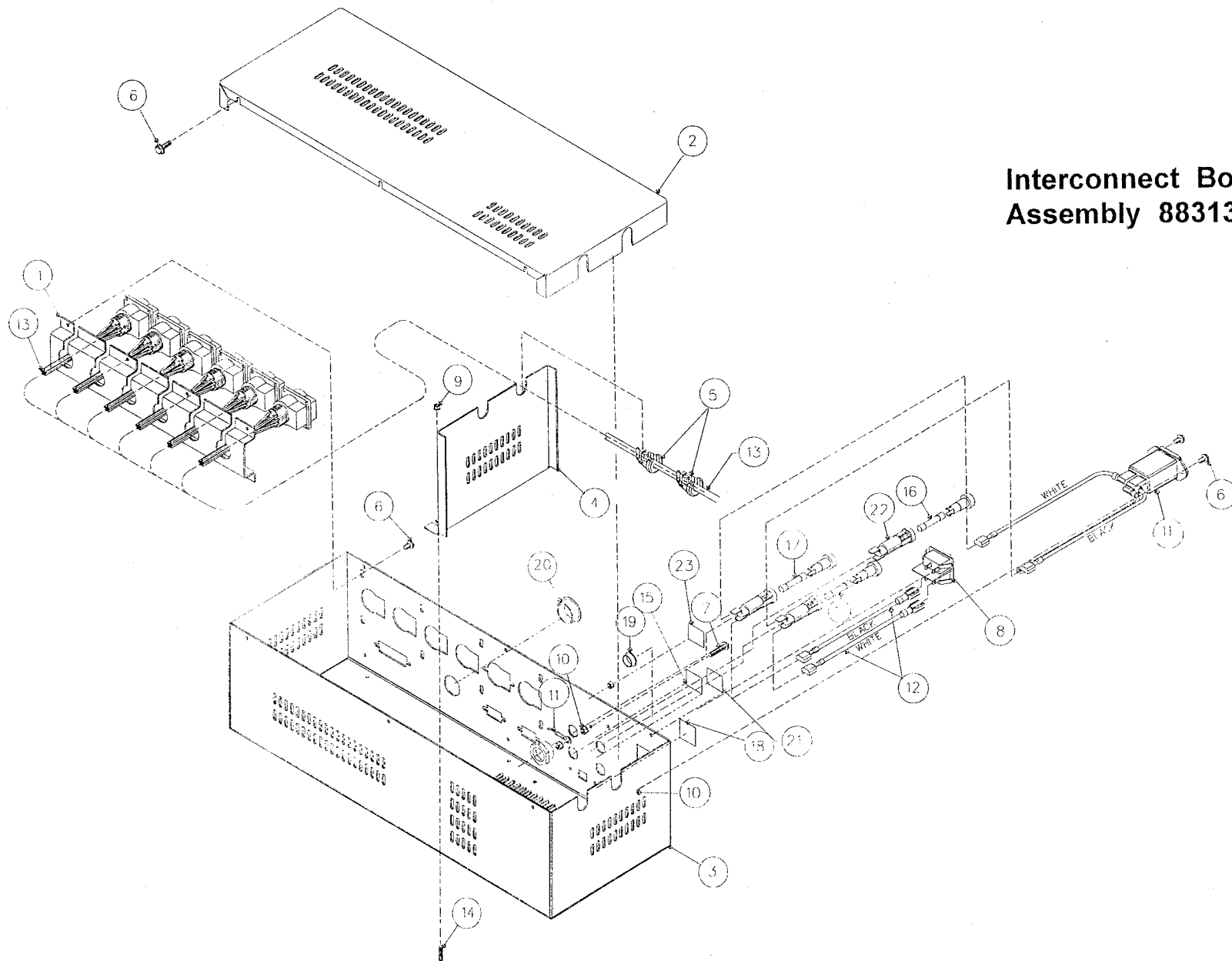


Interconnect Box Assembly 88313

Ref No.	QTY. Req'd	Part No.	Description
1	1	00085665000	Panel - Connector, Interconnect Box
2	1	00088268000	Panel - Top - Interconnect Box
3	1	00088267000	Panel - Bottom - Interconnect Box
4	1	00085669000	Panel - Divider - Interconnect Box
5	2	00085670000	Clamp - Strain Relief
6	1	01101883000	Screw - Self Tap, #8 - 32 X 3/8 HW
7	1	00083558000	Screw, Ground - Special
8	1	00083048000	Switch, On/Off
9	2	01101760000	Nut - KEPS, #6 - 32 UNC-2B CD/ZN
10	5	01181298000	Nut - KEPS, #8 - 32 UNC-2B CD/ZN
11	1	00085331000	Cable Assembly - Power
12	1	00088279000	Cable Assembly - Main Fuse/Switch
13	1	00088287000	Cable Assembly - HIB/Interconnect
14	2	01122051000	Stud, Press -in, #6 - 32 X .50
15	1	00088270000	Label - Fuse Holder, 8 AMP
16	1	00074208000	Fuse - Fast Blow, 3.00A 250V
17	2	00074120000	Fuse Slow Blow, 8.00A 250V
18	1	00086164000	Label - Fuse
19	1	01122318000	Plug, Double "D"
20	1	01122319000	Plug - Hole, Dome Snap IN411
21	1	00088271000	Label - Fuse Holder, 3 AMP
22	3	00085547000	Holder - Fuse, Panel Mount VDE
23	1	00111631000	Label - Frame or Chassis Terminal
24	1	00086465000	Label - Warning, Shock

* Some Wiring Harness not shown for pictorial clarity.

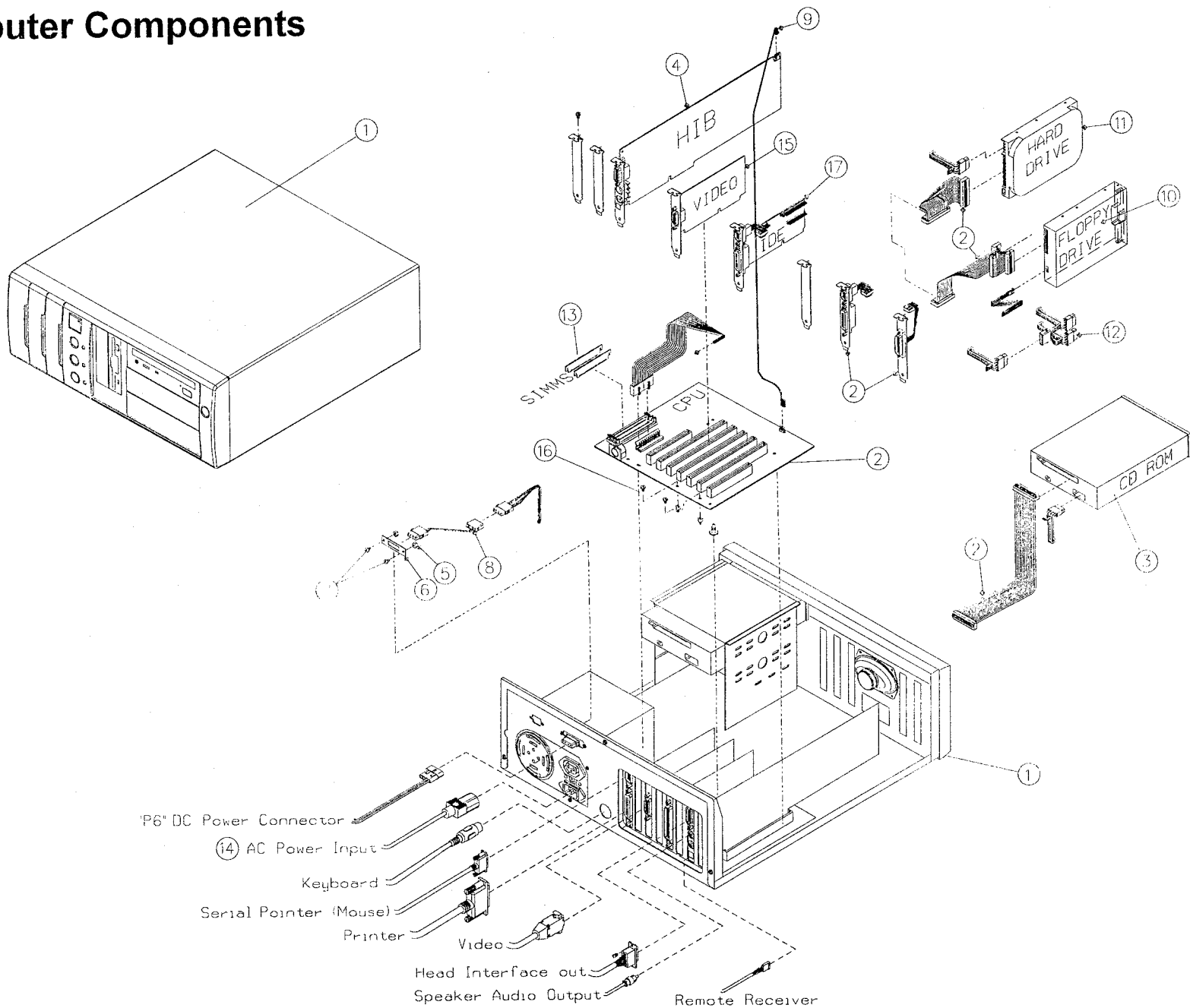
Interconnect Box Assembly 88313



Computer Components

<u>Ref</u>	<u>Part No.</u>	<u>Description</u>	<u>SOFTWARE</u>
1	00088290000	Case Assy. Desktop w/power supply	* 00086432000 Floppy (2) - Blank Formatted
*	00085529000	Power Supply	* 00086367000 CD ROM Software only (1 CD)
2	00088284000	Main CPU Kit - Motherboard, ISA, 4 meg	
3	00086866000	Drive, CD ROM - Kit, drive only is 86865	* Indicates software with license
4	00086864000	Controller Assy. Head Interface (HIB)	
5	01101760000	Nut, Keps #6-32	* NOT SHOWN
6	00085549000	Bracket, Connector, holds cable 85377 below	
7	01101532000	Screw, #6-32x3/8" Pan Head	
8	00085377000	Power Supply Cable Assembly - Three wire	
9	00085663000	Cable Assy, Audio feed, mother board to HIB	
10	00086016000	Drive, Floppy - 1.44Meg. 3.5"	<u>COMPUTER DESKTOP PC ASSEMBLIES</u>
*	00085591000	Cover, Floppy slot	00088341000 486 PC Assembly with 4 meg RAM, CD only
*	00085590000	Cover, CD slot	00088342000 486 PC Assembly with 4 meg RAM, CD and Floppy
11	00085372000	Hard Disk Drive, IDE, (Optional)	
12	00085737000	Power Splitter 3.5" floppy	
13	00085334000	8 Meg SIMM Memory Module - 72 Pin	
	00088200000	2 Meg SIMM Memory Module - 72 Pin	
	00085333000	4 Meg SIMM Memory Module - 72 Pin	
14	00085639000	Power Cord (115V)	
15	00085528000	Video Card	
16	01122049000	Screw, Self Tap #6 - 32 x 3/8"	
17	00085527000	IDE Controller Card	

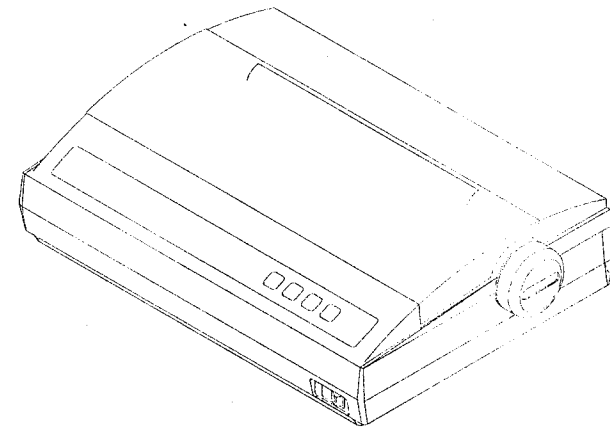
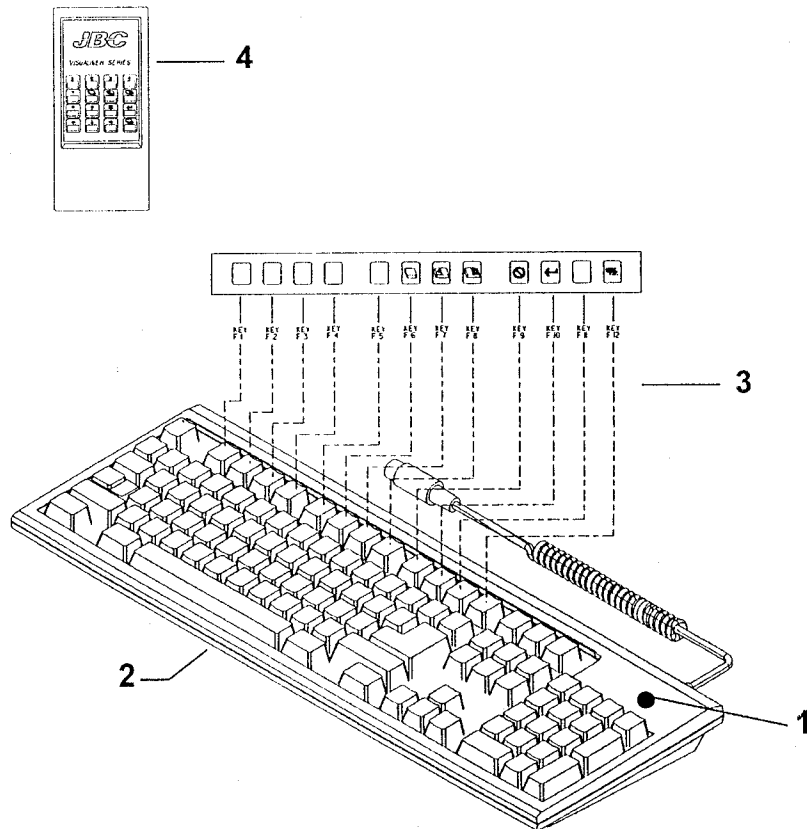
Computer Components



Keyboard, Printer & Remote

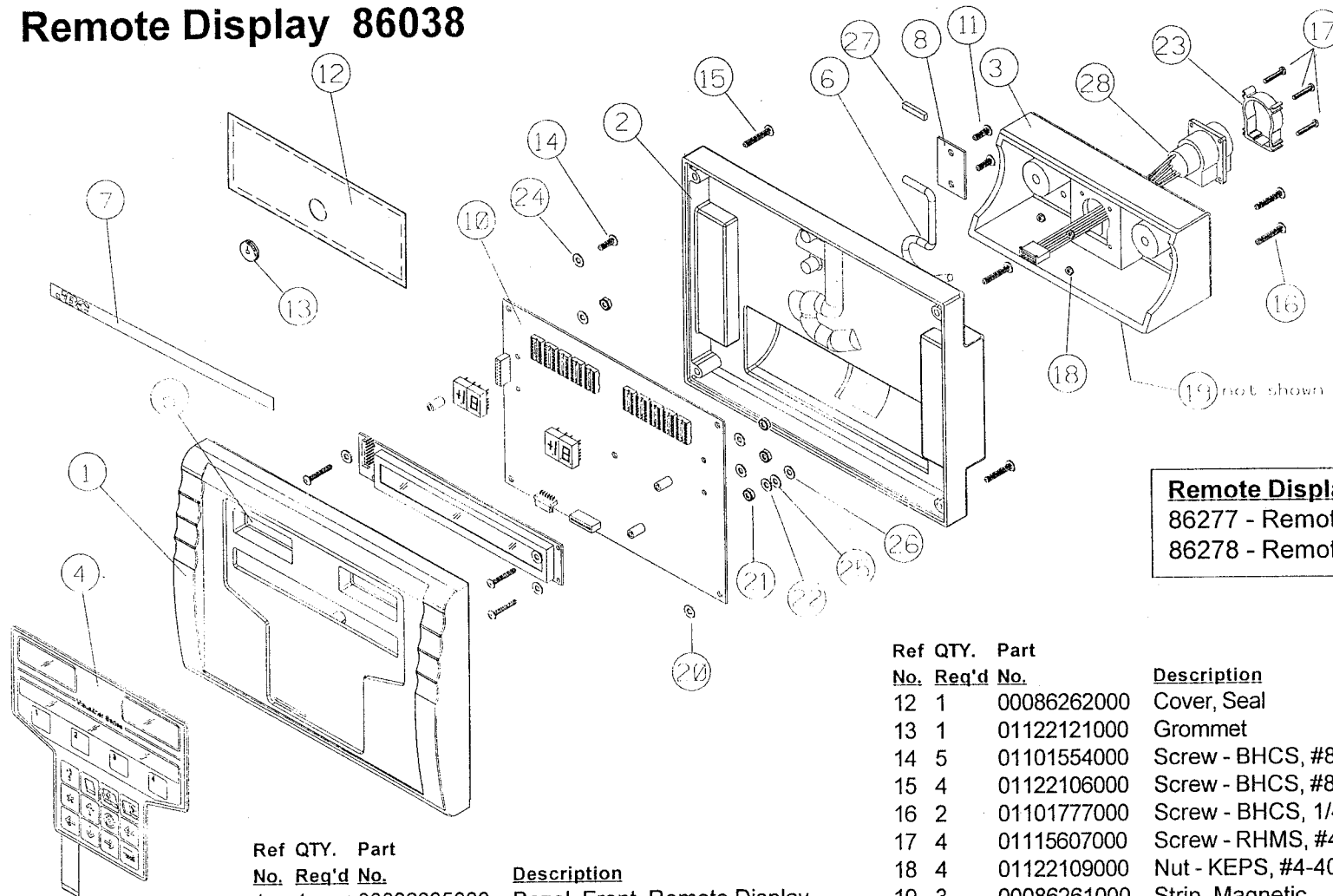
Ref. No.	Part No.	Description
1	00085569000	Keyboard, 104 key
*	00085718000	Keyboard with Decals (#2) and Jumper 85594
*	00085594000	Jumper Cable, (UL&CSA)
2	00086134000	Keyboard Cover - Antec
3	00085690000	Keyboard Decal kit
4	00081225000	Remote Control
*	01122063000	Battery, size AA for Remote, 2 required

Ref. No.	Part No.	Description
*	00084336000	Printer 115V
*	00086023000	Printer 220V
*	00083055000	Printer Interface Cable
*	00083049000	Printer Paper, One box
*	00086019000	Printer Kit 220V - Includes: printer, paper, and cables
	00086018000	Printer Kit 115V - Includes: printer, paper, and cables



* Not Shown

Remote Display 86038



Remote Display Kits:
 86277 - Remote w/ 33 ft cable
 86278 - Remote w/ Curly cable

Ref No.	QTY.	Part No.	Description
1	1	00086035000	Bezel, Front, Remote Display
2	1	00086036000	Panel, Rear, Remote Display
3	1	00086037000	Pivot Base, Remote Display
4	1	00086166000	Switch - Membrane, Remote
5	2	00086179000	Window, LED
6	1	00086180000	Hook, Hanger
7	1	00081226000	Decal, "JBC"
8	1	00086183000	Plate, Cover, Hook
10	1	00086185000	PCB Assembly
11	2	01101740000	Screw - BHCS, #8-32 X 1/4 HS

Ref No.	QTY.	Part No.	Description
12	1	00086262000	Cover, Seal
13	1	01122121000	Grommet
14	5	01101554000	Screw - BHCS, #8-32 X 3/8 HS
15	4	01122106000	Screw - BHCS, #8-32 X 1.0
16	2	01101777000	Screw - BHCS, 1/4-20 X 1 1/4 HS
17	4	01115607000	Screw - RHMS, #4-40 X 3/4 PHL
18	4	01122109000	Nut - KEPS, #4-40 CD/ZN
19	3	00086261000	Strip, Magnetic
20	5	01122122000	Washer, Flat, .375OD X .171ID N
21	2	01101609000	Nut, Stop, 1/4-20 UNC-2B CAD
22	2	01122110000	Washer, Spring .27 ID X .5
23	1	00083327000	Support, Receptacle
24	5	01122107000	Washer, Flat Nylon
25	2	01122108000	Washer, Flat Nylon
26	2	01107381000	Washer, Flat, 1/4 5/8OD X 9/32I
27	.04FT	00985268000	Seal Strip, 1/16 X 1/4
28	1	00083113000	Cable/Connector Assembly

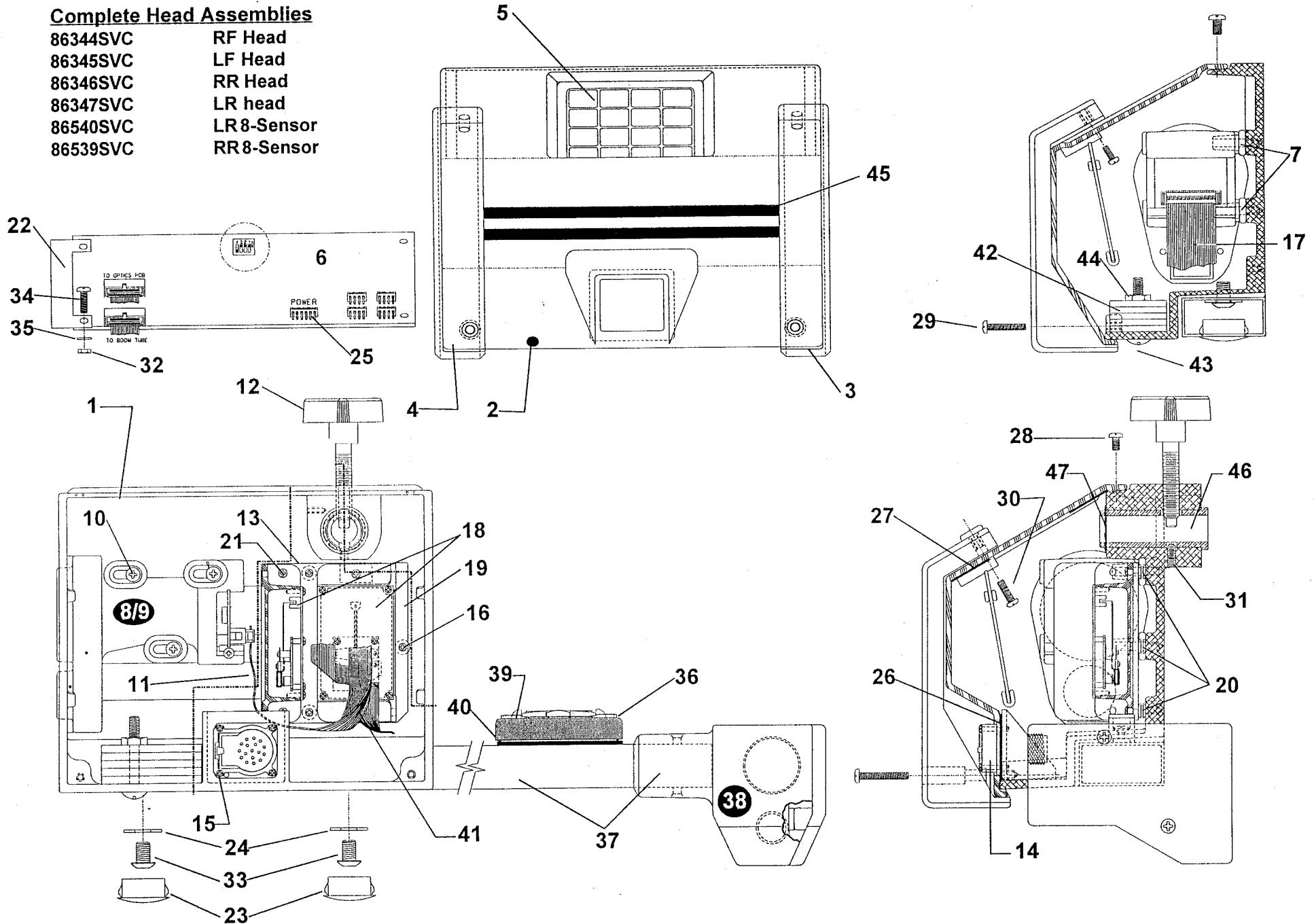
Optical Heads

Item No.	Part No.	Description	Item No.	Part No.	Description
1	00085480000	Headhousing with Bearing Assy. RF	27	00985268000	Strip Seal. (Cover to housing)
	00085479000	Headhousing with Bearing Assy. LF	28	01101957000	Screw, PHM 10-24X.375 (2 Used)
	00085482000	Headhousing with Bearing Assy. RR	29	01122064000	Screw, 10-24X1.00 (2 Used)
	00085481000	Headhousing with Bearing Assy. LR	30	01101688000	Screw, 8-32X.375 (2 Used)
2	00085604000	Cover, Head	31	01122040000	Screw, Set Steel 10-24X.56
3	00085606000	Cushion, Head Cover RH	32	01101255000	Nut, Hex Stop
4	00085607000	Cushion, Head Cover LH	33	01187795000	5/16-18X3 Button Head Setscrew
5	00085605000	Switch, Membrane	34	01101731000	Screw, PHM 6-32X.625 (4 Used)
6	00086254EXO	PCB Assy, Toe	35	01101955000	Washer, Nylon #6 (4 Used)
7	00083615000	Grommet, Optics	36	00086159000	Level Vial - Black
8	00083088000	Optics Assy, LF & RF (Detail Pg.15)	37	00086561000	Tube Assy. Right Front Head
9	00083089000	Optics Assy, LR & RR (Detail Pg.15)		00086562000	Tube Assy. Left Front Head
10	01101965000	Screw, RHM 10-24X2.25 (3 Used)		00086600000	Boom Tube (with Nut Serts) Black Vial
11	00083140000	Cable Assy, LED Drive, Track Toe	38	00083821000	Projector Housing Left Front Head
10	00083258000	Clamp Screw/Knob Assy. (4 Used)	*	00083822000	Projector Housing Right Front Head
	00083083000	Shaft Locking Screw			Note: (Projector Detail on Page 19)
	00084323000	Knob, Locking	39	01116201000	Screw, Oval Hd 6-32X.625 (2 Used)
	01112968000	Shaft Screw (Brass) 10-32x7/16"	40	00086160000	Gasket, Black for Level Vial
13	00083661000	Plate, Backing	41	00064383000	Tie Wrap
14	00083327000	Support, Receptacle	42	00083284000	Counter Weight (4 Used)
15	01115607000	Screw, PHM 4-40X.75	43	01115840000	Screw, RHM 10-24X1.25
16	01101533000	Screw, PHM 8-32X.375	44	01101479000	Nut, Keps 10-24
17	00083140000	Cable, Rear LED array	45	00085666000	Decal Stripe, Head Cover
18	00085792SVC	Inclinometer Assy. (All)	*	00085642000	Head Bushing (4 Used)
19	00084346000	Plate, Inclinometer Mount	*	01101967000	Ring Retaining (4 Used)
20	00080267000	Grommet, Adjustment (3 each 84346)	* NOT SHOWN		
21	01101689000	Screw, PHM 6-32X.25	NOTE: BOLD face indicates an assembly		
22	00085548000	Bracket, Toe PCB (2 Used)			
23	00083834000	Plug, 1" Plastic (2 Used)			
24	01100255000	Washer, 5/16 std.			
25	00083113000	Cable Assy., (Receptacle to PCB)			
26	00083237000	Gasket Seal, Cable Assy.			

Optical heads

Complete Head Assemblies

- | | |
|----------|------------|
| 86344SVC | RF Head |
| 86345SVC | LF Head |
| 86346SVC | RR Head |
| 86347SVC | LR head |
| 86540SVC | LR8-Sensor |
| 86539SVC | RR8-Sensor |



Optic Modules and Cable Assembly

Cross Toe

Ref	Part	
No.	No.	Description
1	00083822000	Lens Housing Projector RH
	00083821000	Lens Housing Projector LH
2	00083121000	Projector Housing Cover RH
	00083117000	Projector Housing Cover LH
3	01101825000	Screw, 8-18x3/4" CSK (2 used)
4	01101835000	Screw, 1/4-20x1/2" Black Oxide (3 used)
5	00063031000	Lens, Plano, Collumating
6	00084975000	Retainer, Collumating Lens
7	00082134000	Lens Projection (Cross & Rear Heads Track)
8	00063019000	Lens, Receiver
9	00083157000	PCB Assy., Receiver
10	00083154000	PCB Assy., LED Array
11	00083141000	Cable Assy, LED Array
12	01101789000	Screw, LED Array Holding 8X1/2"
13	00083816000	Clip, Lens Retaining (4 used)
14	00083131000	Gasket
15	01122049000	Screw, Lens Retaining (6 Used)
*	01101760000	Hex Nut #6-32
*	00083824000	Right Front Housing Assy.
*	00083823000	Left Front Housing Assy.

Cross Toe Optic Module Assemblies:

00083823000 - Left Front and Right Rear Eight-Sensor
 00083824000 - Right Front and Left Rear Eight-Sensor

Track Toe Optic Module Assemblies:

00083089000 - LR, RR
 00088210000 - LF, RF

Track Toe

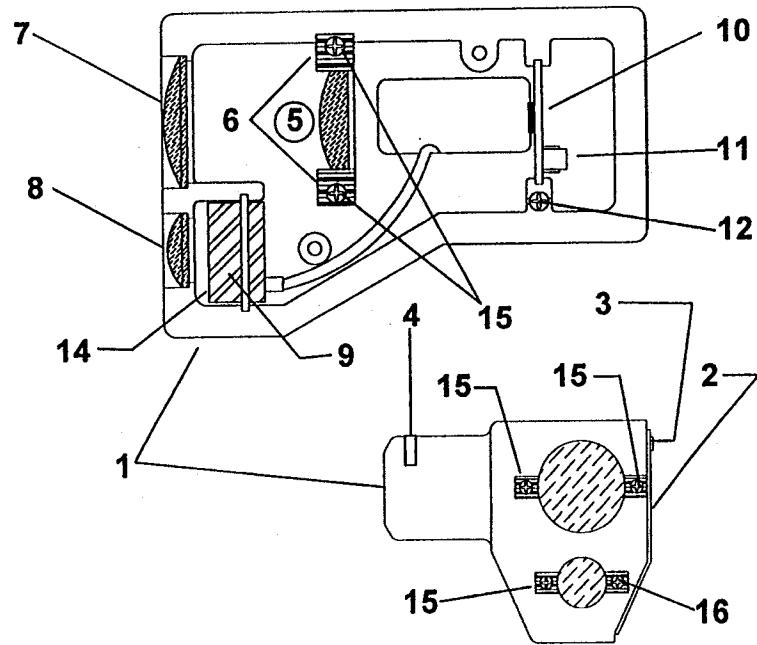
Ref	Part	
No.	No.	Description
1	00083820000	Optics Module Housing
2	00063031000	Lens, Plano, Cylindrical
3	00082159000	Lens, Prism (Tri Lens)
4	00083130000	Lens Retainer Track Toe (rear heads only)
5	00082134000	Lens Projection (cross & rear heads track)
6	00063019000	Lens, Receiver
7	00083153000	PCB Assy., Receiver
8	00083154000	PCB Assy., LED Array
9	01101789000	Screw, LED Array Holding 8x1/2"
10	00083131000	Gasket, for optic module
11	00083818000	Clip, Lens used to retain all Prism type lens (Also used to retain receiver lens front & rear)
	00083817000	Clip, Lens used to retain rear Projection lens
12	01115710000	Screw, Receiver Lens Retaining #6-32 (2 Used)
13	01101760000	Hex nut #6-32 (Receiver Lens Retainer)
*	01122049000	Screw, Projector Retaining (3 Used)
*	00083615000	Grommet, 3 Used

00085617000	Head Interconnect Cable Assembly (33 ft.)
00085616000	Head Interconnect Cable Assembly (65ft.)
00086110000	Head Interconnect Cable Assembly (Wired Rack)
00085660000	Head Interconnect Cable Kit (2 X 65 ft.)
00069804000	Wired Rack to Head (Curly Cable)
00086278000	Wired Rack to Head (Straight Cable)

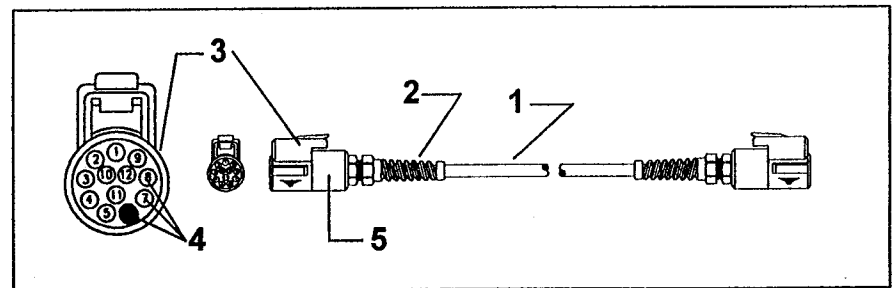
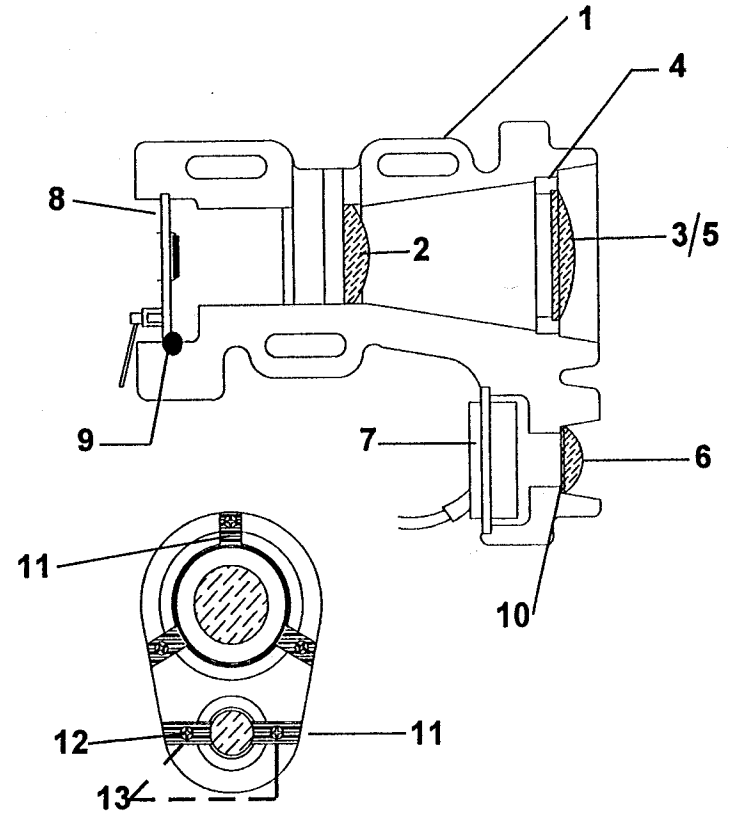
Ref	Part	
No.	No.	Description
1	00085676000	Cable 4 Conductor (33.3')
2	00081121000	Flex fitting (Less nut) - strain relief
3	00083194000	Connector Plug, 12 pin
4	00070877000	Contact Socket (8 used), Burndy
5	00083319000	Sleeve (2 Used)

Optic Modules and Cable Assembly

Cross Toe



Track Toe



Wheel Clamp 85632 (85631 - Pair)

<u>Ref No.</u>	<u>QTY.</u>	<u>Part No.</u>	<u>Description</u>
1	2	00085646000	Rod, Wheel Clamp
2	1	00083097000	Screw Assembly, Clamp Knob
3	1	00085649000	Shaft - Stub, Wheel Clamp
4	2	00085634000	Extension Rod
5	4	00057666000	Spring Plate, Lock
6	1	01110771000	Screw, Set, 1/4-20 X 1/2 HS CON
7	1	00085643000	Bracket Assembly, Lower
	1	00085648000	Bracket Casting, Clamp, Lower
8	2	00083067000	Bar, Tightening
9	1	00085644000	Bracket Assembly, Locking
	1	00085650000	Bracket Casting, Clamp, Upper
10	1	00083068000	Cover
11	3	00085630000	Boot Grabber
12	4	01115690000	Screw - RHMS, #6-32 X 3/8 PHL ZN
13	2	00063780000	Pin, Friction
14	3	00085633000	Grip, Wedge/Casting CHNG11/2/92
	3	01122068000	O-Ring - .625OD X .437ID X .093W
*		00085688000	Wedge Grip with O-Ring
15	2	00058815000	Spring, Friction Hub
16	1	01110818000	Screw - SHCS, 5/16-18 X 3/4
17	2	01110677000	Screw - RHMS, #10-32 X 1/4 SLT Z
18	1	00085647000	Storage Grabber
	1	00085652000	Plate - Backing, Grabber Retainer
19	4	01122074000	Grommet -1.125 OD X .625 ID
20	2	01122064000	Screw - PHMS, #10-24 X 1 PHL BLK
21	1	00081241000	Decal, Logo - JBC, 1 X 3.5, silver
22	2	01101479000	Nut - KEPS, #10-24 UNC-2B CD/ZN
23	2	01103441000	Screw - Set, 1/4-20 X 3/8 HS CUP
24	2	00086409000	Screw, Thumb Knob
25	1	00085645000	Bracket Assembly - Sliding
	1	00083069000	Sliding Bracket Casting, Machined

Kits

86783 - Rod Extension Kit

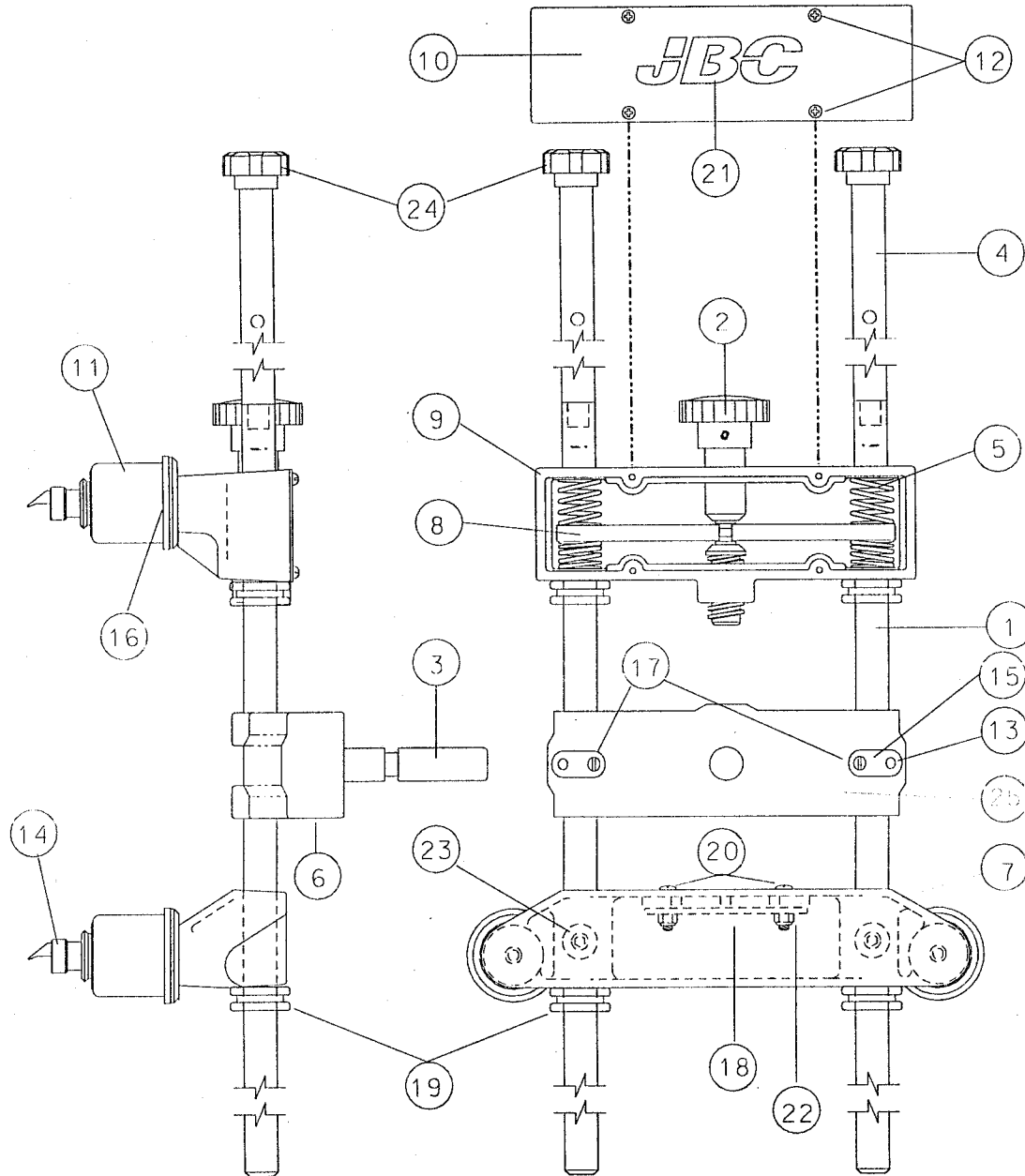
8	00086474000 - Rod extension 1.75" rod
12	00086566000 - Long Wedge Grips
12	01122068000 - "O" Rings

00086577000 - Long Wedge Grip with "O" Ring (Qty 1)

85804 - Spacer, Grabber

12	00085083000 - Spacers
12	01110235600 - Screw 5/16 - 18x21/4
12	01122145000 - Screw 1/4 - 20x21/2

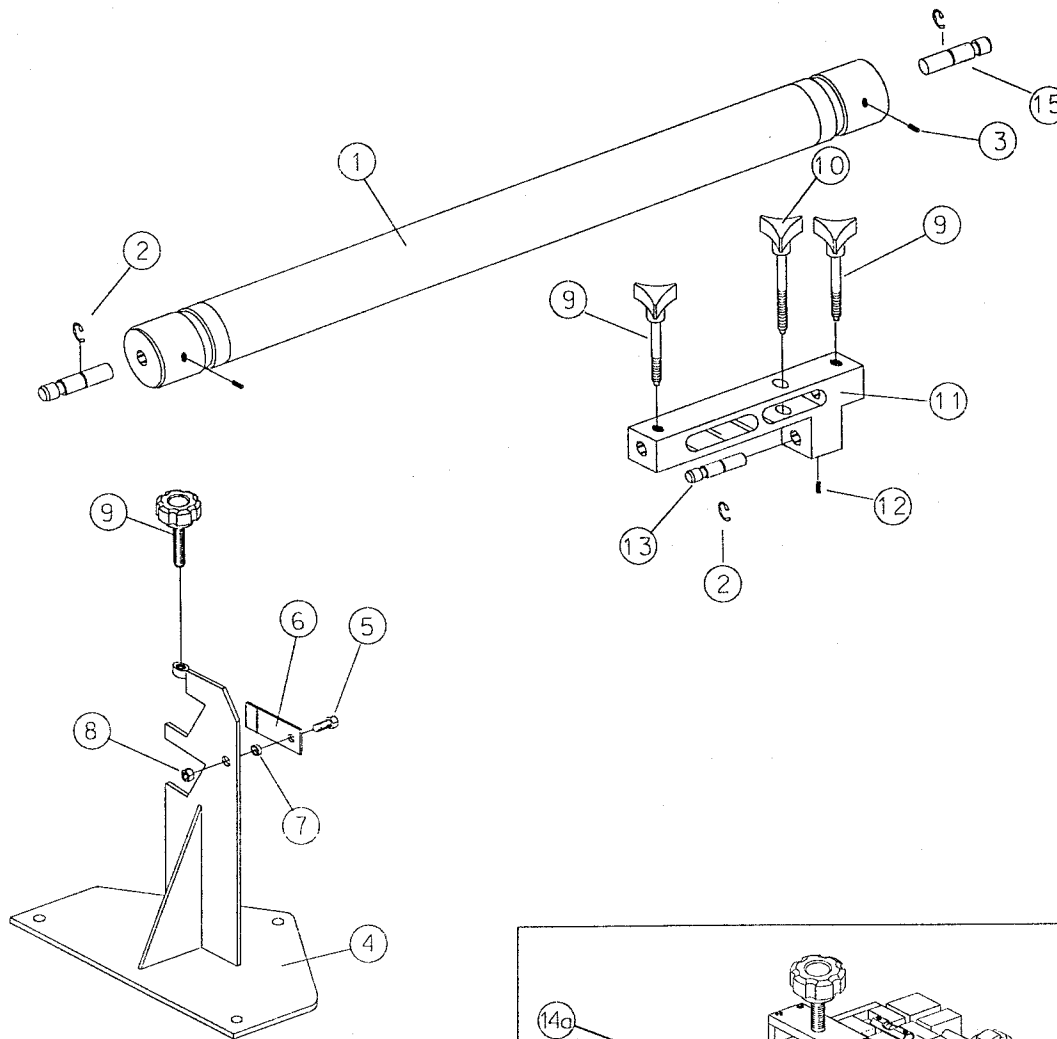
Wheel Clamps



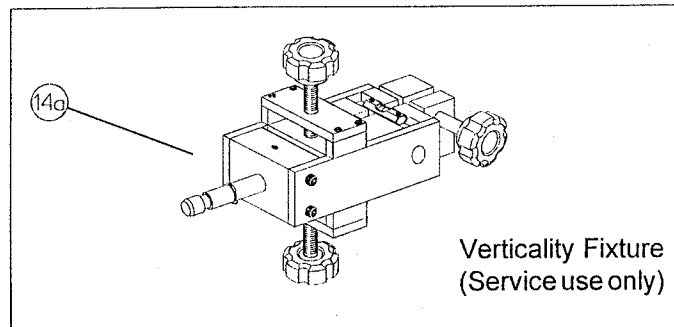
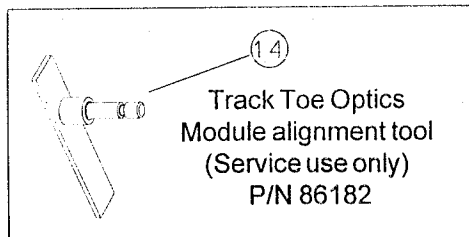
Calibration Kits

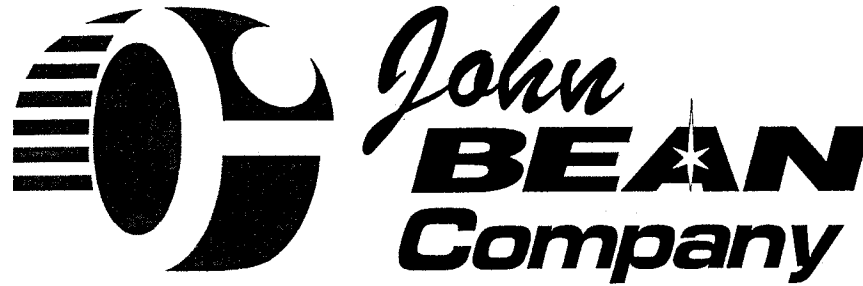
Customer Calibration Option (Kit Number 84196, includes items 1-12)

Item	Part	
<u>No.</u>	<u>No.</u>	<u>Description</u>
1	00084199000	Bar Assembly (includes: 3, and 15 two each)
*	00063696000	Bare Bar
2	01101729000	Snap Ring
3	01100108000	Knurled Cup 3/8-16x1/2" (Shaft retaining Set Screws)
4	00084102000	Calibration stand (Single Stand bare)
4a	00084198000	Calibration stand assembly (2 Stands with hardware no. 5-8)
5	01101620000	Shoulder screw 3/8"
6	00063388000	Pointer, calibration fixture
7	00059778000	Spacer
8	01182563000	5/16-18 Hex Nut
9	00083258000	Screw, locking knob assy - short
10	00083259000	Screw, locking knob assy - long.
11	00083785000	Track toe calibration inversion fixture assembly includes: no. 2, and 9, 10, 12 and 13
12	01110770000	Screw, cone pt 1/4-20x3/8"
13	00084630000	Calibration stub shaft for inversion fixture
14	00086182000	Optics Module alignment fixture (Service only)
14a	00088382000	Verticality Fixture Kit with Short Visualiner Type Stub Shaft (Service only)
	00064295000	Verticality Fixture Kit with Long multi-use Stub Shaft, used with 5000/9000/9909/V Series (Service only)
15	00084267000	Stub shaft
*	NOT SHOWN	



Calibration Kit 84196





USA

John Bean Company
309 Exchange Avenue
Conway, Arkansas 72032
Tel.: (800) 362-8326 or (501) 450-1500
Fax: (501) 450-1585

GERMANY

John Bean Auto Service Gerate
Division to Sun Electric Deutschland GmbH
Gewerbepark Sinn
D-35764 Sinn Herborner Str. 7-9
Tel: (49) 2772-9404-0
Fax: (49) 2772-94042-23

CANADA

John Bean Company
6500 Millcreek Drive
Mississauga, Ontario
Canada L5N 2W6
Tel: (905) 814-0114
Fax: (905) 814-0110

IRELAND

Formguide Services Ltd.
T/a John Bean Company
Sitecast Industrial Estate
Little Island, Cork
Tel: (353) 21-354477
Fax: (353) 21-354488

FRANCE

John Bean Company
Z.I. Du Haut Galy - Galy 8
93623 Aulnay S/S Bois
Tel: (33) 1-4865-3828
Fax: (33) 1-4865-7331

LATIN AMERICA

Rua Apinages
1268 cj. 605B
Perdizes-Sao Paulo-S.P.
Cep: 05017-0000
Brazil
Tel: (55) 11-871-0713
Fax: (55) 11-871-0713

Notice: The information contained in this document is subject to change without notice. **John Bean Company** makes no warranty with regard to this material. **John Bean Company** shall not be liable for errors contained herein or for incidental consequential damages in connection with furnishings, performance, or use of this material.

This document contains proprietary information which is protected by copyright and patents. All rights are reserved. No part of this document may be photocopied, reproduced, or translated without prior written consent of **John Bean Company**.

John BEAN is a registered trademark of the John Bean Company and Snap-on Corporation.