

CCD Alignment Technology



EEWA511A-C / EEWA510A-C
EEWA127A-C / EEWA128A-C

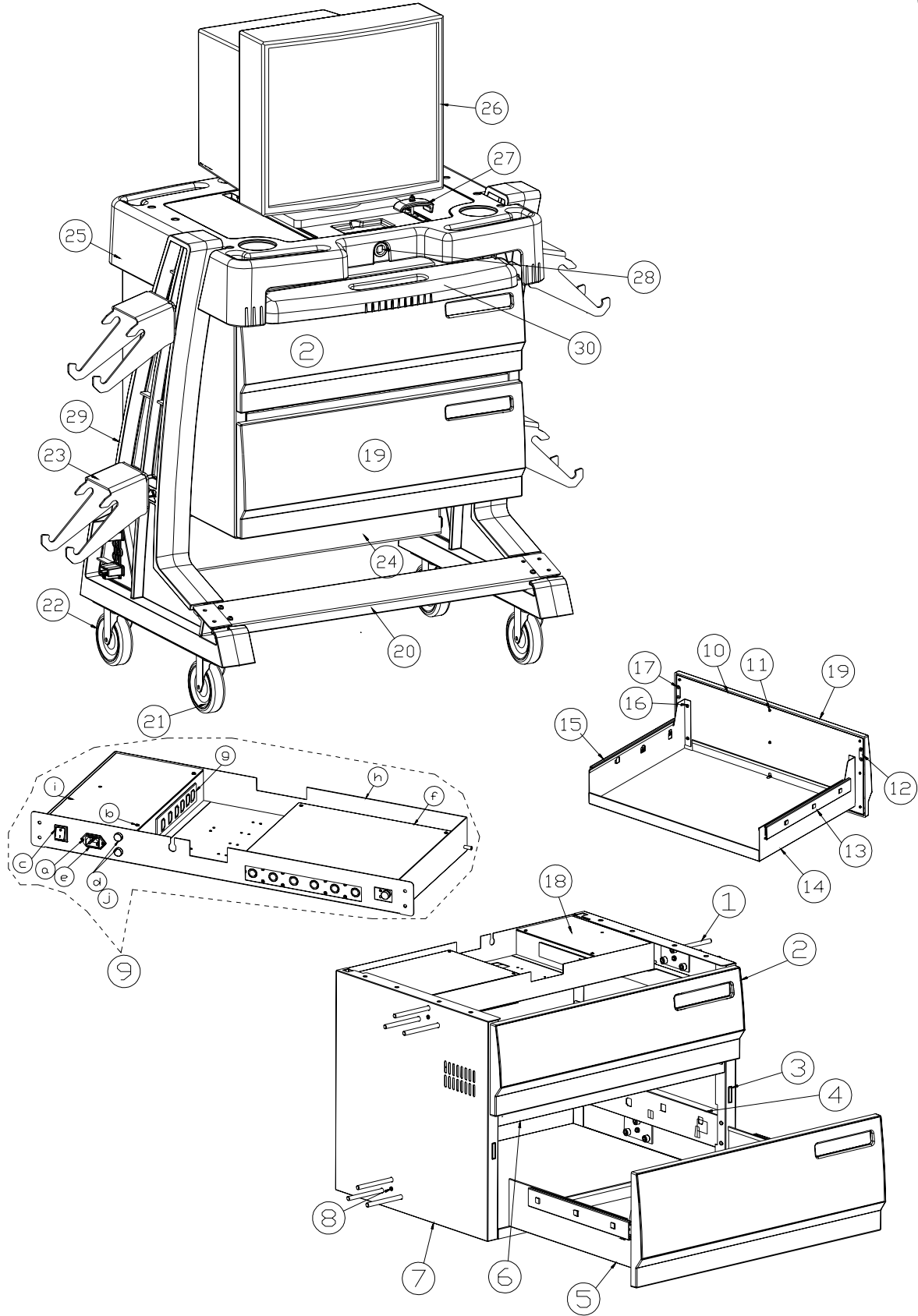
PARTS REFERENCE

All information contained or disclosed in this document is considered confidential and proprietary by Snap-on Tools Company. All manufacturing, use, reproduction, and sales rights are reserved by Snap-on Tools Company and the information contained herein shall not be used in whole or in part without the express written consent of Snap-on Tools Company.

Table of Contents

JBC 511 Cabinet Assembly	2
JBC 510 Cabinet Assembly	4
SUN 3500 Cabinet	6
SUN 2500 Cabinet	8
PC Assembly	10
Wheel Sensor	11
Battery Charger - Cordless	15
Rear 6 Sensor	16
USB HIB Box	18
Remote Readout	20
Wheel Clamp	22
Truck Wheel Clamp	24
Miscellaneous Parts	25
Optional Femas Accessories	26
Femas Clamp	26
Calibration Equipment	27
Dual Wheel Adapter	27
Main Sensor Power Cable	28
Tilt Cable	28
HIB to Wheel Sensor Cable	29
Electronic TT to Wheel Sensor	29
HIB Box To Junction Box Wired Lift	30
ETT / Remote To HIB	31
Rack Wiring Kit	32
Cable Assembly Wired Lift	33
Cable Assembly Junction Box	33
Junction Box Assembly	34
Additional Rack Wiring Kits	35
PARTS IN ALPHABETICAL ORDER	37
PARTS IN NUMERICAL ORDER	47

JBC 511 Cabinet Assembly

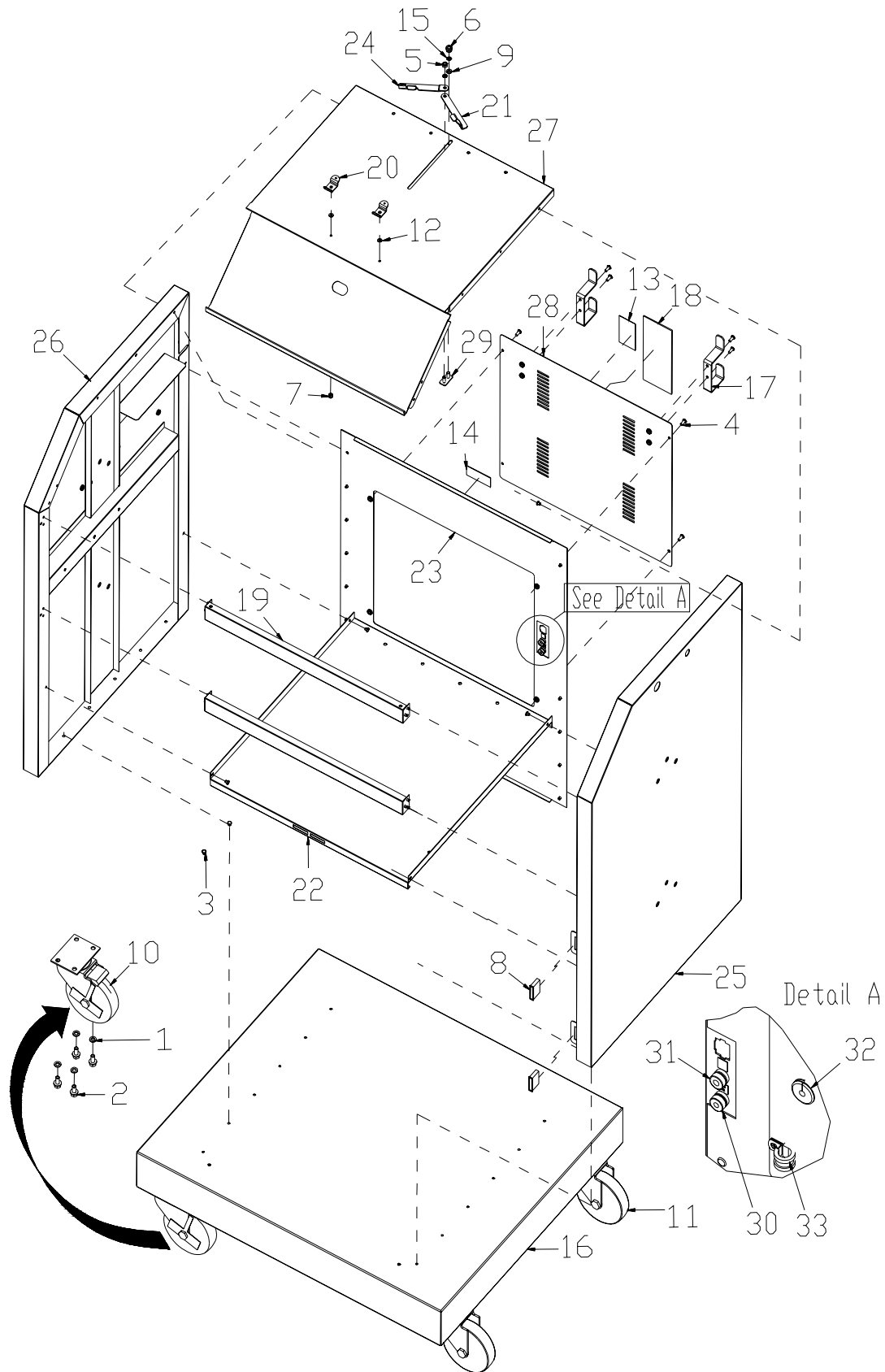


JBC 511 Cabinet Assembly

<u>Ref</u>	<u>Qty</u>	<u>Part Number</u>	<u>Description</u>
1	4	EAS2022J77A	Bolt Assy
2	1	EAA0287J88A	CPU Door Assy
*	1	8-23536A	Hinge Latching Left
*	1	8-23536B	Hinge Latching Right
3	4	8-03642A	Magnetic Catch
4	1	EAS2024P03A	Rail Drawer Right
	1	EAS2040P08A	Rail Drawer Left
5	1	EAA0287J90A	Printer Drawer Assy
6	1	EAS2040P19A	CPU Tray Assy
7	1	EAS2040P00A	Left Side Panel Assy
	1	EAS2040P01A	Right Side Panel Assy
8	12	1-16006	M5 X 12mm Screw
9	1	EAA0256J57A	USB HIB Shelf Assy
a	2	1-11103	Screw - M3 X 10mm, FHMS,Blk
b	2	1-29906A	Screw - Pan Hd, M4 X 12mm
c	1	2-12258A	Switch - Rocker On/Off Black
d	2	2-15651A	Holder - Fuse
e	1	2-37348A	Receptacle - Cord, Power
f	1	EAA0261P40A	USB HIB Final Assy
g	1	EAA0261P60A	Cable - IEC Power Block Assy
h	1	EAS2040P06A	Shelf Assy - USB HIB
i	1	EAS2040P22A	Cover Assy - Power Inlet
j	2	2-18451A	Fuse - 5A, Slo
10	1	EAS2022J19A	Printer Drawer Back
11	9	1-38909a	M4 X 12mm Socket HD Screw
12	2	EAS2018R78A	Striker Plate
13	1	8-2388AL	Drawer Slide Ball Bearing 17"
14	1	EAS2048J31A	Printer Drawer
15	1	8-2388AR	Drawer Slide Ball Bearing 17"
16	4	1-25806	M6 X 12mm Screw
17	4	1-15258	3.5mm Rivscrew
18	1	EAA0261P60A	IEC Power Block 7 way
*	3	00088635000	Power Cord - 3 Cond IEC - 301
19	1	EAC0055J40A	Front Printer Drawer
20	1	EAS2040P26A	Footrest Assy
	1	EAL0343J26A	Mat Footrest
21	2	8-23139A	Castor - 5" W/ Brake
22	2	8-23239A	Castor - 5" W/O Brake
23	4	EAS2040P10A	Head Bracket - Conventional
24	1	EAS2040P27A	Cross Bar Rear Assy
25	1	EAA0256J24A	Desktop Assy
26	1	3-00908	Monitor Multimedia, 19"
*	1	3-00908A01	Base for 19" Monitor
*	1	00088276000	Monitor Multimedia, 17"
27	2	EAM0007J35A	Clampdog - Monitor
28	1	EAA0256J28A	Receiver Assy remote
*	1	EAA0272J20A	Receiver only
*	1	EAL0343J22A	Window-remote
*	1	EAS2040P14A	Remote Bracket Assy
29	2	EAC0055J38A	Support Side Cabinet
*	2	EAS2040P20A	Hanger Braket (Cable)
*	1	EAS2040P24A	PC Back Cover Assy
*	2	EAS2022J25A	Caster Bracket Assy
30	1	EAC0055J47A	Keyboard Tray

JBC 510 Cabinet Assembly

EAS2024P99A

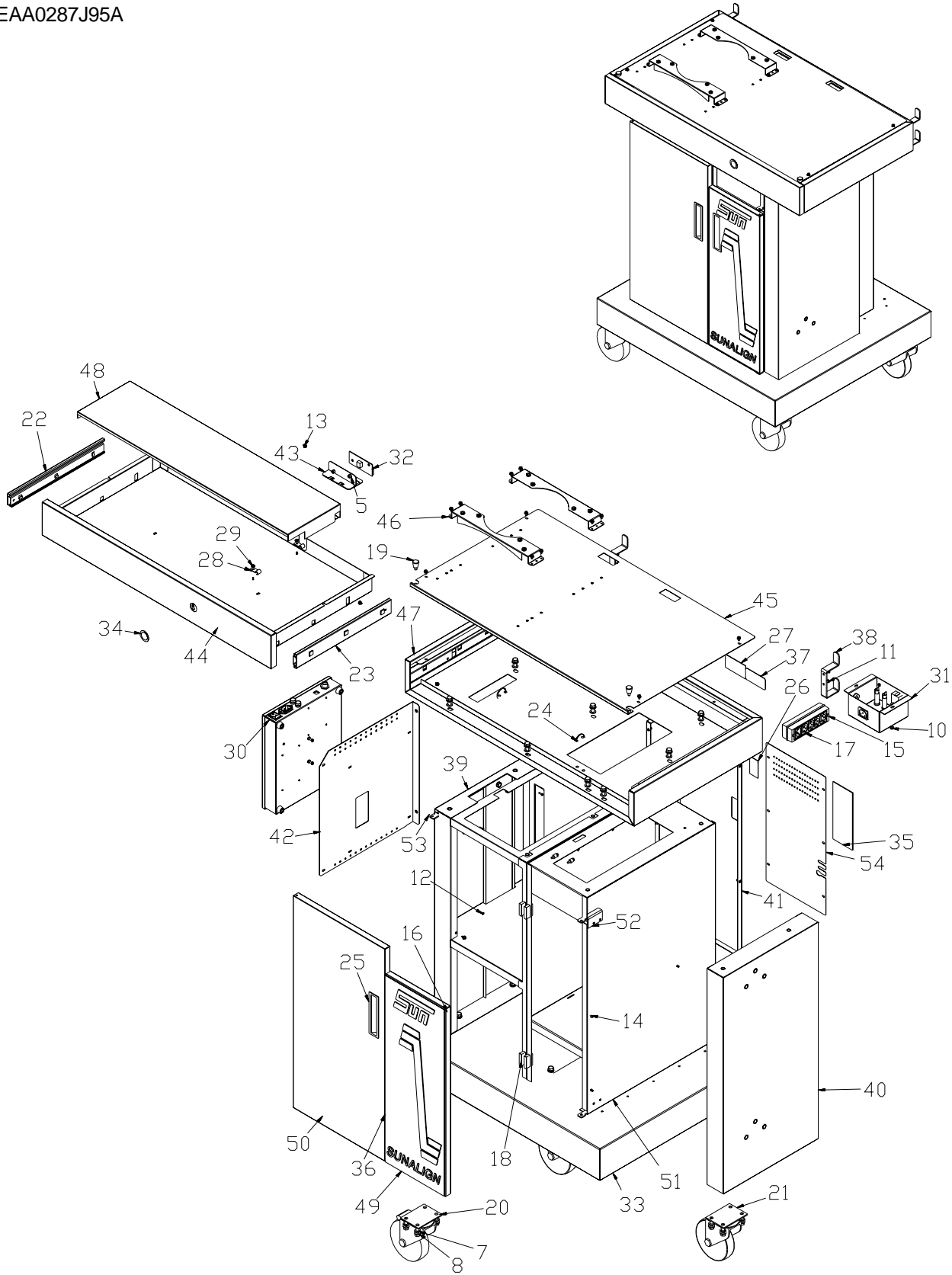


JBC 510 Cabinet Assembly

<u>Ref</u>	<u>Qty</u>	<u>Part Number</u>	<u>Description</u>
1	16	1-446	Washer - Lock, Split
2	16	1-13501A	Screw - HHCS, M8 X 20mm
3	54	1-15158A	Rivet - 4.8mm Blk
4	4	1-16006A	Screw - M5 X 12mm Pan HD, Blk
5	1	1-01637A	Nut - ESNA, M6 X 1mm
6	1	1-01736A	Nut - Thumb, M6 - 96115a460
7	2	1-01737A	Nut - ESNA, M4
8	2	8-03642A	Catch - Magnetic, Medium
10	2	8-23139A	Caster - Swivel 5" W/Brake
11	2	8-23239A	Caster - Swivel 5"
12	2	1-4044	Washer - Nylon, .38 OD
13	1	00111243000	Label - Warning, Explos.
14	1	00111245000	Label - Caution, Elect
15	2	1-4647	Washer - M5, Int Tooth
16	1	EAA0287J96A	Base Wldmt - SUN/JBC Aligner
17	2	EAS2040P20A	Hanger Bracket
18	1	EAL0343J53A	Label - Warn.patent
19	2	EAS2024P33A	Cross Bar Center Assy
20	2	EAS2048J41A	Bracket - Monitor, Front Asm.
21	1	EAS2048J42A	Bracket - Monitor, Rear RH
22	1	EAS2024P57A	Shelf Assy - PC
23	1	EAS2024P68A	Panel Assy - Back
24	1	EAS2048J44A	Bracket - Monitor, Rear LH
25	1	EAS2024P85A	Panel Assy - Side, RH
26	1	EAS2024P91A	Panel Assy - Side, LH
27	1	EAS2051P50A	Keyboard Shelf Assy
28	1	EAS2057P27A	Access Panel
29	1	EAS2048J47A	Plate - Monitor, Pivot Asm
	4	EAS2040P10A	Bracket-clamp & Head-conventnl
	12	1-13541	Washer - 10mm X 10.5mm
	9	1-16006A	Screw - M5 X 12mm Pan Hd, Blk
	12	1-16233A	Nut - M10 Black
	15	1-38909A	Screw - BHCS, M4 X 12mm
	12	8-02340A	Clip - Key Hole, Nylon - Black
	2	8-04288A	Drawer Slide 14"
	1	8-08733A	Handle - Flush, #P1 - 31
	7	00061746000	Washer - Tray, Weight
	1	00086164000	Label - Fuse
	1	00086465000	Label - Warning, Shock
	1	EAA0261P55A	USB HIB Shelf Wiring Assy
	1	EAA0287J99A	Cabinet - Aigner, JBC V501 Core
	1	EAL0343J19A	Decal - JBC, Cabinet
	1	EAL0343J76A	Label - Electrical/Serial
	1	EAS2024P53A	Tray - Mouse Mat
	1	EAS2024P56A	Drawer Assy
	4	EAS2024P70A	Bolt Brkt Assy
	1	8-08633A	Handle - Door, #B4 - 50 - 403 - 12
	1	EAL0343J41A	Decal - Visualiner
	1	EAS2024P79A	Door Assy
	2	1-25306A	Screw - Pan Hd M5 - .8mm X 20mm
	2	1-5665	Bushing - Nylon, 5m X 10mm

SUN 3500 Cabinet

EAA0287J95A

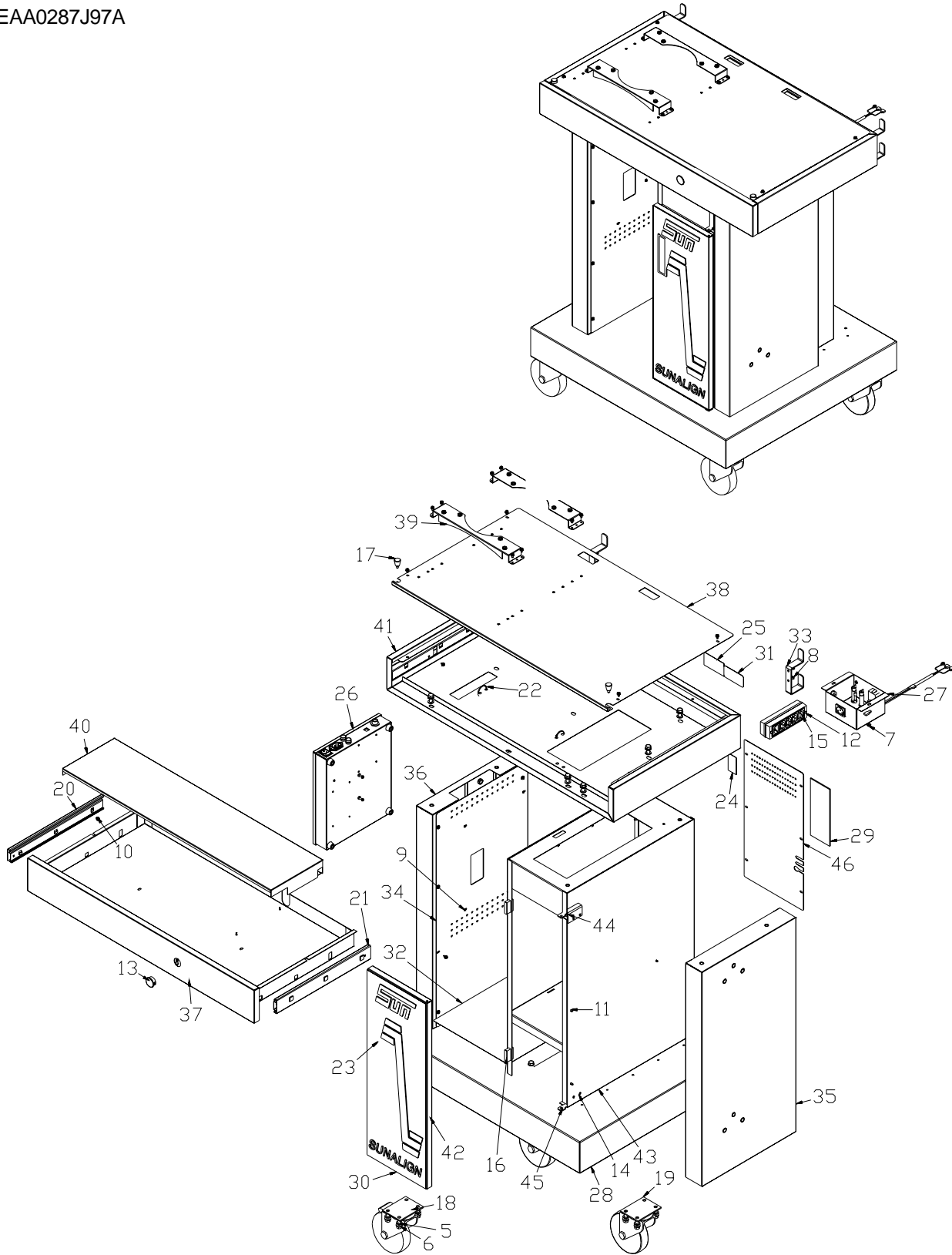


SUN 3500 Cabinet

<u>Ref</u>	<u>Qty</u>	<u>Part Number</u>	<u>Description</u>
3	3	00088635000	Power Cord - 3 Cond IEC - 301
4	4	01122618000	Support - Corner Banding#1967t23
5	2	1-01737A	Nut - ESNA, M4
6	2	1-11762A	Spacer - Nylon 13sp109
7	16	1-446	Washer - Lock, Split
8	34	1-13501A	Screw - HHCS, M8 X 20mm
9	2	1-15606A	Screw - M4 X 20mm PHMS, Blk
10	10	1-14333A	Nut - Carp, M4(plain Dished Wshr)
11	12	1-15406A	Screw - Pan Hd, M4 12mm - Zn
12	4	1-18206	Screw - M3 X 12mm Pan Hd, Blk
13	6	1-19906A	Screw - Pan Hd, M4 X 6mm, Zn
14	25	1-20006A	Screw - M4 X 8mm - Pan Head, Zn
15	2	1-23006	Screw - Pan Hd Ms M3 - .5 X 6
16	8	1-5547	Washer - Lock, Ext M4
17	1	2-00539A	IEC Quad Box
18	4	8-03642A	Catch - Magnetic, Medium
19	2	8-03742A	Plunger, Spring Loaded
20	2	8-23139A	Caster - Swivel 5" W/Brake
21	2	8-23239A	Caster - Swivel 5"
22	1	8-2488AL	Slide - Drawer, LH
23	1	8-2488AR	Slide - Drawer, RH
24	2	00064383000	**Tie - Cable, 4" Plt 1m - Dtpt
25	2	00083683000	Pocket - Drawer Pull, P2 - 52
26	1	00086164000	Label - Fuse
27	1	00111243000	Label - Warning, Explos.
28	2	01101641000	Clamp - Cable, 5/16 Wobs/02j0517
29	2	01101760000	Nut - Keps, #6 - 32 Unc - 2b Cd/Zn
30	1	EAA0261P40A	USB Hb Final Assy (See L, 170)
31	1	EAA0261P93A	Electrical Assy - SUN
32	1	EAA0272J20A	Receiver Assy - Remote
33	1	EAA0287J96A	Base Wldmt - SUN/JBC Aligner
34	1	EAL0343J22A	Window - Remote
35	1	EAL0343J53A	Label - Warn.patent
36	1	EAL0343J74A	Label - SUN Aligner
37	1	EAL0343J76A	Label - Electrical/Serial
38	2	EAS2040P20A	Hanger Bracket
39	1	EAS2040P38A	Cabinet Wldmt - Aligner
40	1	EAS2040P42A	RHs Panel - Aligner
41	1	EAS2040P44A	Back Panel Assy - Aligner
42	1	EAS2040P45A	Cover Assy - Interconnect Box
43	1	EAS2040P49A	Bracket Wldmt - Aligner Remote
44	1	EAS2040P81A	Drawer Weld Large Assy
45	1	EAS2040P86A	Monitor Printer Platform Sptwl
46	2	EAS2040P88A	Monitor Support Sub Assy Lg
47	1	EAS2048J39A	Upper Section Console
48	1	EAS2040P93A	Keyboard Mouse Support
49	1	EAS2048J54A	Door - Cabinet PC
50	1	EAS2048J55A	Door - SUN Aligner
51	1	EAS2051P14A	Cabinet PC
52	2	EAS2051P15A	Hinge Door Lft Bottom/RHt Top
53	2	EAS2051P19A	Hinge Door Lft Top/RHt Bottom
54	1	EAS2051P22A	Panel Rear PC
55	18	1-2541	Washer - Flat, 5/16

SUN 2500 Cabinet

EAA0287J97A

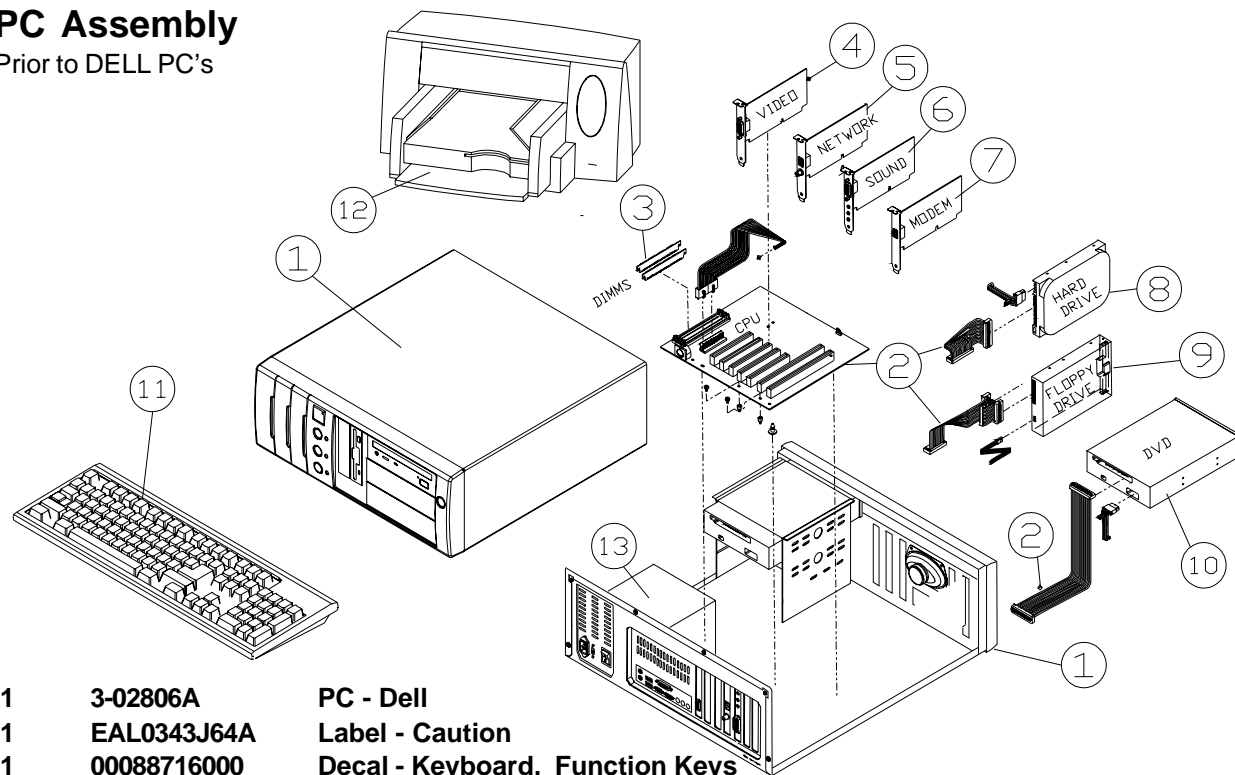


SUN 2500 Cabinet

<u>Ref</u>	<u>Qty</u>	<u>Part Number</u>	<u>Description</u>
3	3	00088635000	Power Cord - 3 Cond IEC - 301
4	4	01122618000	Support - Corner Banding#1967t23
5	16	1-446	Washer - Lock, Split
6	30	1-13501A	Screw - HHCS, M8 X 20mm
7	6	1-14333A	Nut - Carp, M4(plain Dished Wshr)
8	12	1-15406A	Screw - Pan Hd, M4 12mm - Zn
9	4	1-18206	Screw - M3 X 12mm Pan Hd, Blk
10	6	1-19906A	Screw - Pan Hd, M4 X 6mm, Zn
11	26	1-20006A	Screw - M4 X 8mm - Pan Head, Zn
12	2	1-23006	Screw - Pan Hd Ms M3 - .5 X 6
13	1	1-2876	Plug - Dome, Blk (Dp - 1000)
14	4	1-5547	Washer - Lock, Ext M4
15	1	2-00539A	IEC Quad Box
16	2	8-03642A	Catch - Magnetic, Medium
17	2	8-03742A	Plunger, Spring Loaded
18	2	8-23139A	Caster - Swivel 5" W/Brake
19	2	8-23239A	Caster - Swivel 5"
20	1	8-2488AL	Slide - Drawer, LH
21	1	8-2488AR	Slide - Drawer, RH
22	2	00064383000	**Tie - Cable, 4" Plt 1m - Dtpt
23	1	00083683000	Pocket - Drawer Pull, P2 - 52
24	1	00086164000	Label - Fuse
25	1	00111243000	Label - Warning, Explos.
26	1	EAA0261P40A	USB Hb Final Assy (See L, 170)
27	1	EAA0261P93A	Electrical Assy - SUN
28	1	EAA0287J96A	Base Wldmt - SUN/JBC Aligner
29	1	EAL0343J53A	Label - Warn.patent
30	1	EAL0343J74A	Label - SUN Aligner
31	1	EAL0343J76A	Label - Electrical/Serial
32	1	EAL0345P41A	Label - Blanking Base
33	2	EAS2040P20A	Hanger Bracket
34	1	EAS2040P41A	Interconnect Box Cover Panel
35	1	EAS2040P42A	RHs Panel - Aligner
36	1	EAS2040P52A	HIB Mtg Panel - SUN Aligner
37	1	EAS2040P81A	Drawer Weld Large Assy
38	1	EAS2040P86A	Monitor Printer Platform Sptwl
39	2	EAS2040P88A	Monitor Support Sub Assy Lg
40	1	EAS2040P93A	Keyboard Mouse Support
41	1	EAS2048J39A	Upper Section Console
42	1	EAS2048J54A	Door - Cabinet PC
43	1	EAS2051P14A	Cabinet PC
44	1	EAS2051P15A	Hinge Door Lft Bottom/RHt Top
45	1	EAS2051P19A	Hinge Door Lft Top/RHt Bottom
46	1	EAS2051P22A	Panel Rear PC
47	14	1-2541	Washer - Flat, 5/16

PC Assembly

Prior to DELL PC's

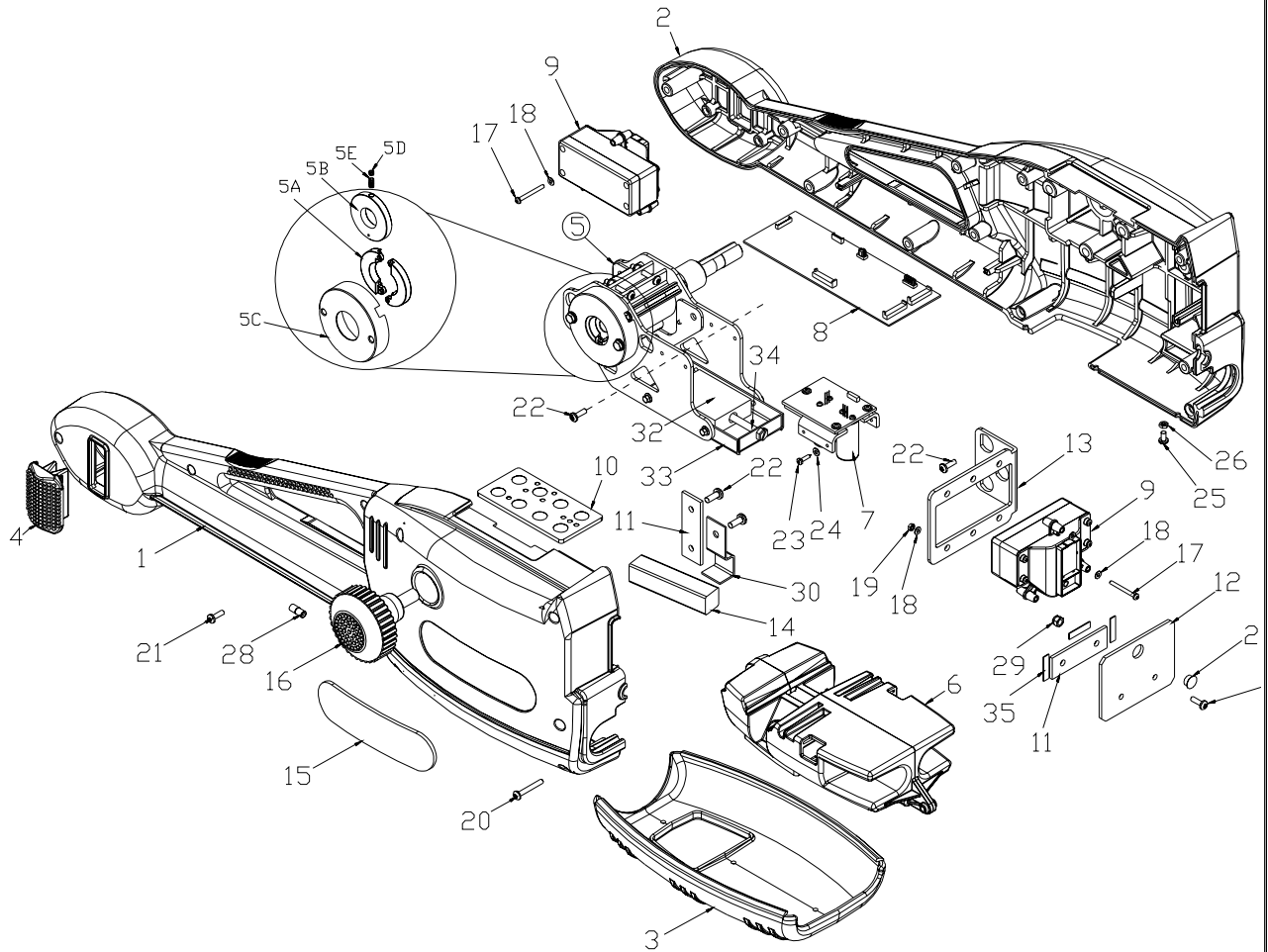


- 1 **3-02806A** **PC - Dell**
- 1 **EAL0343J64A** **Label - Caution**
- 1 **00088716000** **Decal - Keyboard, Function Keys**
- 1 **00089168000** **Printer - Color, Inkjet**
- 1 **00088910000** **Paper - Printer, Laser**
- 1 **00083055000** **Cable - Printer**
- 0.67 **5-10426A1** **Tape - Hook Velcro, #88**
- 0.67 **5-10426A2** **Tape - Loop Velcro, #1000**
- 1 **00089209000** **Cord - Power, Adapter, 12"**

<u>Ref</u>	<u>Qty</u>	<u>Part Number</u>	<u>Description</u>
1	1	EAA0287J79A	JBC PC ASSY-UATX DESKTOP (With DVD)
	1	EAA0287J80A	SUN PC ASSY-UATX Tower (With DVD)
	1	EAA0287J82A	JBC PC ASSY-UATX DESKTOP (With CD)
	1	EAA0287J83A	SUN PC ASSY-UATX Tower (With CD)
2	1	2-34066A	Motherboard - ATX, S370 - Built in Video & Sound
	1	3-62411A	Processor - AMD Duron
	1	2-30166	Motherboard - ATX, S370 Without Video & Sound
	1	3-107816A	Memory - Module - Dimm, 128m, PC133
3	2	3-85316	Memory Module-dimm,64m
4	1	00089487000	Video Card - AGP
5	1	00089291000	Network Card-combo 10 Mbps
6	1	00089693000	Sound Card - PCI
7	1	2-30066	Modem Internal Pci 56k
8	1	00089696000	Hard Drive-premium, 3 1/2 Ide
9	1	00086016000	Drive - Floppy, 1.44mb, 3.5"
10	1	00089715000	Drive Kit - DVD
	1	2-32666A	Drive Kit - CD (EEWA531A)
11	1	0008871700	Keyboard Kit
*	1	00086804000	Label - F Keys
12	1	00089173000	Printer Color
13	1	00089490000	ATX Power Supply
	1	2-04068A	Fan Kit - Celeron Motherboard

Wheel Sensor

Part Number	Description
EAK0222J35A	LF/RR Wheel Sensor JBC / SVO
EAK0222J36A	RF/LR Wheel Sensor JBC / SVO
EAK0222J44A	LF/RR Wheel Sensor, Sun / SVO
EAK0222J45A	RF/LR Wheel Sensor, Sun / SVO
EAK0222J56A	Head Kit - LH Cordless JBC / SVO (Old Design Ref. WA-1045-1)
EAK0222J57A	Head Kit - RH Cordless JBC / SVO (Old Design Ref. WA-1045-1)
EAK0256J75A	Head Kit - LH Cordless JBC / SVO (New Design Ref. WA-1045-1)
EAK0256J76A	Head Kit - RH Cordless JBC / SVO (New Design Ref. WA-1045-1)
EAK0256J87A	Head Kit - LH Cordless SUN / SVO (New Design)
EAK0256J55A	Head Kit - RH Cordless SUN / SVO (New Design)



Wheel Sensor

<u>Ref</u>	<u>Qty</u>	<u>Part Number</u>	<u>Description</u>
1	1	EAC0055J23A	Cover-head,LH JBC
	1	EAC0055J32A	Cover-head,LH SUN
2	1	EAC0055J24A	Cover-head,RH Nutserts Installed JBC
	1	EAC0055J33A	Cover-head,RH Nutserts Installed SUN
3	1	EAC0055J05A	Bumper - Main JBC
	1	EAC0055J35A	Bumper - Main SUN
*	3	8-02340A	Push button Snap (Clear)
4	1	EAC0055J29A	Bumper Front
5	1	EAS2022J12A	Ass'y-skeleton,Head,LH
	1	EAS2022J54A	Ass'y-skeleton,Head,RH
	2	1-2163	Bearing-1.375odx.6idx.436thk
*	1	EAM0007J27A	Spacer-extrusion,Skeleton(mach
*	1	EAC0055J15A	Shaft-stub,Head
5a	2	EAC0055J17A	Brake Shoe
*	1	6-00401A	Spring
*	1	EAM0023J63A	Spring Holder
*	2	EAS2022J00A	Plate-skeleton
*	1	EAS2022J02A	Bracket-counterweight
*	1	EAS2022J03A	Weight-counter
*	1	EAS2022J04A	Thread Rod-counterweight
*	1	EAS2022J05A	Plate-retain,Skeleton
5b	1	EAA0305J58A	Collar-shaft (With Sheer Proof Pin)
5c	1	EAM0023J41A	Brake Drum ABS Plastic
*	1	EAC0055J14A	Tube-spacer
5d	1	1-38610	Screw - Set, M4 X 0.7 X 4MM, Cup Point
5e	1	1-39010A	Screw - Set, M4 X 0.7 X 10MM, Cup Point
*	3	1-13677A	Retaining Ring-sh59
*	1	1-39010A	Screw-set,M4x.7x10mm,Cup Pt
*	1	1-17552A	Dowel Pin-m2x12mm,Alloy Stl,Zn
*	1	1-01637A	Nut-esna,M6 X 1mm,Zinc
*	6	1-03425A	Screw-m4x.7x8mm,Self Tap,Zinc
*	8	1-3225A	Screw-m5x.8x20mm,Slftp,Hx Hd,Z
*	1	1-38610	Screw-set,M4x.7mmx4mm,Cup Pt
*	2	1-01315A	Bolt-hhw,10-14,Semi Cup Pt
*	2	1-24906A	Screw-phms,M4x.7mmx30mm,Zinc
*	2	1-01737A	Nut-esna,M4,Zinc
*	8	1-4647	Washer-internal Tooth,M5
6	1	EAA0256J09A	Ass'y-corded Module,LH
	1	EAA0256J10A	Ass'y-corded Module,RH
*	1	EAC0055J26A	Module - RF/Con., RH
*	1	EAC0055J27A	Module - RF/Con., LH
*	1	EAS2022J46A	Plate - Con
*	2	1-16523	Screw - PHMS, M2.9 X 1 X 9.5MM, Self tap
*	3	1-24206A	Screw - PHMS, M3 X 0.5 X 16MM
*	1	EAL0343J17A	Label - Cover,
*	1	1-3776A	Plug - Dome, 2673
7	1	EAE0049J07A	Tilt Sensor-Assembly
	3	1-11241	Washer - Flat M3
	3	1-16623	Screw - PHMS, M2.9 X 1 X 13MM, Self Tap
	3	1-09162A	Spacer - .5MM OD X 3.2 MM ID X 5MM HT
	1	EAS2022J01A	Bracket - Tilt

Continued Next Page

Wheel Sensor

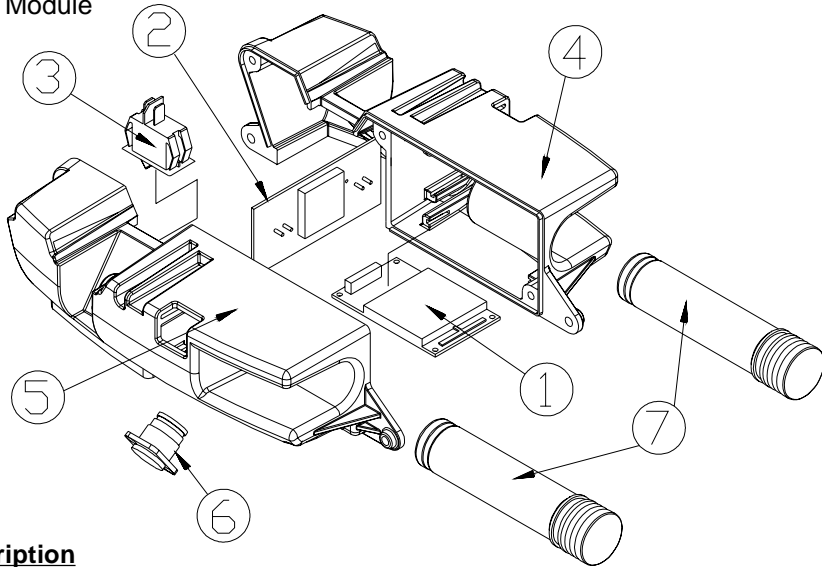
8	1	EAP0196G20A	PCB Ass'y-main,CCD Head
9	2	EAA0256J05A	Ass'y-CCD, Cross & Track
*	2	EAW0235J18A	CCD cable
Ref	Qty	Part Number	Description
10	1	EAE0049J00A	Keypad - CCD Sensor JBC
	1	EAE0049J13A	Keypad - CCD Sensor SUN
*	1	EAW0235J18A	Cable Ass'y-keypad
11	3	EAM0007J22A	Counterweight-fixed
12	1	EAS2022J47A	Door-fixed
13	1	EAS2022J08A	Bracket-CCD,Rear
14	2	EAM0007J07A	Weight - Secondary, JBC
	2	EAM0007J42A	Weight - Secondary, SUN
15	1	EAL0343J00A	Nameplate - Sensor, JBC
	1	EAL0343J16A	Nameplate - Sensor, SUN
16	1	EAC0055J31A	Knob Ass'y-brake
17	6	1-24706A	Screw-phms,M3 X .5mm X 30mm
18	9	1-9541	Washer-flat, M3 Din 125a
19	3	1-01537A	Nut-esna,M3 X 0.5
20	2	1-24906A	Screw-phms,M4x.7mmx30mm,Zinc
21	11	1-24606A	Screw-phms,M4 X .7mm X 12mm
22	7	1-20906	Screw-phms,M5 X .8mm X 12mm
23	4	1-21123A	Scew-phms,M2.9 X 1 X 13mm
24	4	1-3147	Washer-m3,Int Tooth
25	3	1-24806A	Screw-phms,M4 X .7mm X 8mm
26	3	1-4134A	Nut-hex,Jam,M4 X 0.7
27	1	1-03676A	Plug-dome,1681
28	1	1-16981A	Vial-level
29	2	1-01737A	Nut-esna,M4,Zinc
30	2	EAS2022J75A	Plate-retain,CW
31	0.25	5-09826A	Strip-cell Foam,1/16x1/4,Adhsv
32	1	EAS2022J03A	Counter weight
33	2	EAS2022J02A	Counterweight Bracket
34	1	EAS2022J04A	Threaded Rod Counterweight
*	1	1-01637A	Nut-esna,M6 X 1mm,Zinc
35	.25'	5-09826A	Strip - Seal 1/32 Thick
*	2	EAL0343J45A	Label - Head LH/RH

* Parts not shown in assembly

Shaded areas are parts not shown but make up assemblies of the bold items

Wheel Sensor Module - Cordless Verison II

<u>Part Number</u>	<u>Description</u>
EAA0305J72A	Assy - LF / RR Module
EAA0305J73A	Assy - RF / LR Module



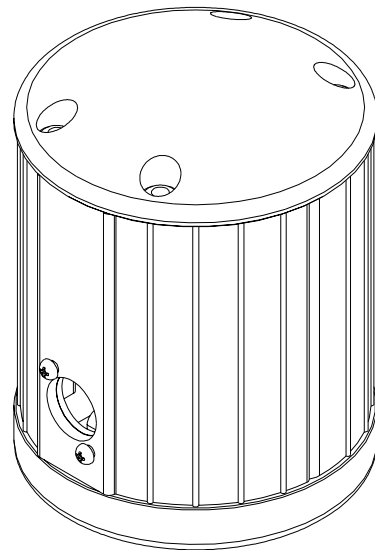
Dip Switch Settings item 2

- 1 - off 4 - on
- 2 - on 5 - on
- 3 - on 6 - off

<u>Ref</u>	<u>Qty</u>	<u>Part Number</u>	<u>Description</u>
1	1	3-01209A	Radio - 2.4GHZ Head AC1524C - 10A
2	1	EAP0238J34A	PCB - Battery Int Head
3	1	01122502000	Switch - Power SPDT
4	1	EAC0055J26A	Module - RF / Con., RH
5	1	EAC0055J27A	Module - LF / Con., LH
6	1	EAS2022J46A	Plate - Con
7	2	EAA0287J34A	Battery - Cordless, 3.6v
*	2	1-16523	Screw - PHMS,M2.9x1x9.5mm,Sif Tp
*	3	1-24206A	Screw - PHMS,M3 X .5mm X 16mm
*	1	1-3776A	Plug - Dome,2673
*	1	EAW0235J13A	Cable Assy Head, Main, Cordless
*	1	EAW0235J26A	Cable Assy - Head, Radio, Cordless
*	1	EAW0235J25A	Cable Assy Head, Interface
*	1	EAC0055J25A	Door - Access, Battery

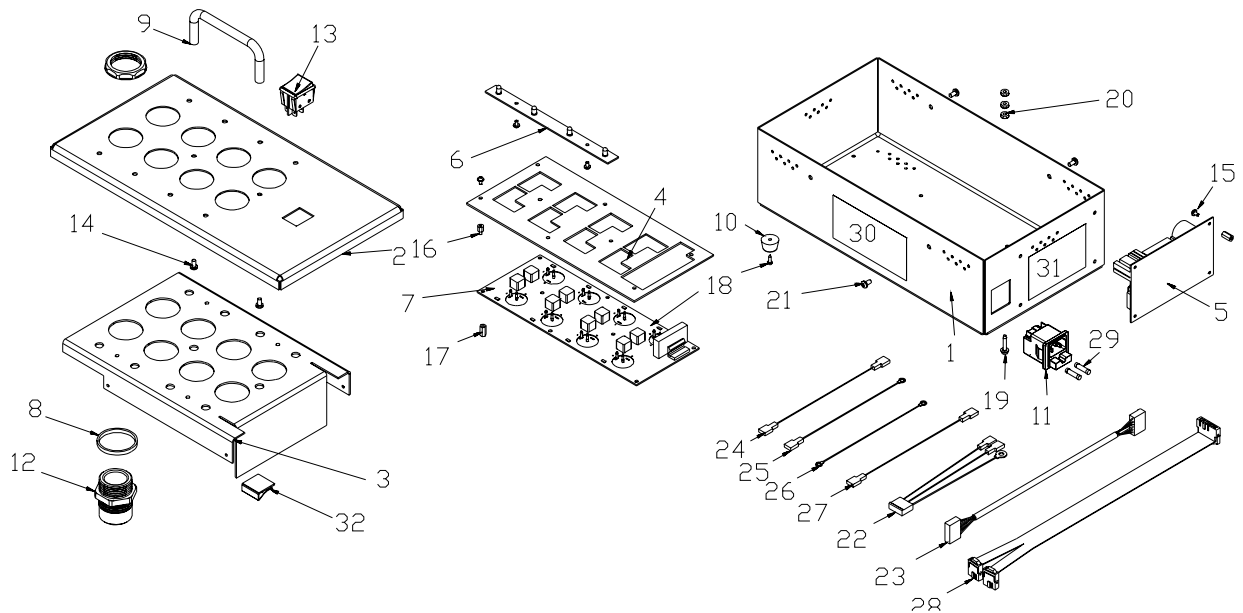
Cordless Receiver Pod Version II

<u>Part Number</u>	<u>Description</u>
EAA0305J70A	Pod Assy - Cordless



Battery Charger - Cordless

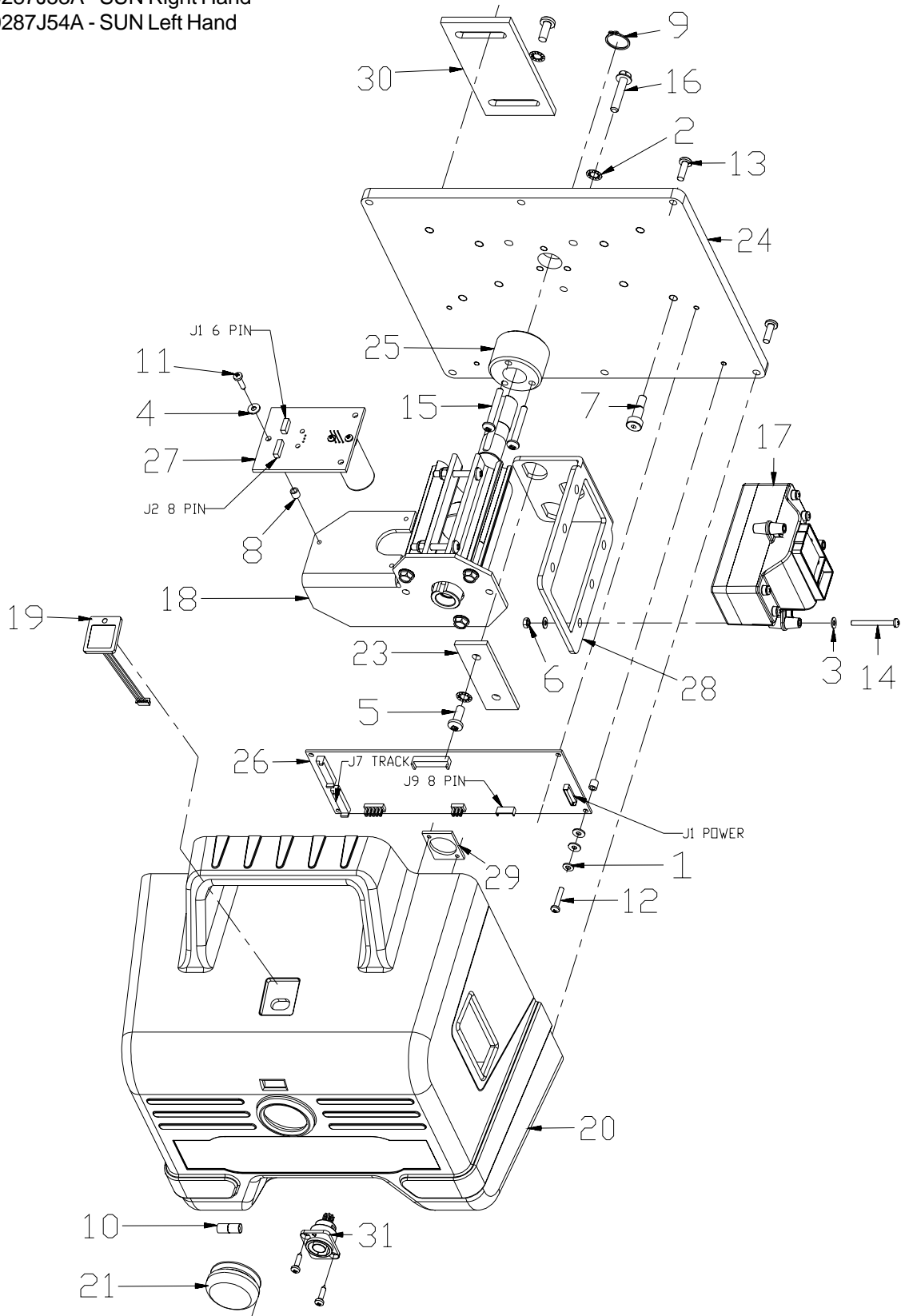
EAA0305J71A



Ref	Qty	Part Number	Description
1	1	EAS2048J10A	Battery Charger Box Bottom
2	1	EAS2048J09A	Battery Charger Box Top
3	1	EAS2048J11A	Battery Charger Box Support
4	1	EAS2048J12A	Battery Charger Box Stop
5	1	EAP0216P10A	Power Supply - 9v
6	2	EAP0196J44A	PCB - Led, Battery Charger
7	1	EAP0196G60B	PCB - Battery Charger
8	8	EAM0016J72A	Spacer Battery Charger
9	1	8-08833A	Handle
10	4	8-08018A	Mount - Rubber
11	1	2-35266A	Plug - IEC, Filter, Fused
12	8	2-19547A	Connector - Water Tight Heyco
13	1	2-12558A	Switch - Rocker DPST, Lit
14	2	1-24806A	Screw - PHMS,M4 X .7mm X 8mm
15	28	1-17906A	Screw - PHMS M3 X 6
17	12	1-12161A	Standoff - M3 X 12mm F/F
18	4	1-06724A	Screw - Self Tap M2.9 X 9.5mm
19	1	00083558000	Screw - Ground, #8-32 X 3/4 Grn
20	3	01181298000	Nut - Keps, #8-32 UNC - 2b Cd/Zn
21	4	01122289000	Screw, 8-18 X 1/2 Self Tap PNHD
22	1	EAW0243P20A	Cable - 3way Power
23	1	EAW0243P16A	Cable - 6way To 6way Power
24	1	EAW0243P23A	Cable - Link Wire, Blue
25	1	EAW0243P25A	Cable - Link Wire
26	1	EAW0243P26A	Link Wire Ground To Ground
27	1	EAW0243P22A	Cable - Link Wire, Brown
28	1	EAW0235J29A	LED Cable Assy, Battery Charger
29	2	2-19151A	Fuse -.5a, Slo, 5 X 20mm
30	1	EAL0343J51A	Label - Battery Charger, General
31	1	EAL0343J54A	Label - Battery Charger
32	1	2-3657	Cable Clamp (Flat Cable)
33	8	1-24706A	Screw - PHMS,M3 X .5mm X 30mm
34	16	1-10662A	Spacer - 3mm - Nylon Blk
35	8	1-01537A	Nut - ESNA, M3 X .5mm
36	8	1-12844A	Washer - Shoulder

Rear 6 Sensor

- EAA0287J42A - JBC Left Hand
- EAA0287J43A - JBC Right Hand
- EAA0287J53A - SUN Right Hand
- EAA0287J54A - SUN Left Hand

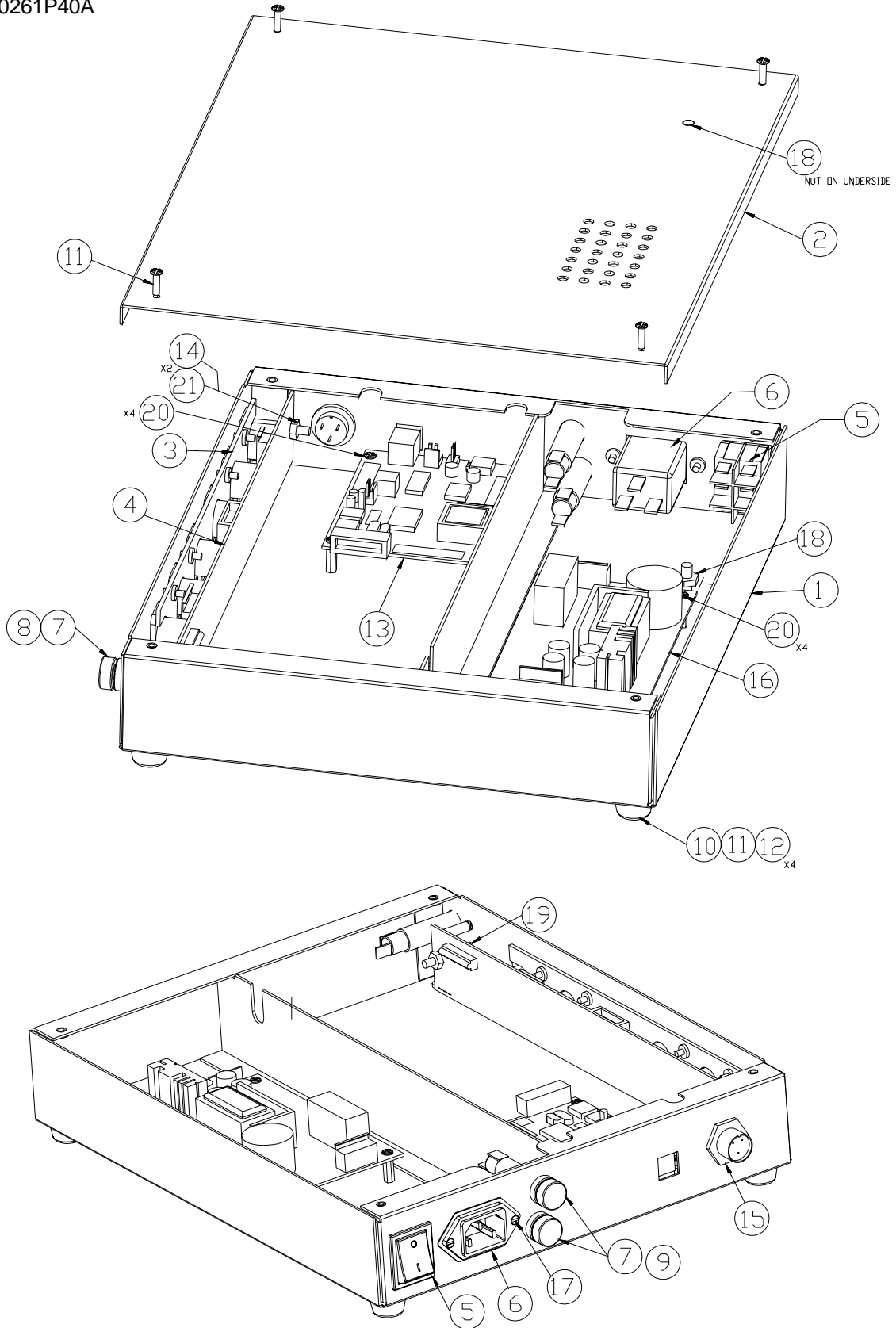


Rear 6 Sensor

<u>Ref</u>	<u>Qty</u>	<u>Part Number</u>	<u>Description</u>
1	4	1-3147	Washer - M3, Int Tooth
2	7	1-4647	Washer - Int Tooth, M5
3	6	1-9541	Washer - Flat, M3 Din 125a
4	11	1-11241	Washer - Flat, M3
5	6	1-20906	Screw - PHMS, M5 X .8mm X 12mm
6	3	1-01537A	Nut - ESNA, M3 X .5mm
7	2	1-02111A	Screw - Shoulder, M5 X 10mm
8	7	1-09162A	Spacer - 5mm OD X 3.2mm ID X 5mm
9	1	1-13677A	Ring - Retaining
10	1	1-16981A	Vial - Level
11	5	1-21123A	Screw - PHMS, M2.9 X 1 X 13mm
12	4	1-24206A	Screw - PHMS, M3 X X 0.5 X 16mm
13	6	1-24606A	Screw - PHMS, M4 X .7mm X 12mm
14	3	1-24706A	Screw - PHMS, M3 X .5mm X 30mm
15	3	1-24906A	Screw - PHMS, M4 X .7mm X 30mm
16	3	1-46201A	Screw - M5 X 0.8mm X 20mm, Self Tap
17	1	EAA0256J05A	Pod Ass'y - CCD, Head
18	1	EAA0287J45A	Skeleton Assy, RH, 6 Sensor
	1	EAA0287J47A	Skeleton Assy, LH, 6 Sensor
19	1	EAA0287J50A	Keypad Assy - 6 Sensor
20	1	EAC0055J79A	Cover - 6 Sen, RH, JBC
	1	EAC0055J80A	Cover - 6 Sen, LH, JBC
	1	EAC0055J83A	Cover-6 SUN, RH - gray
	1	EAC0055J84A	Cover-6 SUN, LH - gray
21	1	EAC0055J89A	Bumper - 6 Sensor
22	1	EAL0343J00A	Nameplate - JBC, CCD Sensor
	1	EAL0343J16A	Nameplate - SUN, Head
23	1	EAM0007J22A	Counterweight - Fixed
24	1	EAM0016J85A	Plate - Back, 6 Sensor
25	1	EAM0016J91A	Plug - Spacer, 6 Sensor
26	1	EAP0196G20A	PCB Ass'y - Head, Toe
27	1	EAP0196J54A	PCB Ass'y - Camber, Tilt
28	1	EAS2022J08A	Bracket - CCD, Rear Two
29	1	EAS2022J46A	Plate - Con
30	1	EAS2048J20A	Plate - Counter, 6 Sensor
31	1	EAW0235J25A	Cable Ass'y - Head, Main
32	1	EAW0235J03A	Cable Ass'y - Head, Tilt

USB HIB Box

EAA0261P40A



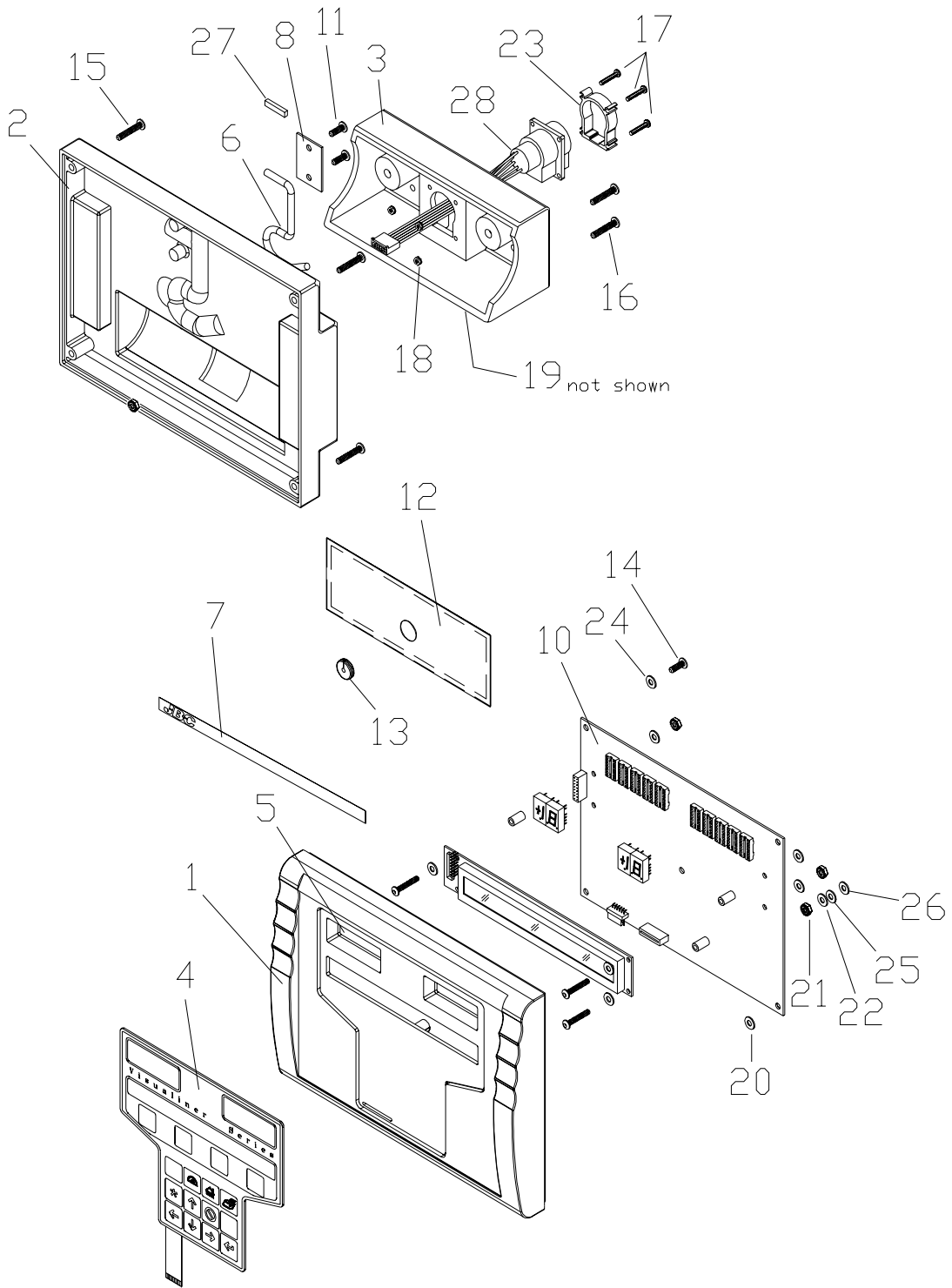
USB HIB Box

EAA0261P40A

<u>Ref</u>	<u>Qty</u>	<u>Part Number</u>	<u>Description</u>
1	1	EAS2024P64A	USB Base Assy'
2	1	EAS2024P66A	Cover Assy
3	1	EAS2024P63A	Connector Bracket Assy
4	1	EAP0216P00A	Interconnect PCB
5	1	2-12258A	Rocker Switch ON/OFF
6	1	2-40248A	IEC Inlet (Filter)
7	3	2-15651A	Fuse Holder
8	1	2-7051	Slow Blow Fuse 3A
9	2	2-7151	Slow Blow Fuse 8A
10	4	8-08018A	Rubber Feet
11	16	1-18206A	M3 x 12 Screw Pan Head
12	4	1-12941	M3 Washer
13	1	EAP0196J80A1	USB HIB PCB Assy
14	4	1-9733	Nut M4
15	1	EAW0243P10A	Remote Cable (Cable leading to HIB PCB)
16	1	2-37666A	Power Supply 10V 40W
17	2	1-11103	Screw Flat Head M3 x 10
18	2	1-9833	Nut M5
19	2	1-5962	Nylon Round Standoff 3/4"
20	8	1-19306A	M3 x 6mm screw
21	2	1-2648	M4 Star Washer
*	1	EAW0243P26A	Link Wire Ground to Ground
*	1	5-845	Tie Wrap
*	2	EAW0243P22A	Link Wire Brown
*	2	EAW0243P23A	Link Wire Blue
*	1	EAW0243P16A	Cable Assy, 6 way to 6 way Power Cable
*	1	EAW0243P20A	Cable Assy, 3 Way Power Cable
*	1	EAW0243P17A	Cable Assy, 16 way to 16 way IDC
*	1	EAW0243P25A	Cable - Link Wire
*	2	1-11341	Washer Plain M4
*	2	1-14106	M4 x 20 Pan Head Screw
	1	EAL0345P52A	Label - Fuse 3a
	2	EAL0345P53A	Label - Fuse 1a
	1	EAL0345P54A	Label - Electrical Warning

Remote Readout

EAK0222J77A



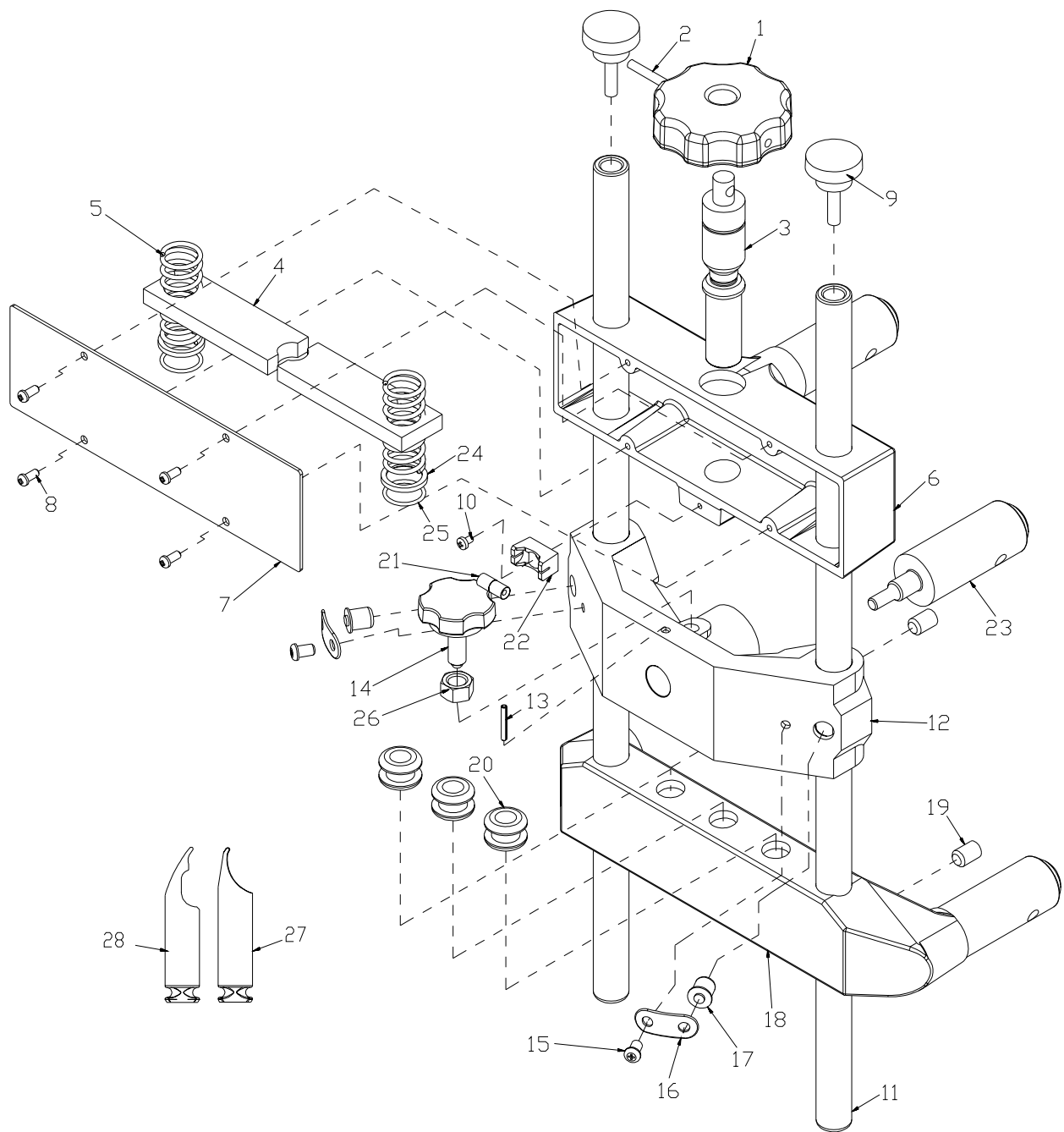
Remote Readout

EAA0287J61A

<u>Ref</u>	<u>Qty</u>	<u>Part Number</u>	<u>Description</u>
1	1	EAC0055J92A	Bezel Front Remote Black
2	1	EAC0055J91A	Panel - Rear Remote Black
3	1	EAC0055J90A	Pivot - Base, Black
4	1	EAA0287J60A	Switch - Membrane, Remote Pro32
5	2	00086179000	Window - LED, Remote
6	1	00086180000	Hook - Remote
7	1	00081226000	Decal-JBC,Remote Display
8	1	00086183000	Plate - Cover, Hook
9	2	01101740000	Screw - BHCS, #8 - 32 X 1/4 Hs
10	1	00086185000	PCB Ass'y - Remote
12	1	00086262000	Cover - Seal, Remote
13	1	01122121000	Grommet
14	5	01101554000	Screw - BHCS, #8 - 32 X 3/8 Hs
15	4	01122106000	Screw - BHCS, #8 - 32 X 1.0
16	2	01101777000	Screw - BHCS, 1/4 - 20 X 1 1/4 Hs
17	4	01115607000	Screw - RHMS, #4 - 40 X 3/4 Phl
18	4	01122109000	Nut - Keps, #4 - 40 Cd/Zn
19	4	8-03642A	Catch - Magnetic, Medium
20	5	01122122000	Washer - Nylon, .375od X .171id
21	2	01101609000	Nut - Stop, 1/4 - 20 Unc - 2b Cad
22	2	01122110000	Washer - Spring, .27 Id X .5
23	1	00083327000	**Support - Receptacle(alum/Extr
24	5	01122107000	Washer - Flat, Nylon
25	2	01122108000	Washer - Flat, Nylon
26	2	01107381000	Washer - Flat, 1/4 Obs02j0703a
27	0.04	00985268000	Seal - Strip, 1/16 X 1/4
28	1	00083113000	Cable Ass'y - Head

Wheel Clamp

EAA0256J35A



Wheel Clamp

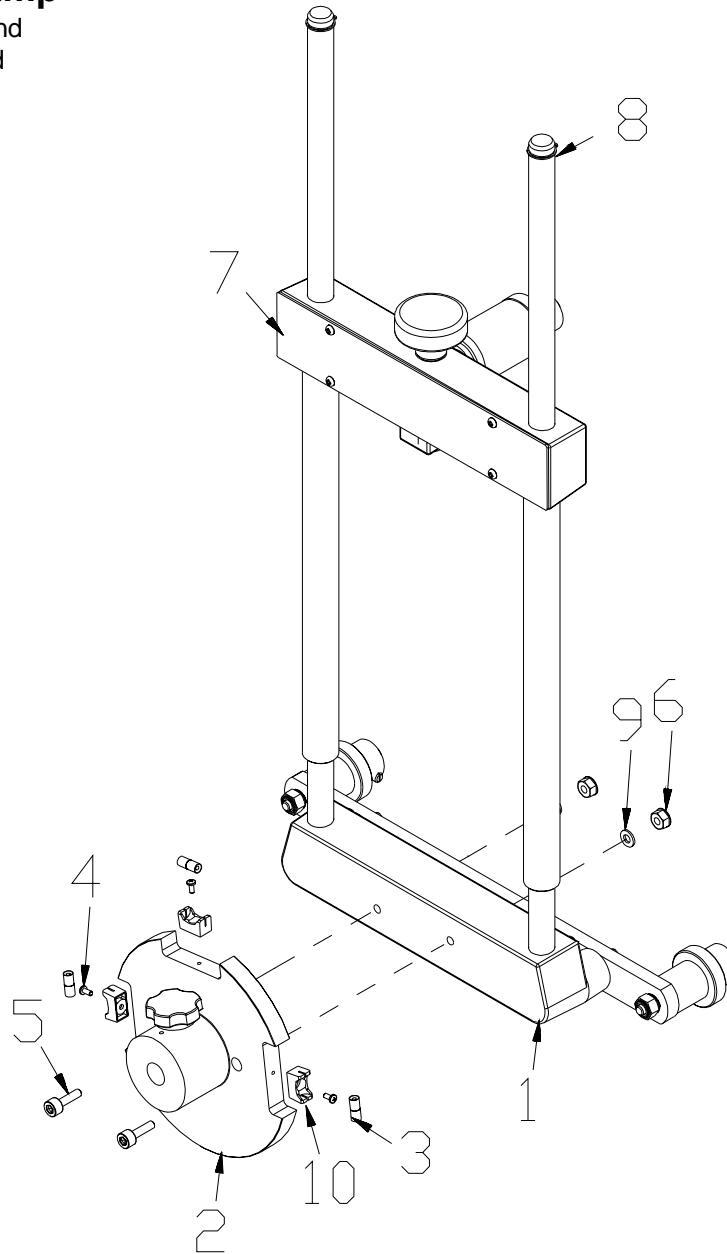
<u>Ref</u>	<u>Qty</u>	<u>Part Number</u>	<u>Description</u>
1	1	EAC0055J94A	Knob - Wheel Clamp
2	1	1-19252A	Pin - Roll, .156 X 1 ESNA
3	1	EAC0055J19A	Screw - Clamp, Long
4	2	EAM0007J03A	Bar - Tightening, Plated
5	4	EAA0256J07A	Spring - Wheel Clamp, Plated
6	1	EAC0055J06A	Bracket - Clamp, Upper (Machined)
7	1	EAS2022J11A	Cover Plate
8	4	1-23906A	Screw - PHMS, M3.5x8mm
9	2	EAC0055J36A	Knob - Screw Thumb Rod
10	1	1-24106A	Screw - PHMS - M3 X 5mm
11	2	EAM0007J11A	Rod - Wheel Clamp
12	1	EAC0055J07A	Bracket - Center, Sliding (Mch)
13	1	1-18052A	Roll Pin - 2.5 X 18mm
14	1	EAC0055J46A	Knob - Shaft Clamp
15	2	1-24006A	Screw - PHMS, M5 X .8m X 8mm
16	2	EAS2022J43A	Spring - Friction, Hub
17	2	EAM0007J20A	Pin - Friction
18	1	EAC0055J08A	Bracket - Clamp, Lower (Mch)
19	2	1-47910A	Screw - HSHS, M8 X 1.25m X 12mm
20	3	8-07716A	Grommet - Rubber, Z1046
21	1	1-16981A	Level Vial - P/N 0150
22	1	2-03732A	Flange - Mtg, Vial
23	3	EAM0016J93A	Retainer Assy - Rim Claw Ext.
24	2	EAM0007J39A	Retainer - Friction Ring
25	2	8-1314	O'ring - 5 - 8 X 34 As - 568a - 0
26	1	1-11833	Nut - M8 - 1.25 Din 934
27	3	EAM0007J01A	Rim Claw Universal
28	3	EAM0016J89A	Claw - Clearanced

EAC0055J57A - Pair of Wheel Clamps and Contents

2	EAA0256J35A	Wheel Clamp Assy
2	EAK0222J79A	Kit, Claw - Clearanced, CCD
2	EAM0007J17A	Rod - Extension, Whl Clmp, 22" Cap
3	EAM0016J89A	Claw - Clearanced, CCD Clamp
3	EAM0007J01A	Rim Claw Universal
2	1-08584A	Cord - Bungee, Blk. 16"
1	TEAC0055J57A	Maint Instr - Wheel Clamp

Truck Wheel Clamp

EAM0016J38A - Right Hand
EAM0016J79A - Left Hand

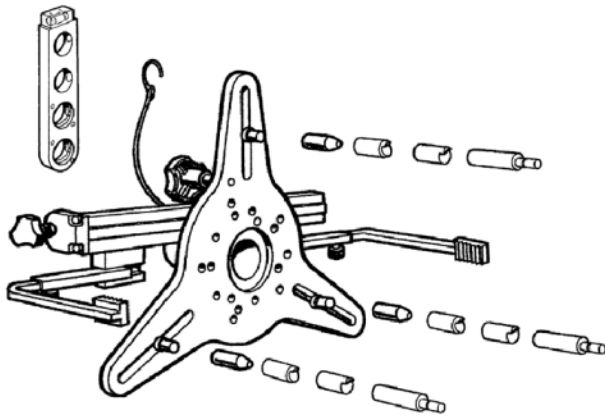


<u>Ref</u>	<u>Qty</u>	<u>Part Number</u>	<u>Description</u>
1	1	EAM0016J33A	Clamp Assy - Lwr Brkts & Rods, RH
		EAM0016J78A	Clamp Assy - Lwr Brkts & Rods, LH
2	1	EAM0016J16A	Disc Assy - Index
3	3	1-16981A	Level Vial
4	3	1-1906	Screw - 4 - 40 X 1/4 PHMS - ZN
5	2	1-46209A	Screw - SHCS, #10 - 24 X 3/4 Nc - 3a
6	2	1-7733	Nut & Lk Washer Assy #10 - 24
7	1	EAM0016J42A	Locking Assy - Wheel Clamp, Trk
8	2	1-13977A	Ring - Retaining, .625
9	2	1-18441A	Washer - Flat, #10 1/2od X 7/32i
10	3	2-03732A	Flange - Mtg, Vial

Miscellaneous Parts

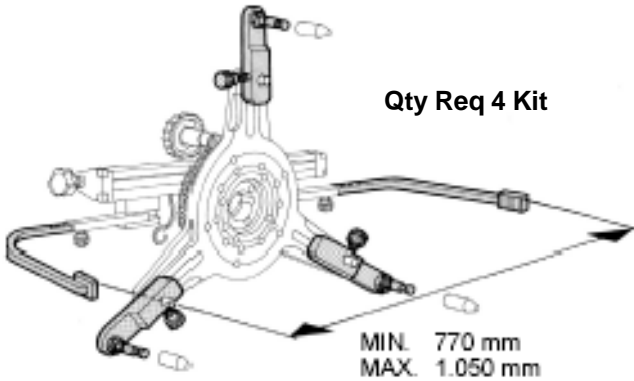
<u>Qty</u>	<u>Part Number</u>	<u>Description</u>
1	00088620000	Wheel Chock -Inner
1	00088621000	Wheel Chock- Outer
1	00000096000	Depressor Ass'y - Pedal
1	00055502000	Clamp Ass'y - Wheel, Steering
1	00088690000	Remote Control, V97
2	01122063000	Battery - AA, 1.5V Alkalyne
4	EAK0222J30A	Alloy Universal Camera Wheel Clamp
1	EAK0222J17A	Voice Align Kit
	• 2-29466A	Headset Base / Belt Pk Dom
	• 2-29666A	Headset Assy - Voice Control
	• 2-29466A01	Switch Accessory
	• 5-10426A1	Tape - Hook Velcro, #88
	• 5-10426A2	Tape - Loop Velcro, #1000
	• TEAK0222J17A0	Installation Instr - Headset
	• 00089209000	Cord - Power, Adapter, 12"
1	00088690000	Remote Control
1	00086796000	Mouse
1	EAL0343J25A	Mouse Pad
1	00088927000	Label-elec/Serial,Desktop
1	00089226000	Software - Mitchell Undercar
1	00089565000	Software Ass'y - JBC Prem W/Ns
1	EAK0256J23A	Software Kit - Windows XP
1	01122651000	Label - caution,Electrical Shock
1	3-00128	Software - Norton Utilities
1	00089518000	Label-shut Down, Windows
1	00000331000	Convex Mirror
1	00064222000	Portable Slip Plate

Femas Clamp



- | | | |
|----------|--------------------|--|
| 1 | EAK0222J29A | Wheel Clamp Alloy Kit (Includes 4 clamps) |
| 4 | EAA0256J62A | Wheel Clamp - Alloy (AR 10" - 21") |
| 1 | EAK0222J26A | Adapter Kit Spoiler (Alloy WC) 2 PCS. |
| 4 | EAK0222J21A | Shoe Kit - Tapered, (Alloy Wc) |
| 4 | EAK0222J22A | Gripper Shoe Kit, Short (Alloy WC) |
| 4 | EAK0222J24A | Gripper Shoe Kit, Shaped (Alloy WC) |
| 4 | EAK0222J25A | Shoe Kit, Extensions (Alloy WC) |
| 4 | EAL0343J27A | Decal, Runout |

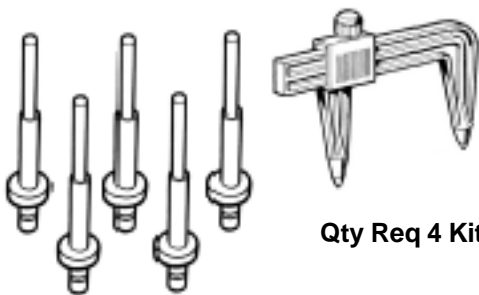
Optional Femas Accessories



EAK0222J27A Extension Adaptor Kit



EAK0222J20A Porsche Adaptors



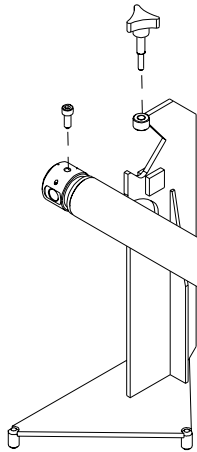
EAK0222J28A Kit, Hub Pins For Mercedes-Benz & BMW



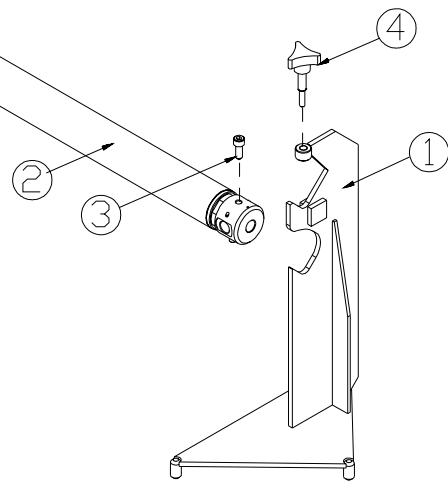
EAK0222J23A Long Gripper

Calibration Equipment

EAK0222J02A

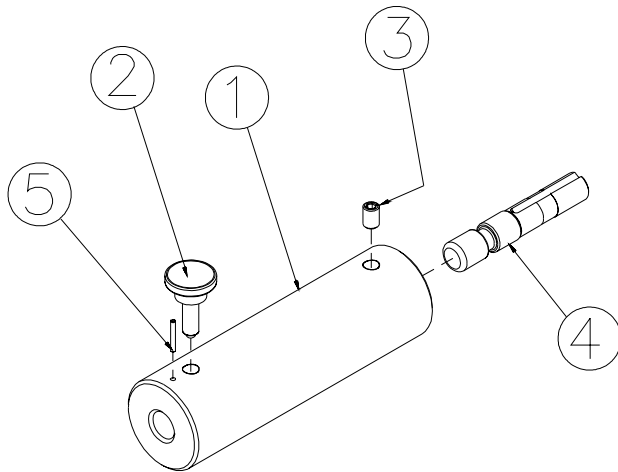


<u>Ref</u>	<u>Qty</u>	<u>Part Number</u>	<u>Description</u>
1	2	EAA0256J17A	Calibration Stand
2	1	EAC0055J11A	Bar Ass'y - Calibration
3	2	EAM0007J19A	Screw - Shaft Clamp
4	2	EAM0007J34A	Knob, Clamp - Calibration Bar



Dual Wheel Adapter

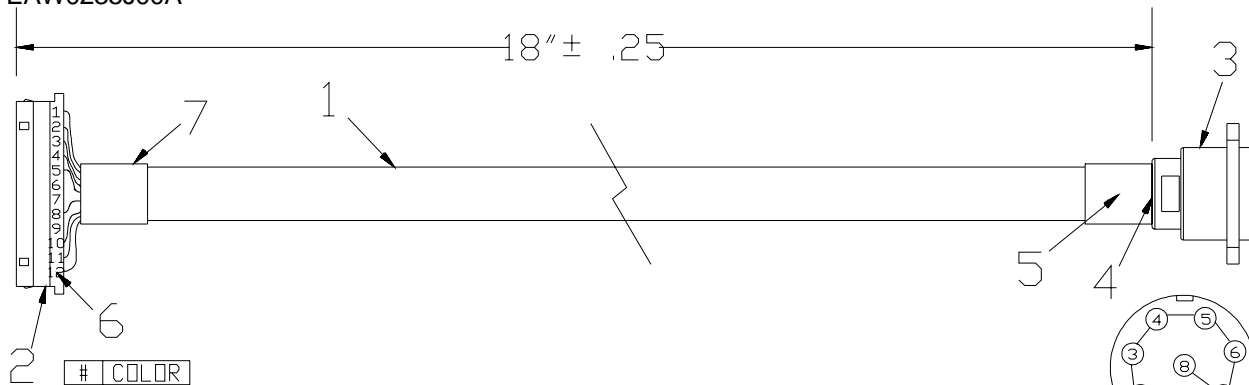
EAK0222J40A



<u>Ref</u>	<u>Qty</u>	<u>Part Number</u>	<u>Description</u>
1	2	EAM0007J45A	Offset Wheel Adapter
2	2	EAC0055J46A	Knob - Shaft Clamp
3	2	1-47910A	Screw - HHSS, M8 X 1.25 X 12mm
4	2	EAM0007J33A	Stub Shaft
5	2	1-18052A	Roll Pin - 2.5 X 18mm

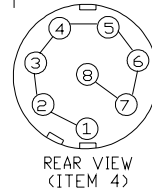
Main Sensor Power Cable

EAW0235J00A



#	COLOR
1	DRAIN
2	RED
3	RED/BLK
4	DRG
5	BLU
6	
7	
8	BLK
9	
10	GRN
11	WHT
12	WHT/BLK

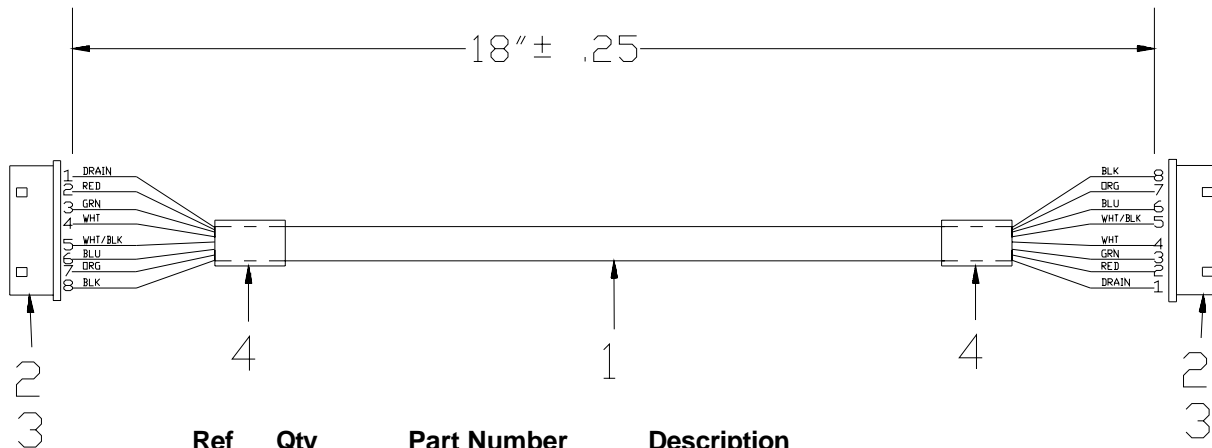
Ref	Qty	Part Number	Description
1	1	6-10520A	Shielded Cable
2	1	2-39448A	Receptacle - Housing 12 Circuit
3	1	2-36548A	Receptacle - Shell
4	1	2-36548A2	Insert - Shell Male
5	8	2-10003A	Contact Pin
6	9	2-28401A	Contact - Terminal
7	2	5-8532	Tubing Heat Shrink



#	COLOR
1	BLK
2	DRG
3	GRN
4	WHT
5	RED
6	BLU
7	WHT/BLK
8	RED/BLK

Tilt Cable

EAW0235J03A

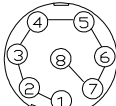
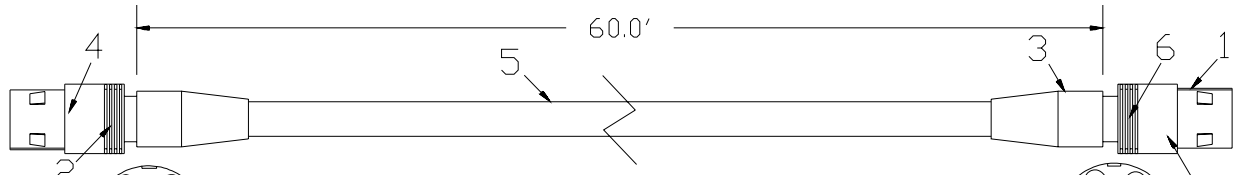


Ref	Qty	Part Number	Description
1	18"	6-10520A4	Cable Shielded 8 Conductor 26AWG
2	2	2-39348A	Receptacle Housing (8 Circuit)
3	16	2-28401A	Contact Terminal
4	2"	5-8532	Heat Shrink Tubing .250"

HIB to Wheel Sensor Cable

EAW0235J19A - Long 60'

EAW0235J09A - Short 30'



REAR VIEW
(ITEM 2)

PIN	COLOR
1	BLACK
2	YELLOW
3	DRAIN WIRE
4	NOT USED
5	RED
6	ORANGE
7	NOT USED
8	BROWN

Ref	Qty	Part Number
1	2	2-18247A
2	1	2-39548A2
3	2	2-18247A1
4	6	2-10003A
5	1	6-10420A
6	1	2-39548A1
7	5	2-09903A

Description
Cable Housing
Insert - Shell Male
Strain Relief - W/Boot
Contact Pin
Shielded Cable
Insert - Shell Female
Contact Socket

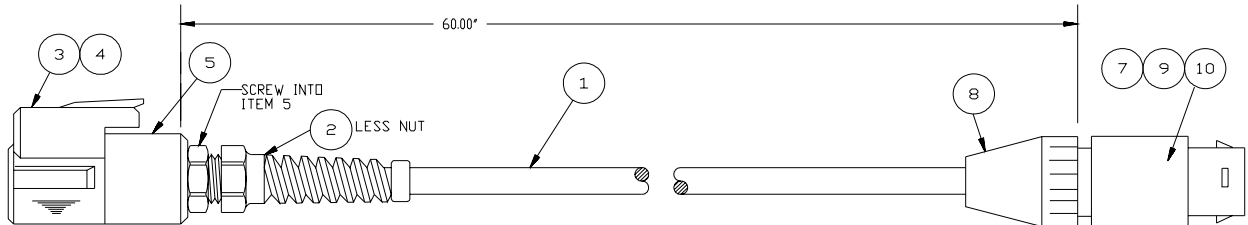


REAR VIEW
(ITEM 6)

PIN	COLOR
1	BLACK
2	YELLOW
3	NOT USED
4	NOT USED
5	RED
6	ORANGE
7	NOT USED
8	BROWN

Electronic TT to Wheel Sensor

EAW0235J33A

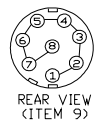


PIN	COLOR
1	BLACK
2	YELLOW
3	GREEN
4	WHITE
5	RED
6	ORANGE
7	N/C
8	N/C
9	N/C
10	VIOLET
11	N/C
12	N/C

Ref	Qty	Part Number
1	60"	6-09720A
2	1	8-07219A
3	1	2-16047A
4	6	2-08403A
5	1	EAM0007J40A
N/S	.06	6-33523
7	1	2-18247A
8	1	2-18247A1
9	1	2-39548A1
10	7	2-09903A
N/S	.04	5-8332

Description
Cable 9 Conductor
Fitting - Flex
Connector - Plug, 12 pin
Contact Socket
Sleeve 12.5 X .75THK, Tapped
Wire - 24 AWG Black
Housing Cable
Strain Relief -W/Boot
Insert - Shell Female
Contact Socket
Tubing - Heat Shrink, 1/8"

PIN	COLOR	SIGNAL
1	BLACK	GND
2	YELLOW	TX
3	GREEN	PH A
4	WHITE	PH B
5	RED	V+
6	ORANGE	RX
7	VIOLET	VTT
8	BLUE	CHASSIS GND

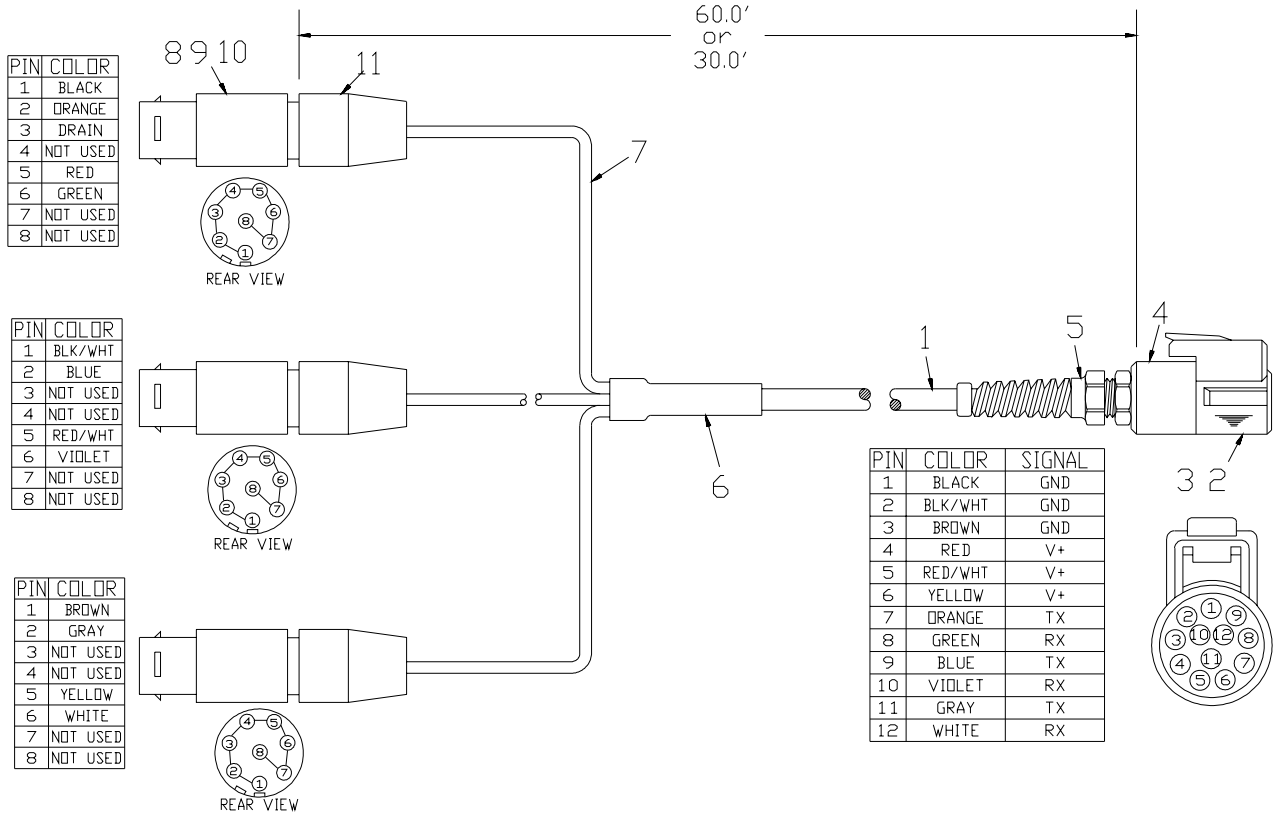


REAR VIEW
(ITEM 9)

HIB Box To Junction Box Wired Lift

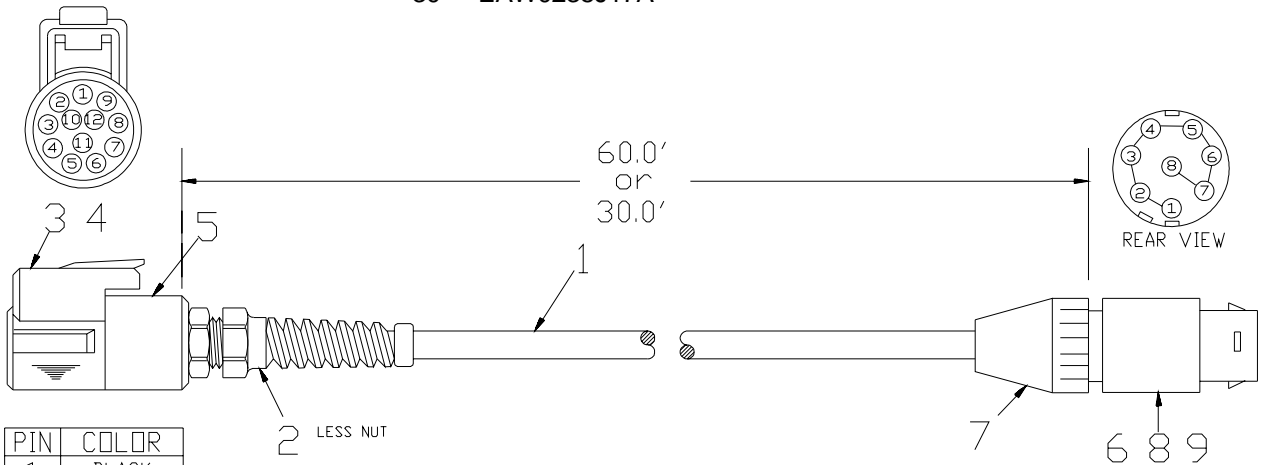
30' EAW0235J15A

60' EAW0235J32A



Ref	Qty	Part Number	Description
1	30'	6-09820A	Cable 12 Conductor, 24 AWG
2	2	2-16047A	Connector Plug, Quick Connect
3	12	2-08403A	Contact Socket
4	1	EAM0007J40A	Sleeve 12.5 X .75THK, Tapped
5	1	8-07219A	Fitting - Flex
6	.25"	5-8632	Tubing Heat Shrink 3/16"
7	1.25"	5-8432	Tubing Heat Shrink 3/8"
8	3	2-18247A	Housing Cable
9	3	2-39548A2	Insert Shell (Male)
10	13	2-10003A	Contact Pin
11	3	2-18247A1	Strain Relief -W/Boot

ETT / Remote To HIB 60' EAW0235J16A
 30' EAW0235J17A



PIN	COLOR
1	BLACK
2	YELLOW
3	N/C
4	N/C
5	RED
6	ORANGE
7	N/C
8	N/C
9	N/C
10	N/C
11	N/C
12	N/C

Ref	Qty	Part Number	Description
1	60'	6-08020A	Cable - 4 Conductor
2	1	8-07219A	Fitting - Flex
3	1	2-16047A	Connector - Plug, 12 pin
4	4	2-08403A	Contact Socket
5	1	EAM0007J40A	Sleeve 12.5 X .75THK, Tapped
6	1	2-18247A	Housing Cable
7	1	2-18247A1	Strain Relief -W/Boot
8	1	2-39548A2	Insert Shell (Male)
9	5	2-10003A	Contact Pin

PIN	COLOR	SIGNAL
1	BLACK	GND
2	YELLOW	TX
3	DRAIN	SHIELD
4	N/C	
5	RED	V+
6	ORANGE	RX
7	N/C	
8	N/C	

Rack Wiring Kit

EAK0222J51A (Short Kit)

EAK0222J82A (Long Kit)

<u>Ref</u>	<u>Qty Req.</u>	<u>Part Number</u>	<u>Description</u>
1	1	EAA0287J19A	Box Assy - Junction, RR External
2	2	EAA0287J32A	Box Assy - Junction, FRT External
3	6	1-02783A24	Duct - Latching, Panduit
4	4	1-02783A12	Duct - Latching, Panduit
5	8	01101849000	Screw - Self Tap, #12 - 24 X 3/8
6	4	EAW0235J33A	Cable Ass'y - Ett To Head
7	2	EAW0235J15A	Cable Ass'y - USB To Junction Bx (Short Kit)
	2	EAW0235J32A	Cable Ass'y - USB To Junction Bx (Long Kit)
8	12	00069735000	Duct - Latching, Panduit Tiedo
9	8	01122202000	Grommet
10	1	00069821000	Carton
11	1	08501540000	Bag - Plastic
12	1	TEAK0222J51A0	Install Instruct - Rack / CCD Algn
13	1	EAA0287J18A	Box Assy - Junction, LR External

EAA0287J18A Box Assy - Junction, LR External

<u>Qty</u>	<u>Part Number</u>	<u>Description</u>
1	00068899000	Box - Junction, Rear
1	EAW0244J54A	Cable Assy - Wired Lift
1	00086767000	PCB Ass'y - Wiring Kit
4	00074292000	Support - PCB
8	01101885000	Screw - Self Tap, #4 - 40 X 3/4
2	00083327000	Support - Receptacle(alum/Extr
2	00985166000	Foam - Adhesive, 1/8 X .38 Rol
1	EAW0244J55A	Cable Assy - Junction Box Extrnl
1	00090757000	Label - Unit Power

EAA0287J19A Box Assy - Junction, RR External

<u>Qty</u>	<u>Part Number</u>	<u>Description</u>
1	00068899000	Box - Junction, Rear
1	EAW0244J54A	Cable Assy - Wired Lift
1	00086767000	PCB Ass'y - Wiring Kit
4	00074292000	Support - PCB
8	01101885000	Screw - Self Tap, #4 - 40 X 3/4
2	00083327000	Support - Receptacle(alum/Extr
2	00985166000	Foam - Adhesive, 1/8 X .38 Rol
1	EAW0244J55A	Cable Assy - Junction Box Extrnl
1	00090757000	Label - Unit Power

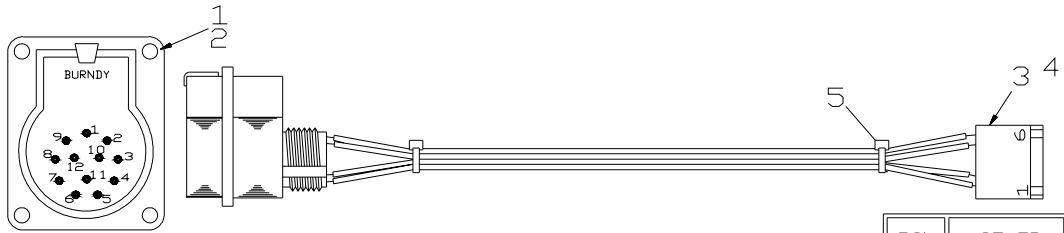
EAA0287J32A Box Assy - Junction, FRT External

<u>Qty</u>	<u>Part Number</u>	<u>Description</u>
1	00068899000	Box - Junction, Rear
2	EAX0043J63A	Cable Assy - Front
8	01101885000	Screw - Self Tap, #4 - 40 X 3/4
2	00083327000	Support - Receptacle(alum/Extr

Cable Assembly Wired Lift

EAW0244J54A

PIN	COLOR
1	BLACK
2	YELLOW
3	UNUSED
4	UNUSED
5	RED
6	ORANGE
7	UNUSED
8	UNUSED
9	UNUSED
10	UNUSED
11	UNUSED
12	UNUSED



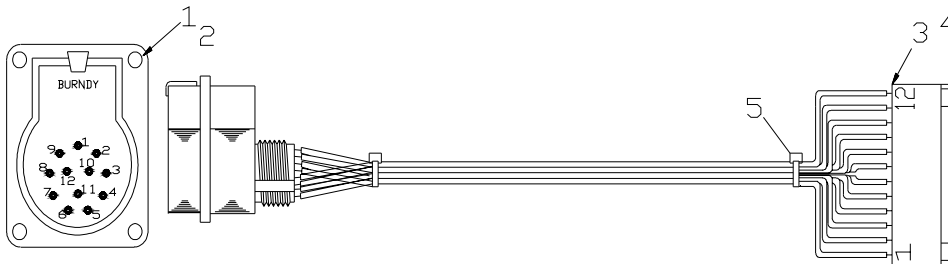
Ref	Qty	Part Number	Description
1	1	00083195000	Connector - 12 Pin
2	4	00070876000	Contact Pin
3	1	00075028000	Connector - Female 6 Pin
4	4	00070558000	Terminal Crimp
5	2	00064383000	Cable Tie

PIN	COLOR
1	BLACK
2	YELLOW
3	N/C
4	N/C
5	RED
6	ORANGE

Cable Assembly Junction Box

EAW0244J55A

PIN	COLOR
1	BLACK
2	BLACK
3	BLACK
4	RED
5	RED
6	RED
7	ORANGE
8	GREEN
9	BLUE
10	VIOLET
11	GRAY
12	WHITE



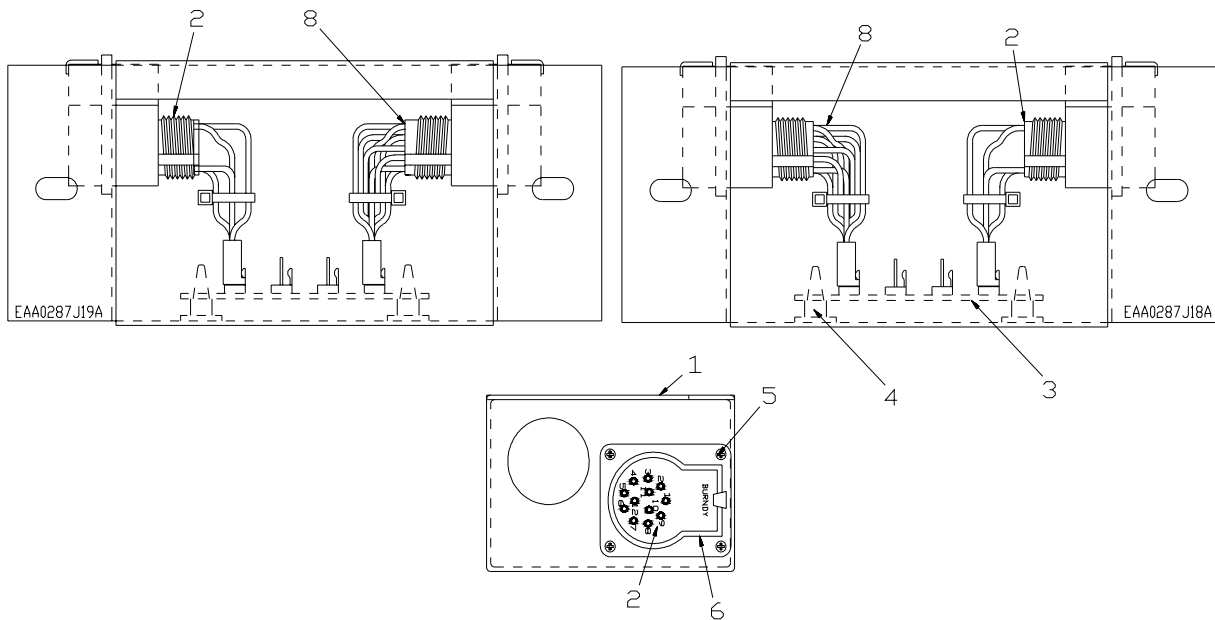
Ref	Qty	Part Number	Description
1	1	00083195000	Connector - 12 Pin
2	12	00070876000	Contact Pin
3	1	00075061000	Connector - Female 12 Pin
4	12	00070558000	Terminal Crimp
5	2	00064383000	Cable Tie

PIN	COLOR
1	BLACK
2	BLACK
3	BLACK
4	RED
5	RED
6	RED
7	ORANGE
8	GREEN
9	BLUE
10	VIOLET
11	GRAY
12	WHITE

Junction Box Assembly

Left Rear - EAA0287J18A

Right Rear - EAA0287J19A



Ref	Qty	Part Number	Description
1	1	00068899000	Box - Junction, Rear
2	1	EAW0244J54A	Cable Assy - Wired Lift
3	1	00086767000	PCB Ass'y - Wiring Kit
4	4	00074292000	Support - PCB
5	8	01101885000	Screw - Self Tap, #4 - 40 X 3/4
6	2	00083327000	Support - Receptacle(alum/Extr
7	2	00985166000	Foam - Adhesive, 1/8 X .38 Rol
8	1	EAW0244J55A	Cable Assy - Junction Box Extrnl
NS	1	00090757000	Label - Unit Power

Additional Rack Wiring Kits

EAK0222J86A KIT - 60' UPGRADE

1	2-37666A	Power Supply - 10v, 40w
2	EAW0235J32A	Cable Assy - USB To Junct. Box (Long, 3 headed)
1	3-29626AD1	Sftwr Assembly - Update Disk,HIB
1	TEAK0222J86A	Instructions - 60' Upgrade Kit

EAK0222J37A Wiring Kit and ETT for CCD aligner: Used for supplying Electronic Turntables and head cables for CCD aligner. Kit consist of 33' turntable to console cables included.

<u>Qty</u>	<u>Part Number</u>	<u>Description</u>
1	82EUR	Set of Electronic Turntables
1	EAK0222J32A	Wiring kit CCD Standard (Short, 33')

EAK0222J38A Wiring kit and ETT for CCD aligner: Used for supplying Electronic Turntables and head cables for CCD aligner. Kit consist of 60' turntable to console cables included.

<u>Qty</u>	<u>Part Number</u>	<u>Description</u>
1	82EUR	Set of Electronic Turntables
1	EAK0222J33A	Wiring kit CCD Standard (Long, 60')

EAK0222J31A CCD head Wiring Kit: Used to update a current external 86815 rack wiring kit to CCD alignment.

<u>Qty</u>	<u>Part Number</u>	<u>Description</u>
2	EAW0235J15A	Cable - Junction Box to HIB
4	EAW0235J33A	Head Cable to Rack

EAK0222J32A CCD Head Short ETT Kit. Used if rack is already equipped with Elrectronic Turntable but NO Wiring Kit. Kit includes 33' turntable to console wires and two head cables.

<u>Qty</u>	<u>Part Number</u>	<u>Description</u>
2	EAW0235J17A	Electronic Turntables to HIB, Short
2	EAW0235J33A	Head Cable to Rack

EAK0222J33A CCD Head Long ETT Kit. Used if rack is already equipped with Elrectronic Turntable but NO Wiring Kit. Kit includes 60' turntable to console wires and two head cables.

<u>Qty</u>	<u>Part Number</u>	<u>Description</u>
2	EAW0235J16A	Electronic Turntables to HIB, Long (3 Headed)
2	EAW0235J33A	Head Cable to Rack

PARTS IN ALPHABETICAL ORDER

Description	Part Number
* 3.5mm Rivscrew	1-15258
* Access Panel	EAS2057P27A
* Adapter Kit Spoiler (Alloy WC) 2 PCS.	EAK0222J26A
* Alloy Universal Camera Wheel Clamp	EAK0222J30A
Ass'y-corded Module,LH	EAA0256J09A
Ass'y-corded Module,RH	EAA0256J10A
Ass'y-skeleton,Head,LH	EAS2022J12A
Ass'y-skeleton,Head,RH	EAS2022J54A
Assy - LF / RR Module	EAA0256J15A (Old Design Ref. WA-1045-1)
Assy - RF / LR Module	EAA0256J16A (Old Design Ref. WA-1045-1)
Assy - LF / RR Module	EAA0305J73A (New Design Ref. WA-1045-1)
Assy - RF / LR Module	EAA0305J72A (New Design Ref. WA-1045-1)
* Back Panel Assy - Aligner	EAS2040P44A
* Bag - Plastic	08501540000
* Bar - Tightening, Plated	EAM0007J03A
* Bar Ass'y - Calibration	EAC0055J11A
Base for 19" Monitor	3-00908A01
* Base Wldmt - SUN/JBC Aligner	EAA0287J96A
* Battery - AA, 1.5V Alkalyne	01122063000
Battery - Cordless, 3.6v	EAA0287J34A
Battery Charger Assembly	EAA0287J23A (Old Design Ref. WA-1045-1)
Battery Charger Assembly	EAA0305J71A (New Design Ref. WA-1045-1)
* Battery Charger Box Bottom	EAS2048J10A
* Battery Charger Box Stop	EAS2048J12A
* Battery Charger Box Support	EAS2048J11A
* Battery Charger Box Top	EAS2048J09A
* Bearing-1.375odx.6idx.436thk	1-2163
* Bezel Front Remote Black	EAC0055J92A
* Bolt Assy	EAS2022J77A
* Bolt Brkt Assy	EAS2024P70A
* Bolt-hhw,10-14,Semi Cup Pt	1-01315A
* Box - Junction, Rear	00068899000
* Box Assy - Junction, FRT External	EAA0287J32A
* Bracket - CCD, Rear Two	EAS2022J08A
* Bracket - Center, Sliding (Mch)	EAC0055J07A
* Bracket - Clamp, Lower (Mch)	EAC0055J08A
* Bracket - Clamp, Upper (Machined)	EAC0055J06A
* Bracket - Monitor, Rear LH	EAS2048J44A
* Bracket - Monitor, Front Asm.	EAS2048J41A
* Bracket - Monitor, Rear RH	EAS2048J42A
* Bracket - Tilt	EAS2022J01A
* Bracket Wldmt - Aligner Remote	EAS2040P49A
* Bracket-clamp & Head-conventnl	EAS2040P10A
Brake Shoe	EAC0055J28A
* Bumper - 6 Sensor	EAC0055J89A
* Bumper - Main JBC	EAC0055J05A
* Bumper - Main SUN	EAC0055J35A
* Bumper Front	EAC0055J29A
* Bushing - Nylon, 5m X 10mm	1-5665
* Cabinet - Aigner, JBC V501 Core	EAA0287J99A
* Cabinet PC	EAS2051P14A
* Cabinet Wldmt - Aligner	EAS2040P38A
* Cable - 4 Conductor	6-08020A

Description	Part Number
* Cable - Link Wire	EAW0243P25A
* Cable - Printer	00083055000
* Cable 12 Conductor, 24 AWG	6-09820A
* Cable 9 Conductor	6-09720A
* Cable Ass'y - Ett To Head	EAW0235J14A
Cable Ass'y - Head	00083113000
Cable Ass'y - Head, Main	EAW0235J25A
Cable Ass'y - Usb To Junction Bx	EAW0235J15A
Cable Ass'y-keypad	EAW0235J18A
* Cable Assy - Front	EAX0043J63A
Cable Assy - Head, Radio, Cordless	EAW0235J26A
* Cable Assy - Junction Box Extrnl	EAW0244J55A
Cable Assy - USB To Junct. Box	EAW0235J32A
* Cable Assy - Wired Lift	EAW0244J54A
Cable Assy Head, Main, Cordless	EAW0235J13A
* Cable Assy, 16 way to 16 way IDC	EAW0243P17A
* Cable Assy, 3 Way Power Cable	EAW0243P20A
* Cable Assy, 6 way to 6 way Power Cable	EAW0243P16A
* Cable Clamp (Flat Cable)	2-3657
* Cable ETT / Remote To HIB (30 ft.)	EAW0235J16A
* Cable ETT / Remote To HIB (60 ft.)	EAW0235J17A
* Cable Shielded 8 Conductor 26AWG	6-10520A4
* Cable Tie	00064383000
* Calibration Stand	EAA0256J17A
* Carton	00069821000
Caster - Swivel 5"	8-23239A
Caster - Swivel 5" W/Brake	8-23139A
* Caster Bracket Assy	EAS2022J25A
* Catch - Magnetic, Medium	8-03642A
* Clamp - Cable, 5/16 Wobs/02j0517	01101641000
* Clamp Ass'y - Wheel, Steering	00055502000
* Clamp Assy - Lwr Brkts & Rods, LH	EAM0016J78A
* Clamp Assy - Lwr Brkts & Rods, RH	EAM0016J33A
* Clampdog - Monitor	EAM0007J35A
* Collar-shaft (Does not have Dowel Pin)	EAS2022J06A
* Collar-skeleton	EAS2022J07A
* Connector - 12 Pin	00083195000
* Connector - Female 6 Pin	00075028000
* Connector - Female 12 Pin	00075061000
* Connector - Plug, 12 pin	2-16047A
* Connector - Water Tight Heyco	2-19547A
* Connector Bracket Assy	EAS2024P63A
* Contact Pin	00070876000
* Contact Pin	2-10003A
* Contact Socket	2-08403A
* Contact Socket	2-09903A
* Contact Terminal	2-28401A
* Convex Mirror	00000331000
* Cord - Bungee, Blk. 16"	1-08584A
* Cord - Power, Adapter, 12"	00089209000
* Counter weight	EAS2022J03A
* Counterweight - Fixed	EAM0007J22A
* Counterweight Bracket	EAS2022J02A
Cover - 6 Sen, LH, JBC	EAC0055J80A
Cover - 6 Sen, RH, JBC	EAC0055J79A

Description	Part Number
* Cover - Seal, Remote	00086262000
* Cover Assy	EAS2024P66A
* Cover Assy - Interconnect Box	EAS2040P45A
* Cover Assy - Power Inlet	EAS2040P22A
* Cover Plate	EAS2022J11A
Cover-6 SUN, LH - gray	EAC0055J84A
Cover-6 SUN, RH - gray	EAC0055J83A
* Cover-head,LH JBC	EAC0055J23A
Cover-head,LH SUN	EAC0055J32A
* Cover-head,RH Nutserts Installed JBC	EAC0055J24A
Cover-head,RH Nutserts Installed SUN	EAC0055J33A
* CPU Door Assy	EAA0287J88A
* CPU Tray Assy	EAS2040P19A
* Cross Bar Center Assy	EAS2024P33A
* Cross Bar Rear Assy	EAS2040P27A
* Decal - JBC, Cabinet	EAL0343J19A
* Decal - Keyboard, Function Keys	00088716000
* Decal - Visualiner	EAL0343J41A
* Decal, Runout	EAL0343J27A
* Decal-JBC,Remote Display	00081226000
Depressor Ass'y - Pedal	00000096000
* Desktop Assy	EAA0256J24A
* Disc Assy - Index	EAM0016J16A
* Door - Access, Battery	EAC0055J25A
* Door - Cabinet PC	EAS2048J54A
* Door - SUN Aligner	EAS2048J55A
* Door Assy	EAS2024P79A
* Door-fixed	EAS2022J47A
* Dowel Pin-m2x12mm,Alloy Stl,Zn	1-17552A
* Drawer Assy	EAS2024P56A
* Drawer Slide 14"	8-04288A
* Drawer Slide Ball Bearing 17"	8-2388AL
* Drawer Slide Ball Bearing 17"	8-2388AR
* Drawer Weld Large Assy	EAS2040P81A
* Duct - Latching, Panduit Tiedo	00069735000
* Duct - Latching, Panduit	1-02783A12
* Duct - Latching, Panduit	1-02783A24
Electrical Assy - SUN	EAA0261P93A
* Extension Adaptor Kit	EAK0222J27A
* Fitting - Flex	8-07219A
* Flange - Mtg, Vial	2-03732A
* Foam - Adhesive, 1/8 X .38 Rol	00985166000
* Footrest Assy	EAS2040P26A
* Front Printer Drawer	EAC0055J40A
Fuse - 5A, Slo	2-18451A
Fuse -.5a, Slo, 5 X 20mm	2-19151A
Fuse Holder	2-15651A
* Gripper Shoe Kit, Shaped (Alloy WC)	EAK0222J24A
* Gripper Shoe Kit, Short (Alloy WC)	EAK0222J22A
* Grommet	01122121000
* Grommet	01122202000
* Grommet - Rubber, Z1046	8-07716A
* Handle	8-08833A
* Handle - Door, #B4 - 50 - 403 - 12	8-08633A
* Handle - Flush, #P1 - 31	8-08733A

Description	Part Number
* Hanger Bracket	EAS2040P20A
Head Assembly, LH Cordless JBC	EAK0256J75A (New Design Ref. WA-1045-1)
Head Assembly, RH Cordless JBC	EAK0256J76A (New Design Ref. WA-1045-1)
Head Kit - LH Cordless JBC / SVO	EAK0222J56A (Old Design Ref. WA-1045-1)
Head Kit - LH Cordless SUN / SVO	EAK0222J59A
Head Kit - RH Cordless JBC / SVO	EAK0222J57A (Old Design Ref. WA-1045-1)
Head Kit - RH Cordless SUN / SVO	EAK0222J60A
* Headset Assy - Voice Control	2-29666A
* Headset Base / Belt Pk Dom	2-29466A
* Heat Shrink Tubing .250"	5-8532
* HIB Mtg Panel - SUN Aligner	EAS2040P52A
* Hinge Door Lft Bottom/RHt Top	EAS2051P15A
* Hinge Door Lft Top/RHt Bottom	EAS2051P19A
* Hinge Latching Left	8-23536A
* Hinge Latching Right	8-23536B
* Hook - Remote	00086180000
* Housing Cable	2-18247A
* IEC Inlet (Filter)	2-40248A
* IEC Power Block 7 way	EAA0261P60A
IEC Quad Box	2-00539A
* Insert - Shell Female	2-39548A1
* Insert - Shell Male	2-36548A2
* Insert Shell (Male)	2-39548A2
* Install Instruct - Rack / CCD Algn	TEAK0222J51A0
* Installation Instr - Headset	TEAK0222J17A0
* Instructions - 60' Upgrade Kit	TEAK0222J86A
* Interconnect Box Cover Panel	EAS2040P41A
Interconnect PCB	EAP0216P00A
* Junction Box Assembly Left Rear	EAA0287J18A
* Junction Box Assembly Right Rear	EAA0287J19A
* Keyboard Mouse Support	EAS2040P93A
* Keyboard Shelf Assy	EAS2051P50A
* Keyboard Tray	EAC0055J47A
Keypad - CCD Sensor JBC	EAE0049J00A
Keypad - CCD Sensor SUN	EAE0049J13A
Keypad Assy - 6 Sensor	EAA0287J50A
* KIT - 60' UPGRADE	EAK0222J86A
* Kit, Claw - Clearanced, CCD	EAK0222J79A
* Kit, Hub Pins For Mercedes-Benz & BMW	EAK0222J28A
* Knob - Screw Thumb Rod	EAC0055J36A
* Knob - Shaft Clamp	EAC0055J46A
* Knob - Wheel Clamp	EAC0055J94A
* Knob Ass'y-brake	EAC0055J31A
* Knob, Clamp - Calibration Bar	EAM0007J34A
* Label - Battery Charger	EAL0343J54A
* Label - Battery Charger, General	EAL0343J51A
* Label - Blanking Base	EAL0345P41A
* Label - Caution	EAL0343J64A
* Label - Caution, Elect	00111245000
* Label - caution,Electrical Shock	01122651000
* Label - Cover,	EAL0343J17A
* Label - Electrical Warning	EAL0345P54A
* Label - Electrical/Serial	EAL0343J76A
* Label - Fuse	00086164000
* Label - Fuse 1a	EAL0345P53A

Description	Part Number
* Label - Fuse 3a	EAL0345P52A
* Label - Head LH/RH	EAL0343J45A
* Label - SUN Aligner	EAL0343J74A
* Label - Unit Power	00090757000
* Label - Warn.patent	EAL0343J53A
* Label - Warning, Explos.	00111243000
* Label - Warning, Shock	00086465000
* Label-elec/Serial,Desktop	00088927000
* Label-shut Down, Windows	00089518000
* LED Cable Assy, Battery Charger	EAW0235J29A
* Left Side Panel Assy	EAS2040P00A
Level Vial	1-16981A
LF/RR Wheel Sensor JBC	EAK0222J35A
LF/RR Wheel Sensor, Sun	EAK0222J44A
* Link Wire Blue	EAW0243P23A
* Link Wire Brown	EAW0243P22A
* Link Wire Ground to Ground	EAW0243P26A
* Locking Assy - Wheel Clamp, Trk	EAM0016J42A
* Long Gripper	EAK0222J23A
* M3 Washer	1-12941
* M3 x 12 Screw Pan Head	1-18206A
* M3 x 6mm screw	1-19306A
* M4 Star Washer	1-2648
* M4 x 20 Pan Head Screw	1-14106
* M5 X 12mm Screw	1-16006
* M6 X 12mm Screw	1-25806
Main Sensor Power Cable	EAW0235J00A
* Maint Instr - Wheel Clamp	TEAC0055J57A
* Mat Footrest	EAL0343J26A
Module - LF / Con., LH	EAC0055J27A
Module - RF / Con., RH	EAC0055J26A
Monitor Multimedia, 17"	00088276000
Monitor Multimedia, 19"	3-00908
* Monitor Printer Platform Sptwl	EAS2040P86A
* Monitor Support Sub Assy Lg	EAS2040P88A
* Mouse	00086796000
* Mouse Pad	EAL0343J25A
* Nameplate - JBC, CCD Sensor	EAL0343J00A
* Nameplate - SUN, Head	EAL0343J16A
* Nut - Carp, M4(plain Dished Wshr)	1-14333A
* Nut - ESNA, M3 X .5mm	1-01537A
* Nut - Keps, #4 - 40 Cd/Zn	01122109000
* Nut - Keps, #6 - 32 Unc - 2b Cd/Zn	01101760000
* Nut - Keps, #8-32 UNC - 2b Cd/Zn	01181298000
* Nut - M10 Black	1-16233A
* Nut - Stop, 1/4 - 20 Unc - 2b Cad	01101609000
* Nut - Thumb, M6 - 96115a460	1-01736A
* Nut & Lk Washer Assy #10 - 24	1-7733
* Nut M4	1-9733
* Nut M5	1-9833
* Nut-esna,M4,Zinc	1-01737A
* Nut-esna,M6 X 1mm,Zinc	1-01637A
* Nut-hex,Jam,M4 X 0.7	1-4134A
* Nylon Round Standoff 3/4"	1-5962
* O'ring - 5 - 8 X 34 As - 568a - 0	8-1314

Description	Part Number	
* Offset Wheel Adapter	EAM0007J45A	
* Panel - Rear Remote Black	EAC0055J91A	
* Panel Assy - Back	EAS2024P68A	
* Panel Assy - Side, LH	EAS2024P91A	
* Panel Assy - Side, RH	EAS2024P85A	
* Panel Rear PC	EAS2051P22A	
* Paper - Printer, Laser	00088910000	
PC - Dell	3-02806A	
* PC Back Cover Assy	EAS2040P24A	
PCB - Battery Charger	EAP0196G60B	
PCB - Battery Int Head	EAP0196G10A	
PCB - Led, Battery Charger	EAP0196J44A	
PCB Ass'y - Camber, Tilt	EAP0196J54A	
PCB Ass'y - Head, Toe	EAP0196G20A	
PCB Ass'y - Remote	00086185000	
PCB Ass'y - Wiring Kit	00086767000	
* Pin - Friction	EAM0007J20A	
* Pin - Roll, .156 X 1 ESNA	1-19252A	
* Pivot - Base, Black	EAC0055J90A	
* Plate - Back, 6 Sensor	EAM0016J85A	
* Plate - Con	EAS2022J46A	
* Plate - Counter, 6 Sensor	EAS2048J20A	
* Plate - Cover, Hook	00086183000	
* Plate - Monitor, Pivot Asm	EAS2048J47A	
* Plate-retain,CW	EAS2022J75A	
* Plate-retain,Skeleton	EAS2022J05A	
* Plate-skeleton	EAS2022J00A	
* Plug - Dome, Blk (Dp - 1000)	1-2876	
* Plug - Dome,2673	1-3776A	
* Plug - IEC, Filter, Fused	2-35266A	
* Plug - Spacer, 6 Sensor	EAM0016J91A	
* Plug-dome,1681	1-03676A	
* Plunger, Spring Loaded	8-03742A	
* Pocket - Drawer Pull, P2 - 52	00083683000	
Pod Ass'y - CCD, Head	EAA0256J05A	
Pod Assy - Cordless	EAA0256J95A	(Old Design Ref. WA-1045-1)
Pod Assy - Cordless	EAA0305J70A	(New Design Ref. WA-1045-1)
* Porsche Adaptors	EAK0222J20A	
* Portable Slip Plate	00064222000	
Power Cord - 3 Cond IEC - 301	00088635000	
Power Supply - 10v, 40w	2-37666A	
Power Supply - 9v	EAP0216P10A	
* Printer - Color, Inkjet	00089168000	
* Printer Drawer	EAS2048J31A	
* Printer Drawer Assy	EAA0287J90A	
* Printer Drawer Back	EAS2022J19A	
* Push button Snap (Clear)	8-02340A	
* Rack Wiring Kit	EAK0222J51A	
Radio - 2.4GHZ Head AC1524C - 10A	3-00609A	
* Rail Drawer Left	EAS2040P08A	
* Rail Drawer Right	EAS2024P03A	
Receiver Assy - Remote	EAA0272J20A	
Receiver Assy remote	EAA0256J28A	
* Receptacle - Cord, Power	2-37348A	
* Receptacle - Housing 12 Circuit	2-39448A	

Description	Part Number
* Receptacle - Shell	2-36548A
* Receptacle Housing (8 Circuit)	2-39348A
* Remote Bracket Assy	EAS2040P14A
Remote Cable (Cable leading to HIB PCB)	EAW0243P10A
* Remote Control	00088690000
* Retainer - Friction Ring	EAM0007J39A
* Retainer Assy - Rim Claw Ext.	EAM0016J93A
RF/LR Wheel Sensor JBC	EAK0222J36A
RF/LR Wheel Sensor, Sun	EAK0222J45A
* RHs Panel - Aligner	EAS2040P42A
* Right Side Panel Assy	EAS2040P01A
* Ring - Retaining	1-13677A
* Ring - Retaining, .625	1-13977A
* Rivet - 4.8mm Blk	1-15158A
Rocker Switch ON/OFF	2-12258A
* Rod - Wheel Clamp	EAM0007J11A
* Roll Pin - 2.5 X 18mm	1-18052A
* Rubber Feet	8-08018A
* Screw - 4 - 40 X 1/4 PHMS - ZN	1-1906
* Screw - BHCS, #8 - 32 X 1.0	01122106000
* Screw - BHCS, #8 - 32 X 1/4 Hs	01101740000
* Screw - BHCS, #8 - 32 X 3/8 Hs	01101554000
* Screw - BHCS, 1/4 - 20 X 1 1/4 Hs	01101777000
* Screw - BHCS, M4 X 12mm	1-38909A
* Screw - Clamp, Long	EAC0055J19A
* Screw - Ground, #8-32 X 3/4 Grn	00083558000
* Screw - HHCS, M8 X 20mm	1-13501A
* Screw - HHSS, M8 X 1.25 X 12mm	1-47910A
* Screw - M3 X 12mm Pan Hd, Blk	1-18206
* Screw - M4 X 20mm PHMS, Blk	1-15606A
* Screw - M4 X 8mm - Pan Head, Zn	1-20006A
* Screw - M5 X 0.8mm X 20mm, Self Tap	1-46201A
* Screw - M5 X 12mm Pan Hd, Blk	1-16006A
* Screw - Pan Hd M5 - .8mm X 20mm	1-25306A
* Screw - Pan Hd Ms M3 - .5 X 6	1-23006
* Screw - Pan Hd, M4 12mm - Zn	1-15406A
* Screw - Pan Hd, M4 X 12mm	1-29906A
* Screw - Pan Hd, M4 X 6mm, Zn	1-19906A
* Screw - PHMS - M3 X 5mm	1-24106A
* Screw - PHMS M3 X 6	1-17906A
* Screw - PHMS, M2.9 X 1 X 13mm	1-21123A
* Screw - PHMS, M2.9 X 1 X 13MM, Self Tap	1-16623
* Screw - PHMS, M3 X .5mm X 30mm	1-24706A
* Screw - PHMS, M3 X X 0.5 X 16mm	1-24206A
* Screw - PHMS, M3.5x8mm	1-23906A
* Screw - PHMS, M4 X .7mm X 12mm	1-24606A
* Screw - PHMS, M4 X .7mm X 30mm	1-24906A
* Screw - PHMS, M5 X .8m X 8mm	1-24006A
* Screw - PHMS, M2.9x1x9.5mm, Slf Tp	1-16523
* Screw - PHMS, M4 X .7mm X 8mm	1-24806A
* Screw - PHMS, M5 X .8mm X 12mm	1-20906
* Screw - RHMS, #4 - 40 X 3/4 Phl	01115607000
* Screw - Self Tap M2.9 X 9.5mm	1-06724A
* Screw - Self Tap, #12 - 24 X 3/8	01101849000
* Screw - Self Tap, #4 - 40 X 3/4	01101885000

Description	Part Number
* Screw - Shaft Clamp	EAM0007J19A
* Screw - SHCS, #10 - 24 X 3/4 Nc - 3a	1-46209A
* Screw - Shoulder, M5 X 10mm	1-02111A
* Screw Flat Head M3 x 10	1-11103
* Screw, 8-18 X 1/2 Self Tap PNHD	01122289000
* Screw-m4x.7x8mm,Self Tap,Zinc	1-03425A
* Screw-m5x.8x20mm,Slftp,Hx Hd,Z	1-3225A
* Screw-set,M4x.7mmx4mm,Cup Pt	1-38610
* Screw-set,M4x.7x10mm,Cup Pt	1-39010A
* Seal - Strip, 1/16 X 1/4	00985268000
Sensor Cable - Long	EAW0235J19A
Sensor Cable - Short	EAW0235J09A
* Sftwr Assembly - Update Disk,HIB	3-29626AD1
* Shaft-stub,Head	EAC0055J15A
* Shelf Assy - PC	EAS2024P57A
* Shelf Assy - USB HIB	EAS2040P06A
* Shielded Cable	6-10420A
* Shielded Cable	6-10520A
* Shoe Kit - Tapered, (Alloy Wc)	EAK0222J21A
* Shoe Kit, Extensions (Alloy WC)	EAK0222J25A
Skeleton Assy, LH, 6 Sensor	EAA0287J47A
Skeleton Assy, RH, 6 Sensor	EAA0287J45A
* Sleeve 12.5 X .75THK, Tapped	EAM0007J40A
* Slide - Drawer, LH	8-2488AL
* Slide - Drawer, RH	8-2488AR
Slow Blow Fuse 3A	2-7051
Slow Blow Fuse 8A	2-7151
* Software - Mitchell Undercar	00089226000
* Software - Norton Utilities	3-00128
* Software Ass'y - JBC Prem W/Ns	00089565000
Software Kit - Windows XP	EAK0256J23A
* Spacer - 3mm - Nylon Blk	1-10662A
* Spacer - 5mm OD X 3.2mm ID X 5mm	1-09162A
* Spacer - Nylon 13sp109	1-11762A
* Spacer Battery Charger	EAM0016J72A
* Spacer-extrusion,Skeleton(mach	EAM0007J27A
* Spring - Friction, Hub	EAS2022J43A
* Spring - Wheel Clamp, Plated	EAA0256J07A
* Spring-compression,.12od	1-06968A
* Standoff - M3 X 12mm F/F	1-12161A
* Strain Relief -W/Boot	2-18247A1
* Striker Plate	EAS2018R78A
* Strip - Seal 1/32 Thick	5-09826A
* Stub Shaft	EAM0007J33A
* Support - Corner Banding#1967t23	01122618000
* Support - PCB	00074292000
* Support - Receptacle(alum/Extr	00083327000
* Support Side Cabinet	EAC0055J38A
* Switch - Membrane, Remote Pro32	EAA0287J60A
* Switch - Power SPDT	01122502000
* Switch - Rocker DPST, Lit	2-12558A
* Switch Accessory	2-29466A01
* Tape - Hook Velcro, #88	5-10426A1
* Tape - Loop Velcro, #1000	5-10426A2
* Terminal Crimp	00070558000

Description	Part Number
* Threaded Rod Counterweight	EAS2022J04A
* Tie Wrap	5-845
Tilt Cable	EAW0235J03A
Tilt Sensor-Assembly	EAE0049J07A
* Tray - Mouse Mat	EAS2024P53A
* Truck Wheel Clamp - Left Hand	EAM0016J79A
* Truck Wheel Clamp - Right Hand	EAM0016J38A
* Tube-spacer	EAC0055J14A
* Tubing Heat Shrink 3/16"	5-8632
* Tubing Heat Shrink 3/8"	5-8432
* Upper Section Console	EAS2048J39A
* USB Base Assy'	EAS2024P64A
USB Hb Final Assy (See L, 170)	EAA0261P40A
USB HIB PCB Assy	EAP0196J80A1
USB HIB Shelf Assy	EAA0256J57A
* USB HIB Shelf Wiring Assy	EAA0261P55A
* Voice Align Kit	EAK0222J17A
* Washer - 10mm X 10.5mm	1-13541
* Washer - Flat, 1/4 Obs02j0703a	01107381000
* Washer - Flat, Nylon	01122107000
* Washer - Flat, Nylon	01122108000
* Washer - Flat, #10 1/2od X 7/32i	1-18441A
* Washer - Flat, 5/16	1-2541
* Washer - Flat, M3	1-11241
* Washer - Flat, M3 Din 125a	1-9541
* Washer - Int Tooth, M5	1-4647
* Washer - Lock, Ext M4	1-5547
* Washer - Lock, Split	1-446
* Washer - M3, Int Tooth	1-3147
* Washer - Nylon, .375od X .171id	01122122000
* Washer - Nylon, .38 OD	1-4044
* Washer - Shoulder	1-12844A
* Washer - Spring, .27 Id X .5	01122110000
* Washer - Tray, Weight	00061746000
* Washer Plain M4	1-11341
* Weight - Secondary, JBC	EAM0007J07A
* Weight - Secondary, SUN	EAM0007J42A
* Wheel Chock -Inner	00088620000
* Wheel Chock- Outer	00088621000
* Wheel Clamp - Alloy (AR 10" - 21")	EAA0256J62A
* Wheel Clamp Alloy Kit (Includes 4 clamps)	EAK0222J29A
* Wheel Clamp Assy	EAA0256J35A
* Wheel Clamps and Contents (Pair)	EAC0055J57A
Wheel Sensor - JBC Left Hand	EAA0287J42A
Wheel Sensor - JBC Right Hand	EAA0287J43A
Wheel Sensor - SUN Left Hand	EAA0287J54A
Wheel Sensor - SUN Right Hand	EAA0287J53A
* Window - LED, Remote	00086179000
* Window - Remote	EAL0343J22A

NOTE: PARTS LISTED WITH AN * OR OTHERWISE NOTED ARE CONSIDERED SPECIAL ORDER PARTS AND MAY NOT BE IN STOCK, OR LISTED, IN THE EQUISERV PARTS SYSTEM UNTIL ORDERED BY A TECHNICIAN. WHEN ORDERING THESE PARTS PLEASE NOTE THAT THESE ARE GOOD PART NUMBERS BUT THE PARTS DEPARTMENT WILL HAVE TO SET THEM UP IN THE SYSTEM BEFORE YOU CAN ORDER ONE AND THEREFORE AN EXTENDED LEAD TIME MAY APPLY.

PARTS IN NUMERICAL ORDER

Part Number	Description
00000096000	Depressor Ass'y - Pedal
* 00000331000	Convex Mirror
* 00055502000	Clamp Ass'y - Wheel, Steering
* 00061746000	Washer - Tray, Weight
* 00064222000	Portable Slip Plate
* 00064383000	Cable Tie
* 00068899000	Box - Junction, Rear
* 00069735000	Duct - Latching, Panduit Tiedo
* 00069821000	Carton
* 00070558000	Terminal Crimp
* 00070876000	Contact Pin
* 00074292000	Support - PCB
* 00075028000	Connector - Female 6 Pin
* 00075061000	Connector - Female 12 Pin
* 00081226000	Decal-JBC, Remote Display
* 00083055000	Cable - Printer
00083113000	Cable Ass'y - Head
* 00083195000	Connector - 12 Pin
* 00083327000	Support - Receptacle(alum/Extr
* 00083558000	Screw - Ground, #8-32 X 3/4 Grn
* 00083683000	Pocket - Drawer Pull, P2 - 52
* 00086164000	Label - Fuse
* 00086179000	Window - LED, Remote
* 00086180000	Hook - Remote
* 00086183000	Plate - Cover, Hook
00086185000	PCB Ass'y - Remote
* 00086262000	Cover - Seal, Remote
* 00086465000	Label - Warning, Shock
00086767000	PCB Ass'y - Wiring Kit
* 00086796000	Mouse
00088276000	Monitor Multimedia, 17"
* 00088620000	Wheel Chock -Inner
* 00088621000	Wheel Chock- Outer
00088635000	Power Cord - 3 Cond IEC - 301
* 00088690000	Remote Control
* 00088716000	Decal - Keyboard, Function Keys
* 00088910000	Paper - Printer, Laser
* 00088927000	Label-elec/Serial,Desktop
* 00089168000	Printer - Color, Inkjet
* 00089209000	Cord - Power, Adapter, 12"
* 00089226000	Software - Mitchell Undercar
* 00089518000	Label-shut Down, Windows
* 00089565000	Software Ass'y - JBC Prem W/Ns
* 00090757000	Label - Unit Power
* 00111243000	Label - Warning, Explos.
* 00111245000	Label - Caution, Elect
* 00985166000	Foam - Adhesive, 1/8 X .38 Rol
* 00985268000	Seal - Strip, 1/16 X 1/4
* 01101554000	Screw - BHCS, #8 - 32 X 3/8 Hs
* 01101609000	Nut - Stop, 1/4 - 20 Unc - 2b Cad
* 01101641000	Clamp - Cable, 5/16 Wobs/02j0517
* 01101740000	Screw - BHCS, #8 - 32 X 1/4 Hs
* 01101760000	Nut - Keps, #6 - 32 Unc - 2b Cd/Zn
* 01101777000	Screw - BHCS, 1/4 - 20 X 1 1/4 Hs

Part Number	Description
* 01101849000	Screw - Self Tap, #12 - 24 X 3/8
* 01101885000	Screw - Self Tap, #4 - 40 X 3/4
* 01107381000	Washer - Flat, 1/4 Obs02j0703a
* 01115607000	Screw - RHMS, #4 - 40 X 3/4 Phl
* 01122063000	Battery - AA, 1.5V Alkalyne
* 01122106000	Screw - BHCS, #8 - 32 X 1.0
* 01122107000	Washer - Flat, Nylon
* 01122108000	Washer - Flat, Nylon
* 01122109000	Nut - Keps, #4 - 40 Cd/Zn
* 01122110000	Washer - Spring, .27 Id X .5
* 01122121000	Grommet
* 01122122000	Washer - Nylon, .375od X .171id
* 01122202000	Grommet
* 01122289000	Screw, 8-18 X 1/2 Self Tap PNHD
* 01122502000	Switch - Power SPDT
* 01122618000	Support - Corner Banding#1967t23
* 01122651000	Label - caution,Electrical Shock
* 01181298000	Nut - Keps, #8-32 UNC - 2b Cd/Zn
* 08501540000	Bag - Plastic
* 1-01315A	Bolt-hhw,10-14,Semi Cup Pt
* 1-01537A	Nut - ESNA, M3 X .5mm
* 1-01637A	Nut-esna,M6 X 1mm,Zinc
* 1-01736A	Nut - Thumb, M6 - 96115a460
* 1-01737A	Nut-esna,M4,Zinc
* 1-02111A	Screw - Shoulder, M5 X 10mm
* 1-02783A12	Duct - Latching, Panduit
* 1-02783A24	Duct - Latching, Panduit
* 1-03425A	Screw-m4x.7x8mm,Self Tap,Zinc
* 1-03676A	Plug-dome,1681
* 1-06724A	Screw - Self Tap M2.9 X 9.5mm
* 1-06968A	Spring-compression,.12od
* 1-08584A	Cord - Bungee, Blk. 16"
* 1-09162A	Spacer - 5mm OD X 3.2mm ID X 5mm
* 1-10662A	Spacer - 3mm - Nylon Blk
* 1-11103	Screw Flat Head M3 x 10
* 1-11241	Washer - Flat, M3
* 1-11341	Washer Plain M4
* 1-11762A	Spacer - Nylon 13sp109
* 1-12161A	Standoff - M3 X 12mm F/F
* 1-12844A	Washer - Shoulder
* 1-12941	M3 Washer
* 1-13501A	Screw - HHCS, M8 X 20mm
* 1-13541	Washer - 10mm X 10.5mm
* 1-13677A	Ring - Retaining
* 1-13977A	Ring - Retaining, .625
* 1-14106	M4 x 20 Pan Head Screw
* 1-14333A	Nut - Carp, M4(plain Dished Wshr)
* 1-15158A	Rivet - 4.8mm Blk
* 1-15258	3.5mm Rivscrew
* 1-15406A	Screw - Pan Hd, M4 12mm - Zn
* 1-15606A	Screw - M4 X 20mm PHMS, Blk
* 1-16006	M5 X 12mm Screw
* 1-16006A	Screw - M5 X 12mm Pan Hd, Blk
* 1-16233A	Nut - M10 Black
* 1-16523	Screw - PHMS,M2.9x1x9.5mm,Slf Tp

Part Number	Description
* 1-16623	Screw - PHMS, M2.9 X 1 X 13MM, Self Tap
1-16981A	Level Vial
* 1-17552A	Dowel Pin-m2x12mm,Alloy Stl,Zn
* 1-17906A	Screw - PHMS M3 X 6
* 1-18052A	Roll Pin - 2.5 X 18mm
* 1-18206	Screw - M3 X 12mm Pan Hd, Blk
* 1-18206A	M3 x 12 Screw Pan Head
* 1-18441A	Washer - Flat, #10 1/2od X 7/32i
* 1-1906	Screw - 4 - 40 X 1/4 PHMS - ZN
* 1-19252A	Pin - Roll, .156 X 1 ESNA
* 1-19306A	M3 x 6mm screw
* 1-19906A	Screw - Pan Hd, M4 X 6mm, Zn
* 1-20006A	Screw - M4 X 8mm - Pan Head, Zn
* 1-20906	Screw - PHMS, M5 X .8mm X 12mm
* 1-21123A	Screw - PHMS, M2.9 X 1 X 13mm
* 1-2163	Bearing-1.375odx.6idx.436thk
* 1-23006	Screw - Pan Hd Ms M3 - .5 X 6
* 1-23906A	Screw - PHMS, M3.5x8mm
* 1-24006A	Screw - PHMS, M5 X .8m X 8mm
* 1-24106A	Screw - PHMS - M3 X 5mm
* 1-24206A	Screw - PHMS, M3 X X 0.5 X 16mm
* 1-24606A	Screw - PHMS, M4 X .7mm X 12mm
* 1-24706A	Screw - PHMS, M3 X .5mm X 30mm
* 1-24806A	Screw - PHMS, M4 X .7mm X 8mm
* 1-24906A	Screw - PHMS, M4 X .7mm X 30mm
* 1-25306A	Screw - Pan Hd M5 - .8mm X 20mm
* 1-2541	Washer - Flat, 5/16
* 1-25806	M6 X 12mm Screw
* 1-2648	M4 Star Washer
* 1-2876	Plug - Dome, Blk (Dp - 1000)
* 1-29906A	Screw - Pan Hd, M4 X 12mm
* 1-3147	Washer - M3, Int Tooth
* 1-3225A	Screw-m5x.8x20mm,Slftp,Hx Hd,Z
* 1-3776A	Plug - Dome,2673
* 1-38610	Screw-set,M4x.7mmx4mm,Cup Pt
* 1-38909A	Screw - BHCS, M4 X 12mm
* 1-39010A	Screw-set,M4x.7x10mm,Cup Pt
* 1-4044	Washer - Nylon, .38 OD
* 1-4134A	Nut-hex,Jam,M4 X 0.7
* 1-446	Washer - Lock, Split
* 1-46201A	Screw - M5 X 0.8mm X 20mm, Self Tap
* 1-46209A	Screw - SHCS, #10 - 24 X 3/4 Nc - 3a
* 1-4647	Washer - Int Tooth, M5
* 1-47910A	Screw - HHSS, M8 X 1.25 X 12mm
* 1-5547	Washer - Lock, Ext M4
* 1-5665	Bushing - Nylon, 5m X 10mm
* 1-5962	Nylon Round Standoff 3/4"
* 1-7733	Nut & Lk Washer Assy #10 - 24
* 1-9541	Washer - Flat, M3 Din 125a
* 1-9733	Nut M4
* 1-9833	Nut M5
2-00539A	IEC Quad Box
* 2-03732A	Flange - Mtg, Vial
* 2-08403A	Contact Socket
* 2-09903A	Contact Socket

Part Number	Description
* 2-10003A	Contact Pin
2-12258A	Rocker Switch ON/OFF
* 2-12558A	Switch - Rocker DPST, Lit
2-15651A	Fuse Holder
* 2-16047A	Connector - Plug, 12 pin
* 2-18247A	Housing Cable
* 2-18247A1	Strain Relief -W/Boot
2-18451A	Fuse - 5A, Slo
2-19151A	Fuse -.5a, Slo, 5 X 20mm
* 2-19547A	Connector - Water Tight Heyco
* 2-28401A	Contact Terminal
* 2-29466A	Headset Base / Belt Pk Dom
* 2-29466A01	Switch Accessory
* 2-29666A	Headset Assy - Voice Control
* 2-35266A	Plug - IEC, Filter, Fused
* 2-36548A	Receptacle - Shell
* 2-36548A2	Insert - Shell Male
* 2-3657	Cable Clamp (Flat Cable)
* 2-37348A	Receptacle - Cord, Power
2-37666A	Power Supply - 10v, 40w
* 2-39348A	Receptacle Housing (8 Circuit)
* 2-39448A	Receptacle - Housing 12 Circuit
* 2-39548A1	Insert - Shell Female
* 2-39548A2	Insert Shell (Male)
* 2-40248A	IEC Inlet (Filter)
2-7051	Slow Blow Fuse 3A
2-7151	Slow Blow Fuse 8A
* 3-00128	Software - Norton Utilities
3-00609A	Radio - 2.4GHZ Head AC1524C - 10A
3-00908	Monitor Multimedia, 19"
3-00908A01	Base for 19" Monitor
3-02806A	PC - Dell
* 3-29626AD1	Sftwr Assembly - Update Disk,HIB
* 5-09826A	Strip - Seal 1/32 Thick
* 5-10426A1	Tape - Hook Velcro, #88
* 5-10426A2	Tape - Loop Velcro, #1000
* 5-8432	Tubing Heat Shrink 3/8"
* 5-845	Tie Wrap
* 5-8532	Heat Shrink Tubing .250"
* 5-8632	Tubing Heat Shrink 3/16"
* 6-08020A	Cable - 4 Conductor
* 6-09720A	Cable 9 Conductor
* 6-09820A	Cable 12 Conductor, 24 AWG
* 6-10420A	Shielded Cable
* 6-10520A	Shielded Cable
* 6-10520A4	Cable Shielded 8 Conductor 26AWG
* 8-02340A	Push button Snap (Clear)
* 8-03642A	Catch - Magnetic, Medium
* 8-03742A	Plunger, Spring Loaded
* 8-04288A	Drawer Slide 14"
* 8-07219A	Fitting - Flex
* 8-07716A	Grommet - Rubber, Z1046
* 8-08018A	Rubber Feet
* 8-08633A	Handle - Door, #B4 - 50 - 403 - 12
* 8-08733A	Handle - Flush, #P1 - 31

Part Number	Description
* 8-08833A	Handle
* 8-1314	O'ring - 5 - 8 X 34 As - 568a - 0
8-23139A	Caster - Swivel 5" W/Brake
8-23239A	Caster - Swivel 5"
* 8-23536A	Hinge Latching Left
* 8-23536B	Hinge Latching Right
* 8-2388AL	Drawer Slide Ball Bearing 17"
* 8-2388AR	Drawer Slide Ball Bearing 17"
* 8-2488AL	Slide - Drawer, LH
* 8-2488AR	Slide - Drawer, RH
AAA0256J05A	Pod Ass'y - CCD, Head
* AAA0256J07A	Spring - Wheel Clamp, Plated
AAA0256J09A	Ass'y-corded Module,LH
AAA0256J10A	Ass'y-corded Module,RH
AAA0256J15A	Assy - LF / RR Module (Old Design Ref. WA-1045-1)
AAA0256J16A	Assy - RF / LR Module (Old Design Ref. WA-1045-1)
* AAA0256J17A	Calibration Stand
* AAA0256J24A	Desktop Assy
AAA0256J28A	Receiver Assy remote
* AAA0256J35A	Wheel Clamp Assy
AAA0256J57A	USB HIB Shelf Assy
* AAA0256J62A	Wheel Clamp - Alloy (AR 10" - 21")
AAA0256J95A	Pod Assy - Cordless (Old Design Ref. WA-1045-1)
AAA0261P40A	USB Hb Final Assy (See L, 170)
* AAA0261P55A	USB HIB Shelf Wiring Assy
* AAA0261P60A	IEC Power Block 7 way
AAA0261P93A	Electrical Assy - SUN
AAA0272J20A	Receiver Assy - Remote
* AAA0287J18A	Junction Box Assembly Left Rear
* AAA0287J19A	Junction Box Assembly Right Rear
AAA0287J23A	Battery Charger Assembly (Old Design Ref. WA-1045-1)
* AAA0287J32A	Box Assy - Junction, FRT External
AAA0287J34A	Battery - Cordless, 3.6v
AAA0287J42A	Wheel Sensor - JBC Left Hand
AAA0287J43A	Wheel Sensor - JBC Right Hand
AAA0287J45A	Skeleton Assy, RH, 6 Sensor
AAA0287J47A	Skeleton Assy, LH, 6 Sensor
AAA0287J50A	Keypad Assy - 6 Sensor
AAA0287J53A	Wheel Sensor - SUN Right Hand
AAA0287J54A	Wheel Sensor - SUN Left Hand
* AAA0287J60A	Switch - Membrane, Remote Pro32
* AAA0287J88A	CPU Door Assy
* AAA0287J90A	Printer Drawer Assy
* AAA0287J96A	Base Widmt - SUN/JBC Aligner
* AAA0287J99A	Cabinet - Aigner, JBC V501 Core
AAA0305J70A	Pod Assy - Cordless (New Design Ref. WA-1045-1)
AAA0305J71A	Battery Charger Assembly (New Design Ref. WA-1045-1)
AAA0305J72A	Assy - RF / LR Module (New Design Ref. WA-1045-1)
AAA0305J73A	Assy - LF / RR Module (New Design Ref. WA-1045-1)
* EAC0055J05A	Bumper - Main JBC
* EAC0055J06A	Bracket - Clamp, Upper (Machined)
* EAC0055J07A	Bracket - Center, Sliding (Mch)
* EAC0055J08A	Bracket - Clamp, Lower (Mch)
* EAC0055J11A	Bar Ass'y - Calibration
* EAC0055J14A	Tube-spacer

Part Number	Description
* EAC0055J15A	Shaft-stub,Head
* EAC0055J19A	Screw - Clamp, Long
* EAC0055J23A	Cover-head,LH JBC
* EAC0055J24A	Cover-head,RH Nutserts Installed JBC
* EAC0055J25A	Door - Access, Battery
EAC0055J26A	Module - RF / Con., RH
EAC0055J27A	Module - LF / Con., LH
EAC0055J28A	Brake Shoe
* EAC0055J29A	Bumper Front
* EAC0055J31A	Knob Ass'y-brake
EAC0055J32A	Cover-head,LH SUN
EAC0055J33A	Cover-head,RH Nutserts Installed SUN
* EAC0055J35A	Bumper - Main SUN
* EAC0055J36A	Knob - Screw Thumb Rod
* EAC0055J38A	Support Side Cabinet
* EAC0055J40A	Front Printer Drawer
* EAC0055J46A	Knob - Shaft Clamp
* EAC0055J47A	Keyboard Tray
* EAC0055J57A	Wheel Clamps and Contents (Pair)
EAC0055J79A	Cover - 6 Sen, RH, JBC
EAC0055J80A	Cover - 6 Sen, LH, JBC
EAC0055J83A	Cover-6 SUN, RH - gray
EAC0055J84A	Cover-6 SUN, LH - gray
* EAC0055J89A	Bumper - 6 Sensor
* EAC0055J90A	Pivot - Base, Black
* EAC0055J91A	Panel - Rear Remote Black
* EAC0055J92A	Bezel Front Remote Black
* EAC0055J94A	Knob - Wheel Clamp
EAE0049J00A	Keypad - CCD Sensor JBC
EAE0049J07A	Tilt Sensor-Assembly
EAE0049J13A	Keypad - CCD Sensor SUN
* EAK0222J17A	Voice Align Kit
* EAK0222J20A	Porsche Adaptors
* EAK0222J21A	Shoe Kit - Tapered, (Alloy Wc)
* EAK0222J22A	Gripper Shoe Kit, Short (Alloy WC)
* EAK0222J23A	Long Gripper
* EAK0222J24A	Gripper Shoe Kit, Shaped (Alloy WC)
* EAK0222J25A	Shoe Kit, Extensions (Alloy WC)
* EAK0222J26A	Adapter Kit Spoiler (Alloy WC) 2 PCS.
* EAK0222J27A	Extension Adaptor Kit
* EAK0222J28A	Kit, Hub Pins For Mercedes-Benz & BMW
* EAK0222J29A	Wheel Clamp Alloy Kit (Includes 4 clamps)
* EAK0222J30A	Alloy Universal Camera Wheel Clamp
EAK0222J35A	LF/RR Wheel Sensor JBC
EAK0222J36A	RF/LR Wheel Sensor JBC
EAK0222J44A	LF/RR Wheel Sensor, Sun
EAK0222J45A	RF/LR Wheel Sensor, Sun
* EAK0222J51A	Rack Wiring Kit
EAK0222J56A	Head Kit - LH Cordless JBC / SVO (Old Design Ref. WA-1045-1)
EAK0222J57A	Head Kit - RH Cordless JBC / SVO (Old Design Ref. WA-1045-1)
EAK0222J59A	Head Kit - LH Cordless SUN / SVO
EAK0222J60A	Head Kit - RH Cordless SUN / SVO
* EAK0222J79A	Kit, Claw - Clearanced, CCD
* EAK0222J86A	KIT - 60' UPGRADE
EAK0256J23A	Software Kit - Windows XP

Part Number	Description
EAK0256J75A	Head Assembly, LH Cordless JBC (New Design Ref. WA-1045-1)
EAK0256J76A	Head Assembly, RH Cordless JBC (New Design Ref. WA-1045-1)
* EAL0343J00A	Nameplate - JBC, CCD Sensor
* EAL0343J16A	Nameplate - SUN, Head
* EAL0343J17A	Label - Cover,
* EAL0343J19A	Decal - JBC, Cabinet
* EAL0343J22A	Window - Remote
* EAL0343J25A	Mouse Pad
* EAL0343J26A	Mat Footrest
* EAL0343J27A	Decal, Runout
* EAL0343J41A	Decal - Visualiner
* EAL0343J45A	Label - Head LH/RH
* EAL0343J51A	Label - Battery Charger, General
* EAL0343J53A	Label - Warn.patent
* EAL0343J54A	Label - Battery Charger
* EAL0343J64A	Label - Caution
* EAL0343J74A	Label - SUN Aligner
* EAL0343J76A	Label - Electrical/Serial
* EAL0345P41A	Label - Blanking Base
* EAL0345P52A	Label - Fuse 3a
* EAL0345P53A	Label - Fuse 1a
* EAL0345P54A	Label - Electrical Warning
* EAM0007J03A	Bar - Tightening, Plated
* EAM0007J07A	Weight - Secondary, JBC
* EAM0007J11A	Rod - Wheel Clamp
* EAM0007J19A	Screw - Shaft Clamp
* EAM0007J20A	Pin - Friction
* EAM0007J22A	Counterweight - Fixed
* EAM0007J27A	Spacer-extrusion,Skeleton(mach
* EAM0007J33A	Stub Shaft
* EAM0007J34A	Knob, Clamp - Calibration Bar
* EAM0007J35A	Clampdog - Monitor
* EAM0007J39A	Retainer - Friction Ring
* EAM0007J40A	Sleeve 12.5 X .75THK, Tapped
* EAM0007J42A	Weight - Secondary, SUN
* EAM0007J45A	Offset Wheel Adapter
* EAM0016J16A	Disc Assy - Index
* EAM0016J33A	Clamp Assy - Lwr Brkts & Rods, RH
* EAM0016J38A	Truck Wheel Clamp - Right Hand
* EAM0016J42A	Locking Assy - Wheel Clamp, Trk
* EAM0016J72A	Spacer Battery Charger
* EAM0016J78A	Clamp Assy - Lwr Brkts & Rods, LH
* EAM0016J79A	Truck Wheel Clamp - Left Hand
* EAM0016J85A	Plate - Back, 6 Sensor
* EAM0016J91A	Plug - Spacer, 6 Sensor
* EAM0016J93A	Retainer Assy - Rim Claw Ext.
EAP0196G10A	PCB - Battery Int Head
EAP0196G20A	PCB Ass'y - Head, Toe
EAP0196G60B	PCB - Battery Charger
EAP0196J44A	PCB - Led, Battery Charger
EAP0196J54A	PCB Ass'y - Camber, Tilt
EAP0196J80A1	USB HIB PCB Assy
EAP0216P00A	Interconnect PCB
EAP0216P10A	Power Supply - 9v
* EAS2018R78A	Striker Plate

Part Number	Description
* EAS2022J00A	Plate-skeleton
* EAS2022J01A	Bracket - Tilt
* EAS2022J02A	Counterweight Bracket
* EAS2022J03A	Counter weight
* EAS2022J04A	Threaded Rod Counterweight
* EAS2022J05A	Plate-retain,Skeleton
* EAS2022J06A	Collar-shaft (Does not have Dowel Pin)
* EAS2022J07A	Collar-skeleton
* EAS2022J08A	Bracket - CCD, Rear Two
* EAS2022J11A	Cover Plate
EAS2022J12A	Ass'y-skeleton,Head,LH
* EAS2022J19A	Printer Drawer Back
* EAS2022J25A	Caster Bracket Assy
* EAS2022J43A	Spring - Friction, Hub
* EAS2022J46A	Plate - Con
* EAS2022J47A	Door-fixed
EAS2022J54A	Ass'y-skeleton,Head,RH
* EAS2022J75A	Plate-retain,CW
* EAS2022J77A	Bolt Assy
* EAS2024P03A	Rail Drawer Right
* EAS2024P33A	Cross Bar Center Assy
* EAS2024P53A	Tray - Mouse Mat
* EAS2024P56A	Drawer Assy
* EAS2024P57A	Shelf Assy - PC
* EAS2024P63A	Connector Bracket Assy
* EAS2024P64A	USB Base Assy'
* EAS2024P66A	Cover Assy
* EAS2024P68A	Panel Assy - Back
* EAS2024P70A	Bolt Brkt Assy
* EAS2024P79A	Door Assy
* EAS2024P85A	Panel Assy - Side, RH
* EAS2024P91A	Panel Assy - Side, LH
* EAS2040P00A	Left Side Panel Assy
* EAS2040P01A	Right Side Panel Assy
* EAS2040P06A	Shelf Assy - USB HIB
* EAS2040P08A	Rail Drawer Left
* EAS2040P10A	Bracket-clamp & Head-conventnl
* EAS2040P14A	Remote Bracket Assy
* EAS2040P19A	CPU Tray Assy
* EAS2040P20A	Hanger Bracket
* EAS2040P22A	Cover Assy - Power Inlet
* EAS2040P24A	PC Back Cover Assy
* EAS2040P26A	Footrest Assy
* EAS2040P27A	Cross Bar Rear Assy
* EAS2040P38A	Cabinet Wldmt - Aligner
* EAS2040P41A	Interconnect Box Cover Panel
* EAS2040P42A	RHs Panel - Aligner
* EAS2040P44A	Back Panel Assy - Aligner
* EAS2040P45A	Cover Assy - Interconnect Box
* EAS2040P49A	Bracket Wldmt - Aligner Remote
* EAS2040P52A	HIB Mtg Panel - SUN Aligner
* EAS2040P81A	Drawer Weld Large Assy
* EAS2040P86A	Monitor Printer Platform Sptwl
* EAS2040P88A	Monitor Support Sub Assy Lg
* EAS2040P93A	Keyboard Mouse Support

Part Number	Description
* EAS2048J09A	Battery Charger Box Top
* EAS2048J10A	Battery Charger Box Bottom
* EAS2048J11A	Battery Charger Box Support
* EAS2048J12A	Battery Charger Box Stop
* EAS2048J20A	Plate - Counter, 6 Sensor
* EAS2048J31A	Printer Drawer
* EAS2048J39A	Upper Section Console
* EAS2048J41A	Bracket - Monitor, Front Asm.
* EAS2048J42A	Bracket - Monitor, Rear RH
* EAS2048J44A	Bracket - Monitor, Rear LH
* EAS2048J47A	Plate - Monitor, Pivot Asm
* EAS2048J54A	Door - Cabinet PC
* EAS2048J55A	Door - SUN Aligner
* EAS2051P14A	Cabinet PC
* EAS2051P15A	Hinge Door Lft Bottom/RHt Top
* EAS2051P19A	Hinge Door Lft Top/RHt Bottom
* EAS2051P22A	Panel Rear PC
* EAS2051P50A	Keyboard Shelf Assy
* EAS2057P27A	Access Panel
EAW0235J00A	Main Sensor Power Cable
EAW0235J03A	Tilt Cable
EAW0235J09A	Sensor Cable - Short
EAW0235J13A	Cable Assy Head, Main, Cordless
* EAW0235J14A	Cable Ass'y - Ett To Head
EAW0235J15A	Cable Ass'y - Usb To Junction Bx
* EAW0235J16A	Cable ETT / Remote To HIB (30 ft.)
* EAW0235J17A	Cable ETT / Remote To HIB (60 ft.)
EAW0235J18A	Cable Ass'y-keypad
EAW0235J19A	Sensor Cable - Long
EAW0235J25A	Cable Ass'y - Head, Main
EAW0235J26A	Cable Assy - Head, Radio, Cordless
* EAW0235J29A	LED Cable Assy, Battery Charger
EAW0235J32A	Cable Assy - USB To Junct. Box
EAW0243P10A	Remote Cable (Cable leading to HIB PCB)
* EAW0243P16A	Cable Assy, 6 way to 6 way Power Cable
* EAW0243P17A	Cable Assy, 16 way to 16 way IDC
* EAW0243P20A	Cable Assy, 3 Way Power Cable
* EAW0243P22A	Link Wire Brown
* EAW0243P23A	Link Wire Blue
* EAW0243P25A	Cable - Link Wire
* EAW0243P26A	Link Wire Ground to Ground
* EAW0244J54A	Cable Assy - Wired Lift
* EAW0244J55A	Cable Assy - Junction Box Extrl
* EAX0043J63A	Cable Assy - Front
* TEAC0055J57A	Maint Instr - Wheel Clamp
* TEAK0222J17A0	Installation Instr - Headset
* TEAK0222J51A0	Install Instruct - Rack / CCD Algn
* TEAK0222J86A	Instructions - 60' Upgrade Kit

NOTE: PARTS LISTED WITH AN * OR OTHERWISE NOTED ARE CONSIDERED SPECIAL ORDER PARTS AND MAY NOT BE IN STOCK, OR LISTED, IN THE EQUISERV PARTS SYSTEM UNTIL ORDERED BY A TECHNICIAN. WHEN ORDERING THESE PARTS PLEASE NOTE THAT THESE ARE GOOD PART NUMBERS BUT THE PARTS DEPARTMENT WILL HAVE TO SET THEM UP IN THE SYSTEM BEFORE YOU CAN ORDER ONE AND THEREFORE AN EXTENDED LEAD TIME MAY APPLY.

USA

John Bean
309 Exchange Avenue
Conway, Arkansas 72032
Tel.: (800) 362-8326 or (501) 450-1500
Fax: (501) 450-1585

FRANCE

John Bean
Snap-On Equipment France
Z.A. Du Vert Galant
15, rue de la Guivernone
BP 7175
95310 Saint Ouen L'Aumone
Tel: (33) 1-3448-5878
Fax: (33) 1-3448-5879

JBC GERMANY

Geschaefsbereich der Snap-on Equip.
GmbH
Werner-von-Siemens-Str. 2
D-63419 Pfungstadt
Deutschland
Tel: +49 (0) 6157 12 600
Fax: +49 (0) 6157 12 601
Website: www.johnbean.de

CANADA

John Bean
6500 Millcreek Drive
Mississauga, Ontario
Canada L5N 2W6
Tel: (905) 814-0114
Fax: (905) 814-0110

UNITED KINGDOM

UK Equipment LTD.
48 Sutton Park
Reading
RG6 1AZ
Tel: +44 (0) 118 929 6811
Fax: +44 (0) 118 966 4369

LATIN AMERICA

International Equipment Group
309 Exchange Avenue
Conway, Arkansas 72032
Tel.: (501) 450-1526
Fax: (501) 450-2086

ITALY

Snap-on Equipment s.r.l.
via Prov. Carpi, 33
42015 Correggio (RE)
Tel: 39 0522 733600
Fax: 39 0522 733610

Notice: The information contained in this document is subject to change without notice. **John Bean** makes no warranty with regard to this material. **John Bean** shall not be liable for errors contained herein or for incidental consequential damages in connection with furnishings, performance, or use of this material.

This document contains proprietary information which is protected by copyright and patents. All rights are reserved. No part of this document may be photocopied, reproduced, or translated without prior written consent of **John Bean**.