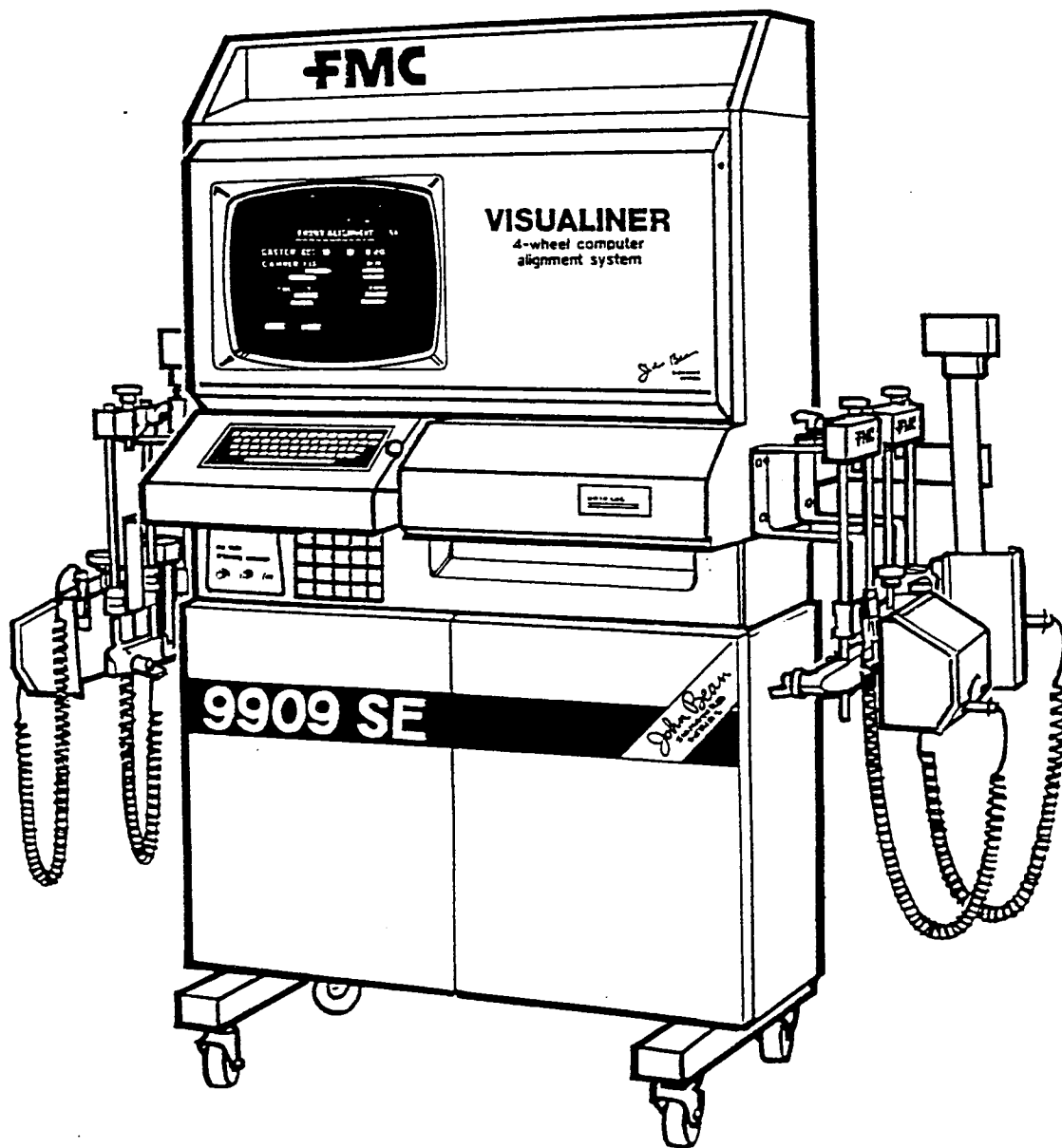
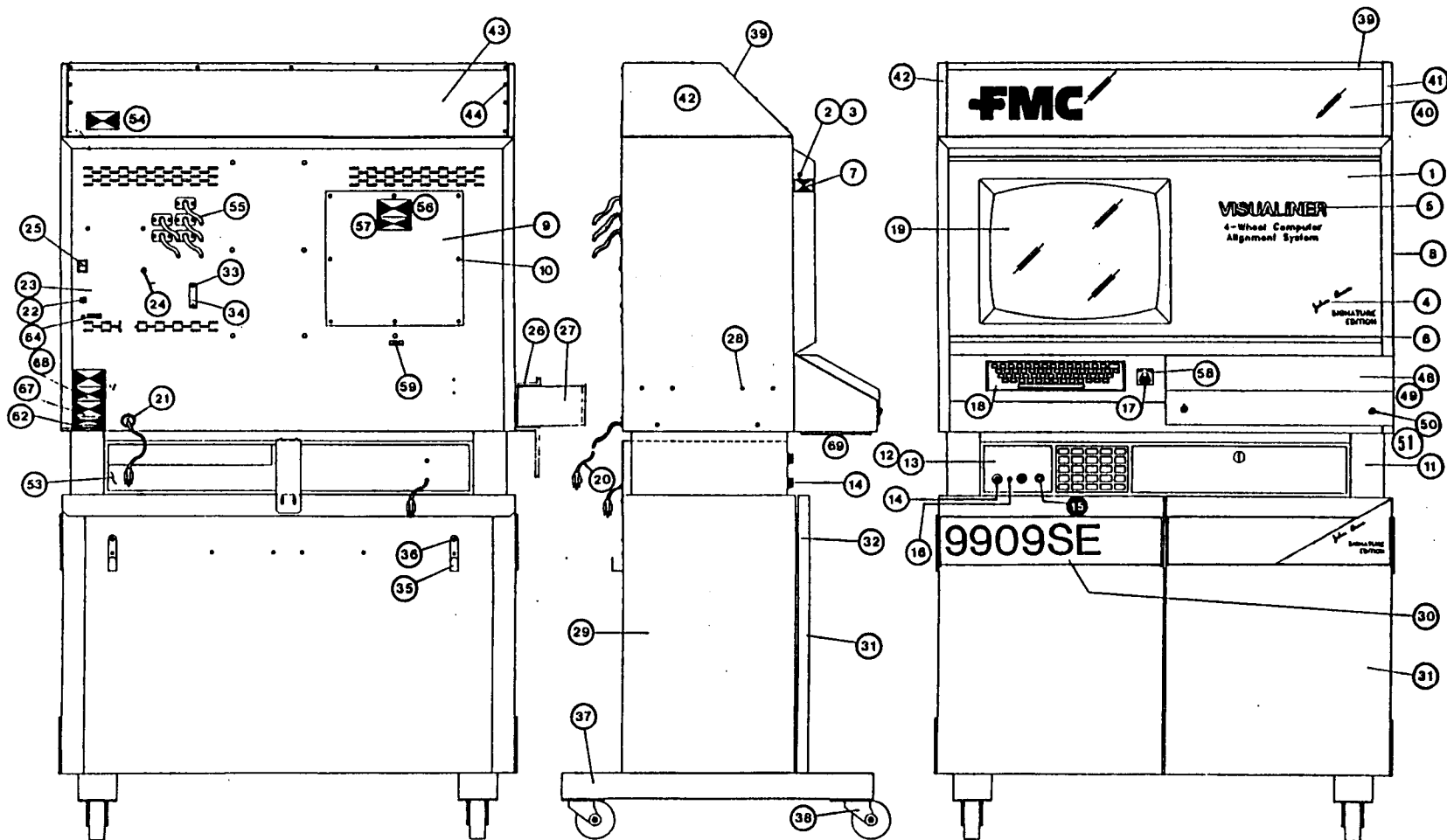


FMC 9909 VISUALINER JOHN BEAN SIGNATURE EDITION Parts Reference

Form 4777-5





THE PARTS ILLUSTRATED MAY NOT APPEAR THE SAME AS USED ON THE MACHINE, OR MAY NOT BE LOCATED IN THE SAME POSITION RELATIVE TO THE PRINCIPLE OBJECT ON THE DRAWING. VERIFY PART NO BY MONTH OF MANUFACTURE AND PARTS REFERENCE NEAREST TO THAT DATE. IF YOU STILL HAVE A PROBLEM IDENTIFYING A PART, CALL 1-800-FMC-TEAM.

9909 FRONT, SIDE, AND REAR OF CONSOLE

Ref No	Part No	Description	Ref No	Part No	Description
1	83006	Front Bezel Weldment	*	1111599	Screw HHCS 1/4-20x5/8"
2	1101802	Captive Nut 1/4-20	*	1100241	Lockwasher 1/4"
3	1101827	Screw PHMS 1/4-20x1-1/2"	*	1101802	Captive Nut 1/4-20
4	83674	John Bean Label	*	83214	Transformer
5	83672	VISUALINER Label	*	1101808	Self-tap Screw HHW #8-32x3/8"
*	63096	Rubber Trim Strip	*	83104	Transformer Shield
*	985166	Seal Strip 1/8x3/8"	*	1187293	Flat Washer #8
6	83677	Red Stripe	*	999692	Flexible Grommet
7	83186	Caution Label	20	83019	Power Supply Cord
8	83556	Upper Display Weldment	21	35148	Romex Strain Relief 1/2"ID
9	83038	CRT Back Panel	22	82328	Circuit Breaker, 3 Amp.
10	1101808	Self-tap Screw HHW #8-32x3/8"	24	83558	Special Ground Screw
*	83125	PCB Card Guide	*	1181298	KEPS Nut #8-32
*	84571	Computer PCB & Mount Assy.	25	83048	ON/OFF Switch
*	84659	Veh. Specs. USA '90 Update Kit	26	83044	Wheel Clamp Hanger Brkt. & Stabilizer
*	84593	Veh. Specs. Aust. '89 Update Kit	27	83072	Boom Stop Bracket
*	84578	Veh. Specs. PCB Assy.(EURO 89)	28	1111599	Screw HHCS 1/4-20x5/8"
*	74105	1.0 Amp Fuse (F1, F3)	*	1100241	Lockwasher 1/4"
*	74110	2.0 Amp Fuse (F2)	*	1107381	Flat Washer 1/4"
11	83757	Riser Weldment	29	83365	Lower Cabinet Assy. Shipment
*	1111599	Screw HHCS 1/4-20x5/8"	*	1101802	Captive Nut 1/4-20 Wh Clamp Hanger)
*	1100241	Lockwasher 1/4"	30	83671	"9909SE" Decal (9909/9909CAN)
*	1107381	Flat Washer 1/4"		83673	"9909" Decal (9920-2/6/7/8)
*	1121507	Hex Nut 1/4-20		83675	RED Stripe Decal (RH Door)
12	83577	Audio System (115V)		84612	"John Bean" Stripe Decal
	83358	Audio System (230V)	31	83555	Door Weldment RH/LH
13	83348	Amplifier, 8 Watt (115V)	32	63740	Hinge (2 ea.)
	83360	Amplifier, 8 Watt (230V)	*	1101826	Screw PHM #8-32x1/2"
14	84087	Knob	*	1191298	KEPS Nut #8-32
15	84173	Mike Jack	*	1187293	Flat Washer #8
*	83574	Unidirectional Microphone w/Cord	*	1101808	Self-tap Screw SHHW #8-32x3/8"
16	84171	LED Holder	*	83092	Magnetic Catch
*	84814	Video Cassette Recorder (VCR)	*	83450	Remote Bracket
*	84854	Remote Control (Magnavox)	*	1101826	Screw PHM #8-32x1/2"
*	83339	Cable Assy. Audio/Video	*	1187293	Flat Washer #8
*	84121	Cable Assy. Audio/Video	*	1181298	KEPS Nut #8-32
*	83380	VCP Attachment Bracket	33	83011	Cover Plate
*	83657	VCP Tape Holder	34	1101853	Self-tap Hex Hd. Screw #6-32x1/4"
*	1101808	Self-tap Screw HHW #8-32x3/8"	35	84269	Hook Bracket
*	1181298	KEPS Nut #8-32	36	1101613	Thumb Screw 1/4-20x1-1/4"
17	83386	VCP Control Knob	37	83039	Caster Beam
*	83566	Rotary Switch/Harness Assy.	*	1100044	Screw HHCS 5/16-18x3/4"
*	83337	Rotary Switch, 5P, 2 Pos.	*	1100242	Lockwasher 5/16"
*	80015	Shielded 9-Conductor Cable	*	1107382	Flat Washer 5/16"
*	83523	Composite Video PCB	38	63590	Caster (4 ea.)
*	60585	Connector - 8 Pin	*	1100805	Screw HHCS 1/4-20x3/4"
*	70669	Connector - 6 Pin	*	1100241	Lockwasher 1/4"
*	80125	Crimp Terminal	*	1107381	Flat Washer 1/4"
18	83126	Control Panel Membrane	*	1101800	Tinnerman Nut 1/4-20
19	83524	***CRT w/Composite PCB, Wells-Gardner	39	83595	Sign Box Assy. (Kit)
	83522	Color CRT 19"(Wells-Gardner)	*	83085	Dual 115V Receptacle (Printer/VCP)

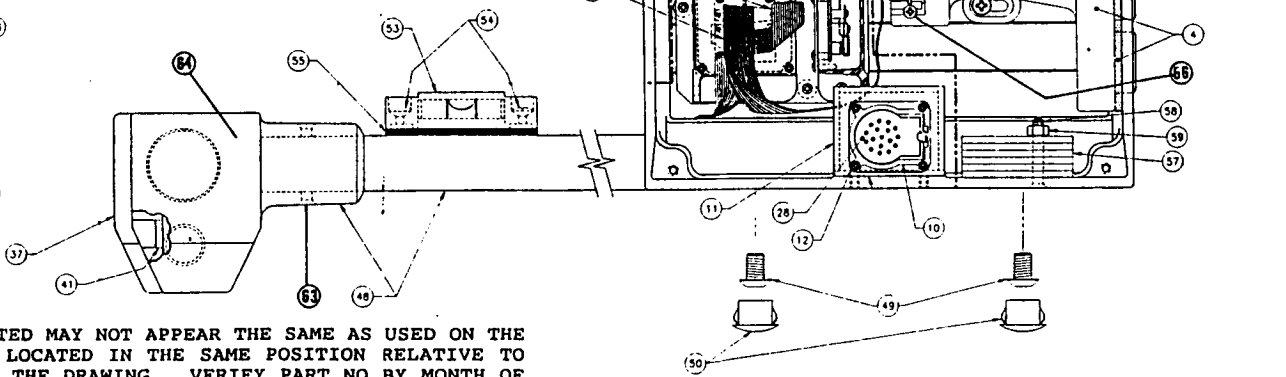
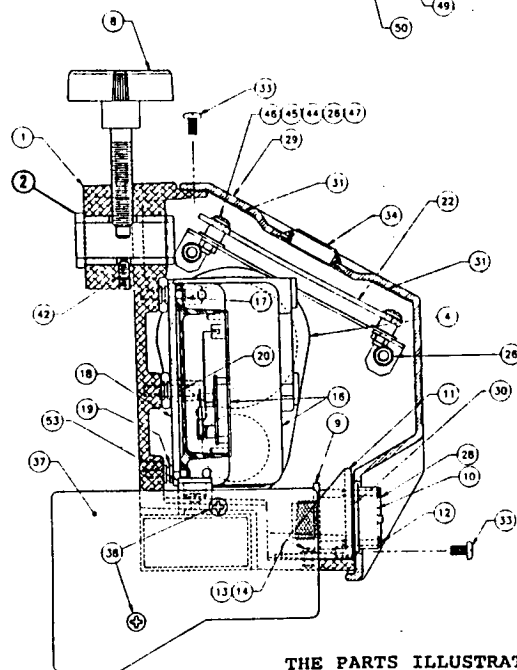
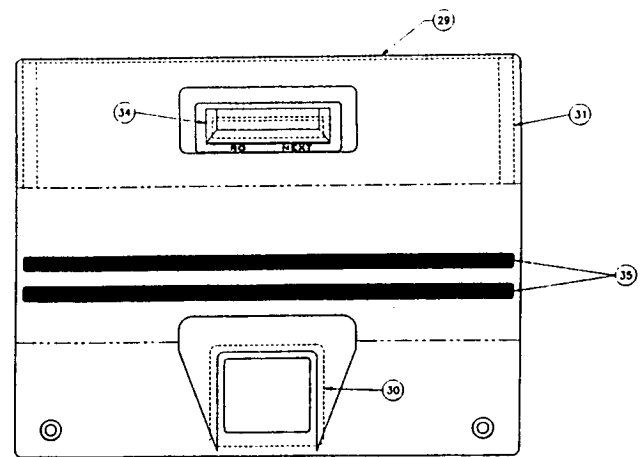
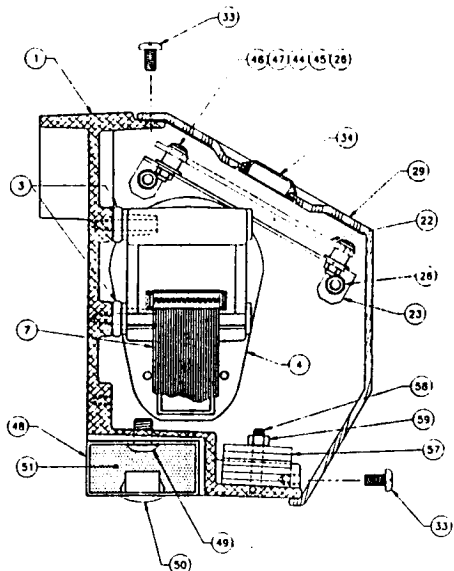
9909 FRONT, SIDE, AND REAR OF CONSOLE - PAGE 2

Ref No	Part No	Description	Ref No	Part No	Description
40	83028	Front Cover	*	83787	Printer Ribbon (Seikosha)
41	83579	RH End Cap	*	84436	Printer Ribbon (Okidata)
	83272	RH Reflector	*	83323	Printer Ribbon (Westrex)
42	83027	LH End Cap	*	985271	Seal Strip 1/4x1.0" (for 83216)
	83273	LH Reflector	*	985166	Seal Strip 1/8x3/8" (behind 83296)
	83025	Bottom Panel	*	83107	Primary Power Wire Assy.
	83463	Panel Assembly	*	83108	Transformer/CPU Cable Assy.
	83030	Mounting Panel	*	83109	Keyboard/CPU Cable Assyembly
	59088	Red FMC Label	*	83512	Cable Assy. with Tube Shield
	83031	Reflector Mounting Panel	*	83111	Term. Blk./Trans. Cable Assy.
	83270	Rear Reflector	*	83392	Receptacle/Term. Blk. Cable Assy.
	83271	Top Panel Reflector	*	83393	Switch/Terminal Block Cable Assy.
	83183	Top Panel Weldment	*	83569	Trim (Printer Opening)
43	83580	Rear Panel	*	83128	Terminal Block
44	1101826	Screw PHM #8-32x1/2"	*	83149	Jumper
*	83597	Signbox Lamp Assembly (115V)	*	83565	Caution "Amperage" Label
*	83598	Signbox Lamp Assembly (230V)	54	83246	Electrical/Serial Label, Sign
*	83581	Light Support	*	83187	CRT Warning Label
*	63127	Lamp Holder	*	83209	Ground Wire Assembly (CRT)
*	63266	Fluorescent Lamp	*	83188	Varistor Assembly - 115V
*	999692	Flex Grommet	*	60708	Connector - 2 Pin (CRT)
*	83222	Cable & Ballast Assy. 115V	*	61116	Flag Terminal 1/4"
*	83224	Cable & Ballast Assy. 230V	55	83081	Head/Remote Interconnect Cable Assy (33')
*	63126	Ballast (115V)		83578	Head/Remote Interconnect Cable Assy (65')
*	63267	Ballast (230V)	56	63889	Power Disconnect Warning Label
*	1181298	KEPS Nut #8-32	57	80323	Caution Label
48	83648	Printer Slide Shelf Assembly	58	83375	Align/Video Cable
*	84524	Printer Slide Shelf	59	83376	Video Input Cable
*	83584	Slide Shelf Support Weldment	*	83377	VCP Label
*	84525	Printer Slide Paper Tray	*	83378	AMP Label
*	83229	Drawer Slide	*	83416	3-YR Warranty Label
*	1101740	Screw 8HMS #6-32x1/4"	62	83586	Patent Nos. Label
*	1101760	KEPS Nut #6-32	64	60852	Ground Screw Label
49	83651	Dust Cover Weldment	*	83099	Sign Receptacle Label
*	1101883	Self-tap Screw HWH #8-32x3/8"	*	83122	Printer Receptacle Label
*	1181298	KEPS Nut #8-32	67	90248	ENG. & FR. Caution Label
*	83683	Drawer Pull Pocket	68	80322	Warning Label
50	84070	Washer Snap Cap	69	83371	Keyboard Access Panel
51	84071	Black Snap Cap	*	80281	UL Label
53	84336	Printer (115V)**	*	82303	Cover Plate
*	84337	Printer (230V)	*	19600002	"L" Clip Cable Clamp #8-32x3/8"
*	83055	Printer Interface Cable			
*	83049	Printer Paper (500 sheets)			
*	84519	Printer Operating Label			

** NOT SHOWN

*** When replacing a Westrex Printer, order: 1 - 84336 Printer
 1 - 84353 Background PROM Set
 1 - 84423 Foreground PROM Set

**** When replacing a Sampo CRT, use: 1 - 83524 CRT & Composite PCB
 1 - 83566 Align/Video Switch Harness Assy.



THE PARTS ILLUSTRATED MAY NOT APPEAR THE SAME AS USED ON THE MACHINE, OR MAY NOT BE LOCATED IN THE SAME POSITION RELATIVE TO THE PRINCIPLE OBJECT ON THE DRAWING. VERIFY PART NO BY MONTH OF MANUFACTURE AND PARTS REFERENCE NEAREST TO THAT DATE. IF YOU STILL HAVE A PROBLEM IDENTIFYING A PART, CALL 1-800-FMC-TEAM.

9909 Measuring Heads Parts Ref.

83607	LH Front Measuring Head Assy.	83609	LR Measuring Head Assy.
83607SVC	LH Measuring Head (Service)	83609SVC	LR Measuring Head (Service)
83608	RH Front Measuring Head Assy.	83610	RR Measuring Head Assy.
83608SVC	RH Measuring Head (Service)	83610SVC	RR Measuring Head (Service)

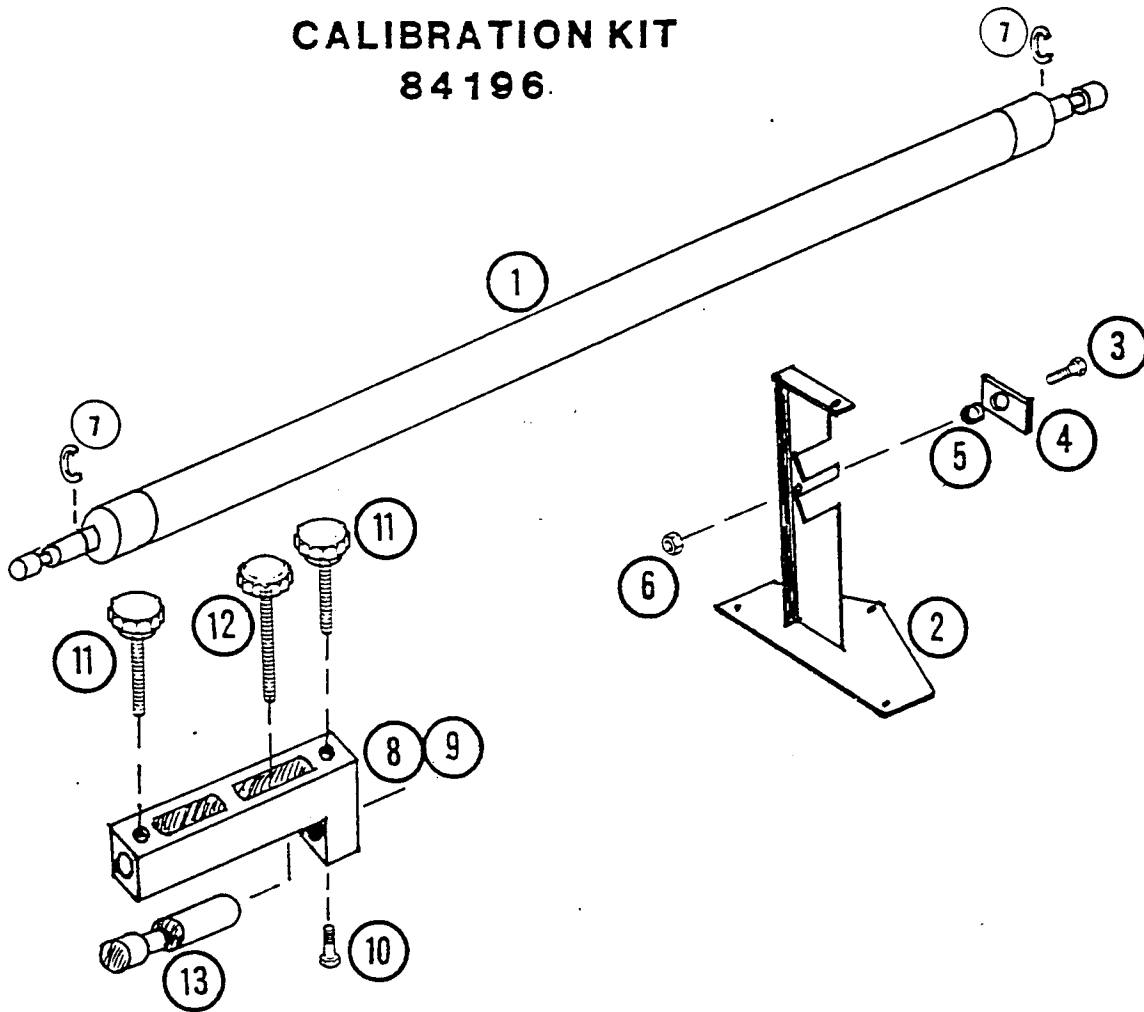
Ref No	Part No	Description	Ref No	Part No	Description
1	83617	LF Housing & Bearing Assy.	33	1101957	Screw PHM #10-24x3/8", PHIL RECESS
	83618	RF Housing & Bearing Assy.	34	84040	Switch Dome Cover
	83619	LR Housing & Bearing Assy.	35	83676	Head Cover Stripe Decal
	83620	RR Housing & Bearing Assy.	37	83117	LF Projector Cover
	83603	LF Head Housing	*	83121	RF Projector Cover
	83604	RF Head Housing	38	1101825	Self-tapping Flat Hd Screw #8-18x3/4"
	83605	LR Head Housing	41	985166	Seal Strip 1/8x3/8"
	83606	RR Head Housing	42	1112849	Hex Soc Hd Steel Pt Screw #10-24x5/16"
2	84422	Bearing (Bronze) - Housing	44	63453	Spacer
	84412	Service Housing Bushing	45	1101874	Flat Washer
	1101967	Retaining Ring (for Bushing)	46	1101731	Screw PHM #6-32x5/8"
3	83615	Optics Grommet	47	1101955	#6 Flat Nylon Washer
4	83088	LF/RF Optics Assembly	48	83086	LH Boom Tube Assembly
*	63031	Plano Cylindrical Lens	83087	83087	RH Boom Tube Assembly
*	82159	Track Toe Projector Lens Assy.	83120	83120	Boom Tube w/o nutserts (LH/RH)
*	63019	Objective Receiver Lens	83652	83652	Boom Tube with Nutserts
*	83153	Track Toe Receiver PCB Assy.	*	58139	Nutsert 1/4-20
*	1101832	Screw ST Slot Hd. #8-18x1/2"	*	82134	Proj. Lens, Front Cross/Rear Track Toe
*	1101833	Nylon Washer	*	63019	Objective Receiver Lens
5	1115855	Screw RHMS #10-24x2.0"	*	63031	Cross Toe Plano Cyl. Lens
6	83141	Cross Toe LED Drive Cable Assy.	*	83157	Cross Toe Receiver PCB Assembly
7	83140	Track Toe LED Drive Cable Assy.	*	83154	Cross Toe LED Array PCB Assy.
8	83258	Clamp Screw/Knob Assembly	*	1101789	Self-tap Screw #8-28x1/2"
	83083	Shaft	49	1101855	Screw BHHS 5/16-18x3/8"
	83084	Knob	50	83207	Plastic Hole Plug
	1112969	Setscrew SH #10-32x5/8"	51	985271	Boom Tube Seal Strip 1/4x1.0"
9	83661	Backing Plate	53	84467	Level Vial
10	83327	Receptacle Support	54	1116201	Screw Oval Hd. #6-32x5/8"
11	83096	Cable Mount Bracket	55	84468	Level Gasket
12	1115607	Screw PHM #4-40x3/4"	57		NO LONGER USED
13	1101533	Screw PHP #8-32x3/8"	58		NO LONGER USED
14	1187293	Flat Washer #8	59		NO LONGER USED
16	83094	Inclinometer Assy. (CAM/SAI)-A11	61	64383	Tie Wrap
17	1101689	Screw PHM #6-32x1/4"	63	1101835	Phillips Screw CSK 1/4-20x1/2"
18	84346	Inclinometer Mount Plate	64	83116	LF Projector Housing
19	80267	Adjustment Grommet		83118	RF Projector Housing
20	1101533	Screw PHM #8-32x3/8"heets)	*	63499	Wheel Clamp Strap
22	83151	Toe PCB Assembly	*	83089	LR/RR Optics Assembly
23	83614	Toe Board Bracket	65	83154	Track Toe LED Array PCB Assy.
25	1101879	Screw FHM #6-32x1/2"	*	83153	Track Receiver PCB Assy.
26	1101760	KEPS Nut #6-32	*	83130	Track Toe Lens Housing
28	83113	Cable Assembly	66	1101789	Phillips Screw #8x1/2"
29	83082	Head Cover - All Heads	*	83503	Head Cover w/Decals, Gasket, & Sw. Cover
30	83237	Gasket Seal	*	84569	Bushing Service Kit (7900/9900)
31	985268	Seal Strip 1/16x1/4"	*	84631	Bushing Replacement Tool Kit

9909HDPL

REV. 11/21/90

* NOT SHOWN

CALIBRATION KIT 84196.

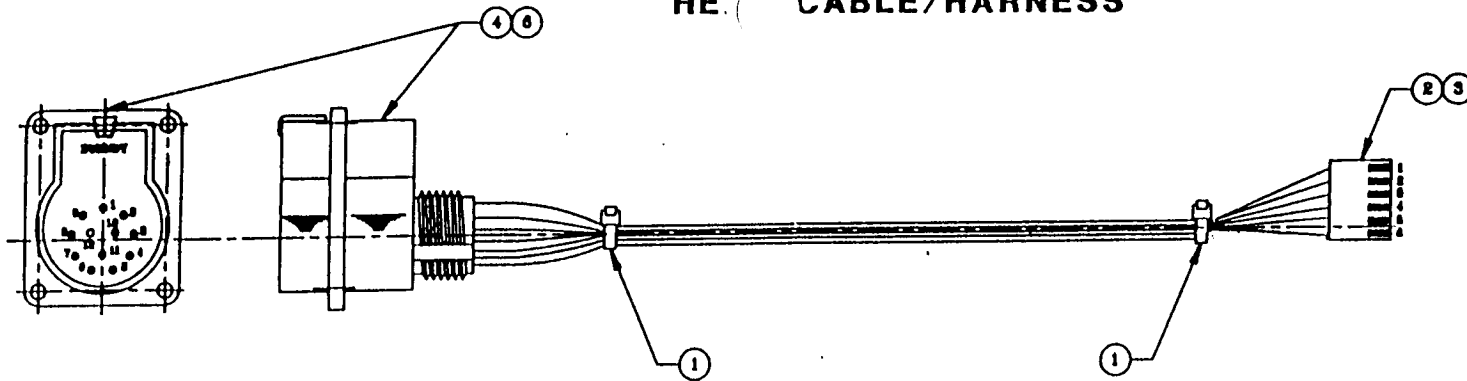


5900/9900 CALIBRATION KIT P/N 84196

Ref	Part No	Description
1	84199	Calibration Bar Assy.
2	84102	Calibration Stand Weldment
3	1101620	Shoulder Screw
4	63388	Pointer
5	59778	Check Stand Spacer.
6	1182563	Hex Nut 5/16-18
8	84281	Track Toe Calibration Fixture Assy.
9	83471	Track Toe Machined Fixture
10	1110770	Setscrew 1/4-20x3/8"
11	83258	Clamp Knob Screw Assy.
12	83259	Clamp Knob Screw Assy.
13	84630	Head/Fixture Stub Shaft
*	84625	Stub Shaft Collar (FST Cal)
*	1112913	Cone Pt. Setscrew #6-32x1/8"
*	1101729	Retaining Ring
*	84660	Track Toe Fixture Rework Kit

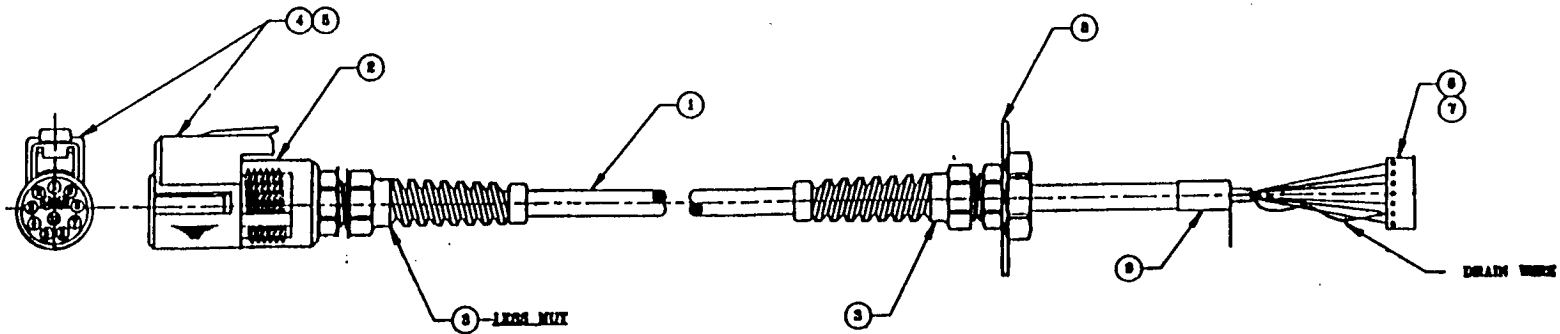
* NOT SHOWN

HEAD CABLE/HARNESS



83113 - HEAD CABLE ASSEMBLY

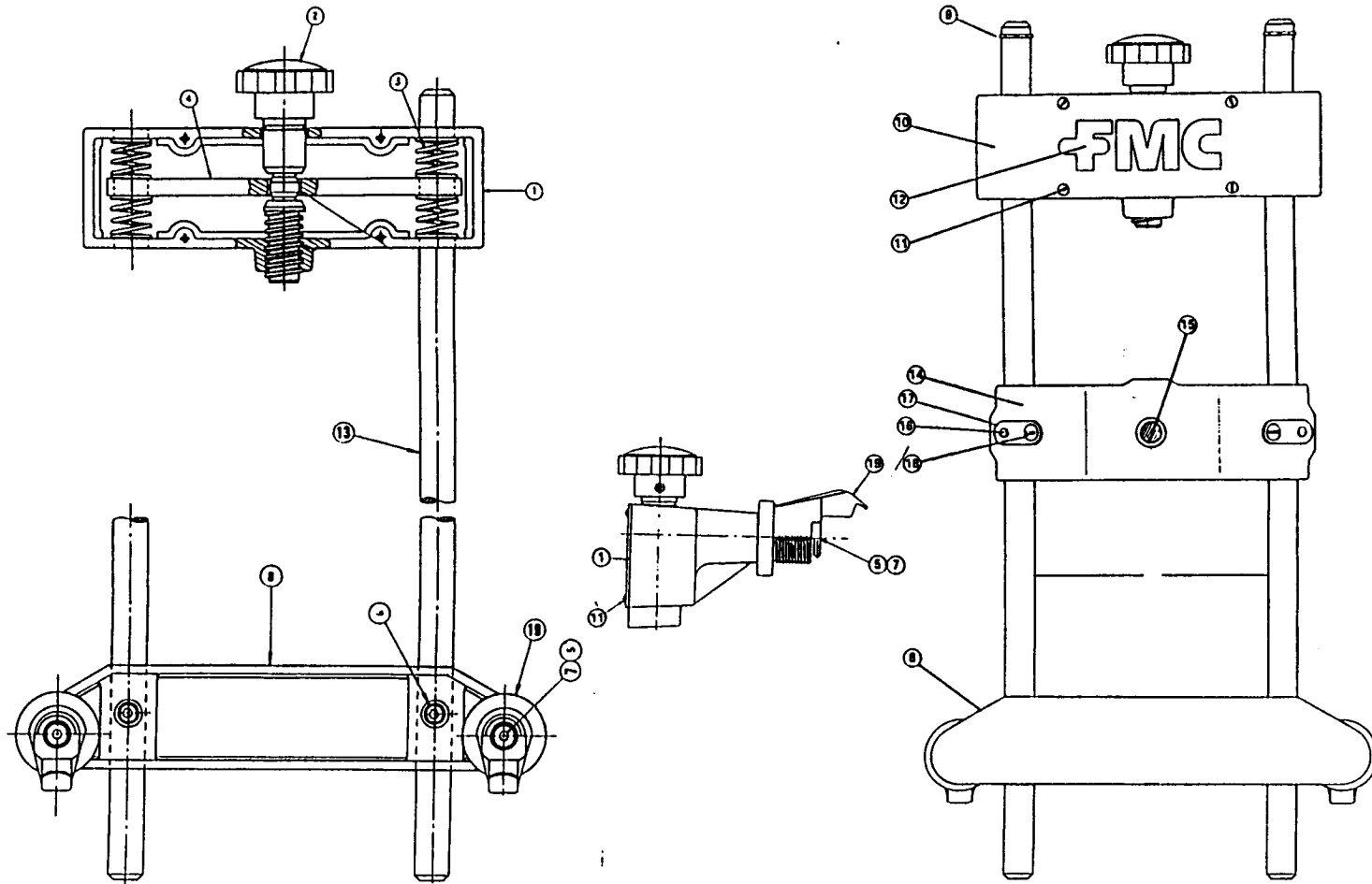
Ref No	Part No	Description	Ref No	Part No	Description
1	64383	Cable Tie	4	83195	Connector - Receptacle, 12 Pin
2	75028	Fem. Connector - 6 Pin	5	70876	Contact Pin
3	70588	Terminal Crimp			



HEAD INTERCONNECT CABLE ASSEMBLY 83081 - 33 FT., 83578 - 65 FT.

Ref No	Part No	Description	Ref No	Part No	Description
1	80015	Cable - 9 Conductor	6	70649	Connector - Plug, 6 Pin
2	83319	Sleeve	7	80125	Crimp Terminal
3	81121	Flex Fitting	8	81122	Cover Plate
4	83194	Connector - Plug, 12 Pin	9	985067	Heat Shrink Tubing
5	70877	Contact - Socket (Female)	*	83570	Key

99096PAR.WRK REV. 11/27/90



9900 WHEEL CLAMP

84143 WHEEL CLAMP ASSEMBLY

84141 WHEEL CLAMP SHIPMENT (PAIR)

Ref	Part No	Description
1	83065	Upper Clamp Bracket
2	83097	Clamp Screw/Knob Assy.
	83066	Screw
	83084	Knob (round)
	84323	Knob (fluted)
	1112969	Setscrew #10-32x5/8"
3	57666	Spring
4	83067	Tightening Bar
5	1101829	Screw SHSS 5/16x1/4-20x1.0"
6	1185383	Screw SHCS 1/4-20UNCx1/2"
7	1101830	Curved Spring Washer 1/2x5/16"
8	83062	Lower Clamp Bracket
9	1101729	Retaining Ring
10	83068	Cover
11	1115690	Screw RHP #6-32x3/8"
12	83202	"FMC" Decal
	83063	Rod
14	83069	Sliding Bracket
15	84050	Head/Stamp Shaft
*	1110771	Setscrew 1/4-20x1/2"
16	63780	Friction Pin
17	58815	Friction Spring
18	1110677	Screw RHMS #10-32x1/4"
19	83064	Grabber

* NOT SHOWN

99094PR.WRK REV. 11/27/90