

CHAPTER 4

PARTS

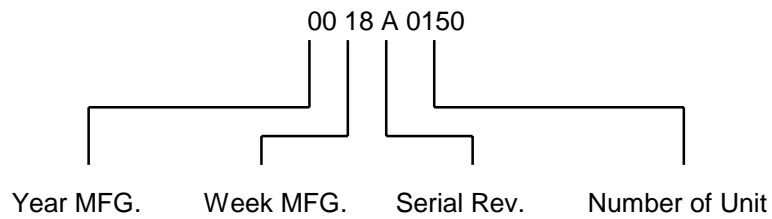
PARTS BY PICTORIAL

This chapter describes assemblies/subassemblies/parts considered replaceable at on-site field installation.

NOTE: *The following is a breakdown description of the Serial Number.*

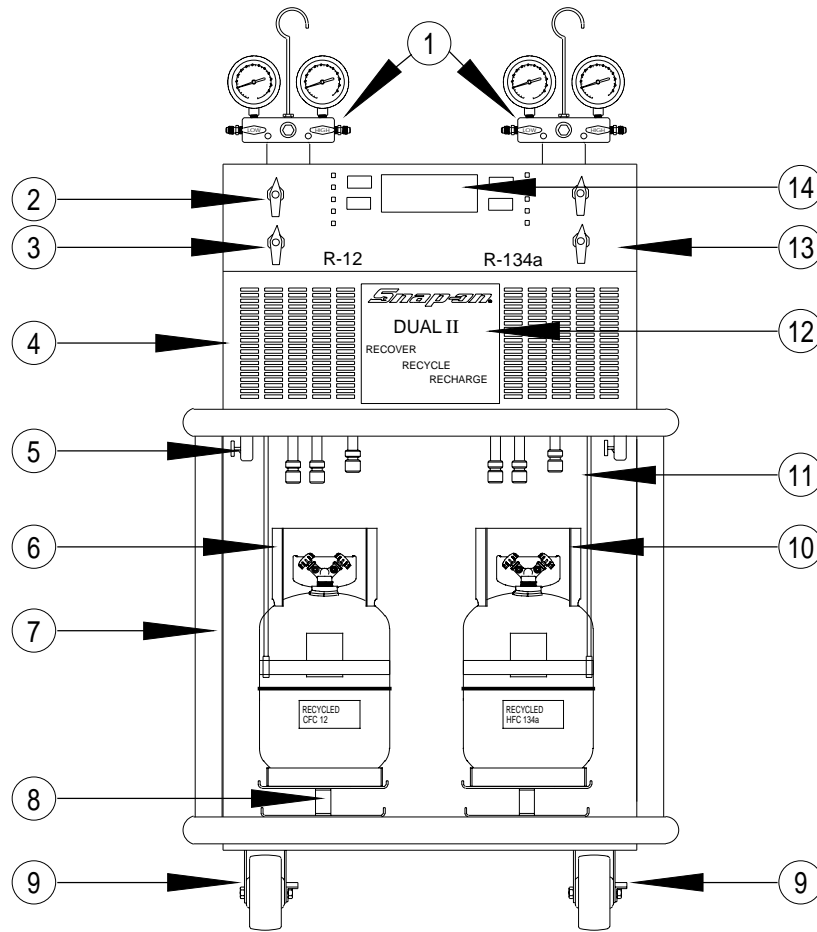
Serial # Location - Back side in front of scale assembly.

Example:



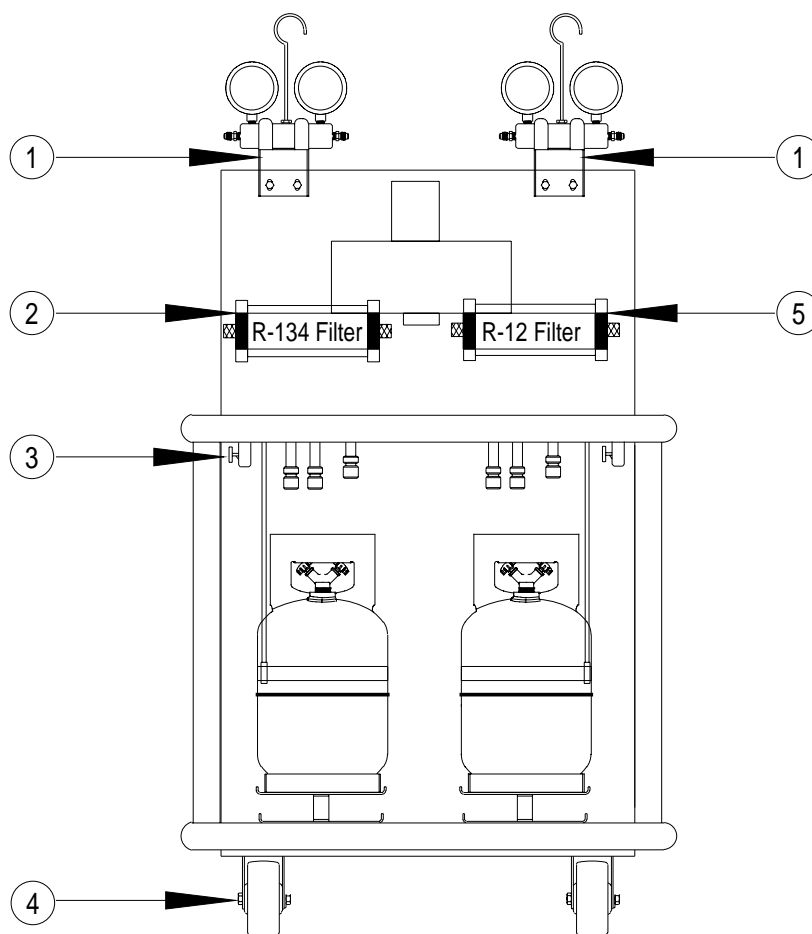
NS: NOT SHOWN IN PICTORIAL

FULL VIEW



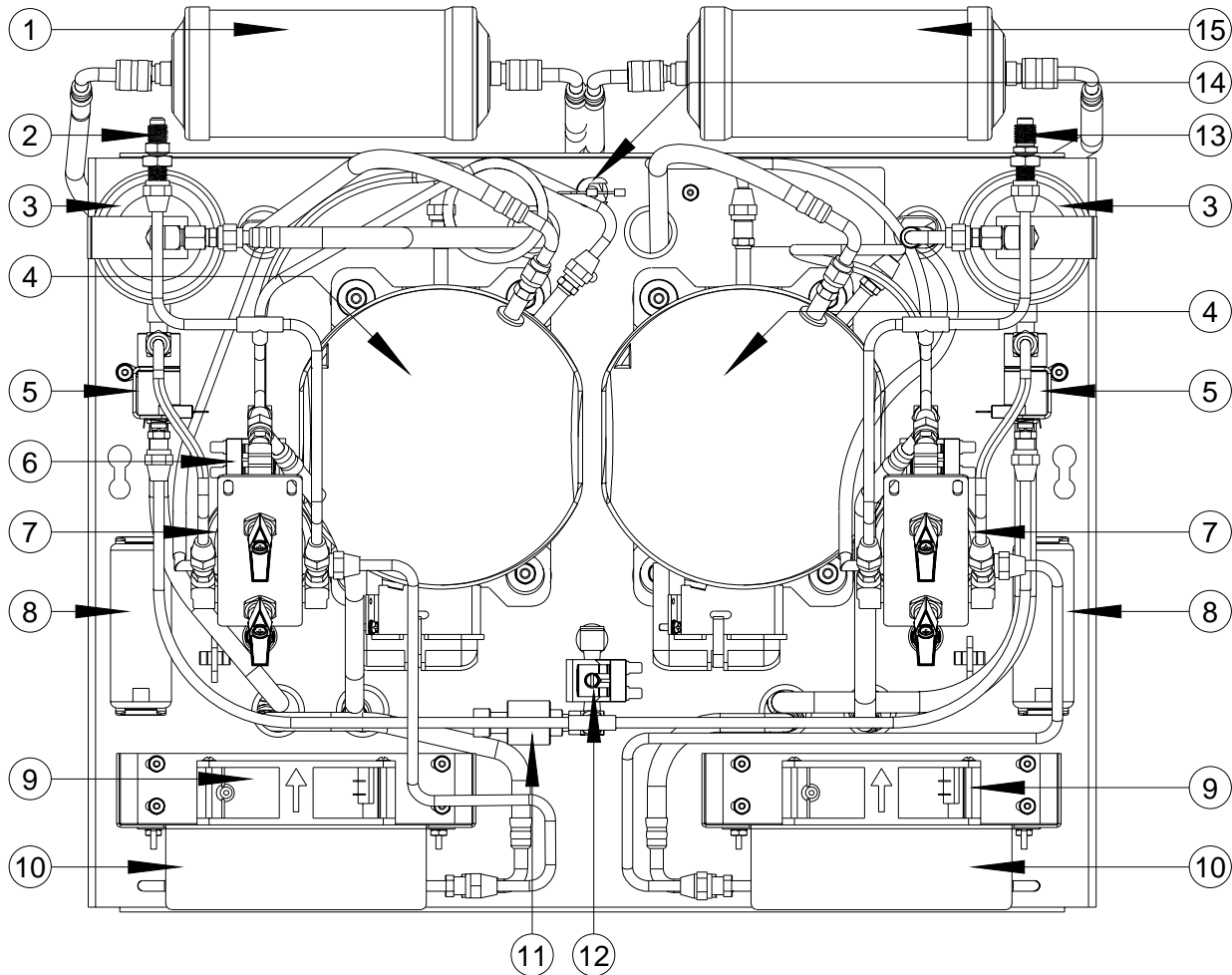
ITEM	DESCRIPTION	PART NUMBER	ITEM	DESCRIPTION	PART NUMBER
1	Gauge Set Assy.	See Page 4-5	8	Load Cell	EAA0232L00A
2	Valve, Charge	1-4781	9	Caster, w/Brake	8-21439
3	Valve, Recovery/Vac.	1-4681	10	Tank, Recover	See Page 4-7
4	Cabinet View	See Page 4-4	11	Probe, Temp	EAA0223L19AR
5	Valve, Drain	1-3881	12	Label, Model	EAL0323L02A
6	Tank, Recover	See Page 4-7	13	Overlay, Keypad	EAL0323L00B
7	Cart, Tube (2)	EASC119L05A	14	Board, Controller	EAP0161L00AR

BACK VIEW



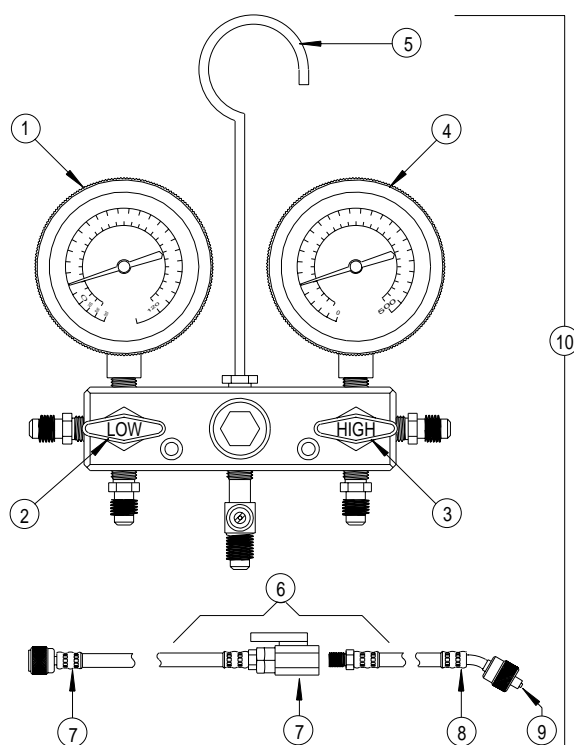
ITEM	DESCRIPTION	PART NUMBER	ITEM	DESCRIPTION	PART NUMBER
1	Bracket, Gauge Set	EASB086C06A	4	Caster w/o Brake	8-21339
2	Kit, R-12 Filter	EAK0030C01AB	5	Kit, R-134a Filter	EAK0030C02AB
3	Valve, Drain	1-3881	NS	Cord, AC Power	6-3021

INSIDE CABINET VIEW



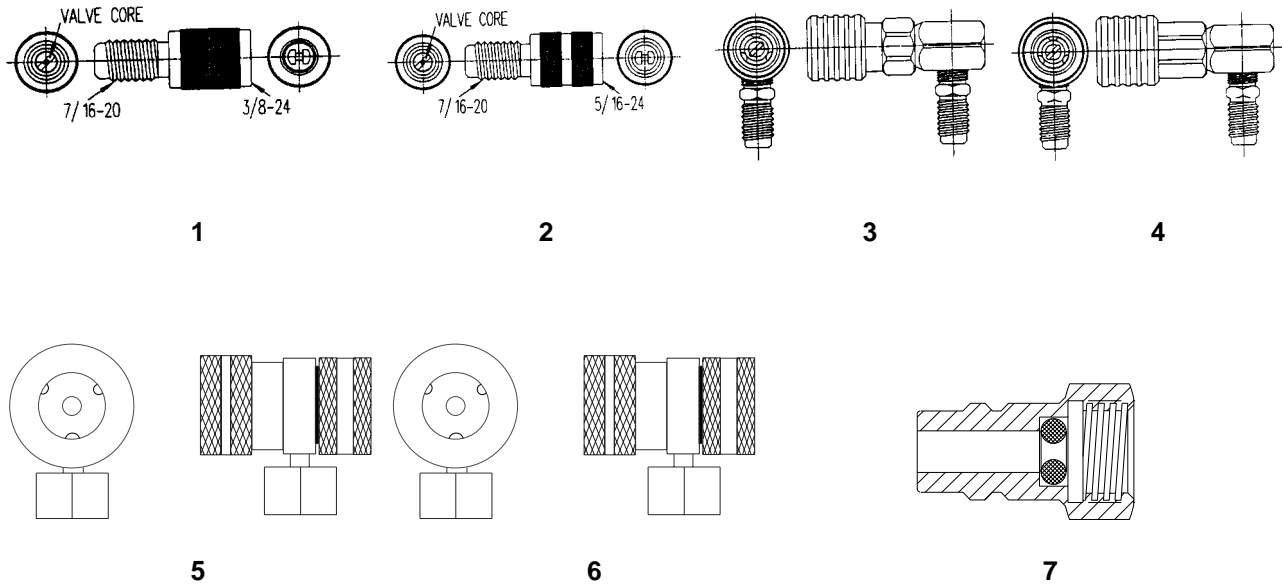
ITEM	DESCRIPTION	PART NUMBER	ITEM	DESCRIPTION	PART NUMBER
1	Kit, R-12 Filter	EAK0030C01AB	9	Fan	2-2568
2	Port, R-12 Service Port	1-22280	10	Condenser	2-2168
3	Separator, Suction	1-485	11	Transducer, Purge	2-19966
4	Compressor	EAA0236L00AR	12	Solenoid, Purge	2-6137
5	Solenoid	2-6137	13	Port, R-134 Service Port	1-22180
6	Solenoid	2-6137	14	Strain Relief	8-3719
7	Separator, Oil	1-3385	15	Kit, R-134 Filter	EAK0030C02AB
8	Cap, Compressor Start	2-1229	NS	Switch, High Pressure	1-13781
			NS	Valve, Check	1-6381
			NS	Kit, Compressor Parts (Less Compressor)	EAK0225L01A

UNIWELD MANIFOLD GAUGE SET (ALL UNITS)



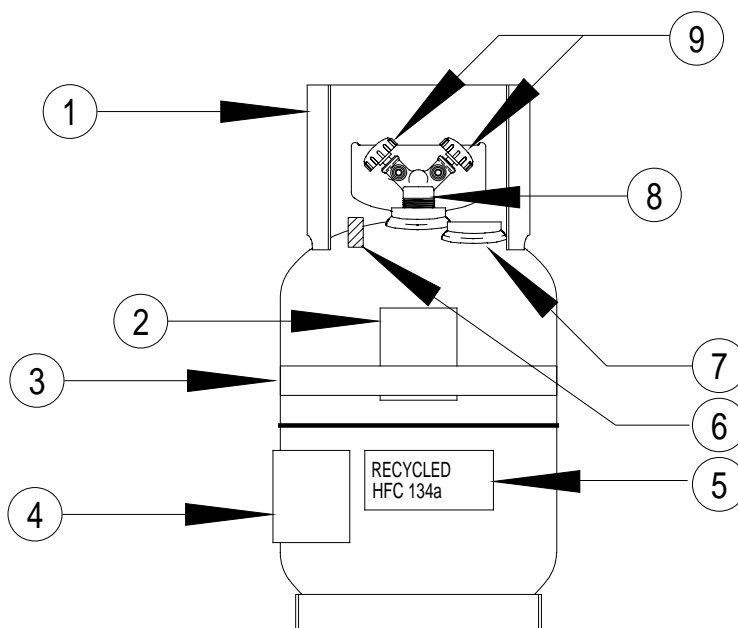
ITEM	DESCRIPTION	PART NUMBER FOR R-12	PART NUMBER FOR R-134a
1	Gauge, Low Side	EAH0013C03A	EAH0014C08A
a	Bezel	EAH0013C07A	EAH0013C07A
2a	Handle Assy., Low	EAH0013C04A	EAH0013C04A
2b	Seat Assy.	EAH0014C04A	EAH0014C04A
2c	Seal Kit	EAK0017C00A	EAK0017C00A
3a	Handle Assy., High	EAH0013C05A	EAH0013C05A
3b	Seat Assy.	EAH0014C04A	EAH0014C04A
3c	Seal Kit	EAK0017C00A	EAK0017C00A
4	Gauge, High Side	EAH0013C02A	EAH0014C07A
a	Bezel	EAH0013C07A	EAH0013C07A
5	Hook & Nut Assy.	EAH0013C01A	EAH0013C01A
6a	Hose Assy. with Valve, Blue	EAH0013C10B	-
6b	Hose Assy. with Valve, Red	EAH0013C08B	-
6c	Hose Assy. with Valve, Yellow	EAH0013C09B	EAH0014C09B
7a	Hose, 65" Blue, with Valve	EAH0013C06B	-
7b	Hose, 72" Blue	-	EAH0014C11A
7c	Hose, 65" Red, with Valve	EAH0013C16B	-
7d	Hose, 72" Red	-	EAH0014C10A
7e	Hose, 65" Yellow, with Valve	EAH0013C15B	-
8a	Hose, 6" Blue	EAH0013C14B	-
8b	Hose, 6" Red	EAH0013C12B	-
8c	Hose, 6" Yellow	EAH0013C13B	EAH0014C05B
9	Kit, Hose Repair	EAK0053C01AB	EAK0053C02AB
10	Gauge Set W/Hoses	EAH0013C00A	EAH0014C01A

ACCESSORIES



ITEM	DESCRIPTION	PART NUMBER	ITEM	DESCRIPTION	PART NUMBER
1	GM Adapter	1-27580	6a	R-134a Adapter, Low	1-27280
2	Ford Adapter	1-27480	6b	O-Ring Kit, R-134a Adapters	EAK0027C00AS
3	Large GM Adapter	1-27380	7	Adapter, R-134a Tank	115080
4	GM/Ford	1-27680	7a	O-ring	0617021201
5a	R-134a Adapter, High	1-27180			
5b	O-Ring Kit, R-134a Adapters	EAK0027C00AS			

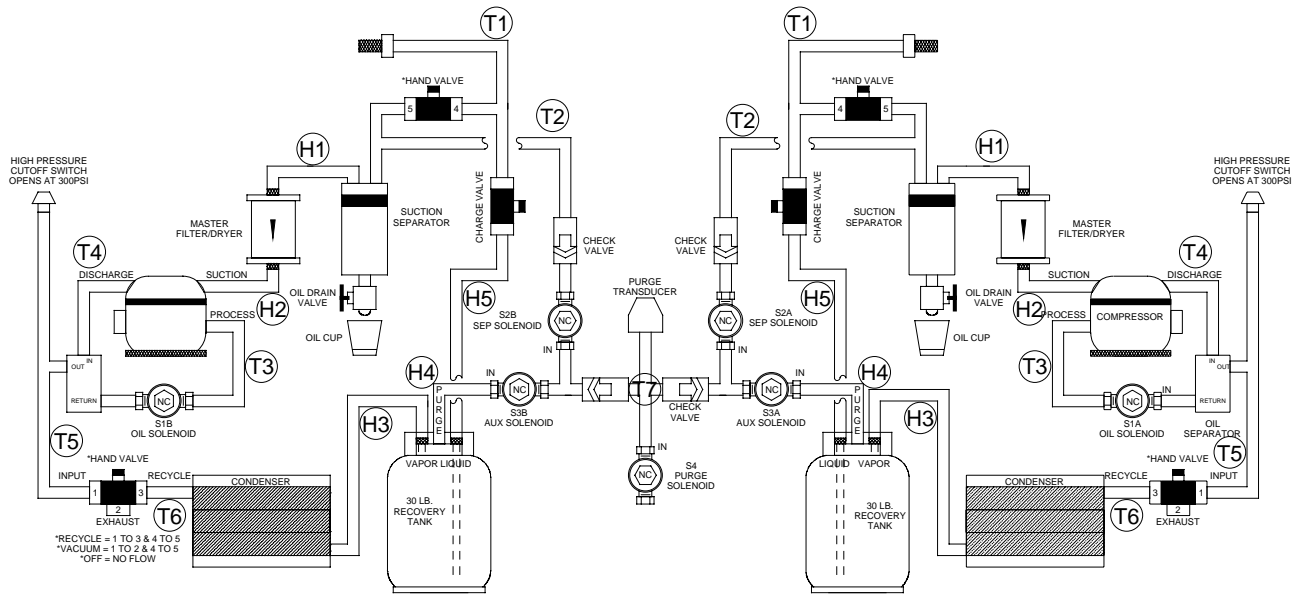
RECOVERY TANK ASSEMBLY (ALL UNITS)



ITEM	DESCRIPTION	PART NUMBER	ITEM	DESCRIPTION	PART NUMBER
1a	Tank, R-12 Recovery	EAA0157C00A	5a	Label, Recycled R-134a	EAL0138C00A
1b	Tank, R-134a Recovery	EAA0158C00A	5b	Label, Recycled R-12	EAL0137C00A
2	Label, Tank Use	EAL0036C00A	6	Valve, Purge	Not Available
3	Strap, Elastic	EAA0157C01A	7	Plug, Tank	Not Available
4	Label, Valve	EAL0037C00A	8	Valve, Tank	Not Available
			9	Knobs, Tank Valve	Not Available

NOTE: NEW TANKS (1999) WILL NOT HAVE PLUG (ITEM #7).

HOSES & TUBING



R-12

R-134a

R-12 SIDE			R-134a SIDE		
ITEM	DESCRIPTION	PART NUMBER	ITEM	DESCRIPTION	PART NUMBER
T1	Tube, Inlet Side	EAH0035L01A	T1	Tube, Inlet Side	EAH0035L00A
T2	Tube, Oil Purge	EAH0035L02A	T2	Tube, Oil Purge	EAH0035L02A
T3	Tube, Oil Return	EAH0035L06A	T3	Tube, Oil Return	EAH0035L05A
T4	Tube, Discharge	EAH0035L03A	T4	Tube, Discharge	EAH0035L04A
T5	Tube, Oil Output	EAH0035L07A	T5	Tube, Oil Output	EAH0035L07A
T6	Tube, Condenser Input	EAH0035L09A	T6	Tube, Condenser Input	EAH0035L08A
T7	Tube, Purge	EAH0035L12A	T7	Tube, Purge	EAH0035L12A
H1	Hose, Blue Filter In	EAH0035L17A	H1	Hose, Blue Filter In	EAH0035L18A
H2	Hose, Blue Filter Out	EAH0035L19A	H2	Hose, Blue Filter Out	EAH0035L20A
H3	Hose, Red R-12 Tank	EAH0035L15A	H3	Hose, Red R-134 Tank	EAH0035L16A
H4	Hose, Yellow R-12 Tank	EAH0035L23A	H4	Hose, Yellow R-134 Tank	EAH0035L24A
H5	Hose, Blue R-12 Tank	EAH0035L25A	H5	Hose, Blue R-134 Tank	EAH0035L26A

PARTS IN ALPHABETICAL ORDER

DESCRIPTION	PART NUMBER	COMMENTS
Adapter, High	1-27180	R-134a Service Coupler
Adapter, Low	1-27280	R-134a Service Coupler
Adapter, R-134a Tank	115080	
Bezel	EAH0013C07A	
Board, Controller	EAP0161L00AR	
Bracket, Gauge Set	EASB086C06A	
Cap, Compressor Start	2-1229	
Cart, Tube	EASC119L05A	Qty 2
Caster	8-21339	w/o Brake
Caster	8-21439	w/Brake
Compressor	EAA0236L00AR	
Condenser	2-2168	
Cord, AC Power	6-3021	
Fan	2-2568	
Ford Adapter	1-27480	
Gauge Set W/Hoses	EAH0013C00A	R-12
Gauge Set W/Hoses	EAH0014C01A	R-134a
Gauge, High Side	EAH0013C02A	R-12
Gauge, High Side	EAH0014C07A	R-134a
Gauge, Low Side	EAH0013C03A	R-12
Gauge, Low Side	EAH0014C08A	R-134a
GM Adapter	1-27580	R-12
GM/Ford	1-27680	R-12
Handle Assy., High	EAH0013C05A	
Handle Assy., Low	EAH0013C04A	
Hook & Nut Assy.	EAH0013C01A	
Hose Assy. with Valve, Blue	EAH0013C10B	R-12
Hose Assy. with Valve, Red	EAH0013C08B	R-12
Hose Assy. with Valve, Yellow	EAH0013C09B	R-12
Hose Assy. with Valve, Yellow	EAH0014C09B	R-134a
Hose, 6" Blue	EAH0013C14B	R-12
Hose, 6" Red	EAH0013C12B	R-12
Hose, 6" Yellow	EAH0013C13B	R-12
Hose, 6" Yellow	EAH0014C05B	R-134a
Hose, 65" Blue, with Valve	EAH0013C06B	R-12
Hose, 65" Red, with Valve	EAH0013C16B	R-12
Hose, 65" Yellow, with Valve	EAH0013C15B	R-12
Hose, 72" Blue	EAH0014C11A	R-134a
Hose, 72" Red	EAH0014C10A	R-134a
Hose, Blue Filter In	EAH0035L17A	
Hose, Blue Filter In	EAH0035L18A	
Hose, Blue Filter Out	EAH0035L19A	
Hose, Blue Filter Out	EAH0035L20A	
Hose, Blue R-12 Tank	EAH0035L25A	
Hose, Blue R-134 Tank	EAH0035L26A	
Hose, Red R-12 Tank	EAH0035L15A	
Hose, Red R-134 Tank	EAH0035L16A	

CHAPTER 4 PARTS

<u>DESCRIPTION</u>	<u>PART NUMBER</u>	<u>COMMENTS</u>
Hose, Yellow R-12 Tank	EAH0035L23A	
Hose, Yellow R-134 Tank	EAH0035L24A	
Kit, Compressor Parts (Less Compressor)	EAK0225L01A	
Kit, Hose Repair	EAK0053C01AB	R-12
Kit, Hose Repair	EAK0053C02AB	R-134a
Kit, R-12 Filter	EAK0030C01AB	
Kit, R-134a Filter	EAK0030C02AB	
Label, Model	EAL0323L02A	
Label, Recycled R-12	EAL0137C00A	
Label, Recycled R-134a	EAL0138C00A	
Label, Tank Use	EAL0036C00A	
Label, Valve	EAL0037C00A	
Large GM Adapter	1-27380	R-12
Load Cell	EAA0232L00A	
O-ring	0617021201	
O-Ring Kit, R-134a Adapters	EAK0027C00AS	
Overlay, Keypad	EAL0323L00B	
Port, R-12 Service Port	1-22280	
Port, R-134 Service Port	1-22180	
Seal Kit	EAK0017C00A	
Seal Kit	EAK0017C00A	
Seat Assy.	EAH0014C04A	
Separator, Oil	1-3385	
Separator, Suction	1-485	
Solenoid	2-6137	
Solenoid	2-6137	
Solenoid, Purge	2-6137	
Strain Relief	8-3719	
Strap, Elastic	EAA0157C01A	
Switch, High Pressure	1-13781	
Tank, R-12 Recovery	EAA0157C00A	
Tank, R-134a Recovery	EAA0158C00A	
Transducer, Purge	2-19966	
Tube, Condenser Input	EAH0035L09A	
Tube, Condenser Input	EAH0035L08A	
Tube, Discharge	EAH0035L03A	
Tube, Discharge	EAH0035L04A	
Tube, Inlet Side	EAH0035L01A	
Tube, Inlet Side	EAH0035L00A	
Tube, Oil Output	EAH0035L07A	
Tube, Oil Purge	EAH0035L02A	
Tube, Oil Return	EAH0035L06A	
Tube, Oil Return	EAH0035L05A	
Tube, Purge	EAH0035L12A	
Valve, Charge	1-4781	
Valve, Check	1-6381	
Valve, Drain	1-3881	
Valve, Recovery/Vac.	1-4681	

PARTS IN NUMERICAL ORDER

PART NUMBER	DESCRIPTION	COMMENTS
0617021201	O-ring	
1-13781	Switch, High Pressure	
115080	Adapter, R-134a Tank	
1-22180	Port, R-134 Service Port	
1-22280	Port, R-12 Service Port	
1-27180	Adapter, High	R-134a Service Coupler
1-27280	Adapter, Low	R-134a Service Coupler
1-27380	Large GM Adapter	R-12
1-27480	Ford Adapter	
1-27580	GM Adapter	R-12
1-27680	GM/Ford	R-12
1-3385	Separator, Oil	
1-3881	Valve, Drain	
1-4681	Valve, Recovery/Vac.	
1-4781	Valve, Charge	
1-485	Separator, Suction	
1-6381	Valve, Check	
2-1229	Cap, Compressor Start	
2-19966	Transducer, Purge	
2-2168	Condenser	
2-2568	Fan	
2-6137	Solenoid	
2-6137	Solenoid	
2-6137	Solenoid, Purge	
6-3021	Cord, AC Power	
8-21339	Caster	w/o Brake
8-21439	Caster	w/Brake
8-3719	Strain Relief	
EAA0157C00A	Tank, R-12 Recovery	
EAA0157C01A	Strap, Elastic	
EAA0158C00A	Tank, R-134a Recovery	
EAA0232L00A	Load Cell	
EAA0236L00AR	Compressor	
EAH0013C00A	Gauge Set W/Hoses	R-12
EAH0013C01A	Hook & Nut Assy.	
EAH0013C02A	Gauge, High Side	R-12
EAH0013C03A	Gauge, Low Side	R-12
EAH0013C04A	Handle Assy., Low	
EAH0013C05A	Handle Assy., High	
EAH0013C06B	Hose, 65" Blue, with Valve	R-12
EAH0013C07A	Bezel	
EAH0013C08B	Hose Assy. with Valve, Red	R-12
EAH0013C09B	Hose Assy. with Valve, Yellow	R-12
EAH0013C10B	Hose Assy. with Valve, Blue	R-12
EAH0013C12B	Hose, 6" Red	R-12
EAH0013C13B	Hose, 6" Yellow	R-12
EAH0013C14B	Hose, 6" Blue	R-12
EAH0013C15B	Hose, 65" Yellow, with Valve	R-12
EAH0013C16B	Hose, 65" Red, with Valve	R-12
EAH0014C01A	Gauge Set W/Hoses	R-134a

CHAPTER 4 PARTS

<u>PART NUMBER</u>	<u>DESCRIPTION</u>	<u>COMMENTS</u>
EAH0014C04A	Seat Assy.	
EAH0014C05B	Hose, 6" Yellow	R-134a
EAH0014C07A	Gauge, High Side	R-134a
EAH0014C08A	Gauge, Low Side	R-134a
EAH0014C09B	Hose Assy. with Valve, Yellow	R-134a
EAH0014C10A	Hose, 72" Red	R-134a
EAH0014C11A	Hose, 72" Blue	R-134a
EAH0035L00A	Tube, Inlet Side	
EAH0035L01A	Tube, Inlet Side	
EAH0035L02A	Tube, Oil Purge	
EAH0035L03A	Tube, Discharge	
EAH0035L04A	Tube, Discharge	
EAH0035L05A	Tube, Oil Return	
EAH0035L06A	Tube, Oil Return	
EAH0035L07A	Tube, Oil Output	
EAH0035L08A	Tube, Condenser Input	
EAH0035L09A	Tube, Condenser Input	
EAH0035L12A	Tube, Purge	
EAH0035L15A	Hose, Red R-12 Tank	
EAH0035L16A	Hose, Red R-134 Tank	
EAH0035L17A	Hose, Blue Filter In	
EAH0035L18A	Hose, Blue Filter In	
EAH0035L19A	Hose, Blue Filter Out	
EAH0035L20A	Hose, Blue Filter Out	
EAH0035L23A	Hose, Yellow R-12 Tank	
EAH0035L24A	Hose, Yellow R-134 Tank	
EAH0035L25A	Hose, Blue R-12 Tank	
EAH0035L26A	Hose, Blue R-134 Tank	
EAK0017C00A	Seal Kit	
EAK0017C00A	Seal Kit	
EAK0027C00AS	O-Ring Kit, R-134a Adapters	
EAK0030C01AB	Kit, R-12 Filter	
EAK0030C02AB	Kit, R-134a Filter	
EAK0053C01AB	Kit, Hose Repair	R-12
EAK0053C02AB	Kit, Hose Repair	R-134a
EAK0225L01A	Kit, Compressor Parts (Less Compressor)	
EAL0036C00A	Label, Tank Use	
EAL0037C00A	Label, Valve	
EAL0137C00A	Label, Recycled R-12	
EAL0138C00A	Label, Recycled R-134a	
EAL0323L00B	Overlay, Keypad	
EAL0323L02A	Label, Model	
EAP0161L00AR	Board, Controller	
EASB086C06A	Bracket, Gauge Set	
EASC119L05A	Cart, Tube	Qty 2

WIRING HARNESSES

<u>PART NUMBER</u>	<u>DESCRIPTION</u>	<u>COMMENTS</u>
EAW0211L00A	High Pressure Switches	
EAW0211L01A	R-134a Solenoids	
EAW0211L02A	R-12 Solenoids	
EAW0211L03A	Compressor and Fans	
EAW0211L04'A	Purge Transducer Cable	

