

# CHAPTER 4

## PARTS

---

### PARTS BY PICTORIAL

This chapter describes assemblies/subassemblies/parts considered replaceable at on-site field installation.

**NOTE:** The following is a breakdown description for Serial Numbers:

Serial Number Location - Rear Cabinet top right hand side.

Example: 0194B0101

01 Month MFG.  
94 Year MFG.  
B Serial Rev.  
0101 Number of Units Built.

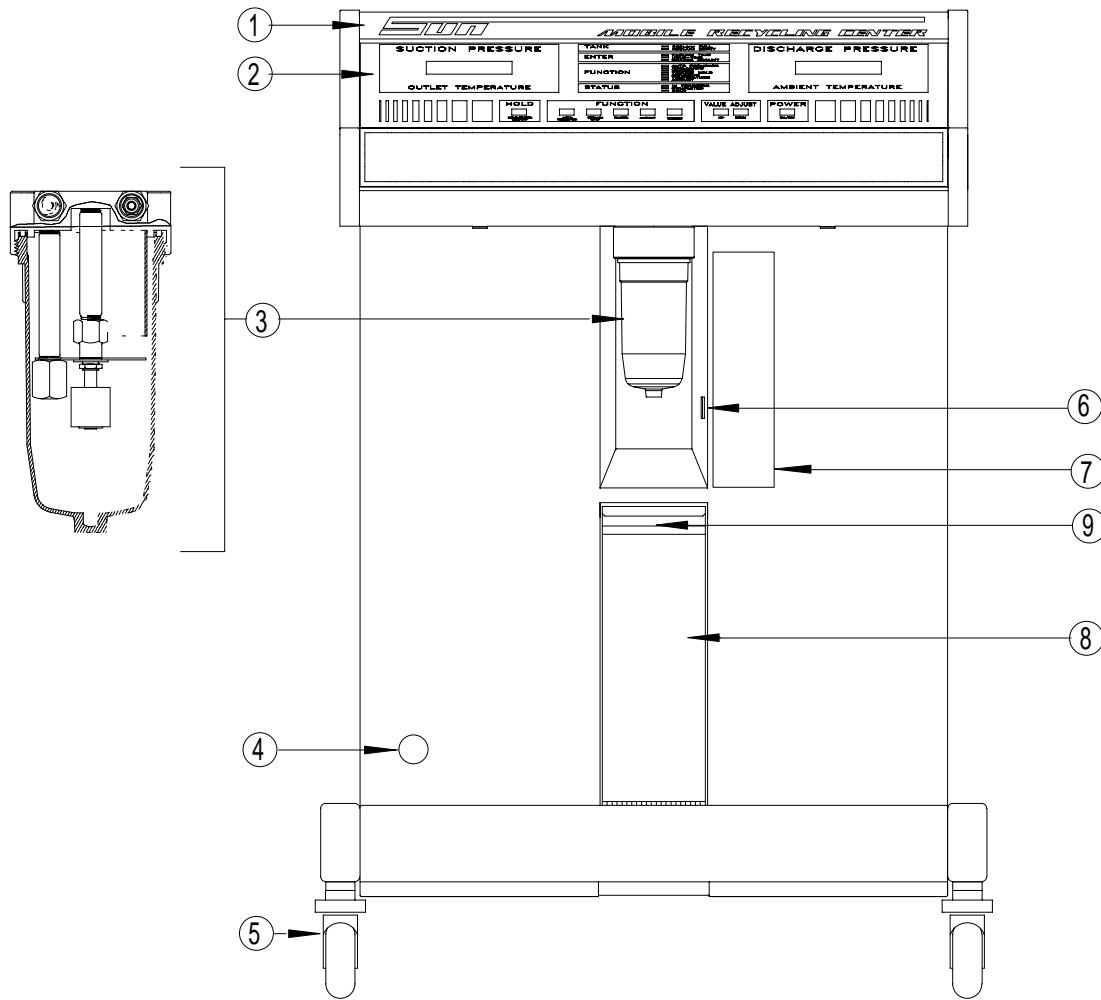
*SERIAL B SOFTWARE STARTS WITH 2. XX ON POWER UP.*

**KEY** NS = Not Shown

\* = Ford

# = Crysler

FRONT VIEW

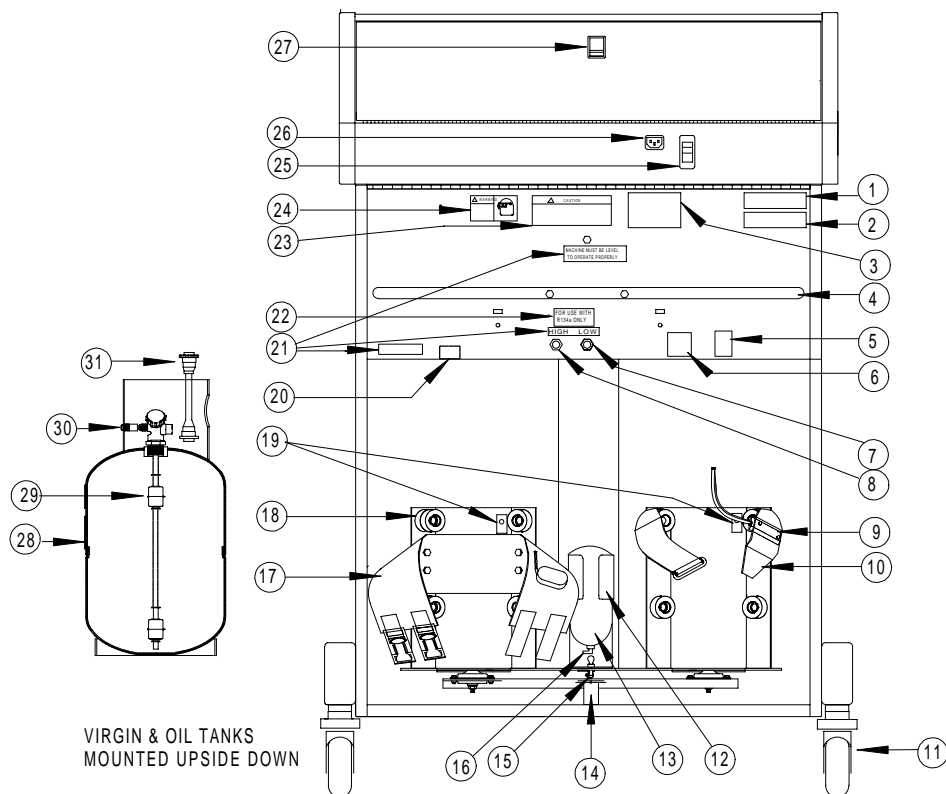


ITEM	DESCRIPTION	PART NUMBER	ITEM	DESCRIPTION	PART NUMBER
1.	Headsign, Sun Decal	0682-0964-01	7.	Label, Service	0682-0969-01
2.	Control Panel, Assy.	See Page 4-5	8a.	Master Filter Kit R12	1095-0178-04
3.	Suction Separator	See Page 4-9	8b.	Master Filter Kit (R134a)½"	1095-0178-03
4.	Moisture Indicator	7009-2346-01	9.	Latch	2397-0203
5a.	Caster, W / Brake (Post)	3645-0054-02	N.S.*	Desiccant Bags (Qty. 10)	0671-1018-02
5b.	Caster, W / Brake (Bolt)	3645-0056-02	N.S.*	Master Filter Drier	7009-2099-01
6.	Switch, Service	0764-0254-01	N.S.*	Gasket	4053-0020-01

**NOTE:** \* = Included in Master Filter Kit

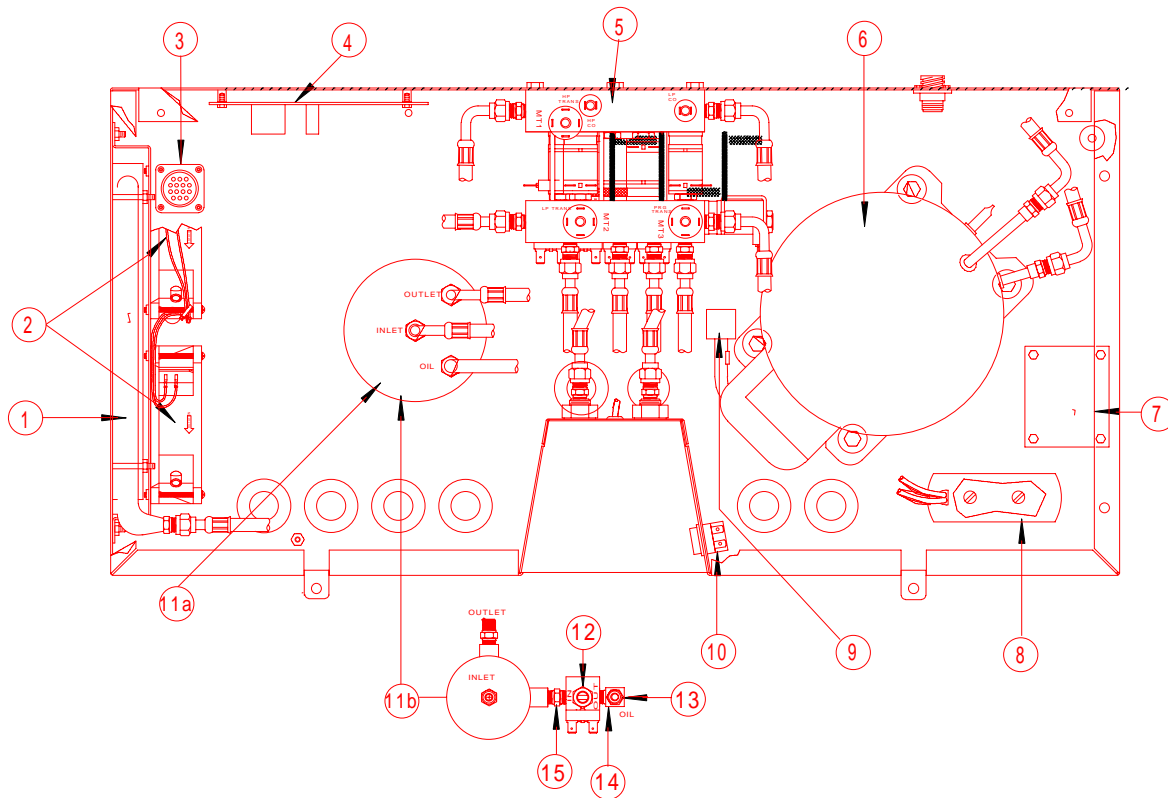
**NOTE:** Casters for Sun version use shaft type. Casters for Snap-On version use post type.

## REAR VIEW



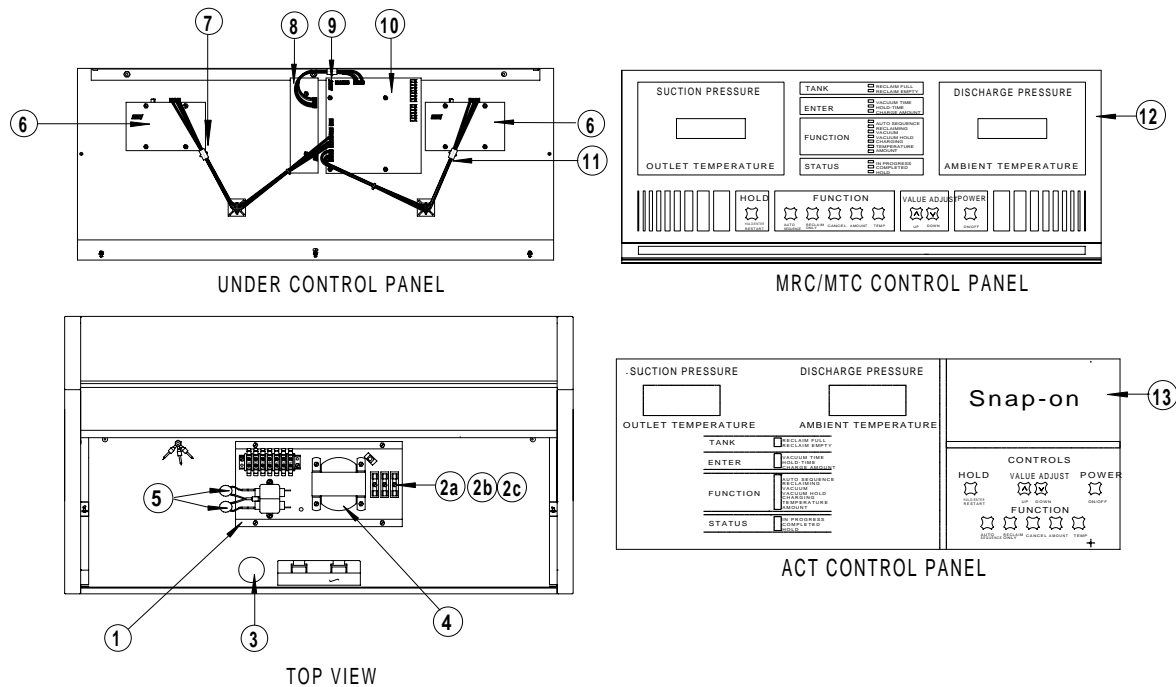
ITEM	DESCRIPTION	PART NUMBER	ITEM	DESCRIPTION	PART NUMBER
1.	Label, "Caution Vent"	0682-1038-01	17a.	Heater Blanket, 110VAC	0518-0024-01
2.	Label, "French Use of"	0682-1039-01	17b.	Heater Blanket, 220VAC	0518-0024-02
3.	Label, "Caution Use of"	0682-0873-01	18.	Bumpers	1489-0017-01
4.	Bracket	7012-1369-01	19.	Switch, Tank (2)	0799-0237-01
5.	Label, "Service Procedure"	0682-0969-01	20.	Connector, CPC 4 Pin	4162-0831-01
6.	Label, "Warning"	0682-0968-01	21.	Label, Info Guide	0682-0970-01
7.	Fitting, R12 Bulkhead	0647-0285-01	22.*	Label, R134a ONLY	0682-0760-01
8.	Fitting, R134a Bulkhead	0647-0286-01	23.	Label, Caution	0682-1052-01
9.	Sensor, Temperature	7009-2405-01	24.	Label, Eye Warning	0682-1051-01
10a.	Strap, Right (30 lb.)	0424-0806-01	25.	Switch, On/Off/	1922-0118-01
10b.	Strap, Right (50 lb.)	0424-0806-02	26.	A.C. socket	4162-7015-01
10c.	Strap, Left	0424-0805-02	27.	Latch	5666-0049-01
11a.	Caster, W/O Brake, (Shaft)	3645-0054-01	28a.	Tank, 30 lb. R12	7009-2331-01
11b.	Caster, W/O Brake, (Bolt)	3645-0056-01	28b.	Tank, 50 lb. R12	7009-2331-02
12a.	Bracket, Oil	7012-1468-01	28c.	Tank, 30 lb. R134a	7009-2331-03
12b.	Screw, Thumb	0675-0157	28d.	Tank, 50 lb. R134a	7009-2331-04
13a.	Cyl. Disposable Oil	0271-0071-01	29.	Switch, Double Float	0764-0253-01
13b.	Cyl. FORD Oil	0271-0072-01	30a.	Filter, R12 Inline	7009-2417-01
13c.	Cyl. R134a Polyol Ester Oil	EAK0163L00A	30b.	Filter, R134a Inline	7009-2418-01
14a.	Load Cell	7009-2335-01	31.	Cable, Tank Float	6004-0760-01
14b.	Mount, Shock (4)	0561-0148-01	<b>N.S.</b>	Cord, A.C.	6001-0197-01
15.	Switch, Oil	2207-0034-01	<b>N.S.</b>	Probe, Temp. (Vehicle)	6004-0777-01
16.	Fitting, 90 Degree	0647-0198-01			

TOP VIEW OF PUMP COMPARTMENT



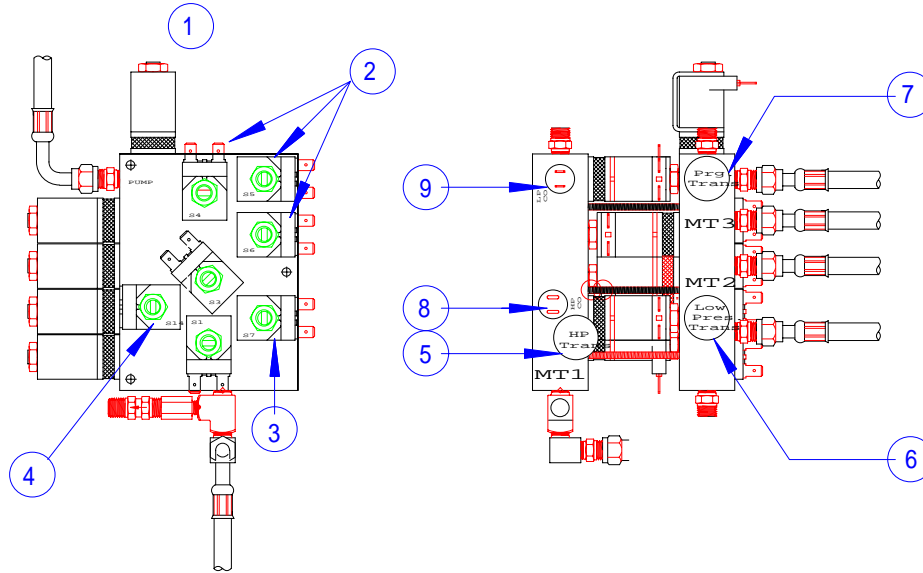
ITEM	DESCRIPTION	PART NUMBER	ITEM	DESCRIPTION	PART NUMBER
1.	Condenser	0111-0703-01	9c.	Relay (On Pump 110v)	0303-0109-07
2a.	Fan, Axial (115v)	0587-0504-01	9d.	Relay (On Pump 220v)	0303-0109-06
2b.	Fan, Axial (220v)	0587-0507-01	9e.	Resistor	0684-0686-01
3.	Connector, 14 Pin	4162-0832-01	10.	Switch, (Momentary)	0764-0254-01
4.	Board, Plumbing	7001-2266-01	11a.	Oil Reservoir, Temprite	7009-2100-02
5.	Manifold Block	See Page 4-6	11b.	Oil Separator, Small	0111-0906-01
6a.	Compressor (110)	7009-2258-02	12.	Solenoid, Separator	0304-0057-01
6b.	Compressor (220)	7009-2258-04	13.	Fitting, Tubo	0647-0206-01
7.	Board, Relay	7001-2230-01	14.	Elbow, 90°	0647-0044
8a.	Capacitor, Start (110v)	0303-0109-09	15.	Nipple, Hex	4982-0076-01
8b.	Capacitor, Start (220v)	0303-0111-04	<b>NS.</b>	Kilxon Overload Protector	0303-0109-08
9a.	Cap (Pump Relay 110v)	7009-2348-01	<b>NS.</b>	Compressor Oil	0681-0179-02
9b.	Cap (Pump Relay 220v)	7009-2348-02		3GS/300 viscosity (24oz.)	

TOP OF HEADFRAME



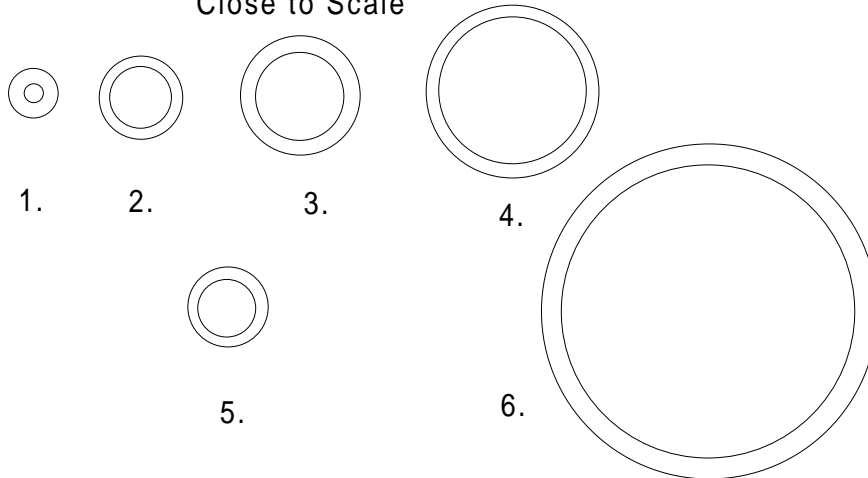
ITEM	DESCRIPTION	PART NUMBER	ITEM	DESCRIPTION	PART NUMBER
1a.	Power Supply (110V.A.C.)	7009-2323-01	7.	W. H. (Rt. Display)	7076-0897-01
1b.	Power Supply (220V.A.C.)	7009-2323-03	8.	Board, Led Driver	7001-2159-01
1c.	Power Supply (100V.A.C.)	7009-2323-02	9.	W.H. (Led Display)	7076-0896-01
2a.	Fuse, F1 (.25 amp)	0739-0119-01	10.	Board, Processor	7001-2188-02
2b.	Fuse, F2 (1 amp)	0739-0040	11.	W.H. (Left Display)	7076-0897-02
2c.	Fuse, F3 (3 amp)	0739-0103	12a.	Control Panel MRC400	7005-2475-01
3.	Alarm	0316-0205-01	12b.	Control Panel MRC450	7005-2496-01
4.	Transformer	7009-2333-01	13.	Control Panel, Snap-on	7005-2503-01
5a.	Varistor (115 V)	7009-1320	<b>N.S.</b>	Cord, A.C.	6001-0197-01
5b.	Varistor (220 V)	7009-1320-02	<b>N.S.</b>	Pem-Nut	0440-0464-02
6.	Board, LCD Driver	7001-2153-01			

**MANIFOLD BLOCK ASSEMBLY**



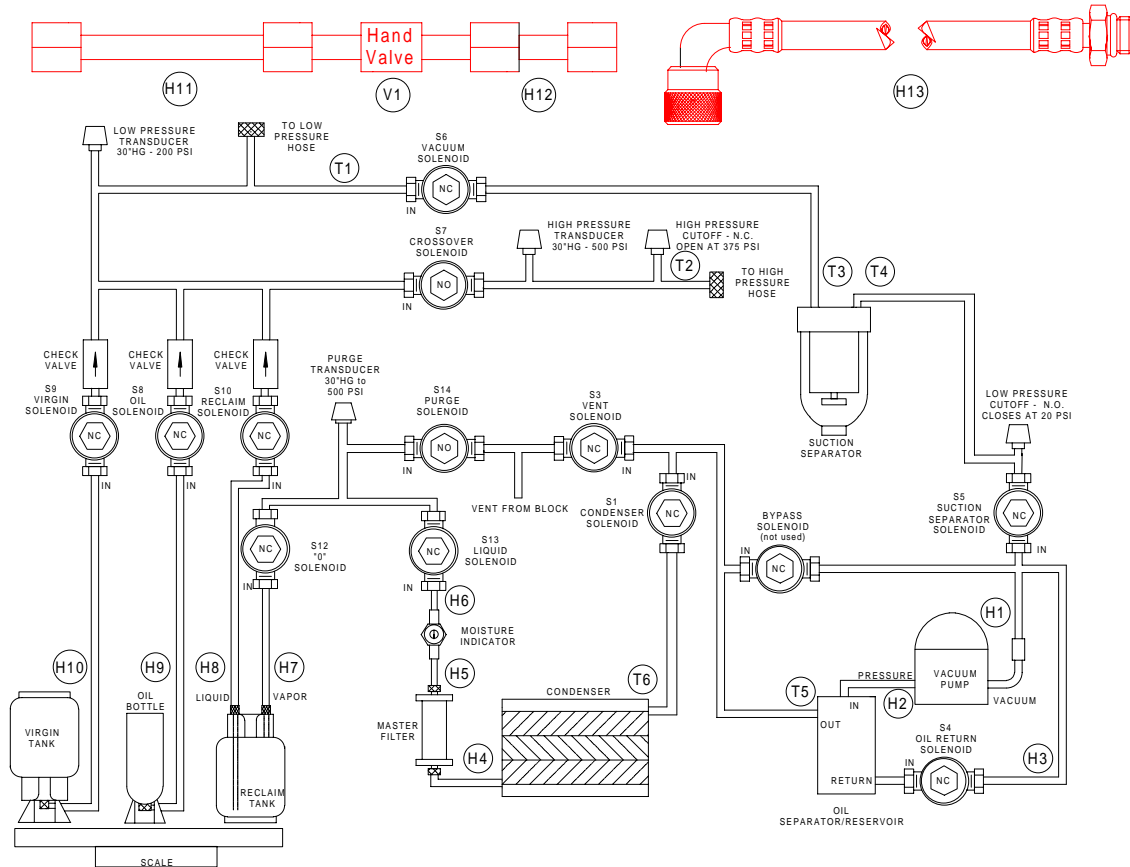
ITEM	DESCRIPTION	PART NUMBER	ITEM	DESCRIPTION	PART NUMBER
1.	Manifold	7009-2393-06	6.	Transducer, Low Pres.	0514-0029-01
2.	Solenoid, N.C.	0304-0905-01	7.	Transducer, Purge Pres.	0514-0030-01
3. *	Solenoid, N.O.(S7 X-Over)	0304-0905-03	8.	Switch, High Pressure	0549-0036-01
4. *	Solenoid, N.C. (Purge)	0304-0905-04	9.	Switch, Low Pressure	0549-0035-01
5.	Transducer, High Pressure	0514-0030-01	<b>N.S.</b>	Plunger, (In Solenoid)	7009-2499-01
	* Refers to Feed Through		<b>N.S.</b>	Allen Screw (Qty.=5)	0938-0160-01

Close to Scale



ITEM	DESCRIPTION	PART NUMBER	ITEM	DESCRIPTION	PART NUMBER
1.	O-Ring (Tiny S7)	0617-0211-01	6.	O-Ring 2oz.	0617-0219-01
2.	O-Ring (Small)	0617-0211-02	<b>NS</b>	O-Ring Block Kit (Qty 42)	0617-0211-07
3.	O-Ring (Medium)	0617-0211-03	<b>NS</b>	Screw, Phillips	0406-0148-01
4.	O-Ring (Large)	0617-0211-04	<b>NS</b>	Permabond	0626-0575-01
5.	O-Ring (Front Blocks)	0617-0211-06	<b>NS</b>	Super Lube, 3 oz.	0681-0193-03

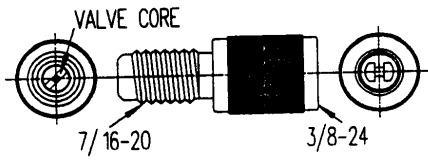
# HOSE PART NUMBERS



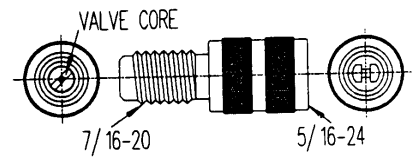
ITEM	DESCRIPTION	PART NUMBER	ITEM	DESCRIPTION	PART NUMBER
T1	Tube (Aluminum)	7009-2427-01	H8a	Hose, 37" R-12 Blue	3988-0298-03
T2	Tube (Aluminum)	7009-2428-01	H8b	Hose, 37" R-134a Blue	3988-0279-03
T3	Tube (Aluminum)	7009-2432-01	H9a	Hose, 33" R-12 Yel.	3988-0270-02
T4	Tube (Aluminum)	7009-2433-01	H9b	Hose, 33" R-134a Yel	3988-0307-01
T5	Tube (Aluminum)	7009-2430-01	H10a	Hose, 46" R-12 Blue	3988-0298-04
T6	Tube (Aluminum)	7009-2429-01	H10b	Hose, 46" R-134a Blue	3988-0279-04
H1	Hose, 18: Red	3988-0283-01	H11a	Hose, 96" Blue (90°)	3988-0292-01
H2	Hose, 24" Red	3988-0283-02	H11b	Hose, 96" Red (90°)	3988-0293-01
H3	Hose, 18"	3988-0283-01	H12a	Hose, 10" Blue	3988-0234-02
H4a	Hose, 22" R-12 Blue	3988-0302-02	H12b	Hose, 10" Red	3988-0233-02
H4b	Hose, 22" R-134a Blue	3988-0279-01	H13a	Hose, 96" Blue (90°)	EAH0001C02A
H5a	Hose, 22" R-12 Blue	3988-0298-01	H13b	Hose, 96" Red (90°)	EAH0001C01A
H5b	Hose, 22" R-134a Blue	3988-0279-01	V1	Valve, Hand	5121-0004-01
H6a	Hose, 36" R-12 Red	3988-0300-01	N.S.	R134a Utility (36")	3988-0278-01
H6b	Hose, 36" R-134a Red	3988-0281-01	N.S.	R134a Utility (8")	3988-0278-02
H7a	Hose, 46" R-12 Red	3988-0298-02			
H7b	Hose, 46" R-134a Red	3988-0279-02			

**NOTE:** The first production run of MRC-450's (0093) were made with ¼" flare fitting, this kit 1095-0276-02 will update unit to current level.

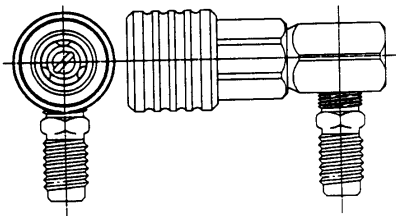
**ADAPTERS / FITTINGS**



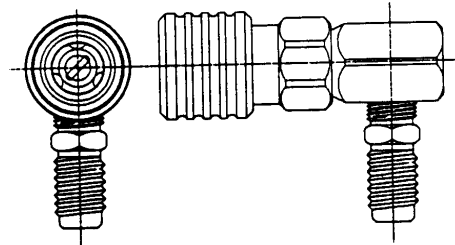
GM ADAPTER  
0647-0196-01



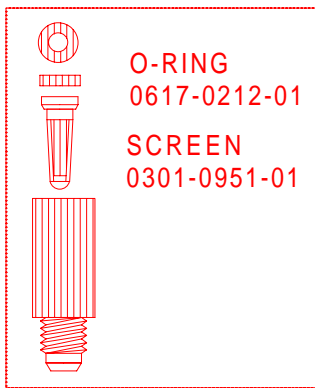
FORD ADAPTER  
0647-0200-01



LARGE GM ADAPTER QUICK DISCONNECT  
0647-0199-01

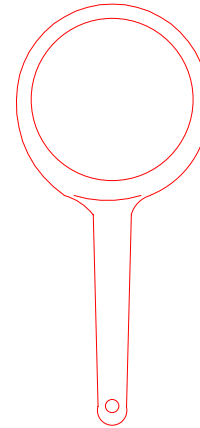


GM/FORD ADAPTER QUICK DISCONNECT  
0647-0197-01



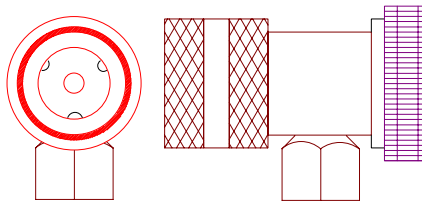
O-RING  
0617-0212-01

SCREEN  
0301-0951-01

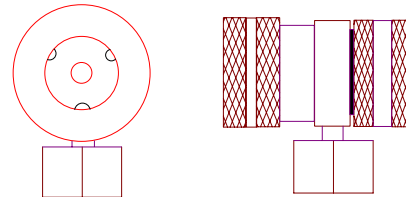


INLINE FILTER  
7009-2417-01 (R-12)  
7009-2418-01 (R134a)

FILTER WRENCH  
0001-0067-01



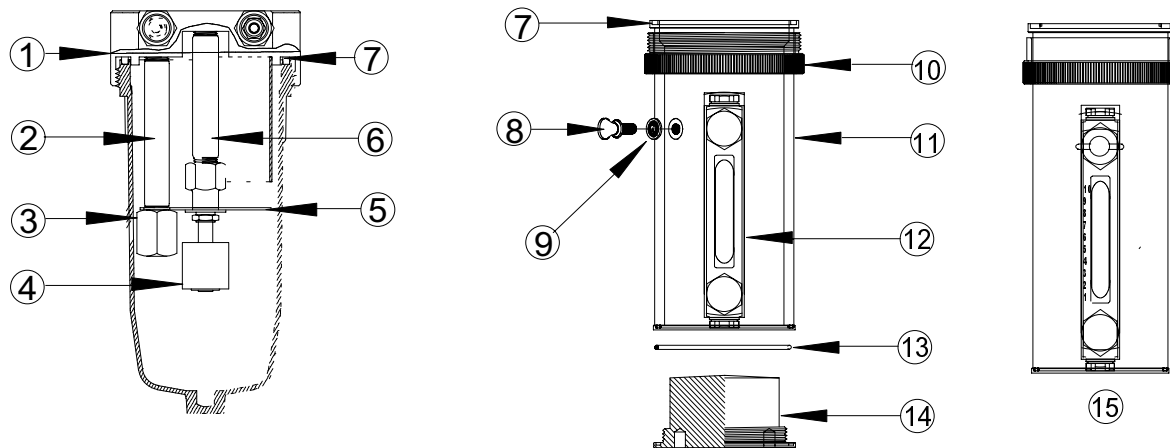
HIGH 0647-0287-07  
LOW 0647-0287-08  
O-Ring Kit EAK0027C00AS



HIGH 0647-0287-09  
LOW 0647-0287-10  
O-Ring Kit ARG 04040



## SUCTION SEPARATOR VIEW



ITEM	DESCRIPTION	EQUI SERV #
1.	Cap and shield	7020-1982-01
2.	Fitting, nipple	4982-0074-01
3.	Atomizer Fitting	7024-0511-01
4a.	Float Switch Assembly	7009-2102-01
4b.	Float	0546-0017-01
5.	Plate	4982-0076-01
6.	Fitting, nipple	4982-0073-01
7.	Gasket, Bowl	4053-0020-01
8.	Thumbscrew	0938-0158-01
9.	Washer	0400-5605-01
10.	Ring, Mounting Bowl	0382-0512-01
11.	Bowl, Suction Separator (Aluminum)	0382-0513-01
12.	Gauge, Liquid Level	0330-0010-01
13.	O-Ring, Bottom Cap	0617-0220-01
14.	Bowl, Bottom Cap	0382-0514-01
15.	Bowl Kit, Metal (Solid bowl)	EAK0071C00AS

## PARTS IN ALPHABETICAL ORDER

<u>NAME</u>	<u>PART NUMBER</u>	<u>400</u>	<u>450</u>	<u>COMMENTS</u>
		<u>4100</u>	<u>4500</u>	
Adapter, FORD	0647-0200-01	X		Standard Screw Fitting
Adapter, GM	0647-0196-01	X		Standard Screw Fitting
Adapter, GM	0647-0199-01	X		Quick Disconnect
Adapter, GM/FORD	0647-0197-01	X		Quick Disconnect
Adapter, High	0647-0287-08		X	Uniweld
Adapter, Low	0647-0287-07		X	Uniweld
Alarm	0316-0205-01	X	X	
Board, LCD Driver	7001-2153-01	X	X	
Board, Led Driver	7001-2159-01	X	X	
Board, Plumbing	7001-2266-01	X	X	
Board, Processor	7001-2188-02	X	X	
Board, Relay	7001-2230-01	X	X	
Bowl	0382-0009-02	X	X	
Bowl, Separator	0382-0513-01	X	X	
Bowl, Bottom Cap	0382-0514-01	X	X	
Bowl, Metal Kit	EAK0071C00AS	X	X	
Bracket	7012-1369-01	X	X	Rear Hose
Bracket, Oil	7012-1468-01	X	X	
Bumpers	1489-0017-01	X	X	
Fitting, Bulkhead	0647-0285-01	X		
Fitting, Bulkhead	0647-0286-01		X	
Cable, Tank Float	6004-0760-01	X	X	
Cap and Shield	7020-1982-01	X	X	Top of S. S. bowl
Capacitor	7009-2348-01	X	X	(Pump Relay 110v)
Capacitor	7009-2348-02	X	X	(Pump Relay 220v)
Capacitor, Start	0303-0109-09	X	X	(110v)
Capacitor, Start	0303-0111-04	X	X	(220v)
Caster, W / Brake	3645-0054-02	X	X	
Caster, W/O Brake	3645-0054-01	X	X	
Caster, W / Brake	3645-0056-02	X	X	
Caster, W/O Brake	3645-0056-01	X	X	
Compressor	7009-2258-02	X	X	(110)
Compressor	7009-2258-04	X	X	(220)
Compressor Oil	0681-0179-02	X	X	3GS/300 viscosity (24oz.)
Condenser	0111-0703-01	X		
Connector, 14 Pin	4162-0832-01	X		
Connector, CPC 4 Pin	4162-0831-01	X		
Control Panel	7005-2475-01	X		MRC-400
Control Panel	7005-2496-01		X	MRC-450
Control Panel	7005-2503-01	X	X	ACT-4100/ACT-4500
Cord, A.C.	6001-0197-01	X	X	
Crush Washer	0647-0296-01	X	X	Copper
Cylinder, Disposable Oil	0271-0071-01	X		
Cylinder, FORD Oil	0271-0072-01	X		
Desiccant Bags	0671-1018-02		X	(Qty. 10)
Desiccant Bags	0671-1026-01	X		(Qty. 10)
Elbow, 90°	0647-0044	X	X	
Fan, Axial	0587-0504-01	X	X	(115v)
Fan, Axial	0587-0507-01	X	X	(220v)
Filter, Inline	7009-2417-01	X		¼" Flare
Filter, Inline	7009-2418-01		X	½" Acme
Fitting, 90 Degree	0647-0198-01	X	X	
Fitting, Atomizer	7024-0511-01	X	X	
Fitting, nipple	4982-0074-01	X	X	In S. S. bowl

<u>NAME</u>	<u>PART NUMBER</u>	400	450	<u>COMMENTS</u>
		4100	4500	
Fitting, Tubo	0647-0206-01	X	X	
Fitting, nipple	4982-0073-01	X	X	In S. S. bowl
Float	0546-0017-01	X	X	
Fuse, F1	0739-0119-01	X	X	(.25 amp)
Fuse, F2	0739-0040	X	X	(1 amp)
Fuse, F3	0739-0103	X	X	(3 amp)
Gasket	4053-0020-01	X	X	
Gauge, Liquid level	0330-0010-01	X	X	Metal Bowl
Headsign, Sun Decal	0682-0964-01	X	X	
Heater Blanket,	0518-0024-01	X	X	110VAC
Heater Blanket,	0518-0024-02	X	X	220VAC
Hose, 10" Blue	3988-0234-02	X	X	Vehicle Hose
Hose, 10" Red	3988-0233-02	X	X	Vehicle Hose
Hose, 18" Red	3988-0283-01	X	X	Input Side of Compressor
Hose, 22" R-12 Blue	3988-0298-01	X		Output Side of Master Filter
Hose, 22" R-12 Blue	3988-0302-02	X		Input Side of Master Filter
Hose, 22" R-134a Blue	3988-0279-01		X	Input & Output Side of Master Filter
Hose, 24" Red	3988-0283-02	X	X	Output Side of Compressor
Hose, 33" R-134a Yel.	3988-0307-01	X		Output Side of Oil Cylinder, R134a
Hose, 33" R-12 Yel	3988-0270-02		X	Output Side of Oil Cylinder, R12
Hose, 36" R-12 Red	3988-0300-01	X		Output Side of Moisture Indicator
Hose, 36" R-134a Red	3988-0281-01		X	Output Side of Moisture Indicator
Hose, 37" R-12 Blue	3988-0298-03	X		Output Side of Recovery Tank
Hose, 37" R-134a Blue	3988-0279-03		X	Output Side of Recovery Tank
Hose, 46" R-12 Blue	3988-0298-04	X		Output Side of Virgin Tank
Hose, 46" R-12 Red	3988-0298-02	X		Input Side of Recovery Tank
Hose, 46" R-134a Blue	3988-0279-04		X	Output Side of Virgin Tank
Hose, 46" R-134a Red	3988-0279-02		X	Input Side of Recovery Tank
Hose, 96" Blue (90°)	3988-0292-01	X		Vehicle Hose
Hose, 96" Blue (90°)	EAH0001C02A		X	Vehicle Hose
Hose, 96" Red (90°)	3988-0293-01	X		Vehicle Hose
Hose, 96" Red (90°)	EAH0001C01A		X	Vehcile Hose
Indicator, Moisture	7009-2346-01	X	X	
Inlet Tube	4982-0074-01	X	X	
Kit, Master Filter	1095-0178-03		X	Filter, 10 Desiccant Bags, & O-Ring
Kit, Master Filter	1095-0178-04	X		Filter, 10 Desiccant Bags, & O-Ring
Kit, O-Ring	ARG04040		X	For R-134a Adapters -09/-10
Kit, O-Ring	EAK0027C00AS		X	For R-134a Adapters -07/-08
Label	0682-0760-01		X	"R134a ONLY"
Label	0682-0873-01	X	X	"Caution Use of"
Label	0682-0968-01	X	X	"Warning"
Label	0682-0969-01	X	X	"Service Procedure"
Label	0682-0970-01	X	X	"Info Guide"
Label	0682-1038-01	X	X	"Caution Vent"
Label	0682-1039-01	X	X	"French Use of"
Label	0682-1051-01	X	X	"Eye Warning"
Label	0682-1052-01	X	X	"Caution"
Latch	5666-0049-01	X	X	
Load Cell	7009-2335-01	X	X	
Master Filter Drier	7009-2099-01	X		
Master Filter Drier	7009-2426-01		X	
Mount, Shock	0561-0148-01	X	X	Qty. (4)
Nipple, Hex	4982-0076-01	X	X	
O-Ring	0617-0211-01	X	X	(Tiny S7)
O-Ring	0617-0211-02	X	X	(Small)
O-Ring	0617-0211-03	X	X	(Medium)
O-Ring	0617-0211-04	X	X	(Large)

**CHAPTER 4 PARTS (B)**

<u>NAME</u>	<u>PART NUMBER</u>	<u>400</u> <u>4100</u>	<u>450</u> <u>4500</u>	<u>COMMENTS</u>
O-Ring	0617-0211-06	X	X	Between the front 2 blocks
O-Ring	0617-0211-07	X	X	O-ring kit for entire block, Qty. 42
O-Ring	0617-0212-01	X		Inline hand valve
O-Ring	0617-0219-01		X	2 ounce oil charge cylinder
O-Ring, Bottom of bowl	0617-0220-01	X	X	Metal bowl
PermaBond	0626-0575-01	X	X	
Plate	4982-0076-01	X	X	In S. S. bowl
Power Supply	7009-2323-01	X	X	(110V.A.C.)
Power Supply	7009-2323-02	X	X	(100V.A.C.)
Power Supply	7009-2323-03	X	X	(220V.A.C.)
Probe, Temp.	6004-0777-01	X	X	(Vehicle)
Relay	0303-0109-06	X	X	(On Pump 220v)
Relay	0303-0109-07	X	X	(On Pump 110v)
Resistor	0684-0686-01	X	X	
Screw, Phillips	0406-0148-01	X	X	
Screw, Thumb	0675-0157	X	X	Oil Bracket
Sensor	7009-2405-01	X	X	Temperature
Solenoid	0304-0905-01	X	X	Normally Closed
Solenoid	0304-0905-03	X	X	Normally Open; (S7 Xover / S14 Purge)
Solenoid, Separator	0304-0057-01	X	X	
Strap, Velcro	0424-0805-02	X	X	Left
Strap, Velcro	0424-0806-01	X	X	Right (30 lb.)
Strap, Velcro	0424-0806-02	X	X	Right (50 lb.)
Suction Separator	7009-2185-01	X	X	
Super Lube	0681-0193-03	X	X	3 oz.
Switch	0549-0035-01	X	X	Low Pressure
Switch	0549-0036-01	X	X	High Pressure
Switch	0764-0253-01	X	X	Double Float
Switch	0764-0254-01	X	X	(Momentary)
Switch	0764-0254-01	X	X	Service
Switch	0799-0237-01	X	X	Tank (2)
Switch	1922-0118-01	X	X	On/Off
Switch	2207-0034-01	X	X	Oil
Switch	7009-2102-01	X	X	Float
Tank, Recovery	7009-2331-01	X		30 lb.
Tank, Recovery	7009-2331-02	X		50 lb.
Tank, Recovery	7009-2331-03	X	X	Vehicle temperature probe
Thumbscrew	0938-0158-01	X	X	Metal Bowl
Tank, Recovery	7009-2331-04		X	50 lb.
Temperature Probe	6004-0777-01	X	X	Vehicle
Transducer	0514-0029-01	X	X	Low Pressure
Transducer	0514-0030-01	X	X	High Pressure
Transducer	0514-0030-01	X	X	Purge Pressure
Transformer	7009-2333-01	X	X	
Tube (Aluminum)	7009-2427-01	X	X	To Low Pressure Side
Tube (Aluminum)	7009-2428-01	X	X	To High Pressure Side
Tube (Aluminum)	7009-2429-01	X	X	Input Side of Condenser
Tube (Aluminum)	7009-2430-01	X	X	Output side of Oil Separator
Tube (Aluminum)	7009-2432-01	X	X	Input Side of Suction Separator Bowl
Tube (Aluminum)	7009-2433-01	X	X	Output Side of Suction Separator Bowl
Valve, Hand	5121-0004-01	X		
Varistor	7009-1320	X	X	(115 V)
Varistor	7009-1320-02	X	X	(220 V)
Wrench, Filter	0001-0067-01	X	X	
Washer	0400-5605-01	X	X	Metal bowl

**PARTS IN NUMERICAL ORDER**

<u>NAME</u>	<u>PART NUMBER</u>	<u>400</u>	<u>450</u>	<u>COMMENTS</u>
		<u>4100</u>	<u>4500</u>	
Wrench, Filter	0001-0067-01	X	X	
Condenser	0111-0703-01	X		
Cylinder, Disposable Oil	0271-0071-01	X		
Cylinder, FORD Oil	0271-0072-01	X		
Relay	0303-0109-06	X	X	(On Pump 220v)
Relay	0303-0109-07	X	X	(On Pump 110v)
Capacitor, Start	0303-0109-09	X	X	(110v)
Capacitor, Start	0303-0111-04	X	X	(220v)
Solenoid, Separator	0304-0057-01	X	X	
Solenoid	0304-0905-01	X	X	Normally Closed
Solenoid	0304-0905-03	X	X	Normally Open; (S7 Xover / S14 Purge)
Alarm	0316-0205-01	X	X	
Gauge, Liquid level	0330-0010-01	X	X	Metal Bowl
Bowl	0382-0009-02	X	X	
Bowl, Separator	0382-0513-01	X	X	
Bowl, Bottom Cap	0382-0514-01	X	X	
Washer	0400-5605-01	X	X	Metal bowl
Screw, Phillips	0406-0148-01	X	X	
Strap, Velcro	0424-0805-02	X	X	Left
Strap, Velcro	0424-0806-01	X	X	Right (30 lb.)
Strap, Velcro	0424-0806-02	X	X	Right (50 lb.)
Transducer	0514-0029-01	X	X	Low Pressure
Transducer	0514-0030-01	X	X	High Pressure
Transducer	0514-0030-01	X	X	Purge Pressure
Heater Blanket,	0518-0024-01	X	X	110VAC
Heater Blanket,	0518-0024-02	X	X	220VAC
Float	0546-0017-01	X	X	
Switch	0549-0035-01	X	X	Low Pressure
Switch	0549-0036-01	X	X	High Pressure
Mount, Shock	0561-0148-01	X	X	Qty. (4)
Fan, Axial	0587-0504-01	X	X	(115v)
Fan, Axial	0587-0507-01	X	X	(220v)
O-Ring	0617-0211-01	X	X	(Tiny S7)
O-Ring	0617-0211-02	X	X	(Small)
O-Ring	0617-0211-03	X	X	(Medium)
O-Ring	0617-0211-04	X	X	(Large)
O-Ring	0617-0211-06	X	X	Between the front 2 blocks
O-Ring	0617-0211-07	X	X	O-ring kit for entire block, Qty. 42
O-Ring	0617-0212-01	X		Inline hand valve
O-Ring	0617-0219-01		X	2 ounce oil charge cylinder
O-Ring, Bottom of bowl	0617-0220-01	X	X	Metal bowl
PermaBond	0626-0575-01	X	X	
Elbow, 90°	0647-0044	X	X	
Adapter, GM	0647-0196-01	X		Standard Screw Fitting
Adapter, GM/FORD	0647-0197-01	X		Quick Disconnect
Fitting, 90 Degree	0647-0198-01	X	X	
Adapter, GM	0647-0199-01	X		Quick Disconnect
Adapter, FORD	0647-0200-01	X		Standard Screw Fitting
Fitting, Tubo	0647-0206-01	X	X	
Fitting, Bulkhead	0647-0285-01	X		
Fitting, Bulkhead	0647-0286-01		X	
Adapter, Low	0647-0287-07		X	Uniweld
Adapter, High	0647-0287-08		X	Uniweld
Crush Washer	0647-0296-01	X	X	Copper
Desiccant Bags	0671-1018-02		X	(Qty. 10)
Desiccant Bags	0671-1026-01	X		(Qty. 10)

CHAPTER 4 PARTS (B)

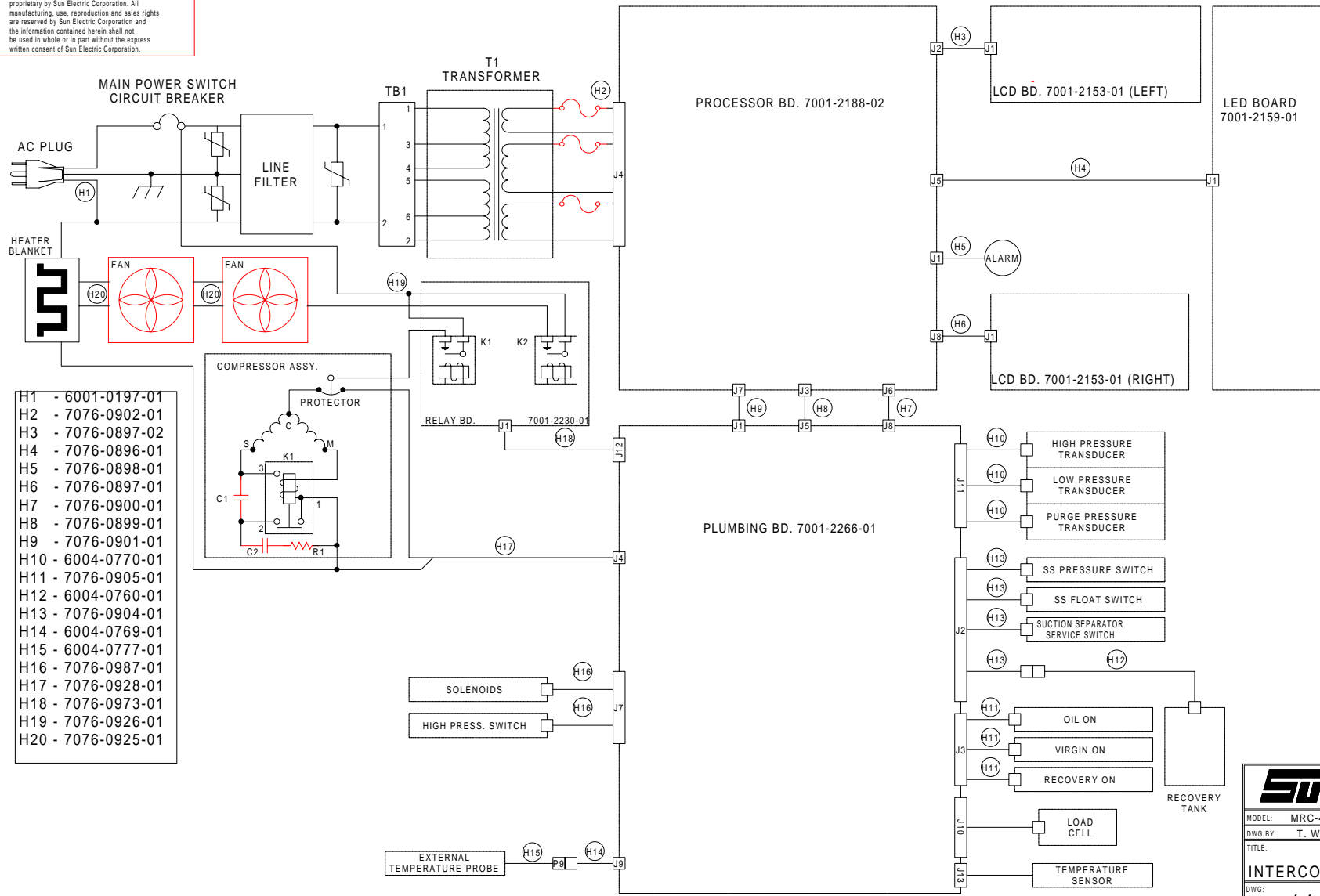
<u>NAME</u>	<u>PART NUMBER</u>	400	450	<u>COMMENTS</u>
		4100	4500	
Screw, Thumb	0675-0157	X	X	Oil Bracket
Compressor Oil	0681-0179-02	X	X	3GS/300 viscosity (24oz.)
Super Lube	0681-0193-03	X	X	3 oz.
Label	0682-0760-01		X	"R134a ONLY"
Label	0682-0873-01	X	X	"Caution Use of"
Headsign, Sun Decal	0682-0964-01	X	X	
Label	0682-0968-01	X	X	"Warning"
Label	0682-0969-01	X	X	"Service Procedure"
Label	0682-0970-01	X	X	"Info Guide"
Label	0682-1038-01	X	X	"Caution Vent"
Label	0682-1039-01	X	X	"French Use of"
Label	0682-1051-01	X	X	"Eye Warning"
Label	0682-1052-01	X	X	"Caution"
Resistor	0684-0686-01	X	X	
Fuse, F2	0739-0040	X	X	(1 amp)
Fuse, F3	0739-0103	X	X	(3 amp)
Fuse, F1	0739-0119-01	X	X	(.25 amp)
Switch	0764-0253-01	X	X	Double Float
Switch	0764-0254-01	X	X	(Momentary)
Switch	0764-0254-01	X	X	Service
Switch	0799-0237-01	X	X	Tank (2)
Thumbscrew	0938-0158-01	X	X	Metal Bowl
Kit, Master Filter	1095-0178-03		X	Filter, 10 Desiccant Bags, & O-Ring
Kit, Master Filter	1095-0178-04	X		Filter, 10 Desiccant Bags, & O-Ring
Bumpers	1489-0017-01	X	X	
Switch	1922-0118-01	X	X	On/Off
Switch	2207-0034-01	X	X	Oil
Caster, W/O Brake	3645-0054-01	X	X	
Caster, W / Brake	3645-0054-02	X	X	
Caster, W/O Brake	3645-0056-01	X	X	
Caster, W / Brake	3645-0056-02	X	X	
Hose, 10" Red	3988-0233-02	X	X	Vehicle Hose
Hose, 10" Blue	3988-0234-02	X	X	Vehicle Hose
Hose, 33" R-12 Yel	3988-0270-02		X	Output Side of Oil Cylinder, R12
Hose, 22" R-134a Blue	3988-0279-01		X	Input & Output Side of Master Filter
Hose, 46" R-134a Red	3988-0279-02		X	Input Side of Recovery Tank
Hose, 37" R-134a Blue	3988-0279-03		X	Output Side of Recovery Tank
Hose, 46" R-134a Blue	3988-0279-04		X	Output Side of Virgin Tank
Hose, 36" R-134a Red	3988-0281-01		X	Output Side of Moisture Indicator
Hose, 18" Red	3988-0283-01	X	X	Input Side of Compressor
Hose, 24" Red	3988-0283-02	X	X	Output Side of Compressor
Hose, 96" Blue (90°)	3988-0292-01	X		Vehicle Hose
Hose, 96" Red (90°)	3988-0293-01	X		Vehicle Hose
Hose, 22" R-12 Blue	3988-0298-01	X		Output Side of Master Filter
Hose, 46" R-12 Red	3988-0298-02	X		Input Side of Recovery Tank
Hose, 37" R-12 Blue	3988-0298-03	X		Output Side of Recovery Tank
Hose, 46" R-12 Blue	3988-0298-04	X		Output Side of Virgin Tank
Hose, 36" R-12 Red	3988-0300-01	X		Output Side of Moisture Indicator
Hose, 22" R-12 Blue	3988-0302-02	X		Input Side of Master Filter
Hose, 33" R-134a Yel.	3988-0307-01	X		Output Side of Oil Cylinder, R134a
Gasket	4053-0020-01	X	X	
Connector, CPC 4 Pin	4162-0831-01	X		
Connector, 14 Pin	4162-0832-01	X		
Fitting, nipple	4982-0073-01	X	X	In S. S. bowl
Fitting, nipple	4982-0074-01	X	X	In S. S. bowl

<u>NAME</u>	<u>PART NUMBER</u>	400	450	<u>COMMENTS</u>
		4100	4500	
Plate	4982-0076-01	X	X	In S. S. bowl
Valve, Hand	5121-0004-01	X		
Latch	5666-0049-01	X	X	
Cord, A.C.	6001-0197-01	X	X	
Cable, Tank Float	6004-0760-01	X	X	
Probe, Temp.	6004-0777-01	X	X	Vehicle
Temperature Probe	6004-0777-01	X	X	Vehicle
Board, LCD Driver	7001-2153-01	X	X	
Board, Led Driver	7001-2159-01	X	X	
Board, Processor	7001-2188-02	X	X	
Board, Relay	7001-2230-01	X	X	
Board, Plumbing	7001-2266-01	X	X	
Control Panel	7005-2475-01	X		MRC-400
Control Panel	7005-2496-01		X	MRC-450
Control Panel	7005-2503-01	X	X	ACT-4100/ACT-4500
Varistor	7009-1320	X	X	(115 V)
Varistor	7009-1320-02	X	X	(220 V)
Master Filter Drier	7009-2099-01	X		
Switch	7009-2102-01	X	X	Float
Suction Separator	7009-2185-01	X	X	
Compressor	7009-2258-02	X	X	(110)
Compressor	7009-2258-04	X	X	(220)
Power Supply	7009-2323-01	X	X	(110V.A.C.)
Power Supply	7009-2323-02	X	X	(100V.A.C.)
Power Supply	7009-2323-03	X	X	(220V.A.C.)
Tank, Recovery	7009-2331-01	X		30 lb.
Tank, Recovery	7009-2331-02	X		50 lb.
Tank, Recovery	7009-2331-03	X	X	Vehicle temperature probe
Tank, Recovery	7009-2331-04		X	50 lb.
Transformer	7009-2333-01	X	X	
Load Cell	7009-2335-01	X	X	
Indicator, Moisture	7009-2346-01	X	X	
Capacitor	7009-2348-01	X	X	(Pump Relay 110v)
Capacitor	7009-2348-02	X	X	(Pump Relay 220v)
Sensor	7009-2405-01	X	X	Temperature
Filter, Inline	7009-2417-01	X		¼" Flare
Filter, Inline	7009-2418-01		X	½" Acme
Master Filter Drier	7009-2426-01		X	
Tube (Aluminum)	7009-2427-01	X	X	To Low Pressure Side
Tube (Aluminum)	7009-2428-01	X	X	To High Pressure Side
Tube (Aluminum)	7009-2429-01	X	X	Input Side of Condenser
Tube (Aluminum)	7009-2430-01	X	X	Output side of Oil Separator
Tube (Aluminum)	7009-2432-01	X	X	Input Side of Suction Separator Bowl
Tube (Aluminum)	7009-2433-01	X	X	Output Side of Suction Separator Bowl
Bracket	7012-1369-01	X	X	Rear Hose
Bracket, Oil	7012-1468-01	X	X	
Cap and Shield	7020-1982-01	X	X	Top of S. S. bowl
Fitting, Atomizer	7024-0511-01	X	X	
Kit, O-Ring	ARG04040		X	For R-134a Adapters -09/-10
Hose, 96" Red (90°)	EAH0001C01A		X	Vehicle Hose
Hose, 96" Blue (90°)	EAH0001C02A		X	Vehicle Hose
Kit, O-Ring	EAK0027C00AS		X	For R-134a Adapters -07/-08
Bowl, Metal Kit	EAK0071C00AS	X	X	





All information contained or disclosed in this document is considered confidential and proprietary by Sun Electric Corporation. All manufacturing, use, reproduction and sales rights are reserved by Sun Electric Corporation and the information contained herein shall not be used in whole or in part without the express written consent of Sun Electric Corporation.



- H1 - 6001-0197-01
- H2 - 7076-0902-01
- H3 - 7076-0897-02
- H4 - 7076-0896-01
- H5 - 7076-0898-01
- H6 - 7076-0897-01
- H7 - 7076-0900-01
- H8 - 7076-0899-01
- H9 - 7076-0901-01
- H10 - 6004-0770-01
- H11 - 7076-0905-01
- H12 - 6004-0760-01
- H13 - 7076-0904-01
- H14 - 6004-0769-01
- H15 - 6004-0777-01
- H16 - 7076-0987-01
- H17 - 7076-0928-01
- H18 - 7076-0973-01
- H19 - 7076-0926-01
- H20 - 7076-0925-01

<b>SUN</b>		SUN ELECTRIC CORPORATION One Sun Parkway Crystal Lake, Illinois 60014 U.S.A.	
MODEL: MRC-400/450	DWG. REV: 0895 REV A.		
DWG BY: T. WILSON	CHK BY: F. ZOFINSKI		
TITLE: "SERIAL B" INTERCONNECTION DIAGRAM			
DWG: 4-1	PAGE: 4-17		

