

CHAPTER 4

PARTS

PARTS BY PICTORIAL

This chapter describes assemblies/subassemblies/parts considered replaceable at on-site field installation.

NOTE: *The following is a breakdown description of the Serial Number.*

Serial # Location – Left hand side (While facing unit).

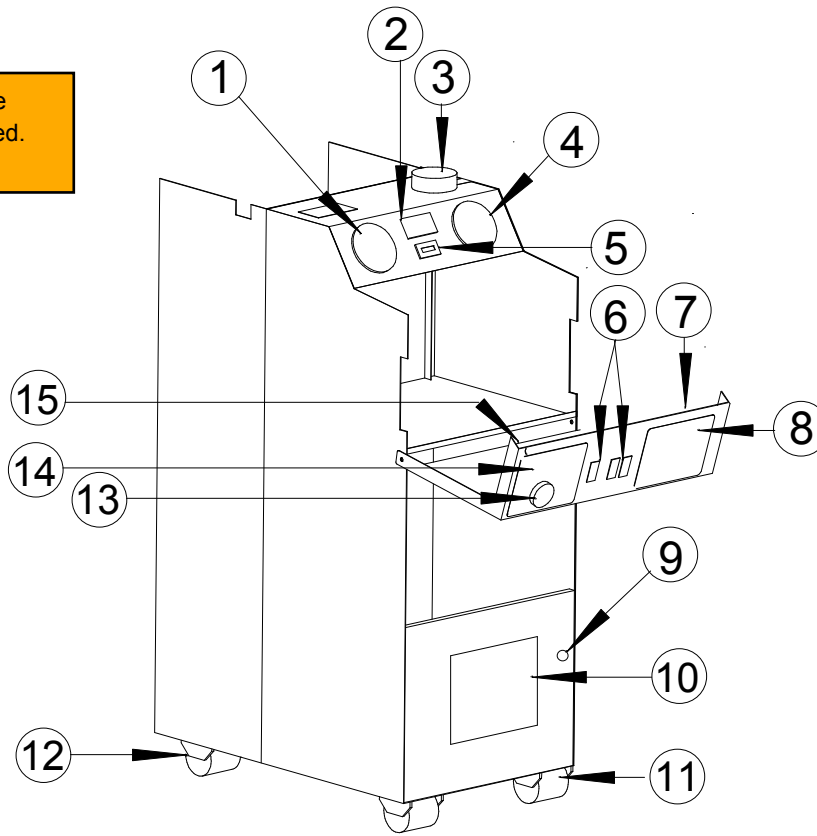
Example

In 1992 to present a 9 digit number was used.

- | | |
|--|--|
| 1. 1 st digit = Year | B=1992, C=1993, ... |
| 2. 2 nd digit = Month | A=January, B=February, ... |
| 3. 3 rd digit = Make | W=White, S=Snap-On, F=Ford, H=Honda |
| 4. 4 th / 5 th digit = Model | 90 - 95 = 1090XL/1095XL |
| 5. 6 th thru 9 th = Lot # | Number of unit coming off production line. |
6. **EXAMPLE:** BAW901301 = Built in 1992, January, W,1090XL/1095XL -, 1301 lot #

FRONT VIEW

The "B" models have another filter not listed. P/N 1-13481



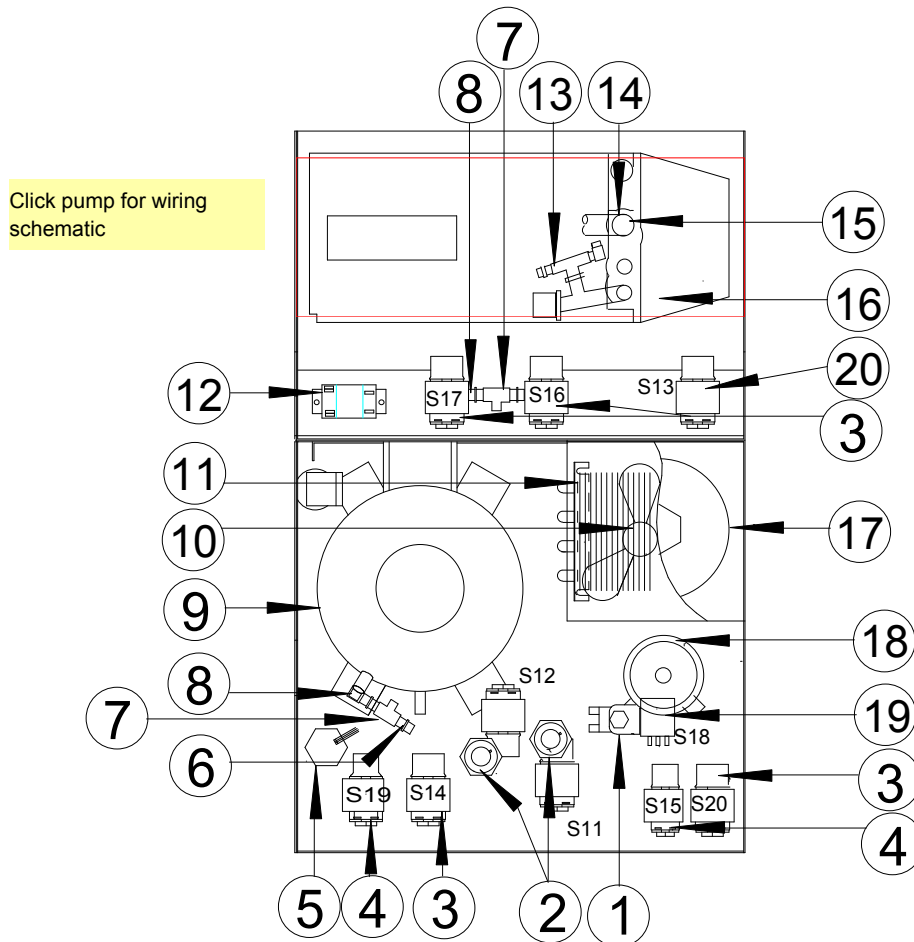
1-5881 Core master Filter

ITEM	DESCRIPTION	PART NUMBER	ITEM	DESCRIPTION	PART NUMBER
1.	Gauge, Low	K15032-SP	8.	Membrane, Recovery Board, Main (Replaces K1101148)	K30006-SP
2a.	Label, Hourmeter (R12)	K99704-SP	9.	Lock & Key	K35070-SP
2b.	Label, Hourmeter (R134a)	K99705-SP	10a.	Decal, R134a (Refrig Mgnt)	K99702-SP
3a.	Filter, desiccant (Pkg. of 2)	K16200-SP	10b.	Decal, R12 (Refrig Mgnt)	K99703-SP
3b.	O-Ring, screen filters	K16208-SP	11.	Caster, w/brake	K35252-SP
3c.	Shell, filter	K16203-01-SP	12.	Caster, w/o brake	K35251-SP
4.	Gauge, High	K15022-SP	13.	Knob, Spinner control	K90050-SP
5.	Meter, Hour	K30276-SP	14.	Membrane, Charging	K30007-SP
6.	Switch, On/Off Rocker (Refrigerant Select)	K30058-SP			
7a.	Board, Recovery (Replaces K1101147)	K1101180-SP	15.	Board, Charging (Replaces K1101146)	K1101179-SP

Replaced By EAP0165L35C

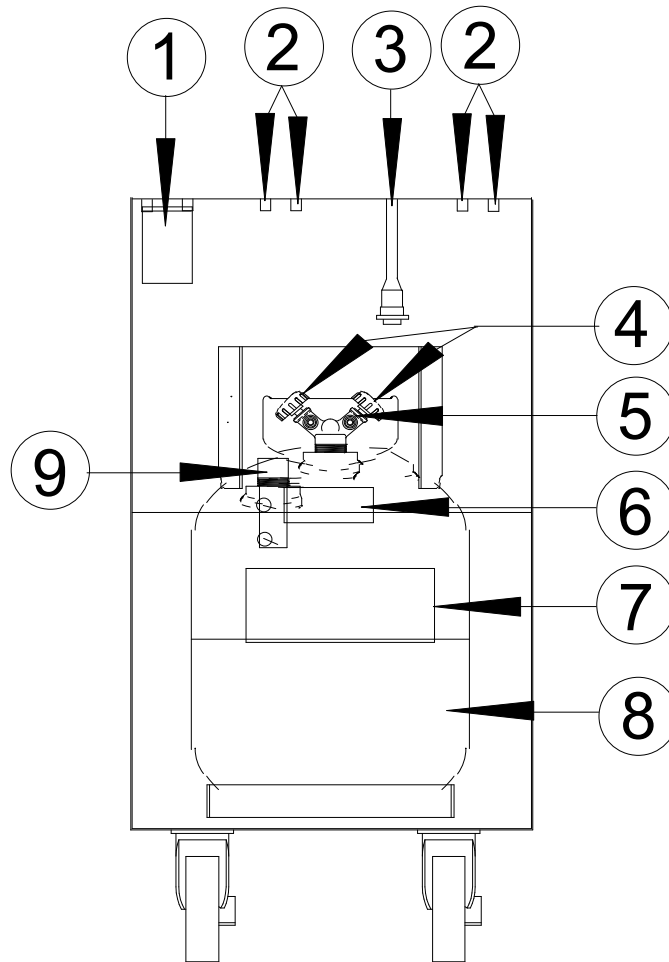
Replaced by EAP0165L30C

TOP VIEW



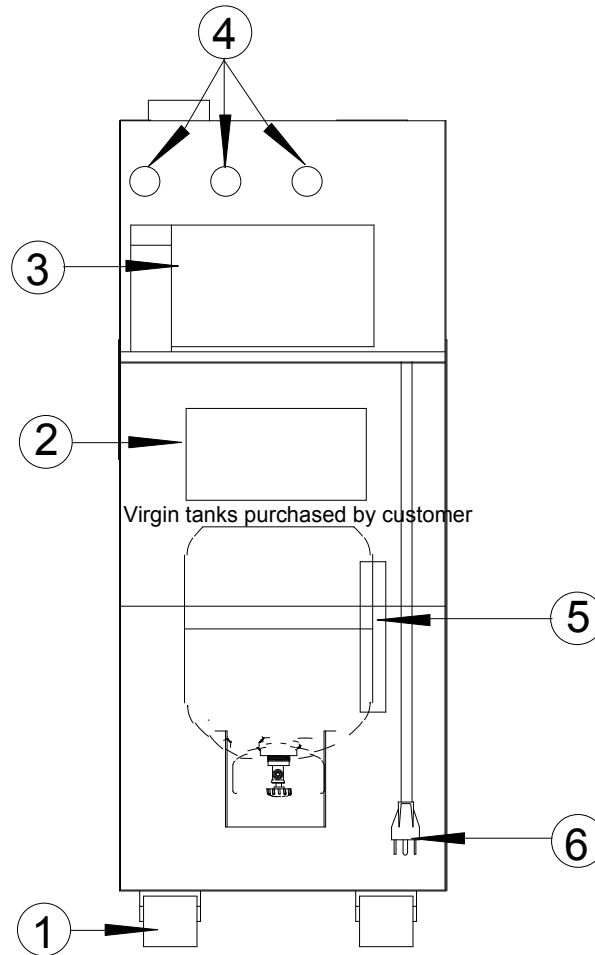
ITEM	DESCRIPTION	PART NUMBER	ITEM	DESCRIPTION	PART NUMBER
1.	Solenoid, (N.O. oil return)	K60058-SP	9.	Compressor, Super 1/3hp	K16010-01-SP
2.	Transducer, Pressure	K3020006-SP	10.	Fan, (4")	K32511-SP
3.	Solenoid, Low Pres. (140psi)	K60060-SP	11.	Condenser	K40002-SP
4.	Solenoid, High, Pres.(250psi)	K60065-SP	12.	Relay, 6-Post	K30323-SP
5a.	Sensor, Mass Flow Temp.	K33107-SP	13.	Pressure Regulator Assy.	See page 4-6
5b.	Sensor, Liquid Optic 1997	K33108-SP	14.	Tube, plastic vent	K50708-SP
5c.	Manifold Assy. 1996	K51053-SP	15.	Elbow, plastic	K10640-SP
5d.	Manifold, Assy. Single 1997	K51063-01-SP	16.	Pump, vacuum 1.5 CFM	K16019-SP
5e.	Manifold, Assy. Dual 1997	K51063-02-SP	NS.	Requires 14.5 oz. of oil	K90808-SP
6.	Fitting, 1/8" to tube w/ o-ring	K10681-SP	17.	Heater blanket, small	K30024-SP
7.	T-fitting	K10653-SP	18.	Oil Separator	K16608-SP
8.	Check valve (Replaces all)	K60119-SP	19.	Switch, High Pres. (435psi)	K30255-SP
			20.	Solenoid, Vacuum	K60205-T-SP

LOWER CABINET



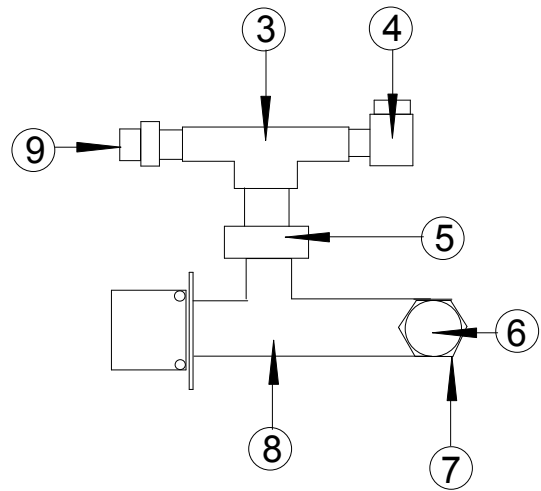
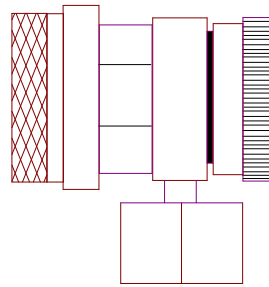
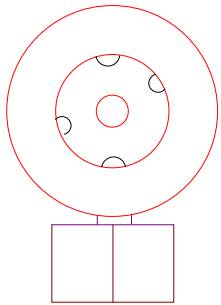
ITEM	DESCRIPTION	PART NUMBER	ITEM	DESCRIPTION	PART NUMBER
1.	Beaker, cup	K90301-SP	6.	Label, (Vapor / Liquid)	K99729-SP
2.	Bulk Head fittings	K10681-SP	7.	Label, (Danger)	K99363-SP
3.	Cord, Tank Full	K1101031-SP	8a.	Tank, (R134a/50lb./Blu)	K16429-SP
4.	Knobs, (Red & Blue)	K90023-SP	8b.	Tank, (R12/50lb.)	K16419-SP
5.	Valves stems	K60192-SP	9.	Board, Tank Full (Probe)	K1101098-SP

BACK VIEW



ITEM	DESCRIPTION	PART NUMBER	ITEM	DESCRIPTION	PART NUMBER
1.	Caster w/o brake	K35251-SP	4.	Solenoid, Low Pres. (140psi)	K60060-SP
2a.	Label, (R134a Virgin)	K99701-SP	5.	Heat Blanket	K30044-SP
2b.	Label, (R12 Virgin)	K99700-SP	6.	Power Cord	K30199-SP
3.	Vacuum, Pump	K16019-SP			

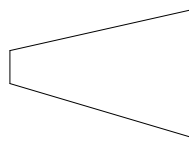
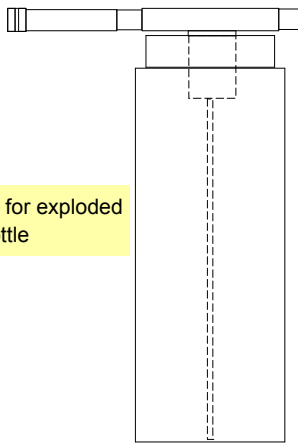
ACCESSORIES



1.

2.

Click here for exploded view of bottle

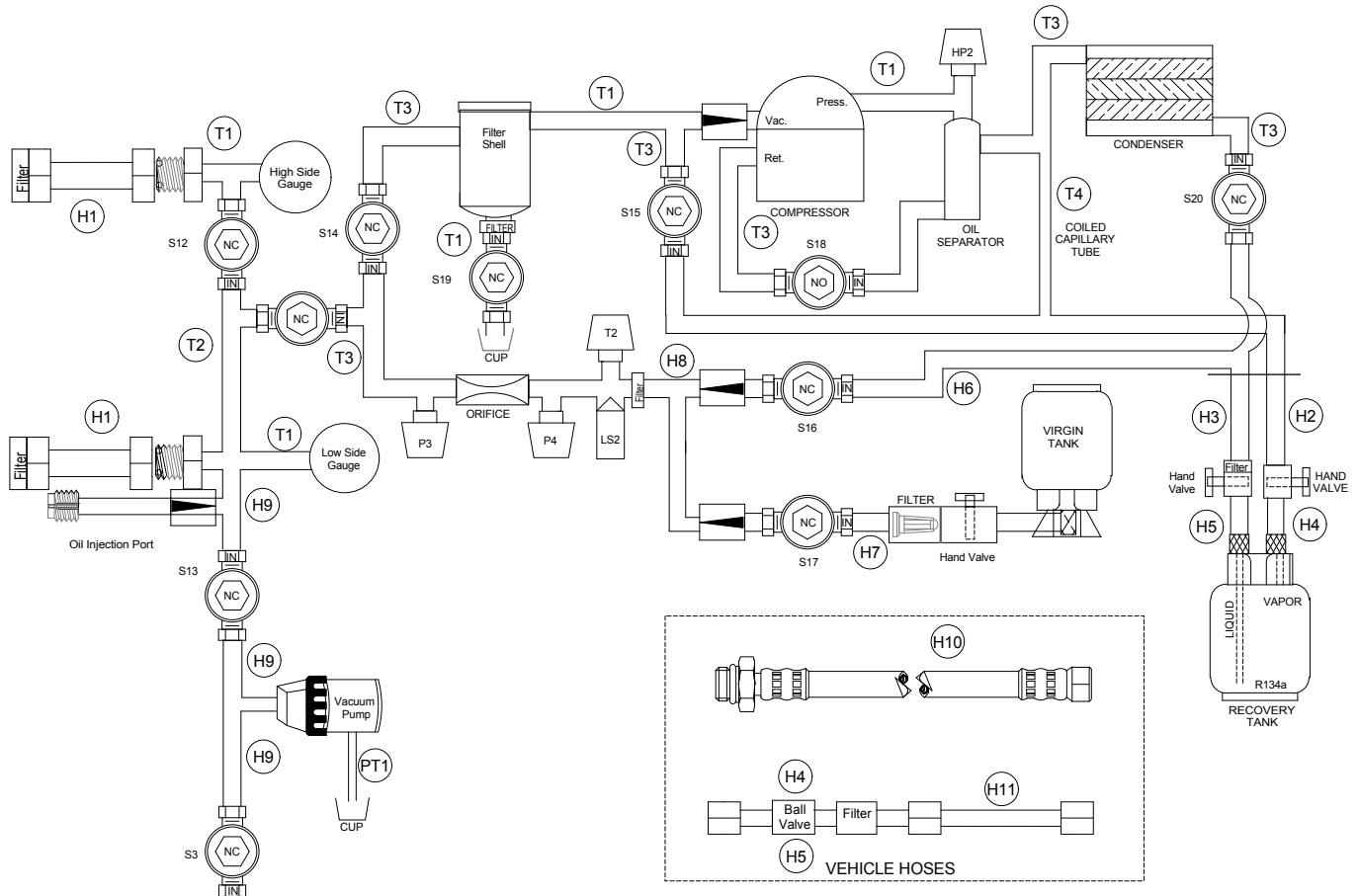


10.

11.

ITEM	DESCRIPTION	PART NUMBER	ITEM	DESCRIPTION	PART NUMBER
1a.	R134a Vehicle Adapter, High	K05000-SP	7.	Reducer, fitting	K10627-SP
1b.	Same as:	0647-0287-07	8.	Pressure Reg. W/T-Fitting	K60440-SP
1c.	R134a Vehicle Adapter, Low	K05100-SP	9.	Fitting	K10680-SP
1d.	Same as:	0647-0287-08	10a.	Oil Charge Bottle, R12	K01550-SP
2.	Pressure Regulator Assy.	K60440-SP	10b.	Oil Charge Bottle, R134a	K01555-SP
3.	T- Fitting	K10653-SP	11.	Micron Filter	K90420-SP
4.	90° Elbow	K50560-SP	NS	Depressor & Gasket Kit for Hose ends R12, R134a (10)	K45351-SP
5.	Fitting	K50587-SP	NS	Cover, Protective	K99082-SP
6.	90° Fitting	K50716-SP	NS	Copper O-Ring	K45030-SP

HOSE AND TUBE PART NUMBERS



Ball valve hoses for R134 are no longer available, nor are the ball valves. The ball valve can be resealed if refrigerant is leaking out around the shutoff stem. Disassemble the valve stem, remove the retaining cap, carefully remove the existing o-ring and reassemble using an 8-6414 o-ring and plenty of Vaseline for lubricant. These hoses can also be converted to Sun type, using the abb valves, the hoses from the 3340 or MRC 450, and 90 deg fittings from sun solenoids.

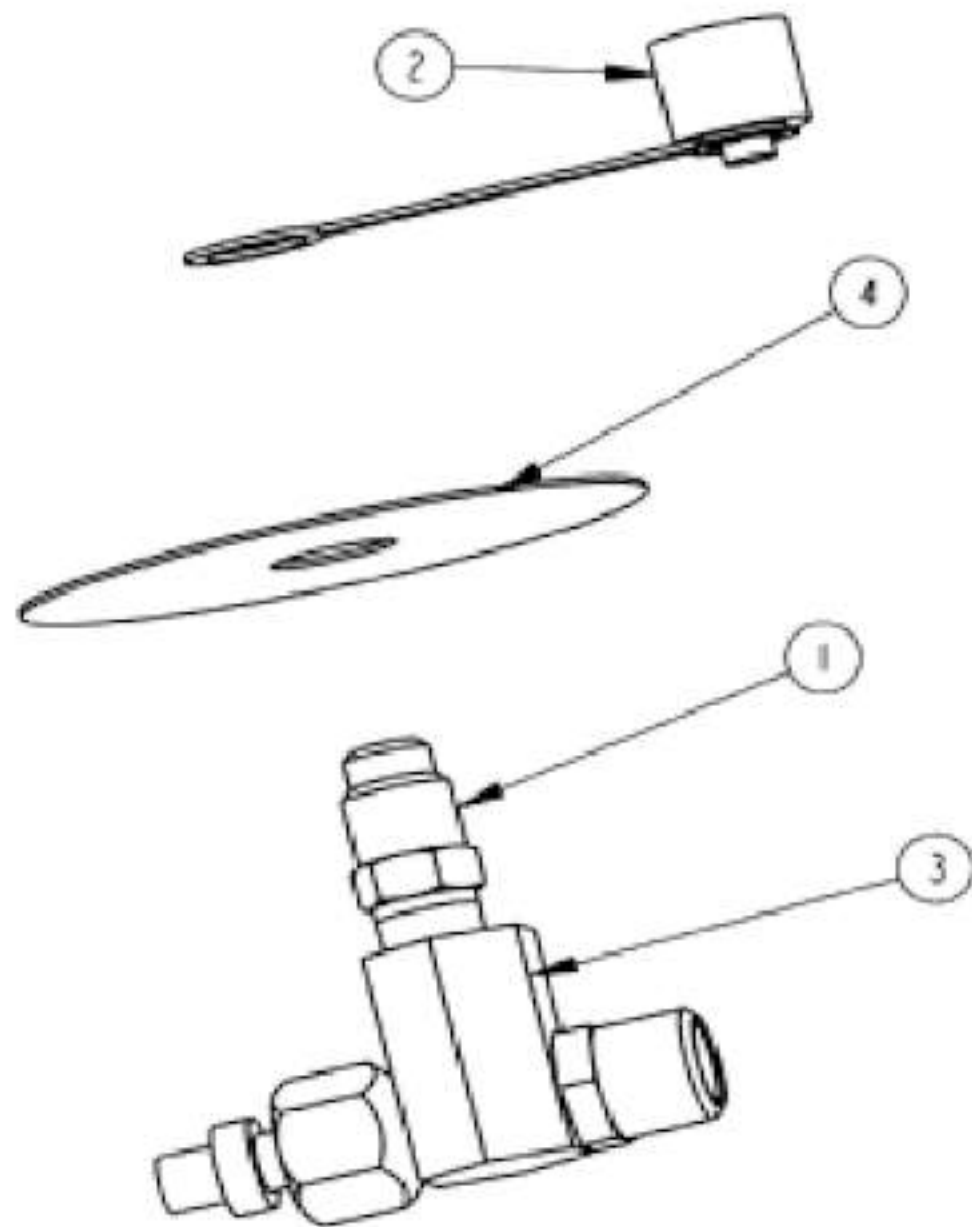
ITEM	DESCRIPTION	PART NUMBER	ITEM	DESCRIPTION	PART NUMBER
H1a.	R134a Hose (Red, 24")	K24107-003-SP	H8.	Hose (Red 21")	K24107-154-SP
H1b.	R134a Hose (Blue, 24")	K24207-309-SP	H9.	Hose, (Yel., 24")	K24207-024-SP
H2a.	Hose,(Red 24" R134a)	K24107-003-SP	H10a.	Hose, Red 8' R134a	K24107-005-SP
H2b.	Hose, (Yel. 24")	K24207-317-SP	H10b.	Hose, Blue 8' R134a	K24007-005-SP
H3a.	Hose, (Blue 24"R12 & R134a)	K24007-003-SP	H11a.	Hose, Red 8' R12	K25107-123-SP
H3b.	Hose, (Yel. 24")	K24207-309-SP	H11b.	Hose, Blue 8' R12	K25007-143-SP
H4a.	Ball Valve & Hose R12, Yel 3"	K60082-SP	T1.	Tube, 18" .085" I.D	K40848-SP
H4b.	Hose, (Red, 3" R12)	K60107-SP	T2.	Tube, 7" .085 I.D.	K40807-SP
H4c.	Hose, (Red, 3" R134a)	K24107-300-SP	T3.	Tube, 12" 085" I.D.	K40852-SP
H5a.	Ball Val.& Hose,R134a Yel.3"	K60083-SP	T4.	Tube, Coiled Capillary 042"	K40833-SP
H5b.	Hose, (Blue, 3" R12)	K60108-SP	PT1	Tube, plastic	K21505-SP
H5c.	Hose, (Blue, 3" R134a)	K24007-300-SP	NS	O-Rings, (Internal)	K45030-SP
H6.	Hose (Blue. 28")	K24007-026-SP	NS	O-Rings, (Exteranl)	K45035-SP
H7a.	Hose (Yel. 24" R134a)	K24207-154-SP	NS	Depressors & o-rings	K45351-SP
H7b.	Hose (Yel. 24" R12)	K25207-146-SP			

TOLERANCES UNLESS OTHERWISE SPECIFIED
 1 PLACE DECIMAL 0.1
 2 PLACE DECIMAL 0.05
 3 PLACE DECIMAL 0.01
 DIMENSIONAL 3 PLACE DECIMAL
 UNLESS OTHERWISE SPECIFIED
 0.001 0.002 0.005

MATL AND/OR FINISH

N/A

THE DATA, DRAWINGS, AND INFORMATION CONTAINED IN THIS DOCUMENT IS CONFIDENTIAL AND THE SOLE PROPERTY OF SNAP-ON DIAGNOSTICS, AND MAY NOT BE REPRODUCED, USED, OR DISCLOSED WITHOUT WRITTEN PERMISSION OF AN OFFICER OF SNAP-ON DIAGNOSTICS. COPYRIGHT 1999



NOTE:

- 1) ASSEMBLY TO BE PER THE ELECTRONIC EQUIPMENT WORKMANSHIP STANDARD EES95.0.1000
- 2) ALL BRASS TO BRASS FITTINGS TO HAVE ONE DROP OF RED LOCTITE APPLIED TO THE SECOND AND THIRD THREADS OF FITTING. TORQUE TO BE AT 65 IN/LBS THEN TIGHTEN TO POSITION FOR PROPER ORIENTATION.

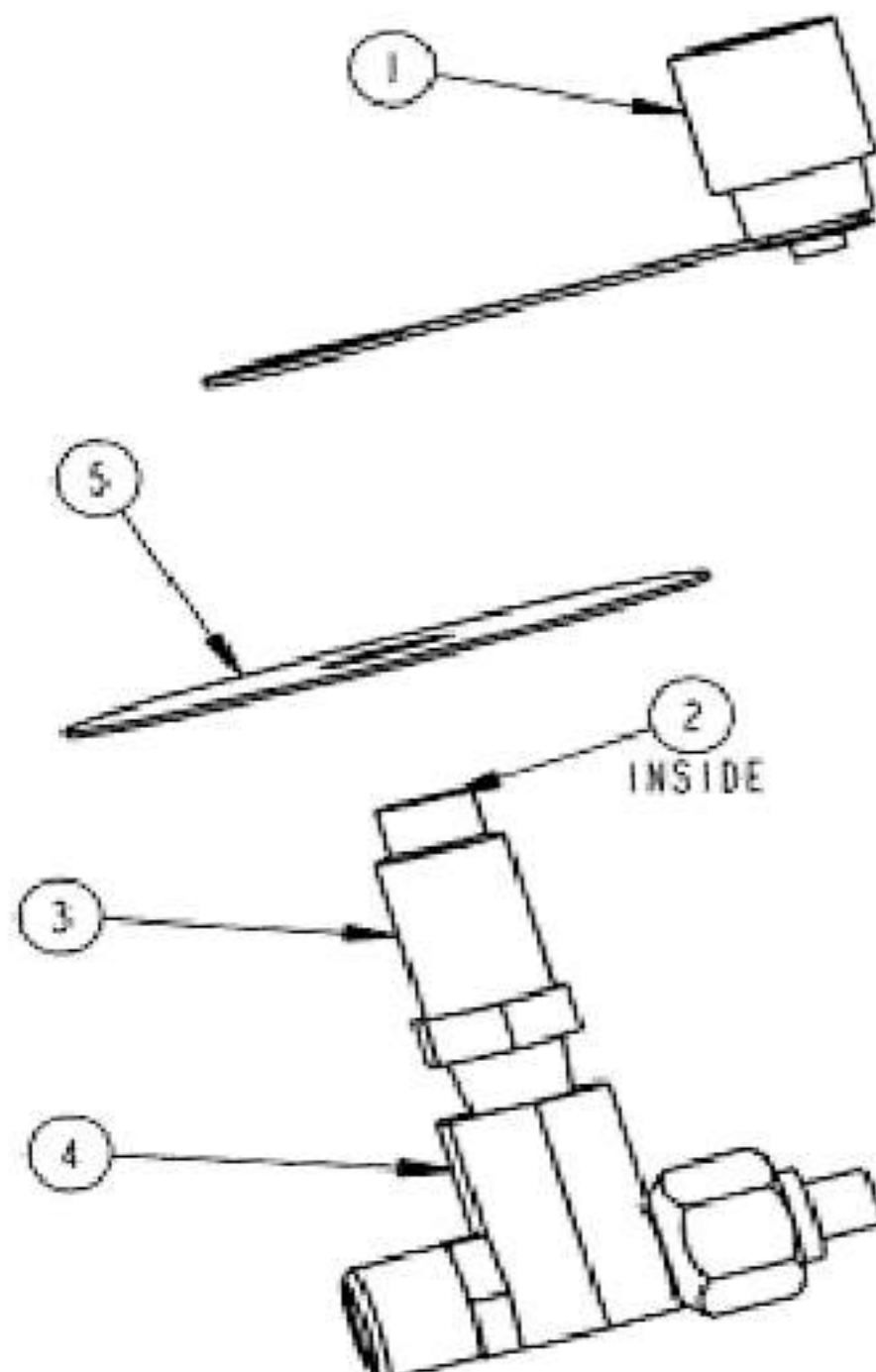
SYM	REQD	PART NO	DESCRIPTION
4	1	EAL0322L42A	WARNING DISC, OIL INJECTION,
3	1	EAA0222L02A	MANIFOLD ASSEMBLY, OIL INJECTOR,
2	1	1-23280	PROTECTIVE CAP, 1/4 INCH FLARE,
1	1	1-17380	BRASS FITTING, 1/8 NPT X 1/4 FLARE,

LTR	PCN NO	DATE	LTR	PCN NO	DATE	CAD NO	APP	DR	CR	DESCRIPTION	PRO/E
						EAA0222L47A	JIM MILLER	JRAY	T.HICKS	ASSY MANIFOLD R12 OIL INJECTION	 LINCOLNSHIRE, IL.
A	99LS377	8/27/99						8/17/99	8/19/99	EES95.0.1000	

TOLERANCES UNLESS OTHERWISE SPECIFIED
 1-2 PLACES DECIMAL
 3-4 PLACES DECIMAL
 5-6 PLACES DECIMAL
 7-8 PLACES DECIMAL
 9-10 PLACES DECIMAL
 UNLESS OTHERWISE SPECIFIED
 0.001
 0.002
 0.005
 0.010
 0.020
 0.050
 0.100

MATL AND/OR FINISH

THE DATA, DRAWINGS, AND INFORMATION CONTAINED IN THIS DOCUMENT IS CONFIDENTIAL AND THE SOLE PROPERTY OF SNAP-ON DIAGNOSTICS, AND MAY NOT BE REPRODUCED, USED, OR DISCLOSED WITHOUT WRITTEN PERMISSION OF AN OFFICER OF SNAP-ON DIAGNOSTICS. COPYRIGHT 1999




NOTE:
 1) ASSEMBLY TO BE PER THE ELECTRONIC EQUIPMENT WORKMANSHIP STANDARD EES95.0.1000
 2) ALL BRASS TO BRASS FITTINGS TO HAVE ONE DROP OF RED LOCTITE APPLIED TO THE SECOND AND THIRD THREADS OF FITTING. TORQUE TO BE AT 65 IN/LBS THEN TIGHTEN TO POSITION FOR PROPER ORIENTATION.

SYM	REQD	PART NO	DESCRIPTION
5	1	EAL0322L42A	WARNING DISC, OIL INJECTION,
4	1	EAA0222L02A	MANIFOLD ASSEMBLY, OIL INJECTOR,
3	1	1-18280	FTG, BLKHD, 1/8 NPT,
2	1	1-6481	VALVE CORE, .
1	1	1-4981	PROTECTIVE CAP, 1/2 INCH ACME,

						SCALE	0.950	ASSY, MANIFOLD R134 OIL INJECT		 LINCOLNSHIRE, IL.	PROJ
						PROJ NO	2012				
						SUPERSEDES	N/A				
						QUAL OCC	EES95.0.1000	DR	JRAY 8/17/99	EAA0222L65A SHEET 1 OF 1	A
A	99LS377	8/27/99				CK	T.HICKS 8/19/99				
LTR	PCH NO	DATE	LTR	PCH NO	DATE	CAD NO	EAA0222L65A	APP	JIM MILLER 8/20/99		

PARTS IN ALPHABETICAL ORDER

<u>DESCRIPTION</u>	<u>PART NUMBER</u>	<u>COMMENTS</u>
90° Elbow	K50560-SP	
90° Fitting	K50716-SP	
Ball Valve & Hose	K60082-SP	R12, Yel 3"
Ball Valve & Hose	K60083-SP	R134a Yel.3"
Ball Valve & hose	K60107-SP	Red, 3"
Beaker, cup	K90301-SP	Plastic
Board, Charging	K1101179-SP	Replaces K1101146
Board, Main	K1101178-SP	Replaces K1101148
Board, Recovery	K1101180-SP	Replaces K1101147
Board, Tank Full	K1101098-SP	In tank
Bulk Head fitting	K10681-SP	Fitting, 1/8" to tube w/ o-ring
Caster,	K35251-SP	w/o/brake
Caster,	K35252-SP	w/brake
Check valve	K60119-SP	Replaces all
Compressor, Super	K16010-01-SP	1/3hp
Condenser	K40002-SP	
Copper O-Ring	K45030-SP	Internal
Cord, Tank Full	K1101031-SP	
Cover, Protective	K99082-SP	
Decal, R12	K99703-SP	R12 Refrigerant Management
Decal, R134a	K99702-SP	R134a Refrigerant Management
Depressor & Gasket Kit	K45351-SP	For Hose ends R12, R134a (10)
Elbow, plastic	K10640-SP	
Fan,	K32511-SP	4"
Filter, desicant 	K16200-SP	Pkg. Of 2
Fitting	K10680-SP	
Fitting	K50587-SP	
Gauge, High	K15022-SP	R12/R134a
Gauge, Low	K15032-SP	R12/R134a
Heat Blanket	K30044-SP	Tank
Heater blanket, small	K30024-SP	Filter
Hose	K24007-003	Blue 24"
Hose	K24007-005-SP	Blue 8' R134a
Hose	K24007-024-SP	Blue, 8' R134a
Hose	K24007-026-SP	Blue. 28"
Hose	K24007-300	Blue, 3" R134a
Hose	K24107-003	Red 24" R134a
Hose	K24107-005-SP	Red 8' R134a
Hose	K24107-021-SP	Red
Hose	K24107-024-SP	Red, 8' R134a
Hose	K24107-154-SP	Red 21"
Hose	K24107-300	Red, 3" R134a
Hose	K24207-012-SP	Yel. 24"
Hose	K24207-024-SP	Yel. 24"
Hose	K24207-154-SP	Yel. 24" R134a
Hose	K24207-309-SP	Blue, 24" R134a
Hose	K24207-317-SP	Yel. 24"
Hose	K25007-024-SP	Blue w/valve & hose
Hose	K25007-026-SP	Blue
Hose	K25007-143-SP	Blue 8' R12
Hose	K25107-024-SP	Red w/valve & hose
Hose	K25107-123-SP	Red 8' R12
Hose	K25207-146-SP	R12 Virgin (Yel)
Hose	K25207-154-SP	Yel.
Hose	K25207-313-SP	Yel w/valve & hose

Hose	K25207-317-SP	Red
Hose,	K60108-SP	Blue, 3" R12
Knob, Spinner control	K90050-SP	
Knobs, both	K90023-SP	On tank
Label	K1-99700-SP	R12 Vrgin
Label	K1-99701-SP	R134a Virgin
Label,	K99363-SP	Danger
Label,	K99704-SP	Hourmeter
Label,	K99705-SP	Hourmeter R134a
Label,	K99729-SP	Vapor / Liquid)
Manifold Assy.	K51053-SP	1996
Manifold, Assy.	K51063-01-SP	Single 1997
Manifold, Assy.	K51063-02-SP	Dual 1997
Membrane,	K30007-SP	Charging 1996
Membrane,	K30006-SP	Recovery
Meter Hour	K30276-SP	
Micron Filter	K90420-SP	
Oil Charge Bottle,	K01550-SP	R12
Oil Charge Bottle,	K01555-SP	R134a
Oil Separator	K16608-SP	
Oil, Vacuum Pump	K90808-SP	32oz
O-Ring, screen filters	K16208-SP	
O-Rings	K45035-SP	Exteranl
Power Cord	K30199-SP	
Pressure Reg.	K60440-SP	W/T-Fitting
Pump, vacuum	K16019-SP	1.5 CFM
R134a Vehicle Adapter,	K05000-SP	Low
R134a Vehicle Adapter,	K05100-SP	High
R134a Vehicle Adapter, High	0647-0287-07	Same as K05100-SP
R134a Vehicle Adapter, Low	0647-0287-08	Same as K05000-SP
Reducer, fitting	K10627-SP	
Relay,	K30323-SP	6-Post
Sensor,	K33107-SP	Mass Flow Temp.
Sensor,	K33108-SP	Liquid Optic 1997
Shell, filter	K16203-01-SP	
Solenoid,	K60058-SP	(N.O. oil return)
Solenoid,	K60060-SP	Low Pres. (140psi)
Solenoid,	K60065-SP	High, Pres.(250psi)
Solenoid,	K60205-T-SP	Vacuum
Switch, High Pres.	K30255-SP	435 psi
Switch, On/Off Rocker	K30058-SP	(Refrigerant Select)
T- Fitting	K10653-SP	
Tank,	K16419-SP	R12 / 50lb.
Tank,	K16429-SP	R134a / 50lb. / Blue
Transducer, Pressure	K3020006-SP	
Tube	K40833-SP	Coiled Capillary 042" I.D.
Tube, 12"	K40852-SP	085" I.D.
Tube, 18"	K40848-SP	.085" I.D.
Tube, 7"	K40807-SP	.085 I.D.
Tube, plastic	K50708-SP	Vent tube
Valves stems	K60192-SP	

PARTS IN NUMERIC ORDER

PART NUMBER	DESCRIPTION	COMMENTS
0647-0287-07	R134a Vehicle Adapter, High	Same as K05100-SP
0647-0287-08	R134a Vehicle Adapter, Low	Same as K05000-SP
K01550-SP	Oil Charge Bottle,	R12
K01555-SP	Oil Charge Bottle,	R134a
K05000-SP	R134a Vehicle Adapter,	Low
K05100-SP	R134a Vehicle Adapter,	High
K10627-SP	Reducer, fitting	
K10640-SP	Elbow, plastic	
K10653-SP	T- Fitting	
K10680-SP	Fitting	
K10681-SP	Bulk Head fitting	Fitting, 1/8" to tube w/ o-ring
K1101031-SP	Cord, Tank Full	
K1101098-SP	Board, Tank Full	In tank
K1101178-SP	Board, Main	Replaces K1101148
K1101179-SP	Board, Charging	Replaces K1101146
K1101180-SP	Board, Recovery	Replaces K1101147
K15022-SP	Gauge, High	R12/R134a
K15032-SP	Gauge, Low	R12/R134a
K16010-01-SP	Compressor, Super	1/3hp
K16019-SP	Pump, vacuum	1.5 CFM
K16200-SP	Filter, desicant	Pkg. Of 2
K16203-01-SP	Shell, filter	
K16208-SP	O-Ring, screen filters	
K16419-SP	Tank,	R12 / 50lb.
K16429-SP	Tank,	R134a / 50lb. / Blue
K16608-SP	Oil Separator	
K1-99700-SP	Label	R12 Virgin
K1-99701-SP	Label	R134a Virgin
K24007-003	Hose	Blue 24"
K24007-005-SP	Hose	Blue 8' R134a
K24007-024-SP	Hose	Blue, 8' R134a
K24007-026-SP	Hose	Blue. 28"
K24007-300	Hose	Blue, 3" R134a
K24107-003	Hose	Red 24" R134a
K24107-005-SP	Hose	Red 8' R134a
K24107-021-SP	Hose	Red
K24107-024-SP	Hose	Red, 8' R134a
K24107-154-SP	Hose	Red 21"
K24107-300	Hose	Red, 3" R134a
K24207-012-SP	Hose	Yel. 24"
K24207-024-SP	Hose	Yel. 24"
K24207-154-SP	Hose	Yel. 24" R134a
K24207-309-SP	Hose	Blue, 24" R134a
K24207-317-SP	Hose	Yel. 24"
K25007-024-SP	Hose	Blue w/valve & hose
K25007-026-SP	Hose	Blue
K25007-143-SP	Hose	Blue 8' R12
K25107-024-SP	Hose	Red w/valve & hose
K25107-123-SP	Hose	Red 8' R12
K25207-146-SP	Hose	R12 Virgin (Yel)
K25207-154-SP	Hose	Yel.
K25207-313-SP	Hose	Yel w/valve & hose
K25207-317-SP	Hose	Red
K30007-SP	Membrane,	Charging 1996
K30006-SP	Membrane,	Recovery

K30024-SP	Heater blanket, small	Filter
K30044-SP	Heat Blanket	Tank
K30058-SP	Switch, On/Off Rocker	(Refrigerant Select)
K30199-SP	Power Cord	
K3020006-SP	Transducer, Pressure	
K30255-SP	Switch, High Pres.	435 psi
K30276-SP	Meter Hour	
K30323-SP	Relay,	6-Post
K32511-SP	Fan,	4"
K33107-SP	Sensor,	Mass Flow Temp.
K33108-SP	Sensor,	Liquid Optic 1997
K35251-SP	Caster,	w/o/brake
K35252-SP	Caster,	w/brake
K40002-SP	Condenser	
K40807-SP	Tube, 7"	.085 I.D.
K40833-SP	Tube	Coiled Capillary 042" I.D.
K40848-SP	Tube, 18"	.085" I.D.
K40852-SP	Tube, 12"	.085" I.D.
K45030-SP	Copper O-Ring	Internal
K45035-SP	O-Rings	External
K45351-SP	Depressor & Gasket Kit	For Hose ends R12, R134a (10)
K50560-SP	90° Elbow	
K50587-SP	Fitting	
K50708-SP	Tube, plastic	Vent tube
K50716-SP	90° Fitting	
K51053-SP	Manifold Assy.	1996
K51063-01-SP	Manifold, Assy.	Single 1997
K51063-02-SP	Manifold, Assy.	Dual 1997
K60058-SP	Solenoid,	(N.O. oil return)
K60060-SP	Solenoid,	Low Pres. (140psi)
K60065-SP	Solenoid,	High, Pres. (250psi)
K60082-SP	Ball Valve & Hose	R12, Yel 3"
K60083-SP	Ball Valve & Hose	R134a Yel.3"
K60107-SP	Ball Valve & hose	Red, 3"
K60108-SP	Hose,	Blue, 3" R12
K60119-SP	Check valve	Replaces all
K60192-SP	Valves stems	
K60205-T-SP	Solenoid	Vacuum
K60440-SP	Pressure Reg.	W/T-Fitting
K90023-SP	Knobs, both	On tank
K90050-SP	Knob, Spinner control	
K90301-SP	Beaker, cup	Plastic
K90420-SP	Micron Filter	
K90808-SP	Oil, Vacuum Pump	32oz
K99082-SP	Cover, Protective	
K99363-SP	Label,	Danger
K99702-SP	Decal, R134a	R134a Refrigerant Management
K99703-SP	Decal, R12	R12 Refrigerant Management
K99704-SP	Label,	Hourmeter
K99705-SP	Label,	Hourmeter R134a
K99729-SP	Label,	Vapor / Liquid)

