

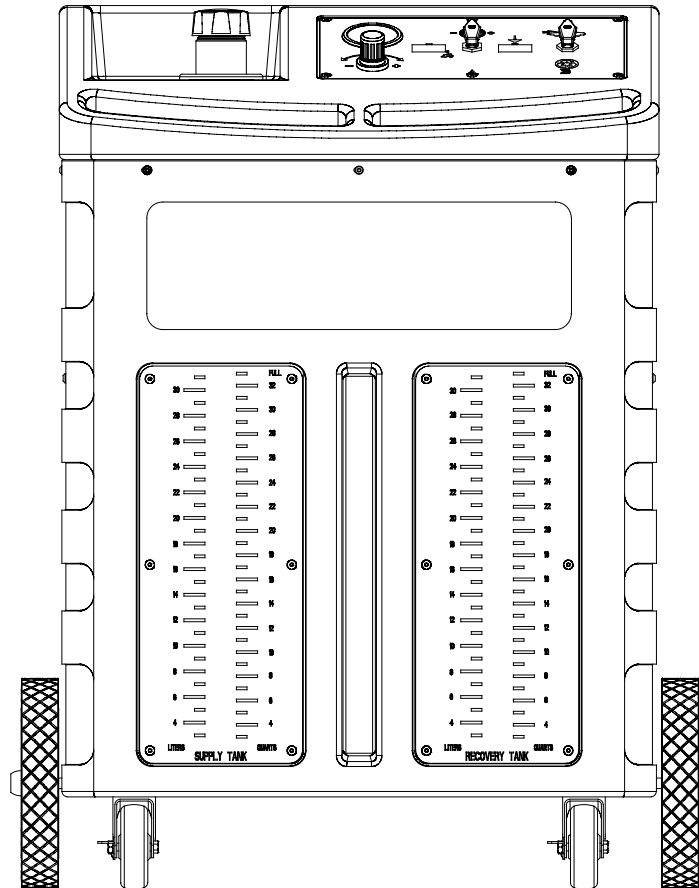
EQUIPMENT SERVICE ON SITE



**DF1000 / SUN
COOLANT EXCHANGE**

**EESE504A & B /
EESE136A & B & C**

Parts Reference Manual



September, 2003

All information contained or disclosed in this document is considered confidential and proprietary by Snap-on Tools Company. All manufacturing, use, reproduction, and sales rights are reserved by Snap-on Tools Company and the information contained herein shall not be used in whole or in part without the express written consent of Snap-on Tools Company.

PARTS

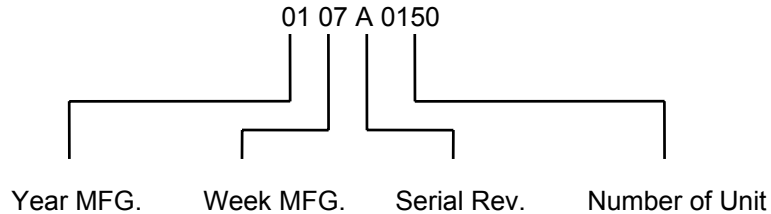
DF-1000 / SUN COOLANT EXCHANGER

This document describes assemblies/subassemblies/parts considered replaceable at on-site field installation.

NOTE: *The following is a breakdown description of the Serial Number.*

Serial # Location – Back, lower right.

Example:



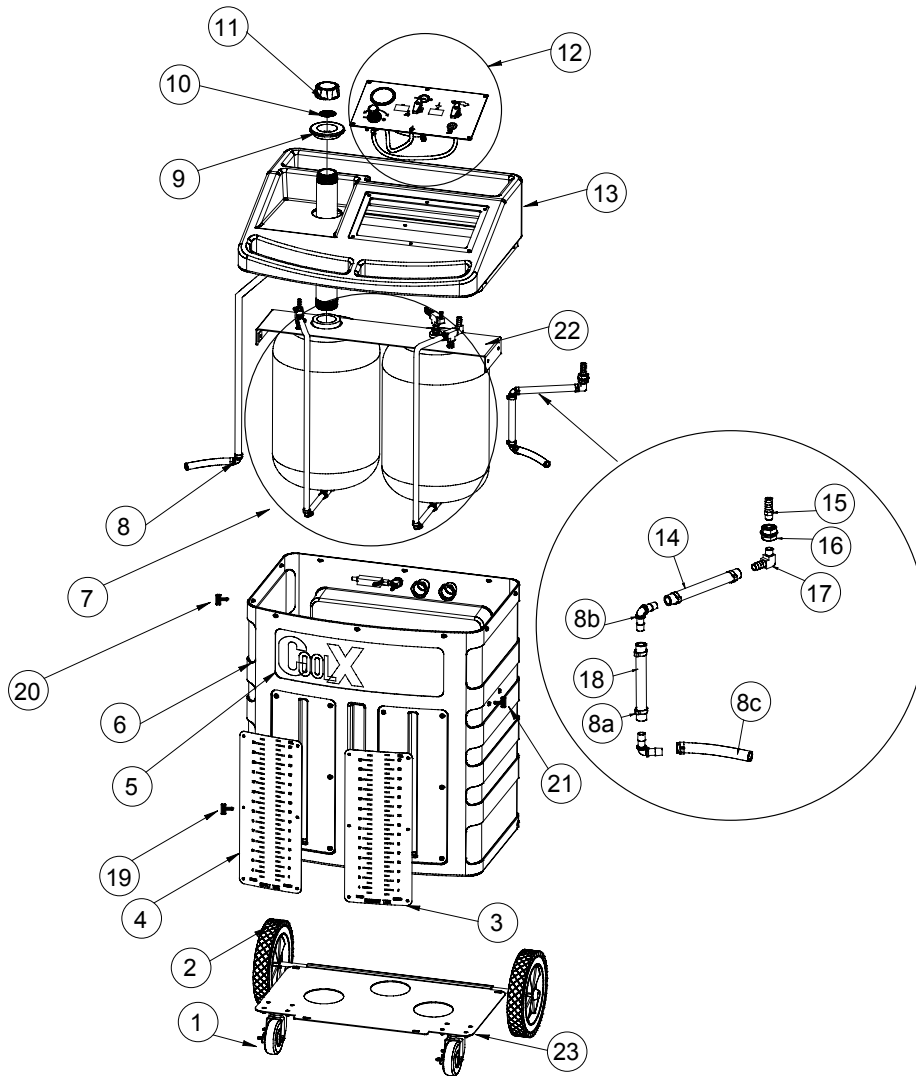
NS: NOT SHOWN IN PICTORIAL

NOTE: *IN HOSE/TUBING THE PART NUMBERING, X-XXXX-XXX, IDENTIFIES THE MATERIAL TYPE IN THE FIRST 5 NUMBERS AND THE LENGTH (IN TENTHS OF AN INCH) IN THE LAST 3 OR 4 NUMBERS. EXAMPLE: 5-4635-1320 IS A BRAIDED HOSE 132 INCHES LONG.*

NOTE: *CERTAIN HOSE CLAMPS REQUIRE A SPECIAL CRIMPING TOOL: SNAP-ON PART NUMBER YA3082. HOWEVER, BAND HOSE CLAMPS 1-2282 (9/16" TO 1-1/16"), OR 1-1482 (1/4" TO 7/8") MAY BE SUBSTITUTED FOR THE CRIMP ON CLAMPS.*

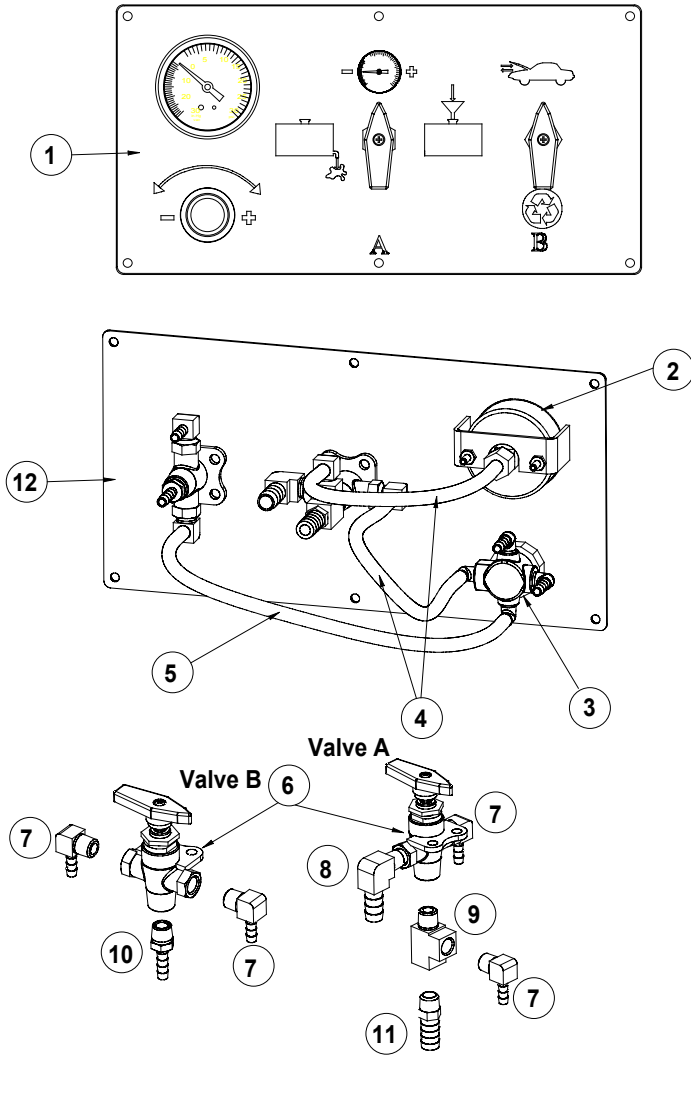
PARTS BY PICTORIAL

FRONT VIEW (EXPLODED)

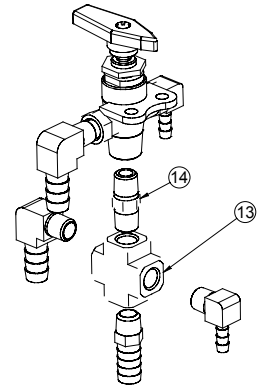


ITEM	DESCRIPTION	PART NUMBER	ITEM	DESCRIPTION	PART NUMBER
1	Caster, 4" w/Brake	3645-0056-02	10	Screen, 1 3/4"	1-14681
2a	Wheel, 10"	8-21539	11	Cap	1-23380
2b	Cap, Hub	8-11539	12	See Control Panel , page 3	
3	Level Indicator, Recovery	EAL0275L41A	13	Cover	EAC0057L06A
4	Level Indicator, Supply	EAL0275L40A	14	Hose, Braided, 1/2" ID	5-4635-070
5	Label, Cool X	EAL0275L42A	15	Fitting, Barbed, 1/4 NPT x 1/2"	1-4379
5a	Label, Sun Coolant Exch.	EAL0275L48A	16	Fitting, Bulkhead	1-11180
6	Cabinet, White	EAC0057L04A	17	Fitting, Barbed, 90°	1-4979
6a	Cabinet, Sun	EAC0057L07A	18	Hose, Braided, 1/2" ID	5-4635-060
7	See Tank Detail , page 5		19	Rivet, Tree	1-3658
8a	Clamp, Hose, 3/4" OD	1-2382	20	Rivet, Plastic	1-15358A
8b	Elbow, 90°, 1/2" OD	1-7379	21	Screw, Cap	1-4009
8c	Hose, Braided, 1/2" ID	5-4635-058	22	Bracket, Tank Mounting	EAS2009L46A
8d	Hose, Braided, 1/2" ID	5-4635-480	23	Plate, Base, Mounting	EAS2009L54A
9	Grommet, 2"	8-7016			

CONTROL PANEL



NOTE: Model "C" and later use a slightly different configuration for the "A" Valve, as shown below. Only the unique parts are numbered.

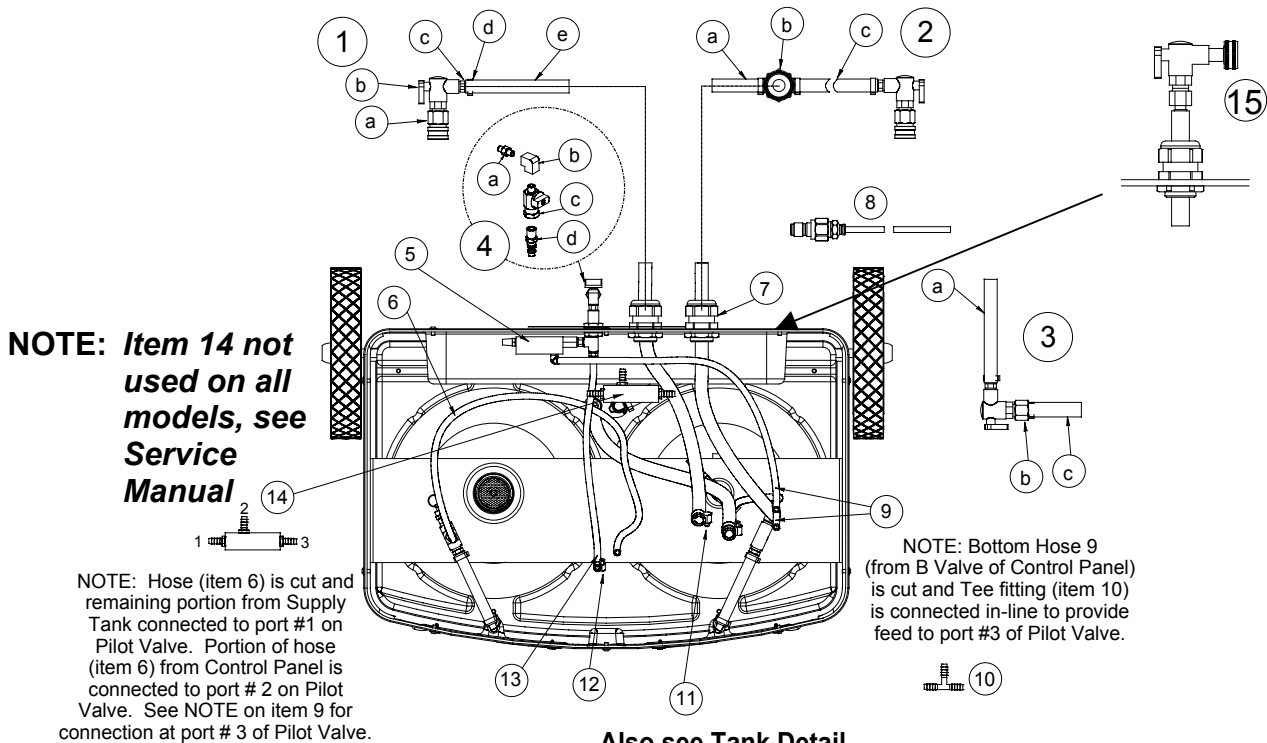


ITEM	DESCRIPTION	PART NUMBER
1a	Label, Control Panel (A models/ w/o water flush)	EAL0275L45A
1b	Label, Control Panel (B/C models w/ water flush)	EAL0275L46A
2	Gauge Assembly	EAA0196L39AR
2a	Gauge, only	8-3720
2b	Fitting, Barb	1-1048
3	Regulator Assembly	EAA0196L38AR
3a	Regulator, Air	1-15281
3b	Elbow, 90°	1-5679
3c	Nut, metal (regulator)	1-15281-1
4	Tubing	5W3335-080
5	Tubing	5W3335-130

ITEM	DESCRIPTION	PART NUMBER
6	Valve, 3-Way	1-14581
7	Fitting, Barbed, 1/4"	1-26780
8	Fitting, Barbed, 1/2"	1-14581
9	Tee	1-26880
10	Fitting, Barbed, 1/4"	1-5579
11	Fitting, Barbed, 1/2"	1-4379
12	Panel, Control, w/o label	EAS2009L53A
13	Fitting, Cross Tee	1-23180
14	Fitting, Hex Nipple, 1/4 NPT	1-2280
N/S	Rivet, Plastic	1-14958
N/S	Clamp, Hose, 1/4" 7/8"	1-1482

TOP VIEW

NOTE: Item 15 only found on Models "C" and later



NOTE: Item 14 not used on all models, see Service Manual

NOTE: Hose (item 6) is cut and remaining portion from Supply Tank connected to port #1 on Pilot Valve. Portion of hose (item 6) from Control Panel is connected to port # 2 on Pilot Valve. See NOTE on item 9 for connection at port # 3 of Pilot Valve.

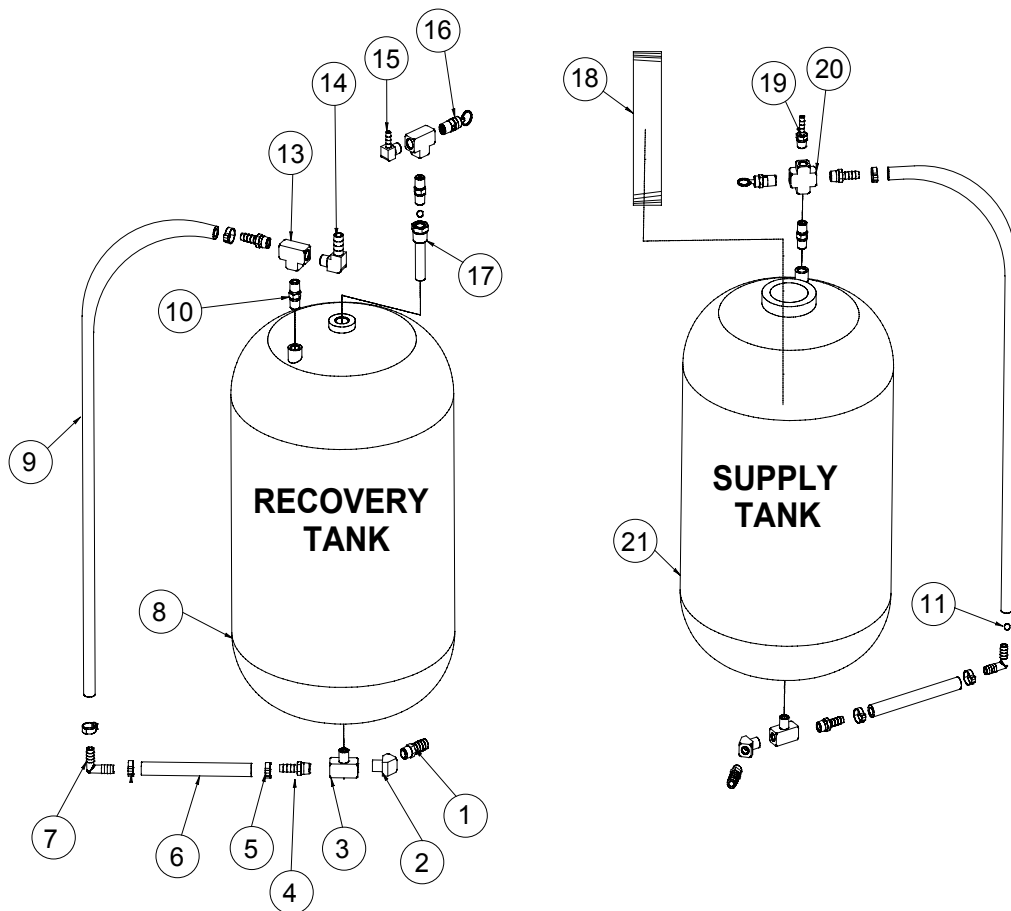
NOTE: Bottom Hose 9 (from B Valve of Control Panel) is cut and Tee fitting (item 10) is connected in-line to provide feed to port #3 of Pilot Valve.

Also see Tank Detail, next page, for more plumbing detail

NOTE: IN HOSE/TUBING THE PART NUMBERING, X-XXXX-XXX, IDENTIFIES THE MATERIAL TYPE IN THE FIRST 5 NUMBERS AND THE LENGTH (IN TENTHS OF AN INCH) IN THE LAST 3 OR 4 NUMBERS. EXAMPLE: 5-4635-1320 IS A BRAIDED HOSE 132 INCHES LONG.

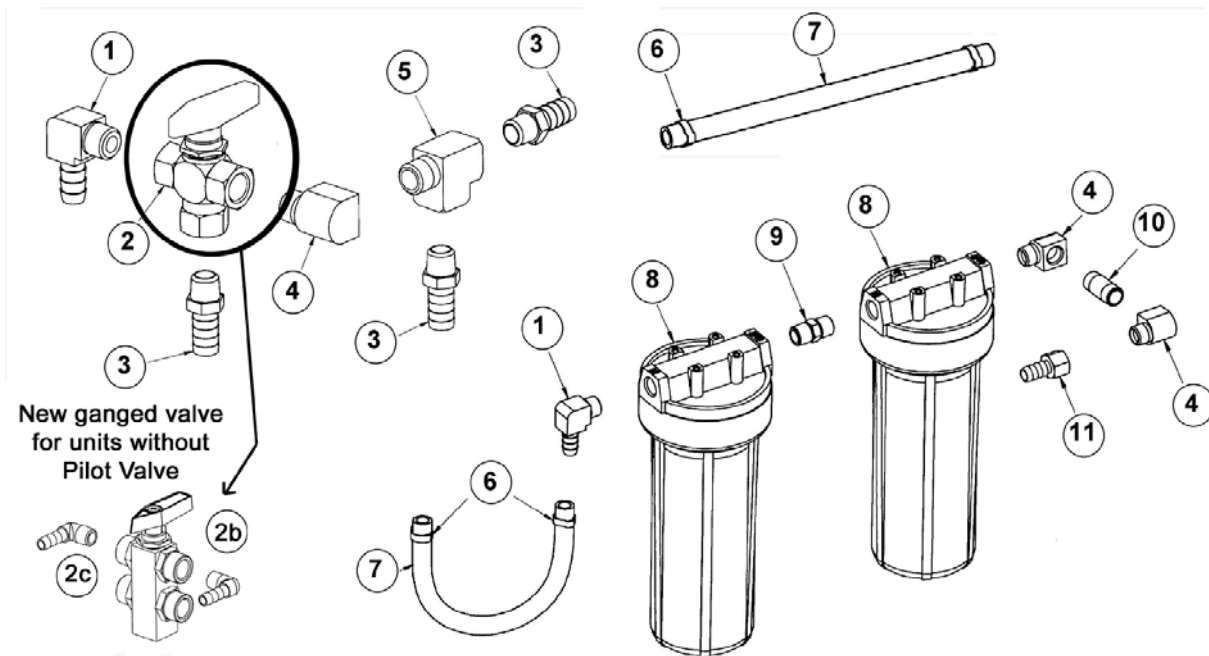
ITEM	DESCRIPTION	PART NUMBER	ITEM	DESCRIPTION	PART NUMBER
1	Hose Assembly, Supply	EAA0196L49AR	4d	Quick Disconnect	AHC21M
1a	Quick Connect, Female	1-22980	5	Vacuum Pump, Venturi	EAA0196L42A
1b	Valve, Plastic, Ball	1-8181	5b	Muffler, Vacuum Pump	1-25581A
1c	Fitting, 1/2"	1-4379	6	Tubing	5W3335-265
1d	Clamp, Hose	1-2382	7	Strain Relief	8-6519
1e	Hose, Braided	5-4635-1320	8	Suction Wand	EAA0196L47AR
2	Hose Assembly, Recovery	EAA0196L45AR	9	Tubing	5W3335-265
2a	Hose, Braided	5-5635-1200	10	Tee Fitting, Plastic	
2b	Strainer, In-line	1-28680	11	Clamp, Hose, 9/16 - 1-1/16"	1-2282
2c	Hose, Braided	5-5635-185	12	Clamp, Hose, 1/4-7/8"	1-1482
3	Hose Assembly, Drain	EAA0196L25A	13	Hose, Re-enforced	5-05835A-200
3a	Hose, Braided	5-4635-960	14	Valve, Pilot	EAA0196L60B
3b	Fitting, Barbed, 1/2"	1-5279	15	Hose Assembly, Flush	EAA0196L63
3c	Hose, Braided	5-4635-123	15a	Hose, only	5-4635-300
4	Valve Assembly, Air	EAA0196L40AR	15b	Fitting, garden hose connector	1-31380
4a	Nipple, 1/8	1-14280	15c	Valve, Ball	1-8181
4b	Elbow, 90°	1-13780	15d	Fitting, 3/8 FPT x 1/2 Barb	1-5279
4c	Valve, Ball	1-14481	15e	Clamp, hose, one ear, 7/8"	1-02982

TANK DETAIL



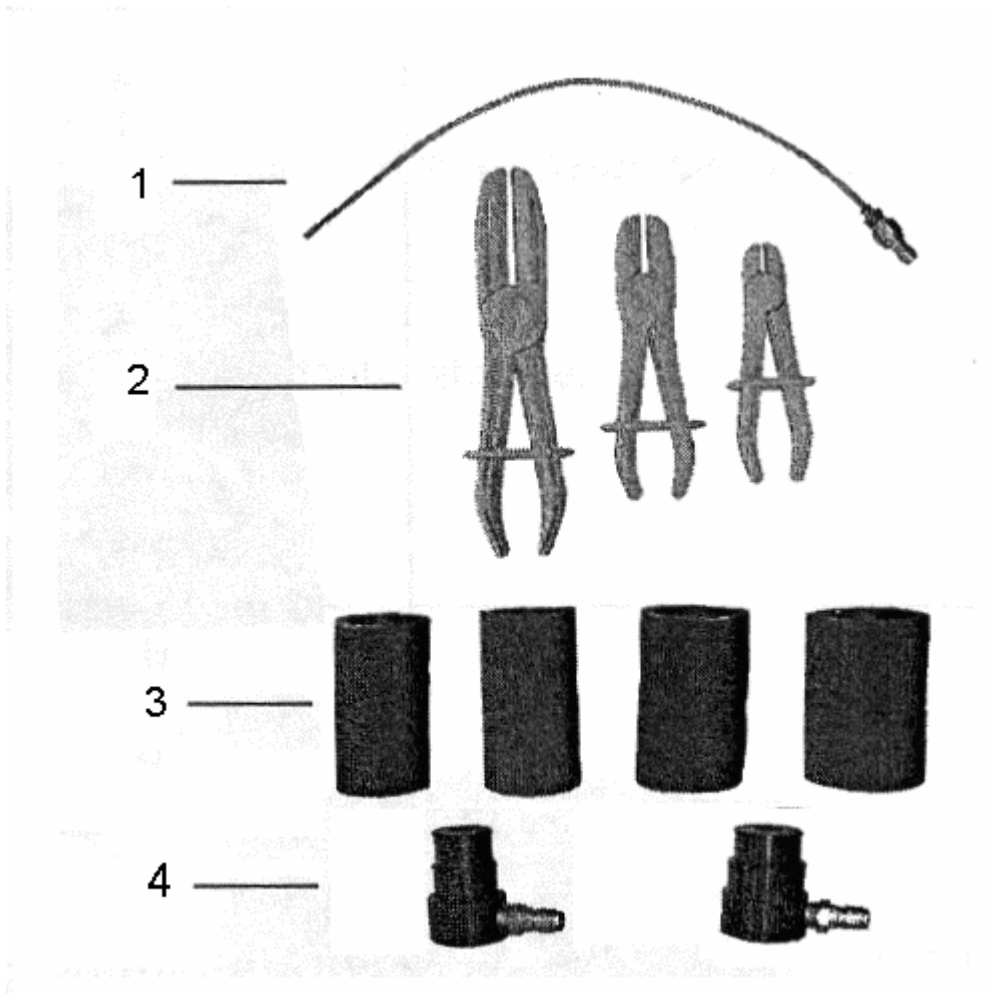
ITEM	DESCRIPTION	PART NUMBER	ITEM	DESCRIPTION	PART NUMBER
1	Fitting, 1/2"	1-4379	12	Tubing	5-4535-045
2	Elbow, 45°	1-29080	13	Tee	1-22880
3	Tee	1-28980	14	Fitting, 1/2"	1-4979
4	Fitting, Barbed, 3/8"	1-5379	15	Fitting, 1/4"	1-26780
5	Clamp, Hose	1-2582	16	Valve, Relief, 30 PSI	1-15481
6	Tubing	5-4535-060	17	Valve Assy., Check	EAA0196L35AR
7	Elbow, 3/8"	1-5979	18	Pipe, Fill	1-28780
8	Tank, Recovery	1-3885	19	Fitting, 1/4"	1-5579
9	Tube, Sight	5-4535-260	20	Tee, Cross	1-23180
10	Nipple, 1/4"	1-2280	21	Tank, Supply	1-4085
11	Ball, Check, 5/16"	1-13081			

RECYCLE KIT (EAK0239L01B)



ITEM	DESCRIPTION	PART NUMBER	ITEM	DESCRIPTION	PART NUMBER
1	Fitting, 90°	1-5079	7	Tubing	5-4635-123
2	Valve, 3-way (old)	1-12581	8	Filter Housing	1W12681
2b	Valve, 3-way (new, see page 1-1)	1-22181A	9	Fitting, Hex	1-25980
2c	Fitting, 90° elbow	1-5679	10	Fitting, Threaded	1-25680
3	Fitting, Barbed	1-4179	11	Fitting, Barbed	1-5279
4	Fitting, Elbow	1-24080	NS	Filter, 20 Microns	1-12781A
5	Tee	1-23780	NS	Filter, 5 Microns	1-12881
6	Clamp, Hose	1-2382	NS	Wrench, Filter Bowl	8-750

ACCESSORIES



ITEM	DESCRIPTION	PART NUMBER	ITEM	DESCRIPTION	PART NUMBER
1	Suction Wand	EAA0196L47A	3c	Adapter Hose, 1-1/2"	5-5035-030
2a	Pliers, Hose, Large	8-850	3d	Adapter Hose, 1-3/4"	5-5135-030
2b	Pliers, Hose, Medium	8-950	4a	Adapter, 1-1/4" to 1-3/8"	EAA0195L26A
2c	Pliers, Hose, Small	8-1150	4b	Adapter, 1-1/2" to 1-3/4"	EAA0195L27A
3a	Adapter Hose, 1-1/4"	5-4835-030	N/S	Adapter(small neck: 1-1/8")	EAA0195L31AR
3b	Adapter Hose, 1-3/8"	5-4935-030	N/S	Honda Kit (optional)	EAK0239L09A

KIT, EXPANDED ADAPTER EAK0239L02A (NOT SHOWN) contains the following:

SIZE	ADAPTER	HOSE	CLAMP
2"	EAA0195L22AR	5-5335-030	1-2182
2 1/4"	EAA0195L23AR	5-5435-030	1-2482
2 1/2"	EAA0195L24AR	5-5535-030	1-2482

PARTS IN ALPHABETICAL ORDER

DESCRIPTION	PART NUMBER	COMMENTS
Adapter Hose, 1-1/2"	5-5035-030	Page 7, Item 3c
Adapter Hose, 1-1/4"	5-4835-030	Page 7, Item 3a
Adapter Hose, 1-3/4"	5-5135-030	Page 7, Item 3d
Adapter Hose, 1-3/8"	5-4935-030	Page 7, Item 3b
Adapter Kit, Expanded	EAK0239L02A	See Page 7 for breakdown
Adapter(small neck: 1-1/8")	EAA0195L31AR	Page 7, Item not shown
Adapter, 1-1/2" to 1-3/4"	EAA0195L27A	Page 7, Item 4b
Adapter, 1-1/4" to 1-3/8"	EAA0195L26A	Page 7, Item 4a
Ball, Check, 5/16"	1-13081	Page 5, Item 11
Bracket, Tank Mounting	EAS2009L46A	Page 2, Item 22
Cabinet, Sun	EAC0057L07A	Page 2, Item 6a
Cabinet, White	EAC0057L04A	Page 2, Item 6
Cap	1-23380	Page 2, Item 11
Cap, Hub	8-11539	Page 2, Item 2b
Caster, 4" w/Brake	3645-0056-02	Page 2, Item 1
Clamp, Hose	1-2382	Page 4, Item 1d
Clamp, Hose	1-2582	Page 5, Item 5
Clamp, Hose	1-2382	Page 6, Item 6
Clamp, Hose, 1/4" 7/8"	1-1482	Page 3, Item not shown
Clamp, Hose, 3/4" OD	1-2382	Page 2, Item 8a
Clamp, Hose, 1/4-7/8"	1-1482	Page 4, Item 12
Clamp, Hose, 9/16 - 1-1/16"	1-2282	Page 4, Item 11
Clamp, hose, one ear, 7/8"	1-02982	Page 4, Item 15e
Cover	EAC0057L06A	Page 2, Item 13
Elbow, 3/8"	1-5979	Page 5, Item 7
Elbow, 45°	1-29080	Page 5, Item 2
Elbow, 90°	1-5679	Page 3, Item 3b
Elbow, 90°	1-13780	Page 4, Item 4b
Elbow, 90°, 1/2" OD	1-7379	Page 2, Item 8b
Filter Housing	1W12681	Page 6, Item 8
Filter, 20 Microns	1-12781A	Page 6, Item not shown
Filter, 5 Microns	1-12881	Page 6, Item not shown
Fitting, 1/4"	1-26780	Page 5, Item 15
Fitting, 1/4"	1-5579	Page 5, Item 19
Fitting, 1/2"	1-4379	Page 4, Item 1c
Fitting, 1/2"	1-4379	Page 5, Item 1
Fitting, 1/2"	1-4979	Page 5, Item 14
Fitting, 3/8 FPT x 1/2 Barb	1-5279	Page 4, Item 15d
Fitting, 90°	1-5079	Page 6, Item 1
Fitting, 90° elbow	1-5679	Page 6, Item 2c
Fitting, Barb	1-1048	Page 3, Item 2b
Fitting, Barbed	1-4179	Page 6, Item 3
Fitting, Barbed	1-5279	Page 6, Item 11
Fitting, Barbed, 1/4 NPT x 1/2"	1-4379	Page 2, Item 15
Fitting, Barbed, 1/4"	1-26780	Page 3, Item 7
Fitting, Barbed, 1/4"	1-5579	Page 3, Item 10
Fitting, Barbed, 1/2"	1-14581	Page 3, Item 8
Fitting, Barbed, 1/2"	1-4379	Page 3, Item 11
Fitting, Barbed, 1/2"	1-5279	Page 4, Item 3b
Fitting, Barbed, 3/8"	1-5379	Page 5, Item 4
Fitting, Barbed, 90°	1-4979	Page 2, Item 17
Fitting, Bulkhead	1-11180	Page 2, Item 16
Fitting, Cross Tee	1-23180	Page 3, Item 13

<u>DESCRIPTION</u>	<u>PART NUMBER</u>	<u>COMMENTS</u>
Fitting, Elbow	1-24080	Page 6, Item 4
Fitting, garden hose connector	1-31380	Page 4, Item 15b
Fitting, Hex	1-25980	Page 6, Item 9
Fitting, Hex Nipple, ¼ NPT	1-2280	Page 3, Item 14
Fitting, Threaded	1-25680	Page 6, Item 10
Gauge Assembly	EAA0196L39AR	Page 3, Item 2
Gauge, only	8-3720	Page 3, Item 2a
Grommet, 2"	8-7016	Page 2, Item 9
Honda Kit (optional)	EAK0239L09A	Page 7, Item not shown
Hose Assembly, Drain	EAA0196L25A	Page 4, Item 3
Hose Assembly, Flush	EAA0196L63	Page 4, Item 15
Hose Assembly, Recovery	EAA0196L45AR	Page 4, Item 2
Hose Assembly, Supply	EAA0196L49AR	Page 4, Item 1
Hose, Braided	5-4635-1320	Page 4, Item 1e
Hose, Braided	5-5635-1200	Page 4, Item 2a
Hose, Braided	5-5635-185	Page 4, Item 2c
Hose, Braided	5-4635-960	Page 4, Item 3a
Hose, Braided	5-4635-123	Page 4, Item 3c
Hose, Braided, ½" ID	5-4635-058	Page 2, Item 8c
Hose, Braided, ½" ID	5-4635-480	Page 2, Item 8d
Hose, Braided, ½" ID	5-4635-070	Page 2, Item 14
Hose, Braided, ½" ID	5-4635-060	Page 2, Item 18
Hose, only	5-4635-300	Page 4, Item 15a
Hose, Re-enforced	5-05835A-200	Page 4, Item 13
Label, Control Panel (A models/ w/o water flush)	EAL0275L45A	Page 3, Item 1a
Label, Control Panel (B/C models w/ water flush)	EAL0275L46A	Page 3, Item 1b
Label, Cool X	EAL0275L42A	Page 2, Item 5
Label, Sun Coolant Exch.	EAL0275L48A	Page 2, Item 5a
Level Indicator, Recovery	EAL0275L41A	Page 2, Item 3
Level Indicator, Supply	EAL0275L40A	Page 2, Item 4
Muffler, Vacuum Pump	1-25581A	Page 4, Item 5b
Nipple, ¼"	1-2280	Page 5, Item 10
Nipple, 1/8	1-14280	Page 4, Item 4a
Nut, metal (regulator)	1-15281-1	Page 3, Item 3c
Panel, Control, w/o label	EAS2009L53A	Page 3, Item 12
Pipe, Fill	1-28780	Page 5, Item 18
Plate, Base, Mounting	EAS2009L54A	Page 2, Item 23
Pliers, Hose, Large	8-850	Page 7, Item 2a
Pliers, Hose, Medium	8-950	Page 7, Item 2b
Pliers, Hose, Small	8-1150	Page 7, Item 2c
Quick Connect, Female	1-22980	Page 4, Item 1a
Quick Disconnect	AHC21M	Page 4, Item 4d
Regulator Assembly	EAA0196L38AR	Page 3, Item 3
Regulator, Air	1-15281	Page 3, Item 3a
Rivet, Plastic	1-15358A	Page 2, Item 20
Rivet, Plastic	1-14958	Page 3, Item not shown
Rivet, Tree	1-3658	Page 2, Item 19
Screen, 1 ¾"	1-14681	Page 2, Item 10
Screw, Cap	1-4009	Page 2, Item 21
Strain Relief	8-6519	Page 4, Item 7
Strainer, In-line	1-28680	Page 4, Item 2b
Suction Wand	EAA0196L47AR	Page 4, Item 8
Suction Wand	EAA0196L47A	Page 7, Item 1
Tank, Recovery	1-3885	Page 5, Item 8

DF-1000 PARTS REFERENCE

<u>DESCRIPTION</u>	<u>PART NUMBER</u>	<u>COMMENTS</u>
Tank, Supply	1-4085	Page 5, Item 21
Tee	1-26880	Page 3, Item 9
Tee	1-28980	Page 5, Item 3
Tee	1-22880	Page 5, Item 13
Tee	1-23780	Page 6, Item 5
Tee, Cross	1-23180	Page 5, Item 20
Tube, Sight	5-4535-260	Page 5, Item 9
Tubing	5W3335-080	Page 3, Item 4
Tubing	5W3335-130	Page 3, Item 5
Tubing	5W3335-265	Page 4, Item 6
Tubing	5W3335-265	Page 4, Item 9
Tubing	5-4535-060	Page 5, Item 6
Tubing	5-4535-045	Page 5, Item 12
Tubing	5-4635-123	Page 6, Item 7
Vacuum Pump, Venturi	EAA0196L42A	Page 4, Item 5
Valve Assembly, Air	EAA0196L40AR	Page 4, Item 4
Valve Assy., Check	EAA0196L35AR	Page 5, Item 17
Valve, 3-Way	1-14581	Page 3, Item 6
Valve, 3-way (new, see page 1-1)	1-22181A	Page 6, Item 2b
Valve, 3-way (old)	1-12581	Page 6, Item 2
Valve, Ball	1-14481	Page 4, Item 4c
Valve, Ball	1-8181	Page 4, Item 15c
Valve, Pilot	EAA0196L60B	Page 4, Item 14
Valve, Plastic, Ball	1-8181	Page 4, Item 1b
Valve, Relief, 30 PSI	1-15481	Page 5, Item 16
Wheel, 10"	8-21539	Page 2, Item 2a
Wrench, Filter Bowl	8-750	Page 6, Item not shown

PARTS IN NUMERICAL ORDER

PART NUMBER	DESCRIPTION	COMMENTS
1-02982	Clamp, hose, one ear, 7/8"	Page 4, Item 15e
1-1048	Fitting, Barb	Page 3, Item 2b
1-11180	Fitting, Bulkhead	Page 2, Item 16
1-12581	Valve, 3-way (old)	Page 6, Item 2
1-12781A	Filter, 20 Microns	Page 6, Item not shown
1-12881	Filter, 5 Microns	Page 6, Item not shown
1-13081	Ball, Check, 5/16"	Page 5, Item 11
1-13780	Elbow, 90°	Page 4, Item 4b
1-14280	Nipple, 1/8	Page 4, Item 4a
1-14481	Valve, Ball	Page 4, Item 4c
1-14581	Fitting, Barbed, 1/2"	Page 3, Item 8
1-14581	Valve, 3-Way	Page 3, Item 6
1-14681	Screen, 1 3/4"	Page 2, Item 10
1-1482	Clamp, Hose, 1/4" 7/8"	Page 3, Item not shown
1-1482	Clamp, Hose, 1/4-7/8"	Page 4, Item 12
1-14958	Rivet, Plastic	Page 3, Item not shown
1-15281	Regulator, Air	Page 3, Item 3a
1-15281-1	Nut, metal (regulator)	Page 3, Item 3c
1-15358A	Rivet, Plastic	Page 2, Item 20
1-15481	Valve, Relief, 30 PSI	Page 5, Item 16
1-22181A	Valve, 3-way (new, see page 1-1)	Page 6, Item 2b
1-2280	Fitting, Hex Nipple, 1/4 NPT	Page 3, Item 14
1-2280	Nipple, 1/4"	Page 5, Item 10
1-2282	Clamp, Hose, 9/16 - 1-1/16"	Page 4, Item 11
1-22880	Tee	Page 5, Item 13
1-22980	Quick Connect, Female	Page 4, Item 1a
1-23180	Fitting, Cross Tee	Page 3, Item 13
1-23180	Tee, Cross	Page 5, Item 20
1-23380	Cap	Page 2, Item 11
1-23780	Tee	Page 6, Item 5
1-2382	Clamp, Hose	Page 4, Item 1d
1-2382	Clamp, Hose	Page 6, Item 6
1-2382	Clamp, Hose, 3/4" OD	Page 2, Item 8a
1-24080	Fitting, Elbow	Page 6, Item 4
1-25581A	Muffler, Vacuum Pump	Page 4, Item 5b
1-25680	Fitting, Threaded	Page 6, Item 10
1-2582	Clamp, Hose	Page 5, Item 5
1-25980	Fitting, Hex	Page 6, Item 9
1-26780	Fitting, 1/4"	Page 5, Item 15
1-26780	Fitting, Barbed, 1/4"	Page 3, Item 7
1-26880	Tee	Page 3, Item 9
1-28680	Strainer, In-line	Page 4, Item 2b
1-28780	Pipe, Fill	Page 5, Item 18
1-28980	Tee	Page 5, Item 3
1-29080	Elbow, 45°	Page 5, Item 2
1-31380	Fitting, garden hose connector	Page 4, Item 15b
1-3658	Rivet, Tree	Page 2, Item 19
1-3885	Tank, Recovery	Page 5, Item 8
1-4009	Screw, Cap	Page 2, Item 21
1-4085	Tank, Supply	Page 5, Item 21
1-4179	Fitting, Barbed	Page 6, Item 3
1-4379	Fitting, 1/2"	Page 4, Item 1c
1-4379	Fitting, 1/2"	Page 5, Item 1

DF-1000 PARTS REFERENCE

<u>PART NUMBER</u>	<u>DESCRIPTION</u>	<u>COMMENTS</u>
1-4379	Fitting, Barbed, ¼ NPT x ½"	Page 2, Item 15
1-4379	Fitting, Barbed, ½"	Page 3, Item 11
1-4979	Fitting, ½"	Page 5, Item 14
1-4979	Fitting, Barbed, 90°	Page 2, Item 17
1-5079	Fitting, 90°	Page 6, Item 1
1-5279	Fitting, 3/8 FPT x ½ Barb	Page 4, Item 15d
1-5279	Fitting, Barbed	Page 6, Item 11
1-5279	Fitting, Barbed, ½"	Page 4, Item 3b
1-5379	Fitting, Barbed, 3/8"	Page 5, Item 4
1-5579	Fitting, ¼"	Page 5, Item 19
1-5579	Fitting, Barbed, ¼"	Page 3, Item 10
1-5679	Elbow, 90°	Page 3, Item 3b
1-5679	Fitting, 90° elbow	Page 6, Item 2c
1-5979	Elbow, 3/8"	Page 5, Item 7
1-7379	Elbow, 90°, ½" OD	Page 2, Item 8b
1-8181	Valve, Ball	Page 4, Item 15c
1-8181	Valve, Plastic, Ball	Page 4, Item 1b
1W12681	Filter Housing	Page 6, Item 8
3645-0056-02	Caster, 4" w/Brake	Page 2, Item 1
5-05835A-200	Hose, Re-enforced	Page 4, Item 13
5-4535-045	Tubing	Page 5, Item 12
5-4535-060	Tubing	Page 5, Item 6
5-4535-260	Tube, Sight	Page 5, Item 9
5-4635-058	Hose, Braided, ½" ID	Page 2, Item 8c
5-4635-060	Hose, Braided, ½" ID	Page 2, Item 18
5-4635-070	Hose, Braided, ½" ID	Page 2, Item 14
5-4635-123	Hose, Braided	Page 4, Item 3c
5-4635-123	Tubing	Page 6, Item 7
5-4635-1320	Hose, Braided	Page 4, Item 1e
5-4635-300	Hose, only	Page 4, Item 15a
5-4635-480	Hose, Braided, ½" ID	Page 2, Item 8d
5-4635-960	Hose, Braided	Page 4, Item 3a
5-4835-030	Adapter Hose, 1-1/4"	Page 7, Item 3a
5-4935-030	Adapter Hose, 1-3/8"	Page 7, Item 3b
5-5035-030	Adapter Hose, 1-1/2"	Page 7, Item 3c
5-5135-030	Adapter Hose, 1-3/4"	Page 7, Item 3d
5-5635-1200	Hose, Braided	Page 4, Item 2a
5-5635-185	Hose, Braided	Page 4, Item 2c
5W3335-080	Tubing	Page 3, Item 4
5W3335-130	Tubing	Page 3, Item 5
5W3335-265	Tubing	Page 4, Item 6
5W3335-265	Tubing	Page 4, Item 9
8-1150	Pliers, Hose, Small	Page 7, Item 2c
8-11539	Cap, Hub	Page 2, Item 2b
8-21539	Wheel, 10"	Page 2, Item 2a
8-3720	Gauge, only	Page 3, Item 2a
8-6519	Strain Relief	Page 4, Item 7
8-7016	Grommet, 2"	Page 2, Item 9
8-750	Wrench, Filter Bowl	Page 6, Item not shown
8-850	Pliers, Hose, Large	Page 7, Item 2a
8-950	Pliers, Hose, Medium	Page 7, Item 2b
AHC21M	Quick Disconnect	Page 4, Item 4d
EAA0195L26A	Adapter, 1-1/4" to 1-3/8"	Page 7, Item 4a
EAA0195L27A	Adapter, 1-1/2" to 1-3/4"	Page 7, Item 4b
EAA0195L31AR	Adapter(small neck: 1-1/8")	Page 7, Item not shown
EAA0196L25A	Hose Assembly, Drain	Page 4, Item 3
EAA0196L35AR	Valve Assy., Check	Page 5, Item 17

PART NUMBER	DESCRIPTION	COMMENTS
EAA0196L38AR	Regulator Assembly	Page 3, Item 3
EAA0196L39AR	Gauge Assembly	Page 3, Item 2
EAA0196L40AR	Valve Assembly, Air	Page 4, Item 4
EAA0196L42A	Vacuum Pump, Venturi	Page 4, Item 5
EAA0196L45AR	Hose Assembly, Recovery	Page 4, Item 2
EAA0196L47A	Suction Wand	Page 7, Item 1
EAA0196L47AR	Suction Wand	Page 4, Item 8
EAA0196L49AR	Hose Assembly, Supply	Page 4, Item 1
EAA0196L60B	Valve, Pilot	Page 4, Item 14
EAA0196L63	Hose Assembly, Flush	Page 4, Item 15
EAC0057L04A	Cabinet, White	Page 2, Item 6
EAC0057L06A	Cover	Page 2, Item 13
EAC0057L07A	Cabinet, Sun	Page 2, Item 6a
EAK0239L02A	Adapter Kit, Expanded	See Page 7 for breakdown
EAK0239L09A	Honda Kit (optional)	Page 7, Item not shown
EAL0275L40A	Level Indicator, Supply	Page 2, Item 4
EAL0275L41A	Level Indicator, Recovery	Page 2, Item 3
EAL0275L42A	Label, Cool X	Page 2, Item 5
EAL0275L45A	Label, Control Panel (A models/ w/o water flush)	Page 3, Item 1a
EAL0275L46A	Label, Control Panel (B/C models w/ water flush)	Page 3, Item 1b
EAL0275L48A	Label, Sun Coolant Exch.	Page 2, Item 5a
EAS2009L46A	Bracket, Tank Mounting	Page 2, Item 22
EAS2009L53A	Panel, Control, w/o label	Page 3, Item 12
EAS2009L54A	Plate, Base, Mounting	Page 2, Item 23

EQUIPMENT SERVICE ON SITE



355 EXCHANGE AVE
CONWAY, ARKANSAS 72032